

SIDE BY SIDE

Model:

HSBS-HM505MDSINFDXE++



- Total capacity: 505 L
- Energy class: E

HEINNER

1. INTRODUCTION

Please read the instructions carefully and keep the manual for future information.

This manual is designed to give all necessary instructions concerning installation, use and maintenance of the unit. In order to operate the unit correctly and safely, please read this instruction manual carefully before installation and use.

2. CONTENT OF YOUR PACKAGE

- ➔ **Side by side**
- ➔ **User manual**
- ➔ **Certificate of warranty**

3. SAFETY INFORMATION

In the interest of your safety and to ensure the correct use, before installing and first using the appliance, read this user manual carefully, including its hints and warnings. To avoid unnecessary mistakes and accidents, it is important to ensure that all people using the appliance are thoroughly familiar with its operation and safety features. Save these instructions and make sure that they remain with the appliance if it is moved or sold, so that everyone using it through its life will be properly informed on appliance use and safety. For the safety of life and property keep the precautions of these user's instructions as the manufacturer is not responsible for damages caused by omission.

Children and vulnerable people safety

- This appliance can be used by children aged from 8 years and above and persons with reduced physical, sensory, or mental capabilities or lack of experience and knowledge if they have been given supervision or instruction concerning use of the appliance in a safe way and understand the hazards involved.
- Children aged from 3 to 8 years are allowed to load and unload refrigerating appliances.
- Children should be supervised to ensure that they do not play with the appliance.
- Cleaning and user maintenance shall not be made by children unless they are aged from 8 years and above and supervised.
- Keep all packaging well away from children. There is risk of suffocation.
- If you are discarding the appliance pull the plug out of the socket, cut the connection cable (as close to the appliance as you can) and remove the door to prevent playing children to suffer electric shock or to close themselves into it.
- If this appliance featuring magnetic door seals is to replace an older appliance having a spring lock (latch) on the door or lid, be sure to make that spring lock unusable before you discard the old appliance. This will prevent it from becoming a death trap for a child.

General safety

WARNING! Keep ventilation openings, in the appliance enclosure or in the built-in structure, clear of obstruction.

WARNING! Do not use mechanical devices or other means to accelerate the defrosting process, other than those recommended by the manufacturer.

WARNING! Do not damage the refrigerant circuit.

WARNING! Do not use other electrical appliances (such as ice cream makers) inside of refrigerating appliances unless they are approved for this purpose by the manufacture.

WARNING! Do not touch the light bulb if it has been on for a long period of time because it could be very hot.

WARNING! When positioning the appliance, ensure the supply cord is not trapped or damaged.

WARNING! Do not locate multiple portable socket-outlets or portable power supplies at the rear of the appliance.

WARNING! The refrigerant and insulation blowing gas are flammable. When disposing of the appliance, do so only at an authorized waste disposal centre. Do not expose to flame.

- Do not store explosive substances such as aerosol cans with a flammable propellant in this appliance.
- The refrigerant isobutane (R600a) is contained within the refrigerant circuit of the appliance, a natural gas with a high level of environmental compatibility, which is nevertheless flammable.
- During transportation and installation of the appliance, be certain that none of the components of the refrigerant circuit become damaged.
 - Avoid open flames and sources of ignition
 - Thoroughly ventilate the room in which the appliance is situated
- It is dangerous to alter the specifications or modify this product in any way. Any damage to the cord may cause a short circuit, fire and/or electric shock.
- This appliance is intended to be used in household and similar applications such as:
 - staff kitchen areas in shops, offices, and other working environments;
 - farmhouses and by clients in hotels, motels, and other residential type environments;
 - bed and breakfast type environments;
 - catering and similar non-retail applications.

WARNING! Any electrical components (plug, power cord, compressor and etc.) must be replaced by a certified service agent or qualified service personnel.

WARNING! The light bulb supplied with this appliance is a “special use lamp bulb” usable only with the appliance supplied. This “special use lamp” is not usable for domestic lighting.

WARNING! The illuminating lamps must not be replaced by the user! If the illuminating lamps is damaged, contact the customer helpline for assistance. This warning is only for refrigerators that contain illuminating lamps.

- Power cord must not be lengthened.
- Make sure that the power plug is not squashed or damaged by the back of the appliance. A squashed or damaged power plug may overheat and cause a fire.
- Make sure that you can come to the mains plug of the appliance.
- Do not pull the mains cable.
- If the power plug socket is loose, do not insert the power plug. There is a risk of electric shock or fire.
- You must not operate the appliance without the lamp.
- This appliance is heavy. Care should be taken when moving it.
- Do not remove nor touch items from the freezer compartment if your hands are damp/wet, as this could cause skin abrasions or frost/freezer burns.
- Avoid prolonged exposure of the appliance to direct sunlight.

Refrigerant

The refrigerant isobutene (R-600a) is contained within the refrigerant circuit of the appliance, a natural gas with a high level of environmental compatibility, which is nevertheless flammable. During transportation and installation of the appliance, ensure that none of the components of the refrigerant circuit becomes damaged. The refrigerant (R-600a) is flammable.

WARNING! Refrigerators contain refrigerant and gases in the insulation. Refrigerant and gases must be disposed of professionally as they may cause eye injuries or ignition.

Ensure that tubing of the refrigerant circuit is not damaged prior to proper disposal.



WARNING! Risk of fire

If the refrigerant circuit should be damaged:

- Avoid opening flames and sources of ignition.

- Thoroughly ventilate the room in which the appliance is situated.

Daily use

- Do not put hot objects on the plastic parts in the appliance.
- Do not place food products directly against the rear wall.
- Frozen food must not be re-frozen once it has been thawed out.
- Store pre-packed frozen food in accordance with the frozen food manufacturers instructions.
- Appliance's manufactures storage recommendations should be strictly adhered to. Refer to relevant instructions.
- Do not place carbonated or fizzy drinks in the freezer compartment as it creates pressure on the container, which may cause it to explode, resulting in damage to the appliance.
- Ice lollies can cause frost burns if consumed straight from the appliance. ¹⁾
- To avoid contamination of food, please respect the following instructions:
 - Opening the door for long periods can cause a significant increase of the temperature in the compartments of the appliance.
 - Clean regularly surfaces that can come in contact with food and accessible drainage systems.
 - Clean water tanks if they have not been used for 48 h; flush the water system connected to a water supply if water has not been drawn for 5 days.
 - Store raw meat and fish in suitable containers in the refrigerator, so that it is not in contact with or drip onto other food.
 - Two-star frozen-food compartments (if they are presented in the appliance) are suitable for storing pre-frozen food, storing, or making ice- cream and making ice cubes.
 - One-, two- and three-star compartments are not suitable for the freezing of fresh food.
 - If the appliance is left empty for long periods, switch off, defrost, clean, dry, and leave the door open to prevent mould developing within the appliance.

Care and cleaning

- Before maintenance, switch off the appliance and disconnect the mains plug from the mains socket.
- Do not clean the appliance with metal objects.
- Do not use sharp objects to remove frost from the appliance. Use a plastic scraper.
- Regularly examine the drain in the refrigerator for defrosted water. If necessary, clean the drain. If the drain is blocked, water will collect in the bottom of the appliance.

Installation

Important! For electrical connection carefully follow the instructions given in specific paragraphs.

- Unpack the appliance and check if there are damages on it. Do not connect the appliance if it is damaged. Report possible damages immediately to the place you bought it. In that case retain packing.
- It is advisable to wait at least four hours before connecting the appliance to allow the oil to flow back in the compressor.
- Adequate air circulation should be around the appliance, lacking this leads to overheating. To achieve sufficient ventilation, follow the instructions relevant to installation.
- Wherever possible the spacers of the product should be against a wall to avoid touching or catching warm parts (compressor, con-denser) to prevent possible burn.
- The appliance must not be located close to radiators or cookers.
- Make sure that the mains plug is accessible after the installation of the appliance.

Service


- Any electrical work required to do the servicing of the appliance should be carried out by a qualified electrician or competent person.
- This product must be serviced by an authorized Service Centre, and only genuine spare parts must be used.

Energy saving

- Don't put hot food in the appliance.
- Don't pack food close together as this prevents air circulating.
- Make sure food don't touch the back of the compartment(s).
- If electricity goes off, don't open the door(s).
- Don't open the door(s) frequently.
- Don't keep the door(s) open for too long time.
- Don't set the thermostat on exceeding cold temperatures.
- All accessories, such as drawers, shelves, door balconies should be kept in original place for lower energy consumption.

Environment protection

This appliance does not contain gasses which could damage the ozone layer, in either its refrigerant circuit or insulation materials. The appliance shall not be discarded together with the urban refuse and rubbish. The insulation foam contains flammable gases: the appliance shall be disposed according to the appliance regulations to obtain from your local authorities. Avoid damaging the cooling unit, especially the heat

exchanger. The materials used on this appliance marked by the symbol  are recyclable.

Packaging materials

The materials with the symbol are recyclable. Dispose the packaging in a suitable collection container to recycle it.

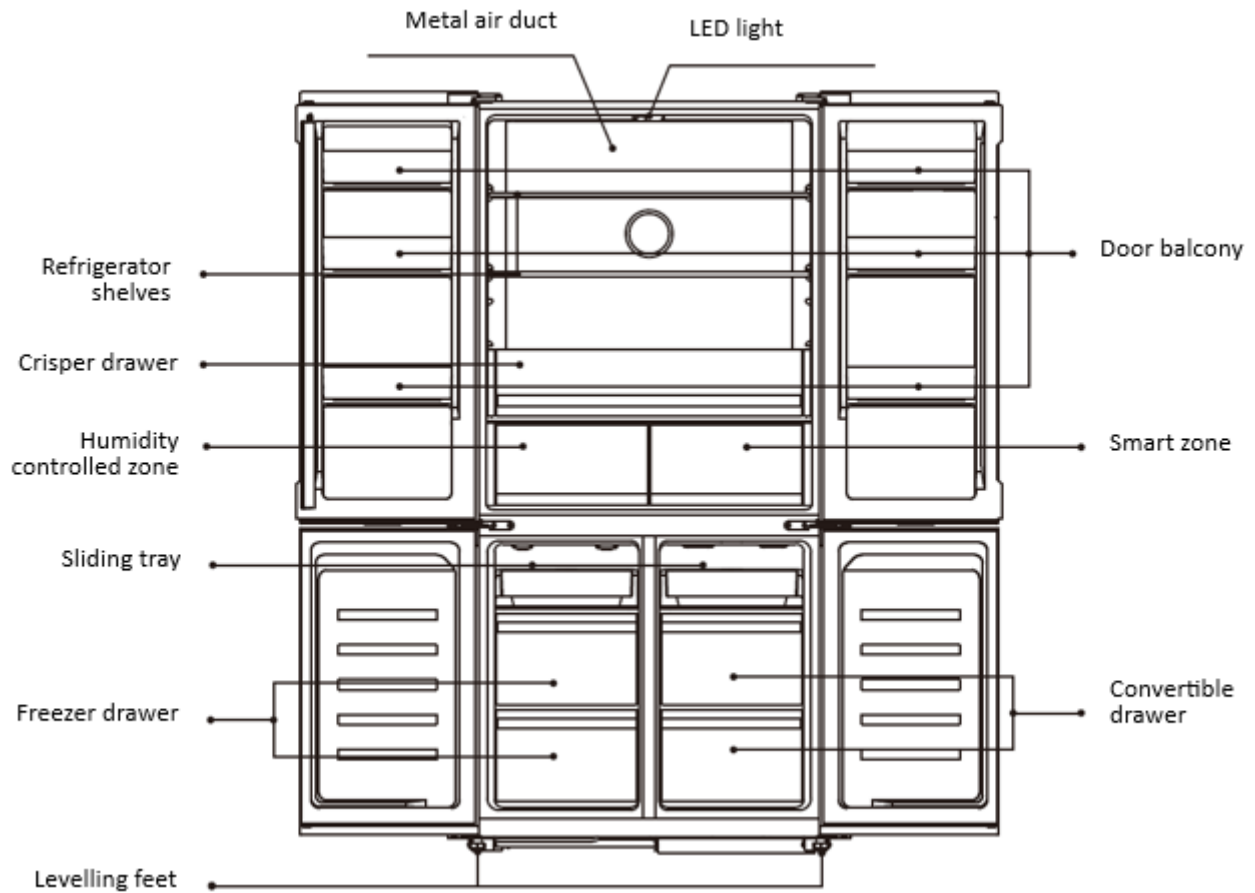
Disposal of the appliance

1. Disconnect the mains plug from the mains socket.
2. Cut off the mains cable and discard it.



Warning! During using, service and disposal the appliance, please pay attention to symbol similar as left side, which is located on rear of appliance (rear panel or compressor) and with yellow or orange colour. It's risk of fire warning symbol. There are flammable materials in refrigerant pipes and compressor. Please be far away from fire source during using, service and disposal.

4. PRODUCT DESCRIPTION



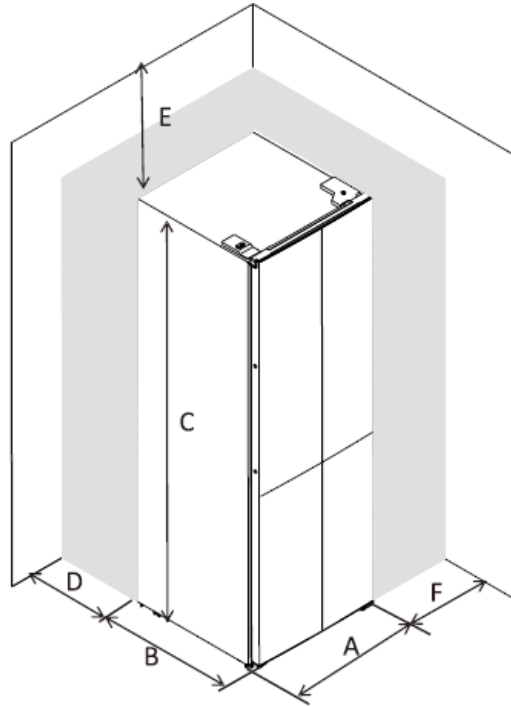
The illustrations in this manual are for information purposes only. As such, the actual product may differ slightly from that shown in the illustrations.

5. INSTALLATION

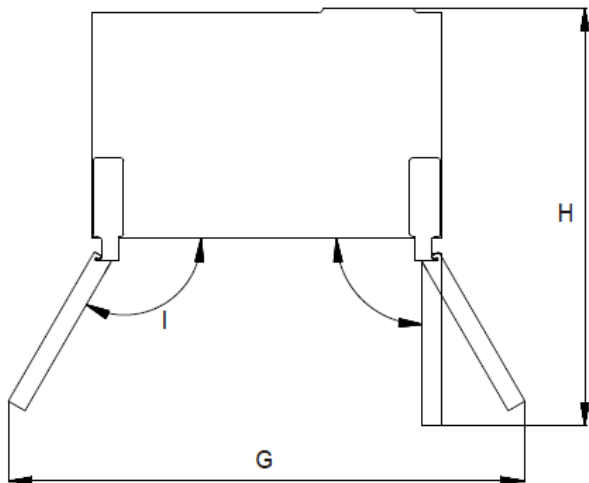
Space requirement

Keep enough space of door open.

Freestanding installation and slot-in installation have different maximum door opening angles.

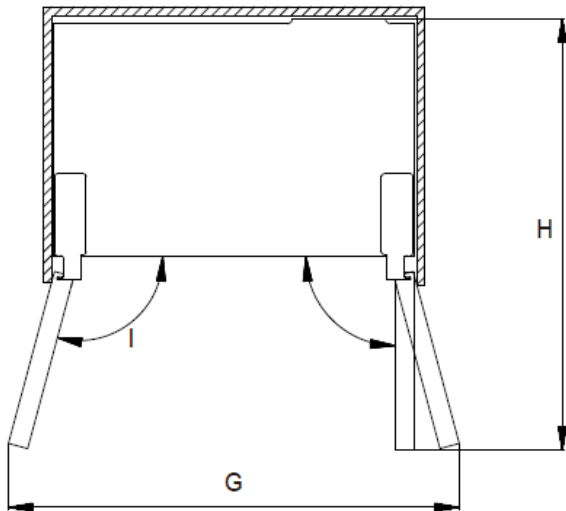


Freestanding installation



A	905
B	597
C	1902
D	3
E	6
F	6
G	1335
H	1020
I	120°

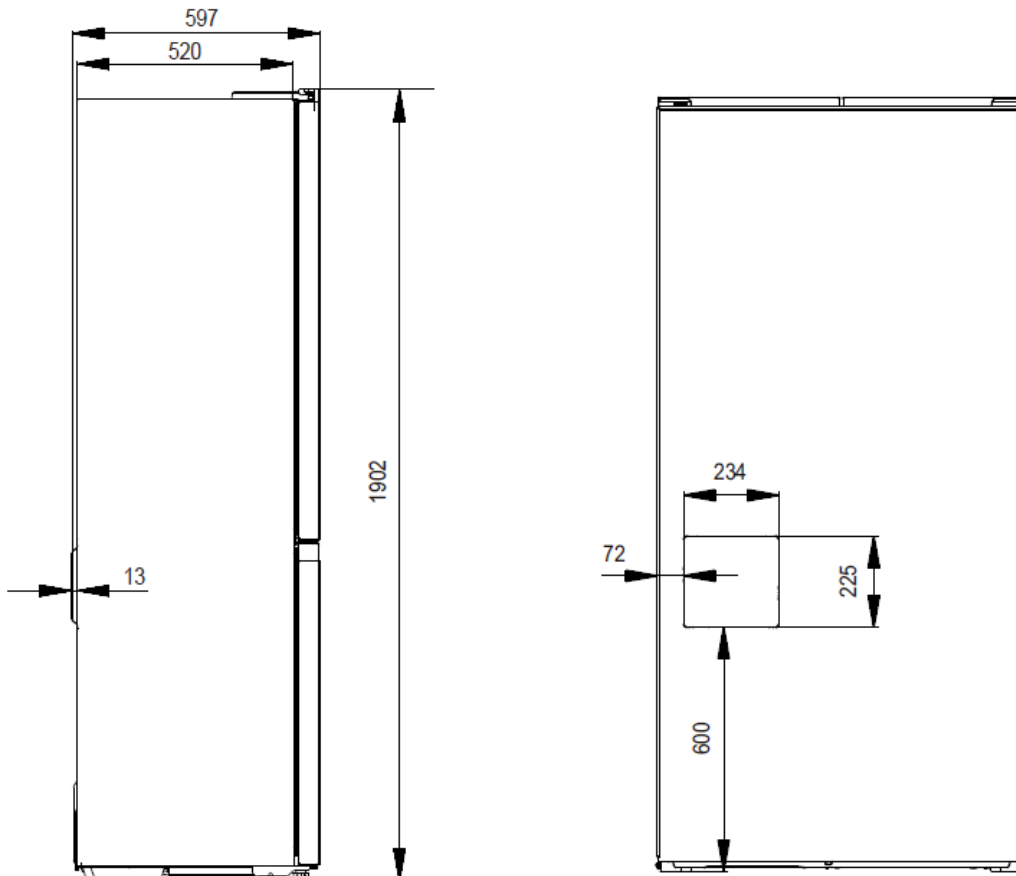
Slot-in installation



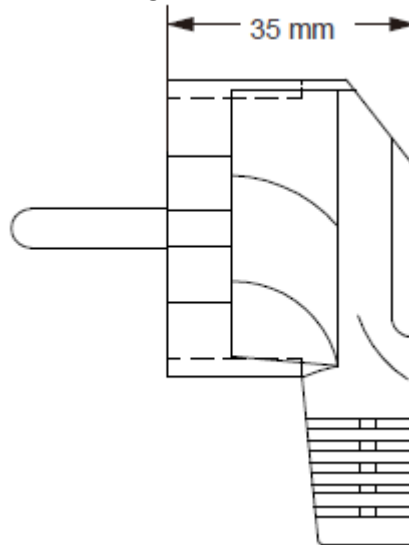
A	905
B	597
C	1902
D	3
E	6
F	6
G	1128
H	1020
I	105°

Hints about positional interference

1. The PCB cover is designed to ensure the correct distance between the back of the fridge and the wall, the closest position between the fridge and the wall is when the PCB cover touches the wall.
2. The position and dimension of the PCB cover as shown below, please consider the position of the electrical socket to avoid positional interference with the PCB cover.



3. The size of the plug is as shown below. Please consider the thickness of the plug and the electrical socket if the electrical socket is located behind the refrigerator.

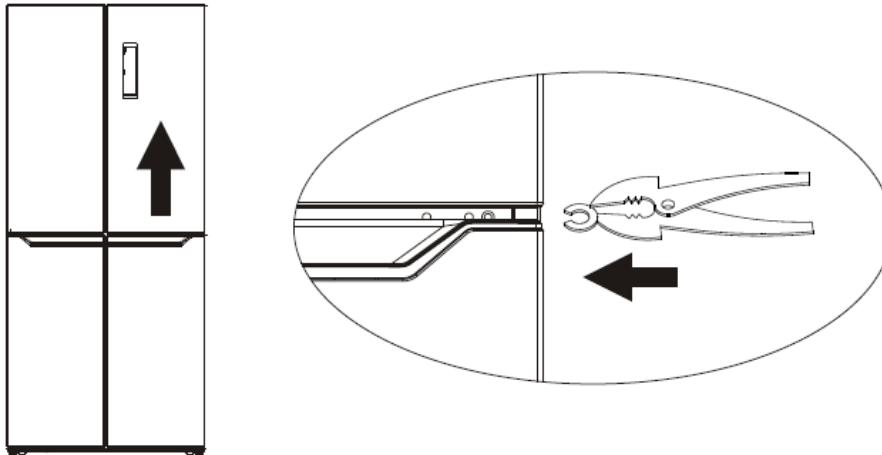


Alignment of doors

After transport or after the door balconies are loaded with food or drinks, the upper doors may not be level. Three Grower washers are used to adjust the doors. Please follow the procedure below for aligning the doors.



1. Before checking the alignment of the doors, make sure the appliance is positioned properly.
2. If the two upper doors are not aligned, lift the lower door a little and insert a Grower washer between the centre hinge and the bottom of the door.

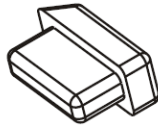


Warning! Take care that the door does not catch your fingers. Please use a tool.

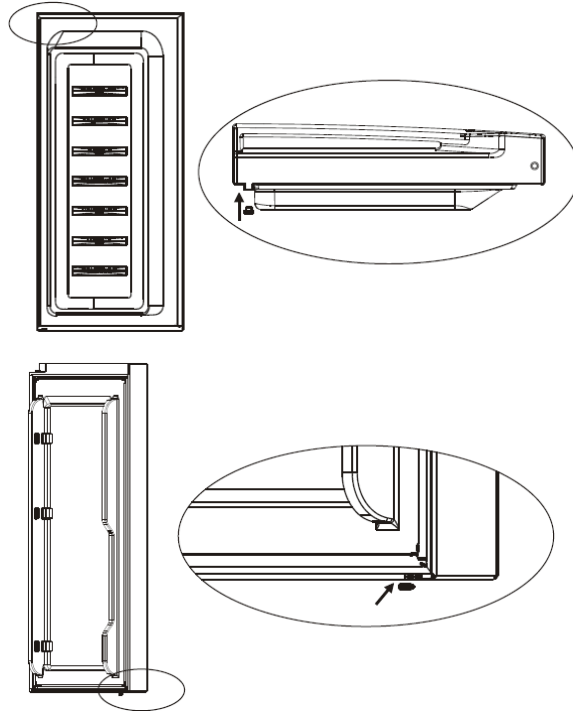
Warning! Do not leave Grower washers within reach of children to avoid their being swallowed by children. These are small components.

Rubber blocks

Each door is fitted with a rubber block. These reduce the intensity of the impact when the door closes.



Please do not pull the rubber blocks. If they are missing from the doors, please take the necessary blocks from the accessory bag and insert them into the specially provided holes on the doors.

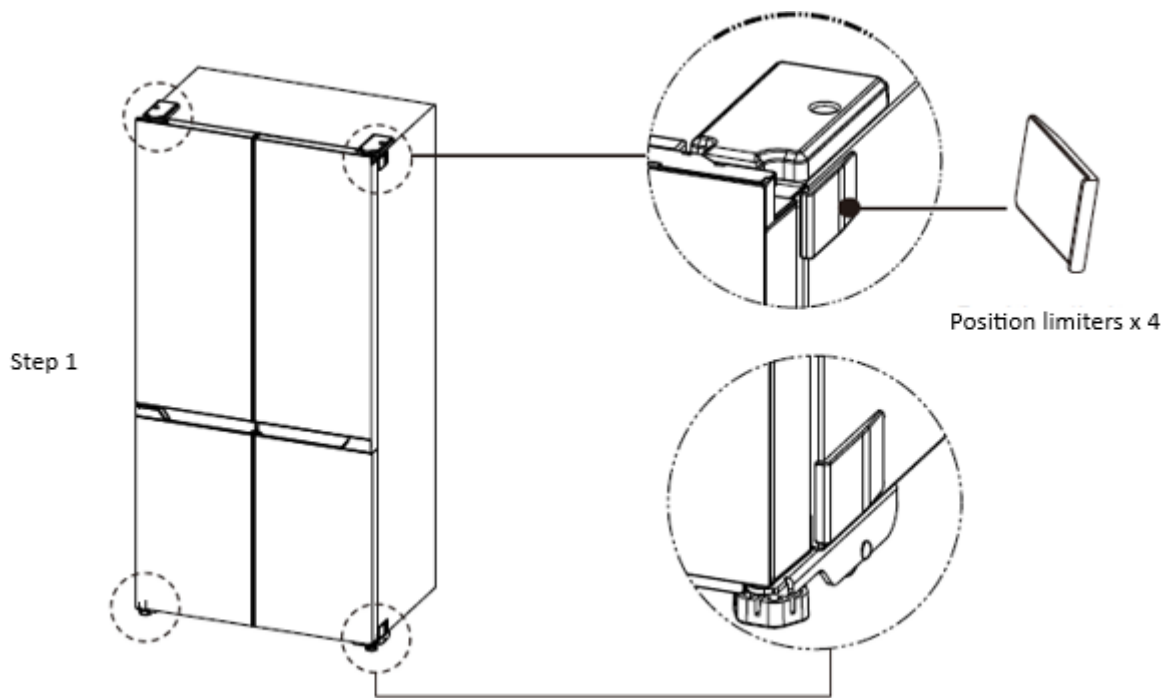


Warning! Do not leave rubber blocks within reach of children to avoid their being swallowed by children. These are small components.

1. Installation of position limiters

During daily use, it is possible that the appliance may move to some extent. To ensure that the appliance remains in the correct position in the cabinet, you can install the limiters before positioning the appliance in the cabinet.

- a) Remove the 4 position limiters from the accessory bag;
- b) Remove dust from the corners of the appliance;
- c) Remove the double-sided adhesive tape from the position limiter, align it with the corners of the appliance and stick it on.

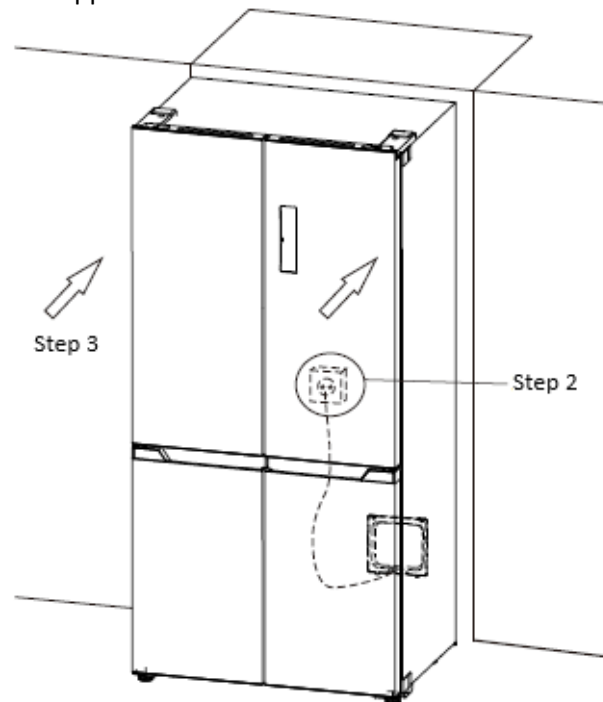


2. Connect the device to the power supply.

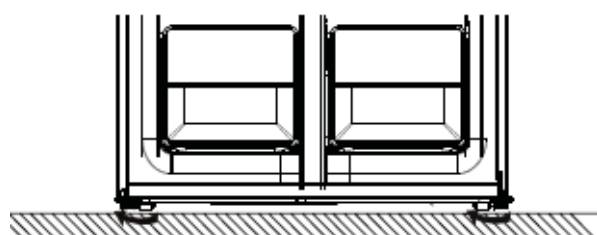
3. Push the appliance into the desired position.

The appliance has 4 wheels and 2 adjustable feet at the bottom. To prevent damage to the floor, please lift the adjustable feet before pushing the appliance.

4. Adjust the feet to stabilise the appliance.



Step 4



- The appliance can be balanced by adjusting the feet.
- Turn the legs clockwise by hand to lift them.
- Turn the legs anticlockwise by hand to lower them.

Positioning

Install this appliance at a location where the ambient temperature corresponds to the climate class indicated on the rating plate of the appliance:

For refrigerating appliances with climate class:

- extended temperate: this refrigerating appliance is intended to be used at ambient temperatures ranging from 10 °C to 32 °C (SN);
- temperate: this refrigerating appliance is intended to be used at ambient temperatures ranging from 16 °C to 32 °C (N);
- subtropical: this refrigerating appliance is intended to be used at ambient temperatures ranging from 16 °C to 38 °C (ST);
- tropical: this refrigerating appliance is intended to be used at ambient temperatures ranging from 16 °C to 43 °C (T).

Location

The appliance should be installed well away from sources of heat such as radiators, boilers, direct sunlight etc. Ensure that air can circulate freely around the back of the cabinet. To ensure best performance, if the appliance is positioned below an overhanging wall unit, the minimum distance between the top of the cabinet and the wall unit must be at least 100 mm. Ideally, however, the appliance should not be positioned below overhanging wall units. Accurate levelling is ensured by one or more adjustable feet at the base of the cabinet.

This refrigerating appliance is not intended to be used as a built-in appliance.

Warning! It must be possible to disconnect the appliance from the mains power supply; the plug must therefore be easily accessible after installation.

Electrical connection

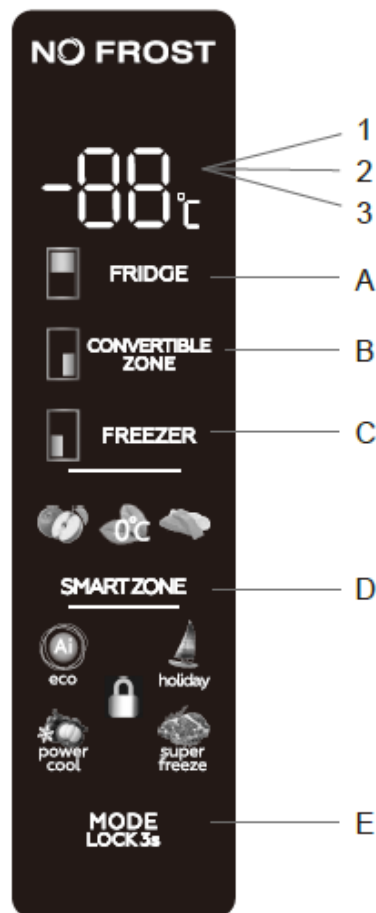
If the socket in your home is not earthed, connect the appliance to a separate earthing system in accordance with the regulations in force, after consulting a qualified electrician.

The manufacturer assumes no liability if these safety measures are not observed.

This appliance complies with the EC Directives.

6. DAILY USE

Control panel



1.1 Button functions

- A. Setting the temperature in the refrigeration compartment
- B. Setting the temperature in the convertible compartment
- C. Setting the temperature in the freezer compartment
- D. Smart zone setting (Baby care, 0 °C Fresh, Soft freeze)
- E. Locking/Unlocking/Mode setting

1.2 LED display

1. Refrigeration compartment temperature
2. Freezer compartment temperature
3. Convertible compartment temperature

2. Operating conditions

1. The control panel lights up completely for 3 seconds, then displays the settings (mode and temperature) set before the appliance was switched off. The system locks automatically 25 seconds after the last button press. After locking, the display turns off 120 seconds after the last button press.
2. The temperature in the refrigeration/freezer/convertible compartment will be displayed separately by setting the temperature of each zone.

Display

- The panel will stay on for 2 minutes once the refrigeration compartment door or freezer compartment door is opened (the door signals are transmitted in turn).
- The panel will turn on at the touch of any button and turn off 2 minutes after the last button press.

- The display will behave like this during normal operation.
 - Refrigeration compartment temperature display: the temperature of the current setting is shown
 - Freezer compartment temperature display: the current temperature setting is shown
 - Temperature display in the convertible compartment: the temperature of the current setting is shown

3. Using the temperature control knob

3.1 Refrigeration compartment temperature control

a) Refrigeration compartment temperature control

This button is functional in both user-defined and "Super" mode. After entering the refrigeration compartment temperature control mode, this button lights up flashing. By pressing the button consecutively, the temperature will change successively from 2 °C to 3 °C, 4 °C, 5 °C, 6 °C, 7 °C, 8 °C, -- (Off). If the button flashes for 5 seconds, the temperature selection is set.

b) Switching off the refrigeration compartment

Press the button for "Refrigeration compartment temperature control" and select "--". The button flashes for 5 seconds, which means that the setting has been selected and the operation of the refrigeration compartment is stopped.

3.2 Freezer compartment temperature control

This button is functional in both a user-defined mode and in "Holiday" mode.

After entering the freezer compartment temperature control mode, this button will flash. By pressing the button consecutively, the temperature will change successively from -14 °C to -15 °C, -16 °C, -17 °C, -18 °C, -19 °C, -20 °C, -21 °C, -22 °C. If the button flashes for 5 seconds, the temperature selection is set.

3.3 Convertible compartment temperature control

a. Convertible compartment temperature control:

This button is functional in both user-defined and other modes of operation. After entering the convertible compartment temperature control mode, this button shall light up flashing. By pressing the button consecutively, the temperature will change successively from 5 °C to 4 °C, 3 °C, 2 °C, 1 °C, 0 °C, -1 °C, -2 °C, -3 °C, -4 °C, -5 °C, -6 °C, -7 °C, -8 °C, -9 °C, -10 °C, -11 °C, -12 °C, -13 °C, -14 °C, -15 °C, -16 °C, -17 °C, -18 °C, -19 °C, -20 °C, --(Off). If the button flashes for 5 seconds, the temperature selection is set.

b. Switching off the convertible compartment

Press the button for "Convertible compartment temperature control" and select "--". The button flashes for 5 seconds, which means that the setting has been selected and the operation of the convertible compartment is stopped.

3.4 Temperature control of the Smart zone compartment

This button is functional in both User defined mode and "Super" mode.

By consecutively touching the key, the logo corresponding to each function will light up sequentially, in following order: "Baby care", "0 °C fresh", "Soft freeze".

The temperature corresponding to each function is:

- Baby care (3°C)
- 0 °C fresh (0°C)
- Soft freeze (-1.5°C)

3.5 Mode/Locking/Unlocking

a. Pressing this button consecutively will change the mode of operation of the refrigerator in the sequence "ECO" mode - "Holiday" mode - "Super" mode - User defined mode. If the button flashes for 5 seconds, the temperature selection is set.

b. Long press to activate/deactivate locking mode

- Unlocking: Press for 3 seconds when the device is in lock mode and the buttons will unlock after a short beep.
- Locking: Press for 3 seconds when the device is in unlock mode and the buttons will lock after a short beep.

3.6 Control panel buttons

A short beep will sound when any button is pressed. Buttons respond to commands only if the control panel is unlocked.

3.7 Lock function

If no operation is performed for 25 seconds, the control panel will automatically lock.

3.8 ECO mode

Press the "Mode" button to select "ECO" mode. The "ECO" icon flashes for 5 seconds and remains lit.

"ECO" mode sets a fixed temperature of 6 °C in the refrigeration compartment and -16 °C in the freezer compartment. Pressing the "FRIDGE" or "FREEZER" button will have no effect, but the "ECO" icon will flash for three seconds. The temperature of the convertible compartment can be adjusted separately.

Deactivating "ECO" mode:

If you want to deactivate the "Eco" mode, press the "MODE" button to select another mode.

3.9 "Holiday" mode

Press the "Mode" button to select "Holiday" mode. The icon flashes for 5 seconds and remains lit.

The temperature will be set to 17 °C in the refrigeration compartment. Pressing the "FRIDGE" button will have no effect, but the "Holiday" icon will flash for three seconds as a reminder.

The temperature of the freezer compartment and the convertible compartment can be adjusted separately.

Deactivating "Holiday" mode:

If you want to deactivate the "Holiday" mode, press the "MODE" button to select another mode.

3.10 "SUPER FREEZE" freezing function

Press the "MODE" button to activate the "SUPER FREEZE" function. The icon flashes for 5 seconds and remains lit. SUPER FREEZE mode: The temperature in the freezer compartment (-25 °C) cannot be adjusted.

Pressing the "FREEZER" button will have no effect, but the icon will flash for 3 seconds as a reminder.

The temperature of the refrigeration compartment and the convertible compartment can be adjusted separately. The "SUPER FREEZE" mode can be switched off in this way:

- manual deactivation of the "SUPER FREEZE" function.
- if the "SUPER FREEZE" function has been active for more than 50 hours.

The mode remains the same before activating the "SUPER FREEZE" mode.

3.11 Power cool function

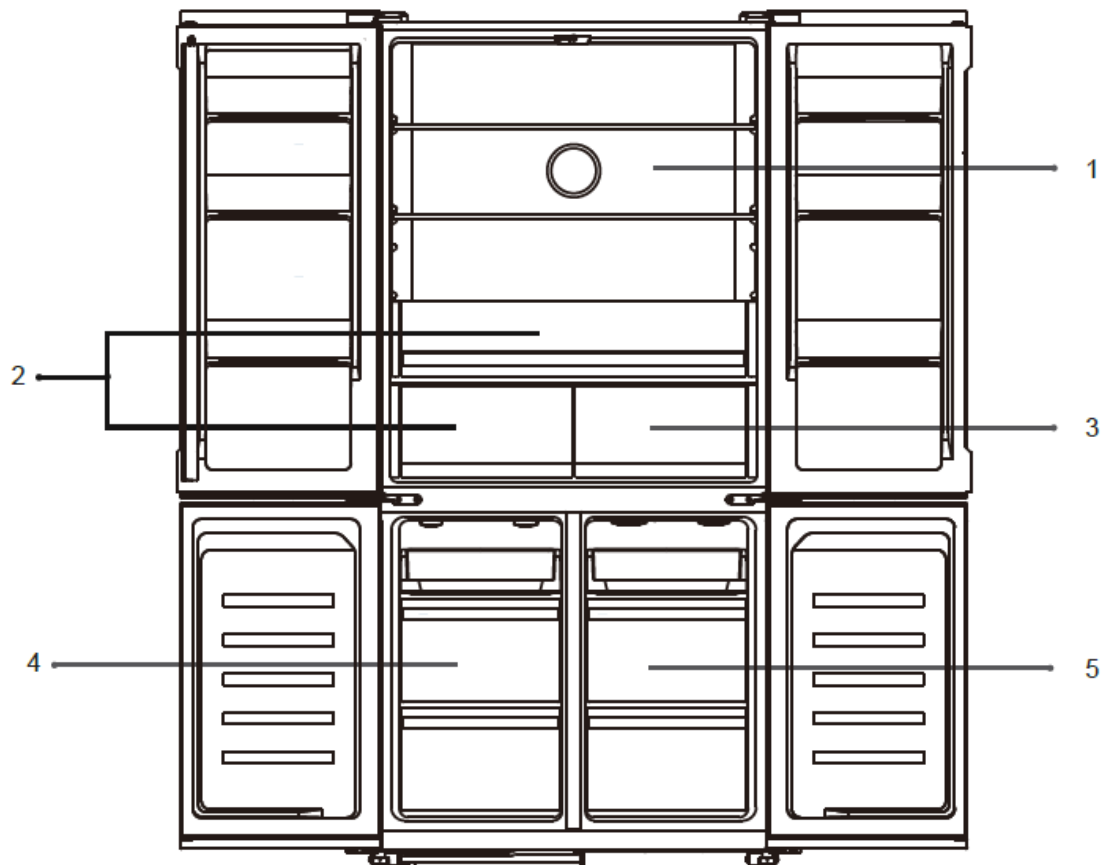
Cools the refrigeration compartment to the lowest temperature that can be achieved in that compartment.

After approximately 2.5 hours, the set temperature returns to the previous value.

3.12 Door opening alarm

If the refrigerator or freezer compartment door keeps open for 60 seconds, the alarm will be arisen in cycles until the door is closed.

Multi-temperature zone



1. Refrigeration compartment temperature 2 °C ~ 8 °C/Off
Controlled using the control panel.
2. Fresh food storage temperature 2 °C ~ 8 °C
3. Smart zone temperature -1,5 °C / 0 °C / 3 °C
4. Freezer compartment temperature -22 °C~-14 °C
Controlled using the control panel.
5. Convertible compartment temperature -20 °C ~ 5 °C/Off
Controlled using the control panel.

First use – Cleaning the interior

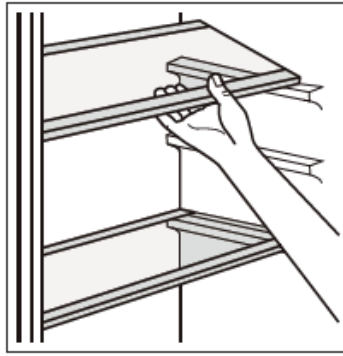
Before using the appliance for the first time, wash the interior and all internal accessories with lukewarm water and some neutral soap so as to remove the typical smell of a brand-new product, then dry thoroughly. **Important!** Do not use detergents or abrasive powders, as these will damage the finish.

Thawing

Deep-frozen or frozen food, prior to be used, can be thawed in the fridge compartment or at room temperature, depending on the time available for this operation. Small pieces may even be cooked still frozen, directly from the freezer, in this case, cooking will take longer.

Movable shelves

The walls of the refrigerator are equipped with a series of runners so that the shelves can be positioned as desired.



Positioning the door balconies

To facilitate the storage of food packages of different sizes, the door balconies can be positioned at different heights. To do this, proceed as follows: gently pull the balcony in the direction of the arrows until it pops out, then reposition it as desired.

Ice cubes

This appliance can be equipped with one or more trays for producing ice cubes.

Freezing fresh food


- The freezer compartment is suitable for freezing fresh food and storing frozen and deep-frozen food for a long time.
- Place the fresh food to be frozen in the freezer compartment.
- The maximum amount of food that can be frozen in 24 hours is specified on the rating plate.
- The freezing process lasts 24 hours: during this period do not add other food to be frozen.

Storing frozen food

When first starting-up or after a period out of use, before putting the product in the compartment let the appliance run at least 2 hours on the higher settings.

Important! In the event of accidental defrosting, for example the power has been off for longer than the value shown in the technical characteristics chart under “rising time”, the defrosted food must be consumed quickly or cooked immediately and then re-frozen (after cooked).

Temperature setting recommendation

Temperature setting recommendations	
Ambient temperature	Temperature setting
Summer (above 38 °C)	 Refrigerator set on 2 °C Freezer set on -20 °C
Normal	Refrigerator set on 4 °C Freezer set on -18 °C
Winter (below 16 °C)	Refrigerator set on 5 °C Freezer set on -18 °C

Information above give users recommendation of temperature setting.
 Temperature of convertible zone setting depends on food loading.

Food positioning

Position the different types of food in different compartments as shown in the table below:

Refrigerator compartments	Types of food
Balconies on refrigeration compartment door	Foods containing natural preservatives, such as jams, juices, drinks, spices. Do not store perishable foods.
Crisper compartment	Fruit, herbs and vegetables should be placed separately in the crisper bin. Do not store bananas, onions, potatoes or garlic in the fridge
Refrigerator shelf	Dairy products, eggs, cakes, pasta, pizza Foods that do not need cooking, such as ready-to-eat foods, deli meats, leftovers.
Humidity controlled zone	Maintains humidity and freshness. Extends shelf life. Fresh fruit and vegetables, delicacies.
Smart zone	Baby care: 3 °C, baby food, delicacies. 0 °C fresh: 0 °C, drinks, beer, red wine, treasure. Soft freeze: -1.5 °C, chilling foods for short-term storage, such as raw meat, fish, seafood, dumplings.

Convertible compartment	<p>-20 °C~5 °C, for a wide range of foods that can be frozen or chilled at variable temperatures. 3 °C~5 °C: fresh fruit and vegetables</p> <p>0 °C~2 °C: drinks, beer, red wine</p> <p>-7 °C~-1 °C: refrigeration of foods such as raw meat, fish, seafood, dumplings, etc. for short-term storage.</p> <p>-20 °C~-8 °C: refrigeration of foods such as raw meat, fish, seafood, dumplings, etc. for long-term storage.</p>
Freezing compartment	<p>Foods for long-term storage.</p> <p>Seafood, fish, meat, dumplings, frozen baked goods</p>

Order	Compartments TYPE	Target storage temp. [°C]	Appropriate food
1	Fridge	+2≤+6	Eggs, cooked food, packaged food, fruits and vegetables, dairy products, cakes, drinks, and other foods are not suitable for freezing.
2	(***)*-Freezer	≤-18	Seafood (fish, shrimp, shellfish), freshwater aquatic products and meat products (recommended for 3 months, the longer the storage time, the worse the taste and nutrition), suitable for frozen fresh food.
3	***-Freezer	≤-18	Seafood (fish, shrimp, shellfish), freshwater aquatic products and meat products (recommended for 3 months, the longer the storage time, the worse the taste and nutrition), are not suitable for frozen fresh food.
4	** -Freezer	≤-12	Seafood (fish, shrimp, shellfish), freshwater aquatic products and meat products (recommended for 2 months, the longer the storage time, the worse the taste and nutrition), are not suitable for frozen fresh food.
5	*-Freezer	≤-6	Seafood (fish, shrimp, shellfish), freshwater aquatic products and meat products (recommended for 1 months, the longer the storage time, the worse the taste and nutrition), are not suitable for frozen fresh food.
6	0-star	-6≤0	Fresh pork, beef, fish, chicken, some packaged processed foods, etc. (Recommended to eat within the same day, preferably no more than 3 days). Partially encapsulated processed foods (non-freezable foods)
7	Chill	-2≤+3	Fresh/frozen pork, beef, chicken, freshwater aquatic products, etc. (7 days below 0 °C and above 0 °C is recommended for consumption within that day, preferably no more than 2 days). Seafood (less than 0 for 15 days, it is not recommended to store above 0 °C).
8	Fresh Food	0≤+4	Fresh pork, beef, fish, chicken, cooked food, etc. (Recommended to eat within the same day, preferably no more than 3 days).

9	Wine	+5≤+20	Red wine, white wine, sparkling wine, etc.
---	------	--------	--

Impact on food storage

Under recommended setting, the best storage time of fridge is no more than 3 days.

Under recommended setting, the best storage time of freezer is no more than 1 month.

The best storage time may reduce under other settings.

7. HELPFUL HINTS AND TIPS

Hints for freezing

To help you make the most of the freezing process, here are some important hints:

- the maximum quantity of food which can be frozen in 24 hrs. is shown on the rating plate.
- the freezing process takes 24 hours. No further food to be frozen should be added during this period.
- only freeze top quality, fresh and thoroughly cleaned foodstuffs.
- prepare food in small portions to enable it to be rapidly and completely frozen and to make it possible subsequently to thaw only the quantity required.
- wrap up the food in aluminium foil or polythene and make sure that the packages are airtight.
- do not allow fresh, unfrozen food to touch food which is already frozen, thus avoiding a rise in temperature of the latter.
- lean foods store better and longer than fatty ones; salt reduces the storage life of food.
- water ices, if consumed immediately after removal from the freezer compartment, can possibly cause the skin to be freeze burnt.
- it is advisable to show the freezing in date on each individual pack to enable you to remove it from the freezer compartment, can possibly cause the skin to be freeze burnt.
- it is advisable to show the freezing in date on each individual pack to enable you to keep tab of the storage time.

Hints for storage of frozen food

To obtain the best performance from this appliance, you should:

- make sure that the commercially frozen foodstuffs were adequately stored by the retailer.
- be sure that frozen foodstuffs are transferred from the food store to the freezer in the shortest possible time.
- do not open the door frequently or leave it open longer than absolutely necessary.
- once defrosted, food deteriorates rapidly and cannot be refrozen.
- do not exceed the storage period indicated by the food manufacture.

Hints for refrigeration of fresh food

For optimal performance:

- Do not store warm food or evaporating liquids in the appliance.
- Cover or wrap food, particularly if it has a strong flavour.
- Make (all types): wrap in polythene bags and place on the glass shelves above the vegetable drawer.
- For safety, store meat this way only for a day or two at most.
- Cooked foods cold dishes etc.: these should be covered and may be placed on any shelf.
- Fruit and vegetables: these should be thoroughly cleaned and placed in the special drawer(s) provided.

- Butter and cheese: these should be placed in special airtight containers or wrapped in aluminium foil or polythene bags to exclude as much air as possible.
- Milk bottles: these should have a cap and should be stored in the balconies on the door.
- If not packed, bananas, potatoes, onions and garlic should not be stored in the refrigerator.

Cleaning

For hygienic reasons the appliance interior, including interior accessories, should be cleaned regularly.

Caution! The appliance may not be connected to the mains during cleaning. Danger of electrical shock! Before cleaning switch, the appliance off and remove the plug from the mains, or switch off or turn out the circuit breaker or fuse. Never clean the appliance with a steam cleaner. Moisture could accumulate in electrical components, danger of electrical shock! Hot vapours can lead to the damage of plastic parts. The appliance must be dry before it is placed back into service.

Important! Ethereal oils and organic solvents can attack plastic parts, e.g. lemon juice or the juice from orange peel, butyric acid, cleanser that contain acetic acid.

- Do not allow such substances to come into contact the appliance parts.
- Do not use any abrasive cleaners.
- Remove the food from the freezer. Store them in a cool place, well covered.
- Switch the appliance off and remove the plug from the mains, or switch off or turn out the circuit breaker or fuse.
- Clean the appliance and the interior accessories with a cloth and lukewarm water. After cleaning wipe with fresh water and rub dry.
- After everything is dry place appliance back into service.

Description of the "No Frost" function

This appliance is fitted with a "No frost" function and defrosting takes place automatically.

8. TROUBLESHOOTING

If you are experiencing problems with your appliance or are concerned that it is not working properly, you can follow the recommendations below to carry out some checks before calling for specialist technical support.

Caution! Before troubleshooting disconnect the power supply. Only a qualified electrician must do the troubleshooting that is not in this user manual.

Important! There are some sounds during normal use (compressor, refrigerant circulation).

Problem	Possible cause	Solution
Appliance does not work	Mains plug in not plugged in or is loose	Insert mains plug
	Fuse has blown or is defective	Check fuse, replace if necessary
	Socket is defective	Mains malfunctions are to be corrected by an electrician
Appliance freezes or cools to much	Temperature is set too cold or the appliance runs at SUPER modes.	Turn the temperature regulator to a warmer setting temporarily.
The food is not frozen enough	Temperature is not properly adjusted	Please look at the initial temperature setting section
	Door was open for an extended period	Open the door only as long as necessary

	A large quantity of warm food was placed in the appliance within the last 24 hours	Turn the temperature regulator to a colder setting temporarily
	The appliance is near a heat source	Please look in the installation location section
Heavy build-up of frost on the door seal	Door seal is not airtight	Carefully warm the leaking sections of the door seal with a hair dryer (on a cool setting). At the same time shape the warmed door seal by hand such that it sits correctly
Water on the floor	Water drain hole is blocked	See the Cleaning and care section
Unusual noises	Appliance is not level	Re-adjust the feet
	The appliance is touching the wall or other objects	Move the appliance slightly
	A component, e.g. a pipe, on the rear is touching another part of the appliance or the wall	If necessary, carefully bend the component out of the way

If the malfunction occurs again, contact the authorised service centre.

CUSTOMER CARE AND SERVICE

Always use original spare parts.

When contacting our Authorised Service Centre, ensure that you have the following data available: Model and Serial Number.

The information can be found on the rating plate. Subject to change without notice.

TECHNICAL DATA

The technical information is situated in the rating plate on the internal side of the appliance and on the energy label.

The QR code on the energy label supplied with the appliance provides a web link to the information related to the performance of the appliance in the EU EPREL database.

Keep the energy label for reference together with the user manual and all other documents provided with this appliance.

It is also possible to find the same information in EPREL using the link <https://eprel.ec.europa.eu> and the model name and product number that you find on the rating plate of the appliance.

To access information about your product in the EPREL portal, you can scan the codes below:



Thank you for purchasing this product. If you need support with your product, visit our website using the links below.

Get User manuals: <https://www.heinner.ro>

Get Service information: <https://www.heinner.ro>



Environment friendly disposal

You can help protect the environment!

Please remember to respect the local regulations: hand in the non-working electrical equipment's to an appropriate waste disposal center.



HEINNER is a registered trademark of **Network One Distribution SRL**. Other brands and product names are trademarks or registered trademarks of their respective holders.

No part of the specifications may be reproduced in any form or by any means or used to make any derivative such as translation, transformation, or adaptation without permission from NETWORK ONE DISTRIBUTION.

Copyright © 2013 Network One Distribution. All rights reserved.

www.heinner.com, <http://www.nod.ro>



This product is in conformity with norms and standards of European Community



Importer: **Network One Distribution**

Marcel Iancu Street, 3-5, Bucharest, Romania

Tel: +40 21 211 18 56, www.heinner.com , www.nod.ro

COMBINĂ FRIGORIFICĂ SIDE BY SIDE

Model:

HSBS-HM505MDSINFDXE++



- Capacitate totală: 505 L
- Clasa de eficiență energetică: E

HEINNER

1. INTRODUCERE

Vă rugăm să citiți instrucțiunile cu atenție și să păstrați manualul pentru consultări ulterioare. Acest manual are scopul de a vă oferi toate instrucțiunile necesare cu privire la instalarea, utilizarea și întreținerea aparatului. Pentru utilizarea corectă și în siguranță a aparatului, vă rugăm să citiți cu atenție acest manual de instrucțiuni înainte de instalare și utilizare.

2. CONȚINUTUL PACHETULUI DUMNEAVOASTRĂ

- ➔ **Combină frigorifică Side by Side**
- ➔ **Manual de utilizare**
- ➔ **Certificat de garanție**

3. INFORMAȚII PRIVIND SIGURANȚA

Pentru siguranța dumneavoastră și o utilizare corectă, înainte de a instala și a folosi aparatul pentru prima dată, citiți cu atenție acest manual de instrucțiuni, inclusiv sugestiile și avertismentele. Pentru a evita erorile inutile și accidentele, este important să vă asigurați că toate persoanele care utilizează aparatul sunt familiarizate cu modul de funcționare și cu măsurile de siguranță. Păstrați aceste instrucțiuni și asigurați-vă că vor rămâne împreună cu aparatul, dacă acesta este mutat sau vândut, astfel încât orice persoană care îl folosește pe durata de utilizare a acestuia să fie bine informată în legătură cu utilizarea sa și cu măsurile de siguranță. Pentru garantarea siguranței persoanelor și a bunurilor, respectați măsurile de precauție specificate în cadrul prezentului manual de instrucțiuni, deoarece producătorul nu este responsabil pentru daunele cauzate prin omisiune.

Siguranța copiilor și a altor persoane vulnerabile

- Aparatul poate fi utilizat de către copii cu vârste începând de la 8 ani și de către persoane cu capacități fizice, senzoriale sau mentale reduse, cu lipsă de experiență sau cunoștințe, numai dacă acestea sunt supravegheate sau instruite în ceea ce privește utilizarea în siguranță a aparatului și dacă înțeleg pericolele pe care le implică utilizarea.
- Copiilor cu vârste începând de la 3 ani le este permis să introducă și să scoată alimente din aparatele frigorifice.
- Copiii trebuie supravegheați, astfel încât aceștia să nu se joace cu aparatul.
- Curățarea și întreținerea nu pot fi efectuate de către copii, cu excepția cazului în care aceștia sunt în vârstă de cel puțin 8 ani și sunt supravegheați.
- Nu lăsați ambalajele la îndemâna copiilor. Pericol de asfixiere.
- Pentru a evita situațiile în care copiii se pot electrocuta sau închide în interiorul aparatului, înainte de a-l arunca, scoateți ștecărul din priză, tăiați cablul de alimentare (cât mai aproape de aparat posibil) și demontați ușa aparatului.
- Dacă acest aparat (care este prevăzut cu un sistem de închidere magnetic) înlocuiește un aparat mai vechi, prevăzut cu închizătoare cu arc (zăvor) pe ușă sau pe capac, înainte de a arunca aparatul vechi, asigurați-vă că închizătoarea cu arc nu mai poate fi folosită. Astfel, copiii nu vor putea rămâne blocați înăuntru.

Măsuri generale de siguranță

AVERTISMENT! Asigurați-vă că gurile de ventilație ale carcasei aparatului sau ale corpului acestuia nu sunt obturate.

AVERTISMENT! Utilizați numai dispozitive mecanice sau mijloace de grăbire a procesului de dezghețare recomandate de către producător.

AVERTISMENT! Nu deteriorați circuitul de refrigerare.

AVERTISMENT! Nu folosiți alte aparate electrice (cum ar fi, de exemplu, aparatele de făcut înghețată) în interiorul compartimentelor de depozitare a alimentelor din acest aparat, decât dacă acestea sunt de tipul celor recomandate de către producător.

AVERTISMENT! Nu atingeți becul în cazul în care acesta a stat aprins pentru o perioadă îndelungată, deoarece acesta poate fi foarte fierbinte.

AVERTISMENT! Atunci când poziționați aparatul, asigurați-vă că nu striviți și nu deteriorați cablul de alimentare.

AVERTISMENT! Nu amplasați în spatele aparatului prize multiple sau surse de alimentare portabile.

AVERTISMENT! Agentul frigorific și gazul izolant sunt inflamabile. Dacă doriți să aruncați aparatul, apălați la un centru autorizat de eliminare a deșeurilor. Nu expuneți aparatul la foc.

- Nu depozitați în acest aparat produse explozive precum spray-urile cu aerosoli inflamabili.
- Circuitul de refrigerare al aparatului conține agent frigorific R600a (izobutan), un gaz natural cu un nivel ridicat de compatibilitate cu mediul înconjurător, dar inflamabil.
- În timpul transportului și al montării aparatului, asigurați-vă că niciuna dintre componentele circuitului de refrigerare nu este deteriorată.
 - Evitați utilizarea focului deschis și sursele de aprindere a focului.
 - Aerisiți bine camera în care se află aparatul.
- Modificarea în orice fel a specificațiilor sau a produsului este periculoasă. Orice deteriorare a cablului de alimentare poate genera riscul de scurtcircuitare, incendiu sau electrocutare.
- Acest aparat este destinat utilizării în locuințe și alte unități similare:
 - bucătăriile personalului din magazine, birouri și alte medii de lucru;
 - în gospodării și de către clienții din hoteluri, moteluri și alte medii de tip rezidențial;
 - medii de tip pensiune cu mic dejun;
 - activități de tip catering și non-retail.

AVERTISMENT! Componentele electrice (ștecărul, cablul de alimentare, compresorul) trebuie înlocuite de către un electrician calificat sau de către o persoană competentă.

AVERTISMENT! Becul furnizat împreună cu aparatul este un „bec pentru utilizare specială” și poate fi utilizat numai pentru acest aparat. Acest „bec pentru utilizare specială” nu poate fi utilizat pentru iluminatul casnic.

AVERTISMENT! Becurile nu trebuie înlocuite de către utilizator! Dacă becurile se defectează, apălați la asistență specializată. Acest avertisment este valabil numai pentru frigiderule prevăzute cu lămpi de iluminare.

- Nu prelungiți cablul de alimentare.
- Asigurați-vă că ștecărul nu este strivit sau deteriorat de partea din spate a aparatului. În cazul în care cablul de alimentare este strivit sau deteriorat, acesta se poate supraîncălzi și poate provoca un incendiu.
- Asigurați-vă că aveți acces la ștecărul aparatului.
- Nu trageți de cablul de alimentare.
- Dacă priza în care trebuie introdus ștecărul este desprinsă, nu introduceți ștecărul în ea. Există riscul de electrocutare și de incendiu.
- Nu utilizați aparatul fără capacul lămpii de iluminare din interior.
- Aparatul este greu. Mutați-l cu grijă.
- Nu scoateți și nu atingeți obiecte din congelator dacă aveți mâinile umede/ude, deoarece vă puteți provoca leziuni ale pielii sau degerături.
- Evitați expunerea prelungită a aparatului la lumina directă a soarelui.

Agentul frigorific

Circuitul de refrigerare al aparatului conține agent frigorific R600a (izobutan), un gaz natural cu un nivel ridicat de compatibilitate cu mediul înconjurător, dar inflamabil. În timpul transportului și al montării

aparaturii, asigurați-vă că niciuna dintre componentele circuitului de refrigerare nu este deteriorată. Agentul frigorific (R600a) este inflamabil.

AVERTISMENT! Frigiderele conțin agent frigorific și gaze izolante. Agentul frigorific și gazele trebuie să fie eliminate în mod corespunzător, deoarece acestea pot provoca leziuni oculare sau se pot aprinde. Înainte de eliminare, asigurați-vă că tubulatura circuitului de refrigerare nu este deteriorată.



AVERTISMENT! Pericol de incendiu!

În cazul în care circuitul de refrigerare este deteriorat:

- Evitați utilizarea focului deschis și sursele de aprindere a focului.
- Aerisiți bine camera în care se află aparatul.

Utilizare cotidiană

- Nu așezați obiecte fierbinți pe componentele din plastic ale aparatului.
- Nu așezați alimente direct pe peretele posterior din interiorul aparatului.
- Nu congelați din nou alimentele care s-au dezghețat.
- Depozitați alimentele congelate preambalate în conformitate cu instrucțiunile producătorului alimentelor congelate.
- Respectați cu strictețe recomandările producătorului acestui aparat privind depozitarea. Consultați instrucțiunile aferente.
- Nu depozitați băuturi carbogazoase sau acidulate în congelator, deoarece se creează presiune asupra recipientelor, acestea putând exploda, având drept rezultat deteriorarea aparatului.
- Alimentele înghețate pot cauza degerături dacă sunt consumate direct din congelator. ¹⁾
- Pentru a evita contaminarea alimentelor, respectați instrucțiunile de mai jos.
 - Dacă ușa aparatului este lăsată deschisă pe perioade lungi, temperatura din compartimentele aparatului crește semnificativ.
 - Curățați periodic suprafețele care pot intra în contact cu alimentele, precum și sistemele de scurgere ale aparatului.
 - Curățați rezervoarele de apă în caz de neutilizare a dozatoarelor timp de 48 de ore; apa din sistemele racordate la o sursă de alimentare cu apă trebuie extrasă în caz de neutilizare a sistemelor timp de 5 zile.
 - Păstrați carnea crudă și peștele proaspăt în recipiente corespunzătoare, astfel încât acestea să nu intre în contact cu alte alimente.
 - Compartimentele de congelare cu două stele (dacă sunt prezente în aparat) sunt potrivite pentru păstrarea alimentelor precongelați, păstrarea sau prepararea înghețatei sau producerea cuburilor de gheață.
 - Compartimentele cu una, două și trei stele nu sunt potrivite pentru congelarea alimentelor proaspete.
 - Dacă aparatul frigorific este lăsat gol pe perioade lungi, opriți-l, decongelați-l, curățați-l, ștergeți-l bine și lăsați-i ușa deschisă pentru a preveni formarea mușgaiului în interiorul acestuia.

Curățare și întreținere

- Înainte de efectuarea operațiilor de întreținere, opriți aparatul și scoateți ștecărul din priză.
- Nu curățați aparatul cu obiecte din metal.
- Nu folosiți obiecte ascuțite pentru a îndepărta gheața din aparat. Folosiți o racletă din plastic.
- Verificați cu regularitate orificiul de scurgere al aparatului. Dacă este necesar, curățați orificiul de scurgere. Dacă orificiul de scurgere este blocat, se va strânge apă în partea de jos a aparatului.

Instalare

Important! Pentru conexiunea electrică, urmați cu atenție instrucțiunile referitoare la aceasta.

- Despachetați aparatul și verificați dacă este deteriorat. Dacă aparatul prezintă deteriorări, nu îl conectați la sursa de alimentare. Dacă aparatul este deteriorat, comunicați imediat acest lucru distribuitorului de la care l-ați cumpărat. În acest caz, păstrați ambalajul.
- Vă recomandăm să așteptați cel puțin patru ore înainte de a conecta aparatul la sursa de alimentare, pentru ca uleiul să aibă timp să revină în compresor.

- Aerul trebuie să poată circula liber în jurul aparatului. În lipsa circulației aerului, aparatul se poate supraîncălzi. Pentru a obține o ventilație adecvată, respectați instrucțiunile referitoare la montare.
- Dacă este posibil, distanțierile produsului trebuie să fie orientate către un perete, pentru a evita atingerea sau prinderea părților calde (compresorul, condensatorul) și pentru a preveni eventualele arsuri.
- Nu amplasați aparatul în apropierea radiatoarelor sau a aragazelor.
- Asigurați-vă că aveți acces la ștecăr după montarea aparatului.


Reparații

- Lucrările electrice necesare în vederea reparării aparatului trebuie efectuate de către un electrician calificat sau de către o persoană competentă.
- Produsul trebuie reparat de către un centru de service autorizat, folosindu-se numai piese de schimb originale.

Economisirea energiei

- Nu introduceți alimente fierbinți în aparat.
- Nu depozitați alimentele aproape unele de celelalte, deoarece aceasta împiedică circulația aerului.
- Asigurați-vă că alimentele nu ating partea din spate a compartimentului/elor.
- Dacă furnizarea energiei electrice se întrerupe, nu deschideți ușa/ușile.
- Nu deschideți ușa/ușile frecvent.
- Nu țineți ușa/ușile deschise pentru prea mult timp.
- Nu reglați termostatul la o temperatură mai redusă decât este necesar.
- Pentru un consum redus de energie, toate accesoriile, cum ar fi rafturile, sertarele și rafturile de pe uși trebuie menținute în pozițiile care au fost prevăzute pentru acestea.

Protejarea mediului înconjurător

Acest aparat nu conține gaze care ar putea dăuna stratului de ozon, nici în circuitul de refrigerare, nici în materialele izolante. Aparatul nu trebuie eliminat împreună cu deșeurile menajere și cu gunoiul. Spuma izolantă conține gaze inflamabile: aparatul trebuie eliminat în conformitate cu reglementările adoptate de autoritățile locale. Evitați deteriorarea unității de răcire, în special a schimbătorului de căldură. Simbolul  marcat pe anumite materialele folosite la fabricarea aparatului indică faptul că acestea sunt reciclabile.

Materiale de ambalare

Materialele marcate cu acest simbol sunt reciclabile. Aruncați ambalajele în containere speciale destinate reciclării.

Eliminarea produsului

1. Deconectați ștecărul de la sursa de alimentare cu energie.
2. Tăiați cablul de alimentare și aruncați-l.

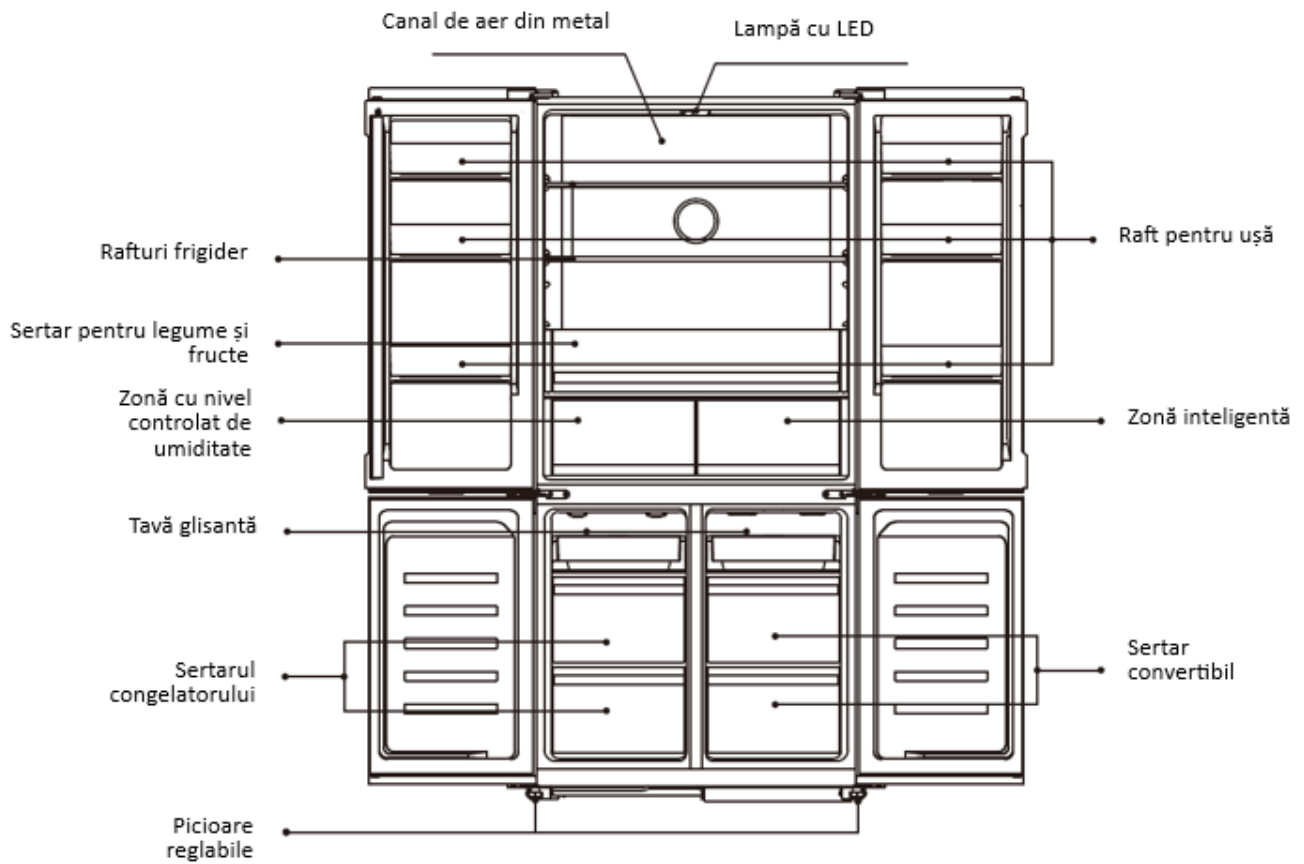


Avertisment! În timpul utilizării, întreținerii sau eliminării aparatului, vă rugăm să acordați atenție simbolului asemănător cu cel din partea stângă, situat pe partea posterioară a aparatului (panoul din spate sau compresorul), de culoare galbenă sau portocalie.

Acesta este simbolul de avertizare privind pericolul de incendiu. În conductele de agent frigorific și în compresor sunt prezente materiale inflamabile.

Ferțiți aparatul de surse de foc în timpul utilizării, întreținerii sau eliminării acestuia.

4. DESCRIEREA PRODUSULUI



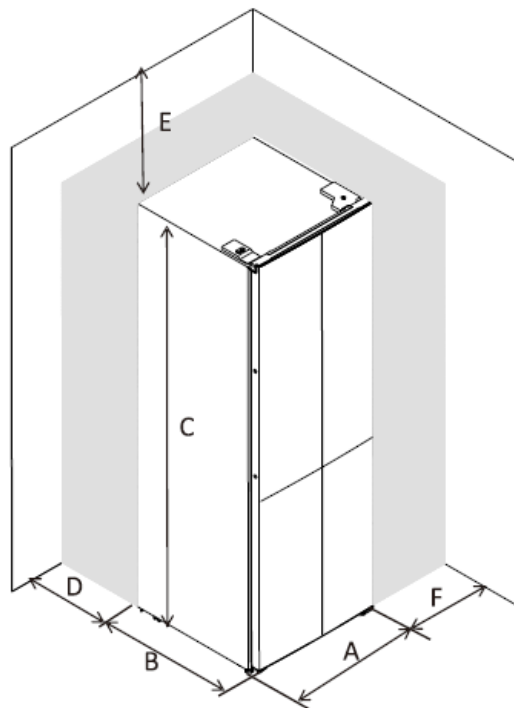
Ilustrațiile din acest manual au doar scop informativ. Astfel, produsul real poate fi ușor diferit de cel prezentat în ilustrații.

5. INSTALARE

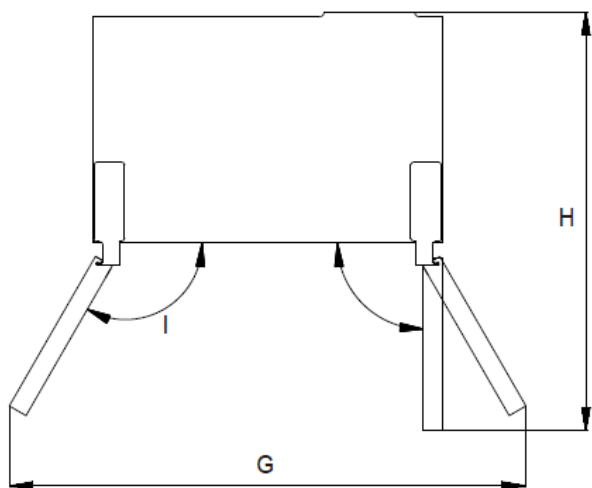
Cerințe privind spațiul

Lăsați spațiu suficient pentru deschiderea ușii.

Instalarea fără susținere suplimentară și instalarea prin încorporare au unghiuri maxime de deschidere a ușii diferite.

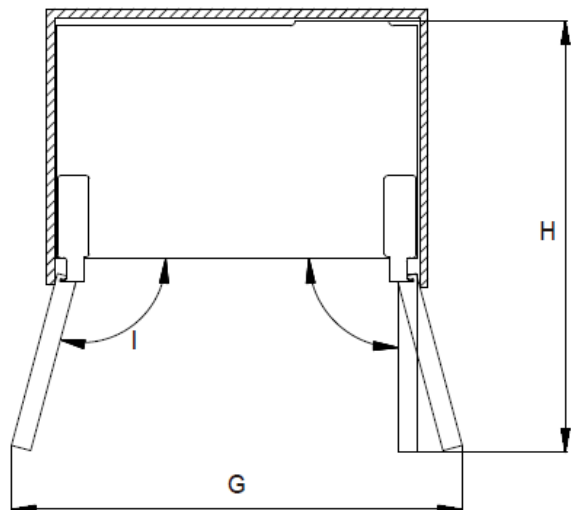


Instalarea fără susținere suplimentară



A	905
B	597
C	1902
D	3
E	6
F	6
G	1335
H	1020
I	120°

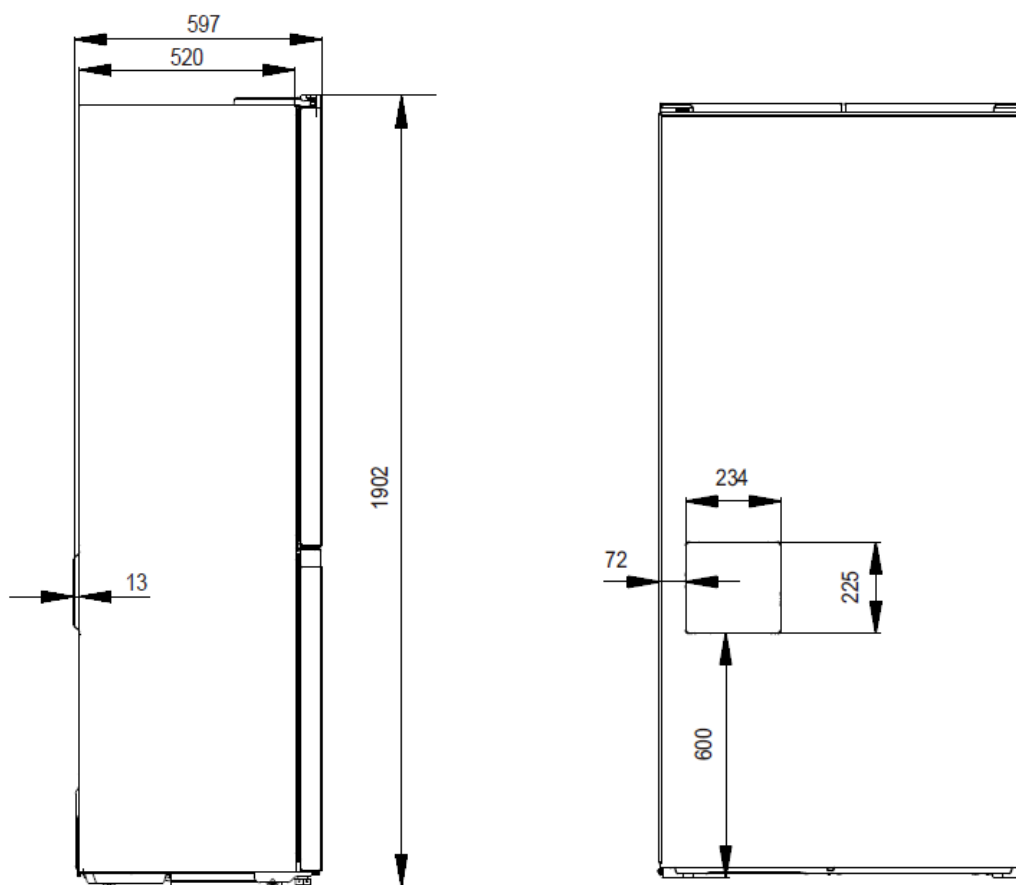
Instalarea prin încorporare



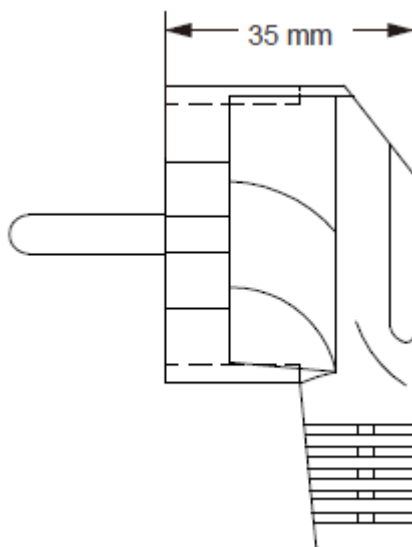
A	905
B	597
C	1902
D	3
E	6
F	6
G	1128
H	1020
I	105°

Indicații privind poziționarea corectă

1. Capacul plăcii cu circuite imprimate a fost proiectat pentru a asigura o distanță corectă între panoul din spate al frigiderului și perete, cea mai apropiată poziție între frigider și perete fiind atunci când capacul plăcii cu circuite imprimate atinge peretele.
2. Poziția și dimensiunea capacului plăcii cu circuite imprimate sunt cele indicate mai jos. Vă rugăm să luați în considerare poziția prizei, astfel încât poziția capacului plăcii cu circuite imprimate să vă permită conectarea aparatului la sursa de alimentare cu energie electrică.



3. Dimensiunea ștecărului este cea indicată mai jos. Vă rugăm să luați în considerare grosimea ștecărului și a prizei electrice dacă priza electrică este situată în spatele frigiderului.

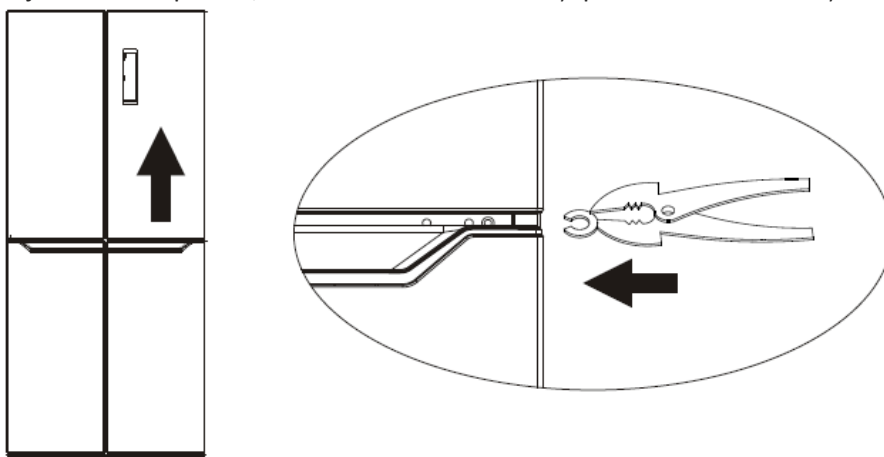


Alinierea ușilor

După transport sau după ce rafturile de pe uși sunt încărcate cu alimente sau băuturi, este posibil ca ușile superioare să nu mai fie la același nivel. Pentru reglarea ușilor, sunt utilizate 3 șaibe Grower. Vă rugăm să urmați procedura de mai jos pentru alinierea ușilor.



1. Înainte de a verifica alinierea ușilor, asigurați-vă că aparatul este poziționat corespunzător.
2. Dacă cele două uși superioare nu sunt aliniate, ridicați puțin ușa care este mai coborâtă și introduceți o șaibă Grower, cu ajutorul unui patent, între balamaua centrală și partea inferioară a ușii.



Avertisment! Aveți grijă ca ușa să nu vă prindă degetele. Vă rugăm să utilizați o unealtă.

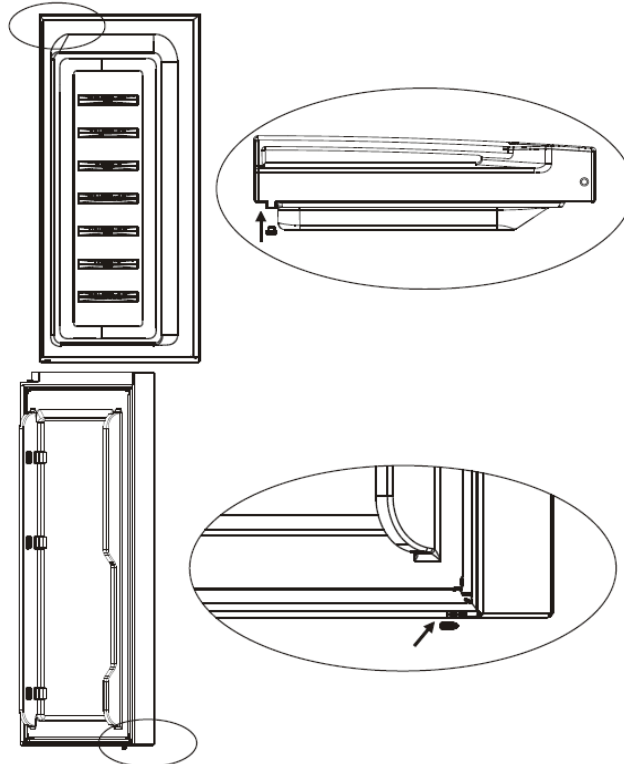
Avertisment! Nu lăsați șaibele Grower la îndemâna copiilor, pentru a evita înghițirea acestora de către copii. Acestea sunt componente de mici dimensiuni.

Opritoarele de cauciuc

Fiecare ușă este prevăzută cu câte un opritor de cauciuc. Acestea scad intensitatea impactului la închiderea ușii.



Vă rugăm să nu trageți de opritoarele de cauciuc. Dacă acestea lipsesc de pe uși, vă rugăm să luați opritoarele necesare din pungă cu accesorii și să le introduceți în orificiile special prevăzute pe uși.

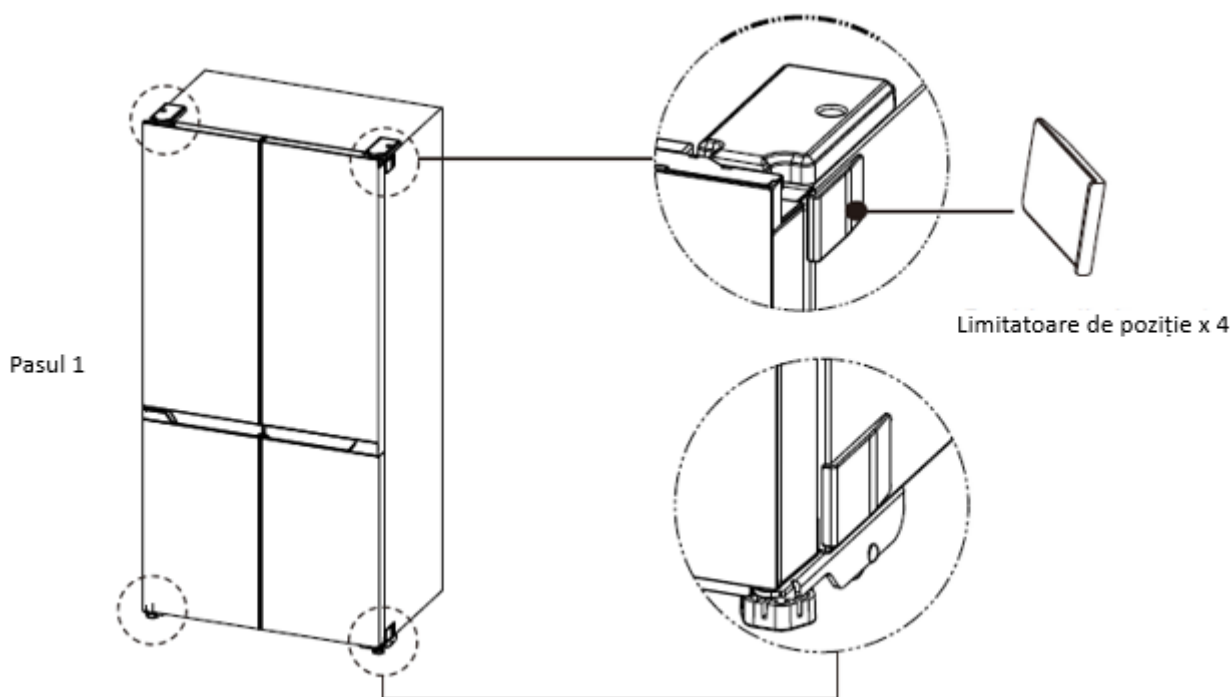


Avertisment! Nu lăsați opritoarele de cauciuc la îndemâna copiilor, pentru a evita înghițirea acestora de către copii. Acestea sunt componente de mici dimensiuni.

1. Instalarea limitatoarelor de poziție

În timpul utilizării zilnice, este posibil ca aparatul să se miște într-o oarecare măsură. Pentru a vă asigura că aparatul rămâne în poziția corectă în dulap, puteți instala limitatoarele înainte de a poziționa aparatul în dulap.

- a) Scoateți cele 4 limitatoare de poziție din pungă cu accesorii;
- b) Îndepărtați praful de pe colțurile aparatului;
- c) Îndepărtați banda dublu adezivă de pe limitator, aliniați-o cu colțurile aparatului și lipiți-o.

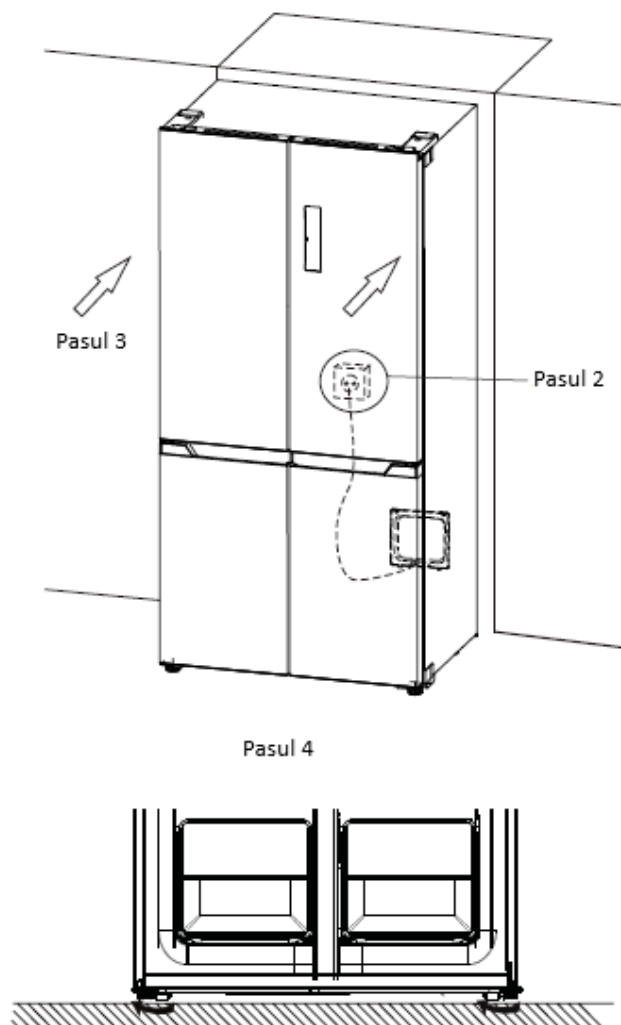


2. Conectați aparatul la sursa de alimentare.

3. Împingeți aparatul în poziția dorită

Aparatul este prevăzut în partea inferioară cu 4 roți și 2 picioare reglabile. Pentru a preveni eventualele deteriorări ale podelei, vă rugăm să ridicați picioarele reglabile înainte de a împinge aparatul.

4. Reglați picioarele pentru a stabili aparatul.



- Aparatul poate fi echilibrat prin reglarea picioarelor.
- Rotiți manual picioarele în sensul acelor de ceasornic pentru a le ridica.
- Rotiți manual picioarele în sens contrar acelor de ceasornic pentru a le coborî.

Poziționare

Instalați acest aparat într-un loc în care temperatura ambiantă corespunde clasei climatice indicate pe plăcuța cu informații tehnice a aparatului.

Pentru aparatele frigorifice cu clasă climatică:

- temperată extinsă: acest aparat frigorific este destinat a fi utilizat la temperaturi ambiante cuprinse între 10 °C și 32 °C (SN);
- temperată: acest aparat frigorific este destinat a fi utilizat la temperaturi ambiante cuprinse între 16 °C și 32 °C (N);
- subtropicală: acest aparat frigorific este destinat a fi utilizat la temperaturi ambiante cuprinse între 16 °C și 38 °C (ST);
- tropicală: acest aparat frigorific este destinat a fi utilizat la temperaturi ambiante cuprinse între 16 °C și 43 °C (T).

Locul instalării

Aparatul trebuie să fie amplasat departe de sursele de căldură precum caloriferele, boilerele și lumina directă a soarelui. Pentru asigurarea unei performanțe ridicate, în cazul în care aparatul este poziționat sub un corp de mobilier suspendat, distanța minimă dintre partea de sus a aparatului și corpul suspendat trebuie să fie de cel puțin 100 de mm. Totuși, în mod ideal, aparatul nu ar trebui amplasat sub corpuri de mobilier suspendate. Pentru a amplasa aparatul cu precizie în poziție orizontală utilizați picioarele reglabile de la bază. Acest aparat frigorific nu este destinat utilizării ca aparat încorporat.

Avertisment! Trebuie să existe posibilitatea de a deconecta aparatul de la sursa de alimentare; prin urmare, ștecărul trebuie să fie accesibil după instalare.

Conectarea la rețeaua electrică

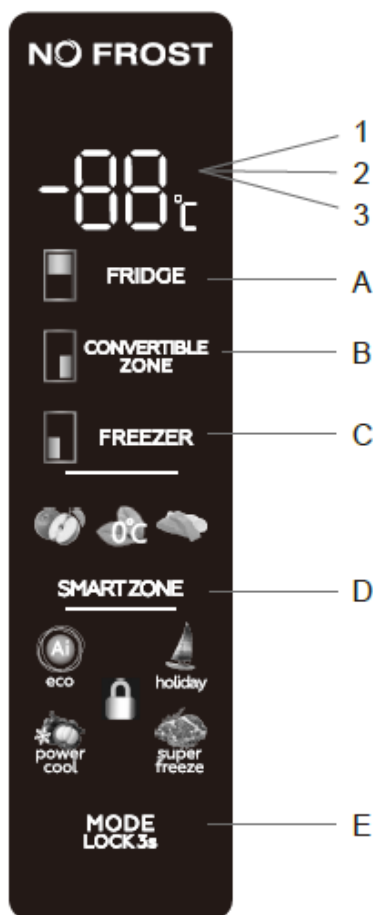
Dacă priza din locuință nu este legată la pământ, conectați aparatul la o împământare separată, în conformitate cu reglementările în vigoare, după ce ați consultat un electrician calificat.

Producătorul nu își asumă nicio răspundere în cazul în care aceste măsuri de siguranță nu sunt respectate.

Acest aparat este în conformitate cu Directivele C.E.E.

6. UTILIZARE COTIDIANĂ

Panoul de comandă



1.1 Funcțiile butoanelor

- A. Setarea temperaturii din compartimentul de refrigerare
- B. Setarea temperaturii din compartimentul convertibil
- C. Setarea temperaturii din compartimentul de congelare
- D. Setare zonei inteligente (Baby care, 0 °C Fresh, Soft freeze)
- E. Blocare/ Deblocare/Setare mod de funcționare

1.2 Afișajul LED

1. Temperatura din compartimentul de refrigerare
2. Temperatura din compartimentul de congelare
3. Temperatura din compartimentul convertibil

2. Condiții de funcționare

1. Panoul de comandă se aprinde complet timp 3 secunde, apoi afișează setările (modul și temperatura) stabilite anterior opririi aparatului. Sistemul se blochează automat după 25 de secunde de la ultima apăsare de buton. După blocare, afișajul se stinge după 120 de secunde de la ultima apăsare de buton.
2. Temperatura din compartimentul de refrigerare/congelare/convertibil va fi afișată separat, prin setarea temperaturii fiecărei zone.

Afișajul

- Panoul va sta aprins timp de 2 minute odată ce ușa compartimentului de refrigerare sau cea a compartimentului de congelare este deschisă (semnalele de la uși sunt transmise pe rând).
- Panoul se va aprinde prin acționarea oricărui buton și se va stinge la 2 minute de la ultima apăsare de buton.

- Afișajul se va comporta în acest mod în timpul funcționării normale.
 - Afișarea temperaturii din compartimentul de refrigerare: este indicată temperatura setării curente
 - Afișarea temperaturii din compartimentul de congelare: este indicată temperatura setării curente
 - Afișarea temperaturii din compartimentul convertibil: este indicată temperatura setării curente

3. Utilizarea butonului de reglare a temperaturii

3.1 Controlul temperaturii din compartimentul de refrigerare

a) controlul temperaturii din compartimentul de refrigerare

Acest buton este funcțional atât în cadrul unui mod definit de către utilizator, cât și în cadrul modului „Super”. După intrarea în modul de control al temperaturii compartimentului de refrigerare, acest buton se aprinde intermitent. Prin apăsarea consecutivă a butonului, temperatura se va modifica succesiv de la 2 °C la 3°C, 4°C, 5°C, 6°C, 7°C, 8°C, - - (Off). Dacă butonul se aprinde intermitent timp de 5 secunde, selectarea temperaturii este stabilită.

b. Oprirea funcționării compartimentului de refrigerare

Apăsați butonul pentru „Controlul temperaturii din compartimentul de refrigerare” și selectați „-”. Butonul se aprinde intermitent timp de 5 secunde, ceea ce înseamnă că setarea a fost selectată și că funcționarea compartimentului de refrigerare este oprită.

3.2 Controlul temperaturii din compartimentul de congelare

Acest buton este funcțional atât în cadrul unui mod definit de către utilizator, cât și în cadrul modului „Vacanță”.

După intrarea în modul de control al temperaturii compartimentului de congelare, acest buton se aprinde intermitent. Prin apăsarea consecutivă a butonului, temperatura se va modifica succesiv de la -14 °C la -15 °C, -16 °C, -17 °C, -18 °C, -19 °C, -20 °C, -21 °C, -22 °C. Dacă butonul se aprinde intermitent timp de 5 secunde, selectarea temperaturii este stabilită.

3.3 Controlul temperaturii din compartimentul convertibil

a. Controlul temperaturii din compartimentul convertibil:

Acest buton este funcțional atât în cadrul unui mod definit de către utilizator, cât și în cadrul altor moduri de funcționare. După intrarea în modul de control al temperaturii compartimentului convertibil, acest buton se aprinde intermitent. Prin apăsarea consecutivă a butonului, temperatura se va modifica succesiv de la 5 °C la 4 °C, 3 °C, 2 °C, 1 °C, 0 °C, -1 °C, -2 °C, -3 °C, -4 °C, -5 °C, -6 °C, -7 °C, -8 °C, -9 °C, -10 °C, -11 °C, -12 °C, -13 °C, -14 °C, -15 °C, -16 °C, -17 °C, -18 °C, -19 °C, -20 °C, --(Off). Dacă butonul se aprinde intermitent timp de 5 secunde, selectarea temperaturii este stabilită.

b. Oprirea funcționării compartimentului convertibil

Apăsați butonul pentru „Controlul temperaturii din compartimentul convertibil” și selectați „-”. Butonul se aprinde intermitent timp de 5 secunde, ceea ce înseamnă că setarea a fost selectată și că funcționarea compartimentului convertibil este oprită.

3.4 Controlul temperaturii din compartimentul “Zonă inteligentă”

Acest buton este funcțional atât în cadrul unui mod definit de către utilizator, cât și în cadrul modului „Super”. Prin atingerea consecutivă a tastei, logo-ul corespunzător fiecărei funcții se va aprinde secvențial, în ordinea: "Baby care", 0 °C fresh, "Soft freeze".

Temperatura corespunzătoare funcțiilor este:

- Baby care (3°C)
- 0 °C fresh (0°C)
- Soft freeze (-1.5°C)

3.5 Mod/Blocare/Deblocare

a. Prin atingerea consecutivă a acestui buton, modul de funcționare a frigiderului se va modifica în secvența Mod „ECO” - Mod „Vacanță” - Mod „Super” - Mod definit de utilizator. Dacă butonul se aprinde intermitent timp de 5 secunde, selectarea temperaturii este stabilită.

b. Apăsați lung pentru a activa/dezactiva modul de blocare

- Deblocare: Apăsați timp de 3 secunde atunci când aparatul este în modul de blocare, iar butoanele se vor debloca după un semnal sonor scurt.
- Blocare: Apăsați timp de 3 secunde atunci când aparatul este în modul de deblocare, iar butoanele se vor bloca după un semnal sonor scurt.

3.6 Butoanele panoului de comandă

La apăsarea oricărui buton, se va auzi un semnal sonor scurt. Butoanele răspund la comenzi numai dacă panoul de comandă este deblocat.

3.7 Funcția de blocare

În cazul în care nu este efectuată nicio operație timp de 25 de secunde, panoul de comandă se va bloca automat.

3.8 Modul „ECO”

Apăsați pe butonul „Mode” pentru a selecta modul „ECO”. Pictograma „ECO” se aprinde intermitent timp de 5 secunde și rămâne aprinsă.

Modul „ECO” setează o temperatură fixă de 6 °C în compartimentul de refrigerare și o temperatură de -16 °C în compartimentul de congelare. Apăsarea butonului „FRIDGE” sau „FREEZER” nu va avea efect, dar pictograma „ECO” se va aprinde intermitent timp de trei secunde. Temperatura compartimentului convertibil poate fi reglată separat.

Dezactivarea modului „ECO”:

Dacă doriți să dezactivați modul „Eco”, apăsați pe butonul „MODE” pentru a selecta un alt mod.

3.9 Modul „Vacanță”

Apăsați pe butonul „Mode” pentru a selecta modul „Vacanță”. Pictograma se aprinde intermitent timp de 5 secunde și rămâne aprinsă.

Temperatura va fi setată la 17 °C în compartimentul de refrigerare. Apăsarea butonului „FRIDGE” nu va avea efect, dar pictograma „Vacanță” se va aprinde intermitent timp de trei secunde, ca memento.

Temperatura compartimentului de congelare și cea a compartimentului convertibil pot fi reglate separat.

Dezactivarea modului „Vacanță”:

Dacă doriți să dezactivați modul „Vacanță”, apăsați pe butonul „MODE” pentru a selecta un alt mod.

3.10 Funcția de congelare „SUPER FREEZE”

Apăsați pe butonul „MODE” pentru a activa funcția „SUPER FREEZE”. Pictograma se aprinde intermitent timp de 5 secunde și rămâne aprinsă. Modul „SUPER FREEZE”: Temperatura din compartimentul de congelare (-25 °C) nu poate fi reglată. Apăsarea butonului „FREEZER” nu va avea efect, dar pictograma se va aprinde intermitent timp de trei secunde, ca memento.

Temperatura compartimentului de refrigerare și cea a compartimentului convertibil pot fi reglate separat.

Modul „SUPER FREEZE” se dezactivează astfel:

- dezactivare manuală a funcției de congelare „SUPER FREEZE”.

- dacă funcția de congelare „SUPER FREEZE” a fost activă mai mult de 50 de ore

Modul rămâne același înainte de activarea modului „SUPER FREEZE”.

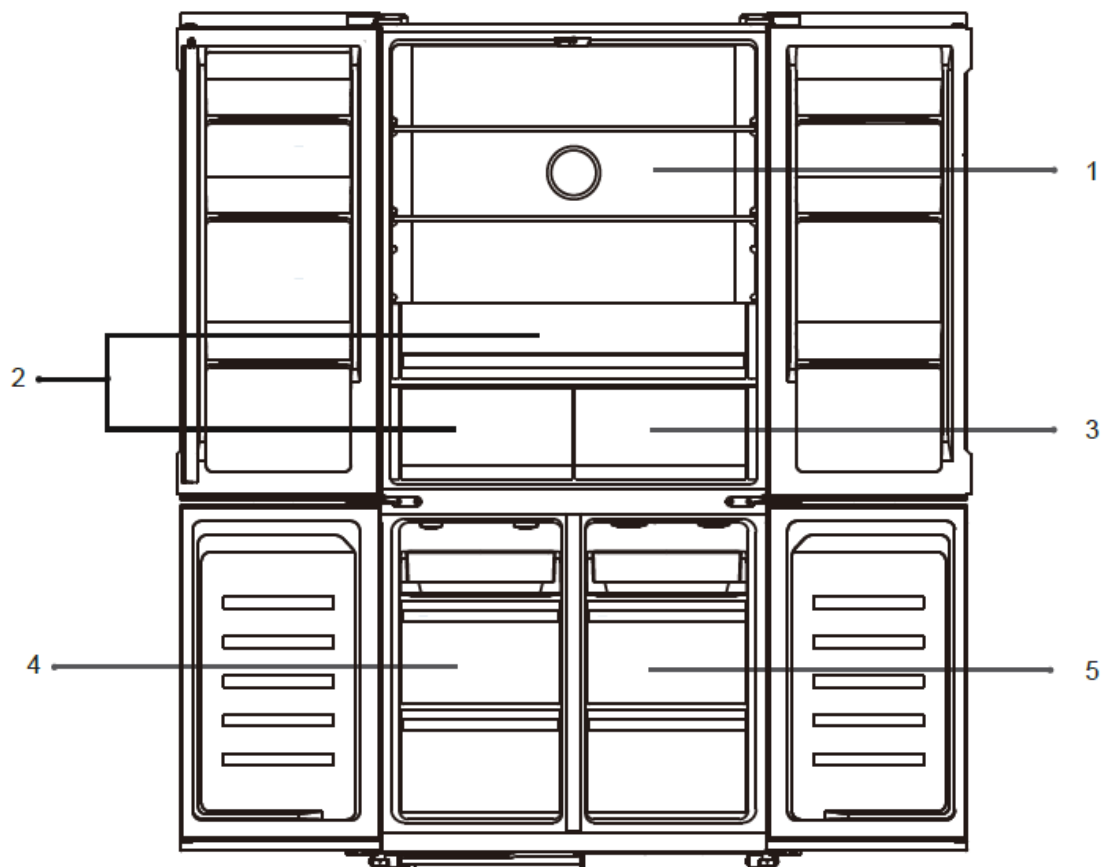
3.11 Funcția „Power cool”

Răcește compartimentul de refrigerare la cea mai joasă temperatură care se poate obține în acel compartiment. După aproximativ 2,5 ore, temperatura setată revine la valoarea anterioară.

3.12 Avertizarea privind deschiderea ușii

Dacă ușa compartimentului de refrigerare sau cea a compartimentului de congelare rămâne deschisă timp de 60 de secunde, alarma se va declanșa în cicluri consecutive până când ușa este închisă.

Zona cu temperaturi multiple



1. Temperatura compartimentului de refrigerare 2 °C ~ 8 °C/Oprit
Se controlează cu ajutorul panoului de comandă.
2. Temperatura de păstrare a alimentelor proaspete 2 °C ~ 8 °C
3. Temperatura în zona inteligentă -1,5 °C / 0 °C / 3 °C
4. Temperatura compartimentului de congelare -22 °C~-14 °C
Se controlează cu ajutorul panoului de comandă.
5. Temperatura compartimentului convertibil -20 °C ~ 5 °C/Oprit
Se controlează cu ajutorul panoului de comandă.

Prima utilizare - Curățarea interiorului aparatului

Înainte de a folosi aparatul pentru prima dată, spălați interiorul și toate accesoriile interne cu apă caldă și cu detergent neutru, pentru a înlătura mirosul specific de produs nou, apoi uscați-le bine.

Important! Nu folosiți detergenți sau prafuri abrazive, deoarece acestea vor deteriora suprafețele.

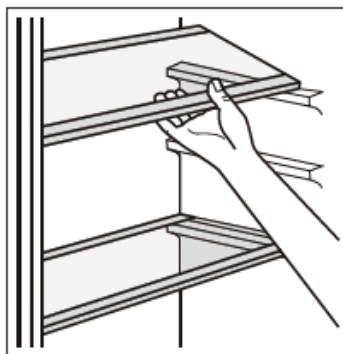
Dezghețarea

Înainte de a fi utilizate, alimentele congelate pot fi dezghețate în compartimentul de refrigerare sau la temperatura camerei, în funcție de timpul de care dispuneți pentru această operație.

Bucățile mici pot fi gătitе congelate, luate direct din congelator. În acest caz, durata de gătitе va fi mai mare.

Rafturi detașabile

Pereții frigiderului sunt prevăzuți cu ghidaje de suport, astfel încât rafturile să poată fi poziționate în funcție de preferințe.



Poziționarea rafturilor de pe ușă

Pentru facilitarea depozitării ambalajelor de alimente de diferite dimensiuni, rafturile de pe ușă pot fi poziționate la diferite înălțimi. Pentru efectuarea acestor operații, procedați după cum urmează: trageți ușor raftul în direcția săgeților până acesta iese, apoi repositionați-l în funcție de preferințe.

Cuburi de gheață

Acest aparat poate fi prevăzut cu una sau mai multe tăvi destinate producerii cuburilor de gheață.

Congelarea alimentelor proaspete


- Compartimentul de congelare este adecvat pentru congelarea alimentelor proaspete și pentru conservarea pe termen lung a alimentelor congelate.
- Așezați alimentele proaspete în compartimentul de congelare.
- Cantitatea maximă de alimente ce pot fi congelate în 24 de ore este specificată pe plăcuța cu date tehnice.
- Procesul de congelare durează 24 de ore: în acest interval, nu adăugați alte alimente în vederea congelării.

Conservarea alimentelor congelate

La prima pornire sau după o perioadă de neutilizare, înainte de a introduce alimentele în compartiment, lăsați aparatul să funcționeze timp de cel puțin 2 ore la setările pentru temperaturile cele mai scăzute.

Important! În cazul dezghețării accidentale, de exemplu din cauza unei întreruperi a furnizării de energie electrică, dacă întreruperea a durat mai mult decât valoarea indicată în tabelul cu caracteristici tehnice, alimentele decongelate trebuie consumate rapid sau trebuie gătite imediat și apoi recongelate (după gătire).

Recomandări privind setarea temperaturii

Recomandări privind setarea temperaturii		
Temperatura mediului ambiant	Setarea temperaturii	
Vara (Peste 38 °C)		Frigider setat la 2 °C
		Congelator setat la -20 °C
Normal		Frigider setat la 4 °C
		Congelator setat la -18 °C
Iarna (sub 16 °C)		Frigider setat la 5 °C
		Congelator setat la -18 °C

Informațiile de mai sus oferă utilizatorilor recomandări privind setarea temperaturii. Temperatura de setare a zonei convertibile depinde de gradul de încărcare cu alimente.

Poziționarea alimentelor

Puneți diferitele tipuri de alimente în compartimente diferite, așa cum este indicat în tabelul de mai jos:

Compartimentele frigiderului	Tipuri de alimente
Rafturi pe ușa compartimentului de refrigerare	Alimente care conțin conservanți naturali, precum gemuri, sucuri, băuturi, condimente. Nu depozitați alimente care se alterează repede.
Compartiment pentru legume	Fructele, ierburile și legumele trebuie puse separat în sertarul pentru legume și fructe. Nu depozitați în frigider banane, ceapă, cartofi sau usturoi
Raft frigider	Lactate, ouă, prăjituri, paste, pizza Alimente care nu necesită preparare, alimente gata pentru consum, mezeluri, mâncare rămasă.
Zona cu nivel controlat de umiditate	Menține umiditatea și prospețimea. Prelungește durata de depozitare. Fructe și legume proaspete, delicatose.
Zona inteligentă	Funcția „Baby care”: 3 °C, alimente pentru bebeluși, delicatose. Funcția „0 °C fresh”: 0 °C, băuturi, bere, vin roșu, delicatose

	Funcția „Soft freeze”: -1,5 °C, refrigerarea alimentelor cum ar fi carnea crudă, peștele, fructele de mare, găluștele etc. pentru depozitare pe termen scurt.
Compartiment convertibil	-20 °C~5 °C, pentru o gamă largă de alimente ce pot fi congelate sau refrigerate la temperaturi variabile. 3 °C~5 °C: fructe și legume proaspete 0 °C~2 °C: băuturi, bere, vin roșu -7 °C~-1 °C: refrigerarea alimentelor cum ar fi carnea crudă, peștele, fructele de mare, găluștele etc. pentru depozitare pe termen scurt. -20°C~-8°C: refrigerarea alimentelor cum ar fi carnea crudă, peștele, fructele de mare, găluștele etc. pentru depozitare pe termen lung.
Compartimentul de congelare	Pentru alimente care pot fi depozitate pe termen lung. Fructe de mare, pește, carne, găluște, produse de patiserie congelate.

Nr. de ordine	Tipul compartimentului	Temperatură de depozitare recomandată [°C]	Alimente potrivite
1	Frigider	+2≤+6	Ouăle, alimentele gătite, alimentele ambalate, fructele și legumele, lactatele, prăjiturile și băuturile nu sunt potrivite pentru congelare.
2	(***)*-Congelare	≤-18	Fructele de mare (peștele, creveții, crustaceele), produsele de acvacultură și cele din carne sunt potrivite pentru congelare (se recomandă depozitarea acestora timp de 3 luni; cu cât durata de depozitare este mai mare, cu atât gustul și proprietățile nutritive se pierd).
3	***-Congelare	≤-18	Fructele de mare (peștele, creveții, crustaceele), produsele de acvacultură și cele din carne nu sunt potrivite pentru congelare (se recomandă depozitarea acestora timp de 3 luni; cu cât durata de depozitare este mai mare, cu atât gustul și proprietățile nutritive se pierd).
4	** - Congelare	≤-12	Fructele de mare (peștele, creveții, crustaceele), produsele de acvacultură și cele din carne nu sunt potrivite pentru congelare (se recomandă depozitarea acestora timp de 2 luni; cu cât durata de depozitare este mai mare, cu atât gustul și proprietățile nutritive se pierd).
5	*-Congelare	≤-6	Fructele de mare (peștele, creveții, crustaceele), produsele de acvacultură și cele din carne nu sunt potrivite pentru congelare (se recomandă depozitarea acestora timp de 1 luni; cu cât durata de depozitare este mai mare, cu atât gustul și proprietățile nutritive se pierd).

6	fără stele	-6≤0	Carne proaspătă de porc, vită și pui, pește proaspăt, anumite alimente prelucrate și ambalate etc. (se recomandă să fie consumate în aceeași zi, de preferință în termen de cel mult 3 zile). Alimente prelucrate, ambalate parțial (alimente necongelabile)
7	Răcire	-2≤+3	Carne proaspătă/congelată de porc, vită și pui, produse de acvacultură etc.(aceste alimente pot fi păstrate cel mult 7 zile la temperaturi sub 0 °C; în cazul păstrării la temperaturi care depășesc 0 °C, se recomandă să fie consumate în aceeași zi, de preferință în termen de cel mult 2 zile). Fructe de mare (aceste alimente pot fi păstrate cel mult 15 zile la temperaturi sub 0 °C; nu se recomandă păstrarea acestora la temperaturi care depășesc 0 °C).
8	Alimente proaspete	0≤+4	Carne proaspătă de porc, vită și pui, mâncare gătită etc. (se recomandă să fie consumate în aceeași zi, de preferință în termen de cel mult 3 zile).
9	Vin	+5≤+20	Vin roșu, vin alb, vin spumant etc.

Durate de depozitare a alimentelor

În cazul respectării recomandărilor privind setarea temperaturii, durata maximă de depozitare a alimentelor în compartimentul de refrigerare este de 3 zile.

În cazul respectării recomandărilor privind setarea temperaturii, durata maximă de depozitare a alimentelor în compartimentul de congelare este de 1 lună.

Durata maximă de depozitare a alimentelor poate fi mai redusă în cazul utilizării altor setări.

7. RECOMANDĂRI ȘI SFATURI UTILE

Recomandări privind congelarea

Pentru a obține o congelare cât mai eficientă, iată câteva recomandări importante:

- cantitatea maximă de alimente ce pot fi congelate în 24 de ore este specificată pe plăcuța cu date tehnice;
- procesul de congelare durează 24 de ore; În acest interval de timp, nu mai pot fi adăugate alte alimente în compartimentul de congelare.
- congelați numai alimente de calitate superioară, proaspete și bine curățate;
- Pregătiți porții mici de alimente, care să poată fi congelate rapid și complet, pentru ca apoi să puteți dezgheța numai cantitatea necesară;
- Înfășurați alimentele în folie de aluminiu sau polietilenă și asigurați-vă că pachetele sunt etanșe;
- asigurați-vă că alimentele proaspete, necongelate nu intră în contact cu cele deja congelate, evitând astfel creșterea temperaturii acestora din urmă;
- alimentele fără grăsime se păstrează mai bine și pentru o perioadă mai îndelungată decât cele cu grăsimi; sarea reduce perioada de păstrare a alimentelor;
- dacă sunt consumate imediat după scoaterea din congelator, înghețatele pot cauza leziuni ale pielii și degerături;
- vă recomandăm să notați data congelării pe fiecare pachet cu alimente, pentru a putea ține evidența perioadei de conservare.
- vă recomandăm să notați data congelării pe fiecare pachet cu alimente, pentru a putea ține evidența perioadei de conservare.

Recomandări privind conservarea alimentelor congelate

Pentru a obține rezultate cât mai eficiente cu acest aparat, vă recomandăm următoarele:

- asigurați-vă că alimentele congelate au fost păstrate corespunzător în magazin;
- asigurați-vă că alimentele congelate sunt transferate din magazin în congelator cât mai repede posibil;
- nu deschideți ușa prea des și nu o lăsați deschisă mai mult decât este necesar;
- după dezghețare, alimentele se deteriorează rapid și nu pot fi recongelate;
- nu depășiți perioadele de păstrare indicate de producătorul alimentelor.

Recomandări privind refrigerarea alimentelor proaspete

Pentru obținerea unor performanțe optime:

- Nu depozitați în aparat mâncare caldă sau lichide care se evaporă.
- Acoperiți sau împachetați alimentele, în special în cazul în care acestea emit mirosuri puternice.
- Carnea (de toate tipurile) se împachetează în folie de polietilenă și se așază pe raftul din sticlă situat deasupra sertarului pentru legume și fructe.
- Pentru siguranță, depozitați carnea în acest mod numai timp de o zi sau cel mult două.
- Alimentele gătite, mezelurile etc.: acestea trebuie acoperite și așezate pe orice raft.
- Fructe și legume: acestea trebuie curățate bine și așezate în sertarele destinate acestora.
- Unt și brânzeturi: acestea trebuie așezate în recipiente speciale închise ermetic sau înfășurate în folie din aluminiu sau în pungi de polietilenă cât mai etanșe.
- Sticle de lapte: acestea trebuie prevăzute cu capac și depozitate în rafturile de pe ușă.
- În cazul în care nu sunt ambalate, bananele, cartofii, ceapa și usturoiul nu trebuie păstrate la frigider.

Curățarea

Din motive de igienă, interiorul aparatului și accesoriile interne trebuie să fie curățate în mod regulat.

Atenție! În timpul curățării, aparatul trebuie să fie deconectat de la sursa de alimentare cu energie electrică. Pericol de electrocutare! Înainte de a curăța aparatul, opriți-l și scoateți ștecărul din priză sau întrerupeți circuitul electric general al locuinței. Nu curățați aparatul cu un dispozitiv de curățare cu abur. Pericol de electrocutare! Umezeala se poate acumula în componentele electrice. Aburii fierbinți pot deteriora componentele din plastic. Înainte de a repune aparatul în funcțiune, asigurați-vă că acesta este uscat.

Important! Uleiurile eterice și solvenții organici (sucul de lămâie sau sucul din coaja de portocală, acidul butiric, substanțele de curățat care conțin acid acetic) pot ataca elementele din plastic ale aparatului.

- Nu lăsați substanțe de acest tip să intre în contact cu piesele aparatului.
- Nu folosiți substanțe de curățat abrazive.
- Scoateți alimentele din congelator. Depozitați-le într-un loc răcoros și acoperiți-le bine.
- Opriți aparatul și scoateți ștecărul din priză sau întrerupeți circuitul electric general din locuință.
- Curățați aparatul și accesoriile interne cu o lavetă și apă caldă. După curățarea aparatului, clătiți-l cu apă curată și ștergeți-l cu o lavetă uscată.
- După ce toate componentele sunt din nou uscate, puteți repune aparatul în funcțiune.

Descrierea funcției „No Frost”

Acest aparat este prevăzut cu funcția „No frost”, iar dezghețarea are loc în mod automat.

8. REMEDIEREA PROBLEMELOR

În cazul în care aveți probleme cu aparatul sau vă preocupă faptul că acesta nu funcționează corect, puteți urma recomandările de mai jos pentru a efectua unele verificări înainte de a apela la asistență tehnică specializată.

Atenție! Înainte de a remedia defecțiunile scoateți ștecărul din priză. Problemele tehnice care nu sunt prezentate în acest manual pot fi remediate numai de către un electrician calificat.

Important! În timpul utilizării normale, se pot auzi unele sunete (compresorul, circulația agentului de răcire).

Problemă	Cauză posibilă	Soluție
Aparatul nu funcționează	Ștecărul nu este introdus corect în priză.	Introduceți ștecărul în priză.
	Siguranța s-a ars sau este defectă.	Verificați siguranța. Dacă este necesar, înlocuiți-o.
	Priza este defectă.	Defecțiunile sursei de alimentare cu energie electrică trebuie remediate de către un electrician.
Aparatul răcește sau congelează prea mult.	Temperatura setată este prea scăzută sau aparatul funcționează la setarea SUPER.	Rotiți temporar butonul regulatorului către o poziție inferioară.
Alimentele nu sunt congelate suficient.	Temperatura nu este reglată corect.	Vă rugăm să citiți capitolul privind setarea temperaturii.
	Ușa a fost lăsată deschisă pentru o perioadă îndelungată.	Nu țineți ușa deschisă mai mult decât este necesar.
	În ultimele 24 de ore, au fost introduse în aparat alimente calde în cantitate mare.	Rotiți temporar butonul regulatorului la o poziție superioară.
	Aparatul se află lângă o sursă de căldură.	Vă rugăm să citiți capitolul privind locul instalării aparatului.
Se formează multă gheață pe garnitura ușii.	Garnitura ușii nu etanșează corespunzător.	Încălziți cu grijă secțiunile neetanșabile ale garniturii ușii, cu ajutorul unui uscător de păr (la o temperatură nu foarte ridicată). În același timp, modelați garnitura încălzită, astfel încât aceasta să fie poziționată corect.
Curge apă pe podea	Orificiul de scurgere este înfundat	Consultați secțiunea referitoare la curățare și întreținere
Zgomote neobișnuite	Aparatul nu este stabil.	Reglați picioarele
	Aparatul atinge peretele sau alte obiecte.	Mutați puțin aparatul.
	O componentă (de exemplu, o conductă a aparatului) atinge o altă piesă a aparatului sau peretele.	Dacă este necesar, îndoiiți cu atenție componenta, astfel încât aceasta să nu mai atingă nimic.

Dacă defecțiunea apare din nou, contactați un centru de service autorizat.

SERVICE ȘI ASISTENȚĂ PENTRU CLIEȚI

Utilizați numai piese de schimb originale.

Când contactați centrul nostru de service autorizat, asigurați-vă că aveți la îndemână următoarele informații: Denumirea modelului și numărul de serie.

Informațiile pot fi găsite pe plăcuța cu date tehnice. Acestea pot suferi modificări fără o notificare prealabilă.

DATE TEHNICE

Informațiile tehnice se află pe plăcuța cu date tehnice a aparatului și pe eticheta energetică.

Codul QR de pe eticheta energetică furnizată împreună cu aparatul oferă un link web către informațiile din baza de date EPREL cu privire la performanțele aparatului.

Păstrați eticheta energetică pentru consultări ulterioare, împreună cu manualul de utilizare și cu toate celelalte documente furnizate împreună cu acest aparat.

De asemenea, puteți găsi aceleași informații în baza de date EPREL, folosind link-ul <https://eprel.ec.europa.eu> și denumirea modelului și numărul de serie al produsului, pe care le găsiți pe plăcuța cu date tehnice a aparatului.

Pentru a accesa informațiile despre produsul dvs. în portalul EPREL, puteți scana codurile de mai jos:



Vă mulțumim pentru achiziționarea acestui produs! Dacă aveți nevoie de asistență în ceea ce privește produsul dumneavoastră, vizitați site-ul nostru web utilizând linkurile de mai jos:

Get User manuals: <https://www.heinner.ro>

Get Service information: <https://www.heinner.ro>



MASURI PENTRU PROTECTIA MEDIULUI

Va informam ca persoanele fizice au urmatoarele obligatii prin legislatia specifica privind protectia mediului si regimul deseurilor:

- Deseurile de echipamente electrice si electronice (DEEE), pot contine substante periculoase pentru mediu si sanatatea umana. Conform OUG 5/2015, exista obligativitatea predarii acestora, pentru tratarea corespunzatoare si valorificarea componentelor reciclabile. Societatea Network One Distribution S.R.L. este platitoare de taxa de "timbru verde" pentru fiecare Echipament Electric si Electronic (EEE) pe care il pune pe piata. Acest cost asigura tratarea ulterioara a echipamentelor uzate colectate. Din acest motiv, odata ce devine deseu, produsul EEE poate fi predat gratuit operatorului Dvs. de salubritate, la magazine atunci cand achizitionati alt echipament similar, sistemul "unul la unu" sau la punctul de colectare organizat de Primaria Sectorului / localitatii Dvs.
- Simbolul (marcajul) aplicat produselor, care indica faptul ca deseurile DEEE, bateriile si acumulatorii - fac obiectul unei colectari separate, il reprezinta o pubela barata cu o cruce.



Aceste masuri vor ajuta la protejarea mediului

Societatea Network One Distribution S.R.L. este inregistrata in Registrul de punere pe piata a echipamentelor electrice si electronice, avand numarul de inregistrare: RO-2016-03-EEE-0201-IV. De asemenea, au fost intocmite si sunt gestionate: Registrul de Retragere EEE si Registrul de Rechemare EEE, in conformitate cu HG 322/2013. Totodata societatea este inregistrata in Registrul de punere pe piata a bateriilor, avand numarul de inregistrare: RO-2011-03-B&A-0283.

Conformitatea cu directiva RoHS: Produsul pe care l-ați cumpărat este conform cu Directiva RoHS UE (2011/65/UE). Nu conține materialele dăunătoare și interzise specificate în Directivă.

Va multumim ca participati alaturi de noi la protejarea mediului si a sanatatii umane!



HEINNER este marcă înregistrată a companiei **Network One Distribution SRL**. Celelalte branduri și denumirile produselor sunt mărci de comerț sau mărci de comerț înregistrate ale respectivilor deținători.

Nicio parte a specificațiilor nu poate fi reprodusă, sub nicio formă și prin niciun mijloc, nici utilizată pentru obținerea unor derivate precum traduceri, transformări sau adaptări, fără consimțământul prealabil al companiei NETWORK ONE DISTRIBUTION.

Copyright © 2013 Network One Distribution. Toate drepturile rezervate.

www.heinner.com, <http://www.nod.ro>

<http://www.heinner.com>, <http://www.nod.ro>



Acest produs este proiectat și realizat în conformitate cu standardele și normele Comunității Europene.



Importator: **Network One Distribution**

Str. Marcel Iancu, nr. 3-5, București, România

Tel: +40 21 211 18 56, www.heinner.com, www.nod.ro

КОМБИНИРАН ХЛАДИЛНИК „SIDE BY SIDE”

Модел:

HSBS-HM505MDSINFDXE++



- Общ капацитет: 505 л.
- Енергиен клас: E

HEINNER

1. ВЪВЕДЕНИЕ

Моля прочетете внимателно инструкциите и запазете наръчника за бъдещи справки. Този наръчник има за цел да Ви предостави всички необходими инструкции по отношение на инсталирането, използването и поддържането на уреда. Преди инсталиране и използване на уреда, с цел правилна и безопасна употреба на уреда, моля прочетете внимателно този наръчник с инструкции.

2. СЪДЪРЖАНИЕ НА ВАШИЯ ПАКЕТ

- ➔ **Комбиниран хладилник „Side by Side”**
- ➔ **Наръчник за употреба**
- ➔ **Сертификат за гаранция**

3. ПРЕДУПРЕЖДЕНИЯ ОТНОСНО БЕЗОПАСНОСТТА

За Вашата безопасност и за правилна употреба, преди да инсталирате и използвате устройството за първи път, прочетете внимателно този наръчник за потребителя, включително препоръките и предупрежденията. За да се избегнат излишни грешки и злополуки е много важно да се уверите, че всички хора, които използват устройството са запознати с начина на експлоатация и мерките за безопасност. Запазете тези инструкции и се уверете, че ще останат заедно с уреда, ако той бъде преместен или продаден, така че всеки, който го използва в срок на неговата експлоатация да бъде добре информиран във връзка с неговата употреба и с мерките за сигурност. За безопасност на живота и имуществото, спазвайте разпоредбите в този наръчник за потребителя, тъй като производителя не носи отговорност за щетите причинени поради пропуски.

Безопасност за деца и други уязвими лица

- Уредът може да се използва от деца на възраст от 8 години и от лица с намалени физически, сетивни или умствени възможности, които нямат опит или познания само, ако са наблюдавани или обучени относно безопасната употреба на уреда и, ако разбират опасностите, свързани с употребата.
- Децата на възраст над 3 години имат право да поставят и изваждат храни от хладилните уреди.
- Децата трябва да бъдат наблюдавани, така че да не си играят с уреда.
- Почистването и поддръжката, не могат да се извършват от деца, освен ако те са на поне 8 годишна възраст и са под наблюдение.
- Не оставяйте опаковките на достъпни места за деца. Опасност от задушаване.
- За да избегнете ситуации, в които децата могат да пострадат от токов удар или да се затворят вътре в устройството, преди да го изхвърлите, изключете щепсела от контакта, отрежете захранващия кабел (възможно най-близо до устройството) и премахнете вратата на уреда.
- Ако това устройство (което е снабдено с магнитна система за затваряне) заменя по-стар уред, снабден с пружинно затваряне (клипс) на вратата или на капака, преди да изхвърлите старото устройство се уверете, че пружинното затваряне не може да се използва повече. По този начин децата не могат да останат блокирани вътре.

Общи мерки за безопасност

ПРЕДУПРЕЖДЕНИЕ! Уверете се, че отворите за проветрение върху корпуса на уреда или върху неговото тяло не са запушени.

ПРЕДУПРЕЖДЕНИЕ! Не използвайте механични устройства или други средства за ускоряване на процеса за размразяване освен тези, които са препоръчани от производителя.

ПРЕДУПРЕЖДЕНИЕ! Не повреждайте мрежата на хладилния агент.

ПРЕДУПРЕЖДЕНИЕ! Не използвайте други електрически устройства (като, например, машини за сладолед) вътре в отделенията за съхранение на хранителните продукти на това устройство, освен ако не са от препоръчания от производителя вид.

ПРЕДУПРЕЖДЕНИЕ! Не докосвайте лампата в случай, че е останала светната за дълго време, защото може да бъде много гореща.

ПРЕДУПРЕЖДЕНИЕ! Когато позиционирате уреда, уверете се, че не сте смачкали или повредили охранващия кабел.

ПРЕДУПРЕЖДЕНИЕ! Не поставяйте зад уреда разклонители за контакт или преносими източници на хранване.

ПРЕДУПРЕЖДЕНИЕ! Хладилният агент и изолационният газ са запалими. Елиминирайте уреда само чрез депониране в оторизиран център за елиминиране на отпадъци. Не излагайте уреда на огън.

- Не съхранявайте в това устройство взривни вещества, като аерозолни спрейове със запалима течност.
- Хладилната верига на устройството съдържа охладителен агент R600a (изобутан), природен газ с висока степен на съвместимост с околната среда, но запалим.
- По време на транспортирането и монтажа на устройството се уверете, че нито един от компонентите на хладилната верига не е повреден.
 - Избягвайте употребата на открит пламък и източници за запалване.
 - Проветрете добре стаята, в която се намира устройството.
- Всякаква промяна на спецификациите или на продукта е опасна. Всяка повреда на охранващия кабел може да създаде риск от късо съединение, пожар или токов удар.
- Този уред е предназначен за използване в жилища и в други подобни обекти:
 - кухни на персонала в магазини, офиси и други работни среди;
 - в домакинствата и от клиенти на хотели, мотели и други жилищни среди;
 - среди от тип пансион с предлагана закуска;
 - дейности от вида на кетъринг и доставки на едро.

ПРЕДУПРЕЖДЕНИЕ! Електрическите компоненти (щепсела, охранващия кабел, компресора) трябва да бъдат заменени от квалифициран електротехник или от компетентно лице.

ПРЕДУПРЕЖДЕНИЕ! Лампата, доставена с устройството е „лампа за специално използване“ и може да бъде използвана само за този уред. Тази „лампа за специално използване“ не може да бъде използвана за битово осветление.

ПРЕДУПРЕЖДЕНИЕ! Крушките не трябва да се сменят от потребителя! Ако крушките се повредят, обърнете се към специализиран сервиз. Това предупреждение е валидно само за хладилници, оборудвани с осветителни лампи.

- Не удължавайте охранващия кабел.
- Уверете се, че щепселът не е смачкан или повреден от задната страна на устройството. В случай, че охранващия кабел е смачкан или повреден, той може да прегрее и да причини пожар.
- Уверете се, че имате достъп до щепсела на устройството.
- Не дърпайте охранващия кабел.
- Ако контакта, в който трябва да се включи щепсела е разхлабен, не включвайте щепсела в него. Съществува риск от токов удар и пожар.
- Не употребявайте устройството без капак на лампата за вътрешно осветление.
- Устройството е тежко. Премествайте го внимателно.
- Не изваждайте и не докосвайте предмети от фризера, ако ръцете Ви са влажни / мокри, защото това може да причини увреждания на кожата или измръзване.
- Избягвайте продължителното излагане на устройството на пряка слънчева светлина.

Хладилният агент

Хладилната верига на устройството съдържа охладителен агент R600a (изобутан), природен газ с висока степен на съвместимост с околната среда, но запалим. По време на транспортирането и монтажа на устройството се уверете, че нито един от компонентите на хладилната верига не е повреден. Хладилният агент (R600a) е запалим.

ПРЕДУПРЕЖДЕНИЕ! Хладилниците съдържат хладилен агент и изолационни газове. Хладилният агент и газовете трябва да бъдат обезвредени по съответстващ начин, защото могат да предизвикат очни наранявания или могат да се запалят.

Преди обезвреждане, уверете се, че системата от тръбопроводи на охлаждащия кръг не е повредена.



ВНИМАНИЕ! Опасност от пожар!

Ако охладителната верига е повредена:

- Избягвайте употребата на открит пламък и източници за запалване.
- Проветрете добре стаята, в която се намира устройството.

Ежедневна употреба

- Не поставяйте горещи предмети върху пластмасовите компоненти на устройството.
- Не поставяйте храни директно до задната стена във вътрешността на уреда.
- Не замразявайте повторно размразени храни.
- Съхранявайте опакованите замразени храни в съответствие с инструкциите на производителя на замразените храни.
- Спазвайте стриктно препоръките за съхранение от страна на производителя на това устройство. Вижте съответните указания.
- Не съхранявайте газирани напитки във фризера, защото се създава налягане върху съдовете, които могат да експлодират, което води до повреди на устройството.
- Замразените храни могат да предизвикат измръзване, ако се консумират директно от фризера.¹⁾
- За да избегнете заразяването на храни, спазвайте инструкциите по-долу.
 - Ако вратата на уреда е оставена отворена за дълъг период от време, температурата в отделенията на уреда се увеличава значително.
 - Почиствайте периодично повърхностите, които могат да влязат в контакт с храните, както и източващите системи на уреда.
 - Почистете резервоарите за вода, ако не са използвани дозаторите в продължение на 48 часа; водата от системите, свързани с водоснабдяването, трябва да се източи, ако системите не са използвани в продължение на 5 дни.
 - Съхранявайте суровото месо и прясната риба в подходящи съдове, така че продуктите да не влязат в контакт с други храни.
 - Фризерните отделения с две звезди (ако са налични в уреда) са подходящи за съхранение на предварително замразени храни, за съхранение или приготвяне на сладолед и за производство на кубчета лед.
 - Отделенията с една, две и три звезди не са подходящи за замразяване на пресни храни.
 - Ако хладилният уред ще бъде оставен празен за дълъг период от време, изключете го, размразете го, почистете го, избършете го добре и оставете вратата му отворена, за да се предотврати образуването на мухъл във вътрешността му.

Почистване и поддръжка

- Преди мерките за поддръжка, изключете устройството и извадете щепсела от контакта.
- Не почиствайте устройството с метални предмети.
- Не използвайте остри предмети за отстраняване на леда от устройството. Използвайте пластмасова стъргалка.
- Проверявайте редовно дренажния отвор на устройството. Ако е необходимо, почистете дренажния отвор. Ако дренажния отвор е запушен, ще се събере вода в долната част на устройството.

Инсталиране

Важно! За свързване към електрическата мрежа, следвайте внимателно инструкциите.

- Разопакувайте устройството и проверете за повреди. Ако уредът е повреден, не го свързвайте към източника за захранване. Ако устройството е повредено, незабавно съобщете това на търговеца, от който сте го закупили. В такъв случай запазете опаковката.
- Препоръчваме Ви да изчакате най-малко четири часа, преди да свържете устройството към електрическата мрежа, за да може маслото да има време да се върне в компресора.

- Въздухът трябва да може да се движи свободно около устройството. Без тази вентилация, уреда може да прегрее. За да получите подходяща вентилация спазвайте инструкциите за инсталиране.
- Ако е възможно, ограничителите на продукта трябва да бъдат насочени към стената, за да се избегне докосването или хващането на горещите части (компресор, кондензатор) и, за да предотвратите евентуални изгаряния.
- Не поставяйте устройството близо до радиатори или готварски печки.
- Уверете се, че имате достъп до щепсела, след инсталиране на устройството.


Ремонти

- Електрическите дейности, необходими за ремонт на устройството трябва да бъдат извършени от квалифициран електротехник или от компетентно лице.
- Продуктът трябва да бъде ремонтиран от оторизиран сервизен център, като се използват само оригинални резервни части.

Съвети за пестене на енергия

- Не поставяйте топла храна в уреда.
- Не съхранявайте храните една до друга, защото затрудняват въздушната циркулация.
- Уверете се, че храните не докосват задната страна на отделениято/отделенията.
- Ако доставянето на електроенергия бъде прекъснато, не отваряйте вратата/вратите.
- Не отваряйте често вратата/вратите.
- Не оставяйте вратата/вратите отворени за прекалено дълго време.
- Не настройвайте термостата на по-ниска температура, отколкото е необходимо.
- За ниска консумация на енергия, всички аксесоари, като рафтове, чекмеджета и рафтове на вратите, трябва да се държат в предвидените за тях позиции.

Опазване на околната среда

Това устройство не съдържа газове, които биха могли да навредят на озоновия слой, нито в охладителната верига, нито в изолационните материали. Устройството не трябва да се изхвърля заедно с битовите отпадъци и боклук. Изолационната пяна съдържа запалими газове: устройството трябва да се изхвърля в съответствие с разпоредбите, приети от местните власти. Избягвайте повреди на охладителния блок, по-специално на топлообменника. Символът , отбелязан на някои материали, използвани при производството на устройството показва, че те могат да се рециклират.

Опаковъчни материали

Материалите обозначени с този символ могат да бъдат рециклирани. Изхвърляйте опаковките в специални контейнери за рециклиране.

Обезвреждане (изхвърляне) на уреда

1. Изключете щепсела от източника за захранване с енергия.
2. Отрежете захранващият кабел и го изхвърлете.

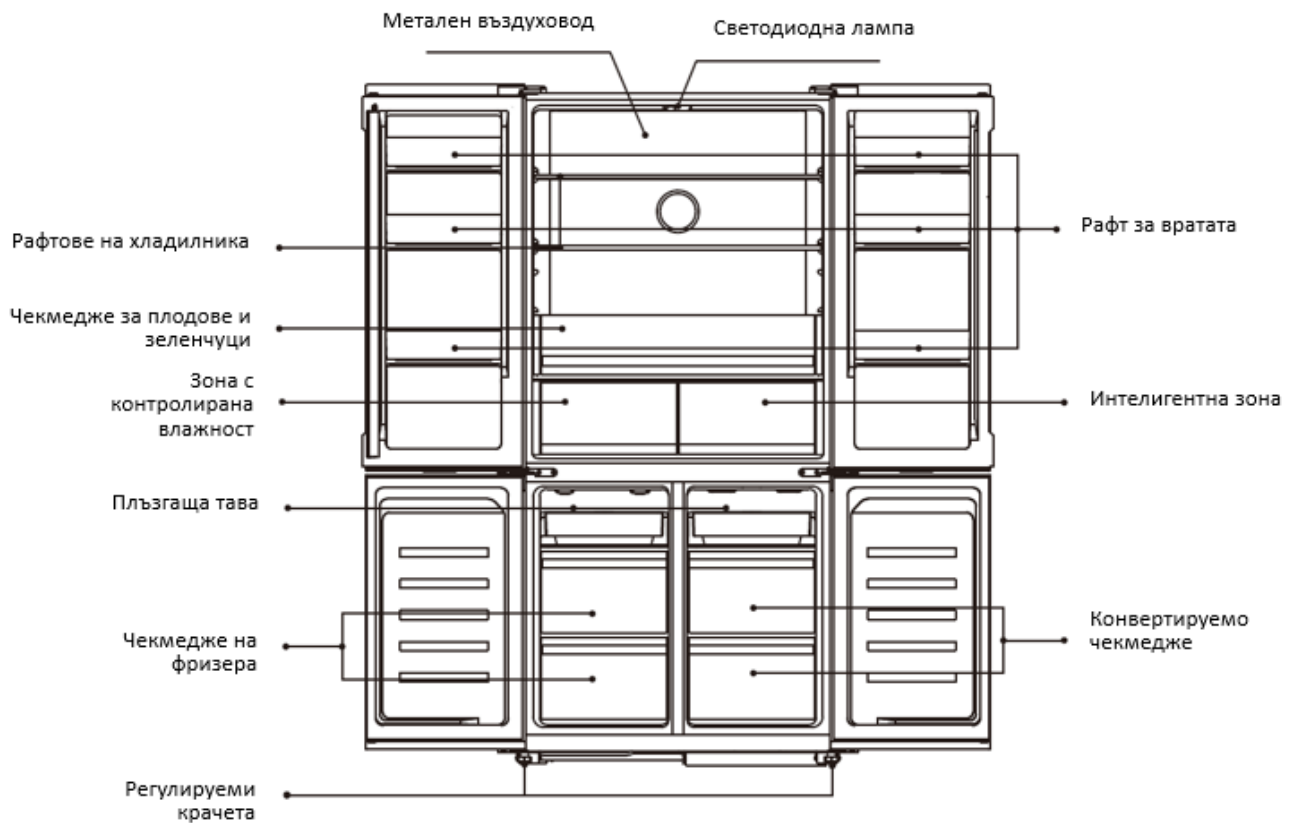


Предупреждение! По време на употреба, поддръжка или изхвърляне на уреда, моля, обърнете внимание на символа, подобен на този от лявата страна, разположен на гърба на уреда (задния панел или компресора), жълт или оранжев на цвят.

Това е предупредителният символ за опасност от пожар. В тръбопроводите за хладилен агент и в компресора се намират запалими материали.

Дръжте уреда далеч от източници на огън по време на употреба, поддръжка или изхвърляне.

4. ОПИСАНИЕ НА ПРОДУКТА



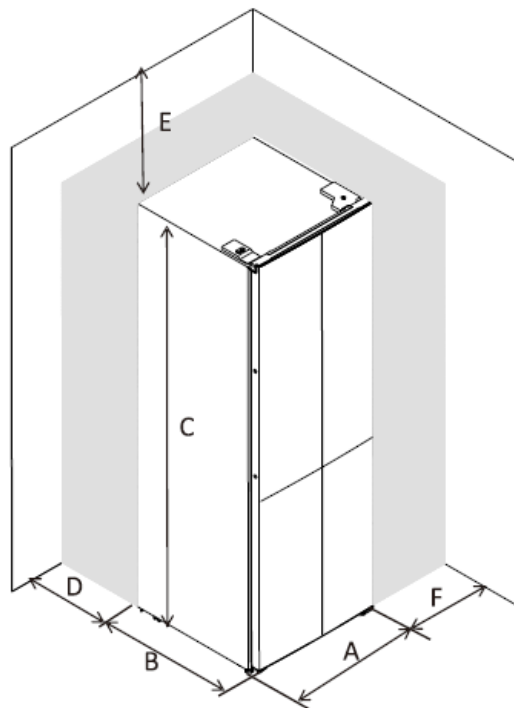
Изображенията в този наръчник имат само информационна цел. Възможно е реалният продукт да бъде малко по-различен от представения в изображението.

5. ИНСТАЛИРАНЕ

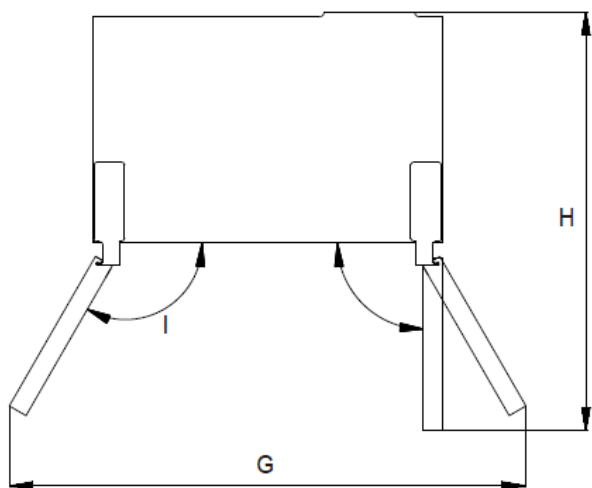
Изисквания за пространство

Оставете достатъчно пространство за отваряне на вратата.

Инсталирането без допълнителна опора и инсталирането чрез вграждане имат различни максимални ъгли на отваряне на вратата.

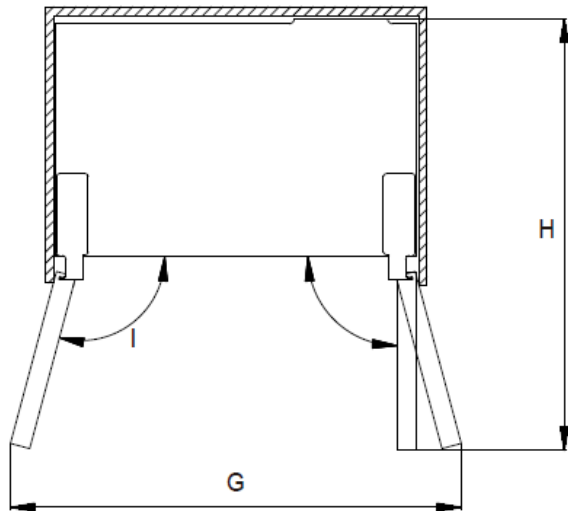


Инсталиране без допълнителна опора



A	905
B	597
C	1902
D	3
E	6
F	6
G	1335
H	1020
I	120°

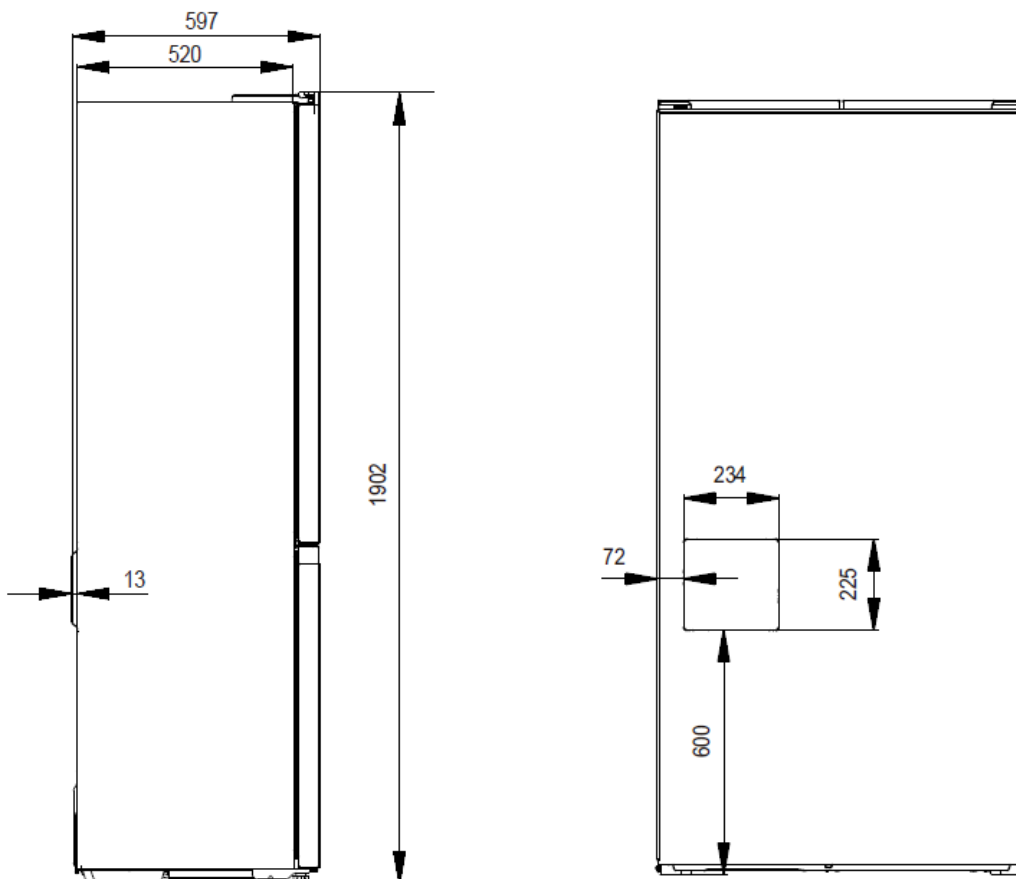
Инсталиране чрез вграждане



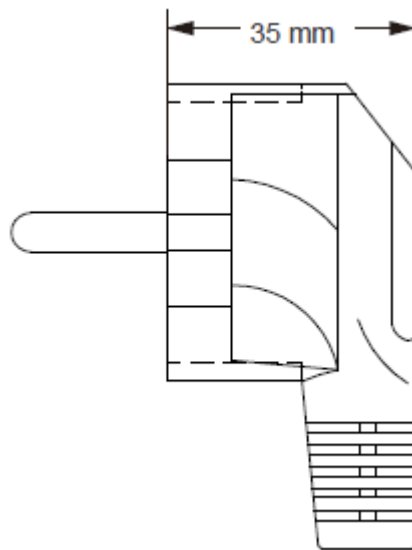
A	905
B	597
C	1902
D	3
E	6
F	6
G	1128
H	1020
I	105°

Указания за правилно позициониране

1. Капакът на печатната платка е проектиран да осигури правилно разстояние между задния панел на хладилника и стената, като най-близката позиция между хладилника и стената е, когато капакът на печатната платка се допира до стената.
2. Позицията и размерът на капака на печатната платка са посочените по-долу. Моля, обърнете внимание на позицията на електрическия контакт, така че позицията на капака на печатната платка да Ви позволи да свържете уреда към източника на захранване с електроенергия.



3. Размерът на щепсела е посочения по-долу. Моля, вземете под внимание дебелината на щепсела и на електрическия контакт, ако електрическият контакт се намира в задната страна на хладилника.

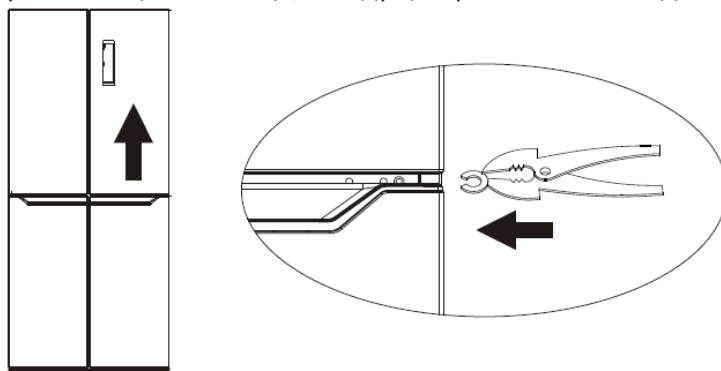


Подравняване на вратите

След транспортиране или след като рафтовете на вратите са заредени с храна или напитки, възможно е горните врати вече да не са на същото ниво. За регулиране на вратите, са необходими 3 шайби Гровер. Моля, следвайте процедурата по-долу за подравняване на вратите.



1. Преди да проверите подравняването на вратите, уверете се, че уредът е позициониран правилно.
2. Ако двете горни врати не са подравнени, повдигнете малко вратата, която се намира по-долу и въведете шайба Гровер, с помощта на клещи, между централната панта и долната част на вратата.

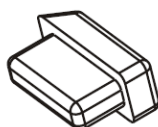


Предупреждение! Внимавайте вратата да не захване пръстите ви. Моля, използвайте инструмент.

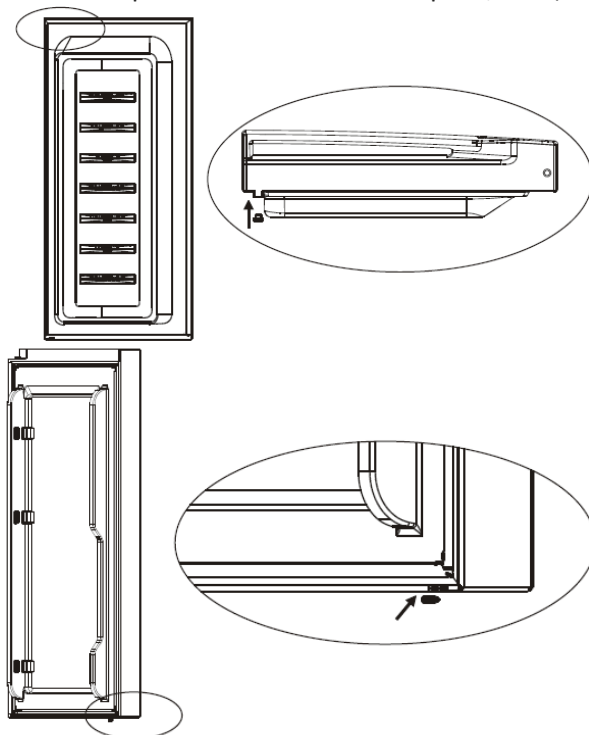
Предупреждение! Не оставяйте шайбите Гровер на място достъпно за деца, за да предотвратите поглъщането им от децата. Това са компоненти с малки размери.

Гумените ограничители

Всяка врата е предвидена с по един гумен ограничител. Те намаляват интензивността на удара при затваряне на вратата.



Моля, не дърпайте гумените ограничители. Ако те липсват на вратите, моля, вземете необходимите ограничители от торбичката с аксесоари и ги поставете в отворите, специално предвидени на вратите.

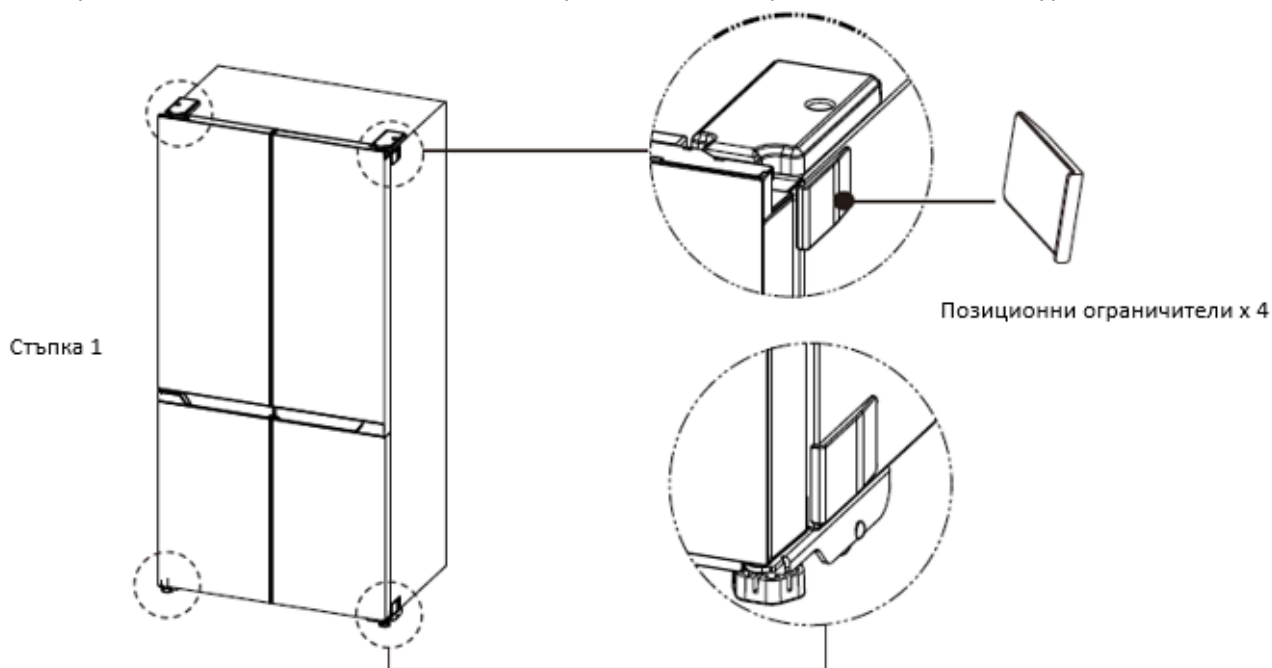


Предупреждение! Не оставяйте гумените ограничители на място достъпно за деца, за да предотвратите поглъщането им от децата. Това са компоненти с малки размери.

1. Монтаж на позиционните ограничители

По време на ежедневна употреба уредът може да се премести до известна степен. За да сте сигурни, че уредът остава в правилната позиция в шкафа, можете да инсталирате ограничителите, преди да позиционирате уреда в шкафа.

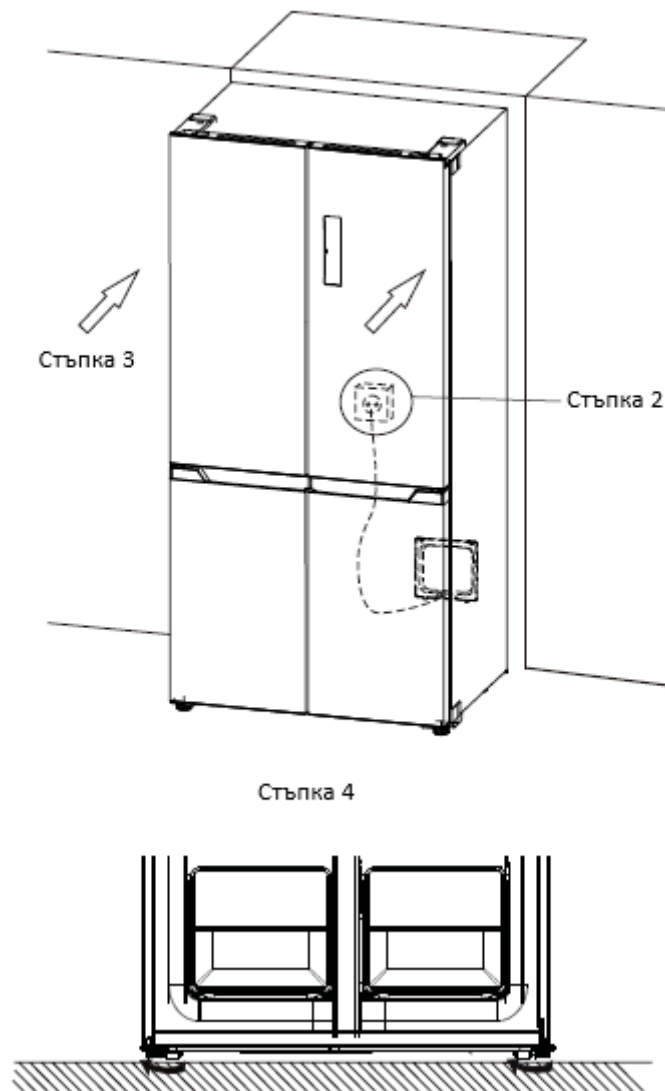
- а) Извадете 4-те позиционни ограничители от торбичката с аксесоари;
- б) Отстранете праха от ъглите на уреда;
- в) Отстранете двойнозалепащата лента от ограничителя, подравнете я с ъглите на уреда и я залепете.



2. Свържете уреда към източника на захранване.
3. Бутнете уреда в желаната позиция.

Уредът е оборудван в долната си част с 4 колелца и 2 регулируеми крачета. За да предотвратите евентуална повреда на пода, моля, вдигнете регулируемите крачета, преди да бутнете уреда.

4. Регулирайте крачетата, за да стабилизирате уреда.



- Уредът може да се стабилизира чрез регулиране на крачетата.
- Завъртете ръчно крачетата по посока на часовниковата стрелка, за да ги повдигнете.
- Завъртете ръчно крачетата по посока обратно на часовниковата стрелка, за да ги спуснете.

Разположение

Инсталирайте това устройство на място, където температурата на помещението съответства на климатичния клас, посочен в таблицата с техническа информация за уреда.

За хладилни уреди с климатичен клас:

- разширен умерен: този хладилен уред е предназначен да се използва при температура на околната среда от 10 °C до 32 °C (SN);
- умерен: този хладилен уред е предназначен да се използва при температура на околната среда от 16 °C до 32 °C (N);
- субтропичен: този хладилен уред е предназначен да се използва при температура на околната среда от 16 °C до 38 °C (ST);
- тропичен: този хладилен уред е предназначен да се използва при температура на околната среда от 16 °C до 43 °C (T).

Място на инсталацията

Устройството трябва да се постави на място далеч от източници на топлина като радиатори, бойлери и пряка слънчева светлина. За да се осигури висока производителност, когато устройството се поставя под окачен шкаф, минималното разстояние между горната част на уреда и окаченият шкаф трябва да бъде най-малко 100 мм. Въпреки това, идеалният начин е, устройството да не бъде поставяно под окачени шкафове. За да поставите устройството точно в хоризонтално положение използвайте регулируемите крачета от основата.

Този хладилен уред не е предназначен за използване като вграден уред.

Внимание! Трябва да имате възможност да изключите устройството от източника за захранване; следователно, щепселът трябва да бъде достъпен след инсталиране.

Свързване към електрическата мрежа

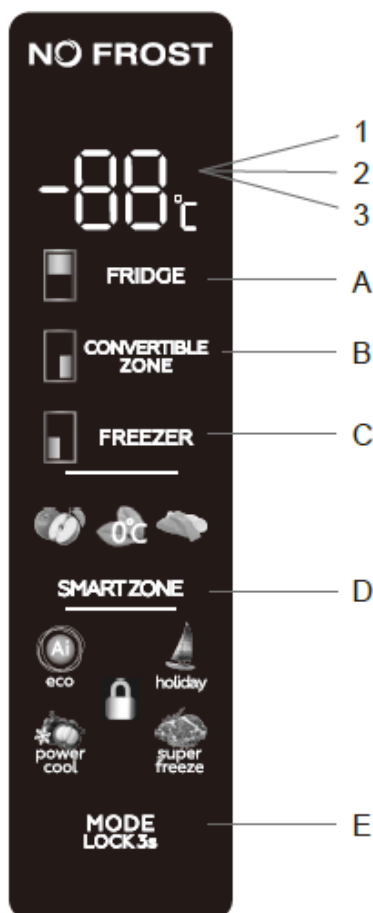
Ако контакта в жилището не е заземен, свържете устройството към отделно заземяване, в съответствие с текущите регламенти, след като се консултирате с квалифициран електротехник.

Производителя не поема никаква отговорност, ако тези предпазни мерки не са спазени.

Това устройство отговаря на Директивите на ЕИО.

6. ЕЖЕДНЕВНА УПОТРЕБА

Контролен панел



1.1 Функции на бутоните

- A. Задаване на температурата в хладилното отделение
- B. Задаване на температурата в конвертируемото отделение
- C. Задаване на температурата във фризерното отделение

D. Настройка на интелигентната зона (Baby care, 0°C Fresh, Soft freeze)

E. Заклучване/ Отключване/ Настройка на работния режим

1.2 Светодиоден екран

1. Температура в хладилното отделение
2. Температура във фризерното отделение
3. Температура в конвертируемото отделение

2. Условия за функциониране

1. Контролният панел светва изцяло по време на 3 секунди, след това показва настройките (режима и температурата), определени преди изключването на уреда. Системата ще се блокира автоматично след 25 секунди, считано от последното натискане на бутон. След блокиране екранът изгасва след 120 секунди, считано от последното натискане на бутон.

2. Температурата в хладилното/фризерното/конвертируемото отделение ще се изписва отделно чрез задаване на температурата на всяка зона.

Цифровият екран

- Панелът ще стои светнат по време на 2 минути веднага след отварянето на вратата на отделението за охлаждане или на тази на отделението за замразяване (сигналите от вратите се изпращат последователно).
- Панелът ще светне чрез задействане на всеки бутон и ще изгасне след 2 минути, считано от последното натискане на бутон.
- Екранът ще има това поведение по време на нормално функциониране.
 - Показване на температурата в отделението за охлаждане: Показва се текущата настроена температура.
 - Показване на температурата в отделението за замразяване: Показва се текущата настроена температура.
 - Изписване на температурата в конвертируемото отделение: Показва се текущата настроена температура.

3. Използване на бутона за регулиране на температурата

3.1 Контрол на температурата в хладилното отделение

а) контрол на температурата в хладилното отделение

Този бутон е функционален както в рамките на потребителски дефиниран режим, така и в рамките на режим „Super“. След влизане в режима за контрол на температурата на хладилното отделение, този бутон светва премигвайки. Чрез последователно натискане на бутона, температурата ще се променя постепенно от 2°C до 3°C, 4°C, 5°C, 6°C, 7°C, 8°C, - - (Off). Ако бутонът светва премигвайки по време на 5 секунди, изборът на температурата е определен.

б. Функционално изключване на отделението за охлаждане

Натиснете бутона за "Контрол на температурата в отделението за охлаждане" и изберете "- -". Бутонът ще светне премигвайки по време на 5 секунди, което означава, че настройката е избрана и че функционирането на отделението за охлаждане е изключено.

3.2 Контрол на температурата в отделението за замразяване

Контрол на температурата в отделението за замразяване Този бутон е функционален както в потребителския режим, така и в режим "Ваканция".

След влизане в режима за контрол на температурата на отделението за замразяване, този бутон ще светне премигвайки. Чрез последователно натискане на бутона, температурата ще се променя постепенно от -14 °C до -15 °C, -16 °C, -17 °C, -18 °C, -19 °C, -20 °C, -21 °C, -22 °C. Ако бутонът светва премигвайки по време на 5 секунди, изборът на температурата е определен.

3.3. Контрол на температурата в конвертируемото отделение

а. Контрол на температурата в конвертируемото отделение:

Този бутон е функционален както в рамките на режим, дефиниран от потребителя, така и в рамките на други режими на работа. След влизане в режима за контрол на температурата на конвертируемото отделение, този бутон ще мига. Чрез последователно натискане на бутона, температурата ще се

променя постепенно от 5 °C до 4 °C, 3 °C, 2 °C, 1 °C, 0 °C, -1 °C, -2 °C, -3 °C, -4 °C, -5 °C, -6 °C, -7 °C, -8 °C, -9 °C, -10 °C, -11 °C, -12 °C, -13 °C, -14 °C, -15 °C, -16 °C, -17 °C, -18 °C, -19 °C, -20 °C, --(Off). Ако бутонът светва премигвайки по време на 5 секунди, изборът на температурата е определен.

б. Спиране на работата на конвертируемото отделение

Натиснете бутона за „Контрол на температурата в конвертируемото отделение“ и изберете „-“-. Бутонът мига за 5 секунди, което означава, че настройката е избрана и работата на конвертируемото отделение е спряна.

3.4 Контрол на температурата в отделението на Smart зоната

Този бутон е функционален както в режим "Потребителско задаване", така и в режим "Супер".

При последователно докосване на бутона логото, съответстващо на всяка функция, ще светне последователно в следния ред: "Baby care", "0 °C fresh", "Soft freeze".

Температурата, съответстваща на всяка функция, е:

- Baby care (3°C)
- 0 °C fresh (0°C)
- Soft freeze (-1.5°C)

3.5 Режим/Блокиране/Деблокиране

а. Чрез последователно натискане на този бутон, режимът на функциониране ще се променя в следната поредност: Режим "ECO" - Режим "Ваканция" - Режим "Super" - Потребителски режим. Ако бутонът светва премигвайки по време на 5 секунди, избирането на температурата е осъществено.

б. Натиснете продължително, за да активирате/деактивирате режима на блокиране.

- Деблокиране: Натиснете по време на 3 секунди тогава, когато уредът се намира в режим на блокиране, и бутоните ще се деблокират след кратък звуков сигнал.
- Блокиране: Натиснете по време на 3 секунди тогава, когато уредът се намира в режим на деблокиране, и бутоните ще се блокират след кратък звуков сигнал.

3.6 Бутоните на контролния панел

При натискане на някой от бутоните, ще се чуе кратък звуков сигнал. Бутоните отговарят на командите, само ако контролният панел е отключен.

3.7 Функция за блокиране

Ако не се извърши никаква операция по време на 25 секунди, контролният панел ще се заключи автоматично.

3.8 Режим „ECO“

Натиснете бутона „Mode“, за да изберете режима „ECO“. Иконата „ECO“ мига за 5 секунди и остава светната.

Режимът „ECO“ задава фиксирана температура от 6°C в хладилното отделение и температура от -16°C в фризерното отделение. Apăsarea butonului „FRIDGE“ sau „FREEZER“ nu va avea efect, dar pictograma „ECO“ se va aprinde intermitent timp de trei secunde. Температурата на конвертируемото отделение може да се регулират отделно.

Деактивиране на режим „ECO“:

Ако искате да деактивирате режима „Есо“, натиснете бутона „MODE“, за да изберете друг режим.

3.9 Режим „Ваканция“

Натиснете бутона "Mode", за да изберете режим "Ваканция". Пиктограмата ще светне премигвайки по време на 5 секунди и ще остане светната.

Температурата ще бъде настроена на 17°C в отделението за охлаждане. Натискането на бутона "FRIDGE" няма да има ефект, но пиктограмата "Ваканция" ще светне премигвайки по време на три секунди, с цел напомняне.

Температурата на хладилното отделение и тази на конвертируемото отделение може да се регулират отделно.

Деактивиране на режим „Ваканция“:

Ако искате да деактивирате режима „Ваканция“, натиснете бутона „MODE“, за да изберете друг режим.

3.10 Функция за замразяване „SUPER FREEZE“

Натиснете бутона „MODE“, за да активирате функцията „SUPER FREEZE“. Пиктограмата ще светне премигвайки по време на 5 секунди и ще остане светната. Режим „SUPER FREEZE“: Температурата в отделението за замразяване (-25 °C) не може да бъде настроена. Натискането на бутона "FREEZER" няма да има ефект, но пиктограмата ще светва премигвайки по време на три секунди, с цел напомняне. Температурата на хладилното отделение и тази на конвертируемото отделение може да се настройват отделно. Режимът „SUPER FREEZE“ се дезактивира по следния начин:

- ръчно деактивиране на функцията за замразяване „SUPER FREEZE“.
 - ако функцията за замразяване „SUPER FREEZE“ е била активна повече от 50 часа
- Режимът си остава същия преди активиране на режима „SUPER FREEZE“.

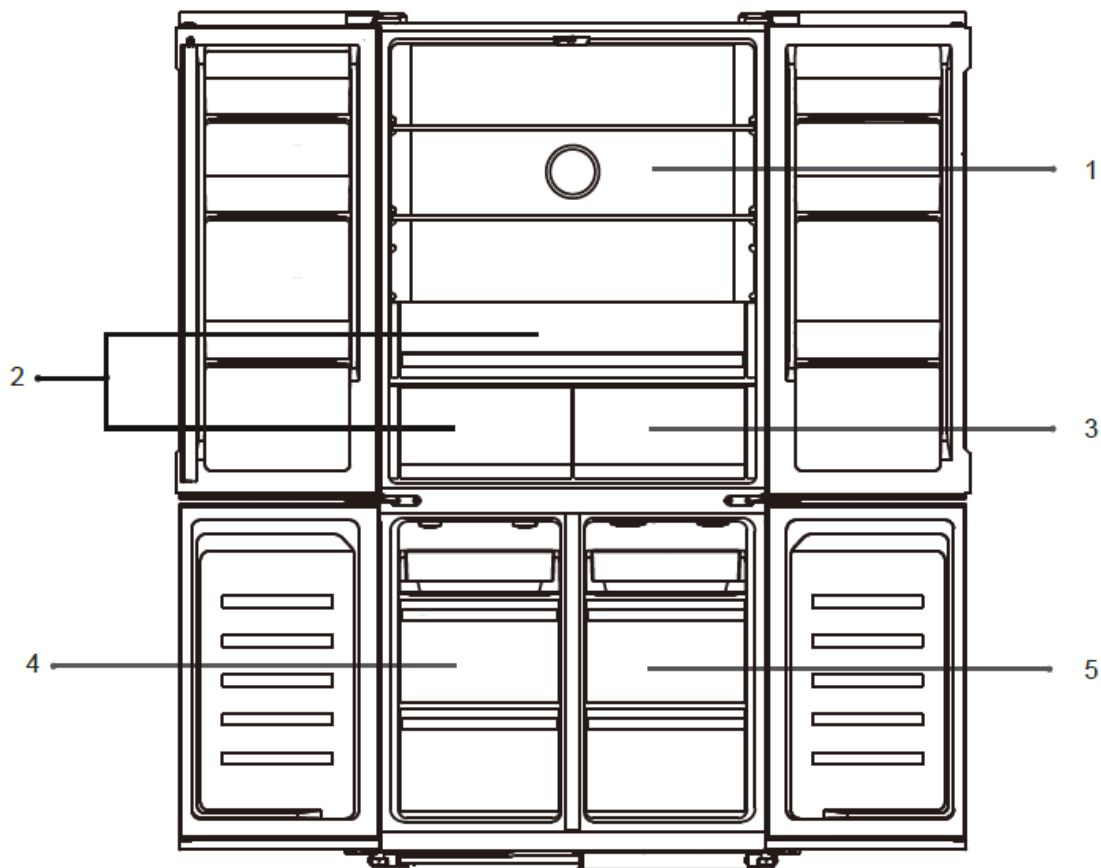
3.11 Функция „Power cool“

Охлажда хладилното отделение до най-ниската температура, която може да се постигне в това отделение. След около 2,5 часа зададената температура се връща към предишната стойност.

3.12 Предупредителен сигнал за отворена врата

Ако вратата на отделението на хладилника или фризера остане отворена за 60 секунди, алармата ще се задейства на цикли, докато вратата се затвори.

Зона с множествени температури



1. Температура на хладилното отделение 2°C ~ 8°C/Изключено
Управлява се с помощта на контролния панел.
2. Температура на съхранение на пресни храни 2°C ~ 8°C
3. Температура в интелигентната зона -1,5°C / 0°C / 3°C
4. Температура на фризерното отделение -22°C ~ -14°C
Управлява се с помощта на контролния панел.
5. Температура на конвертируемото отделение -20°C ~ 5°C/Изключено
Управлява се с помощта на контролния панел.

Първата употреба - Почистване на вътрешната част на уреда

Преди да използвате уреда за първи път, измийте вътрешната част и всички вътрешни аксесоари с леко топла вода и с неутрален препарат за миене, за да отстраните специфичната миризма на нов продукт, след това изсушете ги добре.

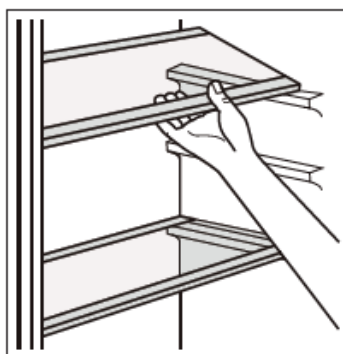
Важно! Не използвайте абразивни препарати за миене или прахове, защото ще повредят повърхностите.

Размразяване

Преди да бъдат използвани, замразените храни могат да бъдат размразени в отделението за охлаждане или на стайна температура, в зависимост от времето, с което разполагате за тази операция. Малките парченца могат да бъдат замразени директно в камерата. В този случай времето за готвене ще бъде по-дълго.

Преместваеми рафтове

Върху стените на хладилника има помощни водачи, така че рафтовете да могат да бъдат поставени според предпочитанията.



Позициониране на рафтовете върху вратата

За улесняване на складирането на опаковките на храни с различни размери, рафтовете от вратата могат да бъдат позиционирани на различни височини. За извършване на тези операции, процедирайте по следния начин: Дръпнете рафта леко в посока на стрелките, докато излезе, след това позиционирайте го отново в зависимост от предпочитанията.

Ледени кубчета

Този уред може да бъде оборудван с една или няколко форми, предназначени за приготвяне на ледени кубчета.

Замразяване на пресни храни

- Фризерното отделение е подходящо за замразяване на пресни храни и за дълготрайно съхранение на замразени храни.
- Поставете пресните храни в отделението за замразяване.
- Максималното количество храни, които могат да бъдат замразени за 24 часа, е посочено върху табелката с техническите данни.
- Процесът на замразяване трае 24 часа: в този интервал от време не добавяйте други храни с цел замразяване.

Съхранение на замразени храни

При първото включване или след период, в който уредът не е използван, преди да поставите храни в отделението, оставете уреда да функционира по време на най-малко 2 часа при настройките за най-ниските температури.

Важно! При случайно размразяване, например поради прекъсване на подаването на електроенергия, ако времето на прекъсването е повече от стойността, посочена в таблицата с техническите характеристики, замразените храни трябва да се консумират бързо или трябва да се сготвят веднага и след това да се замразят отново (след сготвяне).

Препоръки за настройка на температурата

Препоръки за настройка на температурата		
Температура на околната среда	Задаване на температурата	
Лято (Над 38°C)		Хладилник, настроен на 2 °C
		Фризер, настроен при -20°C
Нормално		Хладилник, настроен на 4 °C
		Фризер, настроен при -18°C
Зима (под 16°C)		Хладилник, настроен на 5 °C
		Фризер, настроен при -18°C

Информацията по-горе дава препоръки на потребителите относно настройката на температурата. Температурата на настройката на конвертируемата зона зависи от зареждането с храна.

Позициониране на храните

Отделения на хладилника	Видове храни
Рафтове върху вратата на хладилното отделение	Храни, съдържащи естествени консерванти, като конфитюри, сокове, напитки, подправки. Не съхранявайте храни, които се развалят бързо.
Отделения за плодове и зеленчуци	Плодовете, билките и зеленчуците трябва да се поставят отделно в чекмеджето за плодове и зеленчуци. Не съхранявайте в хладилника банани, лук, картофи или чесън.
Рафт на хладилника	Млечни продукти, яйца, сладкиши, паста, пица

	Храни, които не изискват готвене, готови за консумация храни, колбаси, остатъчна храна.
Зона с контролирана влажност	Поддържа влажността и свежестта. Удължава времето за съхранение. Пресни плодове и зеленчуци, деликатеси.
Интелигентна зона	Функция „Baby care“: 3°C, храни за бебета, деликатеси Функция „0°C fresh“: 0°C, напитки, бира, червено вино, деликатеси Функция „Soft freeze“: -1,5°C, охлаждане на храни като сурово месо, риба, морски дарове, картофени кнедли и др. за краткосрочно съхранение
Конвертируемо отделение	-20°C~5°C: за широка гама от храни, които могат да бъдат замразени или охладени при различни температури. 3°C~5°C: пресни плодове и зеленчуци 0°C ~ 2°C: напитки, бира, червено вино -7°C ~ -1°C: охлаждане на храни като сурово месо, риба, морски дарове, картофени кнедли и др. за краткосрочно съхранение -20°C ~ -8°C: охлаждане на храни като сурово месо, риба, морски дарове, картофени кнедли и др. за дългосрочно съхранение.
Фризерно отделение	За храни, които могат да бъдат съхранявани дългосрочно. Морски дарове, риба, месо, картофени кнедли, замразени сладкарски продукти

Пореден номер	Тип на отделението	Препоръчвана температура за съхранение [°C]	Подходящи храни
1	Хладилник	+2≤+6	Яйцата, готвените храни, пакетирани храни, плодовете и зеленчуците, млечните продукти, сладкишите и напитките не са подходящи за замразяване.
2	(***)*- Замразяване	≤-18	Морските дарове (рибата, скаридите, ракообразните), водните и месните продукти са подходящи за замразяване (препоръчва се тяхното съхранение за 3 месеца; колкото повече е времето за съхранение, толкова повече се губят вкуса и хранителните свойства).
3	***-Замразяване	≤-18	Морските дарове (рибата, скаридите, ракообразните), водните и месните продукти не са подходящи за замразяване (препоръчва се тяхното съхранение за 3 месеца; колкото повече е времето за съхранение, толкова повече се губят вкуса и хранителните свойства).

4	***-Замразяване	≤ -12	Морските дарове (рибата, скаридите, ракообразните), водните и месните продукти не са подходящи за замразяване (препоръчва се тяхното съхранение за 2 месеца; колкото повече е времето за съхранение, толкова повече се губят вкуса и хранителните свойства).
5	*-Замразяване	≤ -6	Морските дарове (рибата, скаридите, ракообразните), водните и месните продукти не са подходящи за замразяване (препоръчва се тяхното съхранение за 1 месеца; колкото повече е времето за съхранение, толкова повече се губят вкуса и хранителните свойства).
6	Без звезди	$-6 \leq 0$	Прясно свинско, говеждо, телешко и пилешко месо, прясна риба, някои преработени и пакетирани храни и др. (препоръчва се да се консумират в същия ден, за предпочитане до 3 дни). Преработени храни, частично пакетирани (храни, които не трябва да се замразяват).
7	Охлаждане	$-2 \leq +3$	Прясно/замразено свинско, говеждо, телешко и пилешко месо, водни продукти и др. (тези храни могат да се съхраняват до 7 дни при температури под 0 °C; в случай на съхранение при температури, които надвишават 0 °C, препоръчва се да се консумират в същия ден, за предпочитане до 2 дни). Морски дарове (тези храни могат да се съхраняват до 15 дни при температури под 0 °C; не се препоръчва съхранението им при температури, които надвишават 0 °C)
8	Пресни храни	$0 \leq +4$	Прясно свинско, говеждо, телешко и пилешко месо, готвена храна и др. (препоръчва се да се консумират в същия ден, за предпочитане до 3 дни)
9	Вино	$+5 \leq +20$	Червено вино, бяло вино, пенливо вино и др.

Време за съхранение на храната

Ако се спазват препоръките за настройка на температурата, максималното време за съхранение на храната в хладилното отделение е 3 дни.

Ако се спазват препоръките за настройка на температурата, максималното време за съхранение на храната в фризерното отделение е 1 месец.

Максималното време за съхранение на храната може да бъде по-кратко при използване на други настройки.

7. ПОЛЕЗНИ СЪВЕТИ/ПРЕПОРЪКИ

Препоръки при замразяване

За да получите по-ефективно замразяване, ето няколко важни препоръки:

- максималното количество храни, които могат да бъдат замразени за 24 часа, е посочено върху табелката с техническите данни.
- процесът на замразяване трае 24 часа. По време на този процес не добавяйте други храни за замразяване;
- замразявайте само храни с високо качество, свежи и добре почистени;
- подгответе малки порции храна, които могат да бъдат замразени бързо и напълно, за да можете след това да размразите само необходимото количество;

- Увийте храните в алуминиево фолио или полиетилен и се уверете, че пакетите са добре затворени;
- Уверете се, че замразените пресни храни не влизат в контакт с тези, които вече са замразени, като по този начин ще избегнете повишаването на тяхната температура;
- храните без съдържание на мазнини се съхраняват по-добре и за по-дълъг период, отколкото тези, които съдържат мазнини; солта намалява срока за съхранение на храните;
- ако се консумират веднага след изваждане от фризера, сладоледите могат да предизвикат кожни наранявания или измръзване;
- препоръчваме Ви да запишете датата на замразяване върху всяка опаковка, за да следите периода за съхранение.
- препоръчваме Ви да запишете датата на замразяване върху всяка опаковка, за да следите периода за съхранение

Препоръки за запазване на замразените храни

За да получите най-добри резултати с това устройство, Ви препоръчваме следното:

- проверете дали замразените храни са били съхранени правилно в магазина;
- Уверете се, че замразените храни са прехвърлени от магазина във фризера възможно най-бързо;
- не отваряйте вратата много често и не я оставяйте отворена повече отколкото е необходимо;
- след размразяване храните се развалят бързо и не могат да бъдат замразени отново;
- не превишавайте периода за съхранение, посочен от производителя на храните.

Препоръки относно охлаждането на пресните храни

За получаване на оптимални постижения:

- Не съхранявайте в уреда топла храна или течности, които се изпаряват.
- Покрийте или опаковайте храните, особено ако образуват силни миризми.
- Месото (от всеки вид) се опакова в полиетиленово фолио и се поставя върху стъкления рафт, който се намира над чекмеджето за плодове и зеленчуци.
- За сигурност, съхранявайте месото по този начин само за един или най-много два дни.
- Готвени храни, колбаси и др.: Трябва да се покриват и да се поставят върху произволен рафт.
- Плодове и зеленчуци: Трябва да бъдат добре почистени и трябва да се поставят в чекмеджетата, предназначени за тях.
- Краве масло и сирена: Трябва да бъдат поставени в специални съдове, затворени херметически, или да бъдат увити в алуминиево фолио или в полиетиленови торбички, възможно най-плътно затворени.
- Бутилки с мляко: трябва да бъдат предвидени с капак и трябва да се съхраняват върху рафтовете на вратата.
- Ако не са опаковани, бананите, картофите, лукът и чесънът не трябва да се съхраняват в хладилник.

Почистване

Поради хигиенни съображения, вътрешността на устройството и вътрешните аксесоари трябва да се почистват редовно.

Внимание! По време на почистване, устройството трябва да е изключено от източника на енергия. Опасност от токов удар! Преди да почистите уреда, изключете го и извадете щепсела от контакта или прекъснете общата електрическа верига на жилището. Не почиствайте устройството с парочистачка. Може да се натрупа влага в електрическите компоненти. Горещата пара може да повреди пластмасовите компоненти. Преди да включите отново уреда се уверете, че е сух.

Важно! Етеричните масла и органичните разтворители (лимонов сок или сок от портокалова кора, маслена киселина, почистващи вещества, които съдържат оцетна киселина) могат да повредят пластмасовите части на уреда.

- Не допускате такива вещества да влизат в контакт с частите на устройството.

- Не използвайте абразивни почистващи препарати.
- Извадете храните от фризера. Съхранявайте ги на хладно място и ги покрийте добре.
- Изключете уреда и извадете щепсела от контакта или прекъснете общата електрическа верига на жилището.
- Почистете устройството и вътрешните аксесоари с кърпа и хладка вода. След почистване на уреда, изплакнете с чиста вода и го подсушете със суха кърпа.
- След като всички компоненти са сухи, можете да включите устройството да работи.

Описание на функцията „No Frost“

Този уред е оборудван с функцията „No Frost“, а размразяването се извършва автоматично.

8. ОТСТРАНЯВАНЕ НА ПРОБЛЕМИ

Ако имате проблеми с уреда или се притеснявате, че не работи правилно, може да следвате препоръките по-долу, за да извършите някои проверки, преди да поискате специализирана техническа помощ.

Внимание! Преди да отстраните повредите, извадете щепсела от контакта. Техническите проблеми, които не са представени в този наръчник, могат да бъдат отстранени само от квалифициран електротехник.

Важно! По време на нормална употреба, може да чувате шумове (компресорът, циркулация на охлаждащата течност).

Проблем	Възможна причина	Решение
Уредът не работи.	Щепселът не е поставен правилно в контакта.	Поставете щепсела в контакта.
	Предпазителят е изгорял или е повреден.	Проверете предпазителя. Ако е необходимо, сменете го.
	Електрическият контакт е повреден.	Повредите на източника за захранване с електроенергия трябва да се отстраняват от електротехник.
Уредът охлажда или замразява твърде много.	Настроената температура е твърде ниска или уредът функционира при настройка SUPER.	Завъртете временно бутона за регулиране към по-ниска позиция
Храните не са достатъчно замразени.	Температурата не е настроена правилно.	Моля прочетете главата относно настройката на температурата.
	Вратата е била оставена отворена за дълъг период от време.	Не дръжте вратата отворена повече време отколкото е необходимо.
	През последните 24 часа е било поставено в уреда голямо количество топли храни.	Завъртете временно бутона на регулатора към по-горна позиция.
	Уредът се намира до източник на топлина.	Моля прочетете главата относно мястото за инсталиране на уреда.
Образува се много лед върху уплътнението на вратата.	Уплътнението на вратата не уплътнява по съответстващ начин.	Загрейте внимателно местата, където уплътнението на вратата не прилепва, с помощта на сешоар (на не много висока температура). В същото време оформете затопленото уплътнение, така че то да прилепне правилно.
Тече вода върху пода	Отворът за изтичане е запушен	Прочетете раздел „почистване и поддръжка“
	Устройството не е нивелирано.	Регулирайте крачетата.

Необичайни шумове	Уредът контактува със стената или с други предмети.	Преместете леко уреда.
	Една компонента (например тръба на уреда) контактува с друга част на уреда или със стената.	Ако е необходимо, сгънете внимателно компонентата, така че да не докосва вече нищо.

Ако повредата се появи отново, свържете се с оторизиран сервиз.

СЕРВИЗ И ОБСЛУЖВАНЕ НА КЛИЕНТИ

Използвайте само оригинални резервни части.

Когато се свързвате с нашия оторизиран сервизен център, уверете се, че имате под ръка следната информация: Наименование на модела и сериен номер.

Информацията може да бъде намерена на табелката с технически данни. Те подлежат на промяна без предварително уведомление.

ТЕХНИЧЕСКИ ДАННИ

Техническата информация се намира на табелката с технически данни на уреда и на енергийния етикет.

QR кодът на енергийния етикет, предоставен заедно с уреда, предлага уеб връзка към информацията в базата данни на EPREL относно постиженията на уреда.

Запазете енергийния етикет за бъдещи справки, заедно с ръководството за употреба и с всички други документи, предоставени заедно с този уред.

Също така, можете да намерите същата информация в базата данни на EPREL, като използвате връзката <https://eprel.ec.europa.eu> и наименованието на модела и серийния номер на продукта, които можете да намерите на табелката с технически данни на уреда.

За достъп до информация за вашия продукт в портала EPREL можете да сканирате кодовете по-долу:



Благодарим ви, че закупихте този продукт! Ако имате нужда от помощ във връзка с вашия продукт, посетете нашия уебсайт, като използвате връзките по-долу:

Получете ръководства за употреба: <https://www.heinner.ro>

Получете информация относно ремонтите: <https://www.heinner.ro>



Изхвърляне на отпадъците по начин, отговорен за околната среда

Можете да помогнете за опазването на околната среда!

Моля спазвайте местните разпоредби: Предайте нефункциониращото електрическо оборудване на център за събиране на отпадъци от електрическо оборудване.



HEINNER е регистрирана марка на компанията **Network One Distribution SRL**. Останалите търговски марки и наименованията на продуктите са търговски марки или регистрирани търговски марки на съответните им притежатели.

Нито една част от спецификациите не може да бъде възпроизвеждана под каквато и да е форма или средство, или използвана за получаване на производни като преводи,

трансформации или адаптации, без предварителното съгласие на компанията NETWORK ONE DISTRIBUTION.

Copyright © 2013 Network One Distribution. Всички права запазени.

www.heinner.com, <http://www.nod.ro>

<http://www.heinner.com>, <http://www.nod.ro>



Този продукт е проектиран и произведен в съответствие със стандартите и нормите на Европейската общност.



Вносител: **Network One Distribution**

ул. Марчел Янку № 3-5, Букурещ, Румъния

Tel: +40 21 211 18 56, www.heinner.com, www.nod.ro

SIDE-BY-SIDE KOMBINÁLT HŰTŐSZEKRÉNY

Modell:

HSBS-HM505MDSINFDXE++



- Teljes kapacitás: 505 L
- Energia hatékonysági osztály: E

HEINNER

1. BEVEZETŐ

Kérjük, figyelmesen olvassa el az utasításokat, és őrizze meg a kézikönyvet későbbi tanulmányozás céljából. A kézikönyv célja a készülék beszerelésével, használatával és karbantartásával kapcsolatos minden szükséges tudnivalót rendelkezésére bocsátani. A készülék helyes és biztonságos használata érdekében, kérjük, hogy beszerelés és használat előtt olvassa el figyelmesen a használati kézikönyvet.

2. AZ ÖN CSOMAGJÁNAK TARTALMA

- ➔ Side by side hűtő/fagyasztó
- ➔ Használati kézikönyv
- ➔ Jótállási bizonylat

3. BIZTONSÁGI FIGYELMEZTETÉSEK

Az ön biztonsága és a helyes használat érdekében a készülék felállítása és első használata előtt olvassa el figyelmesen a felhasználó kézikönyvét, az ajánlásokkal és figyelmeztetésekkel együtt. A főleges tévedések és balesetek elkerülése érdekében fontos meggyőződni arról, hogy minden személy, aki a készüléket használja, ismeri a biztonságos működés módját és a biztonsági intézkedéseket. Őrizze meg ezt a kézikönyvet, és gondoskodjon arról, hogy a készülékkel együtt marad, ha azt elköltöztetnék vagy eladnák, s ily módon bárki használná az élettartama alatt, megfelelőképpen tájékozódhasson a használatáról és a szükséges biztonsági intézkedésekről. Életének és vagyonának biztonsága érdekében tartsa be a használati kézikönyv előírásait, mivel a mulasztásokból származó károkért a gyártó nem felel.

A gyermekek és más érzékeny személyek biztonsága

- Ezt a készüléket 8 éven felüli gyermekek és szellemileg fogyatékos- sérült vagy tapasztalattal nem rendelkező emberek csak akkor használhatják, ha az értük felelős személy felügyeli őket, illetve előzetesen megértette velük a készülék biztonságos használatát.
- A 3 éves kort betöltött gyermekek kivehetnek és betehetnek élelmiszereket a hűtőszekrénybe.
- A gyerekek esetében állandó felügyelet szükséges, ne engedje, hogy a készülékkel játsszanak.
- A készülék tisztítását és karbantartását nem végezheti felügyelet nélküli gyermek, kivéve, ha elmúlt 8 éves és felügyeljük.
- A csomagolást tartsa gyermekektől elzárt helyen. Vigyázat, fulladásveszély!
- Hogy elkerülje a gyerekek bezáródását a készülék belsejébe, vagy áramütés elszívését, mielőtt kidobná a készüléket, húzza ki az aljzatból, vágja le az áramellátó kábelt (minél közelebb a készülékhez) és szerelje le a készülék ajtaját.
- Ha ez a mágneses ajtóval ellátott készülék, olyan régi készüléket helyettesít, amelynek ajtója, vagy fedele rugóval (retesszel) működik, mielőtt kidobná, bizonyosodjon meg, hogy a rugós rendszer használhatatlan. Így megelőzi, hogy a gyermekek bezáródjanak az eldobott hűtőszekrénybe.

Általános biztonsági intézkedések

FIGYELMEZTETÉS! Ellenőrizze, hogy a hűtőszekrény szellőzőnyílásai szabadon álljanak.

FIGYELMEZTETÉS! Leolvasztáshoz kizárólag a gyártó által ajánlott módszereket használja, ne használjon gépi vagy más eszközt a leolvasztás gyorsítására.

FIGYELMEZTETÉS! Ne sértse meg a hűtőfolyadék keringési rendszerét.

FIGYELMEZTETÉS! Ne használjon egyéb elektromos készüléket az élelmiszerek tárolására kialakított rekeszekben (mint például jégkrém készítő gép), csak ha ezek kizárólag a gyártó által ajánlott típusú elektromos készülékek.

FIGYELMEZTETÉS! Ne érjen hozzá az izzóhoz, ha az egy ideje ég, mert ez nagyon felforrósodhat.

FIGYELMEZTETÉS! A berendezés elhelyezése során figyeljen arra, hogy a tápkábelt ne nyomja össze és ne rongálja meg.

FIGYELMEZTETÉS! Ne helyezzen a berendezés mögé elosztókat vagy hordozható áramforrásokat.

FIGYELMEZTETÉS! A hűtőanyag és a szigetelőgáz gyúlékony. A készüléket csak hivatalos hulladékgyűjtő központba vigye kiselejtezéskor. Ne égesse el a készüléket.

- Ne tároljon a készülékben robbanó anyagokat, mint például aeroszolos gyúlékony üzemanyagot tartalmazó sprayeket.
- A készülék hűtőfolyadék rendszere R600a (izobután) hűtőfolyadékot tartalmaz, amely egy természetes gáz, magas szintű környezeti kompatibilitással, de gyúlékony.
- Győződjön meg, hogy szállítás és felállítás idején a hűtőfolyadék keringési rendszerének egyetlen eleme sem rongálódott meg.
 - Kerülje a nyílt láng használatát és a tűzforrásokat.
 - Alaposan szellőztesse ki a helyiséget, amelyben a készülék található.
- A készülék jellegzetességeinek bármely megváltoztatása vagy módosítása veszélyes. A tápkábel bármely megrongálódása rövidzárlatot, tüzet és/vagy áramütést okozhat.
- Ezt a készüléket lakásokban és más hasonló egységekben való használatra gyártották:
 - üzletek, irodák és más munkahelyek személyzetének konyhája;
 - háztartási és szállodák, motelek és más hasonló tartózkodási hely típusú környezet;
 - reggelit is felszolgáló panzió típusú környezet;
 - catering típusú és ehhez hasonló, nem kereskedelmi alkalmazások.

FIGYELMEZTETÉS! Ha az elektromos összetevők bármelyike sérült (aljzat, tápkábel, kompresszor), ezt szakemberrel, vagy erre illetékes személlyel kell cseréltetni.

FIGYELMEZTETÉS! A készülékkel szállított izzó egy „speciális használatra szánt izzó” és csak ezzel a készülékkel használható. Ez a „speciális használatra szánt izzó” nem használható háztartási világításra.

FIGYELMEZTETÉS! Az égőket ne a felhasználó cserélje ki! Amennyiben az égők meghibásodnak, cseréjük érdekében forduljon szakképzett személyekhez. Ez a figyelmeztetés csak az égőkkel felszerelt hűtőkre vonatkozik.

- Ne hosszabbítsa meg a tápkábelt.
- Győződjön meg, hogy hátul a dugó nem zúzódott össze és nem rongálódott meg. Az összezúzott vagy megrongálódott dugó túlhevülhet, és kigyulladhat.
- Győződjön meg, hogy mindig hozzáférhet a tápkábelhez.
- Ne rángassa a tápkábelt.
- Ha meglazult az aljzat, amelybe a dugót be kell dugni, ne használja. Áramütés- és tűzveszély léphet fel.
- A készüléket ne használja, ha a hűtőteret világító izzólámpa nem működik.
- A készülék nehéz. Óvatosan költöztesse.
- Ne nyúljon nedves/vizes kézzel a fagyasztott termékekhez, mert fagyégési sebeket, vagy bőrkárosodást szenvedhet.
- Ne tegye ki hosszabb ideig a készüléket közvetlen napfénynek.

Hűtőfolyadék

A készülék hűtőfolyadék rendszere R600a (izobután) hűtőfolyadékot tartalmaz, amely egy természetes gáz, magas szintű környezeti kompatibilitással, de gyúlékony. Győződjön meg, hogy szállítás és felállítás idején a hűtőfolyadék keringési rendszerének egyetlen eleme sem rongálódott meg. A hűtőfolyadék (R600a) gyúlékony.

FIGYELMEZTETÉS! A hűtőszekrények hideghordozó közeget és veszélyes gázokat tartalmaznak. A hideghordozó közeget és a gázokat megfelelő módon kell eltávolítani, mert ezek szemsérüléseket okozhatnak vagy meggyúlhatnak.

A készülék mozgatása előtt győződjön meg róla, hogy a hűtőkör csövezete nem sérült.



FIGYELEM! Tűzveszély!

A mélyhűtő körfolyam meghibásodása esetén:

- Kerülje a nyílt láng használatát és a tűzforrásokat.
- Alaposan szellőztesse ki a helyiséget, amelyben a készülék található.

Mindennapos használat

- A készülék műanyag összetevőire ne helyezzen forró tárgyakat.
- Ne helyezze az élelmiszereket közvetlenül a készülék belső hátsó falára.
- A kiolvasztott élelmiszereket ne fagyassza le újra.
- A fagyott élelmiszert az élelmiszergyártó utasításainak megfelelően előcsomagolva tárolja.
- Szigorúan tartsa be a készülék gyártójának a tárolásra vonatkozó ajánlásait. Tanulmányozza a tárolásra vonatkozó utasításokat.
- A mélyhűtőben ne tároljon szénsavas italokat, mivel ez nyomást gyakorol az edényre, amely elrobbanhat, és megrongálhatja a készüléket.
- A fagyasztott élelmiszerek fagyási sérülést okozhatnak, ha közvetlenül a mélyhűtőből kivéve fogyasztja. ¹⁾
- Annak érdekében, hogy az élelmiszerek ne romoljanak meg, tartsa be az alábbi utasításokat.
 - Ha a készülék ajtója huzamos ideig nyitva van, akkor a készülék rekeszeiben a hőmérséklet jelentősen megnő.
 - Tisztítsa rendszeresen azokat a felületeket, amelyekkel az élelmiszerek érintkezhetnek, valamint a készülék lefolyó rendszerét is.
 - Tisztítsa a víztároló edényt abban az esetben ha 48 órán át nem használja a vízadagolókat, abban az esetben ha 5 napig nem használják a rendszert a vízhálózathoz csatlakozó részeket el kell távolítani.
 - A nyers húst valamint a friss halat tárolja megfelelő edényekben, hogy ne érintkezzen más élelmiszerekkel.
 - A két csillaggal jelölt fagyasztó (ha vannak a készülékben) a gyorsfagyasztott élelmiszerek tárolására, fagylalt készítésére vagy tárolására és jégkocka készítésére alkalmas.
 - Az egy, két és három csillagos fagyasztó a friss ételek fagyasztására nem alkalmas.
 - Ha a fagyasztó készülék hosszú ideig üres, kapcsolja ki, takarítsa ki, törölje ki jól és hagyja az ajtóját nyitva, hogy megelőzze a penész keletkezését a készülék belsejében.

Tisztítás és karbantartás

- A karbantartási műveletek előtt kapcsolja ki a készüléket és húzza ki az aljzatból a dugót.
- Ne tisztítsa a készüléket fémtárgyakkal.
- A jégnek a készülékről való eltávolításához ne használjon éles tárgyakat. Használjon műanyagkaparót.
- Rendszeresen ellenőrizze a készülék lefolyónyílását. Ha szükséges, tisztítsa meg a lefolyónyílást. Ha a lefolyónyílás eltömődik, a készülék aljában víz fog összegyűlni.

Beszerezés

Fontos! Az elektromos áramhoz való csatlakoztatáskor kövesse gondosan az erre vonatkozó utasításokat.

- Csomagolja ki a készüléket, ellenőrizze, hogy nem sérült-e a szállítás során. Ha a készülék sérült, ne csatlakoztassa az áramforráshoz. Ha a készülék sérült, az esetleges sérüléseket jelentse azonnal a forgalmazónak, ahonnan a készüléket vásárolta. Ebben az esetben őrizze meg a csomagolást.
- Javasoljuk, hogy a készülék villamos hálózatra csatlakoztatása előtt várjon legalább négy órát, hogy az olaj folyjon vissza a kompresszorba.
- A készülék körül a levegőnek szabadon kell keringenie; szellőzés hiányában a készülék túlhevülhet. A megfelelő szellőzés érdekében tartsa be a szerelési utasításokat.
- Amennyiben lehetséges, a készülék távolságtartóit helyezze egy fal irányába, hogy elkerülje a meleg részek (kompresszor, kondenzátor) érintését, vagy megfogását, az égési sérülések megelőzése érdekében.
- A készüléket ne helyezze fűtőtestek vagy tűzhelyek közelébe.
- Győződjön meg, hogy a dugóhoz a készülék beszerelését követően is hozzá lehet férni.


Javítások

- A készülék javításával kapcsolatos elektromos munkákat minősített villanyszerelőnek vagy illetékes személynek kell elvégeznie.
- A készüléket engedélyezett szervizben kell javíttatni, és kizárólag eredeti pótalkatrészeket kell használni.

Energiatakarékosság

- Ne helyezzen a hűtőszekrénybe meleg élelmiszereket.
- Ne tárolja az élelmiszereket szorosan egymás mellett, mert ez megakadályozza a levegő áramlását.
- Győződjön meg, hogy az élelmiszerek nem érnek hozzá a rekesz/rekeszek hátsó falához.
- Áramkimaradás esetén ne nyissa ki az ajtót/ajtókat.
- Ne nyissa ki túl gyakran az ajtót/ajtókat.
- Ne tartsa nyitva az ajtót/ajtókat hosszabb ideig.
- Ne állítsa a készülék hőszabályozóját a szükségesnél alacsonyabb hőfokra.
- Az alacsony energiafogyasztás érdekében minden tartozékot, például a polcokat, fiókokat és az ajtópolcokat az előre meghatározott pozícióban kell elhelyezni.

Környezetvédelem

Ez a készülék sem a hűtőfolyadék-keringető rendszerben, sem a szigetelő anyagokban nem tartalmaz az ózonréteget károsító gázokat. A készüléket nem szabad a lakossági hulladékkal és szeméttel együtt kidobni. A szigetelőhab gyúlékony gázokat tartalmaz: a készüléket a helyi hatóságoktól beszerezhető vonatkozó rendelkezésekkel összhangban kell hulladékba helyezni. Vigyázzon, ne sérüljön meg a hűtőegység, különösen hátul a hőcserélő környéke. A készüléken használt és  szimbólummal megjelölt anyagok újrahasznosíthatóak.

Csomagolóanyagok

Ezzel a jelzéssel ellátott csomagolóanyagok újrahasznosíthatók. A csomagolóanyagot dobja az újrahasznosításra kijelölt speciális konténerekbe.

A termék eltávolítása

1. Húzza ki a csatlakozót az elektromos hálózathoz.
2. Vágja el a vezetéket, és dobja el.

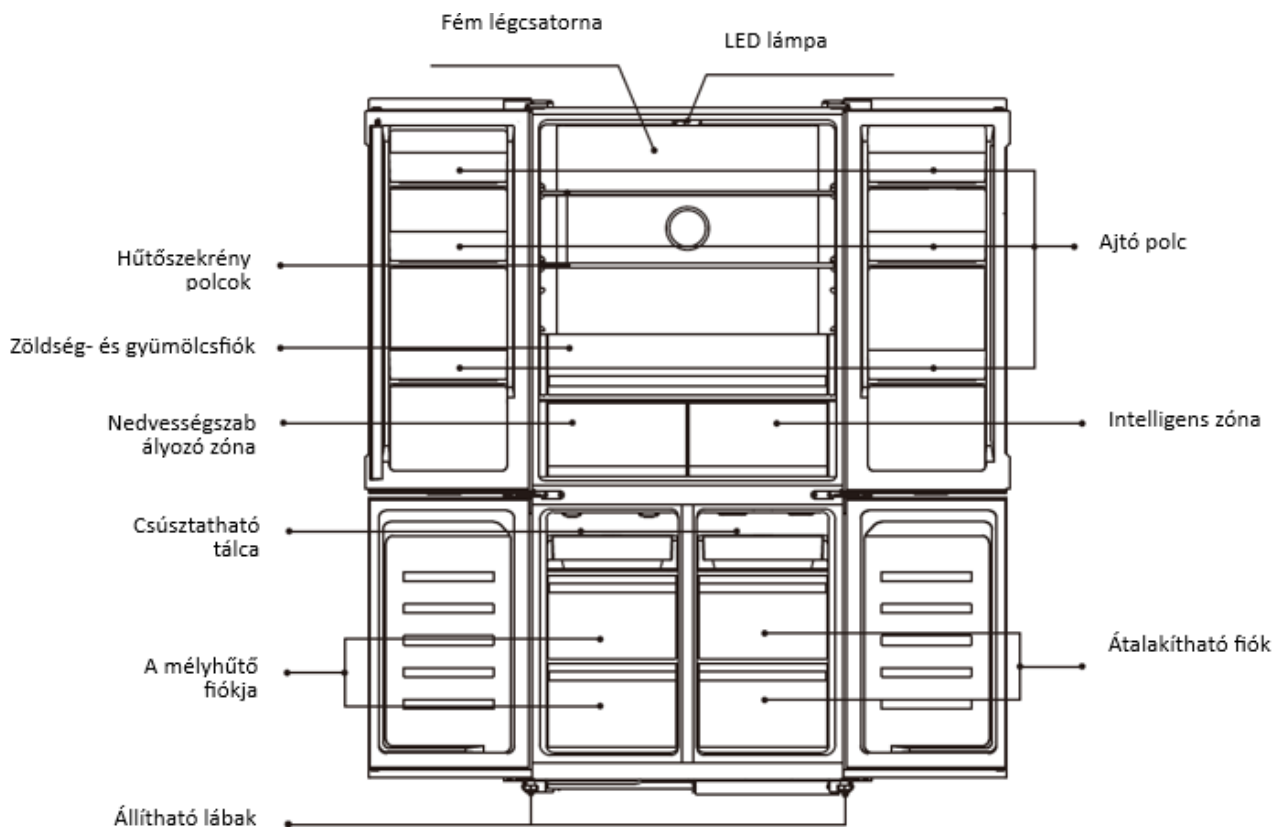


Figyelmeztetés! A készülék használatakor, karbantartásakor vagy ártalmatlanításakor figyeljen a készülék hátoldalán (a hátlapon vagy a kompresszorban) található, a bal oldalihoz hasonló sárga vagy narancssárga szimbólumra.

Ez a tűzveszélyre figyelmeztető szimbólum. A hűtőközeg-vezetékekben és a kompresszorban gyúlékony anyagok vannak jelen.

A készüléket használat, karbantartás vagy ártalmatlanítás során tartsa távol a tűzforrásoktól.

4. A TERMÉK LEÍRÁSA



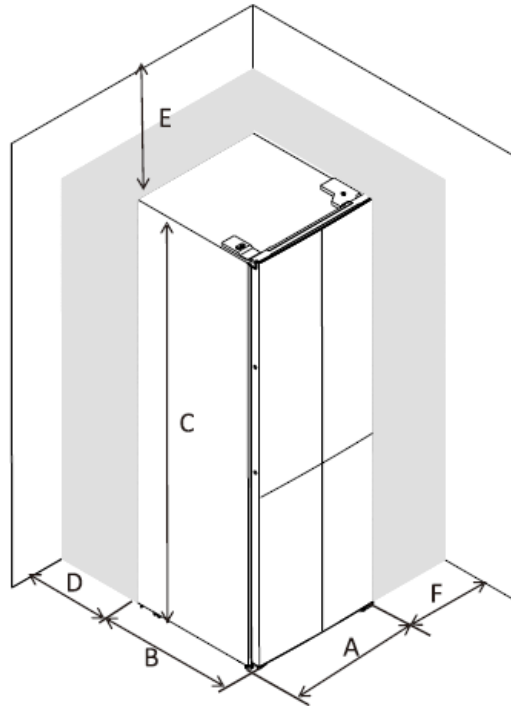
A kézikönyvben szereplő valamennyi ábra csupán tájékoztató jellegű. Előfordulhatnak kisebb különbségek a termék és az ábrák között.

5. BESZERELÉS

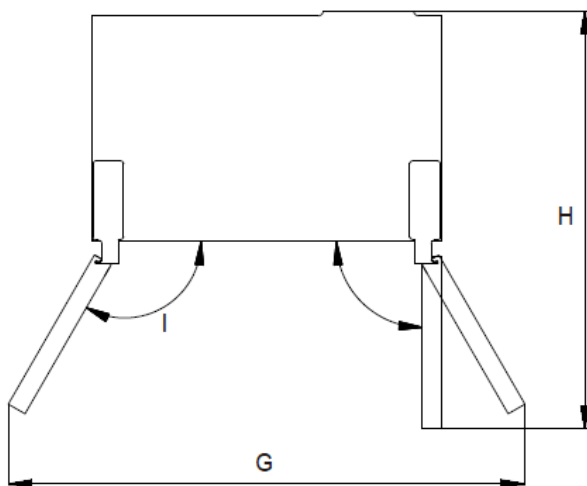
A térközre vonatkozó követelmények

Hagyjon elegendő helyet az ajtó kinyitásához.

A kiegészítő támasz nélküli és a beágyazással történő beépítés eltérő maximális ajtónyílásszöggel rendelkezik.

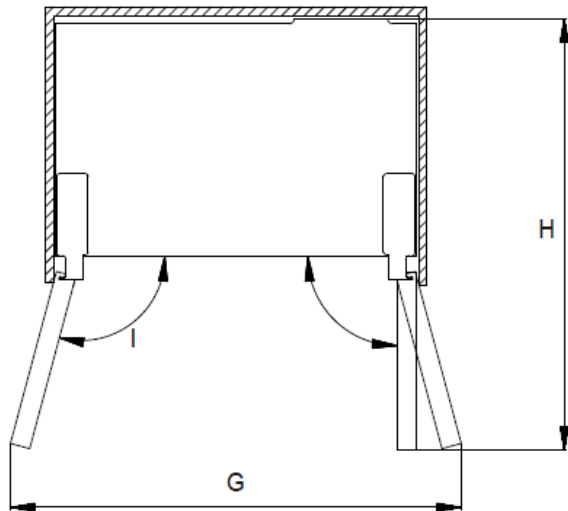


A kiegészítő támasz nélküli



A	905
B	597
C	1902
D	3
E	6
F	6
G	1335
H	1020
I	120°

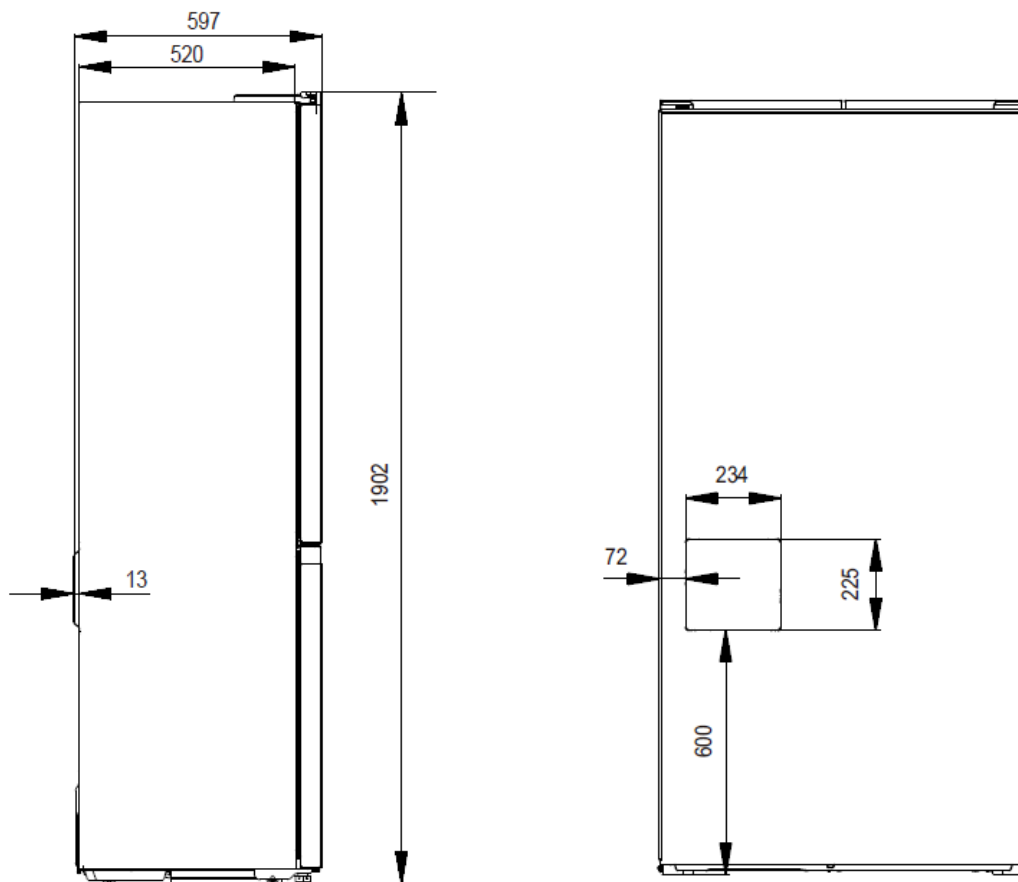
Beágyazással történő beépítés



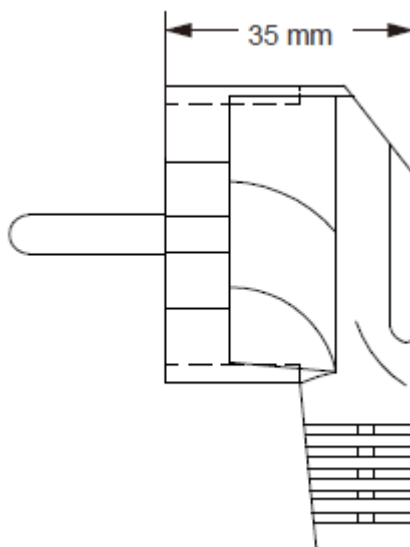
A	905
B	597
C	1902
D	3
E	6
F	6
G	1128
H	1020
I	105°

Útmutató a helyes elhelyezéshez

1. A nyomtatott áramköri lap burkolatát úgy tervezték, hogy a hűtőszekrény hátsó panelje és a fal közötti megfelelő távolságot biztosítsa, a hűtőszekrény és a fal közötti legközelebbi pozíció az, amikor a nyomtatott áramköri lap burkolata a falat érinti.
2. A nyomtatott áramköri lap fedelének helyzete és mérete az alábbiakban látható. Kérjük, vegye figyelembe a konnektor helyzetét, hogy a nyomtatott áramköri lap fedelének pozíciója lehetővé tegye a készülék csatlakoztatását a tápegységhez.



3. A csatlakozó mérete az alábbiakban látható. Kérjük, vegye figyelembe az állvány és a csatlakozó vastagságát, ha a csatlakozó a hűtőszekrény mögött található.

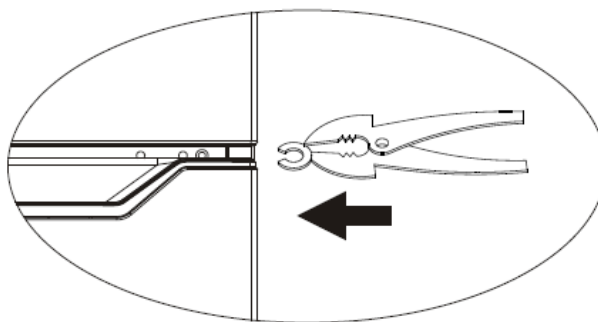
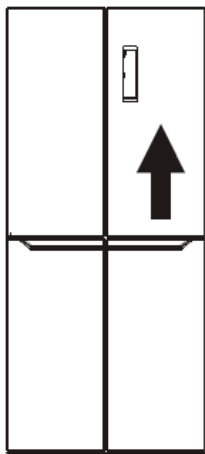


Az ajtók közötti magasságkülönbség kiegyenlítése

A szállítást követően vagy az ajtópolcok étellel és itallal való feltöltése után előfordulhat, hogy a felső ajtók nem fognak azonos szinten elhelyezkedni. Az ajtók beállítására 3 darab Grower alátét használható. Az ajtók közötti magasságkülönbség kiegyenlítése érdekében az alábbiak szerint járjon el.



1. Az ajtók közötti magasságkülönbség kiegyenlítése előtt győződjön meg róla, hogy a készülék megfelelően van elhelyezve.
2. Amennyiben a két felső ajtó között magasságkülönbséget észlel, emelje fel a kissé lejjebb elhelyezkedő ajtót és egy csípőfogó segítségével helyezzen be egy Grower alátétet a középső zsáner és az ajtó alsó része közé.

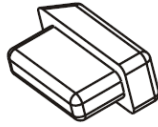


Figyelmeztetés! Vigyázzon, hogy az ajtó ne csípje be az ujjait. Kérjük, használjon egy szerszámot.

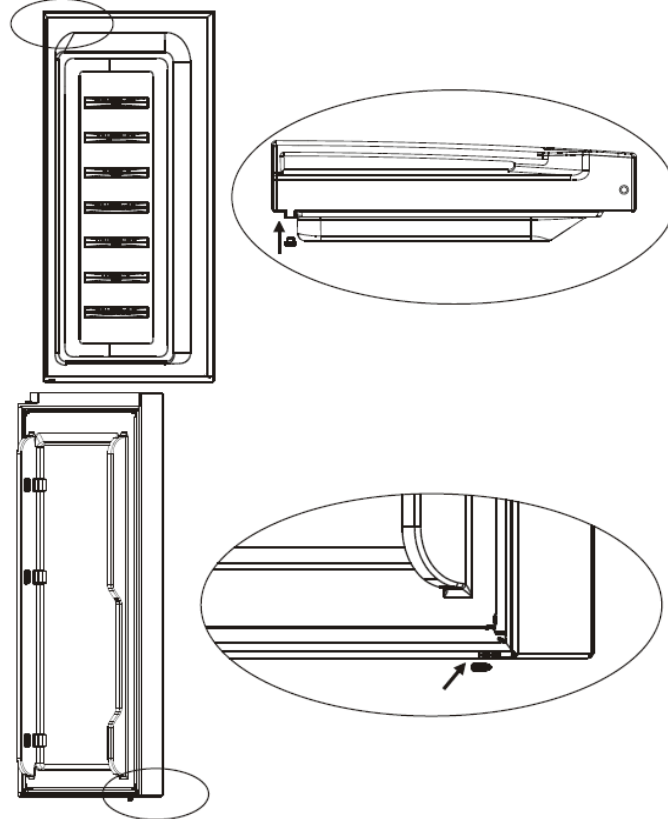
Figyelmeztetés! Annak érdekében, hogy elkerülje a Grower alátétek gyermekek általi lenyelését, ne tárolja azokat gyermekek számára hozzáférhető helyen. Ezek apró alkatrészek.

Gumiütközők

Minden ajtó gumiütközővel van ellátva. Ezek csökkentik az ütközés intenzitását az ajtók becsukásakor.



Kérjük, ne húzza meg a gumiütközőket. Amennyiben nincsenek felszerelve az ajtókra, kérjük válasszák ki őket a tartozékokat tartalmazó zacskóból és szereljék be az ajtókon megjelölt mélyedésekbe.

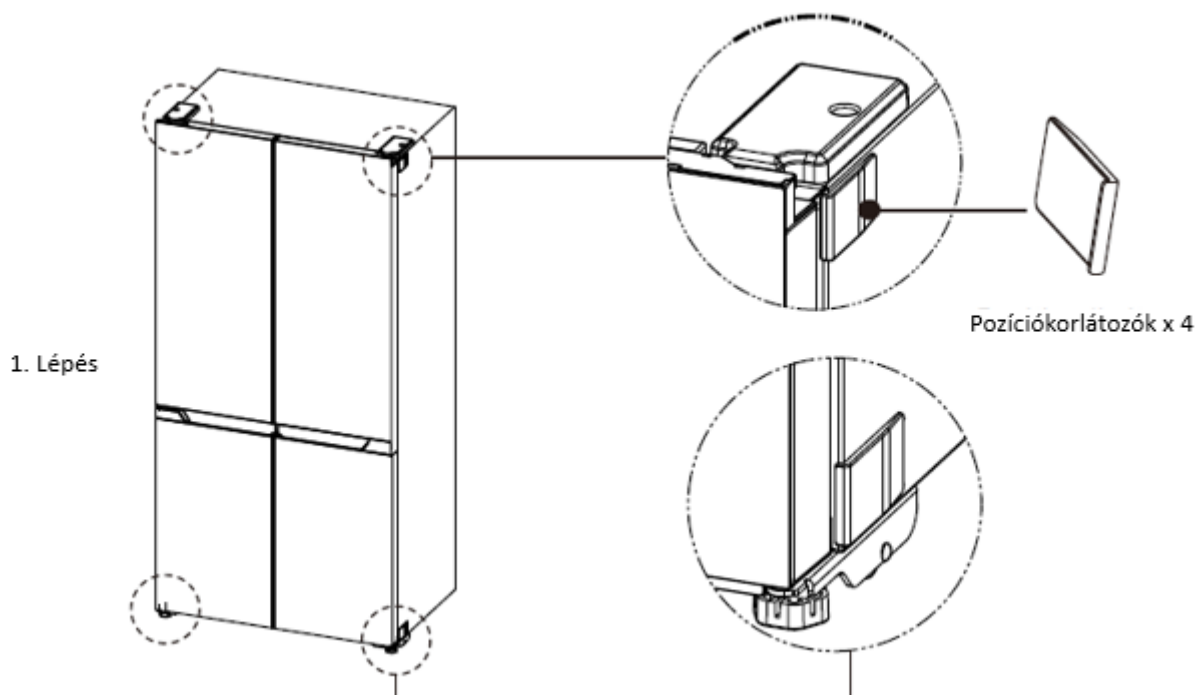


Figyelmeztetés! Annak érdekében, hogy elkerülje a gumiütközők gyermekek általi lenyelését, ne tárolja azokat gyermekek számára hozzáférhető helyen. Ezek apró alkatrészek.

1. A helyzetkorlátozók beépítése

A mindennapi használat során előfordulhat, hogy a készülék bizonyos mértékben elmozdul. Annak érdekében, hogy a készülék a megfelelő helyzetben maradjon a szekrényben, a készülék szekrénybe helyezése előtt felszerelheti a helyzetkorlátozókat.

- a) Vegye ki a 4 pozíciókorlátozót a tartozéktáskából;
- b) Távolítsa el a port a készülék sarkaiból;
- c) Távolítsa el a kettős ragasztószalagot a korlátozóról, igazítsa a készülék sarkaihoz, és ragassza fel.

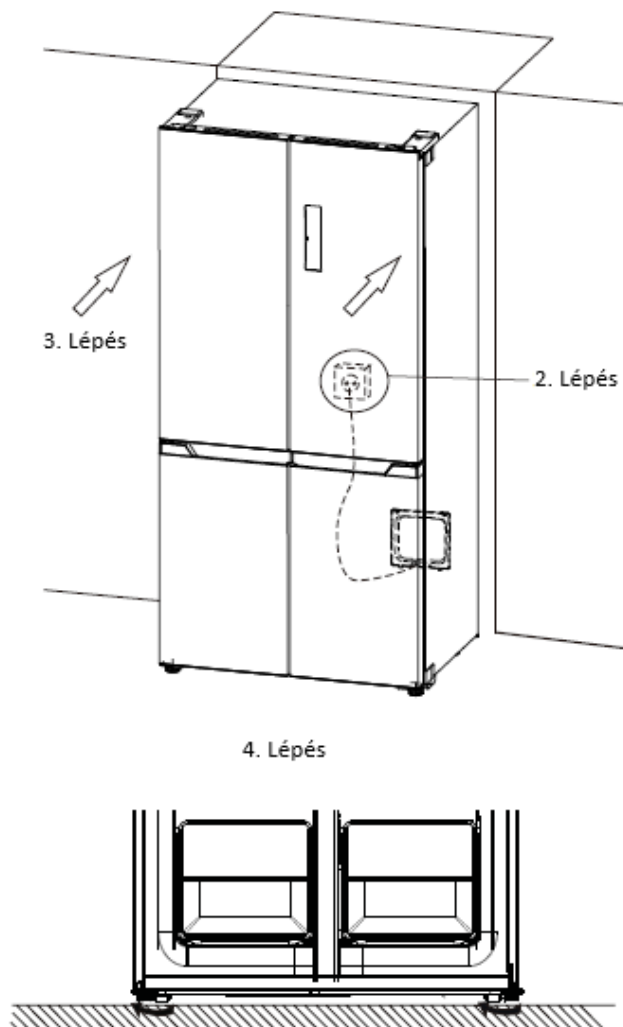


2. Csatlakoztassa a készüléket a tápegységhez.

3. Nyomja a készüléket a kívánt pozícióba

A készülék alul 4 kerékkel és 2 állítható lábbal van felszerelve. A padló sérülésének elkerülése érdekében a készülék tologatása előtt emelje fel az állítható lábakat.

4. Állítsa be a lábakat a készülék stabilizálása érdekében.



- A készülék a lábak elcsavarásával kiegyensúlyozható.
- Fordítsa el a lábakat manuálisan az óramutató járásával megegyező irányban, ezek felemelésére.
- Fordítsa el a lábakat manuálisan az óramutató járásával ellenkező irányban, ezek leengedésére.

Elhelyezés

Kérjük, helyezze a készüléket olyan helyre, ahol a környezeti hőmérséklet megfelel a készülék műszaki adatokat tartalmazó lapján található klímaosztálynak.

A valamely klímaosztályba tartozó hűtőkészülékek esetében:

- kiterjesztett mérsékelt övi: Ezt a hűtőkészüléket 10 °C és 32 °C közötti környezeti hőmérsékleten való használatra tervezték (SN);
- mérsékelt övi: Ezt a hűtőkészüléket 16 °C és 32 °C közötti környezeti hőmérsékleten való használatra tervezték (N);
- szubtrópusi övi: Ezt a hűtőkészüléket 16 °C és 38 °C közötti környezeti hőmérsékleten való használatra tervezték (ST);
- trópusi övi: „Ezt a hűtőkészüléket 16°C és 43°C közötti környezeti hőmérsékleten való használatra tervezték (T).

A beszerelés helye

A készüléket a hőforrásoktól, mint fűtőtestek, melegvíz-tároló és a közvetlen napfénytől távol kell elhelyezni. A jó teljesítmény biztosítása érdekében, amennyiben a készülék egy felfüggesztett bútordarab alá van elhelyezve, a készülék felső része és a bútor közötti távolságnak minimum 100 mm-nek kell lennie. Mindazonáltal, ideális körülmények között, kerülni kell a készülék felfüggesztett bútor alá helyezését. A pontos vízszintbe helyezést a készülék alján található, állítható lábak biztosítják.

Ez a hűtőszekrény nem használható beépített készülékként.

Figyelmeztetés! A beszerelt készüléknél az elektromos vezetéknek és a konnektornak könnyen hozzáférhetőnek kell lennie a beszerelést követően, a csatlakoztatás megszakítása érdekében.

Csatlakoztatás az elektromos hálózathoz

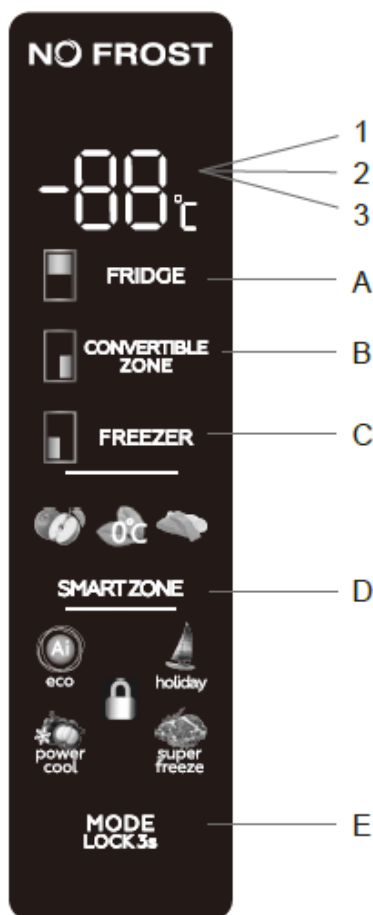
Amennyiben a házi áramellátás nem földeléses, külön földelés szükséges, az érvényes rendszabályoknak megfelelően, lépjen kapcsolatba egy szakképzett villanyszerelővel.

A gyártó nem vállal semmilyen felelősséget a termékkel kapcsolatban, amennyiben a fenti biztonsági intézkedések nincsenek betartva.

Ez a készülék megfelel a CEE rendelkezésnek.

6. MINDENNAPOS HASZNÁLAT

Vezérlőpanel



1.1 Gombfunkciók

- A. A hőmérséklet beállítása a hűtőtérben
- B. A hőmérséklet beállítása az átalakítható rekeszben
- C. A hőmérséklet beállítása a fagyasztórekeszben
- D. Intelligens zóna beállítás (Baby care, 0 °C Fresh, Soft freeze)
- E. Zárolás/feloldás/működési mód beállítása

1.2 LED kijelző

- 1. Hűtőtér hőmérséklete
- 2. A fagyasztórekesz hőmérséklete
- 3. Átalakítható rekesz hőmérséklete

2. Működési feltételek

1. Az irányító panel minden kijelzője 3 másodpercre működésbe jön, majd a kijelzőn megjelennek a készülék utolsó leállításakor rögzített beállítások (az üzemmód és a hőmérséklet). 25 másodperccel a gombok utolsó érintését követően a rendszer automatikusan zárolja önmagát. A zárolást követően a gombok érintése után 120 másodpercig működik a kijelző.
2. A hűtő/fagyasztó/átalakítható rekesz hőmérséklete külön-külön jelenik meg az egyes zónák hőmérsékletének beállításával.

Kijelző

- A kijelző 2 percen át világít, ha a hűtő vagy a mélyhűtő részek ajtója nyitva maradt (az ajtók jelzései szerre kerülnek az irányító panelre).

- Az irányító panel világítani kezd bármely gomb megnyomásakor és az utolsó érintést követően 2 perc után kikapcsol.
- Így működik a kijelző a normális üzemmód alatt.
 - A hűtő rész hőmérsékletének kijelzése: az aktuálisan beállított hőmérsékletet mutatja.
 - A mélyhűtő rész hőmérsékletének kijelzése: az aktuálisan beállított hőmérsékletet mutatja.
 - Hőmérsékletkijelző az átalakítható rekeszben: az aktuálisan beállított hőmérsékletet mutatja.

3. A hőmérséklet beállító gomb használata

3.1 A hűtő rész hőmérsékletének beállítása

a) a hűtő rész hőmérsékletének beállítása

Ez a gomb a felhasználó által választott üzemmód vagy a „Super” üzemmód alatt is működőképes. Ha belépünk a hűtő rész hőmérsékletének állítását lehetővé tevő menübe, ez a gomb villogni kezd. A gomb egymás utáni megnyomásával a hőmérséklet fokozatosan 2 °C -ról 3°C, 3°C, 4°C, 5°C, 6°C, 7°C, 8°C, - - (off)-ra emelkedik. Ha a gomb 5 másodpercig villog, a hőmérséklet be van állítva.

b. A hűtő rész működésének leállítása

Nyomja le a „Hűtő rész hőmérsékletének állítására szolgáló gombot” és válassza ki az „- -” lehetőséget. A gomb 5 másodpercen át villog, ami azt jelenti, hogy a készülék rögzítette a kiválasztott beállítást, a hűtő rész működése leállt.

3.2 A mélyhűtő rész hőmérsékletének beállítása

A mélyhűtő rész hőmérsékletének beállítása Ez a gomb a felhasználó által választott üzemmód vagy a „Szabadság” üzemmód alatt is működőképes.

Ha belépünk a mélyhűtő rész hőmérsékletének állítását lehetővé tevő menübe, ez a gomb villogni kezd. Ha ezt a gombot lenyomva tartja a hőmérséklet beállítása -14°C-ról -15 °C, -16 °C, -17 °C, -18 °C, -19 °C, -20 °C, -21 °C, -22°C-ra módosul. Ha a gomb 5 másodpercen át villog, a hőmérséklet kiválasztása megtörtént.

3.3 Hőmérsékletszabályozás az átalakítható rekeszben

a. Hőmérsékletszabályozás az átalakítható rekeszben:

Ez a gomb mind a felhasználó által meghatározott, mind pedig az egyéb üzemmódokban is működik. Az átalakítható rekesz hőmérséklet-szabályozási üzemmódjába való belépést követően ez a gomb villogva világít. Ha ezt a gombot lenyomva tartja a hőmérséklet beállítása 5 °C-ról 4 °C, 3 °C, 2 °C, 1 °C, 0 °C, -1 °C, -2 °C, -3 °C, -4 °C, -5 °C, -6 °C, -7 °C, -8 °C, -9 °C, -10 °C, -11 °C, -12 °C, -13 °C, -14 °C, -15 °C, -16 °C, -17 °C, -18 °C, -19 °C, -20 °C, --(Off)-ra módosul. Ha a gomb 5 másodpercen át villog, a hőmérséklet kiválasztása megtörtént.

b. Az átalakítható rekesz működésének leállítása

Nyomja meg a „Az átalakítható rekesz hőmérséklet-szabályozás” gombot, és válassza ki a „- -” lehetőséget. A gomb 5 másodpercig villog, ami azt jelenti, hogy a beállítás ki lett választva, és az átalakítható rekesz működése leáll.

3.4 A Smart zóna rekesz hőmérséklet-szabályozása

Ez a gomb a Felhasználó által meghatározott mde és a "Super" üzemmódban is működik.

A gomb egymás utáni megérintésével az egyes funkcióknak megfelelő logó a következő sorrendben, egymás után világít: "Baby care", "0 °C fresh", "Soft freeze".

Az egyes funkcióknak megfelelő hőmérséklet:

- Baby care (3°C)
- 0 °C fresh (0°C)
- Soft freeze (-1.5°C)

3.5 Mód/Zárolás/Kioldás

a. Ha ezt a gombot többször lenyomjuk, a hűtőszekrény üzemmódja váltakozik az „ECO” üzemmód - „Szabadság” üzemmód - „Super” üzemmód - Felhasználó által programozott üzemmód közt. Ha a gomb 5 másodpercen át villog, a hőmérséklet kiválasztása megtörtént.

b. Hosszan nyomja le, ha a zárolásból kilépne vagy beüzemlné azt.

- Feloldás: Ha a készülék zárolt üzemmódban van, tartsa lenyomva 3 másodpercig, ezt követően egy rövid hangjelzés értesít arról, hogy a gombok feloldása megtörtént.

- Zárolás: Ha a készülék zárolás nélküli üzemmódban van, tartsa lenyomva 3 másodpercig, ezt követően egy rövid hangjelzés értesít arról, hogy a gombok zárolása megtörtént.

3.6 A vezérlőpanel gombjai

Bármely gomb lenyomása esetén rövid hangjelzés lesz hallható. A gombok csak abban az esetben reagálnak az utasításokra, ha a vezérlőpanel feloldott állapotban van.

3.7 A zárolási funkció

Ha semelyik gombot nem nyomjuk le 25 másodpercen át, a gombok automatikusan zárásra kerülnek.

3.8 „ECO” üzemmód

Nyomja le a „Mode” gombot a „ECO” üzemmód kiválasztása érdekében. Az „ECO” piktogram 5 másodpercig villog, majd folyamatosan világít.

Az „ECO” üzemmód használata esetén a hűtőrekesz hőmérséklete 6°C, illetve a fagyasztó rekesz hőmérséklete -16°C. A „FRIDGE” vagy a „FREEZER” gombok lenyomása nem változtat a beállításokon, csupán az „ECO” piktogram villan fel három másodpercre emlékeztetőül. Az átalakítható rekesz hőmérséklete külön állítható.

„ECO” üzemmód kikapcsolása:

Ha inaktíválni szeretné az „Eco” üzemmódot, egy másik üzemmód kiválasztása érdekében nyomja le a „MODE” gombot.

3.9 „Vakáció” üzemmód

Nyomja le a „Mode” gombot a „Szabadság” üzemmód kiválasztása érdekében. A piktogram 5 másodpercig villog, majd folyamatosan világít.

A hűtő rész hőmérséklete 17°C-ra lesz állítva. A „FRIDGE” gomb lenyomása nem változtat a beállításokon, csupán az „Vakáció” piktogram villan fel három másodpercre emlékeztetőül.

A fagyasztórekesz és az átalakítható rekesz hőmérséklete külön állítható.

„Vakáció” üzemmód kikapcsolása

Ha szeretne kilépni a „Vakáció” üzemmódból, nyomja le a „MODE” gombot, így választhat egy másik üzemmódot.

3.10 „SUPER FREEZE” fagyasztási funkció

Nyomja meg a „MODE” gombot a „SUPER FREEZE” funkció aktiválásához. Az ikon 5 másodpercig villog, majd világít. „SUPER FREEZE” üzemmód: A mélyhűtő rész hőmérsékletét (-25 °C) nem lehet beállítani. A „FREEZER” gomb lenyomása nem változtat a beállításokon, csupán a piktogram villan fel három másodpercre emlékeztetőül.

A hűtőrekesz és az átalakítható rekesz hőmérséklete külön-külön is beállítható. A „SUPER FREEZE” üzemmód így kapcsolható ki:

- a „SUPER FREEZE” fagyasztási funkció kézi kikapcsolása.

- ha a „SUPER FREEZE” fagyasztási funkció több mint 50 órán keresztül aktív volt.

A készülék ismét a „SUPER FREEZE” üzemmód előtti üzemmódba tér vissza.

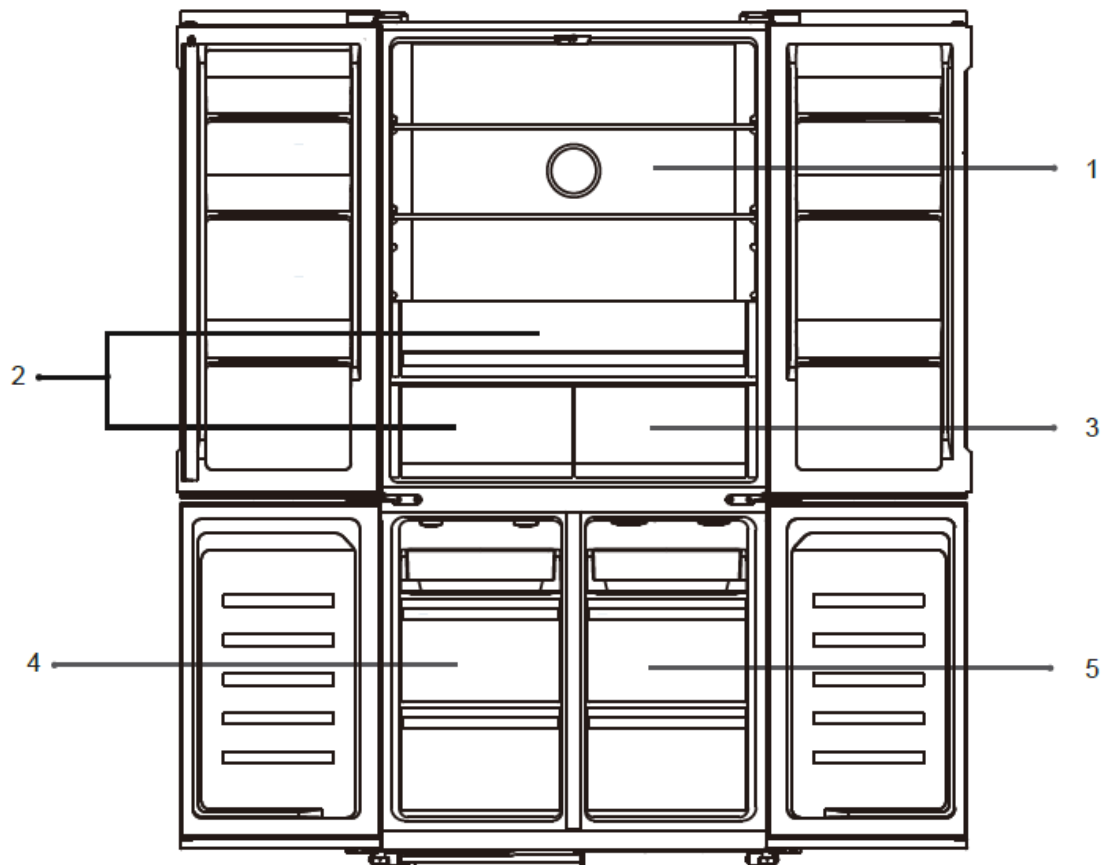
3.11 „Power cool” funkció

Hűtse le a hűtőteret az adott rekeszben elérhető legalacsonyabb hőmérsékletre. Körülbelül 2,5 óra elteltével a beállított hőmérséklet visszatér a korábbi értékre.

3.12 Figyelmeztetés a nyitott ajtóra vonatkozóan

Ha a hűtőszekrény vagy a fagyasztórekesz ajtaja 60 másodpercig nyitva marad, a riasztás ciklusonként szólal meg, amíg az ajtó be nem záródik.

Több hőmérsékletű zóna



1. Hűtőrekesz hőmérséklete 2 °C ~ 8 °C/Lekapcsolva
A vezérlőpanel által szabályozható.
2. Friss élelmiszerek tárolási hőmérséklete 2 °C ~ 8 °C
3. Hőmérséklet az intelligens zónában -1,5 °C / 0 °C / 3 °C
4. A fagyasztórekesz hőmérséklete -22 °C ~ 14 °C
A vezérlőpanel által szabályozható.
5. Átalakítható rekesz hőmérséklete -20 °C~5 °C/nyitva
A vezérlőpanel által szabályozható.

Első használat - A készülék belsejének tisztítása

Mielőtt először használná, törölje le a készülék belsejét és minden belső tartozékát langyos vízzel és semleges tisztítószerrel, hogy elűzhesse az új termékekre jellemző szagot, majd jól szárítsa ki a készüléket.

Fontos! Ne használjon maró hatású vegyszereket, mert ezek károsítják a készülék felületeit.

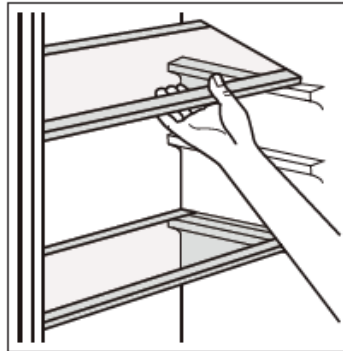
Kiolvasztás

Felhasználásuk előtt az élelmiszereket kiolvaszthatjuk a hűtő részben vagy szobahőmérsékleten annak függvényében, hogy mennyi idővel rendelkezünk ehhez a művelethez.

A kis darabokat fagyasztott állapotban is főzhetjük, úgy ahogyan kivettük a fagyasztóból. Ebben az esetben a főzés ideje hosszabb lesz.

Elmozdítható rácsok

A hűtőszekrény falai tartó csúszóvezetékekkel vannak ellátva annak érdekében, hogy a polcokat igényei szerint helyezhesse el.



Az ajtón lévő polcok elhelyezése

A különböző méretű kiszerezésben forgalmazott élelmiszerek tárolásának megkönnyítése érdekében, az ajtók fiókjait különböző magasságra lehet állítani. Ennek elvégzése érdekében az alábbiaknak megfelelően járjon el: finoman húzza a fiókokat a nyílak irányába, vegye ki őket, majd szükségleteinek megfelelően helyezze vissza.

Jégkockák

A készülékben egy vagy több tálca található jégkocka előállítására.

A friss élelem fagyasztása


- A fagyasztó alkalmas a friss élelmek lefagyasztására és a fagyasztott élelmek hosszú távú tárolására.
- Helyezze a friss élelmiszereket a berendezés fagyasztófülkéjébe.
- A 24 óra alatt lefagyasztható maximális mennyiség megtalálható a technikai adatokat tartalmazó címkén.
- A fagyasztási eljárás 24 órát vesz igénybe; ebben az időintervallumban ne adjon hozzá újabb élelmiszereket fagyasztás céljából.

A fagyasztott élelem tartósítása

Az első indítás alkalmával vagy ha egy ideig a készülék használaton kívül volt, kapcsolja be, majd hagyja a leghidegebb hőmérsékletre állítva legalább 2 órát működni, anélkül hogy élelmiszereket tenne bele.

Fontos! Ha valamilyen probléma miatt kiolvadnak a készülékben levő élelmiszerek, például áramszünet miatt, ha az áramszünet hosszabb volt mint a technikai adatokat tartalmazó táblázatban megjelölt idő, a kiolvadt élelmiszert gyorsan el kell fogyasztani vagy főzéshez azonnal fel kell használni majd ezt követően újrafagyasztani (a főtt ételt).

Hőmérséklet-beállítási javaslatok

Hőmérséklet-beállítási javaslatok		
Környezeti hőmérséklet	Hőmérséklet beállítása	
Nyár (38 °C fölött)		2 °C - ra beállított hűtő
		-20 °C-ra beállított fagyasztó
Normál		4 °C - ra beállított hűtő
		-18 °C-ra beállított fagyasztó
Télien (16°C alatt)		5 °C - ra beállított hűtő
		-18 °C-ra beállított fagyasztó

A fenti információk a hőmérséklet beállítására vonatkozó javaslatokat nyújtják a felhasználók számára. A konvertibilis zóna beállításának hőmérséklete az élelmiszer betöltésétől függ.

Élelmiszerek elhelyezése

A hűtőszekrény rekeszei	Élelmiszer típusok
A mélyhűtő retesz ajtó rácsai	Természetes tartósítószerrel tartalmazó élelmiszerek, valamint dzsemek, szörpök, italok, fűszerek. Ne tároljon hamar romlandó ételeket.
Zöldség- és gyümölcs tároló fiók	A gyümölcsöket, fűszernövényeket és zöldségeket helyezze külön a zöldség és gyümölcs tároló fiókba. Ne tároljon a hűtőben banánt, hagymát, krumplit vagy fokhagymát.
Hűtőszekrény polc	Tejtermékek, tojás, sütemények, tésztafélék, pizza Elkészítést nem igénylő élelmiszerek, készételek, kolbászok, maradék ételek.
Nedvességszabályozó zóna	Megőrzi a nedvességet és a frissességet. Meghosszabbítja az eltarthatósági időt. Friss gyümölcsök és zöldségek, csemegék.
Intelligens zóna	„Baby care” funkció: 3 °C, bébiétel, csemegék. „0 °C fresh” funkció: 0 °C, italok, sör, vörösbor, csemegék

	„Soft freeze” funkció: -1,5 °C, élelmiszerek, például nyers hús, hal, tenger gyümölcsei, gombócok stb. hűtése rövid távú tárolásra.
Átalakítható rekesz	-20 °C~5 °C, a változó hőmérsékleten fagyasztható vagy hűthető élelmiszerek széles skálájához. 3 °C~5 °C: friss gyümölcsök és zöldségek 0°C~2°C: italok, sör, vörösbor -7°C~-1°C: élelmiszerek, például nyers hús, hal, tenger gyümölcsei, gombócok stb. hűtése rövid távú tárolásra. -20°C~-8°C: élelmiszerek, például nyers hús, hal, tenger gyümölcsei, gombócok stb. hűtése hosszú távú tárolás céljából.
Fagyasztórekesz	A hosszú ideig tárolható élelmiszerek részére. Tenger gyümölcsei, hal, hús, gombócok, fagyasztott sütemények.

Sorszám	Rekesz típusa	Javasolt tárolási hőmérséklet [°C]	Megfelelő élelmiszer
1	Hűtőszekrény	+2≤+6	Tojás, főtt ételek, csomagolt élelmiszer, gyümölcs és zöldség, tejtermék, a sütemények és italok fagyasztása nem megengedett.
2	(***)*- Fagyasztás	≤-18	A tenger gyümölcsei, hal, garnélarák, rákfélék, akvakultúra-termékek és a húsfélék fagyasztása javasolt (javasolt tárolási idő 3 hónap, a tárolási idő növekedésével fokozatosan veszítenek az ízükből és tápértékükből).
3	***-Fagyasztás	≤-18	A tenger gyümölcsei, hal, garnélarák, rákfélék, akvakultúra-termékek és a húsfélék fagyasztása nem javasolt (javasolt tárolási idő 3 hónap, a tárolási idő növekedésével fokozatosan veszítenek az ízükből és tápértékükből).
4	** - Fagyasztás	≤-12	A tenger gyümölcsei, hal, garnélarák, rákfélék, akvakultúra-termékek és a húsfélék fagyasztása nem javasolt (javasolt tárolási idő 2 hónap, a tárolási idő növekedésével fokozatosan veszítenek az ízükből és tápértékükből).
5	*-Fagyasztás	≤-6	A tenger gyümölcsei, hal, garnélarák, rákfélék, akvakultúra-termékek és a húsfélék fagyasztása nem javasolt (javasolt tárolási idő 1 hónap, a tárolási idő növekedésével fokozatosan veszítenek az ízükből és tápértékükből).
6	Csillag nélkül	-6≤0	Friss disznó-, borjú- és csirkehús, friss hal, különböző feldolgozott és csomagolt élelmiszerek stb. (javasolt azon a napon elfogyasztani, illetve legkésőbb három napon belül). Feldolgozott élelmiszerek, részben csomagolva (nem fagyasztható élelmiszerek).

7	Hűtés	-2≤+3	Friss/fagyasztott disznó, borjú, csirke hús, akvakultúra-termékek, stb. (ezeket az élelmiszereket legtöbb 7 napot lehet tárolni 0 °C alatti hőmérsékleten; 0 °C fölötti hőmérsékleten való tárolás esetén javasolt még aznap de legtöbb 2 napon belül elfogyasztani). Tenger gyümölcsei (ezeket az élelmiszereket 15 napot lehet tárolni 0 °C alatti hőmérsékleten, ezek tárolását nem javasolják 0 °C fölött).
8	Friss élelmiszerek	0≤+4	A friss disznó-, borjú-, csirkehús, főtt étel stb. (javasolt ugyanazon a napon vagy legkésőbb 3 napon belül elfogyasztani).
9	Bor	+5≤+20	Vörös bor, fehér bor, pezsgőbor stb.

Az élelmiszerek tárolási időtartama

A hőmérséklet beállítására vonatkozó javaslatok betartása esetén az élelmiszerek fagyasztóban tárolási időtartama 3 nap.

A hőmérséklet beállítására vonatkozó javaslatok betartása esetén az élelmiszerek mélyhűtőben tárolási időtartama 1 hónap.

Az élelmiszerek maximális tárolási időtartama egyéb beállítások esetén rövidebb lehet.

7. TIPPEK ÉS HASZNOS TANÁCSOK

Javaslatok a mélyhűtéshez

A lehető leghatékonyabb fagyasztás érdekében, íme néhány fontos tanács:

- a 24 óra alatt lefagyasztható maximális mennyiség megtalálható a technikai adatokat tartalmazó címkén;
- a fagyasztási eljárás ideje: 24 óra. Ebben az időintervallumban nem adhatunk hozzá a fagyasztó részhez újabb élelmiszereket;
- csakis jó minőségű, friss és tiszta élelmiszereket fagyasszon;
- készítsen elő kis adagú élelmiszereket, melyek gyorsan és teljes mértékben lefagyaszthatóak, így később könnyebb a szükséges mennyiséget kiolvasztani;
- az élelmiszereket csomagolja be alumínium vagy polietilén fóliába és győződjön meg róla, hogy jól be lettek csomagolva;
- győződjön meg róla, hogy a friss, nem fagyasztott élelmiszerek nem érintkeznek a már mélyfagyasztott élelmiszerekkel, így elkerülheti ez utóbbi hőmérsékletének növekedését;
- a zsíradék nélküli élelmiszerek hosszabb ideig, jobban tartósíthatóak; a só csökkenti az élelmiszerek tartósíthatósági időszakát;
- a jégkrémeket ha a mélyhűtőből való kivételt követően azonnal elfogyasztjuk, a bőr sérüléséhez és fagyási sérülésekhez vezethet;
- ajánljuk, hogy minden csomagon tüntesse fel a lefagyasztás dátumát, így pontosan fogja tudni, hogy mennyi ideje van lefagyasztva az adott élelmiszer.
- ajánljuk, hogy minden csomagon tüntesse fel a lefagyasztás dátumát, így pontosan fogja tudni, hogy mennyi ideje van lefagyasztva az adott élelmiszer.

Ajánlatok a fagyasztott élelmiszerek tárolására vonatkozóan

A készülék optimális működése érdekében a következőket javasoljuk:

- győződjön meg, hogy a kereskedelemben található fagyasztott élelmiszerek helyesen voltak tárolva az üzletben;
- gondoskodjon arról, hogy a fagyasztott élelmiszerek az üzletből a lehető legrövidebb idő alatt a hűtőládába kerüljenek;
- ne nyissa ki gyakran a hűtőláda ajtaját, ne hagyja nyitva a szükségesnél hosszabb ideig;

- a kiolvasztott élelmiszerek gyorsan romlanak, és nem fagyaszthatók újra;
- ne haladja meg az élelmiszergyártó által megjelölt tárolási időszakot.

Ajánlatok a friss élelmiszerek hűtött tárolásához

Az optimális teljesítmény érdekében:

- Ne helyezzen be a készülékbe meleg ételt vagy párolgó folyadékot.
- Földje be vagy csomagolja be az ételeket, élelmiszereket, különösen abban az esetben, ha ezek erős szagot árasztanak.
- A húst (bármely fajtát) polietilén fóliába csomagoljuk és a zöldségek és gyümölcsök részére kialakított fiók fölötti üvegpolcra helyezzük.
- A biztonság érdekében, ilyen módon legfeljebb egy vagy két napig tárolja így a húst.
- A főtt ételek, a felvágottak stb.: ezeket le kell takarni és bármely polcon elhelyezni.
- Gyümölcsök és zöldségek: ezeket jól meg kell pucolni és elhelyezni az ezeknek szánt fiókokba.
- Vaj és sajtfélék: ezeket speciális tárolóedénybe kell helyezni, melyek hermetikusan zárnak vagy legalább alumínium vagy polietilén fóliába tekerni a lehető legszorosabban.
- Tej: jól záró üvegben, a hűtőszekrény ajtajában levő polcon kell tárolni.
- Ha nincsenek becsomagolva, a banánt, a krumplit, a hagymát és a fokhagymát ne tárolja a hűtőszekrényben.

Tisztítás

Higiéniai okokból a készülék belsejét, ideértve a tartozékokat is, rendszeresen tisztítani kell.

Figyelem! A készüléket húzza ki az elektromos hálózatról a tisztítás idejére. Áramütés veszély! Tisztítás előtt kapcsolja ki a készüléket, és húzza ki a konnektorból, vagy szakítsa meg az áramellátást vezérlő gombtól, illetve a főbiztosítéktól. A tisztításhoz soha ne használjon gőzkeltő készüléket. A nedvesség lerakódhat az elektromos összetevőkben. A meleg gőz megrongálhatja a műanyag részeket. Üzembe visszahelyezés előtt, győződjön meg, hogy a készülék teljesen kiszáradt.

Fontos! Az éterolajak és a szerves oldószerek, mint például a citromlé vagy a narancshéj leve, a vajsav, az ecetsavat tartalmazó tisztítószerek, megrongálhatják a műanyag részeket.

- Ne hagyja, hogy ilyen anyagok a készülék komponenseivel érintkezzenek.
- Ne használjon dörzshatású tisztítószereket.
- Vegye ki az élelmiszereket. Helyezze hűvös helyre, jól letakarva.
- Kapcsolja ki a készüléket, és húzza ki a konnektorból, vagy szakítsa meg az áramellátást vezérlő gombtól, illetve a főbiztosítéktól.
- A készüléket és a belső részeket mossa le egy törülközővel, langyos vízzel. Tisztítás után öblítse le tiszta vízzel és törölje szárazra egy száraz törülközővel.
- Miután minden összetevő teljesen kiszáradt, helyezze ismét működésbe a készüléket.

A „No Frost” funkció leírása

Ez a készülék "No frost" funkcióval van ellátva, és a leolvasztás automatikusan történik.

8. A HIBÁK MEGOLDÁSA

Ha problémái vannak a géppel, vagy attól tart, hogy az nem működik megfelelően, az alábbi ajánlásokat követve elvégezhet néhány ellenőrzést, mielőtt műszaki szakembert hívna.

Figyelem! Hibaelhárítás előtt húzza ki a készüléket a villamos hálózatról. Azokat a hibákat, amelyek nem szerepelnek ebben a kézikönyvben, kizárólag szakosított villanyszerelő háríthatja el.

Fontos! A szokványos használat alatt hallatszik néhány zaj (kompresszor, a hűtőfolyadék áramlása).

Probléma	Esetleges ok	Megoldás
A készülék nem működik	A dugaszt az aljzatba nem megfelelően helyezték be.	Csatlakoztassa a gépet az áramforráshoz.

	A biztosíték kiégett vagy meghibásodott.	Ellenőrizze a biztosítékot. Szükség esetén cserélje ki.
	A dugasz meghibásodott.	A villamossági rendszer meghibásodásait kizárólag szakképzett villanyszerelővel javíttassa meg.
A berendezés túlzottan hűt vagy fagyaszt.	A beállított hőmérséklet túl alacsony vagy a készülék a SUPER üzemmódban működik.	Tekerje a hőszabályzó gombot magasabb hőfokra.
Az élelmiszereket nem fagyasztja le megfelelően.	A hőmérséklet értéke nem megfelelő.	Olvassa el a hőmérséklet szabályozását leíró részt.
	Az ajtó túlságosan hosszú ideig maradt nyitva.	Ne tartsa nyitva az ajtót a szükségesnél hosszabb ideig.
	Az elmúlt 24 órában nagy mennyiségű meleg élelmiszer került be a hűtőszekrénybe.	Ideiglenesen csavarja el a hőmérsékletállító gombot egy magasabb állásba.
	A berendezés egy hőforráshoz közel helyezkedik el.	Kérjük, olvassa el a berendezés elhelyezésére vonatkozó részeket.
Sok jég alakult ki az ajtó tömítésén is.	Az ajtó tömítése nem zár megfelelően.	Melegítse gondosan az ajtó tömítés érintetlen részeit hajszárítóval (hűvösre állítva). Ugyanakkor kézzel modellálja az ajtó tömítést oly módon, hogy az jól elhelyezkedjen.
Víz folyik ki a padlóra	A lefolyó nyílása eldugult	Olvassa el a tisztításra és karbantartásra vonatkozó fejezetet
Szokatlan zajok	A készülék nem áll stabilan.	Állítsa a lábak magasságát.
	A készülék a fallal vagy egyéb tárgyakkal érintkezik.	Mozdítsa el kicsit a berendezést.
	Egy adott alkatrész (például a készülék egyik csöve) a falhoz vagy egy másik alkatrészhez ér hozzá.	Amennyiben szükséges, óvatosan hajlítsa meg az alkatrészt, hogy az semmihez se érhesen hozzá.

Ha a hiba ismét jelentkezik, forduljon hivatalos szervizközpontjához.

SZERVIZ ÉS ÜGYFÉLSZOLGÁLAT

Kizárólag eredeti cserealkatrészeket használjon.

Mielőtt felvenné a kapcsolatot az engedélyezett szakszervizünkkel, győződjön meg róla, hogy a következő adatok a rendelkezésére állnak: Modell megnevezése és sorozatszám

Ezeket az adatokat a készülék műszaki adattábláján találja. Ezek az adatok előzetes értesítés nélkül is megváltoztathatók.

MŰSZAKI ADATOK

A termék műszaki adatai a készülék műszaki adattábláján és az energiacímkéjén vannak feltüntetve.

A hűtőszekrény energiacímkéjén található QR-kód egy internetes linket biztosít a készülék teljesítményével kapcsolatos információkhoz, melyek az EPREL adatbázisban találhatóak.

Utólagos tanulmányozás céljából, őrizze meg az energiacímkét a használati útmutatóval valamint a készülék egyéb dokumentumaival együtt.

Úgyszintén, ezeket az információkat az EPREL adatbázisban is megtalálja. Ennek érdekében használja a következő linket: <https://eprel.ec.europa.eu> és adja meg a termék megnevezését és sorozatszámát, amelyeket a készülék műszaki adattábláján talál.

A termékével kapcsolatos információk eléréséhez az EPREL portálon beolvashatja az alábbi kódokat:



Köszönjük, hogy termékünket választotta! Ha termékével kapcsolatosan további információkra van szüksége, keresse fel honlapunkat az alábbi linkeket használva:

A használati útmutatókat innen töltheti le: <https://www.heinner.ro>

A javításokra vonatkozó adatokat itt találja: <https://www.heinner.ro>



A hulladékok környezetfelelős eltávolítása

Segíthet a környezet védelmében!

Kérjük, tartsa be a helyi rendelkezéseket: a nem működő elektromos berendezéseket a használt elektromos hulladékokat gyűjtő központba szolgáltatassa be.



A HEINNER a **Network One Distribution SRL(KFT)** társaság által bejegyzett védjegy. A többi márkajelzés és a termékek megnevezése kereskedelmi vagy az illető birtoklók által bejegyzett márkanevek.

A műszaki leírások egyik része sem reprodukálható semmilyen formában és semmilyen módon, és nem használható fel fordításra, átváltoztatásra vagy alkalmazásra a NETWORK ONE DISTRIBUTION társaság előzetes beleegyezése nélkül.

Copyright © 2013 Network One Distribution. Minden jog fenntartva.

www.heinner.com, <http://www.nod.ro>

<http://www.heinner.com>, <http://www.nod.ro>



A terméket az Európai Közösség előírásainak és jogszabályainak megfelelően tervezték és gyártották.



Importator: **Network One Distribution**

Str. Marcel Iancu, nr. 3-5, București, România

Tel: +40 21 211 18 56, www.heinner.com, www.nod.ro