

CHEST FREEZER

Model:

HCF-HS420E++



- Total capacity: 420 L
- Energy class: E

HEINNER

1. INTRODUCTION

Please read the instructions carefully and keep the manual for future information.

This manual is designed to give all necessary instructions concerning installation, use and maintenance of the unit. In order to operate the unit correctly and safely, please read this instruction manual carefully before installation and use.

2. CONTENT OF YOUR PACKAGE

- ➔ **Chest freezer**
- ➔ **User manual**
- ➔ **Certificate of warranty**

3. SAFETY INFORMATION

For your safety and correct usage before installing and first using the appliance, read this user manual carefully, including its hints and warnings. To avoid unnecessary mistakes and accidents, it is important to make sure that all people using the appliance are thoroughly familiar with its operation and safety features. Save these instructions and be sure that they remain with the appliance if it is moved or sold, so that anyone using it throughout its life, will be properly informed on its usage and safety notices.

For the safety of life and property, keep the precautions of these user's instructions as the manufacturer is not, responsible for damages caused by omission.

Safety for children and others who are vulnerable people

According to EN standard

This appliance can be used by children aged from 8 years and above and persons with reduced physical, sensory or mental capabilities or lack of experience and knowledge if they have been given supervision or instruction concerning use of the appliance in a safe way and understand the hazards involved. Children shall not play with the appliance. Cleaning and user maintenance shall not be made by children without supervision.

According to IEC standard

This appliance is not intended for use by persons (including children) with reduced physical, sensory or mental capabilities, or lack of experience and knowledge, unless they have been given supervision or instruction concerning use of the appliance by a person responsible for their safety.

Keep all packaging away from children as there is risk of suffocation.

If you are discarding the appliance, pull the plug out of the socket, cut the connection cable (as close to the appliance as you can) and remove the door to prevent children playing from suffering an electric shock or from closing themselves inside it.

If this appliance, featuring a magnetic door seals, is to replace an older appliance having a spring lock (latch) on the door or lid, be sure to make the spring lock unusable before you discard the old appliance. This will prevent it from becoming a death trap for a child.

It is dangerous to alter the specifications or modify this product in any way.

Any damage to the cord may cause a short circuit, fire, and/or electric shock.

General safety

WARNING: This appliance is intended to be used in household and similar applications such as:

- staff kitchen areas in shops, offices and other working environments;
- farm houses and by clients in hotels, motels and other residential type environments;
- bed and breakfast type environments;
- catering and similar nonretail applications;

WARNING: Do not store explosive substances such as aerosol cans with a flammable propellant in this appliance.

WARNING: If the supply cord is damaged, it must be replaced by the manufacturer, its service agent or similarly qualified persons in order to avoid a hazard.

WARNING: Keep ventilation openings, in the appliance enclosure or in the built-in structure, clear of obstruction.

WARNING: Do not use mechanical devices or other means to accelerate the defrosting process, other than those recommended by the manufacturer.

WARNING: Do not damage the refrigerant circuit.

WARNING: Do not use electrical appliances inside the food storage compartments of the appliance, unless they are of the type recommended by the manufacturer.

WARNING: The refrigerant and insulation blowing gas are flammable. When disposing of the appliance, do so only at an authorized waste disposal centre. Do not expose to flame.

WARNING: When positioning the appliance, ensure the supply cord is not trapped or damaged.

WARNING: Do not locate multiple portable socket-outlets or portable power supplies at the rear of the appliance.

WARNING: Damaged supply cord must be replaced by an authorized service.

Replacing the LED light

WARNING: The LED light must not be replaced by the user! If the LED light is damaged, contact the authorised service center.

This warning is only for refrigerators that contain illuminating lamps (LED light).

Refrigerant

The refrigerant isobutene (R600a) is contained within the refrigerant circuit of the appliance, a natural gas with a high level of environmental compatibility, which is nevertheless flammable. During transportation and installation of the appliance, ensure that none of the components of the refrigerant circuit becomes damaged. The refrigerant (R600a) is flammable.

WARNING — Refrigerators contain refrigerant and gases in the insulation. Refrigerant and gases must be disposed of professionally as they may cause eye injuries or ignition. Ensure that tubing of the refrigerant circuit is not damaged prior to proper disposal.



Warning: Risk of fire/flammable materials

If the refrigerant circuit should be damaged:

- Avoid opening flames and sources of ignition.
- Thoroughly ventilate the room in which the appliance is situated. It is dangerous to alter the specifications or modify this product in any way. Any damage to the cord may cause a shortcircuit, fire, and/or electric shock.

Electrical safety

1. The power cord must not be lengthened.
2. Make sure that the power plug is not crushed or damaged. A crushed or damaged power plug may overheat and cause a fire.
3. Make sure that you can access the main plug of the appliance.
4. Do not pull the main cable.
5. If the power plug socket is loose, do not insert the power plug. There is a risk of electric shock or fire.
6. You must not operate the appliance without the interior lighting lamp cover.
7. The fridge is only applied with power supply of single phase alternating current of 220~240V/50Hz. If fluctuation of voltage in the district of user is so large that the voltage exceeds the above scope, for safety sake, be sure to apply A.C. Automatic voltage regulator of more than 350W to the fridge. The fridge must employ a special power socket instead of common one with other electric appliances. Its plug must match the socket with ground wire.

Daily use

Do not store flammable gas or liquids in the appliance, there is a risk of an explosion.

Do not operate any electrical appliances in the appliance (e.g. electric ice cream makers, mixers etc.).

When unplugging always pull the plug from the mains socket, do not pull on the cable.

Do not place hot items near the plastic components of this appliance.

Do not place food products directly against the air outlet on the rear wall.

Store pre-packed frozen food in accordance with the frozen food manufacturer's instructions.

The appliance manufacturer's storage recommendations should be strictly adhered to. Refer to relevant instructions for storage.

Do not place carbonated or fizzy drinks in the freeze compartment as it creates pressure on the container, which may cause it to explode, resulting in damage to the appliance.

Frozen food can cause frost burns if consumed straight from the freezer compartment.

Do not place the appliance in direct sunlight.

Keep burning candles, lamps and other items with naked flames away from the appliance so that do not set the appliance on fire.

The appliance is intended for keeping food stuff and/or beverages in normal household as explained in this instruction booklet. The appliance is heavy. Care should be taken when moving it.

Do not remove nor touch items from the freezer compartment if your hands are damp/wet, as this could cause skin abrasions or frost/freezer burns.

Never use the base, drawers, doors etc. to stand on or as supports.

Frozen food must not be refrozen once it has been thawed out.

Do not consume ice popsicles or ice cubes straight from the freezer as this can cause freezer burn to the mouth and lips.

To avoid items falling and causing injury or damage to the appliance, do not overload the door racks or put too much food in the crisper drawers.

Opening the door for long periods can cause a significant increase of the temperature in the compartments of the appliance.

Clean regularly surfaces that can come in contact with food and accessible drainage systems.

Store raw meat and fish in suitable containers in the refrigerator, so that it is not in contact with or drip onto other food.

If the refrigerating appliance is left empty for long periods, switch off, defrost, clean, dry, and leave the door open to prevent mould developing within the appliance.

Care and cleaning

Before maintenance, switch off the appliance and disconnect the mains plug from the mains socket.

Do not clean the appliance with metal objects, steam cleaner, ethereal oils, organic solvents or abrasive cleansers.

Do not use sharp objects to remove frost from the appliance. Use a plastic scraper.

Service

Any electrical work required to do the servicing of the appliance should be carried out by qualified electrician or competent person.

This product must be serviced by an authorized Service center and only genuine spare parts must be used.

4. SAFETY INFORMATION

For electrical connection carefully, follow the instructions given in this manual.

Unpack the appliance and check if there are damages on it.

Do not connect the appliance if it is damaged. Report possible damages immediately to the place you bought it. In this case retain packing.

It is advisable to wait at least four hours before connecting the appliance to allow the oil to flow back in the compressor.

Adequate air circulation should be around the appliance, lacking this leads to overheating. To achieve sufficient ventilation, follow the instructions relevant to installation.

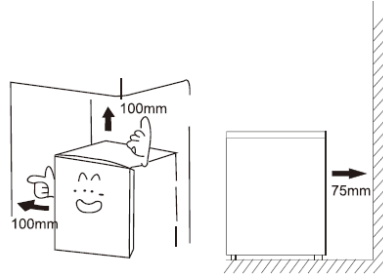
Wherever possible the back of the product should not be too close to a wall to avoid touching or catching warm parts (compressor, condenser) to prevent the risk of a fire, follow the instructions relevant to installation.

The appliance must not be located close to radiators or cookers.

Make sure that the mains plug is accessible after the installation of the appliance.

This refrigerating appliance is not intended to be used as a built-in appliance.

Important! It is necessary to have good ventilation around the freezer to allow for the dissipation of heat, high efficiency, and low power consumption. For this reason, sufficiently cleared space should be available around the freezer. It is advisable for there to be 75 mm separating the back of the freezer to the wall and at least 100mm of space on its two sides, a height of over 100 mm from its top.



Appliances must not be exposed to rain. Sufficient air must be allowed to circulate in the lower rear section of the appliance, as poor air circulation can affect performance. Built-in appliances should be positioned away from heat sources such as heaters and direct sunlight.

Install this appliance at a location where the ambient temperature corresponds to the climate class indicated on the rating plate of the appliance:

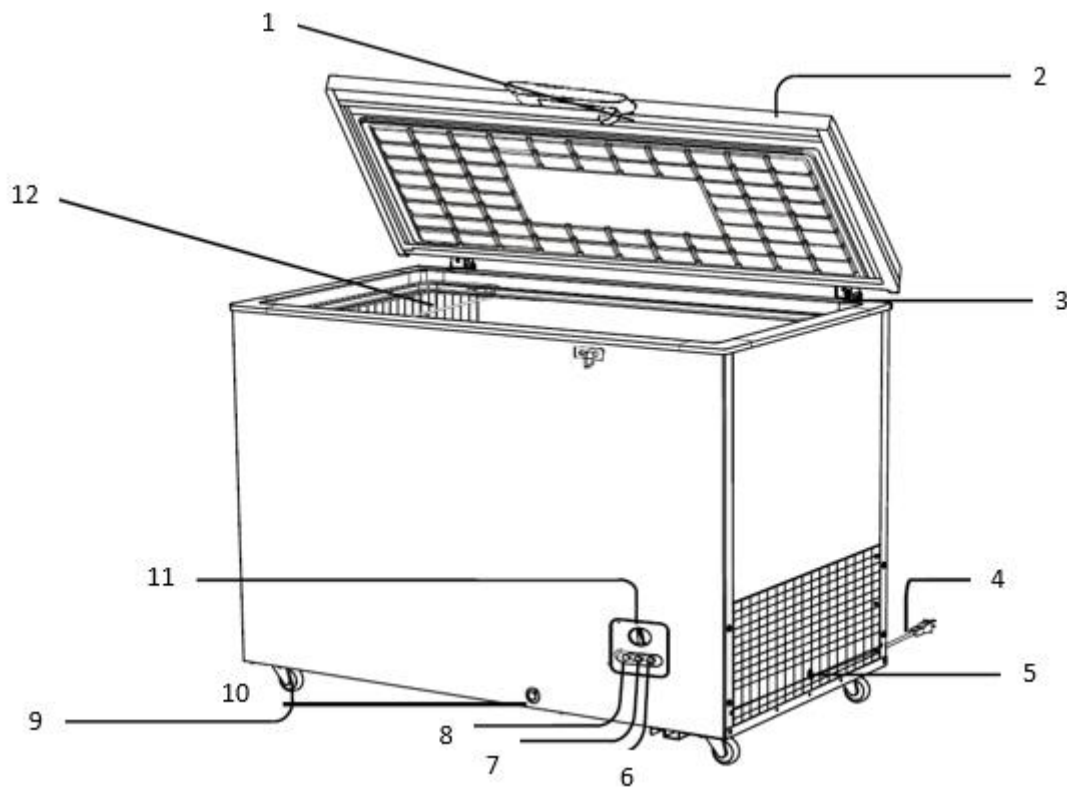
For refrigerating appliances with climate class:

- extended temperate: this refrigerating appliance is intended to be used at ambient temperatures ranging from 10 °C to 32 °C (SN);
- temperate: this refrigerating appliance is intended to be used at ambient temperatures ranging from 16 °C to 32 °C (N);
- subtropical: this refrigerating appliance is intended to be used at ambient temperatures ranging from 16 °C to 38 °C (ST);
- tropical: this refrigerating appliance is intended to be used at ambient temperatures ranging from 16 °C to 43 °C (T);

Leveling

The appliance should be level in order to eliminate vibration. To make the appliance level, it should be upright and both adjusters should be in stable contact with the floor. You can also adjust the level by unscrewing the appropriate level adjustment in the front (use your fingers or a suitable spanner).

5. PRODUCT DESCRIPTION



1. Door handle	7. Alarm indicator
2. Door	8. Running indicator
3. Hinge	9. Wheel
4. Power supply cord	10. Drain
5. Side cover	11. Temperature control knob
6. Power indicator	12. Basket

To get the best energy efficiency of this product, please place all shelves, drawers on their original position as the illustration.

Never touch the interior of the freezer chamber or frozen foods in the compartment with wet hands as this could result in frostbite.

The above image is for reference only, configuration is subject to the actual product. s

6. HOW TO USE

Before use

Remove shipping package, tape etc. and leave doors open for a while in order to ventilate the appliance. The unit is cleaned before shipment. However, it is recommended to clean the compartment interior once after delivery.

Please insert power supply plug into the wall outlet, type "grounded single-phase 220-240V".

Allow the unit to operate for about 1 hour to cool the compartment before placing items into the appliance.

Wait 5 minutes or more before re-starting

Restarting the unit immediately after it has been turned off may cause fuses to blow and activate the circuit-breaker, the compressor may become overloaded and/or another damage may occur.

Efficient use

Please follow the instructions below in order to save energy consumption:

- To prevent cold air escaping from the appliance open and close the door quickly and keep the door opened for as short time period as possible.
- Please install the unit in a well-ventilated location.
- Do not use the unit to store water or food that requires water as a storage medium. Never place fresh seafood containing water directly into the unit.
- All accessories, such as drawers, shelves, door balconies should be kept in original place for lower energy consumption.

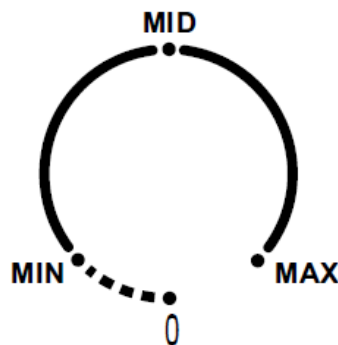
Checks

To ensure the safety, perform the following checks after cleaning the unit:

- Is the power cord plug firmly inserted into a dedicated wall outlet? Confirm that the plug is not abnormally hot.
- Check the power cord for cracks and damage, should the slightest irregularity be observed, contact the dealer from whom you purchased the unit or the authorized service.

Control panel

- To adjust the temperature inside the freezer compartment, adjust the temperature control dial on front-bottom side of the chest freezer. Normally use chest freezer with temperature MID.
- If the cooling performance is inadequate, turn the temperature control dial in the direction of MAX. If it is too cold, turn the dial in the direction of MIN.
- When you need the unit to stop running temporarily, please turn the temperature control dial in the direction of 0.



Note: High temperature setting will accelerate food waste.

Appliance description

Installation: Any electrical work that is required to install this appliance **MUST** be carried out by a qualified electrician.

Warning: THIS APPLIANCE MUST BE GROUNDED!

Before making any electrical connections, ensure the following:

- Electrical connection.
- Electrical safety is only guaranteed when the grounding system of your house is in accordance with the related local regulations.

- Do not damage the refrigerant circuit.
- Do not bend, stretch or pull the supply cable to avoid electric shock.
- Do not use electrical appliances inside the food storage compartments of the appliance, unless they are of the type recommended by the manufacturer.
- Ensure the power socket is suitable for the maximum power of the machine (fuses in the power circuit must be 13 amp).
- The supply voltage should be the same as that indicated in the technical specifications and the appliance rating plate.
- The appliance should be grounded and in compliance with the applicable laws.
- When installed, the power socket must be within easy reach.
- If the socket outlets in your home are not suitable for the plug supplied with this unit check with a qualified electrician for replacement.
- The use of adapters, multiple connectors or extension cables is not recommended.

7. STORAGE THE FOOD

Children aged from 3 to 8 years are allowed to load and unload refrigerating appliances. (This clause applies only to the EU region.)

When refrigerating food, please be careful not to contact the surface of the inner box directly.

Two-star frozen-food compartments are suitable for storing pre-frozen food, storing or making ice cream and making ice cubes.

One-, two- and three-star compartments are not suitable for the freezing of fresh food.

When frozen food, in order to prevent moisture loss, prevent the odor, should separate the different food sealed storage, and can only use non-toxic, tasteless, impermeable, waterproof sealing material.

Hot food should be cooled to room temperature first, then put into the freezer, otherwise it will affect the storage status of other foods and increase the power consumption.

Order	Compartments TYPE	Target storage temp.[°C]	Appropriate food
1	Fridge	+2~+6	Eggs, cooked food, packaged food, fruits and vegetables, dairy products, cakes, drinks and other foods are not suitable for freezing.
2	(***)*-Freezer	≤-18	Seafood (fish, shrimp, shellfish), freshwater aquatic products and meat products (recommended for 3 months, the longer the storage time, the worse the taste and nutrition), suitable for frozen fresh food.
3	***-Freezer	≤-18	Seafood (fish, shrimp, shellfish), freshwater aquatic products and meat products (recommended for 3 months, the longer the storage time, the worse the taste and nutrition), are not suitable for frozen fresh food.
4	** -Freezer	≤-12	Seafood (fish, shrimp, shellfish), freshwater aquatic products and meat products (recommended for 2 months, the longer the storage time, the worse the taste and nutrition), are not suitable for frozen fresh food.

5	*-Freezer	≤ -6	Seafood (fish, shrimp, shellfish), freshwater aquatic products and meat products (recommended for 1 months, the longer the storage time, the worse the taste and nutrition), are not suitable for frozen fresh food.
---	-----------	-----------	--

8. CLEANING AND DEFROSTING

To prevent any electrical shock hazards or injury by the rotating circulation fan, disconnect the power cord plug from the wall outlet before cleaning.

Cleaning before use

Before using the appliance for the first time, wash the interior and all internal accessories with lukewarm water and some neutral soap so as to remove the typical smell of a brand new product, then dry thoroughly.

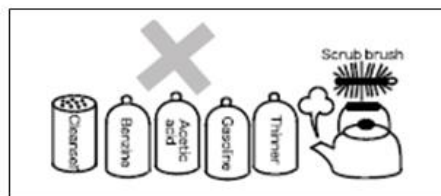
Exterior

Wipe with a soft, dry cloth. If very soiled, wipe with a cloth that has been moistened with detergent, then wipe with a cloth that has been dipped in clean water.

Warning:

Do not splash water directly onto the appliance and do not wash with water. A short-circuit and/or electrical shock could be caused.

- Clean the cooler regularly to keep it clean at all times.
- Never use polishing powder, soda powder, benzene, oil or hot water as these will damage the painting and plastic components.
- Keep ventilation openings in the appliance enclosure or in the built-in structure, clear of obstructions.
- Open the door and wipe clean with a dry cloth.



Defrosting

You should defrost the freezer compartment two or three times a year when the ice is about 4 mm thick. To defrost, follow these steps:

- Switch off the freezer compartment by removing the plug from the main power supply.
- Remove all food from the freezer and wrap them in paper and store them in a cold place and leave the door open.
- When the defrosting is finished, the compartment must be cleaned and wiped dry.
- After a few hours the thermostat can be set back to the original position.

Warning! Do not use mechanical devices or other artificial means to accelerate the defrosting process, other than those recommended by the manufacturer.

Warning! Do not use electrical appliances inside the food storage compartment of the appliances, unless they are the type recommended by the manufacturer.

9. TROUBLESHOOTING

Warning! Before trouble-shooting disconnect the power supply. Only a qualified electrician or other person must carry out the trouble-shooting that is not in the manual.


Important! Repairs to the appliance may only be performed by competent service engineers. Improper repairs can give rise to significant hazards for the user. If your appliance needs repairing, please contact your specialist dealer or your local Customer Service Center.

Power failure	Keep the opening and closing of the door for a minimum time to prevent cold air from escaping.
	Avoid placing new items in the cooler as this will raise the temperature inside the compartment
	In case of a long power suspension, place dry ice in the freezer
Power cord problems	If the supply cord is damaged. It must be replaced by a special cord or assembly available from the manufacturer or the service agent.
	The showcase must be positioned so that the plug is accessible to the wall outlet
When not used for a long period	Remove all items from the compartment and disconnect the power cord plug from the wall outlet.
	Clean the compartment interior and wipe away all water.
	To prevent mold formation and foul odors, leave the door open to dry the compartment completely.
Transportation	Disconnect the power cord plug from the wall outlet.
	When moving the appliance, make sure that the feet do not damage the power cord
	Do not let the feet hit against floor steps, thresholds, etc
Temporary storage	Put piece of wood or other similar item between the door and main unit to prevent complete closing of the door
	Be sure not to store the unused chest freezer in a location where children play
	Should a child enter the compartment and the door is closed, the child may not be able to open the door from the inside

Please check the following if you encounter problems with the unit. If the problem continues after taking the proper remedial actions, disconnect the power cord plug from the wall outlet.

Transfer the items stored in the cooler to a box or other container. Then contact the dealer from whom you purchased this unit and be ready to provide information as listed in the "REQUIRED INFORMATION" below. To prevent any electrical shock hazards, do not disconnect the power cord plug from the wall outlet with wet hands.

No refrigeration at all	Is the power supply interrupted?
-------------------------	----------------------------------

	Is the power cord plug disconnected from the wall outlet?
	Are the shop's power fuses blown and/or the circuit breaker activated?
Inadequate refrigeration	Is the place of installation ventilated?
	Is the freezer exposed to direct sunlight, placed near a heater or stove?
	Are the lids opened and closed frequently?
	Are items stocked beyond the load line?
	Is a lot of frost forming in the freezer compartment?
Excessive noise	Is the floor underneath the freezer sturdy enough?
	Is the unit shaking and/or rattling?
	Is the rear panel of the unit in contact with a wall, etc .?
	Is there a container or something behind the freezer? The compressor will generate a rather loud sound for a while after operation is started. The noise will cease together with refrigeration.
Condensation on cooler exterior	Condensation may condense on the exterior of the unit and the door during hot and humid days or depending on the place of installation. This occurs when the humidity is high and water particles in the cold surfaces. This is normal. Wipe away condensation with a dry cloth.
The circumference of chest freezer feels hot	Especially in summer or in the period of starting running, the circumference of the chest freezer feels hot because the Chest freezer inside has a pipe for radiating and preventing condensation. The heat does not affect inside goods. 

CUSTOMER CARE AND SERVICE

Always use original spare parts.

When contacting our Authorised Service Centre, ensure that you have the following data available: Model and Serial Number.

The information can be found on the rating plate. Subject to change without notice.

TECHNICAL DATA

The technical information is situated in the rating plate on the internal side of the appliance and on the energy label.

The QR code on the energy label supplied with the appliance provides a web link to the information related to the performance of the appliance in the EU EPREL database.

Keep the energy label for reference together with the user manual and all other documents provided with this appliance.

It is also possible to find the same information in EPREL using the link <https://eprel.ec.europa.eu> and the model name and product number that you find on the rating plate of the appliance.

To access information about your product in the EPREL portal, you can scan the codes below:



Thank you for purchasing this product. If you need support with your product, visit our website using the links below.

Get User manuals: <https://www.heinner.ro>

Get Service information: <https://www.heinner.ro>



Environment friendly disposal

You can help protect the environment!

Please remember to respect the local regulations: hand in the non-working electrical equipment's to an appropriate waste disposal center.



HEINNER is a registered trademark of **Network One Distribution SRL**. Other brands and product names are trademarks or registered trademarks of their respective holders.

No part of the specifications may be reproduced in any form or by any means or used to make any derivative such as translation, transformation, or adaptation without permission from NETWORK ONE DISTRIBUTION.

Copyright © 2013 Network One Distribution. All rights reserved.

www.heinner.com, <http://www.nod.ro>



This product is in conformity with norms and standards of European Community



Importer: **Network One Distribution**

Marcel Iancu Street, 3-5, Bucharest, Romania

Tel: +40 21 211 18 56, www.heinner.com , www.nod.ro

LADĂ FRIGORIFICĂ

Model:

HCF-HS420E++



- Capacitate totală: 420 L
- Clasa de eficiență energetică: E

HEINNER

1. INTRODUCERE

Vă rugăm să citiți instrucțiunile cu atenție și să păstrați manualul pentru consultări ulterioare. Acest manual are scopul de a vă oferi toate instrucțiunile necesare cu privire la instalarea, utilizarea și întreținerea aparatului. Pentru utilizarea corectă și în siguranță a aparatului, vă rugăm să citiți cu atenție acest manual de instrucțiuni înainte de instalare și utilizare.

2. CONȚINUTUL PACHETULUI DUMNEAVOASTRĂ

- ➔ **Ladă frigorifică**
- ➔ **Manual de utilizare**
- ➔ **Certificat de garanție**

3. INFORMAȚII PRIVIND SIGURANȚA

Pentru siguranța dumneavoastră și o utilizare corectă, înainte de a instala și a folosi aparatul pentru prima dată, citiți cu atenție acest manual de instrucțiuni, inclusiv sugestiile și avertismentele. Pentru a evita erorile și accidentele, este important să vă asigurați că toate persoanele care utilizează aparatul sunt familiarizate cu modul de funcționare și cu măsurile de siguranță. Păstrați aceste instrucțiuni și asigurați-vă că vor rămâne împreună cu aparatul dacă acesta este mutat sau vândut, astfel încât orice persoană care îl folosește pe durata de exploatare a acestuia să fie bine informată în legătură cu utilizarea sa și cu măsurile de siguranță.

Pentru garantarea siguranței persoanelor și a bunurilor, respectați măsurile de precauție specificate în cadrul prezentului manual de instrucțiuni, deoarece producătorul nu este răspunzător pentru daunele cauzate prin omisiune.

Siguranța copiilor și a altor persoane vulnerabile

Conform standardului EN

Aparatul poate fi utilizat de către copii cu vârste începând de la 8 ani și de către persoane cu capacități fizice, senzoriale sau mentale reduse, cu lipsă de experiență sau cunoștințe, numai dacă acestea sunt supravegheate sau instruite în ceea ce privește utilizarea în siguranță a aparatului și dacă înțeleg pericolele pe care le implică utilizarea. Copiii nu au voie să se joace cu aparatul. Curățarea și întreținerea nu trebuie efectuate de către copii nesupravegheați.

Conform standardului IEC

Aparatul nu este destinat utilizării de către persoane (inclusiv copii) care au capacități fizice, senzoriale sau mentale reduse, sau cărora le lipsesc experiența și cunoștințele necesare, decât dacă sunt supravegheate sau au fost instruite cu privire la utilizarea aparatului de către o persoană care răspunde pentru siguranța acestora.

Nu lăsați ambalajele la îndemâna copiilor. Pericol de asfixiere.

Pentru a evita situațiile în care copiii se pot electrocuta sau închide în interiorul aparatului, înainte de a-l arunca, scoateți ștecărul din priză, tăiați cablul de alimentare (cât mai aproape de aparat posibil) și demontați ușa aparatului.

Dacă acest aparat (care este prevăzut cu un sistem de închidere magnetic) înlocuiește un aparat mai vechi, prevăzut cu închizătoare cu arc (zăvor) pe ușă sau pe capac, înainte de a arunca aparatul vechi, asigurați-vă că închizătoarea cu arc nu mai poate fi folosită. Astfel, copiii nu vor putea rămâne blocați înăuntru.

Modificarea în orice fel a specificațiilor sau a produsului este periculoasă.

Orice deteriorare a cablului de alimentare poate genera pericol de scurtcircuitare, incendiu și/sau electrocutare.

Măsurile generale de siguranță

AVERTISMENT: Acest aparat este destinat utilizării în locuințe și alte unități similare:

- bucătăriile personalului din magazine, birouri și alte medii de lucru;
- în gospodării și de către clienții din hoteluri, moteluri și alte medii de tip rezidențial;
- medii de tip pensiune cu mic dejun;
- activități de tip catering și non-retail.

AVERTISMENT: Nu depozitați în acest aparat produse explozive precum spray-urile cu aerosoli inflamabili.

AVERTISMENT: Pentru evitarea pericolelor, în cazul în care cablul de alimentare este deteriorat, acesta trebuie înlocuit de către producător, de către agentul său de service sau de persoane cu o calificare similară.

AVERTISMENT: Asigurați-vă că orificiile de ventilație ale carcasei aparatului sau ale corpului acestuia nu sunt obturate.

AVERTISMENT: Utilizați numai dispozitive mecanice sau mijloace de grăbire a procesului de dezghețare recomandate de către producător.

AVERTISMENT: Nu deteriorați circuitul de refrigerare.

AVERTISMENT: Nu folosiți aparate electrice în interiorul compartimentelor de depozitare a alimentelor din acest aparat, decât dacă acestea sunt de tipul celor recomandate de către producător.

AVERTISMENT: Agentul frigorific și gazul izolan sunt inflamabile. Dacă doriți să aruncați aparatul, apălați la un centru autorizat de eliminare a deșeurilor. Nu expuneți aparatul la foc.

AVERTISMENT: Atunci când poziționați aparatul, asigurați-vă că nu striviți și nu deteriorați cablul de alimentare.

AVERTISMENT: Nu amplasați în spatele aparatului prize multiple sau surse de alimentare portabile.

AVERTISMENT: Cablul de alimentare deteriorat trebuie înlocuit de un service autorizat.

Înlocuirea becurilor

AVERTISMENT: Lumina LED nu trebuie înlocuită de către utilizator! În cazul în care lumina LED este deteriorată, contactați centrul de service autorizat.

Acest avertisment este valabil numai pentru frigiderule prevăzute cu lămpi de iluminare (lumină LED).

Agentul frigorific

Circuitul de refrigerare al aparatului conține agent frigorific R600a (izobutan), un gaz natural cu un nivel ridicat de compatibilitate cu mediul înconjurător, dar inflamabil. În timpul transportului și al montării aparatului, asigurați-vă că niciuna dintre componentele circuitului de refrigerare nu este deteriorată. Agentul frigorific (R600a) este inflamabil.

AVERTISMENT: Frigiderule conțin agent frigorific și gaze izolante. Agentul frigorific și gazele trebuie să fie eliminate în mod corespunzător, deoarece acestea pot provoca leziuni oculare sau se pot aprinde. Înainte de eliminare, asigurați-vă că tubulatura circuitului de refrigerare nu este deteriorată.



Avertisment: Pericol de incendiu/materiale inflamabile

În cazul în care circuitul de refrigerare este deteriorat:

- Evitați utilizarea focului deschis și sursele de aprindere a focului.
- Aerisiți bine camera în care se află aparatul. Modificarea în orice fel a specificațiilor sau a produsului este periculoasă.

Siguranța electrică

1. Nu prelungiți cablul de alimentare.
2. Asigurați-vă că ștecărul nu a fost strivit sau deteriorat. În cazul în care cablul de alimentare este strivit sau deteriorat, acesta se poate supraîncălzi și poate provoca un incendiu.
3. Asigurați-vă că aveți acces la ștecărul aparatului.
4. Nu trageți de cablul de alimentare.
5. Dacă priza în care trebuie introdus ștecărul este desprinsă, nu introduceți ștecărul în ea. Există riscul de electrocutare și de incendiu.
6. Nu utilizați aparatul fără capacul lămpii de iluminare din interior.

7. Aparatul nu poate fi alimentat decât de la un circuit electric de curent alternativ monofazat, de 220~240V/50Hz. Dacă variațiile de tensiune din zona în care locuiește utilizatorul nu se încadrează în limitele domeniului de tensiune de mai sus, pentru siguranță, utilizați un regulator de tensiune automat AC cu o putere mai mare de 350 W. Aparatul trebuie alimentat de la o priză separată, nu de la o priză la care sunt conectate și alte aparate electrice. Ștecărul trebuie să fie compatibil cu priza cu împământare.

Utilizare cotidiană

Nu depozitați gaze sau lichide inflamabile în aparat. Există riscul producerii unei explozii.

Nu utilizați dispozitive electrice în interiorul aparatului (ex.: aparate electrice de făcut înghețată, mixere etc.). Atunci când deconectați aparatul de la sursa de alimentare, scoateți ștecărul din priză fără a trage de cablu.

Nu așezați obiecte fierbinți lângă componentele din plastic ale aparatului.

Nu așezați alimente imediat lângă orificiul de evacuare a aerului situat pe peretele posterior din interiorul aparatului.

Depozitați alimentele congelate preambalate în conformitate cu instrucțiunile producătorului alimentelor congelate.

Respectați cu strictețe recomandările producătorului acestui aparat privind depozitarea. Consultați instrucțiunile referitoare la depozitare.

Nu depozitați băuturi carbogazoase sau acidulate în compartimentul de congelare, deoarece se creează presiune în recipiente, acestea putând exploda, având drept rezultat deteriorarea aparatului.

Alimentele înghețate pot cauza degerături dacă sunt consumate direct din congelator.

Nu expuneți aparatul la lumina directă a soarelui.

Țineți lămpile, lumânările aprinse și alte obiecte cu flacără deschisă cât mai departe de aparat, astfel încât acesta să nu ia foc.

Aparatul este destinat depozitării alimentelor și/sau băuturilor într-o gospodărie obișnuită, așa cum a este specificat în prezentul manual de instrucțiuni. Acest aparat este greu. Mutați-l cu grijă.

Nu scoateți și nu atingeți obiecte din congelator dacă aveți mâinile umede/ude, deoarece vă puteți provoca leziuni ale pielii sau degerături.

Nu folosiți niciodată baza, sertarele, ușile etc. pentru a vă urca pe ele sau ca suporturi.

Nu congelați din nou alimentele care s-au dezghețat.

Nu consumați înghețată sau cuburi de gheață direct din congelator, deoarece acestea pot provoca leziuni ale gurii și buzelor.

Pentru a evita căderea obiectelor și provocarea vătămărilor corporale sau a deteriorării aparatului, nu supraîncărcați rafturile de pe ușă și nu puneți prea multe alimente în sertarul pentru legume și fructe.

Dacă ușa aparatului este lăsată deschisă pe perioade lungi, temperatura din compartimentele aparatului crește semnificativ.

Curățați periodic suprafețele care pot intra în contact cu alimentele, precum și sistemele de scurgere ale aparatului.

Păstrați carnea crudă și peștele proaspăt în recipiente corespunzătoare, astfel încât acestea să nu intre în contact cu alte alimente.

Dacă aparatul frigorific este lăsat gol pe perioade lungi, opriți-l, decongelați-l, curățați-l, ștergeți-l bine și lăsați-i ușa deschisă pentru a preveni formarea mușgaiului în interiorul acestuia.

Curățare și întreținere

Înainte de efectuarea operațiilor de întreținere, opriți aparatul și scoateți ștecărul din priză.

Nu curățați aparatul cu obiecte din metal, aparate de curățat cu aburi, uleiuri eterice, solvenți organici sau substanțe abrazive.

Nu folosiți obiecte ascuțite pentru a îndepărta gheața din aparat.

Folosiți o racletă din plastic.

Reparații

Lucrările electrice necesare în vederea reparării aparatului trebuie efectuate de către un electrician calificat sau de către personal specializat.

Produsul trebuie reparat în cadrul unui centru de reparații autorizat, folosindu-se numai piese de schimb originale.

4. INSTALARE

Pentru conectarea aparatului la sursa de alimentare cu energie electrică, urmați cu atenție instrucțiunile din cadrul prezentului manual.

Despachetați aparatul și verificați dacă este deteriorat.

Dacă aparatul prezintă deteriorări, nu îl conectați la sursa de alimentare. Dacă aparatul este deteriorat, comunicați imediat acest lucru distribuitorului de la care l-ați cumpărat. În acest caz, păstrați ambalajul.

Vă recomandăm să așteptați cel puțin patru ore înainte de a conecta aparatul la sursa de alimentare, pentru ca uleiul să aibă timp să revină în compresor.

Aerul trebuie să poată circula liber în jurul aparatului. În lipsa circulației aerului, aparatul se poate supraîncălzi. Pentru a obține o ventilație adecvată, respectați instrucțiunile referitoare la montare.

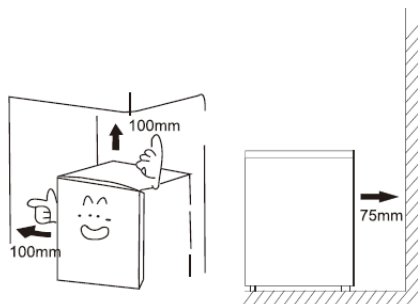
Partea din spate a produsului nu trebuie să fie prea aproape de perete, pentru a evita atingerea sau prinderea componentelor calde (compresor, condensator). Pentru prevenirea riscului de producere a unui incendiu, urmați instrucțiunile cu privire la instalare.

Nu amplasați aparatul în apropierea radiatoarelor sau a aragazelor.

Asigurați-vă că aveți acces la ștecăr după montarea aparatului.

Acest aparat frigorific nu este destinat utilizării ca aparat încorporat.

Important! Este necesar să aveți o aerisire bună în jurul aparatului pentru a permite imprastierea caldurii, eficiența ridicată și consumul mic de curent electric. Pentru ca acest lucru să fie posibil, trebuie să existe suficient spațiu în jurul frigiderului. Este recomandat să existe un spațiu liber de 75mm de la spatele frigiderului până la perete, de cel puțin 100mm în cele două părți laterale și de peste 100mm în partea superioară.



Aparatele nu trebuie expuse ploii. Suficient aer trebuie să poată circula în secțiunea inferioară spate a aparatului, deoarece proasta circulație a aerului poate afecta performanța. Aparatele trebuie poziționate departe de sursele de căldură cum ar fi încălzitoarele și lumina directă a soarelui.

Instalați acest aparat într-un loc în care temperatura ambiantă corespunde clasei climatice indicate pe plăcuța cu informații tehnice a aparatului.

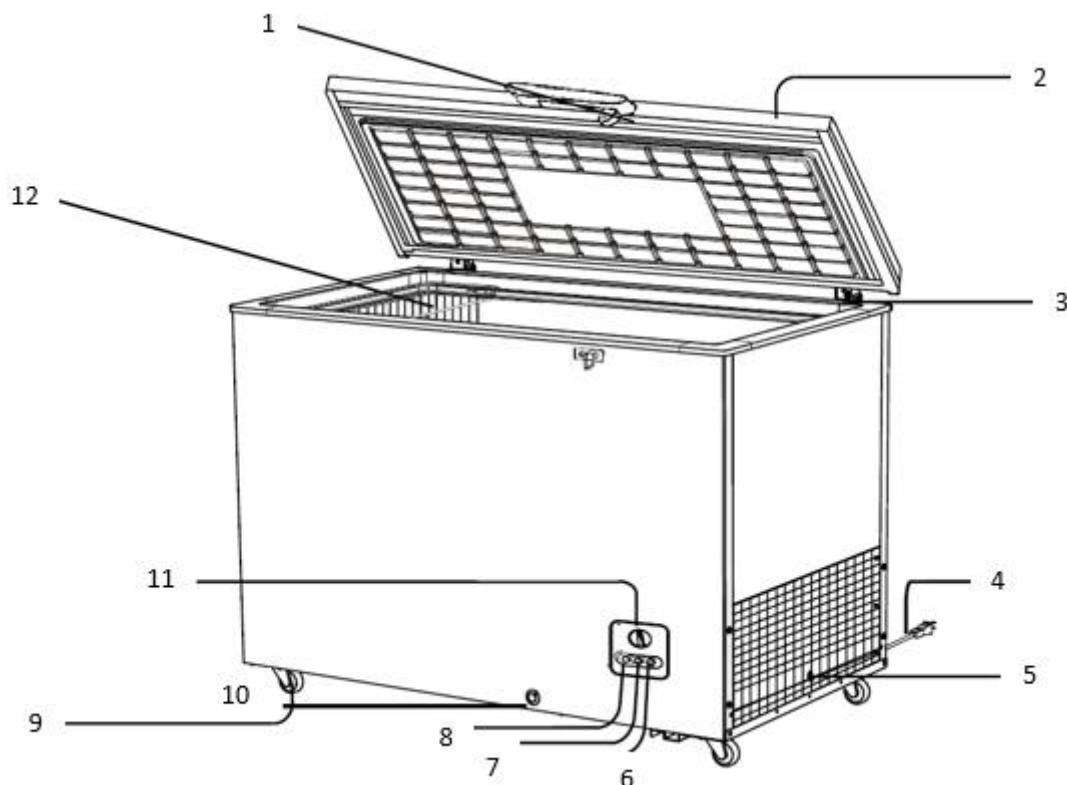
Pentru aparatele frigorifice cu clasă climatică:

- temperată extinsă: acest aparat frigorific este destinat a fi utilizat la temperaturi ambiante cuprinse între 10 °C și 32 °C (SN);
- temperată: acest aparat frigorific este destinat a fi utilizat la temperaturi ambiante cuprinse între 16 °C și 32 °C (N);
- subtropicală: acest aparat frigorific este destinat a fi utilizat la temperaturi ambiante cuprinse între 16 °C și 38 °C (ST);
- tropicală: acest aparat frigorific este destinat a fi utilizat la temperaturi ambiante cuprinse între 16 °C și 43 °C (T);

Nivelare

Acest aparat ar trebui să fie poziționat pe o suprafață de același nivel pentru a elimina vibrațiile. Pentru a nivela aparatul, acesta ar trebui să stea vertical și amândouă dispozitivele de reglare să fie complet în contact cu podeaua. Puteți de asemenea regla nivelul prin desurubarea la nivelul potrivit a dispozitivului de reglare din față (cu degetele sau cu o cheie potrivită).

5. DESCRIEREA PRODUSULUI



1. Mâner ușă	7. Indicator alarmă
2. Ușă	8. Indicator funcționare
3. Balama	9. Roată
4. Cablu de alimentare	10. Orificiu de scurgere
5. Capac lateral	11. Buton pentru reglarea temperaturii
6. Indicator alimentare	12. Coș

Pentru ca acest produs să fie cât mai eficient energetic, vă rugăm să amplasați rafturile și sertarele în pozițiile indicate în ilustrația de mai sus.

Nu atingeți niciodată cu mâinile ude interiorul compartimentului congelatorului sau alimentele înghetate din compartiment deoarece aceasta poate duce la degerături.

Imaginea de mai sus este doar de referință; configurarea este în funcție de produs.

6. UTILIZAREA PRODUSULUI

Înainte de utilizare

Îndepărtați ambalajul de livrare, banda adezivă etc. și lăsați ușile deschise o perioadă, pentru a aerisi aparatul. Aparatul a fost curățat înainte de livrare. Totuși, vă recomandăm să curățați o dată interiorul compartimentelor, după livrare.

Introduceți stecarul cablului de alimentare în prize, cu împământare de 220-240V.

Lasă aparatul să funcționeze aproximativ 1 oră, ca să răcească compartimentul, înainte de a introduce alimente în aparat.

Așteptați 5 minute sau mai mult înainte de repornire

Repornirea imediată a aparatului după ce a fost oprit poate duce la arderea siguranței și la activarea întrerupătorului se poate supraîncărcă, și/sau pot surveni alte daune.

Utilizare eficientă

Respectați instrucțiunile următoare, pentru a reduce consumul de energie electrică.

- Pentru a preveni ieșirea aerului rece din congelator, închideți ușa repede și țineți ușa deschisă cât mai puțin timp posibil.
- Amplasați aparatul într-un loc bine ventilat.
- Pentru un consum redus de energie, toate accesoriile, cum ar fi rafturile, sertarele și rafturile de pe uși trebuie menținute în pozițiile care au fost prevăzute pentru acestea.

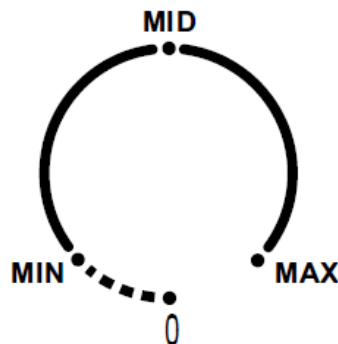
Verificări

Pentru siguranță, efectuați următoarele verificări, după curățarea aparatului:

- Stecarul cablului de alimentare este introdus corespunzător în priză? Asigurați-vă că stecarul nu este anormal de cald.
- Verificați cablul de alimentare să nu aibă crăpături sau alte deteriori. Dacă observați cea mai mică neregulă, contactați distribuitorul de la care ați achiziționat acest aparat sau departamentul de relații cu clienți.

Panou de comandă

- Pentru a ajusta temperatura în interiorul compartimentului congelator, rotiți butonul de reglare a temperaturii aflat în partea inferioară a părții din față a lăzii. Utilizarea normală este la temperatura MID.
- Dacă performanța de răcire nu este adecvată, rotiți butonul de reglare al temperaturii în direcția MAX. Dacă este prea rece, întoarceți butonul în direcția MIN.
- Atunci când doriți să opriți temporar aparatul, vă rugăm să întoarceți butonul de reglare a temperaturii în direcția 0.



Notă: Setarea unei temperaturi ridicate va accelera risipa alimentelor.

Descrierea aparatului

Instalarea: Orice lucrare electrică necesară în vederea instalării acestui aparat trebuie executată de către un electrician calificat.

Avertisment: ACEST APARAT TREBUIE SĂ FIE CONECTAT LA ÎMPĂMÂNTARE.

Înainte de a efectua orice conexiuni electrice, asigurați următoarele:

- Conectarea la rețeaua electrică.
- Siguranța electrică este garantată numai atunci când sistemul de împământare al locuinței dumneavoastră este în conformitate cu reglementările locale aplicabile.

- Nu deteriorați circuitul de refrigerare.
- Pentru a evita pericolul de electrocutare, nu îndoiți, nu întindeți cablul de alimentare și nu trageți de acesta.
- Nu folosiți aparate electrice în interiorul compartimentelor de depozitare a alimentelor din acest aparat, decât dacă acestea sunt de tipul celor recomandate de către producător.
- Asigurați-vă că priza este potrivită pentru puterea maximă a aparatului (siguranțele circuitului de alimentare trebuie să fie de 13 amperi).
- Tensiunea de alimentare trebuie să corespundă celei indicate în specificațiile tehnice și pe plăcuța cu date tehnice a aparatului.
- Aparatul trebuie să fie conectat la împământare în conformitate cu legislația în vigoare.
- Priza de curent trebuie să fie ușor accesibilă.
- Dacă prizele din locuința dumneavoastră nu sunt potrivite pentru ștecărul cu care este prevăzut acest aparat, contactați un electrician calificat în vederea înlocuirii ștecărului.
- Nu este recomandată utilizarea adaptoarelor de alimentare, a prizelor multiple sau a cablurilor prelungitoare.

7. DEPOZITAREA ALIMENTELOR

Copiii cu vârste începând de la 3 ani le este permis să introducă și să scoată alimente din aparatele frigorifice (această prevedere este aplicabilă numai pentru statele din Uniunea Europeană).

Atunci când congelați alimente, asigurați-vă că acestea nu ating suprafețele interioare ale compartimentului de congelare.

Compartimentele de congelare cu două stele sunt potrivite pentru păstrarea alimentelor precongelate, păstrarea sau prepararea înghețatei și producerea cuburilor de gheață.

Compartimentele cu una, două și trei stele nu sunt potrivite pentru congelarea alimentelor proaspete.

Atunci când congelați alimente, pentru prevenirea uscării acestora și a răspândirii mirosurilor, depozitați-le în recipiente sau pungi etanșe, fabricate din materiale insipide, impermeabile și netoxice.

Alimentele fierbinți trebuie lăsate să se răcească la temperatura camerei, apoi introduse în compartimentul de congelare. În caz contrar, acestea vor afecta starea celorlalte alimente și vor duce la creșterea consumului de energie electrică.

Nr. de ordine	Tipul compartimentului	Temperatură de depozitare recomandată [°C]	Alimente
1	Refrigerare	+2~+6	Ouăle, alimentele gătitе, alimentele ambalate, fructele și legumele, lactatele, prăjiturile și băuturile nu sunt potrivite pentru congelare.
2	(***)*-Congelare	≤-18	Fructele de mare (peștele, creveții, crustaceele), produsele acvatice și cele din carne sunt potrivite pentru congelare (se recomandă depozitarea acestora timp de 3 luni; cu cât durata de depozitare este mai mare, cu atât gustul și proprietățile nutritive se pierd).
3	***-Congelare	≤-18	Fructele de mare (peștele, creveții, crustaceele), produsele acvatice și cele din carne nu sunt potrivite pentru congelare (se recomandă depozitarea acestora timp de 3 luni; cu cât durata de depozitare este mai mare, cu atât gustul și proprietățile nutritive se pierd).

4	** - Congelare	≤-12	Fructele de mare (peștele, creveții, crustaceele), produsele acvatice și cele din carne nu sunt potrivite pentru congelare (se recomandă depozitarea acestora timp de 2 luni; cu cât durata de depozitare este mai mare, cu atât gustul și proprietățile nutritive se pierd).
5	*-Congelare	≤-6	Fructele de mare (peștele, creveții, crustaceele), produsele acvatice și cele din carne nu sunt potrivite pentru congelare (se recomandă depozitarea acestora timp de 1 lună; cu cât durata de depozitare este mai mare, cu atât gustul și proprietățile nutritive se pierd).

8. CURĂȚARE ȘI DEZGHEȚARE

Pentru a preveni riscul de electrocutare sau de vătămare din cauza ventilatorului de circulație care se rotește, scoateți din prize cablul de alimentare înainte de operațiunea de curățare.

Curățare înainte de utilizare

Înainte de a folosi aparatul pentru prima dată spălați interiorul și toate accesoriile acestuia cu apă caldă și ceva săpun neutru pentru a îndepărta mirosul specific produselor noi, apoi uscați-le complet.

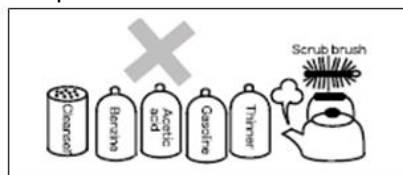
Exterior

Stergeți cu o cârpă moale și uscată. Dacă este foarte murdar, stergeți cu o cârpă umezită, cu detergent. Apoi stergeți cu o cârpă imbibată în apă curată.

Avertisment:

Nu stropiți aparatul direct cu apă și nu spălați cu apă. Se pot produce scurtcircuite și/sau electrocutări.

- Curățați regulat ventilatorul, astfel încât să fie mereu curat.
- Nu folosiți pulberi de lustruit, săpun, benzină, ulei sau apă fierbinte, deoarece acestea vor deteriora vopseaua și componentele din plastic.
- Nu folosiți aparatul pentru depozitarea apei sau a alimentelor care necesită apă ca mediu de depozitare. Nu introduceți fructe de mare proaspete, care conțin apă, direct în aparat.
- Aveți grijă să nu fie obstrucționate deschizăturile pentru ventilație din carcasa aparatului sau din structura integrată.
- Deschideți ușa și stergeți cu o cârpă uscată.



Dezghețare

Compartimentul congelator trebuie dezghețat de două sau trei ori pe an, atunci când gheata este de aproximativ 4 mm grosime. Pentru a-l dezgheța urmați pașii:

- După ce această perioadă a trecut, opriți compartimentul congelator scotând aparatul din priză.
- Scoateți toate alimentele din frigider și înveliți-le în hârtie și așezați-le într-un loc răcoros și lăsați ușa deschisă.

- Atunci cand s-a terminat procesul de dezghetare, compartimentul trebuie curatat si sters.
- Dupa cateva ore termostatul poate fi pus din nou in pozitia initiala.

Avertizare! Nu folositi dispozitive mecanice sau alte mijloace artificiale pentru a grabi procesul de dezghetare, altele decat cele recomandate de producator.

Avertizare! Nu folositi dispozitive electrice in interiorul compartimentului pentru alimente al aparatului, decat daca ele sunt de tipul celor recomandate de producator.

9. DEPANARE

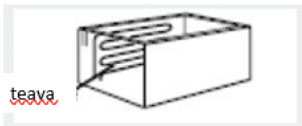
Avertisment! Înainte de a remedia defecțiunile, scoateți ștecărul din priză. Problemele tehnice care nu sunt prezentate în acest manual pot fi remediate numai de către un electrician calificat sau de către o persoană competentă.

Important! Reparațiile nu pot fi realizate decât de către tehnicieni de service calificați. Reparațiile necorespunzătoare pot genera pericole semnificative pentru utilizator. Dacă aparatul dumneavoastră trebuie reparat, contactați distribuitorul specializat sau centrul local de reparații.

Întrerupere a alimentării cu energie	Pentru a preveni ieșirea aerului rece din aparat, închideți repede ușa acestuia și țineți ușa deschisă cât mai puțin timp posibil.
	Evitați să introduceți noi produse alimentare în aparat, deoarece acest lucru va duce la creșterea temperaturii în interiorul compartimentului.
	În cazul unei întreruperi a alimentării cu energie electrică de lungă durată, puneți gheață carbonică în aparat.
Probleme ale cablului de alimentare	În cazul în care cablul de alimentare este deteriorat, acesta trebuie înlocuit cu un cablu special disponibil la producător sau la reprezentantul acestuia.
	Aparatul trebuie amplasat astfel încât ștecărul să fie ușor accesibil.
În caz de neutilizare pentru o perioadă îndelungată	Scoateți toate produsele din aparat și deconectați ștecărul de la sursa de alimentare cu energie electrică.
	Ștergeți interiorul aparatului și apa rămasă în acesta.
	Pentru a preveni formarea mușgaiului și mirosurile neplăcute, lăsați ușa deschisă pentru ca interiorul aparatului să se usuce complet.
Transport	Deconectați ștecărul de la sursa de alimentare cu energie electrică.
	În timpul deplasării aparatului, asigurați-vă că picioarele acestuia nu deteriorează cablul de alimentare.
	Nu lăsați picioarele să lovească trepte, praguri etc.
Depozitare temporară	Puneți o bucată de lemn sau alt obiect similar între ușă și unitatea principală, pentru a împiedica închiderea completă a ușii.
	Asigurați-vă că nu depozitați lada frigorifică neutilizată într-un loc unde copiii se joacă.
	Dacă un copil intră în compartimentul aparatului și ușa se închide, este posibil ca acesta să nu poată deschide ușa din interior.

Va rugam sa verificati urmatoarele daca intampinati probleme cu aparatul. Daca problema continua si dupa masurile de remediere, deconectati cablul de alimentare din priza de perete.

Transferati obiectele depozitate intr-o cutie sau container. Apoi contactati dealerul de la care ati cumparat aparatul si fiti gata sa furnizati informatii asa cum este trecut mai jos in sectiunea "Informatii necesare". Pentru a preveni orice pericol de electrocutare nu scoatei cablul de alimentare din priza de perete cu mainile ude.

Nu raceste deloc	Este intrerupt cablul de alimentare?
	Este scos din priza cablul de alimentare?
	Este sarita siguranta si/sau intrerupatorul automat activat?
Racire neadecvata	Este aerisit locul de instalare?
	Este pozitionat aparatul in apropierea unei sobe sau a unei plite sau in directa de bataie a razelor soarelui?
	Sunt deschise si inchise frecvent usile?
	Obiectele depozitate depasesc linia de incarcare?
	Se formeaza foarte multa gheata in compartimentul congelator?
Zgomote excesive	Este suficient de solida podeaua de sub aparat?
	Se zguduie aparatul si/sau face zgomot?
	Se afla partea din spate in contact cu peretele, etc.?
	Exista un container sau ceva in spatele frigiderului? Compresorul va face pentru o perioada un zgomot putin mai mare dupa ce aparatul este repornit. Zgomotul va disparea odata cu racirea.
Condensare pe exteriorul aparatului	Se poate forma condensare pe exteriorul aparatului si pe usa in timpul zilelor calduroase si cu umiditate sau in functie de locul in care a fost instalat. Acest lucru se intampla atunci cand umiditatea este mare si particulele de apa se lovesc de suprafetele reci. Acest lucru este normal. Stergeti condensul cu o carpa uscata.
Perimetrul frigiderului este fierbinte	In special in timpul verii sau in perioada in care porneste, perimetrul aparatului este fierbinte deoarece acesta are in interior o teava pentru radiatie si impiedicarea formarii condensarii.
	Aceasta caldura nu afecteaza bunurile din interior. 

SERVICE ȘI ASISTENȚĂ PENTRU CLIEȚI

Utilizați numai piese de schimb originale.

Când contactați centrul nostru de service autorizat, asigurați-vă că aveți la îndemână următoarele informații: Denumirea modelului și numărul de serie.

Informațiile pot fi găsite pe plăcuța cu date tehnice. Acestea pot suferi modificări fără o notificare prealabilă.

DATE TEHNICE

Informațiile tehnice se află pe plăcuța cu date tehnice a aparatului și pe eticheta energetică.

Codul QR de pe eticheta energetică furnizată împreună cu aparatul oferă un link web către informațiile din baza de date EPREL cu privire la performanțele aparatului.

Păstrați eticheta energetică pentru consultări ulterioare, împreună cu manualul de utilizare și cu toate celelalte documente furnizate împreună cu acest aparat.

De asemenea, puteți găsi aceleași informații în baza de date EPREL, folosind link-ul <https://eprel.ec.europa.eu> și denumirea modelului și numărul de serie al produsului, pe care le găsiți pe plăcuța cu date tehnice a aparatului.

Pentru a accesa informațiile despre produsul dvs. în portalul EPREL, puteți scana codurile de mai jos:



Vă mulțumim pentru achiziționarea acestui produs! Dacă aveți nevoie de asistență în ceea ce privește produsul dumneavoastră, vizitați site-ul nostru web utilizând linkurile de mai jos:

Manualele de utilizare pot fi găsite la: <https://www.heinner.ro>

Informații privind service-ul pot fi găsite la: <https://www.heinner.ro>



MASURI PENTRU PROTECTIA MEDIULUI

Va informam ca persoanele fizice au urmatoarele obligatii prin legislatia specifica privind protectia mediului si regimul deseurilor:

- Deseurile de echipamente electrice si electronice (DEEE), pot contine substante periculoase pentru mediu si sanatatea umana. Conform OUG 5/2015, exista obligativitatea predarii acestora, pentru tratarea corespunzatoare si valorificarea componentelor reciclabile. Societatea Network One Distribution S.R.L. este platitoare de taxa de "timbru verde" pentru fiecare Echipament Electric si Electronic (EEE) pe care il pune pe piata. Acest cost asigura tratarea ulterioara a echipamentelor uzate colectate. Din acest motiv, odata ce devine dezechilibrat, produsul EEE poate fi predat gratuit operatorului Dvs. de salubritate, la magazine atunci cand achizitionati alt echipament similar, sistemul "unul la unu" sau la punctul de colectare organizat de Primaria Sectorului / localitatii Dvs.
- Simbolul (marcajul) aplicat produselor, care indica faptul ca deseurile DEEE, bateriile si acumulatorii - fac obiectul unei colectari separate, il reprezinta o pubea barata cu o cruce.



Aceste masuri vor ajuta la protejarea mediului

Societatea Network One Distribution S.R.L. este inregistrata in Registrul de punere pe piata a echipamentelor electrice si electronice, avand numarul de inregistrare: RO-2016-03-EEE-0201-IV. De asemenea, au fost intocmite si sunt gestionate: Registrul de Retragere EEE si Registrul de Rechemare EEE, in conformitate cu HG 322/2013. Totodata societatea este inregistrata in Registrul de punere pe piata a bateriilor, avand numarul de inregistrare: RO-2011-03-B&A-0283.

Conformitatea cu directiva RoHS: Produsul pe care l-ați cumpărat este conform cu Directiva RoHS UE (2011/65/UE). Nu conține materialele dăunătoare și interzise specificate în Directivă.

Va multumim ca participati alaturi de noi la protejarea mediului si a sanatatii umane!



HEINNER este marcă înregistrată a companiei **Network One Distribution SRL**. Celelalte branduri și denumirile produselor sunt mărci de comerț sau mărci de comerț înregistrate ale respectivilor deținători.

Nicio parte a specificațiilor nu poate fi reprodusă, sub nicio formă și prin niciun mijloc, nici utilizată pentru obținerea unor derivate precum traduceri, transformări sau adaptări, fără consimțământul prealabil al companiei NETWORK ONE DISTRIBUTION.

Copyright © 2013 Network One Distribution. Toate drepturile rezervate.

www.heinner.com, <http://www.nod.ro>

<http://www.heinner.com>, <http://www.nod.ro>



Acest produs este proiectat și realizat în conformitate cu standardele și normele Comunității Europene.



Importator: **Network One Distribution**

Str. Marcel Iancu, nr. 3-5, București, România

Tel: +40 21 211 18 56, www.heinner.com, www.nod.ro

Фризер

Модел:

HCF-HS420E++



- Общ капацитет: 420 L
- Енергиен клас: E

HEINNER

1. ВЪВЕДЕНИЕ

Моля прочетете внимателно инструкциите и запазете наръчника за бъдещи справки.

Този наръчник има за цел да Ви предостави всички необходими инструкции по отношение на инсталирането, използването и поддържането на уреда. Преди инсталиране и използване на уреда, с цел правилна и безопасна употреба на уреда, моля прочетете внимателно този наръчник с инструкции.

2. СЪДЪРЖАНИЕ НА ВАШИЯ ПАКЕТ

- ➔ Фризер
- ➔ Наръчник за употреба
- ➔ Сертификат за гаранция

3. ИНФОРМАЦИЯ ЗА БЕЗОПАСНОСТ

За Вашата безопасност и за правилна употреба, преди да инсталирате и използвате устройството за първи път, прочетете внимателно този наръчник за потребителя, включително препоръките и предупрежденията. За да се избегнат излишни грешки и злополуки е много важно да се уверите, че всички хора, които използват устройството са запознати с начина на експлоатация и мерките за безопасност. Запазете тези инструкции и се уверете, че ще останат заедно с уреда, ако той бъде преместен или продаден, така че всеки, който го използва в срок на неговата експлоатация да бъде добре информиран във връзка с неговата употреба и с мерките за сигурност.

За безопасност на живота и имуществото, спазвайте разпоредбите в този наръчник за потребителя, тъй като производителя не носи отговорност за щетите причинени поради пропуски.

Безопасност за деца и други уязвими лица

Съгласно стандарт EN

Уредът може да се използва от деца на възраст най-малко 8 години и от лица с намалени физически, сетивни или умствени способности, или с липса на достатъчен опит и познания, само ако са под наблюдение или са получили указания във връзка с използването на уреда по безопасен начин и ако разбират опасностите, които могат да възникнат при използване на уреда. Децата нямат право да си играят с уреда. Почистването и поддръжката не трябва да се извършват от деца без надзор.

Съгласно стандарт IEC

Уредът не е предназначен за използване от лица (включително деца) с намалени физически, сетивни или умствени проблеми, или с липса на опит и познания, освен ако са под наблюдение или са получили указания по отношение на използването на уреда от лице, което е отговорно за тяхната безопасност.

Не оставяйте опаковките на достъпни места за деца. Опасност от задушаване.

За да избегнете ситуации, в които децата могат да пострадат от токов удар или да се затворят вътре в устройството, преди да го изхвърлите, изключете щепсела от контакта, отрежете захранващия кабел (възможно най-близо до устройството) и премахнете вратата на уреда.

Ако това устройство (което е снабдено с магнитна система за затваряне) заменя по-стар уред, снабден с пружинно затваряне (клипс) на вратата или на капака, преди да изхвърлите старото устройство се уверете, че пружинното затваряне не може да се използва повече. По този начин децата не могат да останат блокирани вътре.

Всякаква промяна на спецификациите или на продукта е опасна.

Всяка повреда на захранващият кабел може да създаде риск от късо съединение, пожар или токов удар.

Общи мерки за безопасност

ПРЕДУПРЕЖДЕНИЕ: Този уред е предназначен за използване в жилища и други подобни помещения:

- кухни на персонала в магазини, офиси и други работни среди;
- в домакинствата и от клиенти на хотели, мотели и други жилищни среди;
- среди от тип пансион с предлагана закуска;
- дейности от вида на кетъринг и доставки на едро.

ПРЕДУПРЕЖДЕНИЕ: Не съхранявайте в това устройство взривни вещества, като аерозолни спрейове със запалима течност.

ПРЕДУПРЕЖДЕНИЕ: Ако захранващият кабел е повреден, той трябва да се подмени от производителя, сервизния персонал или от лица с подобна квалификация, за да се избегнат евентуални опасности.

ПРЕДУПРЕЖДЕНИЕ: Уверете се, че отворите за проветрение върху корпуса на уреда или върху неговото тяло не са запушени.

ПРЕДУПРЕЖДЕНИЕ: Не използвайте механични устройства или други средства за ускоряване на процеса за размразяване освен тези, които са препоръчани от производителя.

ПРЕДУПРЕЖДЕНИЕ: Не повреждайте мрежата на хладилния агент.

ПРЕДУПРЕЖДЕНИЕ: Не използвайте електрически уреди на местата за съхраняване на храни в този уред, освен ако са от типа на тези, които се препоръчват от производителя.

ПРЕДУПРЕЖДЕНИЕ: Хладилният агент и изолационният газ са запалими. Елиминирайте уреда само чрез депониране в оторизиран център за елиминиране на отпадъци. Не излагайте уреда на огън.

ПРЕДУПРЕЖДЕНИЕ: Когато позиционирате уреда, уверете се, че не сте смачкали или повредили захранващия кабел.

ПРЕДУПРЕЖДЕНИЕ: Не поставяйте зад уреда разклонители за контакт или преносими източници на захранване.

ПРЕДУПРЕЖДЕНИЕ: Повреденият захранващ кабел трябва да бъде заменен от оторизиран сервиз.

Смяна на крушки

ПРЕДУПРЕЖДЕНИЕ: Светодиодната лампа не трябва да се сменя от потребителя! Ако светодиодната лампа е повредена, свържете се с оторизиран сервизен център.

Това предупреждение е валидно само за хладилници, оборудвани с осветителни лампи (LED светлина).

Хладилен агент

Хладилната верига на устройството съдържа охладителен агент R600a (изобутан), природен газ с висока степен на съвместимост с околната среда, но запалим. По време на транспортирането и монтажа на устройството се уверете, че нито един от компонентите на хладилната верига не е повреден. Хладилният агент (R600a) е запалим.

ПРЕДУПРЕЖДЕНИЕ: Хладилниците съдържат хладилен агент и изолационни газове. Хладилният агент и газовете трябва да бъдат обезвредени по съответстващ начин, защото могат да предизвикат очни наранявания или могат да се запалят. Преди обезвреждане, уверете се, че системата от тръбопроводи на охлаждащия кръг не е повредена.



Внимание: Опасност от пожар/пламателни материали

Ако охладителната верига е повредена:

- Избягвайте употребата на открит пламък и източници за запалване.
- Проветрете добре стаята, в която се намира устройството. Всякаква промяна на спецификациите или на продукта е опасна.

Електрическа безопасност

1. Не удължавайте захранващият кабел.
2. Уверете се, че щепсела не е смачкан или повреден. В случай, че захранващият кабел е смачкан или повреден, той може да прегрее и да причини пожар.
3. Уверете се, че имате достъп до щепсела на устройството.
4. Не дърпайте захранващият кабел.

5. Ако контакта, в който трябва да се включи щепсела е разхлабен, не включвайте щепсела в него. Съществува риск от токов удар и пожар.
6. Не употребявайте устройството без капак на лампата за вътрешно осветление.
7. Уредът може да се захранва само от електрически кръг с монофазен променлив ток 220-240V~/50Hz. Ако промените в напрежението в зоната, в която живее потребителят, не попадат в границите на диапазона на напрежение по-горе, за безопасност, използвайте автоматичен регулатор на напрежението AC с мощност по-голяма от 350 W. Уредът трябва да се захранва от отделен контакт, а не от контакт, към който са свързани и други електрически уреди. Щепселът трябва да е съвместим с контакта за заземяване.

Ежедневна употреба

- Не съхранявайте газове или запалими течности в устройството; съществува риск от експлозия.
- Не използвайте електрически устройства във вътрешността на уреда (например електрически устройства за правене на сладолед, миксери и др.).
- Когато го изключвате от контакта, винаги изваждайте щепсела от контакта, не дърпайте кабела.
- Не поставяйте горещи предмети върху пластмасовите компоненти на устройството.
- Не поставяйте храни точно до отвора за извеждане на въздух, който се намира на задната стена от вътрешността на уреда.
- Съхранявайте опакованите замразени храни в съответствие с инструкциите на производителя на замразените храни.
- Спазвайте стриктно препоръките за съхранение от страна на производителя на това устройство. Вижте съответните указания.
- Не складирайте газирани напитки в хладилната камера, т.к. се образува налягане в бутилките и могат да експлодират, като ще последва повреждане на уреда.
- Замразените храни могат да предизвикат измръзване, ако се консумират директно от фризера.
- Не излагайте устройството на пряка слънчева светлина.
- Дръжте запалени свещи, лампи и други предмети с отворен пламък възможно най-далече от устройството, така че то да не се запали.
- Устройството е предназначено за съхранение на хранителни продукти и/или напитки в обикновено жилище, както е обяснено в този наръчник за потребителя. Устройството е тежко. Внимавайте, когато го премествате.
- Не изваждайте и не докосвайте предмети от фризера, ако ръцете Ви са влажни / мокри, защото това може да причини увреждания на кожата или измръзване.
- Никога не използвайте основата, чекмеджетата, вратите и др., за да се качвате върху тях или като подложка.
- Не замразявайте повторно размразени храни.
- Не яжте сладолед или ледени кубчета директно от фризера, защото могат да причинят измръзване на устата или устните.
- За да предотвратите падане на предмети и причиняване на телесни наранявания или повреждане на уреда, не претоварвайте рафтовете върху вратата и не поставяйте твърде много храни в контейнера за плодове и зеленчуци.

Почистване и поддръжка

- Преди мерките за поддръжка, изключете устройството и извадете щепсела от контакта.
- Не почиствайте устройството с метални предмети, почистващи уреди на пара, етерични масла, органични разтворители или абразивни прахове.
- Не използвайте остри предмети за отстраняване на леда от устройството.
- Използвайте пластмасова стъргалка.

Ремонти

Електрическата работа за ремонтване на уреда трябва да се извършва от квалифициран електротехник или от специализиран персонал.

Продуктът трябва да се ремонтира в оторизиран сервизен център, като се използват само оригинални резервни части.

4. ИНСТАЛИРАНЕ

За свързване на уреда към източник на захранване с електроенергия, следвайте внимателно инструкциите от настоящия наръчник.

Разопаковайте устройството и проверете за повреди.

Ако уреда е повреден, не го свързвайте към източника за захранване. Ако устройството е повредено, незабавно съобщете това на търговеца, от който сте го закупили. В такъв случай запазете опаковката.

Препоръчваме Ви да изчакате най-малко четири часа, преди да свържете устройството към електрическата мрежа, за да може маслото да има време да се върне в компресора.

Въздухът трябва да може да се движи свободно около устройството. Без тази вентилация, уреда може да прегрее. За да получите подходяща вентилация спазвайте инструкциите за инсталиране.

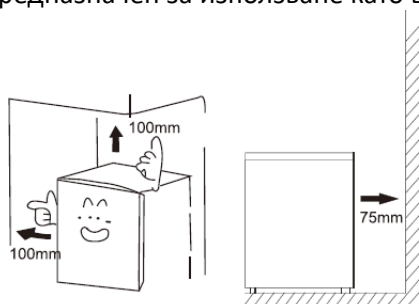
Задната страна на продукта не трябва да се намира твърде близо до стената, за да се предотврати контакта или захващането на топлите компоненти (компресор, кондензатор). За предотвратяване на риска от възникване на пожар, следвайте инструкциите за инсталиране.

Не поставяйте устройството близо до радиатори или готварски печки.

Уверете се, че имате достъп до щепсела, след инсталиране на устройството.

Този хладилен уред не е предназначен за използване като вграден уред.

Важно! Необходимо е да има добра вентилация около уреда за да позволи прилагането на топлина, висока ефективност и ниска консумация на енергия. За да бъде възможно това, трябва да има достатъчно пространство около хладилника. Препоръчително е да има свободно пространство 75 милиметра от задната част на хладилника на стената най-малко 100 mm от двете страни и над горната 100mm. Този хладилен уред не е предназначен за използване като вграден уред.



Уредът не трябва да се излага на дъжд. Достатъчен въздух трябва да бъде в състояние да се движат обратно в долната част на устройството, като лоша циркулация на въздуха може да се отрази на работата. Всички уреди трябва да се поставят далеч от източници на топлина, като например нагреватели и пряка слънчева светлина.

Инсталирайте това устройство на място, където температурата на помещението съответства на климатичния клас, посочен в таблицата с техническа информация за уреда.

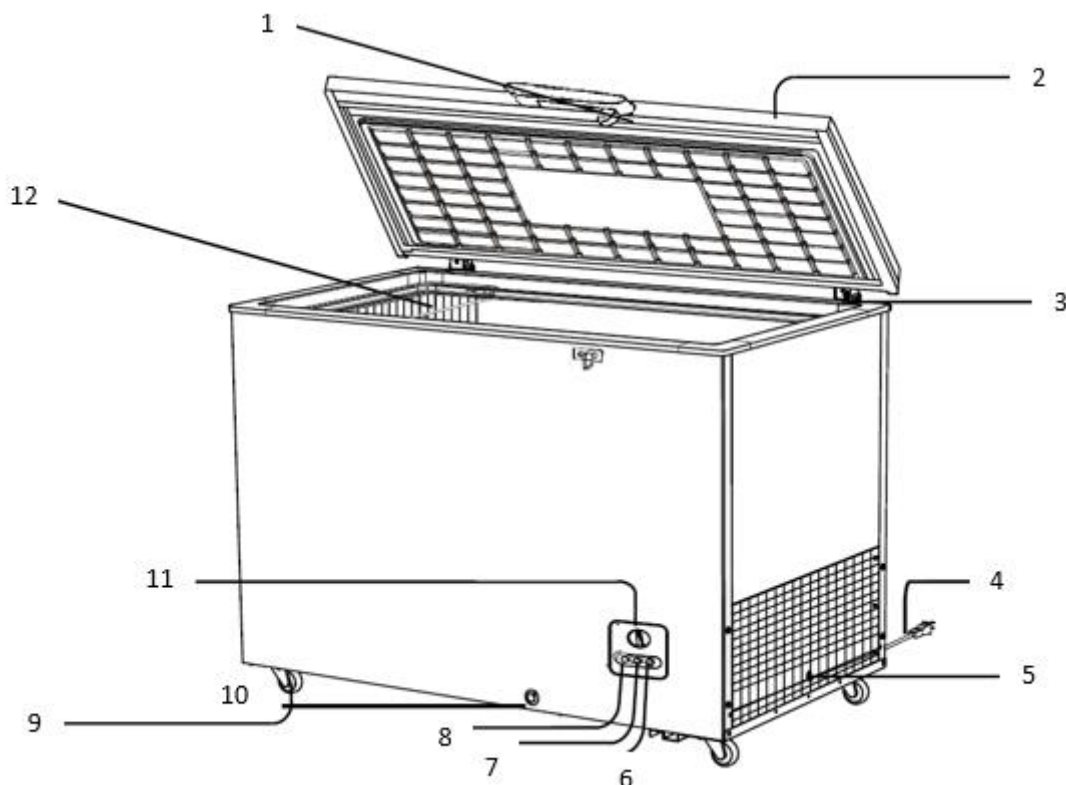
За хладилни уреди с климатичен клас:

- разширен умерен: този хладилен уред е предназначен да се използва при температура на околната среда от 10 °C до 32 °C (SN);
- умерен: този хладилен уред е предназначен да се използва при температура на околната среда от 16 °C до 32 °C (N);
- субтропичен: този хладилен уред е предназначен да се използва при температура на околната среда от 16 °C до 38 °C (ST);
- тропичен: този хладилен уред е предназначен да се използва при температура на околната среда от 16 °C до 43 °C (T);

Изравняване

Този уред трябва да се разположи на повърхността на същото ниво на премахване на вибрации. До нивото на машината, тя трябва да се изправи и двете регулатори могат да бъдат изцяло в контакт с пода. Можете също така да регулирате нивото от развиване на регулатора според отпред (с пръсти или с подходящ ключ).

5. ИМЕНА И ФУНКЦИИ НА КОМПОНЕНТИТЕ



1. Дръжка на вратата	7. Индикатор за аларма
2. Врата	8. Индикатор за работа
3. Панти	9. Колело
4. Захранващ кабел	10. Отводняване
5. Страничен капак	11. Копче за регулиране на температурата
6. Индикатор за захранване	12. Кошница

За да направите този продукт възможно най-ефективен, моля, поставете рафтовете и чекмеджетата в позициите, показани на изображението по-горе.

Никога не докосвайте вътрешността на фризерната камера или замразените храни в отделението с мокри ръце, тъй като това може да доведе до разпадане.

Изображението по-горе е само за справка конфигурация е в зависимост от продукта.

6. ИЗПОЛЗВАНЕ НА ФРИГОРИФИЧНОТО УРЕД

Преди употреба

Отстранете опаковката, лепилната лента и др. и оставете вратите отворени за известно време, за да проветрите уреда.

Уредът е почистен преди доставката. Въпреки това, Ви препоръчваме да почистите вътрешността на отделенията след доставката.

Включете щепсела на кабела в заземен монофазен контактен ключ с напрежение 220-240V. Преди да вкарате храни в уреда, оставете уреда да функционира около 1 час, за да се охлади.

Изчакайте най-малко 5 минути преди повторно включване

Повторното включване на уреда веднага след изключване може да доведе до изгаряне на предпазителя и до активиране на прекъсвача, до претоварване на компресора и/или до други повреди.

Ефикасна употреба

За да се намали разхода на електроенергия, спазвайте инструкциите по-долу:

- За да предотвратите излизането на студен въздух от уреда, затваряйте бързо неговата врата и дръжте вратата отворена за най-кратко възможно време.
- Поставете уреда на добре проветрено място.
- Не използвайте уреда за складиране на вода или на храни, които изискват складиране във вода. Не поставяйте директно в уреда пресни морски дарове, които съдържат вода.
- За ниска консумация на енергия, всички аксесоари, като рафтове, чекмеджета и рафтове на вратите, трябва да се държат в предвидените за тях позиции.

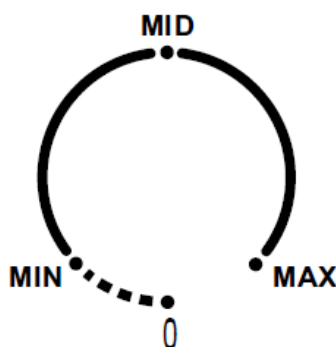
Проверки

С цел безопасност извършвайте следните проверки след почистване на уреда:

- Уверете се, че щепселът на захранващия кабел е вкаран по съответстващ начин в уреда. Уверете се, че щепселът не е много горещ.
- Проверявайте захранващия кабел, за да се уверите, че няма пукнатини или други повреди. Ако забележите най-малка нередност, свържете се с дистрибутора, от който сте закупили този уред, или с отдел обслужване на клиенти.

Контролен панел

- За регулиране на температурата от вътрешността на хладилната камера, завъртете бутона за регулиране на температурата, който се намира в долната предна страна на фризера. Обикновено, фризера се използва при настройка на температурата MID.
- Ако производителността за охлаждане не е достатъчна, завъртете бутона за регулиране на температурата на настройка MAX. Ако уредът охлажда твърде много, завъртете бутона за регулиране на температурата на настройка MIN.
- Ако желаете да изключите временно уреда, завъртете бутона за регулиране на температурата на позиция 0.



Забележка: Настройката за висока температура ще ускори разхищението на храна.

Описание на уреда

Инсталиране: Всички електрически работи, които са необходими за инсталирането на този уред, трябва да се извършват от квалифициран електротехник.

Предупреждение: ТОЗИ УРЕД ТРЯБВА ДА БЪДЕ СВЪРЗАН КЪМ СИСТЕМА ЗА ЗАЕМЯВАНЕ.

Преди да извършвате всякакви електрически връзки, осигурете следното:

- Свързване към електрическата мрежа.
- Електрическият предпазител е гарантиран само когато системата за заземяване на вашето жилище е в съответствие с приложимите местни разпоредби.
- Не повреждайте охладителната верига.
- За да се предотврати опасността от токов удар, не огъвайте, не опъвайте и не дърпайте захранващия кабел.
- Не използвайте електрически уреди във вътрешността на отделенията за съхранение на храни на този уред, освен ако са от препоръчания тип от производителя.
- Уверете се, че електрическият контакт е подходящ за максималната мощност на уреда (предпазителите на захранващата верига трябва да бъдат от 13 ампера).
- Захранващото напрежение трябва да съответства на посоченото в техническите спецификации и на табелката с технически данни на уреда.
- Уредът трябва да бъде свързан към система за заземяване в съответствие с действащото законодателство.
- Електрическият контакт трябва да е лесно достъпен.
- Ако контактите във вашето жилище не си пасват със щепсела, с който е оборудван този уред, свържете се с квалифициран електротехник с оглед подмяна на щепсела.
- Не се препоръчва използването на захранващи адаптери, разклонители или удължителни кабели.

7. СЪХРАНЕНИЕ НА ХРАНИТЕ

Деца на възраст над 3 години имат право да поставят и изваждат храни от хладилните уреди (тази разпоредба е приложима само за страните от Европейския съюз).

Когато замразявате храни, уверявайте се, че не се допират до вътрешните повърхности на фризерното отделение.

Когато замразявате храни, за предотвратяване на тяхното изсушаване и на разпространението на миризми, съхранявайте ги в плътно затворени съдове или торбички, произведени от материали, които нямат вкус и са водоустойчиви и нетоксични.

Горещите храни трябва да се оставят да се охладят до стайната температура и след това да се поставят във фризерното отделение. В противен случай ще повлияят на състоянието на другите храни и ще увеличат разхода на електроенергия.

Фризерните отделения с две звезди са подходящи за съхранение на предварително замразени храни, за съхранение или приготвяне на сладолед и за производство на кубчета лед.

Отделенията с една, две и три звезди не са подходящи за замразяване на пресни храни.

Пореден номер	Тип на отделението	Препоръчвана температура за съхранение [°C]	Храни
1	Охлаждане	+2~+6	Яйцата, готвените храни, пакетирани храни, плодовете и зеленчуците, млечните продукти, сладкишите и напитките не са подходящи за замразяване.
2	(***)*- Замразяване	≤-18	Морските дарове (рибата, скаридите, ракообразните), водните и месните продукти са подходящи за замразяване (препоръчва се тяхното съхранение за 3 месеца; колкото повече е времето за съхранение, толкова повече се губят вкуса и хранителните свойства).

3	***_ Замразяване	≤ -18	Морските дарове (рибата, скаридите, ракообразните), водните и месните продукти не са подходящи за замразяване (препоръчва се тяхното съхранение за 3 месеца; колкото повече е времето за съхранение, толкова повече се губят вкуса и хранителните свойства).
4	**_ Замразяване	≤ -12	Морските дарове (рибата, скаридите, ракообразните), водните и месните продукти не са подходящи за замразяване (препоръчва се тяхното съхранение за 2 месеца; колкото повече е времето за съхранение, толкова повече се губят вкуса и хранителните свойства).
5	*_ Замразяване	≤ -6	Морските дарове (рибата, скаридите, ракообразните), водните и месните продукти не са подходящи за замразяване (препоръчва се тяхното съхранение за 1 месец; колкото повече е времето за съхранение, толкова повече се губят вкуса и хранителните свойства).

8. ПОЧИСТВАНЕ И РАЗМРАЗЯВАНЕ

За да предотвратите опасност от токов удар или нараняване от въртящия се циркуляционен вентилатор, извадете щепсела на захранващия кабел от контакта преди почистване.

Почистване преди употреба

Преди да използвате уреда за първи път, почистете вътрешността и всички аксесоари с топла вода и мек сапун за премахване на особена миризма нова, след това ги подсушете напълно.

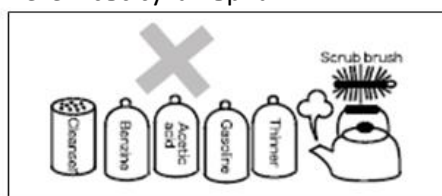
Външна страна

Избърсвайте с мека и суха кърпа. Ако уредът е много замърсен, избършете го с влажна кърпа и препарат за миене, след това избършете го с кърпа, която е напоена с чиста вода.

Предупреждение

Не пръскайте уреда с вода и не го измивайте директно с вода. Може да възникне късо съединение и/или опасност от токов удар.

- Почиствайте редовно хладилната камера, за да я запазвате постоянно чиста.
- Не използвайте полиращ прах, сапунен прах, бензин, масло или гореща вода с цел почистване, т.к. ще повредят боята и пластмасовите компоненти.
- Уверете се, че вентилационните отвори на корпуса на уреда или на неговото тяло не са запушени.
- Отворете вратата и избършете я със суха кърпа.



Размразяване

Отделението на фризера трябва да бъдат размразени два или три пъти в годината, когато лед е около 4 мм дебел. За да размрази го следвайте тези стъпки:

- След този период е преминал, включете фризера да извадите устройството от електрическата мрежа.

- Премахване на всички хранителни продукти от хладилника и ги увийте в хартия и ги поставете на хладно място и се оставя вратата отворена.
- Когато приключите с отделение за замразяване трябва да се почистват и избърсат.
- След няколко часа на термостата може да бъде върнат на мястото си.

Внимание! Не използвайте механични устройства или други средства, които са изкуствени, за да ускори процеса на размразяване, различен от тези, препоръчани от производителя.

Внимание! Не използвайте електрически уреди във вътрешността на отделението за храна на уреда, освен ако те не са от препоръчания от производителя тип.

9. АКО СЕ ПОЯВЯТ СЛЕДНИТЕ ПРОБЛЕМИ

Внимание! Преди да отстраните повредите, извадете щепсела от контакта. Техническите проблеми, които не са представени в това ръководство, могат да бъдат отстранени само от квалифициран електротехник или от компетентно лице.

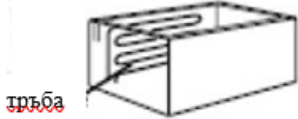
Важно! Ремонтите могат да се извършват само от квалифицирани сервизни техници. Неправилните ремонти могат да доведат до появата на рискове за потребителя. Ако Вашето устройство трябва да бъде ремонтирано, моля свържете се с доставчика или с Вашият местен център за поддръжка.

Прекъсване на захранването с енергия	За да се предотврати излизането на студен въздух от уреда, затваряйте бързо неговата врата и дръжте вратата отворена най-кратко възможно време.
	Избягвайте вкарването на нови хранителни продукти в уреда, тъй като това ще доведе до повишаване на температурата във вътрешността на отделението.
	В случай на продължително прекъсване на захранването с електроенергия, поставете сух лед в уреда.
Проблеми на захранващия кабел	Ако захранващият кабел е повреден, трябва да се подмени със специален кабел, който е наличен при производителя или при неговия представител.
	Уредът трябва да се разположи така че щепселът да е лесно достъпен.
В случай на неизползване за дълго време	Извадете всички продукти от уреда и изключете щепсела от източника на захранване с електроенергия.
	Избършете вътрешността на уреда и останалата вода в него.
	За да се предотврати появата на мухъл и неприятни миризми, оставете вратата отворена, така че вътрешността на уреда да изсъхне напълно.
Транспорт	Изключете щепсела от източника на захранване с електроенергия.
	По време на преместване на уреда, уверете се, че крачетата му не повреждат захранващия кабел.
	Не допускайте крачетата да се удрят в стъпала, прагове и др.
Временно съхранение	Поставете парче дърво или друг подобен предмет между вратата и основния корпус, за да се възпрепятства пълното затваряне на вратата.
	Уверете се, че не съхранявате неизползваната фризерна ракла на място, където децата си играят.
	Ако дете влезе в отделението на уреда и вратата се затвори, възможно е детето да не може да отвори вратата отвътре.

Моля, проверете следното, ако се натъкнете на проблеми с устройството. Ако проблемът продължава, след като коригиращи мерки, извадете захранващия кабел от контакта.

Трансфер предмети, съхранявани в кутия или контейнер. Тогава се свържете с дилъра, от който сте закупили фотоапарата и да бъдат готови да предоставят информация, тъй като се предава в "Задължителна Информация".

За да предотвратите токов удар, не изваждайте захранващия кабел от контакта с мокри ръце.

<i>Не е студено</i>	Кабел се реже?
	Дали захранващият кабел е изключен?
	Пропуска на безопасността и / или автоматично да превключва включени?
<i>Неправилното охлаждане</i>	Тя се проветри мястото на инсталация?
	Устройството е позициониран в близост до печка или плочи или на пряка слънчева светлина побой?
	Вратите се отварят и затварят често?
	Обектите съхранени над товар на линията?
	Образува много лед отделение фризер?
<i>Прекомерен шум</i>	Е достатъчно силна пода под уреда?
	Трептенето на уреда а и / или вдига шум?
	Обратната страна е в контакт със стената, и т. н. ?
	Има контейнер или нещо зад хладилника? Компресорът ще направи за малко по-висок шум, след като устройството се рестартира. Шум ще изчезне с охлаждане.
<i>Кондензацията на външната страна на устройството</i>	Кондензацията може да се образува от външната страна на устройството и на на вратата по време на горещите и влажни дни или в зависимост от това къде е инсталиран. Това се случва, когато влажността е висока и водни частици удря студентите повърхности. Това е нормално. Избършете кондензацията със суха кърпа.
<i>Периметърът на хладилника е горещо</i>	Особено през лятото или по време на старта, периметър устройството е горещо, защото е вътре в тръбата на радиация и предотвратява образуването на конденз.
	Тази топлина не засяга стоките вътре. 

СЕРВИЗ И ОБСЛУЖВАНЕ НА КЛИЕНТИ

Използвайте само оригинални резервни части.

Когато се свързвате с нашия оторизиран сервизен център, уверете се, че имате под ръка следната информация: Наименование на модела и сериен номер.

Информацията може да бъде намерена на табелката с технически данни. Те подлежат на промяна без предварително уведомление.

ТЕХНИЧЕСКИ ДАННИ

Техническата информация се намира на табелката с технически данни на уреда и на енергийния етикет.

QR кодът на енергийния етикет, предоставен заедно с уреда, предлага уеб връзка към информацията в базата данни на EPREL относно постиженията на уреда.

Запазете енергийния етикет за бъдещи справки, заедно с ръководството за употреба и с всички други документи, предоставени заедно с този уред.

Също така, можете да намерите същата информация в базата данни на EPREL, като използвате връзката <https://eprel.ec.europa.eu> и наименованието на модела и серийния номер на продукта, които можете да намерите на табелката с технически данни на уреда.

За достъп до информация за вашия продукт в портала EPREL можете да сканирате кодовете по-долу:



Благодарим ви, че закупихте този продукт! Ако имате нужда от помощ във връзка с вашия продукт, посетете нашия уебсайт, като използвате връзките по-долу:

Получете ръководства за употреба: <https://www.heinner.ro>

Получете информация относно ремонтите: <https://www.heinner.ro>



Изхвърляне на отпадъците по начин, отговорен за околната среда

Можете да помогнете за опазването на околната среда!

Моля спазвайте местните разпоредби: Предайте нефункциониращото електрическо оборудване на център за събиране на отпадъци от електрическо оборудване.



HEINNER е регистрирана марка на компанията **Network One Distribution SRL**. Останалите търговски марки и наименованията на продуктите са търговски марки или регистрирани търговски марки на съответните им притежатели.

Нито една част от спецификациите не може да бъде възпроизвеждана под каквато и да е форма или средство, или използвана за получаване на производни като преводи, трансформации или адаптации, без предварителното съгласие на компанията NETWORK ONE DISTRIBUTION.

Copyright © 2013 Network One Distribution. Всички права запазени.

www.heinner.com, <http://www.nod.ro>

<http://www.heinner.com>, <http://www.nod.ro>



Този продукт е проектиран и произведен в съответствие със стандартите и нормите на Европейската общност.



Вносител: **Network One Distribution**

ул. Марчел Янку № 3-5, Букурещ, Румъния

Tel: +40 21 211 18 56, www.heinner.com, www.nod.ro

FAGYASZTÓLÁDA

Modell:

HCF-HS420E++



- Teljes űrtartalom: 420 L
- Energia hatékonysági osztály: E

HEINNER

1. BEVEZETÉS

Kérjük, figyelmesen olvassa el az utasításokat, és őrizze meg a kézikönyvet későbbi tanulmányozás céljából. A kézikönyv célja a készülék beszerelésével, használatával és karbantartásával kapcsolatos minden szükséges tudnivalót rendelkezésére bocsátani. A készülék helyes és biztonságos használata érdekében, kérjük, hogy beszerelés és használat előtt olvassa el figyelmesen a használati kézikönyvet.

2. AZ ÖN CSOMAGJÁNAK TARTALMA

- ➔ **Fagyasztóláda**
- ➔ **Használati kézikönyv**
- ➔ **Jótállási bizonylat**

3. BIZTONSÁGRA VONATKOZÓ INFORMÁCIÓK

Az ön biztonsága és a helyes használat érdekében a készülék felállítása és első használata előtt olvassa el figyelmesen a felhasználó kézikönyvét, az ajánlásokkal és figyelmeztetésekkel együtt. A főleges tévedések és balesetek elkerülése érdekében fontos meggyőződni arról, hogy minden személy, aki a készüléket használja, ismeri a biztonságos működés módját és a biztonsági intézkedéseket. Őrizze meg ezt a kézikönyvet, és gondoskodjon arról, hogy a készülékkel együtt marad, ha azt elköltöztetnék vagy eladnák, s ily módon bárki használná az élettartama alatt, megfelelőképpen tájékozódhasson a használatáról és a szükséges biztonsági intézkedésekről. Életének és vagyonának biztonsága érdekében tartsa be a használati kézikönyv előírásait, mivel a mulasztásokból származó károkért a gyártó nem felel.

A gyermekek és más érzékeny személyek biztonsága

Az EN szabványnak megfelelően

A készüléket 8 év fölötti gyermekek, csökkent fizikai, érzéki vagy szellemi képességekkel, gyakorlattal vagy ismeretekkel rendelkezők csak akkor használhatják, ha felügyelik, vagy felkészítik őket a készülék biztonságos használatára, és ha megértik a készülék használatával járó veszélyeket. Tilos gyermekeknek játszani a készülékkel. A berendezés tisztítását és karbantartását gyerekek felnőttek felügyelete nélkül nem végezhetik.

Az IEC szabványnak megfelelően

A készülék nem használható csökkent értelmi, érzékszervi, vagy fizikai képességű személyek által (gyermeket is beleértve), vagy olyanok által, akik nem rendelkeznek a kellő mennyiségű tudással és tapasztalattal, csak felügyelet mellett, vagy ha a felügyeletért és a biztonságukért felelős személy megtanította őket a helyes használatra.

A csomagolást tartsa gyermekektől elzárt helyen. Vigyázat, fulladásveszély!

Hogy elkerülje a gyerekek bezáródását a készülék belsejébe, vagy áramütés elszenvedését, mielőtt kidobná a készüléket, húzza ki az aljzatból, vágja le az áramellátó kábelt (minél közelebb a készülékhez) és szerelje le a készülék ajtaját.

Ha ez a mágneses ajtóval ellátott készülék, olyan régi készüléket helyettesít, amelynek ajtója, vagy fedele rugóval (retesszel) működik, mielőtt kidobná, bizonyosodjon meg, hogy a rugós rendszer használhatatlan. Így megelőzi, hogy a gyermekek bezáródjanak az eldobott hűtőszekrénybe.

A készülék jellegzetességeinek bármely megváltoztatása vagy módosítása veszélyes.

A tápkábel bármely megrongálódása rövidzárlatot, tüzet és/vagy áramütést okozhat.

Általános biztonsági intézkedések

FIGYELMEZTETÉS: Ezt a készüléket lakásokban és más hasonló egységekben való használatra gyártották:

- üzletek, irodák és más munkahelyek személyzetének konyhája;
- háztartási és szállodák, motelek és más hasonló tartózkodási hely típusú környezet;
- reggelit is felszolgáló panzió típusú környezet;

- catering típusú és ehhez hasonló, nem kereskedelmi alkalmazások.

FIGYELMEZTETÉS: Ne tároljon a készülékben robbanó anyagokat, mint például aeroszolos gyúlékony üzemanyagot tartalmazó sprayeket.

FIGYELMEZTETÉS: A veszély elkerülése érdekében, amennyiben a tápkábel sérült, ezt ki kell cseréltetni a gyártó, a gyártó szervizügynöke, vagy hasonló szakképesítéssel rendelkező személy által.

FIGYELMEZTETÉS: Ellenőrizze, hogy a hűtőszekrény szellőzőnyílásai szabadon álljanak.

FIGYELMEZTETÉS: Leolvasztáshoz kizárólag a gyártó által ajánlott módszereket használja, ne használjon gépi vagy más eszközt a leolvasztás gyorsítására.

FIGYELMEZTETÉS: Ne sértse meg a hűtőfolyadék keringési rendszerét.

FIGYELMEZTETÉS: Ne használjon elektromos eszközöket készülék élelmiszertároló rekeszeiben, kivéve, ha azok a gyártó által ajánlott típusba tartoznak.

FIGYELMEZTETÉS: A hűtőanyag és a szigetelőgáz gyúlékony. A készüléket csak hivatalos hulladékgyűjtő központba vigye kiselejtezéskor. Ne égesse el a készüléket.

FIGYELMEZTETÉS: A berendezés elhelyezése során figyeljen arra, hogy a tápkábelt ne nyomja össze és ne rongálja meg.

FIGYELMEZTETÉS: Ne helyezzen a berendezés mögé elosztókat vagy hordozható áramforrásokat.

FIGYELMEZTETÉS: A sérült tápkábelt hivatalos szerviznek kell kicserélnie.

Égők cseréje

FIGYELMEZTETÉS: A LED-es lámpát a felhasználó nem cserélheti ki! Ha a LED-lámpa megsérült, forduljon a hivatalos szervizközponthoz.

Ez a figyelmeztetés csak az égőkkel felszerelt hűtőkre vonatkozik (LED fény).

Hűtőfolyadék

A készülék hűtőfolyadék rendszere R600a (izobután) hűtőfolyadékot tartalmaz, amely egy természetes gáz, magas szintű környezeti kompatibilitással, de gyúlékony. Győződjön meg, hogy szállítás és felállítás idején a hűtőfolyadék keringési rendszerének egyetlen eleme sem rongálódott meg. A hűtőfolyadék (R600a) gyúlékony.

FIGYELMEZTETÉS: A hűtőszekrények hideghordozó közeget és veszélyes gázakat tartalmaznak. A hideghordozó közeget és a gázakat megfelelő módon kell eltávolítani, mert ezek szemsérüléseket okozhatnak vagy meggyúlhatnak. A készülék mozgatása előtt győződjön meg róla, hogy a hűtőkör csövezete nem sérült.



Figyelem: Tűzveszély/égő anyagok

A mélyhűtő körfolyam meghibásodása esetén:

- Kerülje a nyílt láng használatát és a tűzforrásokat.
- Alaposan szellőztesse ki a helyiséget, amelyben a készülék található. A készülék jellegzetességeinek bármely megváltoztatása vagy módosítása veszélyes.

Elektromos biztonság

1. Ne hosszabbítsa meg a tápkábelt.
2. Győződjön meg, hogy a dugó nem zúzódtott össze és nem rongálódott meg. Az összezúzott vagy megrongálódott dugó túlhevülhet, és kigyulladhat.
3. Győződjön meg, hogy mindig hozzáférhet a tápkábelhez.
4. Ne rángassa a tápkábelt.
5. Ha meglazult az aljzat, amelybe a dugót be kell dugni, ne használja. Áramütés- és tűzveszély léphet fel.
6. A készüléket ne használja, ha a hűtőteret világító izzólámpa nem működik.
7. A berendezés csak 220~240V/50Hz, egyfázisú váltóáramú hálózatról működtethető. Amennyiben a felhasználó lakhelyén a feszültség értéke nem esik a fenti feszültség tartományba, a biztonsági előírásoknak való megfelelés céljából egy automata 350 W-nál nagyobb teljesítményű AC feszültségszabályozó berendezés használatát javasoljuk. A berendezést külön aljzatról kell működtetni, nem olyanról, amelyhez már más elektromos berendezések is csatlakoznak. A dugasznak kompatibilisnek kell lennie a földeléses aljzattal.

Mindennapos használat

A készülékben ne tároljon gyúlékony gázokat vagy folyadékokat. Robbanásveszély!

A készülék belsejében ne használjon elektromos készülékeket (pl. elektromos fagylaltgépet vagy mixert stb.)

Ha ki akarja húzni a konnektorból, mindig a dugót fogja, ne rángassa a kábelt.

A készülék műanyag komponensei mellé ne helyezzen forró tárgyakat.

Ne helyezzen élelmiszereket a légelvezető nyílás közvetlen közelébe, amely a berendezés belsejében, annak hátsó falán található.

A fagyott élelmiszert az élelmiszergyártó utasításainak megfelelően előcsomagolva tárolja.

Szigorúan tartsa be a készülék gyártójának a tárolásra vonatkozó ajánlásait. Tanulmányozza a tárolásra vonatkozó utasításokat.

A mélyhűtőben ne tároljon szénsavas italokat, mivel ez túlnyomást gyakorol az edényre, amely emiatt elrobbanhat, és megrongálhatja a készüléket.

A fagyasztott élelmiszerek fagyási sérülést okozhatnak, ha közvetlenül a mélyhűtőből kivéve fogyasztja.

Ne tegye ki a készüléket közvetlen napsugaraknak.

A gyertyákat, a nyílt lángú lámpákat és egyéb készülékeket tartsa minél távolabb a készüléktől, hogy ne gyúljon meg.

A készüléket szokványos háztartásban élelmiszerek és/vagy italok tárolására gyártották, amint ezt ez a használati kézikönyv előírja. A készülék súlyos. Vigyázzon, amikor költözteti.

Ne nyúljon nedves/vizes kézzel a fagyasztott termékekhez, mert fagyégsi sebeket, vagy bőrkárosodást szenvedhet.

Sose ne használja a fiókokat, az ajtókat stb. arra a célra, hogy ráálljon vagy posztamensként.

A kiolvasztott élelmiszereket ne fagyassza le újra.

Ne fogyasszon fagylaltot vagy jégkockát közvetlenül a mélyhűtőből, mert előidézheti a száj és az ajkak fagyási sérülését.

A tárgyak leesését, illetve a személyi sérüléseket vagy a berendezés megrongálódását elkerülendő, ne terhelje túl az ajtón található polcokat, továbbá ne helyezzen túl sok élelmiszert a zöldség és gyümölcs tárolására alkalmas fiókokba.

Ha a készülék ajtója huzamos ideig nyitva van, akkor a készülék rekeszeiben a hőmérséklet jelentősen megnő. Tisztítsa rendszeresen azokat a felületeket, amelyekkel az élelmiszerek érintkezhetnek, valamint a készülék lefolyó rendszerét is.

A nyers húst valamint a friss halat tárolja megfelelő edényekben, hogy ne érintkezzen más élelmiszerekkel.

Ha a fagyasztó készülék hosszú ideig üres, kapcsolja ki, takarítsa ki, törölje ki jól és hagyja az ajtóját nyitva, hogy megelőzze a penész keletkezését a készülék belsejében.

Tisztítás és karbantartás

A karbantartási műveletek előtt kapcsolja ki a készüléket és húzza ki az aljzatból a dugót.

Ne tisztítsa a készüléket fémtárgyakkal, gőzzel működő tisztító készülékekkel, illó olajokkal, szerves oldószerekkel vagy súrló hatású porokkal.

A jégnek a készülékről való eltávolításához ne használjon éles tárgyakat.

Használjon műanyagkaparót.

Javítások

A készülék javításával kapcsolatos elektromos munkákat szakképzett villanyszerelőnek vagy szakmailag illetékes személynek kell elvégeznie.

A készüléket engedélyezett szervizben javíttassa, és kizárólag eredeti pótalkatrészeket használjanak.

4. TELEPÍTÉS

A berendezésnek az elektromos hálózatra való csatlakoztatása során szigorúan kövesse jelen kézikönyv erre vonatkozó utasításait.

Csomagolja ki a készüléket, ellenőrizze, hogy nem sérült-e a szállítás során.

Ha a készülék sérült, ne csatlakoztassa az áramforráshoz. Ha a készülék sérült, az esetleges sérüléseket jelentse azonnal a forgalmazónak, ahonnan a készüléket vásárolta. Ebben az esetben őrizze meg a csomagolást.

Javasoljuk, hogy a készülék villamos hálózatra csatlakoztatása előtt várjon legalább négy órát, hogy az olaj folyjon vissza a kompresszorba.

A készülék körül a levegőnek szabadon kell keringenie; szellőzés hiányában a készülék túlhevülhet. A megfelelő szellőzés érdekében tartsa be a szerelési utasításokat.

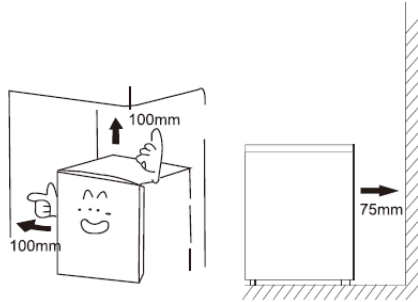
A berendezés hátsó része ne legyen túlságosan közel a falhoz, hogy elkerülhető legyen az érintkezés a felforrósodó alkatrészekkel, illetve ezek becsípődése (kompresszor, kondenzátor). A balesetek kockázatának elkerülése érdekében kövesse figyelmesen a berendezés üzembe helyezésére vonatkozó utasításokat.

A készüléket ne helyezze fűtőtestek vagy tűzhelyek közelébe.

Győződjön meg, hogy a dugóhoz a készülék beszerelését követően is hozzá lehet férni.

Ez a hűtőszekrény nem használható beépített készülékként.

Fontos! Szükséges, hogy a gép környezete jól szellőztetett legyen, lehetővé téve a meleg levegő széteszlődését, a megfelelő hatékonyságot és a csökkentett áramfogyasztást. Ennek érdekében a gép közvetlen környezetében megfelelő nagyságú térre / helyre van szükség. Javasolt egy 75 mm-es szabad tér kialakítása a gép hátánál, 100 mm a gép oldalainál és 100 mm a gép felső részénél.



A gépeket ne helyezze esővíz alá. A gép felső részénél megfelelő mennyiségű levegő kell áramoljon. A nem megfelelő áramlás a gép hatékonyságát befolyásolja. A gépeket hőforrástól távol helyezze el (védve a fűtőtestektől és a közvetlen napfénytől).

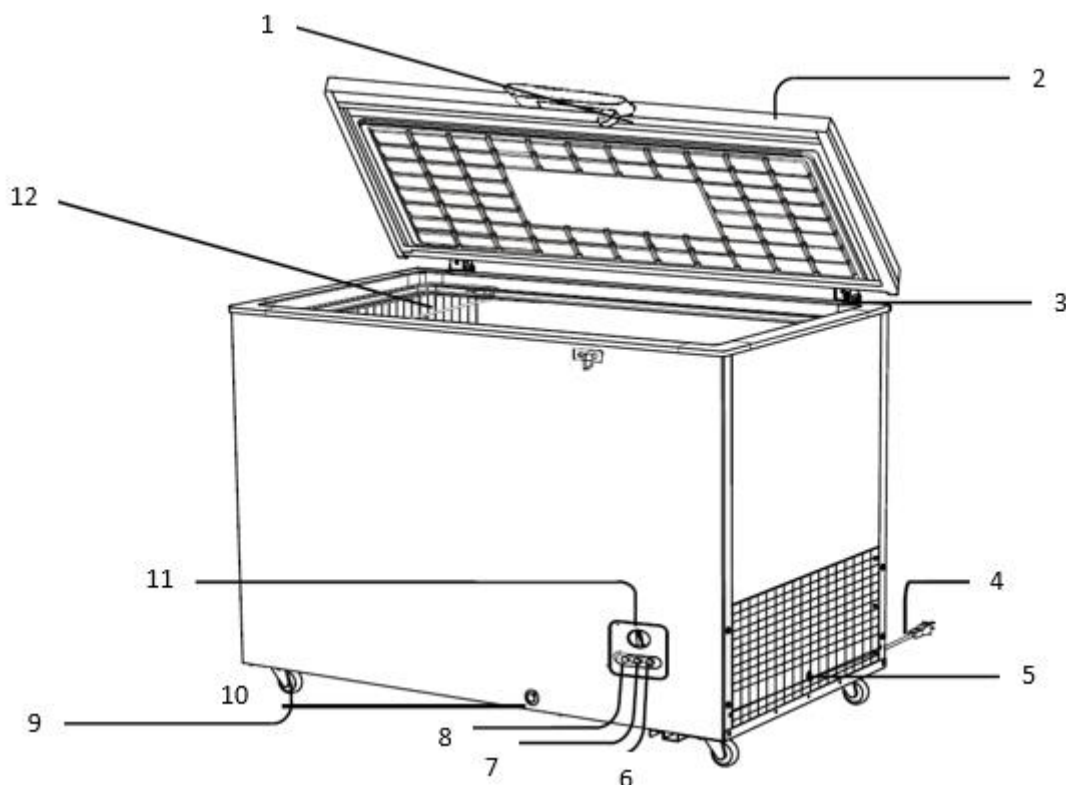
A valamely klímaosztályba tartozó hűtőkészülékek esetében:

- kiterjesztett mérsékelt övi: Ezt a hűtőkészüléket 10 °C és 32 °C közötti környezeti hőmérsékleten való használatra tervezték (SN);
- mérsékelt övi: Ezt a hűtőkészüléket 16 °C és 32 °C közötti környezeti hőmérsékleten való használatra tervezték (N);
- szubtrópusi övi: Ezt a hűtőkészüléket 16 °C és 38 °C közötti környezeti hőmérsékleten való használatra tervezték (ST);
- trópusi övi: „Ezt a hűtőkészüléket 16 °C és 43 °C közötti környezeti hőmérsékleten való használatra tervezték (T);

Szint-kiegyenlítés

Ezt a gépet azonos felületű helyre tegye, elkerülve a gép rezgését. A kiegyenlítés érdekében a gép függőlegesen kell álljon, mindkét kiegyenlítő tartozék a földhöz tökéletesen kell tapadjon. A kiegyenlítő szerkezet ki- és becsavarásával is igazíthat a gép szintjén.

5. TERMÉKLEÍRÁS



1. Ajtókilincs	7. Riasztásjelző
2. Ajtó	8. Futásjelző
3. Csuklópánt	9. Kerék
4. Tápkábel	10. Lefolyás
5. Oldalsó borítás	11. Hőmérsékletszabályozó gomb
6. Teljesítményjelző	12. Kosár

A termék lehető leghatékonyabbá tétele érdekében kérjük, helyezze a polcokat és a fiókokat a fenti ábrán látható pozíciókba.

Vizes kézzel soha ne nyúljon a fagyasztó egység belső részéhez vagy a lefagyott élelmiszerhez. Ez fagydagasztást okozhat.

A felső kép csak tájékoztató jellegű; a beállítás termékfüggő.

6. A TERMÉK HASZNÁLATA

Használat előtt

Távolítsa el a csomagoló anyagot, a ragasztó szalagot, stb. és hagyja nyitva az ajtókat, hogy a készülék szellőzzön.

A készüléket szállítás előtt megtisztították. Ugyanakkor ajánlott a kiszállítás után kitörölni a belső részeit.

Dugja be a kábel csatlakozóját egy földelt, egyfázisú 220-240V fali dugaszba.

Hagyja a készüléket körülbelül 1 órán keresztül működni, hogy a rekesz lehűljön, mielőtt tárgyakat helyezne a készülékbe.

Újraindítás előtt várjon 5 vagy több percet

Az egység kikapcsolása utáni azonnali újraindítása a biztosítékok kioldását és a megszakító működését okozhatja, a kompresszor túlterhelhetővé válhat és/vagy más károk keletkezhetnek.

Hatékony használat

Az elektromos áram használat csökkentése érdekében tartsa be az alábbi utasításokat.

- A hideg levegő távozásának megakadályozására gyorsan csukja be az ajtót és csak a szükséges ideig tartsa nyitva.
- A készüléket egy jól szellőző helyre kell helyezni.
- A készülékbe ne tegyen nagy víztartalmú tengeri gyümölcsöt.
- Az alacsony energiafogyasztás érdekében minden tartozékot, például a polcokat, fiókokat és az ajtópolcokat az előre meghatározott pozícióban kell elhelyezni.

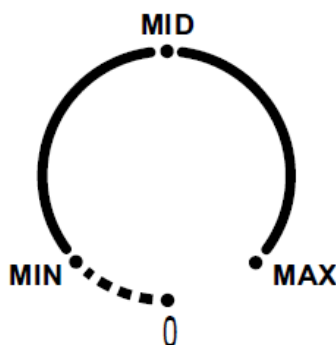
Ellenorzés

A biztonság érdekében a tisztítás után ellenőrizze a következőket:

- A tápkábel dugasa megfelelően van bedugva az aljzatba? Ellenőrizze, hogy a dugasz nem túl meleg.
- Győződjön meg, hogy a tápkábelen nincsenek sérülések vagy repedések. A legkisebb sérülés tapasztalásakor vegye fel a kapcsolatot a forgalmazóval vagy a vevőszolgálattal.

Vezérlőpanel

- A fagyasztótér hőmérsékletének szabályozása érdekében fordítsa el a fagyasztóláda elülső részén található hőmérséklet szabályzó gombot. Alapállásban a fagyasztóláda a MID hőmérséklet beállítással működik.
- Amennyiben nincs megelégedve a fagyasztás mértékével, fordítsa el a hőmérséklet szabályzó gombot a MAX állás irányába. Amennyiben a berendezés túl erősen fagyaszt, fordítsa el a hőmérséklet szabályzó gombot a MIN állás irányába.
- Amennyiben a berendezést ideiglenesen szeretné kikapcsolni, fordítsa el a hőmérséklet szabályzó gombot az 0 állásba.



Megjegyzés: A magas hőmérséklet beállítása felgyorsítja az élelmiszerhulladék keletkezését.

A készülék leírása

Beszereles: A készülék beszereléséhez szükséges bármely villamos munkát szakképzett villanyszerelő végezze.

Figyelmeztetés: A JELEN KÉSZÜLÉKET FÖLDELŐRENDSZERHEZ KELL CSATLAKOZTATNI.

Bármely elektromos csatlakoztatás elvégzése előtt, biztosítsa az alábbiakat:

- Az elektromos hálózathoz való csatlakoztatás.
- Az elektromos biztonság csak akkor biztosított, ha a lakása földelő rendszere megfelel az érvényes helyi előírásoknak.
- Ne rongálja meg a folyadékhűtő áramkört.
- Az áramütésveszély elkerülése érdekében ne csavarja meg, ne nyújtsa ki és ne rángassa a tápvezetéket.
- A készülék élelmiszertároló reteszeiben kizárólag a gyártó által ajánlott típusú villamos készüléket használjon.
- Győződjön meg arról, hogy a csatlakozóaljzat megfelelő a készülék maximális teljesítményéhez (a tápvezeték biztosítékainak áramerőssége 13 amper kell, hogy legyen).

- A tápfeszültség meg kell, hogy feleljen a műszaki előírásoknak és a készülék műszaki adattábláján feltüntetett adatoknak.
- A készüléket a hatályban lévő jogszabályoknak megfelelően kell csatlakoztatni a földelő berendezéshez.
- Az elektromos csatlakozóaljzatnak könnyen hozzáférhetőnek kell lennie.
- Ha a lakásban található csatlakozóaljzatok nem felelnek meg annak a dugaszolónak, mellyel a készülék el van látva, a csatlakozóaljzat kicserélése érdekében lépjen kapcsolatba egy szakképzett villanyszerelővel.
- Nem ajánlott hálózati adapterek, elosztók vagy hosszabbító vezetékek használata.

7. AZ ÉLELMISZER TÁROLÁSA

A 3 éves kort betöltött gyermekek kivehetnek és betehetnek élelmiszereket a hűtőszekrénybe (Ez az előírás csak az Európai Unió tagországaira érvényes).

Élelmiszer fagyasztásakor bizonyosodjon meg, hogy az nem érintkezik a fagyasztó belső felületével.

A két csillaggal jelölt fagyasztó a gyorsfagyasztott élelmiszerek tárolására, fagyalt készítésére vagy tárolására és jégkocka készítésére alkalmas.

Az egy, két és három csillagos fagyasztó a friss ételek fagyasztására nem alkalmas.

Élelmiszer fagyasztásakor tárolja ezeket hermetikusan záródó edényekben vagy tasakokban, amelyek ízmentesek, vízzáró képességűek és nem tartalmaznak mérgező anyagokat, elkerülve a tárolt élelmiszerek kiszáradását és az ételszag kiáradását.

A forró ételt kell hagyni hogy hűljön le szobahőmérsékletre, csak ezt követően tegyük a fagyasztóba. Ellenkező esetben befolyásolják a többi élelmiszer állapotát, illetve megnövekszik az elektromos energia fogyasztás is.

Sorszám:	Fagyasztó rész típusa:	Javasolt tárolási hőmérséklet [°C]	Élelmiszer
1	Hűtés	+2~+6	Tojás, főtt ételek, csomagolt élelmiszer, gyümölcs és zöldség, tejtermék, a sütemények és italok fagyasztása nem megengedett.
2	(***)*-Fagyasztás	≤-18	A tenger gyümölcsei, hal, garnélarák, rákfélék, akvakultúra-termékek és a húsfélék fagyasztása javasolt (javasolt tárolási idő 3 hónap, a tárolási idő növekedésével fokozatosan veszítenek az ízükből és tápértékükből.)
3	***-Fagyasztás	≤-18	A tenger gyümölcsei, hal, garnélarák, rákfélék, akvakultúra-termékek és a húsfélék fagyasztása nem javasolt (javasolt tárolási idő 3 hónap, a tárolási idő növekedésével fokozatosan veszítenek az ízükből és tápértékükből.)
4	** -Fagyasztás	≤-12	A tenger gyümölcsei, hal, garnélarák, rákfélék, akvakultúra-termékek és a húsfélék fagyasztása nem javasolt (javasolt tárolási idő 2 hónap, a tárolási idő növekedésével fokozatosan veszítenek az ízükből és tápértékükből.)
5	*-Fagyasztás	≤-6	A tenger gyümölcsei, hal, garnélarák, rákfélék, akvakultúra-termékek és a húsfélék fagyasztása nem javasolt (javasolt tárolási idő 1 hónap, a tárolási idő növekedésével fokozatosan veszítenek az ízükből és tápértékükből.)

8. TISZTÍTÁS ÉS KIOLVASZTÁS

Az áramütés vagy a forgó ventilátor okozta sérülés elkerülésére a tisztítási művelet elkezdése előtt húzza ki a készüléket a dugaszból.

Használat előtti tisztítás

A gép legelső használata előtt langyos vízzel és semleges szappannal tisztítsa meg annak belső részét és minden tartozékát. Így elkerülheti az új termékek kellemetlen szagát. Tisztítás után teljesen szárítsa ki a gépet.

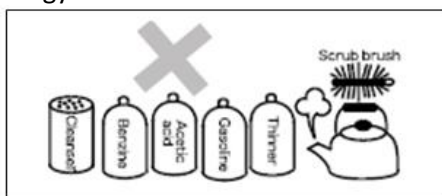
Kívül

Törölje le egy puha és száraz ronggyal. Ha nagyon piszkos törölje meg egy nedves mosószeres törlővel. Majd egy tiszta nedves törlővel.

Figyelmeztetés

A fagyasztót ne spriccelje le vízzel és ne mossa meg vízben. Rövidzárlat keletkezhet vagy áramütés kockázata áll fenn.

- A ventilátort tisztítsa rendszeresen, hogy mindig tiszta legyen.
- Ne használjon súroló porokat, súroló szappant, benzint, olajat vagy forró vizet, mivel ezek a készülék festését vagy a műanyag részeit rongálják.
- Figyeljen arra, hogy a szellőző nyílások mindig maradjanak szabadon a készülék hátoldalán vagy a beépített egységben.
- Nyissa ki az ajtót és törölje ki egy száraz törlővel.



Leolvasztás

A fagyasztó egységet évente két- három alkalommal ki kell olvasztani, ha a jég vastagsága elérte a 4mm-t. A kiolvasztás érdekében kövesse az alábbi lépéseket:

- Miután ez az idő eltelt, állítsa le a fagyasztót, szüntesse meg a hálózati csatlakozást.
- A hűtőből vegyen ki minden élelmiszert és helyezze azokat papírcsomagolásba, majd tegye hűvös helyre. Nyissa ki a gép ajtaját.
- Miután az egység kiolvadt, tisztítsa ki alaposan.
- Néhány óra elteltével a hőfokszabályzót visszaállíthatja az eredeti helyzetbe.

Figyelmeztetés! A kiolvasztás felgyorsítása érdekében ne használjon mechanikus vagy más mesterséges eszközöket. Csak a gyártó által javasolt eszközöket használja.

Figyelmeztetés! Az egység belső részében ne használjon más elektromos eszközöket, csak azokat, melyeket a gyártó javasol.

9. TISZTÍTÁS ÉS KIOLVASZTÁS

Figyelem! Hibaelhárítás előtt húzza ki a készüléket a villamos hálózatról. Azokat a hibákat, amelyek nem szerepelnek ebben a kézikönyvben, kizárólag szakosított villanyszerelő, vagy illetékes személy háríthatja el.

Fontos! A készülék javítása kizárólag szakosított műhelyek által végezhető. A nem megfelelő javítások kockázattal járnak a felhasználó számára. Ha készülékét javítani kell, kérjük, keresse meg a szakkereskedőt vagy a helyi szakszervizt.

Az áramellátás megszűnése	A hideg levegő kiáramlásának elkerülése érdekében csukja be hamar a készülék ajtaját, és a lehető legkevesebb ideig tartsa nyitva.
	Kerülje az új élelmiszerek készülékbe helyezését, ez ugyanis megnöveli a rethesz belsejének a hőmérsékletét.

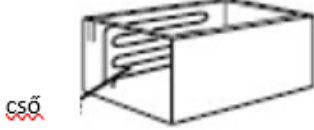
	Hosszú ideig tartó áramszünet esetén helyezzen szénsavas jeget a készülékbe.
A tápvezeték meghibásodása	A megrongálódott tápvezetékét cserélje ki a gyártónál vagy a gyártó képviselőjénél rendelkezésre álló sajátos vezetékre.
	A készüléket úgy helyezze el, hogy a csatlakozóaljzat könnyen hozzáférhető legyen.
Hosszabb idejű nem használat esetén	Távolítsa el minden terméket a készülékből, és csatlakoztassa le az elektromos áramforrásról.
	Törölje ki a készülék belsejét és a benne maradt vizet.
	A penész és a kellemetlen szagok elkerülése érdekében hagyja nyitva a készülék ajtaját, hogy a készülék belseje teljesen kiszáradjon.
Szállítás	Húzza ki a csatlakozót az elektromos áramforrásból.
	A készülék szállítása közben bizonyosodjon meg arról, hogy a készülék lábai nem károsítják meg a tápvezetékét.
	Ne hagyja, hogy a készülék lábai a lépcsőkhöz, a küszöbökhez, stb. ütődjenek.
	Az ajtó teljes becsukódásának elkerülése érdekében helyezzen egy darab fát vagy egy hasonló tárgyat az ajtó és a főegység közé.
Ideiglenes tárolás	Bizonyosodjon meg arról, hogy a használaton kívül lévő fagyasztóládát nem tárolja olyan helyen, ahol a gyermekek játszanak.
	Ha egy gyermek bemegy a készülék reteszébe és az ajtó becsukódik, megtörténhet, hogy belülről nem tudja a készülék ajtaját kinyitni.

Ha a gép meghibásodását észleli, ellenőrizze a következőket. Amennyiben a gond az intézkedések ellenére is fennáll, húzza ki a dugaszt a fali csatlakozóból.

A tárolt élelmiszereket helyezze egy dobozba vagy tárolóedénybe. Lépjen kapcsolatba a forgalmazóval, ahonnan a gépet megvásárolta és közölje vele az alábbi „Szükséges információk” fejezetben megjelölt adatokat.

A balesetveszély elkerülése érdekében vizes kézzel ne húzza ki a dugaszt a fali csatlakozóból.

Egyáltalán nem hűt	A hálózati csatlakozókábel megszakadt?
	A hálózati csatlakozókábel be van dugva?
	Kiszökött a biztosíték és/vagy aktiválódott az automata kapcsoló?
A hűtés nem megfelelő	A telepítési helye megfelelően szellőzik?
	A gépet fűtőtest, gáztűzhely, vagy napsugarak alá helyezte?
	Az ajtót gyakran nyitogatja?
	A gépet túltöltötte?
	A fagyasztó egységben túl sok jég képződik?
	A gép alatti padló megfelelően szilárd?
	A gép inog és azért zajos?

Hangos zaj	Hátul a fallal érintkezik?
	Van valami tartály, vagy más tárgy a hűtő mögött? Az újraindított gép esetében a kompresszor kezdetben kissé hangos. A megfelelő hűtés beálltával a kompresszor elcsendesedik.
Csapadék a gép külső részén	Melegebb napokon a gép külső részén és ajtaján csapadék keletkezhet, a telepítési hely nedvességének függvényében. Ez akkor fordulhat elő, ha nagy a nedvesség-tartalom és a vízcseppek hideg részekkel ütköznek. Ez természetes dolog. Száraz törlőkendővel törölje le a nedvességet.
A gép körvonala felhevült	Nyáron, vagy beindítás után a gép körvonala felhevül, ugyanis abban egy cső és csapadék-gátló berendezés található.
	Ez a hő nem befolyásolja a tárolt élelmiszereket. 

SZERVIZ ÉS ÜGYFÉLSZOLGÁLAT

Kizárólag eredeti cserealkatrészeket használjon.

Mielőtt felvenné a kapcsolatot az engedélyezett szakszervizünkkel, győződjön meg róla, hogy a következő adatok a rendelkezésére állnak: Modell megnevezése és sorozatszáma

Ezeket az adatokat a készülék műszaki adattábláján találja. Ezek az adatok előzetes értesítés nélkül is megváltoztathatók.

MŰSZAKI ADATOK

A termék műszaki adatai a készülék műszaki adattábláján és az energiacímkéjén vannak feltüntetve.

A hűtőszekrény energiacímkéjén található QR-kód egy internetes linket biztosít a készülék teljesítményével kapcsolatos információkhoz, melyek az EPREL adatbázisban találhatóak.

Utólagos tanulmányozás céljából, őrizze meg az energiacímkét a használati útmutatóval valamint a készülék egyéb dokumentumaival együtt.

Ügyszintén, ezeket az információkat az EPREL adatbázisban is megtalálja. Ennek érdekében használja a következő linket: <https://eprel.ec.europa.eu> és adja meg a termék megnevezését és sorozatszámát, amelyeket a készülék műszaki adattábláján talál.

A termékével kapcsolatos információk eléréséhez az EPREL portálon beolvashatja az alábbi kódokat:



Köszönjük, hogy termékünket választotta! Ha termékével kapcsolatosan további információkra van szüksége, keresse fel honlapunkat az alábbi linkeket használva:

A használati útmutatókat innen töltheti le: <https://www.heinner.ro>

A javításokra vonatkozó adatokat itt találja: <https://www.heinner.ro>



A hulladékok környezetfelelős eltávolítása

Segíthet a környezet védelmében!

Kérjük, tartsa be a helyi rendelkezéseket: a nem működő elektromos berendezéseket a használt elektromos hulladékokat gyűjtő központba szolgáltatassa be.



A HEINNER a **Network One Distribution SRL(KFT)** társaság által bejegyzett védjegy. A többi márkajelzés és a termékek megnevezése kereskedelmi vagy az illető birtoklók által bejegyzett márkanevek.

A műszaki leírások egyik része sem reprodukálható semmilyen formában és semmilyen módon, és nem használható fel fordításra, átváltoztatásra vagy alkalmazásra a NETWORK ONE DISTRIBUTION társaság előzetes beleegyezése nélkül.

Copyright © 2013 Network One Distribution. Minden jog fenntartva.

www.heinner.com, <http://www.nod.ro>

<http://www.heinner.com>, <http://www.nod.ro>



A terméket az Európai Közösség előírásainak és jogszabályainak megfelelően tervezték és gyártották.



Importator: **Network One Distribution**

Str. Marcel Iancu, nr. 3-5, București, România

Tel: +40 21 211 18 56, www.heinner.com, www.nod.ro