

# HEINNER

## DISHWASHER HEINNER

HDW-BI6613IE++



[www.heinner.ro](http://www.heinner.ro)

- Dishwasher
- Number of place settings: 13
- Number of programs: 6
- Energy class: E

Thank you for purchasing this product!

## I. INTRODUCTION

***Before using the appliance, please read carefully this instruction manual and keep it for future reference.***

This instruction manual is designed to provide you with all required instructions related to the installation, use and maintenance of the appliance.

In order to operate the unit correctly and safety, please read this instruction manual carefully before installation and usage.

## II. CONTENT OF YOUR PACKAGE



- Dishwasher
- User manual
- Warranty card

### III. SAFETY INSTRUCTIONS

#### General Safety Warnings

- Read these instructions carefully before using your appliance and keep this manual for future reference. Please check the packaging of your machine before installation and the outer surface of the machine once the packaging has been removed. Do not operate the machine if it appears damaged or if the packaging has been opened.
- Packaging materials protect your machine from any damage that might occur during transportation. The packaging materials are environmentally friendly as they are recyclable. Use of recycled material reduces raw material consumption and decreases waste production.
- This appliance can be used by children aged from 8 years and above, and by persons with reduced physical, sensory or mental capabilities or lack of experience and knowledge if they have been given supervision or instruction concerning the use of the appliance in a safe way and understand hazards involved. Children should not be allowed to play with the appliance.
- Remove packaging and keep it out of reach of children.
- Keep children away from detergents and rinse aids.
- There may be some residue left in the machine after washing. Keep children away from the machine when it is open.

#### Installation Warnings

- Choose a suitable and safe place to install your machine.
- Only original spare parts should be used with the machine.
- Unplug the machine before installation.
- Your machine must only be installed by a service agent or a similar qualified person.
- Check that the indoor electrical fuse system is connected in line with safety regulations.
- All electrical connections must match the values on the plate.
- Ensure the machine does not stand on the electrical supply cable.
- Never use an extension cord or a multiple socket connection.
- The plug should be accessible after the machine is installed
- After installation, run your machine unloaded for the first time.
- The machine must not be plugged in during positioning.
- If the electrical cable is damaged, it should only be replaced by a qualified electrician.
- The machine must not be plugged in during positioning.
- Always use the coated plug supplied with your machine.
- Connect the hose directly to the water inlet tap. The pressure supplied by the tap should be a minimum of 0.03 MPa and a maximum of 1 MPa. If the pressure exceeds 1 MPa, a pressure relief valve must be fitted between the connection.

#### During Usage

- This machine is for domestic use only; do not use it for other purposes.
- Do not stand, sit or place loads on the open door of the dishwasher.
- Only use detergents and rinse aids produced specifically for dishwashers. Our company is not responsible for any damage that may occur due to misuse.
- Do not drink water from the machine.
- Due to the danger of explosion, do not place any chemical dissolving agents into the machine's washing section.
- Check the heat-resistance of plastic items before washing them in the machine.
- Only put items in the machine which are suitable for dishwashing, and take care not to overfill the baskets.
- Do not open the door while the machine is in operation, hot water may spill out. Safety devices ensure the machine stops if the door is opened.

- The machine door should not be left open. It may cause accidents.
- Place knives and other sharp objects in the cutlery basket in a blade-down position.
- For the models with the automatic door-opening system - when the EnergySave option is active, the door will open at the end of a program. To prevent damage to your dishwasher, do not attempt to close the door for one minute after it has opened. For effective drying, keep the door open for 30 minutes after a programme has ended. Do not stand in front of the door after the auto-open signal sounds. **THIS MODEL DOESN'T HAVE AUTOMATIC DOOR-OPENING SYSTEM.**
- In the case of a malfunction, repair should only be performed by an authorised service company, otherwise the warranty will be void.
- Before repair work, the machine should be disconnected from the mains. Do not pull the cable to unplug the machine. Switch off the water tap.
- Operation at a low voltage will cause a decline in performance levels.
- For safety, disconnect the plug once a program has finished.
- To avoid an electric shock, do not unplug the machine with wet hands.
- Pull the plug to disconnect the machine from the mains, never pull on the cord.

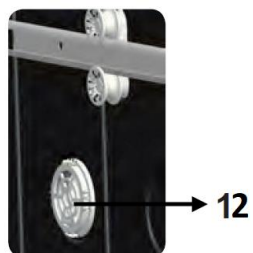
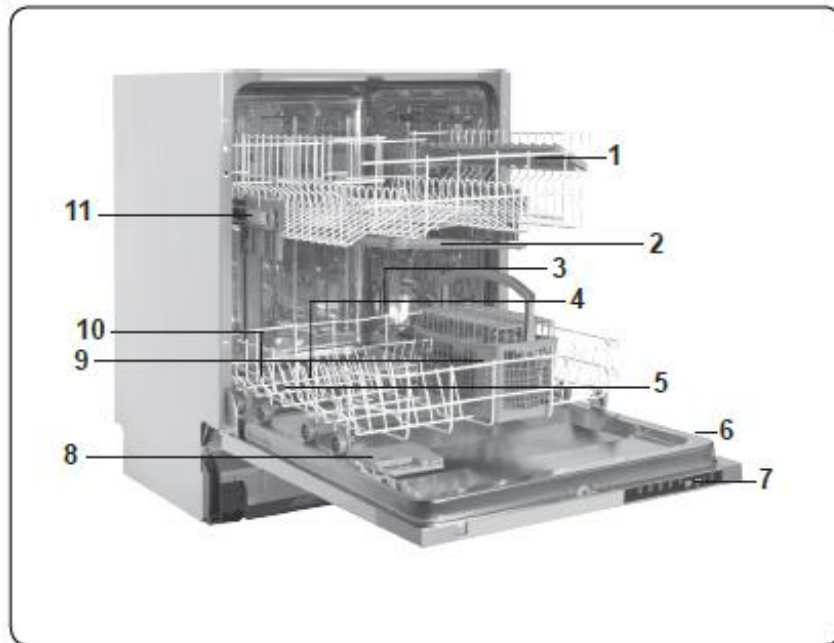
#### **RECYCLING**

- Some machine components and packaging consist of recyclable materials.
- Plastics are marked with the international abbreviations: (>PE<, >PP<, etc.)
- The cardboard parts consist of recycled paper. They can be put into waste paper containers for recycling.
- Material unsuitable for domestic waste must be disposed of at recycling centres.
- Contact a relevant recycling centre to obtain information about disposal of different materials.

#### **PACKAGING AND THE ENVIRONMENT**

Packaging materials protect your machine from damage that may occur during transportation. The packaging materials are environmentally friendly as they are recyclable. The use of recycled material reduces raw material consumption and therefore decreases waste production.

#### IV. PRODUCT DESCRIPTION



1. Upper basket with racks
2. Upper spray arm
3. Lower basket
4. Lower spray arm
5. Filters
6. Rating plate
7. Control panel
8. Detergent and rinse-aid dispenser
9. Cutlery basket
10. Salt dispenser
11. Upper basket track latch
12. Mini Active Drying Unit: This system provides better drying performance for your dishes.

**Technical specifications**

Capacity	13 place settings
Dimensions (mm)	
Height	820-870 (mm)
Width	598 (mm)
Depth	570 (mm)
Net weight	32.6 kg
Operating voltage / frequency	220-240V 50 Hz
Total current (A)	10(A)
Total power (W)	1900(W)
Water supply pressure	Maximum: 1 (Mpa) Minimum: 0.03 (Mpa)

## V. INSTALLATION

### Machine positioning

- When positioning the machine, place it in an area where dishes can be easily loaded and unloaded. Do not put the machine in an area where the ambient temperature falls below 0°C.
- Read all warnings located on the packaging before removing the packaging and positioning the machine.

Place the machine close to a water tap and drain. Take into consideration that the connections will not be altered once the machine is in position.

- Do not hold the machine by its door or panel.
- Leave an adequate distance around the machine to allow ease of movement when cleaning.
- Ensure the water inlet and outlet hoses are not squeezed or trapped and that the machine does not stand on the electrical cable while positioning.
- Adjust the feet so the machine is level and balanced. The machine should be placed on flat ground otherwise it will be unstable and the door of the machine will not close properly.
- Please install the decorative panel as indicated on the assembly sheet. Otherwise, the door may not open properly and steam leakage problem may occur.

### Water connection

We recommend fitting a filter to your water inlet supply in order to prevent damage to your machine due to contamination (sand, rust, etc.) from indoor plumbing. This will also help prevent yellowing and deposit formation after washing.

If models are marked with 25°, the water temperature may be max. 25 °C (cold water).

For all other models: Cold water preferred; hot water max. temperature 60 °C.

### Water inlet hose

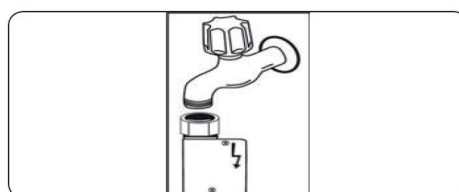


**WARNING:** Use the new water inlet hose supplied with your machine, do not use an old machine's hose.

**WARNING:** Run water through the new hose before connecting.

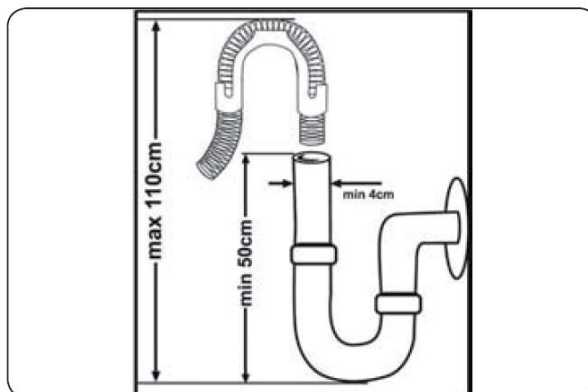
**WARNING:** Connect the hose directly to the water inlet tap. The pressure supplied by the tap should be a minimum of 0.03 MPa and a maximum of 1 MPa. If the pressure exceeds 1 MPa, a pressure relief valve must be fitted between the connection.

**WARNING:** After the connections are made, turn the tap on fully and check for water leaks. Always turn off the water inlet tap after a wash program has finished.



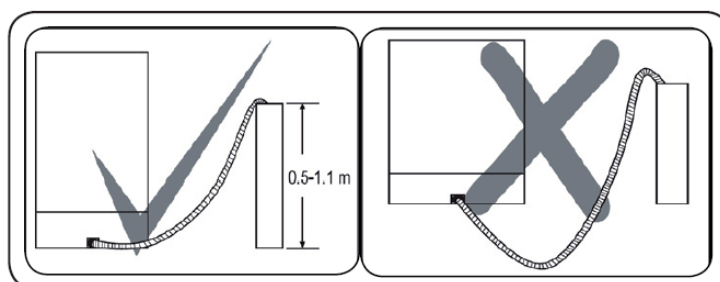
An Aquastop water spout is available. Do not damage it or allow it to become kinked or twisted.

#### Drain hose



Connect the water drain hose directly to water drain hole or to the sink outlet spigot. This connection should be minimum 50 cm and maximum 110 cm from floor plane.

**IMPORTANT:** Items will not wash properly if a drain hose longer than 4 m is used.



#### Electrical connection

**WARNING:** Your machine is set to operate at 220-240 V. If the mains voltage supply to your machine is 110 V, connect a transformer of 110/220 V and 3000 W between the electrical connection.

- The earthed plug of the machine must be connected to an earthed outlet supplied by suitable voltage and current.
- In the absence of earthing installation, an authorised electrician should carry out an earthing installation. In the case of use without earthing installed, we will not be responsible for any loss of use that may occur.
- The indoor fuse current value should be 10-16 A.



## VI. BEFORE USING THE APPLIANCE

### Preparing your Dishwasher for first use

- Check whether the electricity and supply water specifications match the values indicated in the installation instructions for the machine.
- Remove all packaging materials inside the machine.
- Set the water softener level.
- Fill the rinse aid compartment.

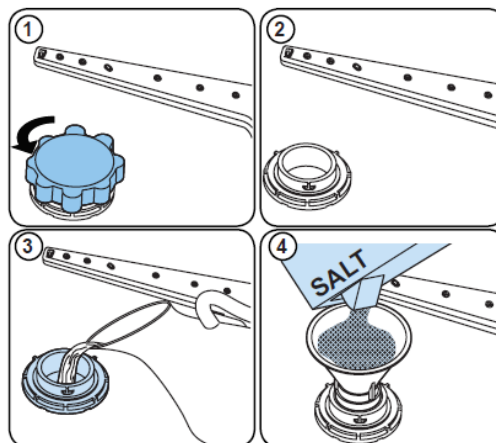
### The importance of water decalcification

For a good washing function, the dishwasher needs soft, i.e. less calcareous water. Otherwise, white lime residues will remain on the dishes and the interior equipment. This will negatively affect your machine's washing, drying and shining performance. When water flows through the softener system, the ions forming the hardness are removed from the water and the water reaches the softness required to obtain the best washing result. Depending on the level of hardness of the inflowing water, these ions that harden the water accumulate rapidly inside the softener system. Therefore, the softener system has to be refreshed so that it operates with the same performance also during the next wash. For this purpose, dishwasher salt is used.

Machine can only be used by special dishwasher salt to soften the water. Do not use any small grained or powdered type of salts which can easily soluble. Using any other type of salt can damage your machine.

### Fill the salt

To add softener salt, open the salt compartment cap by turning it counter clockwise. (1) (2) At first use, fill the compartment with 1 kg salt and water (3) until it is almost overflowing. If available, using a funnel (4) will make filling easier. Replace the cap and close it. After every 20-30 Cycles add salt into your machine until it fills up (approx. 1 kg).




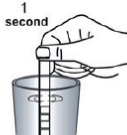

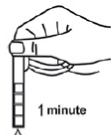
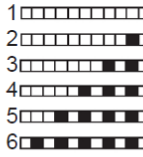
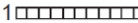
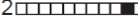
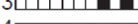



### Only add water to the salt compartment on first use

Use softener salt specifically produced for use in dishwashers.

When you start your dishwasher, the salt compartment is filled with water, therefore put the softener salt in prior to starting your machine.

If the softener salt has overflowed and you do not start the machine immediately, run a short washing program to protect your machine against corrosion.

**Testing strip (it's not provided in product package)**

Run water through the tap (1min.)	Keep the strip in the water (1sec)	Shake the strip.	Wait (1min.)	Set the hardness level of your machine.
				 1  2  3  4  5  6 

**NOTE:** Level is set 3 as default. If the water is well water or has a hardness level above 90 dF, we recommend that you use filter and refinement devices.

**Water Hardness Table**

Level	German dH	French dF	British dE	Indicator
1	0-5	0-9	0-6	L1 is shown on the display.
2	6-11	10-20	7-14	L2 is shown on the display.
3	12-17	21-30	15-21	L3 is shown on the display.
4	18-22	31-40	22-28	L4 is shown on the display.
5	23-34	41-60	29-42	L5 is shown on the display.
6	35-50	61-90	43-63	L6 is shown on the display.

**Water Softener System**

The dishwasher is equipped with a water softener which reduces the hardness in the mains water supply. To find out the hardness level of your tap water, contact your water company or use the test strip (have to be purchased separately, is not provided with the product).

**Setting**

In order to change the salt level, follow the below steps:

- Open the door of the machine.
- Turn on the machine, and press the Programme button as soon as the machine is turned on.
- Hold down the Programme button until “SL” disappears.
- The machine will display the last setting.
- Set the level by pressing the Programme button.
- Turn off the machine to save the setting.

**Detergent usage**

Only use detergents specifically designed for domestic dishwashers. Keep your detergents in cool, dry places out of reach of children.

Add the proper detergent for the selected program to ensure the best performance. The amount of detergent needed depends on the cycle, load size, and soil level of dishes.

Do not fill detergent into the detergent compartment more than required; otherwise you can see whitish streaks or bluish layers on glass and dishes and may cause glass corrosion. Continued use of too much detergent may cause machine damage.

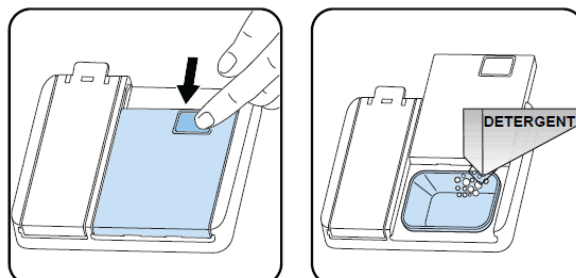
Using little detergent can result in poor cleaning and you can see whitish streaks in hard water.

See the detergent manufacturer’s instructions for a further information.

### Filling the detergent

Push the latch to open the dispenser and pour in the detergent.

Close the lid and press it until it locks in place. The dispenser should be refilled just before the start of each programme. If the dishes are heavily soiled, place additional detergent in the pre-wash detergent chamber.



### Using combined detergents

These products should be used according to the manufacturer's instructions.

Never put combined detergents into the interior section or the cutlery basket.

Combined detergents contain not only the detergent but also rinse-aid, salt replacement substances and additional components depending on the combination. We recommend you do not use combined detergents in short programmes.

Please use powder detergents in such programmes.

If you encounter problems when using combined detergents, please contact the detergent manufacturer.

When you stop using combined detergents, make sure that water hardness and rinse aid settings are set to the correct level.

### Rinse-aid usage

The rinse aid helps to dry the dishes without streaks and stains. Rinse-aid is required for stain-free utensils and clear glasses. The rinse aid is automatically released during the hot rinse phase. If rinse aid dosage setting set too low, whitish stains remains on dishes and dishes do not dry and washed clean.

If rinse aid dosage setting set too height, you can see bluish layers on glass and dishes.

### Filling The rinse-aid and setting

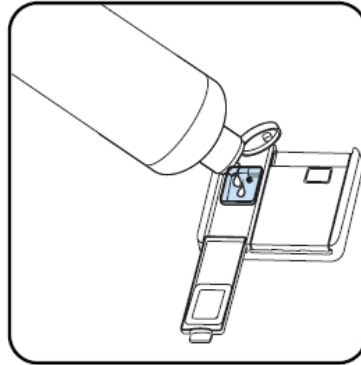
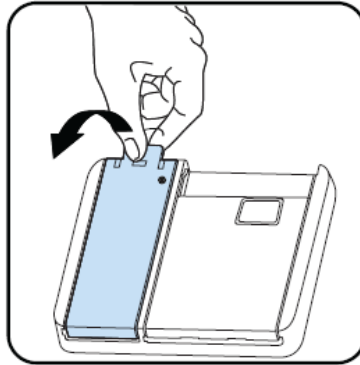
To fill the rinse aid compartment, open the rinse-aid compartment cap. Fill the compartment with rinse aid to the MAX level and then close the cap. Be careful not to overfill the rinse aid compartment and wipe up any spills.

**In order to change the rinse aid level, follow the below steps before turning on the machine:**

- Open the door of the machine.
- Turn on the machine, and press the Programme button as soon as the machine is turned on.
- Hold down the Programme button until "rA" disappears. Rinse aid setting follows water hardness setting.
- The machine will display the last setting.
- Change the level by pressing the programme button.
- Turn off the machine to save the setting.

The factory setting is "4".

If the dishes are not drying properly or are spotted, increase the level. If blue stains form on your dishes, decrease the level.



Level	Brightener Dose	Indicator
1	Rinse-aid not dispensed	r1 is shown on the display.
2	1 dose is dispensed	r2 is shown on the display.
3	2 doses are dispensed	r3 is shown on the display.
4	3 doses are dispensed	r4 is shown on the display.
5	4 doses are dispensed	r5 is shown on the display.

## VII. LOADING YOUR DISHWASHER

For best results, follow these loading guidelines.

Loading the household dishwasher up to the capacity indicated by the manufacturer will contribute to energy and water savings.

Manual pre-rinsing of tableware items leads to increased water and energy consumption and is not recommended. You can place cups, glasses, stemware, small plates, bowls, etc. in upper basket. Do not lean long glasses against one another or they cannot remain steady and may receive damage.

When placing long stem glasses and goblets, lean them against the basket edge or rack and not against other items.

Place all containers such as cups, glasses and pots into the dishwasher with the opening facing downwards otherwise water can collect on items.

If there is cutlery basket in machine, you are recommended to use the cutlery grid in order to obtain the best result. Place all large (pots, pans, lids, plates, bowls etc.) and very dirty items in the lower rack.

Dishes and cutlery should not be placed above each other.

**WARNING:** Take care not to obstruct the rotation of spray arms.

**WARNING:** Make sure after loading the dishes do not prevent opening the detergent dispenser.

### Recommendations

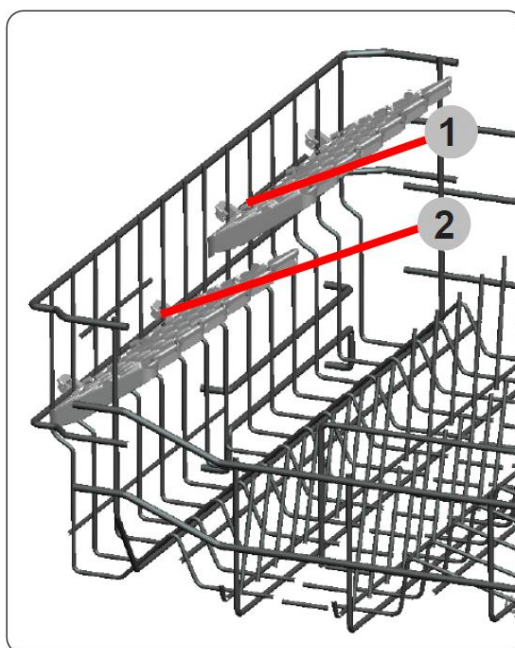
Remove any coarse residue on dishes before placing the dishes in the machine. Start the machine with full load.

Do not overload the drawers or place dishes in the wrong basket.

**WARNING:** To avoid any possible injuries, place long-handle and sharp-pointed knives with their sharp points facing down or horizontally on the baskets.

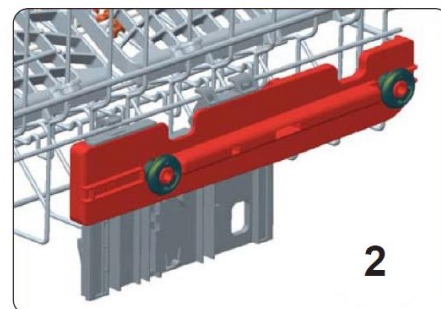
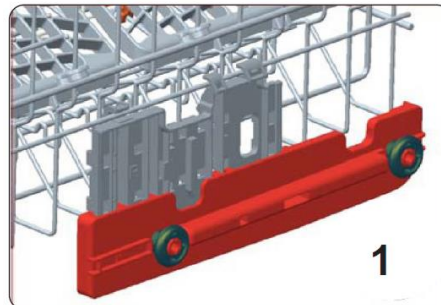
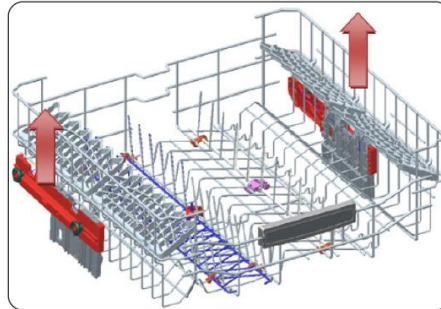
### Height adjustable rack

The height adjustable racks enable glasses and cups to be placed on or under the racks. The racks can be adjusted to 2 different heights. Cutlery and utensils can also be placed on the racks horizontally.



### Height adjustment

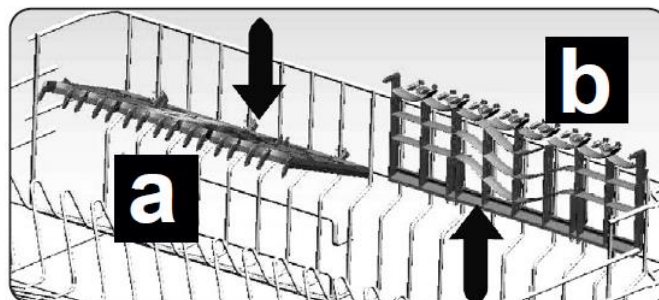
The upper basket includes a mechanism which enables the height of the basket to be adjusted up (1) or down (2) without having to remove the basket. Hold the basket on both sides and pull it up or push it down, ensuring both sides of the upper basket are in the same position.



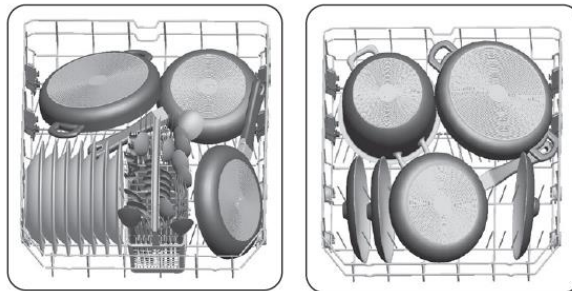
### Top basket

#### Fixed rack

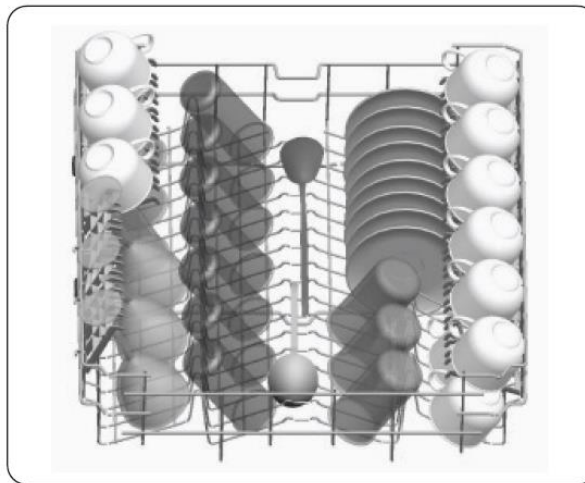
Upper basket racks have two positions: open (a) and closed (b). You can place cups on the racks to be washed. You can also place long forks, knives and spoons on the racks laterally.



**Loads lower basket**

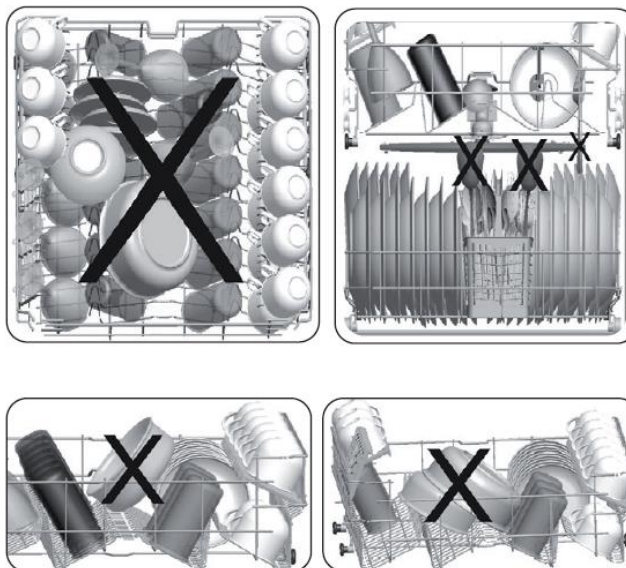


**Upper basket**



**Incorrect loads**

Incorrect loading can cause poor washing and drying performance. Please follow the manufacturer's recommendations for a good performance result.



**Unsuitable items for dishwashing**

- Cigarette ashes, candle leftovers, polish, paint, chemical substances, iron-alloy materials.
- Forks, spoons and knives with wooden, bone, ivory or nacrecoated handles; glued items, items soiled with abrasive, acidic or base chemicals.
- Temperature-sensitive plastics, copper or tinfoiled containers.
- Aluminium and silver objects.
- Some delicate glasses, ornamental printed porcelains; some crystal items, adhered cutlery, lead crystal glasses, cutting boards, synthetic fibred items.
- Absorbent items such as sponges or kitchen rugs.

**IMPORTANT:** In future, purchase dishwasher-proof kitchenware.



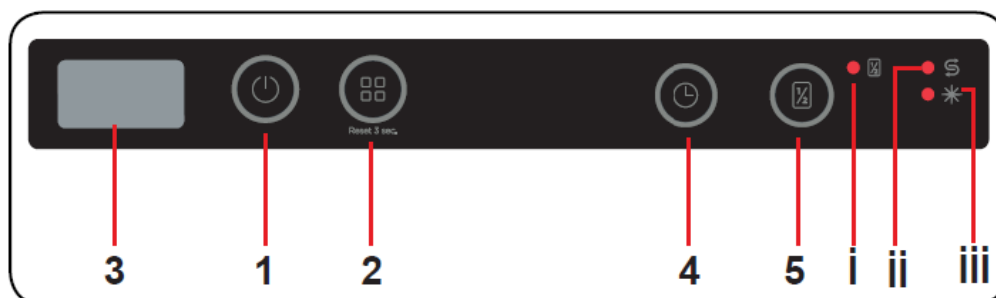
## VIII. PROGRAMME TABLE

	P1	P2	P3	P4	P5	P6
Program Name:	Eco	Smart 50°C - 70°C	Hygiene 70°C	Super 50'	Quick 30'	Prewash
Type of Soil:	Standard program for normally soiled daily using dishes with reduced energy and water consumptions.	Auto program for heavily soiled dishes..	Suitable for heavily soiled dishes requiring hygienic washing.	Suitable for normally soiled daily dishes with faster program.	Suitable for lightly soiled dishes and quick wash.	Suitable to rinse dishes that you plan to wash later.
Level of Soil:	Medium	Heavy	Heavy	Medium	Light	Light
Amount of Detergent: A: 25 cm <sup>3</sup> B: 15 cm <sup>3</sup>	A	A	A	A	A	-
Program Duration (h:min)	03:25	01:25 - 01:57	02:07	00:50	00:30	00:15
Electricity consumption (kWh/cycle)	0.937	1.450 - 1.700	1.900	1.100	0.740	0.020
Water consumption (l/cycle)	12.0	11.9 - 17.2	16.0	12.0	12.4	4.5

- The program duration may change according to the amount of dishes, the water temperature, the ambient temperature and selected additional functions.
- Values given for programmes other than the eco programme are indicative only
- ECO programme is suitable to clean normally soiled tableware, that for this use, it is the most efficient programme in terms of its combined energy and water consumption, and that it is used to assess compliance with the EU ecodesign legislation.
- Washing tableware in a household dishwasher usually consumes less energy and water in the use phase than hand dishwashing when the household dishwasher is used according to the manufacturer's instructions.
- Only use powder detergent for short programs.
- Short programs do not include drying.
- To assist drying, we recommend slightly opening the door after a cycle is complete.
- You can access the product database where the model information is stored by reading the QR code on the energy label.

**NOTE:** According to regulations 1016/2010 and 1059/2010, Eco program energy consumption values may differ. This table is in line with regulations 2019/2022 and 2017/2022.

## IX. CONTROL PANEL



1. On/Off button
2. Program Selection Button
3. Display
4. Delay Button
5. Half Load Button
- i. Half Load Led
- ii. Salt Indicator
- iii. Rinse Aid Indicator

### 1. On/Off Button

Switch the machine on by pressing On / Off button. When machine is on, "--" will be shown on the Display (3).

### 2. Program Selection Button

Select a suitable programme for your dishes by pressing Program Selection button. The programme will start automatically when the door is closed.

### 3. Display

The Display shows the number and total time of the selected programme alternately and the remaining time during operation.

### 4. Delay Button

Press the Delay button to delay the start time of the selected programme for 1 hour up to 19 hours. Pressing the button once delays the start time for 1 hour, and continuing to press will increase the delay time. Press the Delay button to change or cancel the delayed start. If you switch off the machine while delay timer is active, the delayed time is cancelled.

### 5. Half Load Button

Press the Half Load button to reduce the duration of the selected programme, and therefore decrease your energy and water consumption. When Half Load option is selected, Half Load led (i) will illuminate.

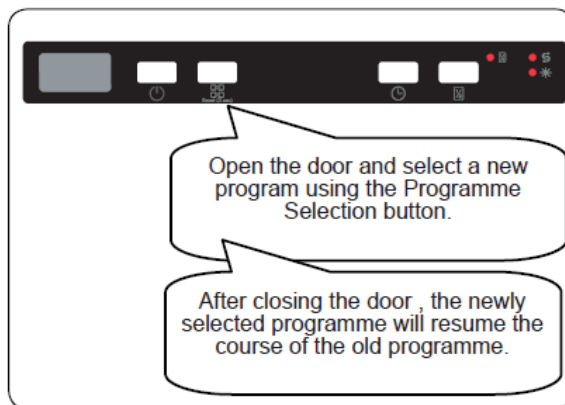
**NOTE:** If you decide not to start the selected programme, please see the "Changing a Programme" and "Cancelling a Programme" sections.

**NOTE:** When there is insufficient softening salt, the Salt Lack Warning Indicator (ii) will illuminate to indicate the salt chamber needs filling.

**NOTE:** When there is insufficient rinse aid, the Rinse Aid Lack Warning Indicator (iii) will illuminate to indicate the rinse aid chamber needs filling.

### Changing a Programme

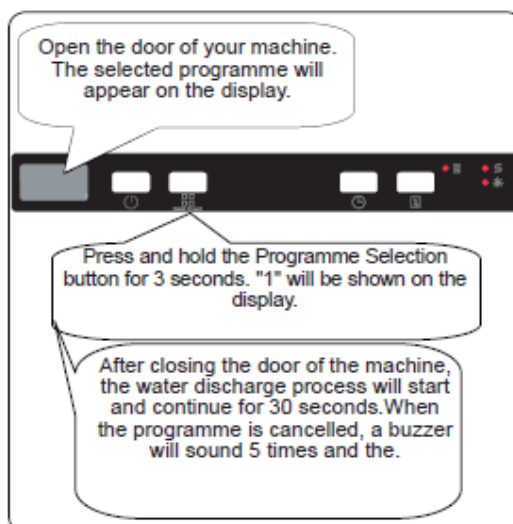
Follow the steps below if you would like to change the programme while in operation



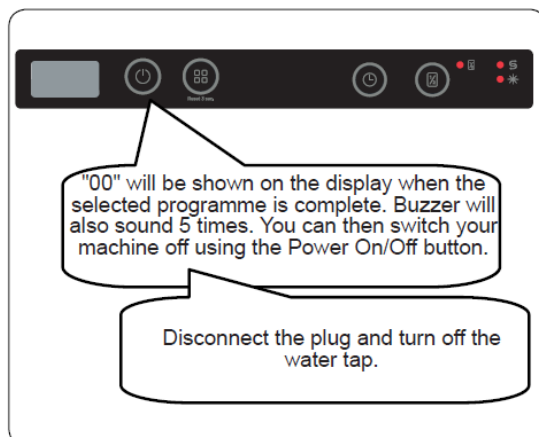
**NOTE:** Open the door slightly at first to avoid water spillage if you wish to stop the wash programme before it is complete

### Cancelling a Programme

Follow the steps below if you would like to cancel a programme while in operation.



### Switching the machine off



**NOTE:** Do not open the door before the programme is complete.

**NOTE:** If the door of the machine is opened or the power is cut off while a programme is in operation, the programme will continue when the door is closed or the power returns.

**NOTE:** If the power is cut or the machine door is opened during the drying process, the programme will terminate.

Your machine will now be ready for a new programme selection.

### Buzzer sound control

To change the buzzer sound level, follow the below steps:

1. Open the door and press Programme (2) and Delay (4) buttons simultaneously for 3 seconds.
2. When sound setting is recognized, buzzer gives a long sound and machine will display last set level, from "S0" to "S3".
3. To decrease sound level press Programme button (2). To increase sound level, press Delay button (4).
4. To save the selected sound level, turn off the machine.  
"S0" level means all voices are off. Factory setting is "S3".

### Save power mode

To activate or deactivate save power mode, follow the below steps:

1. Open the door and press Delay (4) and Half Load (5) buttons simultaneously for 3 seconds.
2. After 3 seconds, the machine will display last Setting, "IL1" or "IL0".
3. When Save Power Mode is activated, "IL1" will be displayed. On this mode, interior lights will turn off 4 minutes after the door is opened, and the machine will turn off after 15 minutes of no activity in order to save energy.
4. When Save Power Mode is deactivated "IL0" will be displayed. If Save Power Mode is deactive, interior lights will be on as long as the door is open, and the machine will always be on unless it is turned off by user.
5. To save the selected setting, turn off the machine.
6. In factory setting, Save Power Mode is active.

## X. CLEANING AND MAINTENANCE

Cleaning your dishwasher is important to maintain the machine's service life.

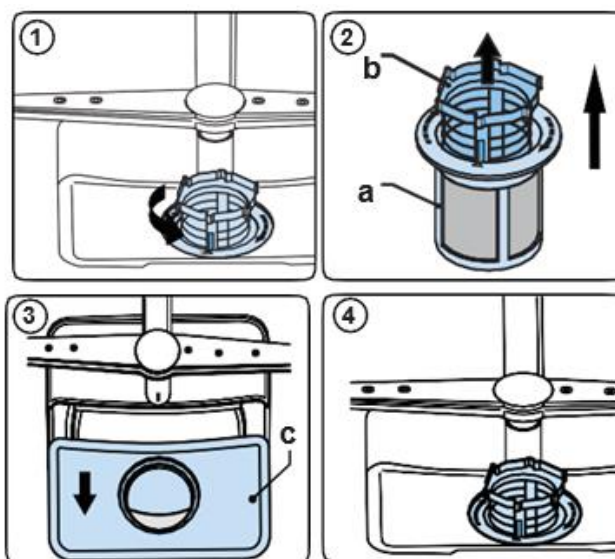
Make sure that the water softening setting (If available) is done correctly and correct amount of detergent is used to prevent limescale accumulation. Refill the salt compartment when the salt sensor light comes on. Oil and limescale may build up in your Dishwasher over time. If this occurs:

- Fill the detergent compartment but do not load any dishes. Select a programme which runs at high temperature and run the Dishwasher empty. If this does not clean your Dishwasher sufficiently, use a cleaning agent designed for use with dishwashers.
- To extend the life of your dishwasher, clean the appliance regularly on each month
- Wipe the door seals regularly with a damp cloth to remove any accumulated residue or foreign objects.

### Cleaning machine and filters

Clean the filters and spray arms at least once a week. If any food waste remains on the coarse and fine filters, remove them and clean them thoroughly with water.

- Micro Filter
- Coarse Filter
- Metal Filter

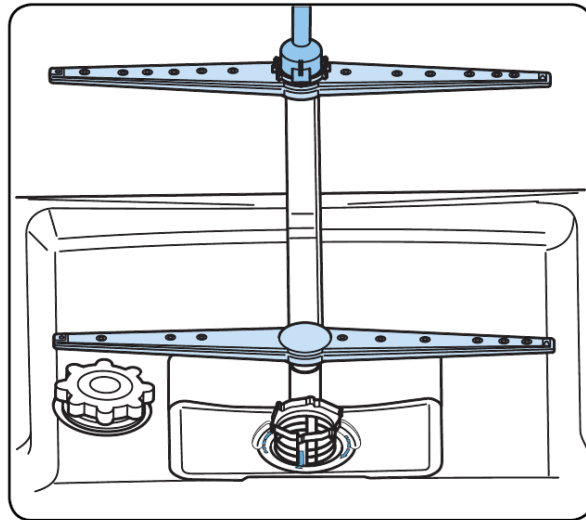


To remove and clean the filter combination, turn it counter clockwise and remove it by lifting it upwards (1). Pull the coarse filter out of the micro filter (2). Then pull and remove the metal filter (3). Rinse the filter with lots of water until it is free of residue. Reassemble the filters. Replace the filter insert, and rotate it clockwise (4).

- Never use your Dishwasher without a filter.
- Incorrect fitting of the filter will reduce the washing effectiveness.
- Clean filters are necessary for proper running of the machine.

### Spray arms

Make sure that the spray holes are not clogged and that no food waste is stuck to the spray arms. If there is any clogging, remove the spray arms and clean them under water. To remove the upper spray arm undo the nut holding it in position by turning it clockwise and pulling it downwards. Make sure that the nut is properly tightened when refitting the upper spray arm.



### Drain Pump

Large food residues or foreign objects which were not captured by the filters may block the waste water pump. The rinsing water will then be above the filter.

### Warning Risk of cuts!

When cleaning the waste water pump, ensure that you do not injure yourself on pieces of broken glass or pointed implements.

In this case:

1. First always disconnect the appliance from the power supply.
2. Take out baskets.
3. Remove the filters.
4. Scoop out water, use a sponge if required.
5. Check the area and remove any foreign objects.
6. Install filters.
7. Re-insert baskets.

## XI. TROUBLESHOOTING

FAULT	POSSIBLE CAUSE	TROUBLESHOOTING
The programme does not start.	Your Dishwasher is not plugged in.	Plug your Dishwasher in.
	Your Dishwasher is not switched on.	Switch your Dishwasher on by pressing the On/Off button.
	Fuse blown.	Check your indoor fuses.
	Water inlet tap is closed.	Turn on the water inlet tap.
	Your Dishwasher door is open.	Close the Dishwasher door.
	Water inlet hose and machine filters are clogged.	Check the water inlet hose and machine filters and make sure they are not clogged.
Water remains inside the machine.	Water drain hose is clogged or twisted.	Check the drain hose, then either clean or untwist it.
	The filters are clogged.	Clean the filters.
	The programme is not finished yet.	Wait until the programme is finished.
Machine stops during washing.	Power failure.	Check mains power.
	Water inlet failure.	Check water tap.
Shaking and hitting noises are heard during a wash operation.	The spray arm is hitting the dishes in the lower basket.	Move or remove items blocking the spray arm.
Partial food wastes remain on the dishes.	Dishes placed incorrectly, sprayed water not reaching affected dishes.	Do not overload baskets.
	Dishes leaning each another.	Place dishes as instructed in the section on loading your dishwasher.
	Not enough detergent used.	Use the correct amount of detergent, as instructed in the programme table.
	Wrong wash programme selected.	Use the information in the programme table to select the most appropriate programme.
	Spray arms clogged with food waste.	Clean the holes in the spray arms with thin objects.
	Filters or water drain pump clogged or filter misplaced.	Check the drain hose and filters are correctly fitted.

FAULT	POSSIBLE CAUSE	TROUBLESHOOTING
Whitish stains remains on dishes.	Not enough detergent used.	Use the correct amount of detergent, as instructed in the programme table.
	Rinse aid dosage and/or water softener setting set too low.	Increase rinse aid and/or water softener level.
	High water hardness level.	Increase water softener level and add salt.
	Salt compartment cap not closed properly.	Check that the salt compartment cap is closed properly.
Dishes do not dry.	Drying option is not selected.	Select a programme with a drying option.
	Rinse aid dosage set too low.	Increase rinse aid dosage setting.
Rust stains form on the dishes.	Stainless-steel quality of the dishes is insufficient.	Use only dishwasher-proof sets.
	High level of salt in wash water.	Adjust the water hardness level using water hardness table.
	Salt compartment cap not closed properly.	Check that the salt compartment cap is closed properly.
	Too much salt spilled in the Dishwasher while filling it with salt.	Use funnel while filling salt to the compartment to avoid spillage.
	A poor mains grounding.	Consult a qualified electrician immediately.
Detergent remains in the detergent compartment.	Detergent was added when the detergent compartment was wet.	Make sure detergent compartment is dry before use.



**AUTOMATIC FAULT WARNINGS AND WHAT TO DO**

TROUBLE CODE	POSSIBLE FAULT	WHAT TO DO
FF	Water inlet system failure	Make sure the water inlet tap is open and water is flowing.
		Separate the inlet hose from the tap and clean the filter of the hose.
		Contact for service if the error continues.
F5	Pressure system failure	Contact for service.
F3	Continuous water input	Close the tap and contact for service.
F2	Inability to discharge water	Water discharge hose and filters may be clogged.
		Cancel the program.
		If the error continues, contact for service.
F8	Heater error	Contact for service.
F1	Overflow	Unplug the machine and close the tap.
		Contact for service.
FE	Faulty electronic card	Contact for service.
F7	Overheating	Contact for service.
F6	Faulty heater sensor	Contact for service.
HI	High voltage failure	Contact for service.
LO	Low voltage failure	Contact for service.

## XII. PRACTICAL INFORMATION

1. When the machine isn't in operation:
  - Disconnect the plug and close the tap.
  - Leave the door slightly open to prevent odour formation.
2. Select the dry option to remove water droplets.
3. Place dishes in the machine properly to achieve the best energy consumption, washing and drying performance. Please see the programme and consumption table for more information.
4. Rinse dirty dishes before placing them in the dishwasher.
5. Only use the Prewash programme when necessary.
6. Do not place the machine near a refrigerator because it will reach high temperatures.
7. If the machine is located in an area that is at risk of freezing, close the tap, disconnect the inlet hose from the tap and drain the water inside the hose and the machine completely.

## CUSTOMER CARE AND SERVICE

Always use original spare parts.

When contacting our Authorised Service Centre, ensure that you have the following data available: Model and Serial Number.

The information can be found on the rating plate. Subject to change without notice.

## TECHNICAL DATA

The technical information is situated in the rating plate on the internal side of the appliance and on the energy label.

The QR code on the energy label supplied with the appliance provides a web link to the information related to the performance of the appliance in the EU EPREL database.

Keep the energy label for reference together with the user manual and all other documents provided with this appliance.

It is also possible to find the same information in EPREL using the link <https://eprel.ec.europa.eu> and the model name and product number that you find on the rating plate of the appliance.

To access information about your product in the EPREL portal, you can scan the codes below:



Thank you for purchasing this product. If you need support with your product, visit our website using the links below.

**Get User manuals:** <https://www.heinner.ro>

**Get Service information:** <https://www.heinner.ro>



**Environment friendly disposal**

You can help protect the environment!

Please remember to respect the local regulations: hand in the non-working electrical equipment's to an appropriate waste disposal center.



**HEINNER** is a registered trademark of **Network One Distribution SRL**. Other brands and product names are trademarks or registered trademarks of their respective holders.

No part of the specifications may be reproduced in any form or by any means or used to make any derivative such as translation, transformation, or adaptation without permission from NETWORK ONE DISTRIBUTION.

Copyright © 2013 Network One Distribution. All rights reserved.

[www.heinner.com](http://www.heinner.com), <http://www.nod.ro>

<http://www.heinner.com>, <http://www.nod.ro>



This product is in conformity with norms and standards of European Community

Importer: **Network One Distribution**

Marcel Iancu Street, 3-5, Bucharest, Romania

Tel: +40 21 211 18 56, [www.heinner.com](http://www.heinner.com) , [www.nod.ro](http://www.nod.ro)

# HEINNER

## MASINA DE SPALAT VASE HEINNER HDW-BI6613IE++



- Masina de spalat vase
- Numar de seturi: 13
- Numar de programe: 6
- Clasa energetica: E

Vă mulțumim pentru alegerea acestui produs!

## I. INTRODUCERE

***Înainte de a utiliza acest aparat, citiți cu atenție manualul de instrucțiuni și păstrați-l pentru consultări ulterioare.***

Acest manual este conceput pentru a vă oferi toate instrucțiunile necesare referitoare la instalarea, utilizarea și întreținerea aparatului.

Pentru utilizarea corectă și în siguranță a aparatului, vă rugăm să citiți cu atenție acest manual de instrucțiuni, înainte de instalare și utilizare.

## II. CONȚINUTUL PACHETULUI DUMNEAVOASTRĂ



- Mașina de spălat vase
- Manual de utilizare
- Certificat de garanție

### III. INSTRUCȚIUNI PRIVIND SIGURANȚA

#### Avertismente generale privind siguranța

- Înainte de utilizarea aparatului, citiți cu atenție toate instrucțiunile. Păstrați instrucțiunile pentru consultări ulterioare. Înainte de instalare, verificați ambalajul. După îndepărtarea ambalajului, verificați suprafețele exterioare ale mașinii. Nu utilizați mașina în cazul în care această prezintă semne de deteriorare sau dacă ambalajul a fost deschis.
- Ambalajele protejează mașina împotriva eventualelor deteriorări care pot apărea în timpul transportului. Ambalajele sunt ecologice și reciclabile. Utilizarea materialelor reciclate reduce consumul de materie primă și producerea de deșeuri.
- Aparatul poate fi utilizat de către copii cu vârste începând de la 8 ani și de către persoane cu capacități fizice, senzoriale sau mentale reduse, cu lipsă de experiență sau cunoștințe, numai dacă acestea sunt supravegheate sau instruite în ceea ce privește utilizarea în siguranță a aparatului și dacă înțeleg pericolele pe care le implică utilizarea. Nu permiteți copiilor să se joace cu acest aparat.
- Scoateți ambalajul și nu îl lăsați la îndemâna copiilor.
- Nu lăsați copiii să se apropie de detergenți și agenți de clătire.
- După spălare, este posibil ca în mașină să rămână unele resturi. Nu lăsați copiii să se apropie de mașină atunci când aceasta este deschisă.

#### Avertismente privind instalarea

- Alegeți un loc potrivit și sigur pentru a instala mașina.
- Utilizați numai piese de schimb originale.
- Deconectați ștecărul de la sursa de alimentare înainte de instalare.
- Această mașină trebuie să fie instalată numai de către un reprezentant de service sau de persoane cu calificări similare.
- Asigurați-vă că instalația electrică este racordată în conformitate cu reglementările privind siguranța.
- Toate conexiunile electrice trebuie să corespundă valorilor indicate pe plăcuța cu date tehnice.
- Asigurați-vă că mașina nu este așezată pe cablul de alimentare.
- Nu utilizați cabluri prelungitoare sau prize multiple.
- După instalarea mașinii, ștecărul trebuie să fie ușor accesibil.
- După instalarea mașinii, primul ciclu de funcționare a mașinii trebuie să se desfășoare fără încărcătură.
- În timpul poziționării mașinii, ștecărul trebuie să fie deconectat de la sursa de alimentare.
- În cazul în care cablul electric prezintă deteriorări, acesta trebuie înlocuit de către un electrician calificat.
- Mașina nu trebuie conectată la priză în timpul poziționării.
- Întotdeauna folosiți ștecherul captușit cu care este dotată mașina.
- Conectați furtunul direct la robinetul de apă. Presiunea furnizată de robinet trebuie să fie de minimum 0,03 MPa și de maximum 1 MPa. Dacă presiunea depășește 1 MPa, o supapă reductoare de presiune trebuie montată între conexiuni.

#### Avertismente privind utilizarea

- Această mașină este destinată exclusiv uzului casnic și nu trebuie utilizată în alte scopuri.
- Nu vă așezați și nu puneți obiecte pe ușa deschisă a mașinii de spălat.
- Utilizați numai detergenți și agenți de clătire special concepuți pentru mașini de spălat vase. Compania noastră nu poartă răspunderea pentru nicio deteriorare care poate interveni ca urmare a utilizării necorespunzătoare.
- Nu beți apa din mașina de spălat vase.
- Pentru evitarea pericolului de explozie, nu puneți agenți de dizolvare în compartimentul de spălare al mașinii.

- Asigurați-vă că obiectele din material plastic sunt rezistente la căldură înainte de a le introduce în mașină.
- Nu puneți în mașină obiecte care nu sunt potrivite pentru spălare în mașina de spălat vase. Nu supraîncărcați coșurile mașinii.
- Nu deschideți ușa mașinii în timpul funcționării, deoarece apa fierbinte se poate scurge. Mașina este prevăzută cu un sistem de siguranță care oprește funcționarea în momentul deschiderii ușii.
- Nu lăsați deschisă ușa mașinii. Aceasta poate provoca accidente.
- Puneți cuțitele și alte obiecte ascuțite în coșul pentru tacâmuri, cu lama în jos.
- În cazul modelelor dotate cu sistem automat de deschidere a ușii, dacă funcția EnergySave este activă, ușa se va deschide la finalizarea programului. Pentru a preveni deteriorarea mașinii dumneavoastră de spălat vase, după deschiderea ușii, așteptați timp de un minut înainte de a o închide. Pentru o uscarea eficientă, lăsați ușa deschisă timp de 30 de minute după finalizarea programului. Nu stați în fața ușii după ce auziți semnalul sonor care indică deschiderea automată a ușii. **ACEST MODEL NU ESTE PREVĂZUT CU SISTEM AUTOMAT DE DESCHIDERE A UȘII.**
- În cazul apariției unei defecțiuni, reparațiile trebuie efectuate numai de către reparatorul autorizat. În caz contrar, garanția își pierde valabilitatea.
- Înainte de efectuarea lucrărilor de reparații, mașina trebuie deconectată de la sursa de alimentare cu energie electrică. Nu trageți de cablu pentru a deconecta mașina de la sursa de alimentare. Închideți robinetul de apă.
- Funcționarea la tensiune redusă duce la scăderea nivelurilor de eficiență.
- Pentru siguranță, deconectați ștecărul de la sursa de alimentare după finalizarea programului.
- Pentru evitarea electrocutării, nu scoateți ștecărul din priză cu mâinile ude.
- Pentru a deconecta mașina de la sursa de alimentare, nu trageți de cablu, ci de ștecăr.

#### RECICLAREA

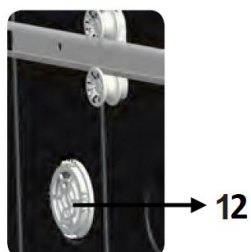
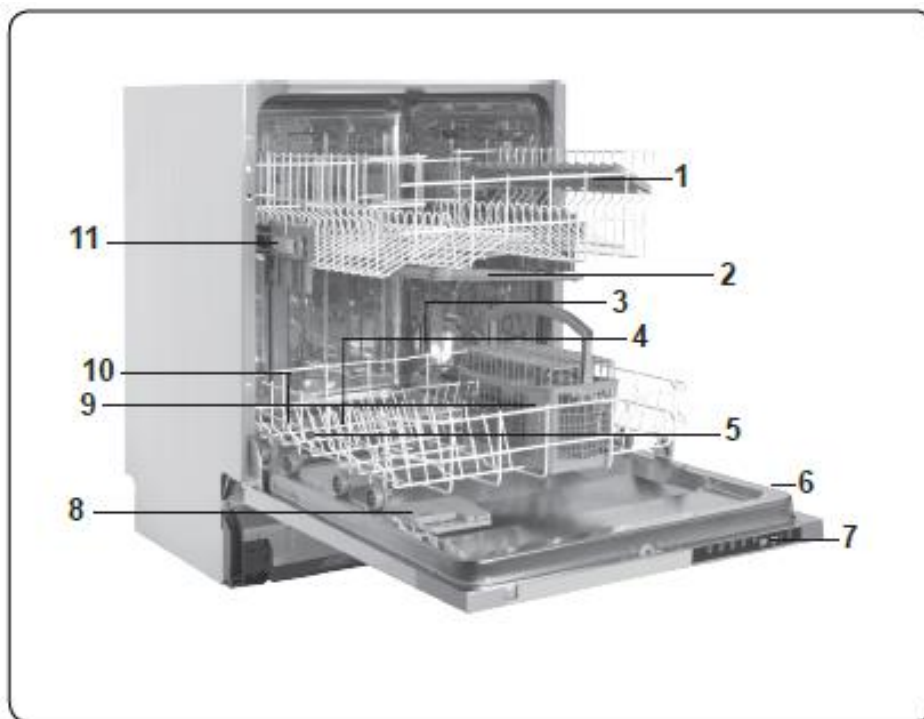
- Anumite componente ale mașinii și ambalajul sunt fabricate din materiale reciclabile.
- Componentele din plastic sunt marcate cu abrevieri internaționale: (>PE<, >PP< etc.)
- Componentele din carton sunt fabricate din hârtie reciclată. Acestea pot fi depozitate în containere pentru colectarea hârtiei în vederea reciclării.
- Materialele care nu constituie deșeuri menajere trebuie depuse la centrele de reciclare.
- Contactați centrele de reciclare corespunzătoare pentru a obține informații privind eliminarea diferitelor materiale.

#### AMBALAJELE ȘI PROTECȚIA MEDIULUI

Ambalajele protejează mașina împotriva eventualelor deteriorări care pot apărea în timpul transportului. Ambalajele sunt ecologice și reciclabile. Utilizarea materialelor reciclate reduce consumul de materie primă și producerea de deșeuri.



#### IV. DESCRIEREA PRODUSULUI



1. Coș superior cu rafturi
2. Braț de pulverizare superior
3. Coș inferior
4. Braț de pulverizare inferior
5. Filtre
6. Plăcuță cu date tehnice
7. Panou de comandă
8. Dozator pentru detergent și agent de clătire
9. Coș pentru tacâmuri
10. Compartiment pentru sare
11. Șină coș superior
12. Sistem de uscare activă: Acest sistem permite o uscare mai eficientă a vaselor.

### Caracteristici tehnice

Capacitate	13 seturi de vase
Dimensiuni (mm)	820-870 (mm)
Înălțime	598 (mm)
Lățime	570 (mm)
Adâncime	
Greutate netă	32.6 kg
Tensiune/frecvență de funcționare:	220-240 V 50 Hz
Curent electric total (A)	10(A)
Putere totală (W)	1900(W)
Presiune de alimentare cu apă	Maximă: 1 (Mpa) Minimă: 0,03 (Mpa)

## V. INSTALARE

### Poziționarea mașinii

- Atunci când poziționați mașina, alegeți un loc accesibil, astfel încât să puteți introduce vasele în mașină cu ușurință. Nu amplasați mașina în spații unde este posibil ca temperatura camerei să scadă sub 0 °C.
- Înainte de îndepărtarea ambalajului și poziționarea mașinii, citiți toate instrucțiunile de pe ambalaj.

Amplasați mașina aproape de un robinet de apă și de o scurgere. Luați în calcul faptul că racordurile nu vor fi modificate după ce poziționați mașina.

- Nu deplasați mașina ținând-o de ușa sau de panoul de comandă.
- Lăsați un spațiu suficient în jurul mașinii, pentru a o putea deplasa cu ușurință atunci când doriți să o curățați.
- Asigurați-vă că furtunul de alimentare cu apă și cel de evacuare nu sunt obstrucționate și că mașina nu este așezată pe cablul electric.
- Reglați picioarele mașinii, astfel încât aceasta să fie dreaptă și echilibrată. Mașina trebuie poziționată pe o suprafață orizontală. În caz contrar, mașina va fi instabilă, iar ușa acesteia nu se va închide corespunzător.
- Vă rugăm să instalați panoul decorativ conform indicațiilor din foaia de asamblare. În caz contrar, ușa s-ar putea să nu se deschidă corect și poate apărea o problemă de scurgere a aburului.

### Racordarea la sursa de apă

Vă recomandăm să instalați un filtru între sursa de alimentare cu apă și mașină, pentru a evita deteriorarea mașinii din cauza impurităților (nisip, rugină etc.) provenite din țevile instalației. De asemenea, instalarea unui filtru previne îngălbenirea și formarea depunerilor de calcar după spălare.

Atenție la inscripția de pe furtunul de alimentare cu apă! Dacă modelul este marcat cu 25°, temperatura apei poate fi de maximum 25 °C.

Pentru alte modele: Se preferă apa rece; temperatura maximă a apei calde 60 °C.

### Furtunul de alimentare cu apă

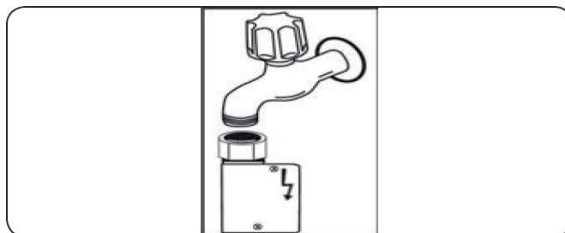


**AVERTISMENT:** Utilizați furtunul de alimentare cu apă furnizat împreună cu mașina. Nu utilizați un furtun vechi.

**AVERTISMENT:** Clătiți cu apă furtunul nou înainte de a-l monta.

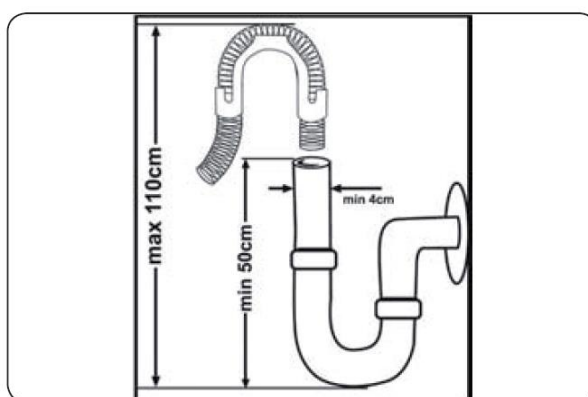
**AVERTISMENT:** Conectați furtunul de alimentare cu apă direct la robinet. Presiunea apei furnizate de robinet trebuie să fie de minimum 0,03 Mpa și de maximum 1 Mpa. Dacă presiunea apei depășește 1 Mpa, trebuie montată între furtun și robinet o supapă de reducere a presiunii.

**AVERTISMENT:** După realizarea racordurilor, deschideți complet robinetul și verificați dacă există scurgeri de apă. Închideți robinetul de apă după fiecare finalizare a unui program de spălare.



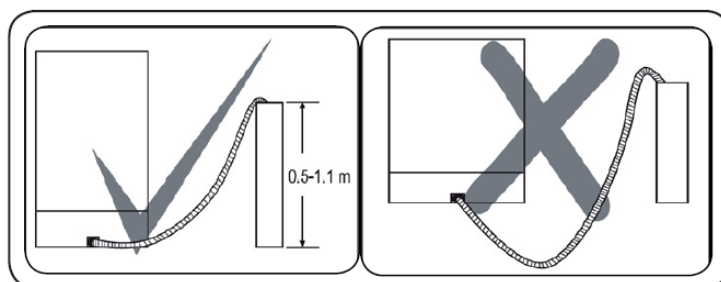
Mașina dumneavoastră dispune de un dispozitiv de siguranță Aquastop. Nu deteriorați acest dispozitiv și nu permiteți îndoirea sau răsucirea acestuia.

#### Furtunul de evacuare



Racordați furtunul de evacuare direct la scurgere sau la conducta de scurgere a chiuvetei. Acest racord trebuie să fie la o distanță de cel puțin 50 de cm și cel mult 110 cm de la nivelul podelei.

**IMPORTANT:** Dacă utilizați un furtun de evacuare cu o lungime de peste 4 metri, este posibil ca vasele să nu fie spălate corespunzător.



#### Conectarea la rețeaua electrică

**AVERTISMENT:** Mașina dumneavoastră este concepută să funcționeze la 220-240 V. Dacă tensiunea din locul de instalare este de 110 V, este necesară conectarea unui transformator de la 110 V la 220 V, 3000 W.

- Ștecărul prevăzut cu împământare al mașinii trebuie să fie conectat la o priză cu împământare corespunzătoare.
- În cazul în care împământarea nu este disponibilă, contactați un electrician calificat în vederea realizării unei instalații de împământare. În cazul utilizării fără împământare, nu ne asumăm răspunderea pentru pierderile suferite.
- Valoarea curentului siguranței electrice trebuie să fie de 10-16 A.

## VI. ÎNAINTE DE UTILIZAREA APARATULUI

### Pregătirea mașinii de spălat vase pentru prima utilizare

- Asigurați-vă că specificațiile instalației de alimentare cu apă și ale instalației electrice corespund valorilor indicate în cadrul instrucțiunilor privind instalarea mașinii.
- Îndepărtați toate ambalajele din interiorul mașinii.
- Setați nivelul agentului de dedurizare a apei.
- Umpleți compartimentul pentru agent de clătire.

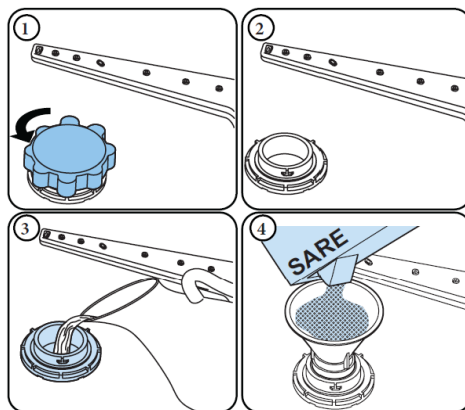
### Importanța dedurizării apei

Mașina de spălat vase funcționează în parametri optimi cu apă dedurizată. În caz contrar, pot rămâne reziduuri de calcar pe vase și pe componentele din interiorul mașinii. Acest lucru va afecta în mod negativ performanțele de spălare și clătire ale mașinii. Atunci când apa trece prin sistemul de dedurizare, ionii care formează duritatea apei sunt îndepărtați din apă, aceasta atingând calitatea necesară pentru o spălare optimă. În funcție de duritatea apei, acești ioni se acumulează rapid în interiorul sistemului de dedurizare a apei. Prin urmare, sistemul de dedurizare trebuie menținut funcțional, pentru a se asigura același nivel de performanță și la următoarele spălări. În acest scop, se utilizează sare de dedurizare specială pentru mașini de spălat vase.

Mașina poate folosi numai o sare specială pentru dedurizarea apei. Nu utilizați sare cu granulație redusă sau fină, care este ușor solubilă. Utilizarea altui tip de sare vă poate deteriora mașina.

### Umplerea compartimentului pentru sare

Pentru a adăuga sarea de dedurizare, deschideți capacul compartimentului pentru sare rotindu-l în sens antiorar. (1) (2) La prima utilizare umpleți compartimentul cu 1 kg de sare și apă (3) până aproape de preaplin. Dacă este disponibilă, utilizarea unei pâlnii (4) va ușura umplerea. Puneți capacul la loc și închideți-l. După 20-30 de cicluri adăugați sare în mașină până ce se umple (aprox. 1 kg).


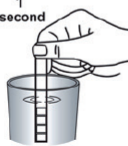
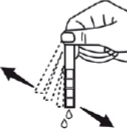
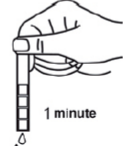
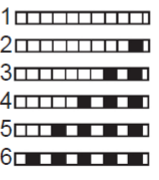


### Adăugați apă în compartimentul de sare numai la prima utilizare

Utilizați sare de dedurizare produsă special pentru utilizarea în mașinile de spălat vase. La pornirea mașinii de spălat vase, compartimentul de sare se umple cu apă, de aceea introduceți sarea de dedurizare înainte de pornirea mașinii.

Dacă sarea de dedurizare a trecut de nivelul de preaplin și nu pornițiediat mașina, rulați un scurt program de spălare pentru a proteja mașina contra coroziunii.

**Banda de testare (nu este livrată împreună cu produsul)**

Lăsați apa să curgă la robinet (1 min)	Țineți hârtia în apă (1 s)	Scuturați hârtia	Așteptați (1 min)	Setați nivelul de duritate a apei pe mașină.
				

**NOTĂ:** Nivelul 3 este setat implicit. Dacă apa este apă de fântână sau are o duritate peste 90 dF, recomandăm utilizarea unor dispozitive de filtrare și purificare.

**Tabel cu duritatea apei**

Nivel	German dH	Francez dF	Britanic dE	Indicator
1	0-5	0-9	0-6	Se afișează L1.
2	6-11	10-20	7-14	Se afișează L2.
3	12-17	21-30	15-21	Se afișează L3.
4	18-22	31-40	22-28	Se afișează L4.
5	23-34	41-60	29-42	Se afișează L5.
6	35-50	61-90	43-63	Se afișează L6.

**Sistemul de dedurizare a apei**

Mașina de spălat vase este echipată cu un sistem de dedurizare a apei provenite de la robinet. Pentru a afla nivelul de duritate a apei de la robinet, contactați compania de apă din zona dumneavoastră sau utilizați o bandă de testare (dacă este disponibilă).

**Setarea**

Pentru a modifica nivelul de sare, urmați pașii de mai jos:

- Deschideți ușa mașinii.
- Porniți mașina și apăsați butonul Program de îndată ce mașina este pornită.
- Țineți apăsat butonul Program până când „SL” dispăre.
- Mașina va afișa ultima setare.
- Setează nivelul apăsând butonul Program.
- Opriti mașina pentru a salva setarea.

**Utilizarea detergentului**

Folosiți numai detergenți concepuți special pentru mașini de spălat vase de uz casnic. Păstrați detergenții la loc uscat și răcoros, inaccessibil copiilor.

Adăugați detergentul recomandat pentru programul selectat pentru a asigura cea mai bună performanță. Cantitatea de detergent necesară depinde de ciclu, gradul de încărcare și nivelul de murdărire al vaselor.

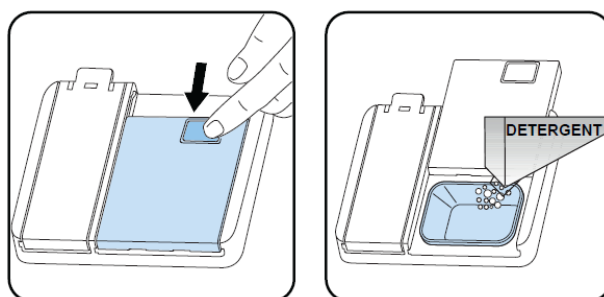
Nu introduceți în compartimentul de detergent o cantitate mai mare decât cea necesară; în caz contrar, pe pahare și vase pot rămâne urme albe sau un strat albastrui și se poate produce coroziunea sticlei. Utilizarea continuă a unei cantități prea mari de detergent poate produce deteriorarea mașinii.

Utilizarea unei cantități prea mici de detergent poate duce la o curățare nesatisfăcătoare și la urme albe la utilizarea apei dure.

Consultați instrucțiunile producătorului detergentului pentru informații suplimentare.

### Umplerea cu detergent

Apăsați încuietoarea pentru a deschide dozatorul și turnați detergentul înăuntru. Închideți capacul și apăsați-l până se blochează. Dozatorul trebuie reumplut imediat înainte de începerea fiecărui program. Dacă vasele sunt foarte murdare, adăugați detergent în compartimentul pentru detergent de prespălare.



### Folosirea detergenților combinați

Aceste produse trebuie utilizate conform instrucțiunilor producătorului.

Nu introduceți niciodată detergenți combinați în interiorul mașinii sau în coșul de tacâmuri.

Detergenții combinați conțin atât detergent cât și agent de clătire, înlocuitori pentru sare și componente suplimentare în funcție de combinație.

Vă recomandăm să nu folosiți detergenți combinați la programele scurte. Folosiți detergenți pulbere pentru astfel de programe.

Dacă întâmpinați probleme la utilizarea detergenților combinați, contactați producătorul respectiv.

Când încetați utilizarea detergenților combinați, asigurați-vă că setările pentru duritatea apei și aditivul de clătire sunt la valorile corecte.

### Utilizarea aditivului de clătire

Aditivul de clătire contribuie la uscarea vaselor fără urme sau pete. Aditivul de clătire este necesar pentru vesela care trebuie să nu aibă pete și pentru paharele transparente. Aditivul de clătire este eliberat automat în cursul fazei de clătire cu apă fierbinte. Dacă doza de aditiv de clătire este prea scăzută, pe vase rămân pete albe iar vasele nu se curăță complet.

Dacă doza este prea mare, veți vedea un strat albastrui pe sticlă și vase.

### Umplerea compartimentului de aditiv de clătire și setarea

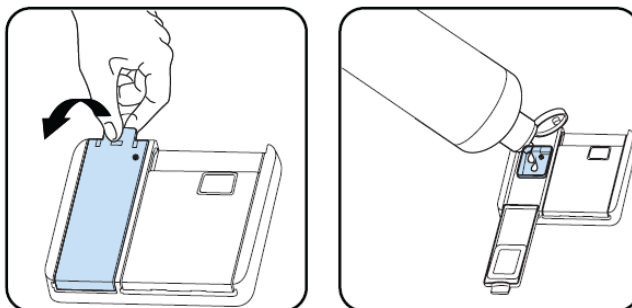
Pentru a umple compartimentul aditivului de clătire deschideți capacul acestuia. Umpleți compartimentul cu aditiv de clătire până la nivelul MAX și închideți capacul. Aveți grijă să nu umpleți prea mult compartimentul de aditiv de clătire și ștergeți aditivul vărsat alături.

**Pentru a modifica nivelul de aditiv de clătire urmați pașii de mai jos înainte de a porni mașina:**

- Deschideți ușa mașinii.

- Porniți mașina și apăsați butonul Program imediat ce mașina pornește.
- Mențineți apăsat butonul Program până ce dispăre „rA”. Setarea pentru aditivul de clătire urmează după setarea pentru duritate.
- Mașina va afișa ultima setare.
- Modificați nivelul apăsând butonul Program.
- Opriți mașina pentru a salva setarea. Setarea din fabrică este 4.

Dacă vasele nu se usucă în mod corespunzător sau prezintă pete, măriți nivelul. Dacă pe vase se formează pete albastre, micșorați nivelul.



Nivel	Doză de aditiv de luciu	Indicație
1	Aditivul de clătire nu este eliberat	pe afișaj apare „r1”.
2	1 Este livrată o doză	pe afișaj apare „r2”.
3	Sunt livrate 2 doze	Pe afișaj apare „r3”.
4	sunt livrate 3 doze	Pe afișaj apare „r4”.
5	sunt livrate 4 doze	Pe afișaj apare „r5”.



## VII. ÎNCĂRCAREA COȘURILOR MAȘINII DE SPĂLAT VASE

Pentru cele mai bune rezultate, urmați aceste îndrumări de încărcare.

Încărcarea mașinii de spălat vase până la capacitatea indicată de producător va contribui la economia de energie și apă.

Pre-clătirea manuală a vaselor conduce la un consum mărit de apă și energie și nu este recomandată. În coșul superior puteți plasa cești, pahare, cupe, farfurii mici, boluri etc. Nu rezemați paharele înalte unul de celălalt, deoarece sunt instabile și se pot deteriora.

La plasarea cupelor și paharelor cu picior, rezemați-le de marginea coșului sau de suport, nu de alte obiecte.

Așezați toate recipientele cum ar fi cești, pahare sau oale cu deschiderea în jos, pentru a evita colectarea apei în acestea. Dacă mașina este dotată cu un coș pentru tacâmuri, pentru cele mai bune rezultate se recomandă să utilizați grătarul pentru tacâmuri. Plasați pe grătarul inferior toate articolele mari (cratițe, oale, capace, farfurii, boluri etc.) și articolele foarte murdare.

Vesela și tacâmurile nu trebuie amplasate unele deasupra celorlalte.

**AVERTIZARE:** Aveți grijă să nu împiedicați rotirea brațelor de pulverizare.

**AVERTIZARE:** După încărcarea vaselor aveți grijă să nu împiedicați deschiderea dozatorului de detergent.

### Recomandări

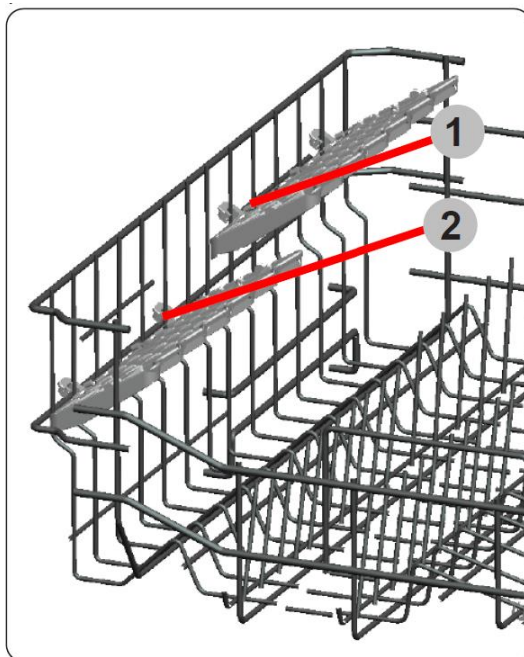
Îndepărtați reziduurile grosiere de pe vase înainte de a le așeza în mașină. Porniți mașina încărcată complet.

Nu supraîncărcați sertarele și nu plasați vasele în coșurile necorespunzătoare.

**AVERTIZARE:** Pentru evitarea posibilelor vătămări, plasați articolele cu mânere lungi și cuțitele ascuțite cu vârfurile în jos sau orizontal pe coșuri.

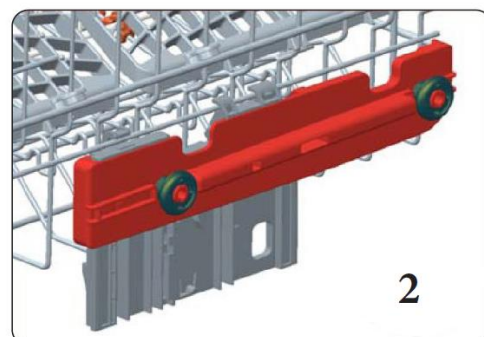
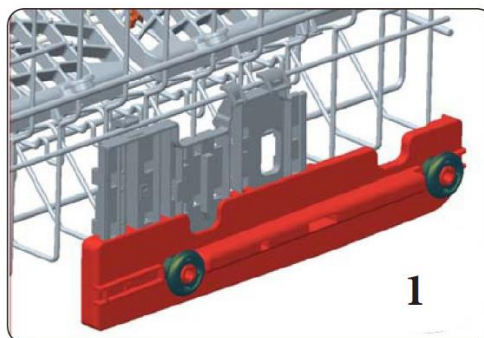
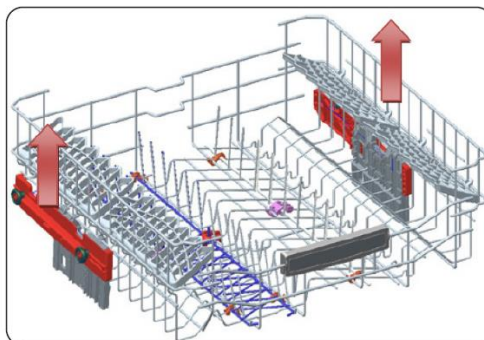
### Raft cu înălțime reglabilă

Rafturile reglabile pe înălțime permit amplasarea paharelor și a ceștilor pe sau sub rafturi. Rafturile pot fi reglate la 2 înălțimi diferite. Tacâmurile și ustensilele pot fi de asemenea amplasate pe orizontală pe rafturi.



### Reglarea înălțimii

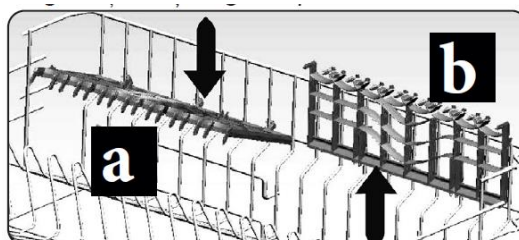
Coșul superior include un mecanism care permite reglarea înălțimii coșului în sus (1) sau în jos (2), fără să fie necesară îndepărtarea coșului. Țineți coșul de ambele laturi și trageți-l în sus sau împingeți-l în jos, asigurându-vă că ambele laturi ale coșului superior sunt în aceeași poziție.



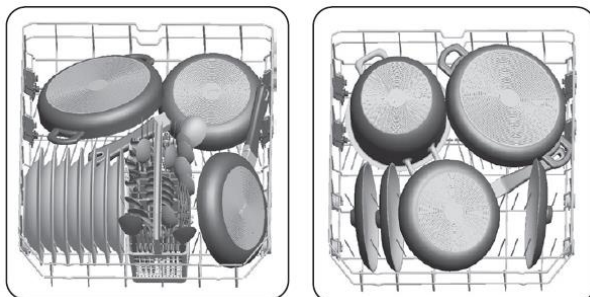
### Coș superior

#### Raft fix

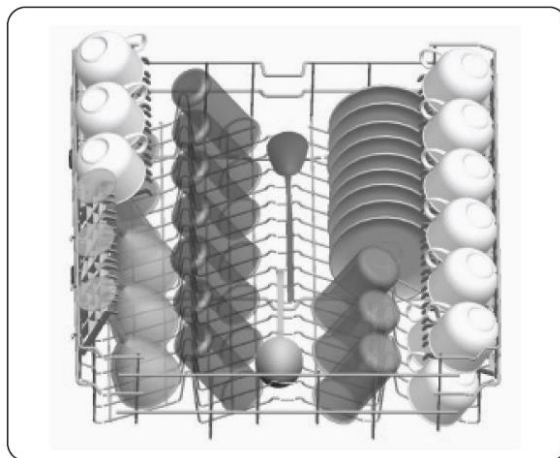
Rafturile coșului superior au două poziții: deschis (a) și închis (b). Puteți să așezați paharele pe rafturile de spălat. De asemenea, puteți așeza în lateral furculițele lungi, cuțitele și lingurile pe rafturi.



**Încărcări alternative ale coșului**  
**Coș inferior**

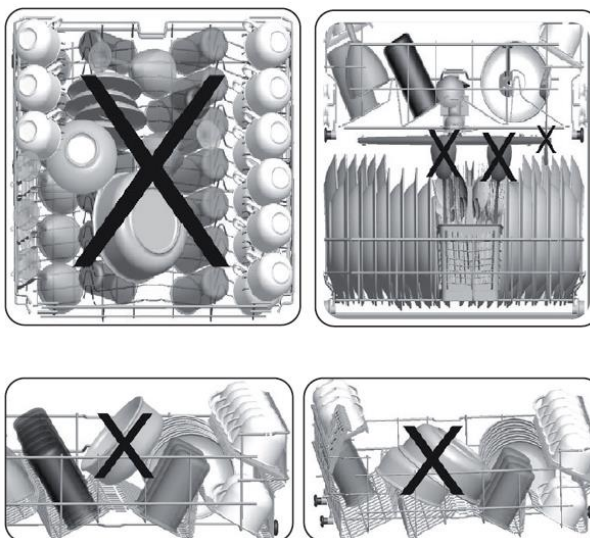


**Coș superior**



**Încărcări incorecte**

Încărcarea incorectă poate cauza performanțe reduse de spălare și de uscare. Urmați recomandările producătorului pentru rezultate satisfăcătoare.



**Articole inadecvate pentru spălarea la mașina de spălat vase**

- Scrum, resturi de lumânări, vopsea, substanțele chimice, materiale din fier- aliaj;
- Furculițe, linguri și cuțițe cu mâner din lemn, os fildeș sau obiecte lipite, obiecte pătate cu substanțe chimice abrazive, acide sau bazice.
- Componente plastice sensibile la temperatură, recipiente din cupru sau acoperite cu cositor.
- Obiecte din aluminiu și din argint.
- Anumite pahare delicate, porțelanuri ornamentale imprimare, anumite articole din cristal, tacâmuri lipite, pahare de cristal, tocătoare, obiecte fabricate din fibră sintetică.
- Obiecte absorbante precum bureți sau lavete de bucătărie.

**IMPORTANT:** Pe viitor, cumpărați articole de bucătărie compatibile cu mașina de spălat vase.

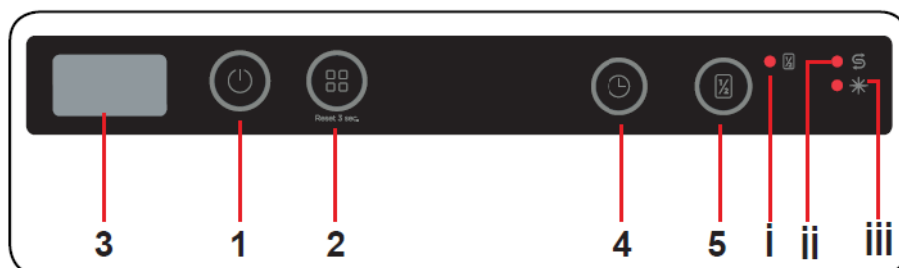
## VIII. TABEL DE PROGRAME

	P1	P2	P3	P4	P5	P6
Denumire program:	Eco	Smart 50°C - 70°C	Igienă 70°C	Super 50'	Rapid 30'	Prespălare
Tip de reziduuri:	Program standard pentru vase de uz zilnic, cu grad normal de murdărire, cu consum redus de energie și apă.	Program automat pentru vase foarte murdare.	Pentru vase foarte murdare ce necesită spălare igienică	Pentru vase de uz zilnic, cu un grad normal de murdărire, cu un program mai rapid.	Pentru vase puțin murdare și o spălare rapidă.	Pentru clătirea vaselor ce urmează a fi spălate ulterior
Nivel de murdărire:	Medie	Intensă	Intensă	Medie	Ușoară	Ușoară
"Cantitate de detergent: A: 25 cm <sup>3</sup> B: 15 cm <sup>3</sup> "	A	A	A	A	A	-
Durăta program (h:min):	03:25	01:25 - 01:57	02:07	00:50	00:30	00:15
Consum de energie (kWh/ciclu):	0.937	1.450 - 1.700	1.900	1.100	0.740	0.020
Consum de apă (l/ciclu):	12.0	11.9 - 17.2	16.0	12.0	12.4	4.5

- Durata programului se poate modifica în funcție de cantitatea de vase, temperatura apei, temperatura ambientă și funcțiile suplimentare selectate.
- Valorile furnizate pentru alte programe decât programul eco sunt doar orientative
- Programul ECO este adecvat pentru curățarea vasei cu grad normal de murdărire, pentru această utilizare fiind cel mai eficient program din punct de vedere al consumului de energie și apă, fiind utilizat pentru evaluarea conformității cu legislația europeană Ecodesign.
- Spălarea vasei în mașina de spălat vase de uz casnic de regulă consumă mai puțină energie și mai puțină apă în faza de spălare decât spălarea manuală atunci când mașina de spălat vase de uz casnic este utilizată conform indicațiilor producătorului.
- Utilizați numai detergent pulbere pentru programele scurte.
- Programele scurte nu includ uscarea.
- Pentru a grăbi uscarea vă recomandăm să deschideți puțin ușa după finalizarea unui ciclu.
- Puteți accesa baza de date a produselor, unde sunt stocate datele referitoare la model, prin citirea codului QR de pe eticheta energetică.

**NOTĂ:** Conform regulamentelor 1016/2010 și 1059/2010, valorile consumului de energie al programului Eco pot fi diferite. Prezentul tabel este conform cu reglementările 2019/2022 și 2017/2022.

## IX. PANOUL DE COMANDĂ



1. Butonul Pornit/Oprit
2. Buton de selectare a programului
3. Afișaj
4. Buton de temporizare
5. Buton Încărcare la jumătate
  - i. LED indicator Încărcare la jumătate
  - ii. Indicator de sare
  - iii. Indicator de aditiv de clătire

### 1. Butonul Pornit/Oprit

Porniți mașina apăsând butonul Pornit/Oprit Când mașina este pornită, afișajul (3) indică „--“.

### 2. Buton de selectare a programului

Cu ajutorul butonului de Selectare a programului, selectați un program adecvat pentru vasele dvs. Programul va începe automat la închiderea ușii.

### 3. Afișaj

În timpul funcționării afișajul indică alternativ numărul programului selectat și durata totală și durata rămasă.

### 4. Buton de temporizare

Apăsați butonul Temporizare pentru a amâna pornirea programului selectat pe o durată între 1 oră și 19 ore. Prin apăsarea butonului o singură dată se va amâna începerea programului cu 1 oră, iar

apăsarea în continuare va mări durata de temporizare. Apăsați butonul Temporizare pentru a modifica sau anula pornirea temporizată. Dacă opriți mașina în timp ce temporizarea este activată, durata de temporizare este amânată.

### 5. Butonul Încărcare la jumătate

Apăsați butonul Încărcare la jumătate pentru a reduce durata programului selectat, reducând astfel consumul de energie și apă. Când este selectată opțiunea Încărcare la jumătate, se aprinde LED-ul Încărcare la jumătate (i).

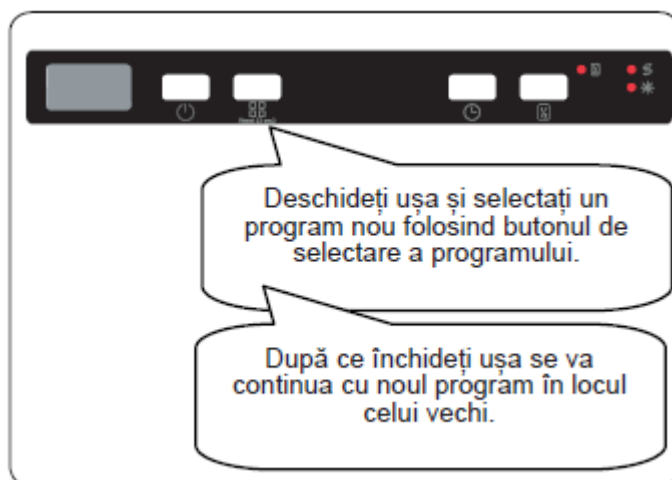
**NOTĂ:** Dacă decideți să nu porniți programul respectiv, consultați secțiunile „Schimbarea unui program” și „Anularea unui program”.

**NOTĂ:** Dacă sarea de dedurizare este insuficientă, se va aprinde indicatorul de avertizare Lipsă sare pentru a indica faptul că trebuie umplut compartimentul de sare.

**NOTĂ:** Dacă aditivul de clătire este insuficient, se va aprinde indicatorul de avertizare Lipsă de aditiv de clătire (iii) pentru a indica faptul că trebuie umplut compartimentul de aditiv de clătire.

### Schimbarea unui program

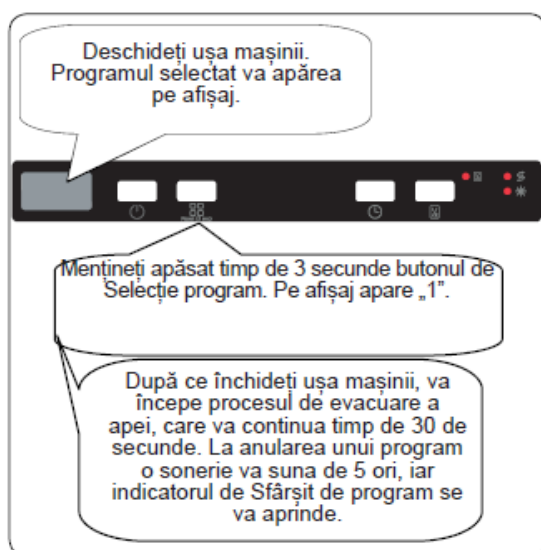
Urmați pașii de mai jos dacă doriți să modificați un program în timpul funcționării.



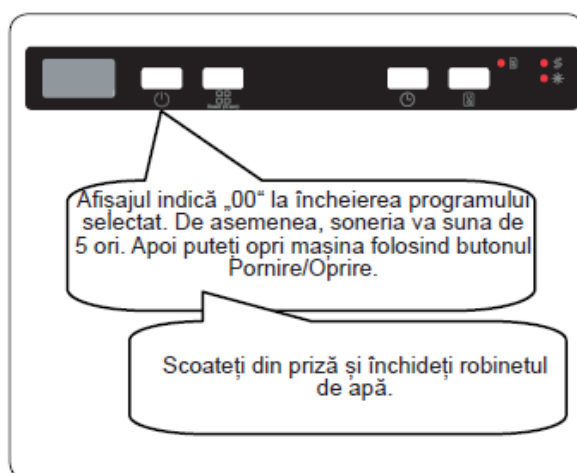
**NOTĂ:** La început deschideți ușa puțin, pentru a evita curgerea apei, dacă doriți să opriți un program de spălare înainte de finalizare.

### Anularea unui program

Urmați pașii de mai jos dacă doriți să anulați un program în timpul funcționării.



### Oprirea mașinii



**NOTĂ:** Nu deschideți ușa înainte de încheierea programului.

**NOTĂ:** Dacă ușa mașinii este deschisă sau alimentarea este întreruptă în timpul efectuării unui program, acesta va continua la închiderea ușii sau la reluarea alimentării.

**NOTĂ:** Dacă ușa mașinii este deschisă sau alimentarea este întreruptă în timpul procesului de uscare, programul va fi întrerupt. Mașina va fi acum gata pentru selectarea unui nou program.

### Setarea sunetului de avertizare

Pentru a modifica volumul sunetului soneriei, urmați pașii de mai jos:

1. Deschideți ușa și apăsați simultan, timp de 3 secunde, butoanele Program (2) și Temporizare (4).
2. Când se recunoaște setarea sunetului, soneria emite un sunet prelung iar mașina va afișa nivelul setat cel mai recent, de la „S0” la „S3”.
3. Pentru a reduce volumul apăsați butonul Program (2). Pentru a mări volumul apăsați butonul Temporizare (4).
4. Pentru a salva volumul sonor selectat opriți mașina.  
„S0” înseamnă că toate sunetele sunt oprite. Setarea din fabrică este „S3”.

### Modul Economie de energie

Pentru a activa sau a dezactiva modul Economie de energie, urmați pașii de mai jos:

1. Deschideți ușa și apăsați simultan butoanele Temporizare (4) și Încărcare la jumătate (5) timp de 3 secunde.
2. După 3 secunde mașina va afișa ultima setare „IL1” sau „IL0”.
3. La activarea modului Economie de energie se afișează „IL1”. În acest mod, luminile din interior se opresc la 4 minute după deschiderea ușii, iar mașina se va opri după 15 minute de inactivitate, pentru a economisi energie.



4. La dezactivarea modului Economie de energie se afișează „ILO”. Dacă modul Economie de energie este dezactivat, luminile din interior rămân aprinse cât timp ușa este deschisă, iar mașina va fi mereu pornită dacă nu este oprită de utilizator.

5. Pentru a salva setarea selectată opriți mașina.

Modul Economie de energie este activat din fabrică.

## X. CURĂȚARE ȘI ÎNTREȚINERE

Curățarea mașinii de spălat vase este importantă pentru menținerea duratei de funcționare utilă a mașinii.

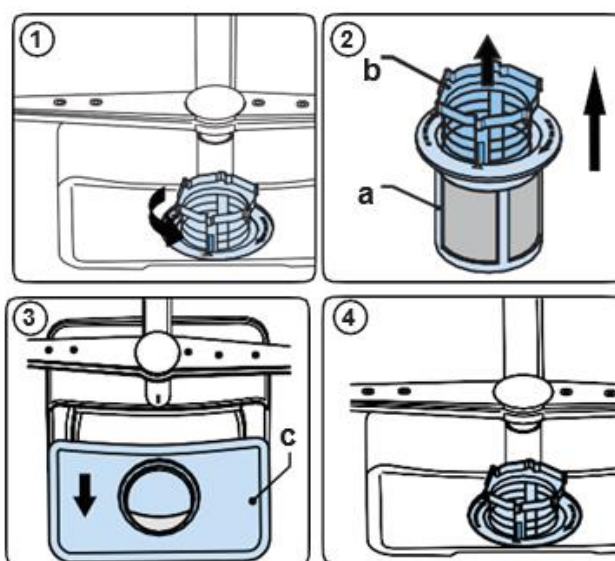
Aveți grijă ca setarea de dedurizare a apei (dacă este disponibilă) să fie efectuată corect și ca o cantitate corectă de detergent să fie folosită pentru a preveni acumularea de tartru. Reumpleți compartimentul de sare atunci când lumina senzorului de sare se aprinde. În mașina de spălat vase se pot acumula în timp ulei și tartru. Dacă acest lucru se întâmplă:

- Umpleți compartimentul pentru detergent dar nu încărcăți vase în mașină. Selectați un program care funcționează la temperatură înaltă și rulați-l cu mașina fără vase. Dacă acest lucru nu curăță suficient mașina de spălat vase, utilizați un agent de curățare special conceput pentru utilizare în mașina de spălat vase.
- Pentru a prelungi perioada de funcționare a mașinii de spălat vase, curățați-o cu regularitate o dată pe lună.
- Ștergeți cu regularitate etanșările ușilor cu o lavetă umedă pentru a îndepărta reziduurile acumulate și obiectele străine.

### Curățarea mașinii și a filtrelor

Curățați filtrele și brațele de pulverizare cel puțin o dată pe săptămână. Dacă rămân resturi de alimente pe filtrul grosier sau pe filtrul fin, îndepărtați-le și curățați bine filtrele cu apă.

- d) Micro-filtru
- e) Filtru grosier
- f) Filtru metalic

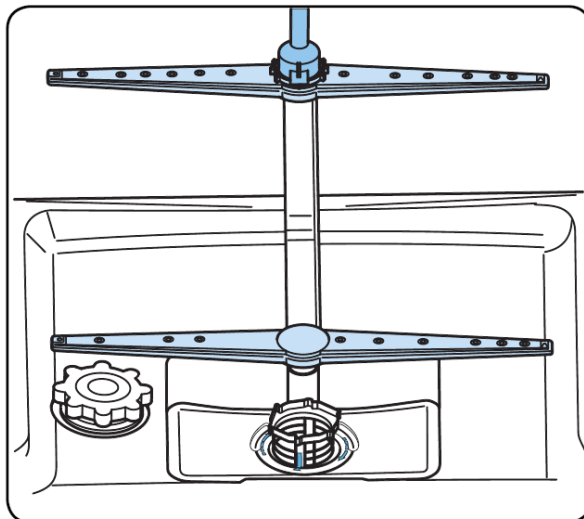


Pentru a demonta și curăța ansamblul filtrelor, rotiți-l în sens contrar acelor de ceasornic și scoateți-l prin ridicare (1). Scoateți filtrul grosier din micro-filtru (2). Apoi scoateți filtrul metalic (3). Clătiți filtrele cu multă apă și asigurați-vă că ați îndepărtat toate resturile. Reasamblați filtrele. Introduceți ansamblul filtrelor în locul acestuia și rotiți-l în sensul acelor de ceasornic (4).

- Nu utilizați mașina de spălat vase fără ansamblul filtrelor.
- Montarea incorectă a ansamblului filtrelor va reduce eficiența spălării.
- Curățarea filtrelor este foarte importantă pentru funcționarea corespunzătoare a mașinii.

### Brațele de pulverizare

Asigurați-vă că orificiile brațelor de pulverizare nu sunt înfundate și că pe brațele de pulverizare nu sunt lipite resturi de alimente. Dacă orificiile brațelor sunt înfundate, scoateți brațele și curățați-le sub jet de apă. Pentru a scoate brațul de pulverizare superior, desfaceți piulița de fixare a acestuia prin rotire în sensul acelor de ceasornic și trageți de braț în jos. Asigurați-vă că piulița de fixare este strânsă corespunzător atunci când montați la loc brațul de pulverizare superior.



### Pompa de evacuare

Reziduurile mari de alimente sau obiectele străine neoprite de filtre pot bloca pompa de apă uzată. Apa de clătire se va afla atunci deasupra filtrului.

### Avertizare Risc de tăiere!

La curățarea pompei de apă uzată aveți grijă să nu vă răniți cu sticlă spartă sau obiecte ascuțite.

În acest caz:

1. În primul rând, deconectați întotdeauna aparatul de la rețeaua de alimentare.
2. Scoateți coșurile.
3. Scoateți filtrele.
4. Scoateți apa folosind un burete, dacă este necesar.
5. Verificați zona și îndepărtați orice obiecte străine.
6. Instalați filtrele.
7. Reintroduceți coșurile.

## XI. REMEDIEREA PROBLEMELOR

PROBLEMĂ	CAUZĂ POSIBILĂ	REMEDIERE
Programul nu pornește.	Mașina de spălat vase nu este conectată la sursa de alimentare.	Conectați mașina de spălat vase la sursa de alimentare.
	Mașina de spălat vase nu este pornită.	Porniți mașina de spălat vase prin apăsarea butonului de pornire/oprire.
	Siguranța este arsă.	Verificați siguranțele instalației electrice.
	Robinetul de apă este închis.	Deschideți robinetul de apă.
	Ușa mașinii de spălat vase este deschisă.	Închideți ușa mașinii de spălat vase.
	Furtunul de alimentare cu apă și filtrele mașinii sunt înfundate.	Verificați furtunul de alimentare cu apă și filtrele mașinii și asigurați-vă că acestea nu sunt înfundate.
Apa rămâne în interiorul mașinii.	Furtunul de evacuare a apei este înfundat sau răsucit.	Verificați furtunul de evacuare a apei și curățați-l sau dezrăsuciți-l.
	Filtrele sunt înfundate.	Curățați filtrele.
	Programul nu este încă finalizat.	Așteptați până la finalizarea programului.
Mașina se oprește în timpul spălării.	Înterupere a furnizării de energie electrică.	Verificați sursa de alimentare cu energie electrică.
	Problemă a alimentării cu apă.	Verificați robinetul de apă.
Mașina trepidează și se aud bătăi în timpul spălării.	Brațul de pulverizare lovește vasele din coșul inferior.	Rearanjați sau scoateți obiectele care blochează brațul de pulverizare.
Resturi parțiale de alimente rămân pe vase.	Vasele sunt așezate incorect în mașină, apa pulverizată nu a ajuns în locurile respective.	Nu supraîncărcați coșurile.
	Vasele se sprijină unele de celelalte.	Așezați vasele conform instrucțiunilor din secțiunea privind încărcarea coșurilor.
	Nu se utilizează detergent suficient.	Utilizați cantitatea corespunzătoare de detergent, așa cum este indicat în tabelul cu programe.
	Este selectat un program de spălare nepotrivit.	Utilizați informațiile din tabelul cu programe pentru a selecta cel mai potrivit program de spălare.
	Brațele de pulverizare sunt înfundate cu resturi de alimente.	Curățați orificiile din brațele de pulverizare cu ajutorul unor obiecte subțiri.
	Pompa de evacuare a apei sau filtrele sunt înfundate sau filtrul este montat necorespunzător.	Asigurați-vă că furtunul de evacuare și filtrele sunt montate corect.

PROBLEMĂ	CAUZĂ POSIBILĂ	REMEDIERE
Rămân pete albe pe vase.	Nu se utilizează detergent suficient.	Utilizați cantitatea corespunzătoare de detergent, așa cum este indicat în tabelul cu programe.
	Agentul de clătire și/sau de agentul de dedurizare nu sunt dozați în cantitate suficientă.	Creșteți nivelul agentului de clătire și/sau al agentului de dedurizare a apei.
	Nivelul de duritate a apei este ridicat.	Creșteți nivelul agentului de dedurizare a apei și adăugați sare.
	Capacul compartimentului pentru sare nu este închis corespunzător.	Asigurați-vă că ați închis corespunzător capacul compartimentului pentru sare.
Vasele nu se usucă.	Funcția de uscare nu este selectată.	Selectați un program care să includă funcția de uscare.
	Nivelul de dozare a agentului de clătire este prea scăzut.	Creșteți nivelul de dozare a agentului de clătire.
Se formează pete de rugină pe vase.	Vasele din inox sunt de slabă calitate.	Utilizați numai vase rezistente la spălare în mașina de spălat vase.
	Nivel ridicat de sare în apă.	Reglați nivelul durității apei cu ajutorul tabelului privind duritatea.
	Capacul compartimentului pentru sare nu este închis corespunzător.	Asigurați-vă că ați închis corespunzător capacul compartimentului pentru sare.
	Ați vărsat prea multă sare în mașina de spălat vase.	Utilizați o pâlnie atunci când umpleți compartimentul pentru sare.
	Împământare necorespunzătoare.	Apelați imediat la un electrician calificat.
Rămâne detergent în compartimentul pentru detergent.	Compartimentul a fost ud în momentul adăugării detergentului.	Asigurați-vă că, înainte de utilizare, compartimentul pentru detergent este uscat.

## CODURI DE EROARE ȘI SOLUȚII

COD DEFECTIUNE	DEFECTIUNE POSIBILĂ	CE TREBUIE FĂCUT
FF	Defecțiune la sistemul de admisie a apei	Verificați ca robinetul de admisie a apei să fie deschis și apa să curgă.
		Demontați furtunul de admisie de la robinet și curățați filtrul furtunului.
		Dacă eroarea continuă, apălați la service.
F5	Defecțiune la sistemul de presiune	Apelați la service.
F3	Admisie continuă de apă	Închideți robinetul și apălați la service.
F2	Imposibilitatea evacuării apei	Furtunul sau filtrele de evacuare pot fi înfundate.
		Anulați programul.
		Dacă eroarea continuă apălați la service.
F8	Eroare încălzire	Apelați la service.
F1	Revărsare de preaplin	Scoateți mașina din priză și închideți robinetul.
		Apelați la service.
FE	Placă electronică defectă	Apelați la service.
F7	Suprîncălzire	Apelați la service.
F6	Senzor încălzire defect	Apelați la service.
HI	Defecțiune de înaltă tensiune	Apelați la service.
LO	Defecțiune de joasă tensiune	Apelați la service.

## XII. INFORMAȚII PRACTICE

1. Atunci când nu utilizați mașina:
  - Deconectați ștecărul de la sursa de alimentare și închideți robinetul.
  - Lăsați ușa întredeschisă pentru a evita acumularea de mirosuri neplăcute.
2. Activați funcția de uscare pentru a îndepărta picăturile de apă.
3. Puneți vasele în mașină în mod corespunzător, pentru a obține un consum de energie redus și pentru eficientizarea spălării și uscării. Pentru informații suplimentare, consultați informațiile din tabelul cu programe.
4. Clătiți vasele murdare înainte de a le introduce în mașina de spălat vase.
5. Utilizați programul de prespălare numai atunci când este necesar.
6. Nu poziționați mașina în apropierea unui frigider, deoarece aceasta funcționează la temperaturi ridicate.
7. Dacă mașina se află într-un spațiu în care există riscul de îngheț, opriți robinetul de apă, deconectați furtunul de la robinet și evacuați complet apa din furtun și din mașină.

### **SERVICE ȘI ASISTENȚĂ PENTRU CLIEȚI**

Utilizați numai piese de schimb originale.

Când contactați centrul nostru de service autorizat, asigurați-vă că aveți la îndemână următoarele informații: Denumirea modelului și numărul de serie.

Informațiile pot fi găsite pe plăcuța cu date tehnice. Acestea pot suferi modificări fără o notificare prealabilă.

### **DATE TEHNICE**

Informațiile tehnice se află pe plăcuța cu date tehnice a aparatului și pe eticheta energetică. Codul QR de pe eticheta energetică furnizată împreună cu aparatul oferă un link web către informațiile din baza de date EPREL cu privire la performanțele aparatului.

Păstrați eticheta energetică pentru consultări ulterioare, împreună cu manualul de utilizare și cu toate celelalte documente furnizate împreună cu acest aparat.

De asemenea, puteți găsi aceleași informații în baza de date EPREL, folosind link-ul <https://eprel.ec.europa.eu> și denumirea modelului o găsiți pe plăcuța cu date tehnice a aparatului.

Pentru a accesa informațiile despre produsul Dvs în portalul EPREL, puteți scana codurile de mai jos:



Vă mulțumim pentru achiziționarea acestui produs! Dacă aveți nevoie de asistență în ceea ce privește produsul dumneavoastră, vizitați site-ul nostru web utilizând linkurile de mai jos:

**Manuale de utilizare:** <https://www.heinner.ro>

**Informații referitoare la service:** <https://www.heinner.ro>





### **MASURI PENTRU PROTECTIA MEDIULUI**

Va informam ca persoanele fizice au urmatoarele obligatii prin legislatia specifica privind protectia mediului si regimul deseurilor:

- Deseurile de echipamente electrice si electronice (DEEE), pot contine substante periculoase pentru mediu si sanatatea umana. Conform OUG 5/2015, exista obligativitatea predarii acestora, pentru tratarea corespunzatoare si valorificarea componentelor reciclabile. Societatea Network One Distribution S.R.L. este platitoare de taxa de "timbru verde" pentru fiecare Echipament Electric si Electronic (EEE) pe care il pune pe piata. Acest cost asigura tratarea ulterioara a echipamentelor uzate colectate. Din acest motiv, odata ce devine deseu, produsul EEE poate fi predat gratuit operatorului Dvs. de salubritate, la magazine atunci cand achizitionati alt echipament similar, sistemul "unul la unu" sau la punctul de colectare organizat de Primaria Sectorului / localitatii Dvs.
- Simbolul (marcajul) aplicat produselor, care indica faptul ca deseurile DEEE, bateriile si acumulatorii - fac obiectul unei colectari separate, il reprezinta o pubea barata cu o cruce.



#### ***Aceste masuri vor ajuta la protejarea mediului***

Societatea Network One Distribution S.R.L. este inregistrata in Registrul de punere pe piata a echipamentelor electrice si electronice, avand numarul de inregistrare: RO-2016-03-EEE-0201-IV. De asemenea, au fost intocmite si sunt gestionate: Registrul de Retragere EEE si Registrul de Rechemare EEE, in conformitate cu HG 322/2013. Totodata societatea este inregistrata in Registrul de punere pe piata a bateriilor, avnd numarul de inregistrare: RO-2011-03-B&A-0283.

Conformitatea cu directiva RoHS: Produsul pe care l-ati cumparat este conform cu Directiva RoHS UE (2011/65/UE). Nu contine materialele daunatoare si interzise specificate in Directiva.

**Va multumim ca participati alaturi de noi la protejarea mediului si a sanatatii umane!**



**HEINNER** este marcă înregistrată a companiei **Network One Distribution SRL**. Celelalte branduri și denumirile produselor sunt mărci de comerț sau mărci de comerț înregistrate ale respectivilor deținători.

Nicio parte a specificațiilor nu poate fi reprodusă sub nicio formă și prin niciun mijloc, nici utilizată pentru obținerea unor derivate precum traduceri, transformări sau adaptări, fără consimțământul prealabil al companiei NETWORK ONE DISTRIBUTION.

Copyright © 2013 Network One Distribution. Toate drepturile rezervate.

[www.heinner.com](http://www.heinner.com), <http://www.nod.ro>



Acest produs este proiectat și realizat în conformitate cu standardele și normele Comunității Europene.

Importator: **Network One Distribution**

Str. Marcel Iancu, nr. 3-5, București, România

Tel: +40 21 211 18 56, [www.heinner.com](http://www.heinner.com), [www.nod.ro](http://www.nod.ro)