

# MICROWAVE OVEN

Model:

HMW-MD20IVWH



- Microwave oven
- Total capacity: 19L

**HEINNER**

## 1. INTRODUCTION

Please read the instructions carefully and keep the manual for future information.

This manual is designed to give all necessary instructions concerning installation, use and maintenance of the unit. In order to operate the unit correctly and safely, please read this instruction manual carefully before installation and use.

## 2. CONTENT OF YOUR PACKAGE

- ➔ **Freestanding microwave oven**
- ➔ **User manual**
- ➔ **Warranty card**

## 3. CONTENT OF YOUR PACKAGE

### GENERAL

**WARNING: DO NOT OPERATE THE OVEN WITHOUT ANY LIQUID OR FOOD INSIDE THE OVEN. THIS WOULD DAMAGE THE OVEN.**

**WARNING:** If the door or door seals are damaged, the oven must not be operated until it has been repaired by a trained person.

**WARNING:** It is hazardous for anyone other than a trained person to carry out any service or repair operation, which involves the removal of any cover, which gives protection against exposure to microwave energy. **WARNING:** Liquids or other food must not be heated in sealed containers since they are liable to explode but it is explosive. In the event of a leak due to damage of the cooler elements, move your fridge away from open flames or heat sources and ventilate the room where the appliance is located for a few minutes.

1. Only use utensils that are suitable for use in microwave ovens.
2. Metallic containers for food and beverages are not allowed during microwave cooking.
3. When heating food in plastic or paper containers, keep an eye on the oven due to the possibility of ignition.
4. The microwave oven is intended for heating food and beverages. Drying of food or clothing and heating of warming pads, slippers, sponges, damp cloth and similar may lead to risk of injury, ignition or fire.
5. If smoke is observed, switch off or unplug the appliance and keep the door closed in order to stifle any flames microwave heating of beverages can result in delayed eruptive boiling, therefore care has to be taken when handling the container.
6. The contents of feeding bottles and baby food jars are to be stirred or shaken and the temperature is to be checked before consumption, in order to avoid burns.
7. Eggs in their shell and whole hard-boiled eggs shall not be heated in microwave ovens since they may explode, even after microwave heating has ended.

8. Failure to maintain the oven in a clean condition could lead to deterioration of the surface that could adversely affect the life of the appliance and possibly result in a hazardous situation.
9. The appliance must not be placed in a cabinet.
10. Care should be taken not to displace the turntable when removing containers from the appliance.
11. The appliance shall not be cleaned with a steam cleaner.
12. The appliance must not be installed equal to or higher than 900 mm above the floor. Minimum height of free space necessary above the top surface of the oven: See the installation drawing.

**WARNING:** When the appliance is operated in combination mode, children should only use the oven under adult supervision due to the temperatures generated.

13. If the supply cord is damaged, it must be replaced by the manufacturer or its service agent or a similarly qualified person in order to avoid a hazard.
14. This appliance can be used by children aged from 8 years and above and persons with reduced physical, sensory or mental capabilities or lack of experience and knowledge if they have been given supervision or instruction concerning use of the appliance in a safe way and understand the hazards involved.
15. Children shall not play with the appliance.
16. Cleaning and user maintenance shall not be done by children without supervision.
17. The plug must be remained easily accessible after installation of the appliance.
18. This appliance must not be placed in a cabinet with a door.
19. This product internal light source LED light on < 60lm.
20. During use the appliances become hot. Care should be taken to avoid touching heating elements inside the oven.

**WARNING:** Accessible parts may become hot during use. Young children should be kept away.

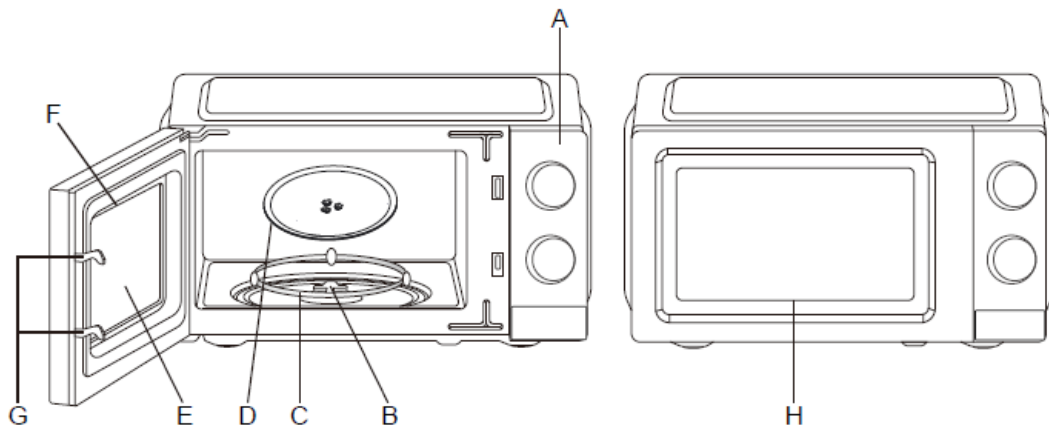
**WARNING:** The appliance and its accessible parts become hot during use.

21. Care should be taken to avoid touching heating elements.
22. Children less than 8 years of age shall be kept away unless continuously supervised.
23. Do not use harsh abrasive cleaners or sharp metal scrapers to clean the oven door glass since they can scratch the surface, which may result in shattering of the glass.
24. The appliance must not be installed behind a decorative door in order to avoid overheating. This appliance can be used by children aged from 8 years and above and persons with reduced physical, sensory or mental capabilities or lack of experience and knowledge if they have been given supervision or instruction concerning use of the appliance in a safe way and understand the hazards involved. Children shall not play with the appliance. Cleaning and user maintenance shall not be done by children without details indicating the correct installation of the shelves.

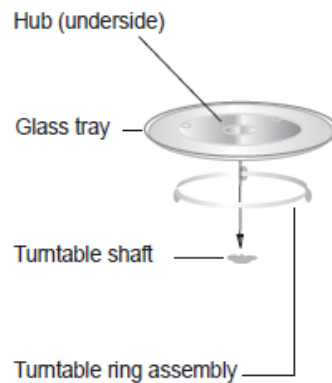
## NOTES:

- Please read the instruction manual carefully before installing and using your appliance. We are not responsible for the damage which occurred due to misuse.
- Follow all instructions on your appliance and instruction manual and keep this manual in a safe place to resolve the problems that may occur in the future.
- This appliance is produced to be used in homes and it can only be used in domestic environments and for specified purposes. It is not suitable for commercial or common use. Such use will cause the guarantee of the appliance to be cancelled and our company will not be responsible for losses incurred.
- This appliance is produced to be used in houses and it is only suitable for cooling / storing food. It is not suitable for commercial or common use and/or for storing substances except for food. Our company is not responsible for losses to be incurred in the contrary case.

## 4. PRODUCT DESCRIPTION



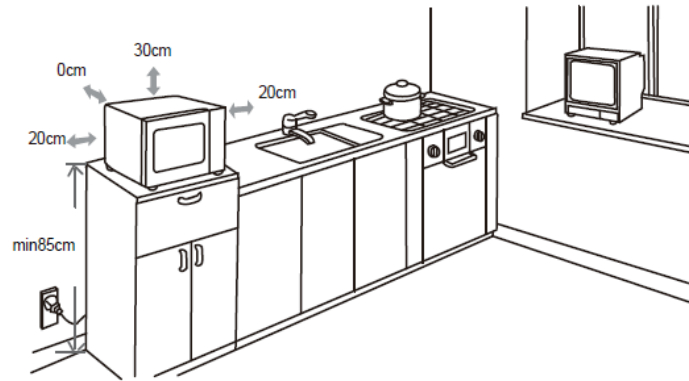
- A. Control panel
- B. Turntable shaft
- C. Turntable ring assembly
- D. Glass tray
- E. Observation window
- F. Door assembly
- G. Safety interlock system
- H. PET door



- a. Never place the glass tray upside down. The glass tray should never be restricted.
- b. Both glass tray and turntable ring assembly must always be used during cooking.
- c. All food and containers of food are always placed on the glass tray for cooking.
- d. If glass tray or turntable ring assembly cracks or breaks, contact your nearest authorized service center.

## 5. INSTALLATION

1. Select a level surface that provide enough open space for the intake and/or outlet vents.

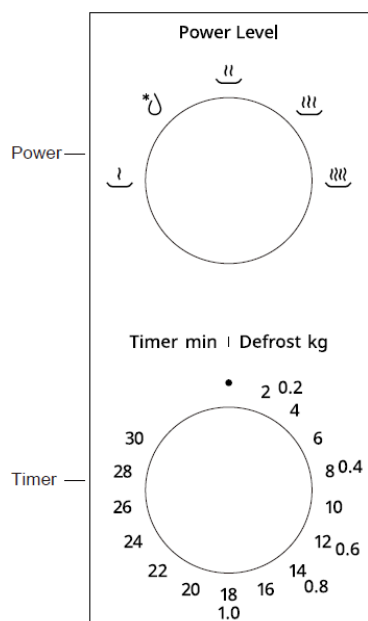


- (1) The minimum installation height is 85cm.
  - (2) The rear surface of appliance shall be placed against a wall. Leave a minimum clearance of 30cm above the oven, a minimum clearance of 20cm is required between the oven and any adjacent walls.
  - (3) Do not remove the legs from the bottom of the oven.
  - (4) Blocking the intake and/or outlet openings can damage the oven.
  - (5) Place the oven as far away from radios and TV as possible. Operation of microwave oven may cause interference to your radio or TV reception.
2. Plug your oven into a standard household outlet.






Be sure the voltage and the frequency is the same as the voltage and the frequency on the rating label.

**WARNING:** Do not install oven over a range cooktop or other heat-producing appliance. If installed near or over a heat source, the oven could be damaged and the warranty would be void.

## 6. OPERATION OF CONTROL PANEL



- 1.To set cooking power by turning the power knob to desired level.
- 2.To set the time of cooking by turning the timer knob to desired time per your food cooking guide.
- 3.The microwave oven will automatically start cooking after the power level and time are set.
- 4.When the cooking time is up, the unit will "Dong" to stop.
- 5.If the unit is not in use, always set time to "0".

Function/Power	Output Power	Application
	17% power output	Soften ice cream
	33% power output	Soup stew, soften butter or defrost
	55% power output	Stew, fish
	77% power output	Rice, fish, chicken, ground meat
	100% power output	Reheat, milk, boil water, vegetablea, beverage

**Notice: When removing food from the oven, please ensure that the oven power is switched off by turning the timer switch to 0. Failure to do so, and operating the microwave oven without food in it, can result in overheating and damage to the magnetron.**

## USTENSILS GUIDLINE

Materials you can use in microwave oven:

Utensils	Remarks
Browning dish	Follow manufacturer's instructions. The bottom of browning dish must be at least 3/16 inch (5mm) above the turntable. Incorrect usage may cause the turntable to break.
Dinnerware	Microwave-safe only. Follow manufacturer's instructions. Do not use cracked or chipped dishes.
Glass jars	Always remove lid. Use only to heat food until just warm. Most glass jars are not heat resistant and may break.
Glassware	Heat-resistant oven glassware only. Make sure there is no metallic trim. Do not use cracked or chipped dishes.
Oven cooking bags	Follow manufacturer's instructions. Do not close with metal tie. Make slits to allow steam to escape.
Paper plates and cups	Use for short-term cooking/warming only. Do not leave oven unattended while cooking.
Paper towels	Use to cover food for reheating and absorbing fat. Use with supervision for a short-term cooking only
Parchment paper	Use as a cover to prevent splattering or a wrap for steaming.
Plastic	Microwave-safe only. Follow the manufacturer's instructions. Should be labeled "Microwave Safe". Some plastic containers soften, as the food inside gets hot. "Boiling bags" and tightly closed plastic bags should be slit, pierced, or vented as directed by package
Plastic wrap	Microwave-safe only. Use to cover food during cooking to retain moisture. Do not allow plastic wrap to touch food.
Thermometers	Microwave-safe only (meat and candy thermometers).
Wax paper	Use as a cover to prevent splattering and retain moisture.

### Materials to be avoided in microwave oven

Utensils	Remarks
Aluminum tray	May cause arcing. Transfer food into microwave-safe dish
Food carton with metal handle	May cause arcing. Transfer food into microwave-safe dish
Metal or metal-trimmed utensils	Metal shields the food from microwave energy. Metal trim may cause arcing.
Metal twist ties	May cause arcing and could cause a fire in the oven
Paper bags	May cause a fire in the oven.
Plastic foam	Plastic foam may melt or contaminate the liquid inside when exposed to high temperature.
Wood	Wood will dry out when used in the microwave oven and may split or crack

## COOKING TIPS

The following factors may affect the cooking result:

### Food arrangement

Place thicker areas towards the outside of dish, the thinner part towards the center and spread it evenly. Do not overlap if possible.

### Cooking time length

Start cooking with a short time setting, evaluate it after it times out and extend it according to the actual need. Over cooking may result in smoke and burns.

### Cooking food evenly

Food such as chicken, hamburger or steak should be turned once during cooking. Depending on the type of food, if applicable, stir it from outside to center of dish once or twice during cooking.

### Allow standing time.

After cooking times out, leave the food in the oven for an adequate length of time, this allows it to complete its cooking cycle and cooling it down in a gradual manner.

### Whether the food is done

Color and hardness of food help to determine if it is done, these include:

- Steam coming out from all parts of food, not just the edge
- Joints of poultry can be moved easily
- Pork or poultry shows no signs of blood
- Fish is opaque and can be sliced easily with a fork

### Browning dish

When using a browning dish or self-heating container, always place a heat-resistant insulator such as a porcelain plate under it to prevent damage to the turntable and rotating ring.

### Microwave safe plastic wrap

When cooking food with high fat content, do not allow the plastic wrap come into contact with food as it may melt

### **Microwave safe plastic cookware**

Some microwave safe plastic cookware might not be suitable for cooking foods with high fat and sugar content. Also, the preheating time specified in the dish instruction manual must not be exceeded.

## **7. CLEANING AND MAINTANACE**

### **CLEANING**

Be sure to unplug the appliance from the power supply.

1. Clean the cavity of the oven after using with a slightly damp cloth.
2. Clean the accessories in the usual way in soapy water.
3. The door frame and seal and neighbouring parts must be cleaned carefully with a damp cloth when they are dirty.
4. Do not use harsh abrasive cleaners or sharp metal scrapers to clean the oven door glass since they can scratch the surface, which may result in shattering of the glass.
5. Cleaning Tip---For easier cleaning of the cavity walls that the food cooked can touch: Place half a lemon in a bowl, add 300ml (1/2 pint) water and heat on 100% microwave power for 10 minutes. Wipe the oven clean using a soft, dry cloth.

Utensil Test:

1. Fill a microwave-safe container with 1 cup of cold water (250ml) along with the utensil in question.
2. Cook on maximum power for 1 minute.
3. Carefully feel the utensil. If the empty utensil is warm, do not use it for microwave cooking.
4. Do not exceed 1 minute cooking time.

### **SERVICING SAFEGUARDS**

#### **Caution: MICROWAVE RADIATION**

1. The high voltage capacitor remains charged after disconnection; short the negative terminal of H. V capacitor to the oven chassis (use a screwdriver) to discharge before touching.
2. During servicing below listed parts are liable to be removed and give access to potentials above 250V to earth.
  - Magnetron
  - High voltage transformer
  - High voltage capacitor
  - High voltage diode
  - High voltage fuse
3. The following conditions may cause undue microwave exposure during servicing.
  - Improper fitting of magnetron.
  - Improper matching of door interlock, door hinge and door.
  - Improper fitting of switch support.
  - Door, door seal or enclosure has been damaged.



## 8. TROUBLESHOOTING

Normal	
Microwave oven interfering TV reception	Radio and TV reception may be interfered when microwave oven operating. It is similar to the interference of small electrical appliances, like mixer, vacuum cleaner, and electric fan. It is normal.
Dim oven light	In low power microwave cooking, oven light may become dim. It is normal.
Steam accumulating on door, hot air out of vents	In cooking, steam may come out of food. Most will get out from vents. But some may accumulate on cool place like oven door. It is normal
Oven started accidentally with no food in.	It is forbidden to run the unit without any food inside. It is very dangerous.

Trouble	Possible Cause	Remedy
Oven cannot be started.	Power cord is not plugged in tightly	Unplug. Then plug again after 10 seconds.
	Fuse blowing or circuit breaker works.	Replace fuse or reset circuit breaker (repaired by professional personnel of our company)
	Trouble with outlet	Test outlet with other electrical appliances.
Oven does not heat.	Door is not closed well.	Close door well.

## CUSTOMER CARE AND SERVICE

Always use original spare parts.

When contacting our Authorized Service Centre, ensure that you have the following data available: Model and Serial Number.

The information can be found on the rating plate. Subject to change without notice.

## TECHNICAL DATA

Model	HMW-MD20IWH
Rated Voltage	230-240 V~ 50 Hz
Microwave Input	1020 W
Microwave Output	700 W

**Environment friendly disposal**

You can help protect the environment!

Please remember to respect the local regulations: hand in the non-working electrical equipment's to an appropriate waste disposal center.



**HEINNER** is a registered trademark of **Network One Distribution SRL**. Other brands and product names are trademarks or registered trademarks of their respective holders.

No part of the specifications may be reproduced in any form or by any means or used to make any derivative such as translation, transformation, or adaptation without permission from NETWORK ONE DISTRIBUTION.

Copyright © 2013 Network One Distribution. All rights reserved.

[www.heinner.com](http://www.heinner.com), <http://www.nod.ro>



This product is in conformity with norms and standards of European Community



Importer: **Network One Distribution**

Marcel Iancu Street, 3-5, Bucharest, Romania

Tel: +40 21 211 18 56, [www.heinner.com](http://www.heinner.com) , [www.nod.ro](http://www.nod.ro)

# CUPTOR CU MICROUND

Model:

**HMW-MD20IVWH**



- Cuptor cu microunde
- Capacitate totală: 19L

**HEINNER**

## 1. INTRODUCERE

Vă rugăm să citiți instrucțiunile cu atenție și să păstrați manualul pentru consultări ulterioare.

Acest manual are scopul de a vă oferi toate instrucțiunile necesare cu privire la instalarea, utilizarea și întreținerea aparatului. Pentru utilizarea corectă și în siguranță a aparatului, vă rugăm să citiți cu atenție acest manual de instrucțiuni înainte de instalare și utilizare.

## 2. CONȚINUTUL PACHETULUI DUMNEAVOASTRĂ

- ➔ Cuptor cu microunde
- ➔ Manual de utilizare
- ➔ Certificat de garanție

## 3. CONȚINUTUL PACHETULUI DUMNEAVOASTRĂ

### GENERALITĂȚI

**AVERTISMENT: NU PORNIȚI CUPTORUL CU MICROUNDĂ DACĂ ÎN INTERIORUL ACESTUIA NU SE AFLĂ NICIUN RECIPIENT CU ALIMENTE SAU LICHIDE. ACEASTA POATE DUCE LA DEFECTAREA CUPTORULUI.**

**AVERTISMENT:** Dacă ușa/garnitura ușii este deteriorată, opriți utilizarea aparatului până la repararea acestuia de către o persoană calificată.

**AVERTISMENT:** Efectuarea operațiilor de întreținere sau a reparațiilor care implică îndepărtarea carcaselor care oferă protecție împotriva expunerii la microunde este periculoasă pentru persoanele necalificate.

**AVERTISMENT:** Nu încălziți în recipiente închise ermetic lichide sau alte alimente, deoarece acestea pot exploda. În cazul apariției unei scurgeri cauzate de deteriorarea componentelor schimbătorului de căldură, mutați frigiderul la distanță de sursele de flacără deschisă sau de căldură și aerisiți timp de câteva minute camera în care se află aparatul.

1. Utilizați numai recipiente care sunt potrivite pentru utilizare în cuptorul cu microunde.
2. Nu utilizați în cuptorul cu microunde recipiente din metal pentru lichide sau alimente.
3. Atunci când încălziți alimente în recipiente din plastic sau hârtie, există riscul de aprindere a acestora. Din acest motiv, procesul de încălzire trebuie supravegheat permanent.
4. Cuptorul cu microunde este destinat încălzirii alimentelor și băuturilor. Uscarea alimentelor sau a articolelor de îmbrăcăminte, încălzirea pernelor, papucilor, bureților cârpelor umede sau a altor obiecte similare pot duce la risc de rănire sau producere a incendiilor.
5. În cazul în care observați fum, opriți aparatul sau deconectați ștecărul de la sursa de alimentare și țineți ușa închisă pentru a înăbuși eventualele flăcări. Încălzirea cu microunde a băuturilor poate avea ca rezultat stropirea din cauza fierberii prelungite; prin urmare, trebuie să acordați atenție deosebită atunci când manevrați recipientul.
6. Pentru a evita arsurile, agitați biberoanele și borcanele cu alimente pentru copii sau amestecați conținutul acestora și verificați temperatura alimentelor înainte de a hrăni copiii.
7. Nu încălziți în cuptor ouă cu coajă sau ouă fierte, deoarece acestea pot exploda chiar și după finalizarea procesului de încălzire.-
8. În cazul în care cuptorul nu este menținut curat, suprafețele acestuia se pot deteriora, durata de utilizare a produsului poate fi diminuată, putând apărea chiar situații periculoase.

9. Aparatul nu trebuie să fie montat într-un dulap.
10. Acționați cu prudență, astfel încât să nu dislocați platoul rotativ atunci când scoateți recipientele din aparat.
11. Aparatul nu trebuie curățat cu un aparat de curățare cu aburi.
12. Aparatul nu trebuie să fie instalat la mai mult de 900 mm deasupra podelei. Spațiul liber necesar deasupra suprafeței superioare a cuptorului: Consultați schema de instalare.

**AVERTISMENT:** Atunci când aparatul este utilizat în modul de preparare combinată, copiii trebuie să utilizeze cuptorul numai sub supravegherea unui adult, deoarece acesta generează temperaturi foarte ridicate.

13. Pentru evitarea pericolelor, în cazul în care cablul de alimentare este deteriorat, acesta trebuie înlocuit de către producător, de către agentul său de service sau de persoane cu o calificare similară.
14. Aparatul poate fi utilizat de către copii cu vârste începând de la 8 ani și de către persoane cu capacități fizice, senzoriale sau mentale reduse, cu lipsă de experiență sau cunoștințe, numai dacă acestea sunt supravegheate sau instruite în ceea ce privește utilizarea în siguranță a aparatului și dacă înțeleg pericolele pe care le implică utilizarea.
15. Copiii nu au voie să se joace cu aparatul.
16. Curățarea și întreținerea nu trebuie efectuate de către copii nesupravegheați.
17. După instalarea aparatului, ștecărul trebuie să rămână ușor accesibil.
18. Acest aparat nu trebuie să fie montat într-un dulap cu ușă.
19. Fluxul luminos al sursei de lumină LED interne a acestui produs este < 60lm.
20. În timpul utilizării, aparatul devine fierbinte. Evitați atingerea elementelor de încălzire din interiorul cuptorului.

**AVERTISMENT:** Componentele accesibile se pot încinge în timpul utilizării. Copiii cu vârste mici trebuie ținuți la distanță de aparat.

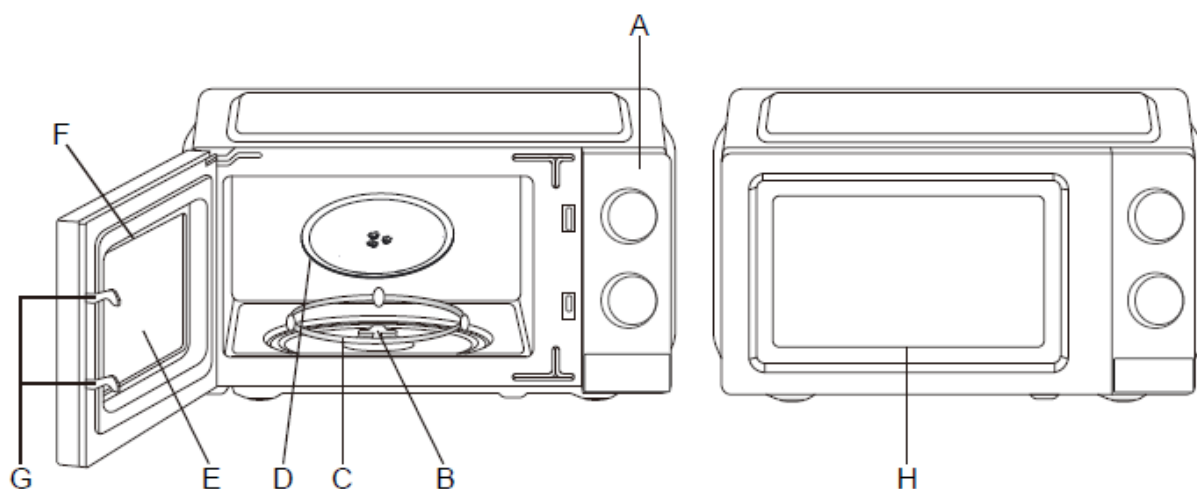
**AVERTISMENT:** Aparatul și zonele accesibile ale acestuia se pot încinge pe parcursul folosirii.

21. Evitați atingerea zonelor care se încing.
22. Nu lăsați copiii cu vârste sub 8 ani în preajma aparatului decât dacă aceștia sunt supravegheați neîntrerupt.
23. Nu utilizați agenți de curățare abrazivi sau bureți metalici pentru curățarea geamului ușii cuptorului, deoarece acesta se poate zgâria sau se poate sparge.
24. Pentru evitarea supraîncălzirii, aparatul nu trebuie să fie instalat în spatele unei uși decorative. Aparatul poate fi utilizat de către copii cu vârste începând de la 8 ani și de către persoane cu capacități fizice, senzoriale sau mentale reduse, cu lipsă de experiență sau cunoștințe, numai dacă acestea sunt supravegheate sau instruite în ceea ce privește utilizarea în siguranță a aparatului și dacă înțeleg pericolele pe care le implică utilizarea. Copiii nu au voie să se joace cu aparatul. Curățarea și întreținerea nu trebuie să fie efectuate de către copii în lipsa detaliilor care să indice instalarea corectă a rafturilor.

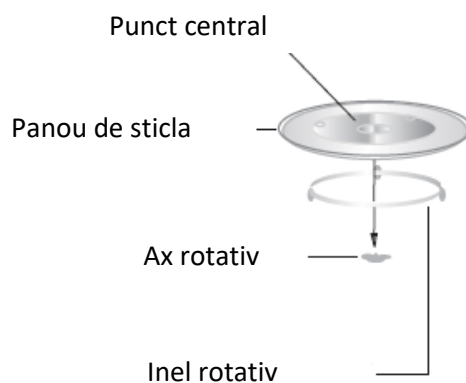
## OBSERVAȚII:

- Vă rugăm să citiți cu atenție manualul de instrucțiuni înainte de a instala și utiliza aparatul dumneavoastră. Nu ne asumăm nicio răspundere pentru daunele apărute ca urmare a utilizării necorespunzătoare.
- Respectați toate instrucțiunile de pe aparat și din manualul de instrucțiuni și păstrați acest manual într-un loc sigur, pentru a remedia problemele care ar putea interveni în viitor.
- Acest aparat este destinat uzului casnic și nu poate fi utilizat în alte scopuri decât cele specificate. Nu este potrivit pentru utilizare comercială sau în comun. O asemenea utilizare va duce la anularea garanției aparatului, iar compania noastră nu va fi responsabilă pentru pierderile care vor apărea.
- Acest aparat este produs în vederea utilizării casnice și este adecvat numai pentru răcirea/depozitarea alimentelor. Nu este potrivit pentru utilizare comercială sau în comun și/sau pentru depozitarea substanțelor nealimentare. Compania noastră nu este responsabilă pentru pierderile care vor apărea în caz contrar.

## 4. DESCRIEREA PRODUSULUI



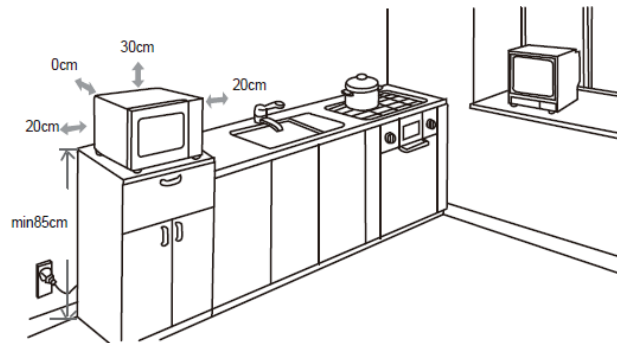
- A. Panou de comanda
- B. Ax rotativ
- C. Inel rotativ
- D. Platou din sticla rotativ
- E. Fereastra de vizualizare
- F. Ansamblu usa
- G. Sistem de inchidere a usii
- H. Usa PET



- a. Nu puneți în niciun caz platoul rotativ cu partea superioară în jos. Platoul rotativ trebuie să se rotească fără dificultate.
- b. Platoul rotativ și inelul rotativ trebuie utilizate întotdeauna în timpul preparării.
- c. Asigurați-vă că toate alimentele și recipientele cu alimente sunt așezate pe platoul rotativ în vederea preparării.
- d. În cazul în care platoul rotativ sau inelul rotativ se crapă sau se sparge, contactați cel mai apropiat atelier de service autorizat.

## 5. INSTALARE

1. Selectați o suprafață plană care să ofere suficient spațiu liber pentru orificiile de admisie și/sau de evacuare.



Înălțimea minimă de instalare este de 85 cm.

(2) Partea din spate a aparatului trebuie să fie lângă un perete.

Lăsați un spațiu de cel puțin 30 cm deasupra cuptorului. Este necesar să lăsați un spațiu de cel puțin 20 cm între cuptor și pereții învecinați.

(3) Nu demontați picioarele din partea inferioară a cuptorului.

(4) Blocarea orificiilor de admisie și/sau de evacuare poate duce la deteriorarea cuptorului.

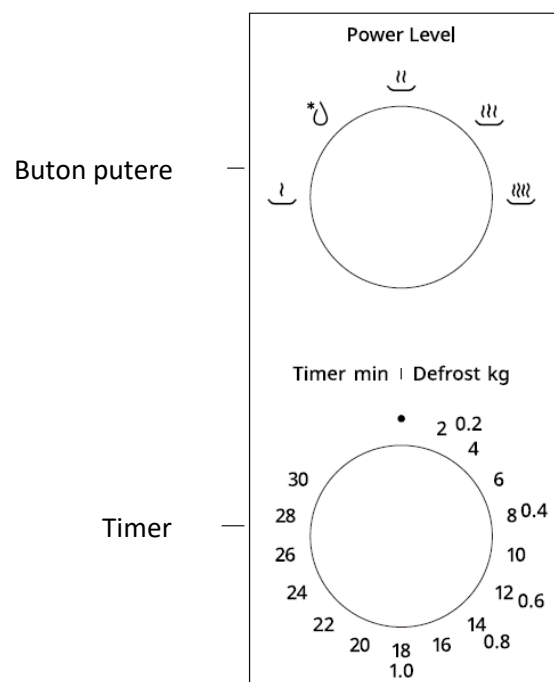
(5) Așezați cuptorul cât mai departe posibil de aparate de radio și televizoare.

Funcționarea cuptorului cu microunde poate provoca interferențe în recepția radio sau TV.



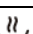
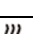
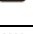
2. Conectați cuptorul la o priză standard de uz casnic. Asigurați-vă că tensiunea și frecvența indicate pe plăcuța cu date tehnice a aparatului corespund tensiunii și frecvenței disponibile în locul de utilizare.

**AVERTISMENT:** Nu amplasați cuptorul deasupra unui aragaz sau a altui aparat care produce căldură. Dacă este instalat în apropierea unei surse de căldură sau deasupra acesteia, cuptorul poate suferi deteriorări, aceasta ducând la anularea garanției.

## 6. UTILIZAREA PANOULUI DE COMANDĂ



1. Pentru a seta puterea de gătire va rugăm rotiți butonul de putere la nivelul dorit.
2. Pentru a seta timpul de gătire va rugăm rotiți butonul de temporizare la timpul dorit conform ghidului de gătire a alimentelor.
3. Cuptorul cu microunde va începe automat gătitul după ce nivelul de putere și timpul sunt setate.
4. Când timpul de gătire a expirat, aparatul va face un sunet și se va opri.
5. Dacă cuptorul nu este utilizat, setați întotdeauna timpul la "0".

Functii/Putere	Putere microunde	Rezultat
	17% putere	Înmoaie înghețata
	33% putere	Tocana, se înmoaie untul sau se dezgheață
	55% putere	Tocană, pește
	77% putere	Orez, pește, pui, carne tocată
	100% putere	Reîncălziți, lapte, apă clocotită, legume, băuturi

**Avertisment: Atunci când scoateți alimentele din cuptor, asigurați-vă că alimentarea cuptorului este oprită prin rotirea comutatorului de temporizare pe 0. În caz contrar, funcționarea cuptorului cu microunde fără alimente în el, poate duce la supraîncălzire și la deteriorarea magnetronului.**

## INDICATII PENTRU UTILIZAREA USTENSILELOR

Materiale pe care le puteți utiliza în cuptorul cu microunde.

Obiecte	Observații
Vas pentru rumenire	Respectați instrucțiunile producătorului. Partea inferioară a vasului pentru rumenire trebuie să fie la cel puțin 5 mm deasupra platoului rotativ. Utilizarea incorectă poate cauza ruperea platoului rotativ.
Veselă	Numai cea adecvată pentru utilizare în cuptorul cu microunde. Respectați instrucțiunile producătorului. Nu utilizați vase crăpate sau ciobite.
Borcane de sticlă	Îndepărtați întotdeauna capacul. Utilizați-le numai pentru a încălzi ușor alimentele. Cele mai multe borcane de sticlă nu sunt termorezistente și se pot sparge.
Vase din sticlă	Doar vase din sticlă termorezistentă, care pot fi utilizate în cuptorul cu microunde. Asigurați-vă că nu sunt prevăzute ornamente metalice. Nu utilizați vase crăpate sau ciobite.
Pungi pentru copt	Respectați instrucțiunile producătorului. Nu închideți cu legătură metalică. Efectuați tăieturi pentru a permite aburului să iasă
Farfurii și pahare de hârtie	A se utiliza numai pentru gătit/încălzire pe termen scurt. Nu lăsați cuptorul nesupravegheat în timpul gătitului.
Prosoape de hârtie	A se utiliza pentru a acoperi alimentele în vederea reîncălzirii și pentru a absorbi grăsimea. A se utiliza sub supraveghere, numai pentru o gătire pe termen scurt.
Hârtie de copt	Utilizați ca acoperire pentru a preveni stropirea sau pentru gătit la aburi.
Obiecte din plastic	Numai cele adecvate pentru utilizare în cuptorul cu microunde. Respectați instrucțiunile producătorului. Trebuie să fie etichetate cu mențiunea „Sigur pentru utilizare în cuptorul cu microunde”. Unele recipiente de plastic se înmoaie, pe măsură ce alimentele din interior se încălzesc. „Pungile pentru fierbere” și pungile de plastic închise ermetic trebuie să fie tăiate, perforate sau deschise conform indicațiilor de pe ambalaj.
Folie de plastic	Numai cea adecvată pentru utilizare în cuptorul cu microunde. A se utiliza în vederea acoperirii alimentelor în timpul gătitului, pentru a reține umiditatea. Nu lăsați folia de plastic să atingă alimentele.
Termometre	Numai cele adecvate pentru utilizare în cuptorul cu microunde (termometre pentru carne și dulciuri).
Hârtie cerată	Utilizați ca acoperire pentru a preveni stropirea sau pentru a reține umiditatea.



Materiale a căror utilizare în cuptorul cu microunde trebuie evitată.

Ustensile	Observații
Tavă din aluminiu	Poate provoca formarea de arcuri electrice. Transferați alimentele într-un vas adecvat pentru utilizare în cuptorul cu microunde.
Cutie pentru alimente, cu mâner metalic	Poate provoca formarea de arcuri electrice. Transferați alimentele într-un vas adecvat pentru utilizare în cuptorul cu microunde.
Ustensile metalice sau cu ornamente metalice	Metalul protejează alimentele de energia generată de cuptorul cu microunde. Ornamentele metalice pot provoca formarea de arcuri electrice.
Legături metalice	Pot provoca formarea de arcuri electrice și pot cauza un incendiu în cuptor.
Pungi de hârtie	Pot provoca un incendiu în cuptor.
Spumă de plastic	Spuma de plastic se poate topi sau poate contamina lichidul din interior atunci când este expusă la temperaturi ridicate.
Lemn	Lemnul se usucă atunci când este utilizat în cuptorul cu microunde și se poate despică sau crăpa.

## SFATURI PRIVIND PREPARAREA

Factorii de mai jos pot afecta rezultatul preparării:

### Disponerea alimentelor

Dispuneți părțile mai groase ale alimentelor către exteriorul platoului rotativ, iar pe cele mai subțiri către mijlocul acestuia. Dacă este posibil, nu suprapuneți alimentele.

### Durata preparării

Începeți procesul cu o durată redusă de preparare, observați rezultatul, apoi măriți durata după caz. Prepararea excesivă poate provoca fum sau arsuri.

### Prepararea uniformă a alimentelor

Produsele cum ar fi carnea de pui, hamburgerii sau friptura trebuie întoarse în timpul preparării. În funcție de tipul de aliment, dacă este cazul, amestecați în recipient dinspre exterior către centru, o dată sau de două ori.

### Lăsați alimentele să se „pătrundă”

După finalizarea preparării, lăsați alimentele în cuptor pentru o perioadă de timp adecvată, permițând acestora să se „pătrundă” și să se răcească treptat.

### Verificarea alimentelor

Verificați culoarea și consistența alimentelor, pentru a vă asigura că acestea sunt bine preparate:

- Verificați dacă aburul iese de pe toată suprafața preparatului, nu numai de pe margine
- Verificați dacă articulațiile cărnii de pasăre pot fi mișcate cu ușurință
- Asigurați-vă că în carnea de porc sau de pasăre nu mai este sânge
- Asigurați-vă că peștele este opac și că poate fi tăiat ușor cu furculița

### Utilizarea unui vas special pentru rumenire

Atunci când utilizați un vas pentru rumenire sau un recipient cu autoîncălzire, puneți întotdeauna sub acesta un izolator termorezistent, cum ar fi o farfurie de porțelan, pentru a preveni deteriorarea platoului rotativ și a inelului rotativ.

### **Utilizarea unei folii de plastic**

Atunci când preparați alimente cu un conținut ridicat de grăsimi, nu lăsați folia din plastic să intre în contact cu alimentele, deoarece aceasta se poate topi.

### **Utilizarea unor recipiente din plastic corespunzătoare**

Este posibil ca anumite vase din plastic pentru microunde să nu fie potrivite pentru prepararea alimentelor cu un conținut ridicat de grăsimi sau zahăr. De asemenea, durata de preîncălzire specificată în manualele de instrucțiuni ale recipientelor nu trebuie depășită.

## **7. CURĂȚARE ȘI ÎNTREȚINERE**

### **CURĂȚARE**

1. După utilizare, curățați interiorul cuptorului cu o cârpă ușor umezită.
2. Curățați periodic accesoriile în apă cu detergent.
3. Cadrul și garnitura ușii, precum și componentele învecinate trebuie curățate cu grijă cu o cârpă umedă, atunci când se murdăresc.
4. Nu utilizați agenți de curățare abrazivi sau bureți metalici pentru curățarea geamului ușii cuptorului, deoarece acesta se poate zgâria sau se poate sparge.
5. Recomandare privind curățarea --- Pentru o curățare mai ușoară a pereților interiorului pe care alimentele gătite îi pot atinge: Puneți o jumătate de lămâie într-un castron, adăugați 300 ml de apă și utilizați cuptorul cu microunde la putere maximă (100%) timp de 10 minute. Ștergeți cuptorul cu o cârpă moale și uscată.

Testarea ustensilelor:

1. Umpleți un recipient adecvat pentru utilizare în cuptorul cu microunde 1 cană de apă rece (250 ml) împreună cu ustensila pe care doriți să o testați.
2. Puneți aparatul în funcțiune la putere maximă timp de 1 minut.
3. Atingeți cu atenție ustensila. Dacă ustensila este caldă, nu o utilizați pentru prepararea cu microunde.
4. Nu depășiți durata de 1 minut.

### **MĂSURI DE PROTECȚIE PRIVIND DEPANAREA**

#### **Atenție: RADIAȚII DE MICROUNDE**

1. Energia electrică este prezentă în condensatorul de înaltă tensiune după deconectarea de la sursa de alimentare. Scurtcircuitați borna negativă a condensatorului de înaltă tensiune cu cadrul cuptorului (utilizați o șurubelniță) pentru a-l descărca înainte de a-l atinge.
2. În timpul efectuării reparațiilor, componentele de mai jos pot fi înlocuite și au potențiale electrice de peste 250 V.
  - Magnetron
  - Transformator de înaltă tensiune
  - Condensator de înaltă tensiune
  - Diodă de înaltă tensiune
  - Siguranță de înaltă tensiune
3. Împrejurările descrise mai jos pot duce la expunerea excesivă la acțiunea microundelor:
  - Instalarea necorespunzătoare a magnetronului.
  - Montarea incorectă a sistemului de blocare a ușii, a balamalelor sau a ușii.
  - Instalarea incorectă a întrerupătorului.
  - Ușa, garnitura ușii sau carcasa au fost deteriorate.

## 8. DEPANARE

Normal	
Cuptorul cu microunde interferează cu recepția TV	Funcționarea cuptorului cu microunde poate provoca interferențe în recepția radio sau TV. Acestea sunt similare cu interferențele cauzate de către aparatele electrice de mici dimensiuni, cum ar fi mixerele, aspiratoarele și ventilatoarele electrice. Acest lucru este normal.
Lumina cuptorului este slabă	În cazul preparării cu microunde la putere redusă, lumina cuptorului poate să fie slabă. Acest lucru este normal.
Aburul se acumulează în dreptul ușii, iese aer fierbinte prin orificiile de aerisire.	În timpul preparării, poate ieși abur din alimente. O mare parte din acest abur iese prin orificiile de aerisire. Totuși, o parte din acest abur se poate acumula în dreptul ușii cuptorului. Acest lucru este normal.
Cuptorul a pornit accidental fără mâncare în interior.	Nu este permisă utilizarea aparatului fără mâncare în interior. Acest lucru este foarte periculos.

Problemă	Cauză posibilă	Soluții
Cuptorul nu poate fi pornit.	(1) Cablul de alimentare nu este conectat corespunzător.	Scoateți ștecărul din priză. Așteptați 10 secunde, apoi introduceți-l la loc în priză.
	(2) Siguranța este arsă sau întrerupătorul de circuit s-a activat.	Înlocuiți siguranța sau resetați întrerupătorul de circuit (reparat de către personal specializat)
	(3) Probleme cu priza.	Testați priza cu alte aparate electrice.
Cuptorul nu încălzește	(4) Ușa nu este închisă bine.	Închideți ușa corespunzător.

## DATE TEHNICE

Model	HMW-MD20IVWH
Amperaj	230-240 V~ 50 Hz
Putere nominala	1020 W
Putere cuptor	700 W



### **MASURI PENTRU PROTECTIA MEDIULUI**

Va informam ca persoanele fizice au urmatoarele obligatii prin legislatia specifica privind protectia mediului si regimul deseurilor:

- Deseurile de echipamente electrice si electronice (DEEE), pot contine substante periculoase pentru mediu si sanatatea umana. Conform OUG 5/2015, exista obligativitatea predarii acestora, pentru tratarea corespunzatoare si valorificarea componentelor reciclabile. Societatea Network One Distribution S.R.L. este platitoare de taxa de "timbru verde" pentru fiecare Echipament Electric si Electronic (EEE) pe care il pune pe piata. Acest cost asigura tratarea ulterioara a echipamentelor uzate colectate. Din acest motiv, odata ce devine deseu, produsul EEE poate fi predat gratuit operatorului Dvs. de salubritate, la magazine atunci cand achizitionati alt echipament similar, sistemul "unul la unu" sau la punctul de colectare organizat de Primaria Sectorului / localitatii Dvs.
- Simbolul (marcajul) aplicat produselor, care indica faptul ca deseurile DEEE, bateriile si acumulatorii - fac obiectul unei colectari separate, il reprezinta o pubela barata cu o cruce.



#### ***Aceste masuri vor ajuta la protejarea mediului***

Societatea Network One Distribution S.R.L. este inregistrata in Registrul de punere pe piata a echipamentelor electrice si electronice, avand numarul de inregistrare: RO-2016-03-EEE-0201-IV. De asemenea, au fost intocmite si sunt gestionate: Registrul de Retragere EEE si Registrul de Rechemare EEE, in conformitate cu HG 322/2013. Totodata societatea este inregistrata in Registrul de punere pe piata a bateriilor, avand numarul de inregistrare: RO-2011-03-B&A-0283.

Conformitatea cu directiva RoHS: Produsul pe care l-ati cumparat este conform cu Directiva RoHS UE (2011/65/UE). Nu contine materialele daunatoare si interzise specificate in Directiva.

**Va multumim ca participati alaturi de noi la protejarea mediului si a sanatatii umane!**



**HEINNER** este marcă înregistrată a companiei **Network One Distribution SRL**. Celelalte branduri și denumirile produselor sunt mărci de comerț sau mărci de comerț înregistrate ale respectivilor deținători.

Nicio parte a specificațiilor nu poate fi reprodusă sub nicio formă și prin niciun mijloc, nici utilizată pentru obținerea unor derivate precum traduceri, transformări sau adaptări, fără consimțământul prealabil al companiei NETWORK ONE DISTRIBUTION.

Copyright © 2013 Network One Distribution. Toate drepturile rezervate.

[www.heinner.com](http://www.heinner.com), <http://www.nod.ro>



Acest produs este proiectat și realizat în conformitate cu standardele și normele Comunității Europene.



Importator: **Network One Distribution**

Str. Marcel Iancu, nr. 3-5, București, România

Tel: +40 21 211 18 56, [www.heinner.com](http://www.heinner.com) , [www.nod.ro](http://www.nod.ro)

# МИКРОВЪЛНОВА ПЕЧКА

Модел:

**HMW-MD20IVWH**



- Микровълнова печка
- Общ капацитет: 19 л.

**HEINNER**

## 1. ВЪВЕДЕНИЕ

Моля прочетете внимателно инструкциите и запазете наръчника за бъдещи справки.

Този наръчник има за цел да Ви предостави всички необходими инструкции по отношение на инсталирането, използването и поддържането на уреда. Преди инсталиране и използване на уреда, с цел правилна и безопасна употреба на уреда, моля прочетете внимателно този наръчник с инструкции.

## 2. СЪДЪРЖАНИЕ НА ВАШИЯ ПАКЕТ

- ➔ микровълнова печка
- ➔ Наръчник за употреба
- ➔ Сертификат за гаранция

## 3. СЪДЪРЖАНИЕ НА ВАШИЯ ПАКЕТ

### ОБЩИ УКАЗАНИЯ

**ПРЕДУПРЕЖДЕНИЕ: НЕ ВКЛЮЧВАЙТЕ МИКРОВЪЛНОВАТА ФУРНА, АКО ВЪВ ВЪТРЕШНОСТТА Й НЕ Е ПОСТАВЕН СЪД С ХРАНИ ИЛИ ТЕЧНОСТИ. ТОВА МОЖЕ ДА ДОВЕДЕ ДО ПОВРЕЖДАНЕ НА ФУРНАТА.**

**ПРЕДУПРЕЖДЕНИЕ:** Ако вратата/уплътнението на вратата е повредено, спрете да използвате уреда, докато не бъде ремонтирано от квалифицирано лице.

**ПРЕДУПРЕЖДЕНИЕ:** Извършването на операции за поддръжка или на ремонти, които включват отстраняване на корпусите, които предлагат защита от микровълни, е опасно за неквалифицирани лица. **ПРЕДУПРЕЖДЕНИЕ:** Не нагрявайте течности или други храни в херметически затворени съдове, тъй като те могат да експлодират. В случай на изтичане поради повреждане на компонентите на топлообменника, преместете хладилника далеч от източници на открит огън или топлина и проветрете за няколко минути помещението, където се намира уреда.

1. Използвайте само съдове, които са подходящи за използване в микровълнова фурна.
2. Не използвайте метални контейнери за течности или храни в микровълновата фурна.
3. Тогава, когато затопляте храни в пластмасови или хартиени съдове, има риск от тяхно запалване. Поради тази причина, процесът на затопляне трябва да се наблюдава постоянно.
4. Микровълновата фурна е предназначена за затопляне на храни и напитки. Изсушаването на храни или дрехи, затоплянето на възглавници, чехли, гъби за почистване, влажни кърпи или на други подобни предмети може да доведе до риск от нараняване или до възникване на пожар.
5. Ако забележите дим, изключете уреда или извадете щепсела от източника на захранване и дръжте вратата затворена, за да задушите евентуални пламъци. Микровълновото нагряване на напитки може да доведе до изпръскване поради продължително кипене; затова трябва да се обърне специално внимание при боравене с контейнера.
6. С цел предотвратяване на изгарянията разклатете бибероните и бурканите с детски храни или смесете тяхното съдържание и проверете температурата на храните преди да започнете храненето на децата.
7. Не нагрявайте във фурната яйца с кората или варени яйца, защото могат да експлодират дори и след приключване на процеса на затопляне.-
8. Ако фурната не се поддържа чиста, нейните повърхности могат да се повредят, като времето за

употреба на продукта може да се намали и могат да възникнат дори опасни ситуации.

9. Уредът не трябва да се монтира в шкаф.
10. Действайте внимателно, така че да не разместите въртящата се плоча, когато изваждате контейнерите от уреда.
11. Уредът не трябва да се почиства с парочистачка.
12. Уредът не трябва да се инсталира на повече от 900 мм над пода. Необходимото свободно пространство над горната повърхност на фурната: Вижте схемата за инсталиране.

**ПРЕДУПРЕЖДЕНИЕ:** Тогава, когато уредът се използва в режим на комбинирано приготвяне, децата трябва да използват фурната само под наблюдение на възрастно лице, защото във фурната се образуват много високи температури.

13. С цел предотвратяване на опасности, ако захранващият кабел е повреден, трябва да се подмени от производителя, от неговия сервизен представител или от лица с подобна квалификация.
14. Уредът може да се използва от деца на възраст от 8 години и от лица с намалени физически, сетивни или умствени възможности, които нямат опит или познания само, ако са наблюдавани или обучени относно безопасната употреба на уреда и, ако разбират опасностите, свързани с употребата.
15. Децата нямат право да си играят с уреда.
16. След инсталиране на уреда, щепселът трябва да остане лесно достъпен.
17. Този уред не трябва да се монтира в шкаф с врата.
18. Светлинният поток на вътрешния светодиоден светлинен източник на този продукт е < 60lm.
19. По време на употреба уредът се нагрива. Предотвратявайте докосването на нагревателните елементи от вътрешността на фурната.

**ПРЕДУПРЕЖДЕНИЕ:** Достъпните компоненти могат да се нагриват по време на употреба. Децата на малка възраст трябва да стоят далеч от уреда.

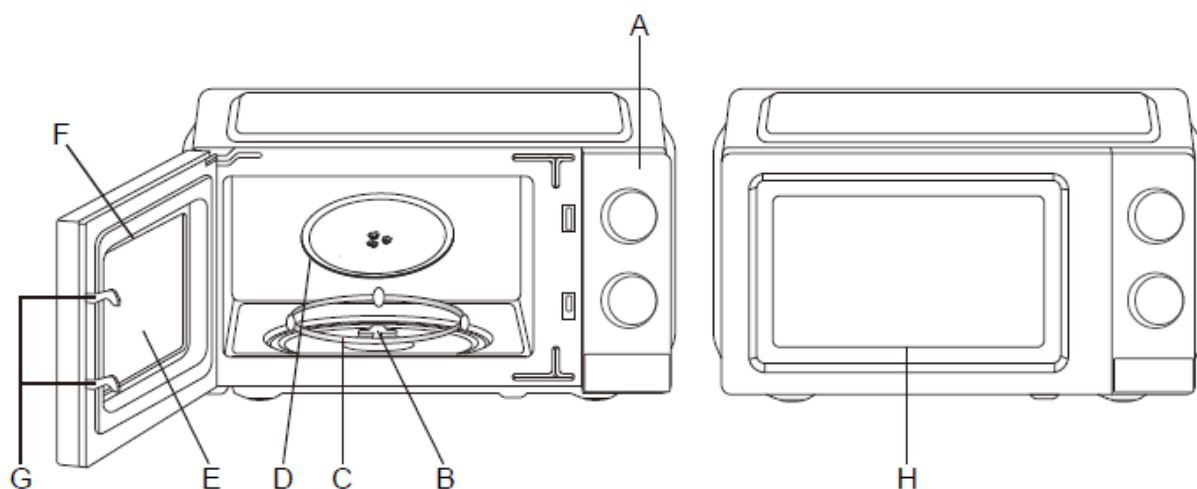
**ПРЕДУПРЕЖДЕНИЕ:** Уредът и достъпните му зони може да се нагриват по време на употреба.

20. Избягвайте докосването на местата, които се нагриват.
21. Не допускате деца под 8 години около уреда само, ако не са под непрекъснат надзор.
22. Не използвайте абразивни агенти за почистване или метални телчета с цел почистване на стъклото на вратата на фурната, защото може да се надраска или спука.
23. За да се предотврати прегряване, уредът не трябва да се инсталира зад декоративна врата. Уредът може да се използва от деца на възраст най-малко 8 години и от лица с намалени физически, сетивни или умствени способности, или с липса на достатъчен опит и познания, само ако са под наблюдение или са получили указания във връзка с използването на уреда по безопасен начин и ако разбират опасностите, които могат да възникнат при използване на уреда. Децата нямат право да си играят с уреда. Почистването и поддръжката не трябва да се извършват от деца при липса на детайли, указващи правилното инсталиране на рафтовете.

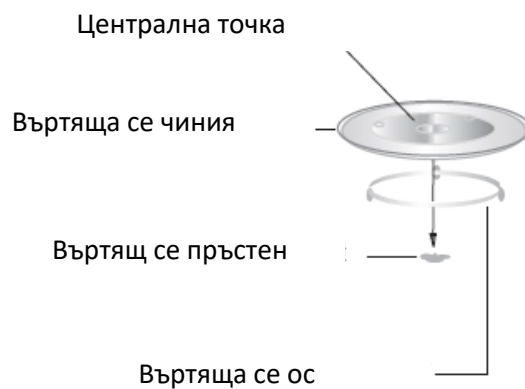
## ЗАБЕЛЕЖКИ:

- Моля, прочетете внимателно наръчника с инструкции преди инсталиране и използване на Вашия уред. Не поемаме никаква отговорност за щети, които са се появили вследствие на несъответстваща употреба.
- Спазвайте всички инструкции върху уреда и от наръчника с инструкции и съхранявайте този наръчник на сигурно място, за да отстраните проблемите, които могат да възникнат в бъдеще.
- Този уред е предназначен за домашна употреба и не трябва да се използва за цели, различни от посочените. Не е подходящ за търговска или съвместна употреба. Такъв вид употреба ще доведе до анулиране на гаранцията на уреда, а нашата компания няма да носи отговорност за загубите, които ще възникнат.
- Този уред е произведен с цел домашна употреба и е подходящ само за охлаждане/съхраняване на храни. Не е подходящ за търговска или съвместна употреба и/или за съхраняване на нехранителни вещества. Нашата компания не носи отговорност за загуби, които могат да възникнат в противен случай.

## 4. ОПИСАНИЕ НА ПРОДУКТА



- A. Контролен панел
- B. Въртящ се пръстен
- C. Въртяща се ос
- D. Въртяща се чиния
- E. Прозорец за наблюдение
- F. Сглобяване на вратата
- G. Система за блокиране на безопасността
- H. PET Врата

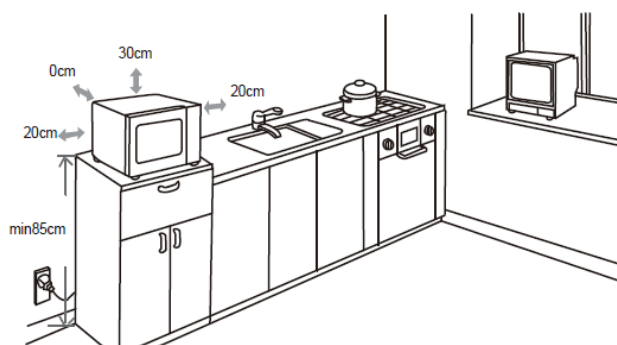


- а. При никакви обстоятелства не поставяйте ротативната чиния с горната страна надолу. Ротативната чиния трябва да се върти без затруднения.
- б. Ротативната чиния и ротативният пръстен трябва да се използват винаги по време на готвене.
- в. Уверете се, че всички храни и контейнери с храни са поставени върху ротативната чиния с цел готвене.
- г. Ако ротативната чиния или ротативният пръстен се напукат или счупят, свържете се с най-близкия оторизиран сервиз.



## 5. ИНСТАЛИРАНЕ

Изберете равна повърхност, която осигурява достатъчно свободно пространство за входа и/или изхода вентилационните отвори.



Минималната височина за инсталиране е 85 см.

(2) Задната страна на уреда трябва да бъде до стена.

Оставете място поне 30 см над фурната. Необходимо е да оставите разстояние най-малко 20 см между фурната и съседните стени.

(3) Не изваждайте крачетата от долната страна на фурната.

(4) Блокирането на входящите и/или изходящите отвори може да доведе до повреда на фурната.

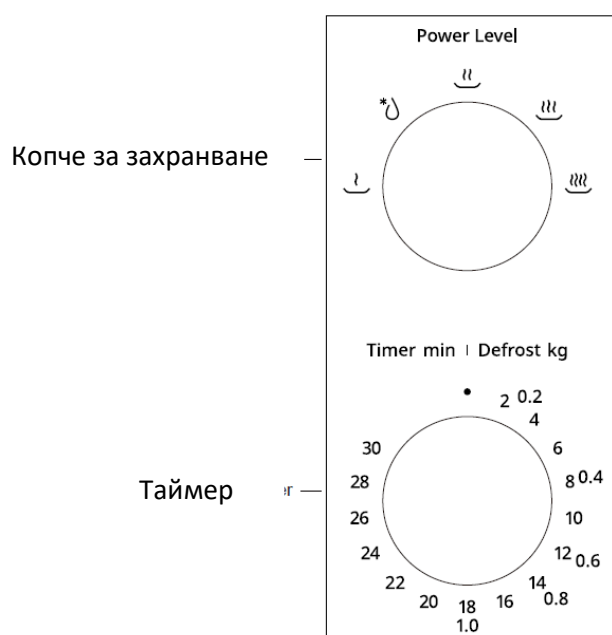
(5) Поставете фурната възможно най-далеч от радиоприемници и телевизори.

Работата на микровълновата фурна може да причини смущения в радио или телевизионното приемане.



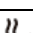
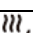
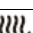
2. Свържете фурната към стандартен електрически контакт за домашна употреба. Уверете се, че напрежението и честотата, посочени върху табелката с технически данни на уреда, съответстват на напрежението и честотата, налични на мястото на употреба.

**ПРЕДУПРЕЖДЕНИЕ:** Не поставяйте фурната върху готварска печка (на газ или електрическа) или върху друг уред, който произвежда топлина. Ако се инсталира близо до или над източник на топлина, фурната може да се повреди, като това води до анулиране на гаранцията.

## 6. ИЗПОЛЗВАНЕ НА КОНТРОЛНИЯ ПАНЕЛ



1. Настройте мощността на готвене, като завъртите копчето за мощност на желаното ниво.
2. За да зададете времето за готвене, завъртете копчето за таймера на желаното време за ръководството за готвене на вашата храна.
3. Микровълновата фурна ще автоматично започне да готви след нивото на мощност и времето са зададени.
4. Когато времето за готвене изтече, уредът ще се обади "Dong", за да спре.
5. Ако уредът не се използва, винаги задавайте времето на "0".

Функция/мощност	Изходящо захранване	Приложение
	17% Изходящо захранване	Омекотяване на сладоледа
	33% Изходящо захранване	Задушена супа, омекотяване на маслото или размразяване
	55% Изходящо захранване	Задушено месо, риба
	77% Изходящо захранване	Ориз, риба, пилешко месо, смляно месо
	100% Изходящо захранване	Затопляне, мляко, вряла вода, зеленчуци, напитки

**Известие:** Когато изваждате храна от фурната, моля, уверете се, че захранването на фурната е изключено, като завъртите превключвателя на таймера на 0. Неспазването на това изискване и работата на микровълновата фурна без храна в нея може да доведе до прегряване и повреда на магнетрона.

## УКАЗАНИЯ ЗА ИЗПОЛЗВАНЕ НА СЪДОВЕТЕ

Материали, които може да използвате в микровълновата фурна.

Предмети	Забележки
Съд за запичане	Спазвайте инструкциите на производителя. Долната страна на съда за запичане трябва да бъде поне 5 мм над ротативната чиния. Неправилната употреба може да причини счупване на ротативната чиния.
Кухненски съдове	Само най-подходящите за използване в микровълнова фурна. Спазвайте инструкциите на производителя. Не използвайте напукани или нацърбени съдове.
Съдълен буркани	Винаги отстранявайте капака. Използвайте ги само за леко затопляне на храните. Повечето съдълен буркани не са топлоустойчиви и може да се счупят.
Съдълен съдове	Само съдове от топлоустойчиво стъкло, които може да се използват в микровълнова фурна. Уверете се, че нямат метални орнаменти. Не използвайте напукани или нацърбени съдове.
Торбички за печене	Спазвайте инструкциите на производителя. Не затваряйте с метална връзка. Направете разрези, за да позволите на парата да излиза.
Хартиени чинии и чаши	Да се използват само за краткотрайно готвене/затопляне. Не оставяйте фурната без надзор по време на готвене.
Кухненска хартия	Да се използва за покриване на храните с оглед претопляне и абсорбиране на мазнина. Да се използва под наблюдение, само за краткотрайно готвене.
Хартия за печене	Използвайте като покривало за предотвратяване на пръски или за готвене с пара.
Пластмасови предмети	Само най-подходящите за използване в микровълнова фурна. Спазвайте инструкциите на производителя. Трябва да бъдат етикетирани с надпис „Безопасно за използване в микровълнова фурна“. Някои пластмасови контейнери омекват, докато се нагряват храните вътре. „Торбичките за варене“ и херметически затворените найлонови торбички трябва да се нарязват, пробиват или отварят съгласно указанията върху опаковката.
Пластмасово фолио	Само най-подходящото за използване в микровълнова фурна. Да се използва за покриване на храните по време на готвене, за да се задържа влагата. Не позволявайте пластмасовото фолио да се допира до храните.
Термометри	Само най-подходящите за употреба в микровълнова фурна (термометри за месо и сладкиши).
Восъчна хартия	Използвайте като покривало за предотвратяване на пръски или за задържане на влагата.

Материали, които трябва да се избягват да се използват в микровълнова фурна.

Прибори	Забележки
Алуминиева тава	Може да предизвика образуването на електрическа дъга. Прехвърлете храните в подходящ съд за използване в микровълнова фурна.
Кутия за храни с метална дръжка	Може да предизвика образуването на електрическа дъга. Прехвърлете храните в подходящ съд за използване в микровълнова фурна.
Метални прибори или с метални орнаменти	Металът предпазва храните от енергията, генерирана от микровълновата фурна. Металните орнаменти могат да предизвикат образуването на електрическа дъга.
Метални връзки	Може да предизвикат образуването на електрическа дъга и може да причинят пожар във фурната.
Хартиени торбички	Могат да предизвикат пожар във фурната.
Пластмасова пяна	Пластмасовата пяна може да се стопи или може да замърси течността вътре, когато е изложена на високи температури.
Дърво	Дървото изсъхва, когато се използва в микровълнова фурна и може да се разцепи или напука.

Факторите по-долу могат да засегнат резултата от приготвянето:

#### Разполагане на храните

Разположете по-дебелите части на храните към външната част на въртящата се чиния, а по-тънките към нейната среда. Ако е възможно, не поставяйте храните едни върху други.

#### Времетраене на приготвянето

Започнете процеса с намалено времетраене за приготвяне, вижте резултата, след това увеличете времетраенето според случая. Прекомерно дългото приготвяне може да образува дим или изгаряния.

#### Равномерно приготвяне на храните

Продукти като пилешко месо, хамбургери или пържоли трябва да се обръщат по време на приготвяне.

В зависимост от вида на храната, ако е необходимо, размесвайте в съда откъм външната страна към средата, един път или два пъти.

#### Оставете храните да се "смесят"

След приключване на приготвянето, оставете храните във фурната за адекватен период от време, като им позволите да се "смесят" и да изстинат постепенно.

#### Проверка на храните

Проверете цвета и гъстотата на храните, за да се уверите, че са добре пригответени:

- Проверете дали парата излиза от цялата повърхност на препарата, не само от края
- Проверете дали ставите на пилешкото месо могат да бъдат раздвижени с лекота
- Уверете се, че в свинското или птичето месо няма вече кръв
- Уверете се, че рибата е непрозрачна и може да бъде нарязана лесно с вилица

#### Използване на специален съд за препичане

Тогава, когато използвате съд за препичане или съд за автоматично затопляне, винаги поставяйте под него термоустойчив изолатор, като порцеланова чиния, за да се предотврати повреждането на въртящата се чиния и въртящия се пръстен.

**Използване на стреч фолио**

Тогава, когато приготвяте храни с високо съдържание на мазнини, не оставяйте стреч фолиото да контактува с храните, защото може да се разтопи.

**Използване на съответстващи пластмасови съдове**

Възможно е определени пластмасови съдове за микровълни да не са подходящи за приготвяне на храни с високо съдържание на мазнини или захар. Също така, времетраенето за претопляне, посочено в наръчниците с инструкции на съдовете, не трябва да се превишава.

## 7. ПОЧИСТВАНЕ И ПОДДРЪЖКА

### ПОЧИСТВАН

Уверете се, че изключвате уреда от източника на захранване с електроенергия.

1. След употреба почиствайте вътрешността на фурната с леко влажна кърпа.
2. Периодично почиствайте аксесоарите във вода с препарат за миене.
3. Рамката и уплътнението на вратата, както и съседните компоненти, трябва да се почистват внимателно с влажна кърпа, когато се замърсят.
4. Не използвайте абразивни почистващи препарати или телчета за съдове с цел почистване на стъклото на вратата на фурната, тъй като може да се надраска или счупи.
5. Препоръка за почистване --- За по-лесно почистване на вътрешните стени, върху които може да има готвена храна: Поставете половин лимон в купа, добавете 300 мл вода и използвайте микровълновата фурна на пълна мощност (100%) за 10 минути. Избърсвайте фурната с мека и суха кърпа.

Тестване на прибори:

1. Напълнете подходящ контейнер за използване в микровълнова фурна с 1 чаша студена вода (250 мл) заедно с прибора, който искате да тествате.
2. Включете уреда на пълна мощност за 1 минута.
3. Докоснете внимателно прибора. Ако приборът е топъл, не го използвайте за готвене с микровълни.
4. Не надвишавайте продължителността от 1 минута.

**Внимание: РАДИАЦИИ НА МИКРОВЪЛНИ**

1. Има електрическа енергия в кондензатора за високо напрежение след изключване от източника на захранване. Направете късо-съединение между негативния полюс на кондензатора за високо напрежение и рамката на фурната (използвайте отвертка), за да го разредите, преди да го докоснете.
2. По време на извършване на ремонти, компонентите по-долу могат да бъдат подменени и имат електрически потенциал над 250 V:
  - Магнетрон;
  - Трансформатор за високо напрежение;
  - Кондензатор за високо напрежение;
  - Диод за високо напрежение;
  - Предпазител за високо напрежение.
3. Описаните по-горе обстоятелства могат да намалят прекомерното излагане на действието на микровълните:
  - Несъответстващото инсталиране на магнетрона;
  - Неправилното монтиране на пантите, на вратата или на системата за блокиране на вратата;

- Несъответстващото инсталиране на прекъсвача;
- Вратата, уплътнението на вратата или корпусът са повредени.

## 8. ОТСТРАНЯВАНЕ НА НЕИЗПРАВНОСТИ

Нормално	
Микровълновата фурна смущава приемането на телевизионен сигнал.	Работата на микровълновата фурна може да причини смущения в радио или телевизионното приемане. Те са подобни на смущенията, причинени от малки електрически уреди като миксери, прахосмукачки и електрически вентилатори. Това е нормално.
Светлината на фурната е слаба	Когато готвите с микровълни при ниска мощност, светлината на фурната може да е слаба. Това е нормално.
Парата се натрупва близо до вратата, излиза горещ въздух през вентилационните отвори.	По време на готвене от храната може да излиза пара. Голяма част от тази пара излиза през вентилационните отвори. Въпреки това, част от тази пара може да се натрупа близо до вратата на фурната. Това е нормално.
Фурната е включена случайно без храна вътре.	Не е позволено използването на уреда без храна вътре. Това е много опасно.

Проблем	Възможна причина	Решения
Фурната не може да се включи.	(1) Захранващият кабел не е свързан по съответстващ начин.	Извадете щепсела от контакта. Изчакайте 10 секунди, след което го включете отново в контакта.
	(2) Предпазителят е изгорял или прекъсвачът се е задействал.	Сменете предпазителя или вдигнете прекъсвача (ремонтиран от квалифициран персонал).
	(3) Проблеми с електрическия контакт.	Тествайте контакта с други електрически уреди.
Фурната не се нагрява.	(4) Вратата не е добре затворена.	Затворете вратата по съответстващ начин.

## СЕРВИЗ И ОБСЛУЖВАНЕ НА КЛИЕНТИ

Използвайте само оригинални резервни части.

Когато се свързвате с нашия оторизиран сервизен център, уверете се, че имате под ръка следната информация: Наименование на модела и сериен номер.

Информацията може да бъде намерена на табелката с технически данни. Те подлежат на промяна без предварително уведомление.

## ТЕХНИЧЕСКИ ДАННИ

Модел	HMW-MD20IWH
Номинално напрежение	230-240 V~ 50 Hz
Микровълнов вход	1020 W
Микровълнова мощност	700 W

**Изхвърляне на отпадъците по начин, отговорен за околната среда**

Можете да помогнете за опазването на околната среда!

Моля спазвайте местните разпоредби: Предайте нефункциониращото електрическо оборудване на център за събиране на отпадъци от електрическо оборудване.

**HEINNER е регистрирана марка на компанията Network One Distribution SRL.**

Останалите търговски марки и наименованията на продуктите са търговски марки или регистрирани търговски марки на съответните им притежатели.

Нито една част от спецификациите не може да бъде възпроизвеждана под каквато и да е форма или средство, или използвана за получаване на производни като преводи, трансформации или адаптации, без предварителното съгласие на компанията NETWORK ONE DISTRIBUTION.

Copyright © 2013 Network One Distribution. Всички права запазени.

[www.heinner.com](http://www.heinner.com), <http://www.nod.ro>



Този продукт е проектиран и произведен в съответствие със стандартите и нормите на Европейската общност.

**Вносител: Network One Distribution**

ул. Марчел Янку № 3-5, Букурещ, Румъния

Тел: +40 21 211 18 56, [www.heinner.com](http://www.heinner.com) , [www.nod.ro](http://www.nod.ro)

# MIKROHULLÁMÚ SÜTŐ

Modell:

HMW-MD20IVWH



- Mikrohullámú sütő
- Teljes kapacitás: 19L

**HEINNER**

## 1. BEVEZETŐ

Kérjük, figyelmesen olvassa el az utasításokat, és őrizze meg a kézikönyvet későbbi tanulmányozás céljából.

A kézikönyv célja a készülék beszerelésével, használatával és karbantartásával kapcsolatos minden szükséges tudnivalót rendelkezésére bocsátani. A készülék helyes és biztonságos használata érdekében, kérjük, hogy beszerelés és használat előtt olvassa el figyelmesen a használati kézikönyvet.

## 2. AZ ÖN CSOMAGJÁNAK TARTALMA

- ➔ Mikrohullámú sütő
- ➔ Használati kézikönyv
- ➔ Jótállási bizonylat

## 3. AZ ÖN CSOMAGJÁNAK TARTALMA

### ÁLTALÁNOSSÁGOK

**FIGYELMEZTETÉS: NE KAPCSOLJA BE A MIKROHULLÁMÚ SÜTŐT, HA BELSEJÉBEN NEM TALÁLHATÓ ÉTELT VAGY FOLYADÉKOT TARTALMAZÓ EDÉNY, EZ A SÜTŐ MEGHIBÁSODÁSÁHOZ VEZETHET.**

**FIGYELMEZTETÉS:** Ha az ajtó/ajtótömítés megsérült, ne használja a készüléket, amíg azt szakképzett személy meg nem javítja.

**FIGYELMEZTETÉS:** Szakképzett szerelőkön kívül mindenki más számára veszélyes olyan karbantartási vagy javítási művelet végezni, amely a mikrohullámú energia kisugárzása elleni védelmet biztosító burkolat eltávolításával jár. **FIGYELMEZTETÉS:** Ne melegítsen folyadékokat vagy más élelmiszereket légmentesen lezárt edényekben, mert azok felrobbanhatnak. Ha szivárgás következik be a hőcserélő alkatrészeinek károsodása miatt, akkor a hűtőszekrényt távolítsa el a nyílt láng vagy hőforrások közeléből és szellőztesse néhány percig a helyiséget, ahol a készülék található.

1. A mikrohullámos sütőben csakis mikrózható, megfelelő edényeket használjon.
2. Ne használjon fém folyadék- vagy ételedényeket a mikrohullámú sütőben.
3. Az élelmiszerek műanyag vagy papír edényekben való melegítésekor fennáll a lángra lobbanás veszélye. Ennek érdekében a melegítési folyamatot állandó felügyelet mellett végezze.
4. A mikrohullámú sütő élelmiszerek és italok felmelegítésére szolgál. Étel vagy ruha szárítása, melegítőpárna, papucs, nedves szivacs, rongy vagy más hasonló tárgy melegítése sérülést, robbanást vagy tüzet okozhat.
5. Ha füstöt észlel, kapcsolja ki a készüléket, vagy húzza ki a csatlakozót az áramforrásból, és tartsa zárva az ajtót, hogy elnyomja a lángokat. Az italok mikrohullámú melegítése a hosszan tartó forralás miatt fröccsenéshez vezethet, ezért az edény kezelésénél különös óvatossággal kell eljárni.
6. Az égési sérülések elkerülése érdekében rázza fel a cuclisüvegeket vagy a bébiételeket vagy keverje össze azok tartalmát, a gyermekek etetése előtt pedig ellenőrizze az élelmiszerek hőmérsékletét.
7. Ne melegítsen a sütőben egész tojást héjában vagy főtt tojást, mivel ezek a melegítési művelet befejezése után is szétduzzanhatnak. -
8. Ha nem tartja tisztán a sütőt, sérülhetnek a felületei, működési időtartama csökkenhet, akár veszélyes helyzetek is létrejöhetnek.



9. A készüléket nem szabad szekrénybe szerelni.
10. Legyen óvatos, hogy ne mozdítsa el a forgótányért, amikor kiveszi az edényeket a készülékből.
11. A készüléket nem szabad gőztisztítóval tisztítani.
12. A készüléket nem szabad 900 mm-nél magasabban felszerelni a padlótól. A sütő felső felülete felett szükséges távolság: lásd a beépítési ábrát.

**FIGYELMEZTETÉS:** A kombinációs módon való sütéskor a gyermekek csak felnőtt felügyelete mellett használhatják a sütőt, mivel ilyenkor nagyon nagy hőmérsékletek keletkeznek a sütőben.

13. A veszélyek elkerülése érdekében, ha a tápkábel megsérült, azt a gyártónak, a szervizközpontnak vagy hasonlóan képzett személynek kell kicserélnie.
14. Ezt a készüléket 8 éven felüli gyermekek és szellemileg fogyatékos- sérült vagy tapasztalattal nem rendelkező emberek csak akkor használhatják, ha az értük felelős személy felügyeli őket, illetve előzetesen megértette velük a készülék biztonságos használatát.
15. A gyermekeknek tilos játszani a készülékkel.
16. A berendezés tisztítását és karbantartását gyerekek felnőttek felügyeletének hiányában nem végezhetik.
17. A készülék beszerelése után a csatlakozóaljzatnak könnyen hozzáférhetőnek kell maradnia.
18. Ezt a készüléket nem szabad ajtóval ellátott szekrénybe szerelni.
19. A termék belső LED-es fényforrásának fényáramlása < 60lm.
20. A használat során a készülék felforrósodik. Kerülje a sütő belsejében lévő melegítő elemek érintését.

**FIGYELMEZTETÉS:** Az elérhető alkatrészek használat során felforrósodhatnak. Tartsa távol a készüléktől a kisgyermeket.

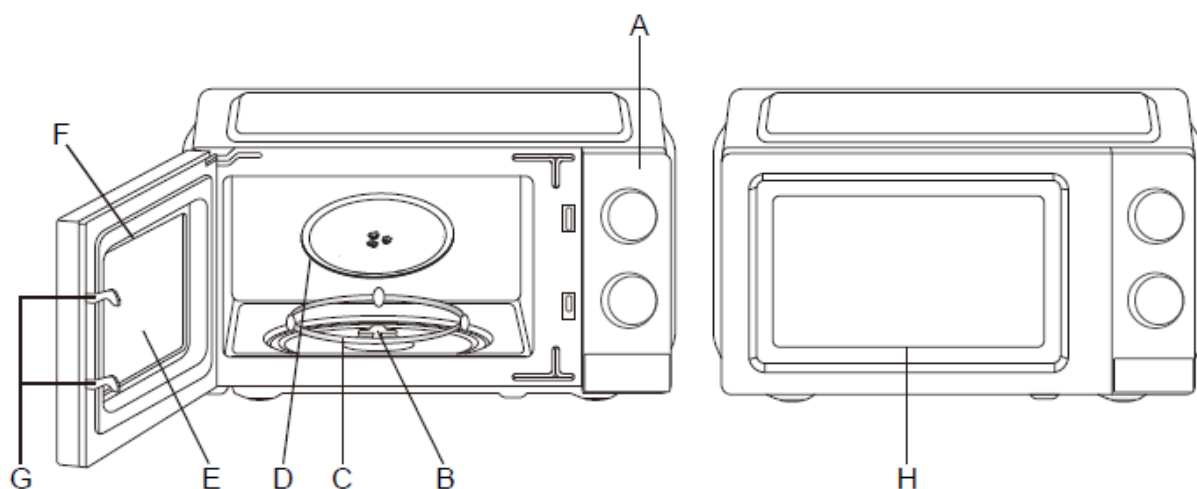
**FIGYELMEZTETÉS:** A készülék és hozzáférhető felületei ahasználat során felforrósodhatnak.

21. Kerülje a felforrósodott felületek megérintését.
22. Tartsa távol a készüléktől a 8 évnél kisebb gyermekeket, ha nincsenek állandó felügyelet alatt.
23. A sütő ablakának tisztításához ne használjon dörzshatású tisztítószeret vagy fémszivacsot, mert ezek megkarcolhatják az ablak felületét vagy eltörhetik azt.
24. A túlmelegedés elkerülése érdekében a készüléket egy díszajtó mögé szerelje fel. A készüléket 8 év fölötti gyerekek és korlátozott fizikai, érzékszervi vagy mentális képességekkel rendelkező, illetve a megfelelő tapasztalattal és jártassággal nem rendelkező személyek csak felügyelet mellett használhatják, vagy ha felkészítették őket a készülék biztonságos használatára, illetve ha tisztában vannak a helytelen használat veszélyeivel. A gyermekeknek tilos játszani a készülékkel. A polcok helyes felszerelésére vonatkozó adatok nélkül a tisztítást és karbantartást gyermekek nem végezhetik.

## MEGJEGYZÉSEK:

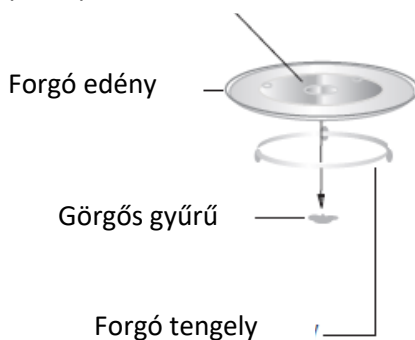
- Kérjük, a termék használata előtt olvassa el figyelmesen a használati útmutatót. A készülék nem rendeltetésszerű használatából eredő sérülésekért nem vállalunk semmilyen felelősséget.
- Kövesse a gépen és a használati utasításban leírtakat, és tartsa biztonságos helyen a kézikönyvet a jövőben felmerülő problémák megoldásához.
- Ez a készülék otthoni használatra készült, és nem használható egyéb, mint a megadott célokra. Nem alkalmas kereskedelmi vagy közös használatra. Az ilyenszerű használat érvényteleníti a készülék garanciáját, és cégünk nem vállal felelősséget a bekövetkező veszteségekért.
- Ez a készülék otthoni használatra készült, és csak élelmiszer hűtésére / tárolására alkalmas. Nem alkalmas kereskedelmi vagy közös használatra és / vagy egyéb, mint élelmiszer tárolására. Cégünk nem vállal felelősséget az eltérő esetben bekövetkező veszteségekért.

## 4. A TERMÉK LEÍRÁSA



- A. Vezérlő panel
- B. Görgős gyűrű
- C. Forgó tengely
- D. Forgó edény
- E. Betekintő ablak
- F. Ajtószerelvény
- G. Biztonsági reteszelő rendszer
- H. PET Ajtó

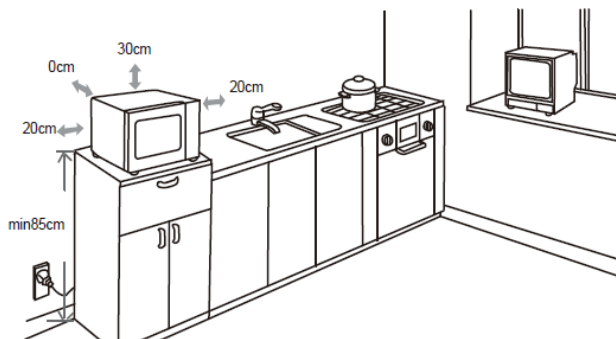
Központi pont



- a. Semmiféleképpen ne helyezze a forgó tányért lefelé felülről lefelé.  
A forgó tányérnak egyenletesen kell forognia.
- b. A forgótányért és a forgókarikát mindig használni kell az előkészítés során.
- c. Gondoskodjon arról, hogy minden élelmiszer és ételtároló edény az előkészítéshez a forgótányérra kerüljön.
- d. Ha a forgótányér vagy a forgógyűrű megreped vagy eltörik, forduljon a legközelebbi hivatalos szervizközpontoz.

## 5. BESZERELÉS

Válasszon egy sík felületet, amely elegendő szabad helyet biztosítson a be- és/vagy kivezetés számára szellőzőnyílások számára.



(1) A minimális beépítési magasság 85 cm.

(2) A készülék hátuljának fal mellett kell lennie.

A sütő fölött legalább 30 cm helyet kell hagyni. A sütő és a szomszédos falak között legalább 20 cm helyet kell hagyni.

(3) Ne távolítsa el a lábakat a sütő aljáról.

(4) A be- és/vagy kimeneti nyílások eltömítése a sütő károsodását eredményezheti.

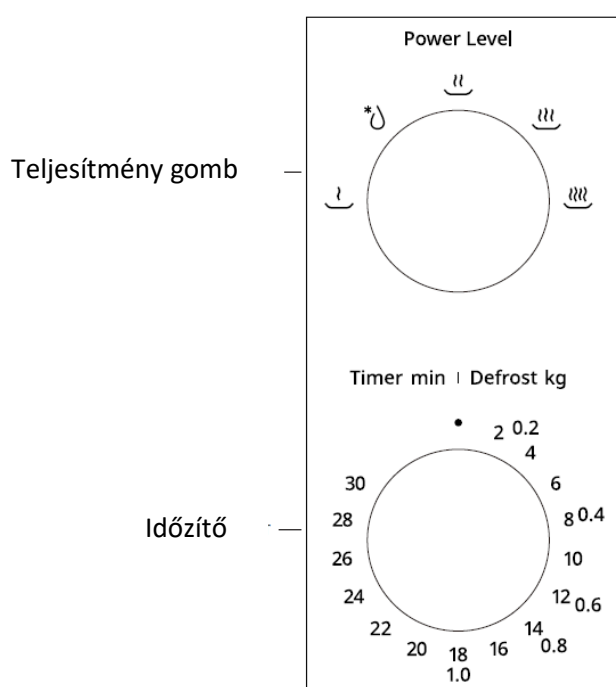
(5) A sütőt a lehető legtávolabb helyezze el rádióktól és televíziókészülékektől.

A mikrohullámú sütő működése zavarhatja a rádió- vagy TV-vételt.



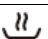

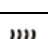
2. Csatlakoztassa a mikrohullámú sütőt egy szabványos háztartási konnektorba. Győződjön meg arról, hogy a készülék címtábláján feltüntetett feszültség és frekvencia megfelel a felhasználás helyén rendelkezésre álló feszültségnek és frekvenciának.

**FIGYELMEZTETÉS:** Ne helyezze a sütőt tűzhely vagy más hőtermelő készülék fölé. Ha a sütőt hőforrás közelébe vagy fölé telepíti, a sütő megsérülhet, ami a garancia érvénytelenségét vonja maga után.

## 6. A KEZELŐPANEL HASZNÁLATA



- 1.A főzési teljesítmény beállítása a teljesítménygomb elforgatásával a kívánt szintre.
- 2.A főzési idő beállítása az időzítő gomb elforgatásával a kívánt időre per az étel főzési útmutatója szerint.
- 3.A mikrohullámú sütő automatikusan megkezdi a főzést, miután teljesítményszint és az idő beállítása után.
- 4.Amikor a főzési idő letelt, a készülék "Dong" jelzéssel leáll.
- 5.Ha a készülék nincs használatban, mindig állítsa be a az időt "0"-ra.

Funkció/Teljesítmény	Kimeneti teljesítmény	Alkalmazás
	17% Kimeneti teljesítmény	Lágyítsa a jégkrémet
	33% Kimeneti teljesítmény	Leves pörkölt, vaját lágyítani vagy kiolvasztani
	55% Kimeneti teljesítmény	Pörkölt, hal
	77% Kimeneti teljesítmény	Rizs, hal, csirke, darált hús
	100% Kimeneti teljesítmény	Újramelegítés, tej, forrásban lévő víz, zöldség, ital

**Értesítés:** Amikor kiveszi az ételt a sütőből, győződjön meg róla, hogy a sütő áramellátása kikapcsolt állapotban van az időzítő kapcsoló 0-ra való fordításával. Ennek elmulasztása és a mikrohullámú sütő működtetése anélkül, hogy étel lenne benne, túlmelegedést és a magnetron károsodását eredményezheti.

## AZ ELKÉSZÍTÉSRE VONATKOZÓ TANÁCSOK

Mikrohullámú sütőben használható anyagok

Tárgyak	Megjegyzések
Sütőedény	Kövesse a gyártó utasításait. A sütőedény aljának legalább 5 mm-rel a forgótányér fölött kell lennie. A helytelen használat a forgótányér törését okozhatja.
Étkészlet	Csak a mikrohullámú sütőben való használatra alkalmas. Kövesse a gyártó utasításait. Ne használjon repedt vagy törött edényeket.
Befőttesüveg	Mindig vegye le a fedelet. Csak kíméletesen melegítse az ételt. A legtöbb üvegedény nem hőálló, és eltörhet.
Üvegedények	Csak hőálló üvegedények, amelyek mikrohullámú sütőben is használhatók. Ügyeljen arra, hogy ne legyenek díszekkel ellátva. Ne használjon repedt vagy törött edényeket.
Sütőzsákok	Kövesse a gyártó utasításait. Ne zárjon fém rögzítőelemmel. A gőz távozását lehetővé tevő vágásokat készítsen.
Papírtányérok és poharak	Csak rövid távú főzéshez/fűtéshez használja. Ne hagyja felügyelet nélkül a sütőt főzés közben.
Papírtörő	Újramelegítéshez és a zsiradék felszívásához az ételek lefedésére használható. Felügyelet mellett, csak rövid ideig tartó főzéshez használható.
Sütőpapír	Használja bevonatként a szétfröccsenés megakadályozására vagy gőzöléshez.
Műanyag tárgyak	Csak mikrohullámú sütőben való használatra alkalmasak. Kövesse a gyártó utasításait. „Mikrohullámú sütőben való használatra biztonságos” felirattal kell rendelkeznie. Egyes műanyag edények megpuhulnak, ahogy a bennük lévő étel felmelegszik. A „főzőtasakokat” és a lezárt műanyag zacskókat a csomagoláson feltüntetett módon kell felválni, átlyukasztani vagy kinyitni.
Műanyag fólia	Csak a mikrohullámú sütőben való használatra alkalmas. Használja az ételek lefedésére főzés közben, hogy megőrizze a nedvességet. Ne hagyja, hogy a műanyag fólia az ételhez érjen.
Hőmérők	Csak mikrohullámú sütőben való használatra alkalmasak (hús- és cukrászati hőmérők).
Viaszpapír	Használja bevonatként a fröccsenés megakadályozására vagy a nedvesség megtartására.

Olyan anyagok, amelyek használatát mikrohullámú sütőben kerülni kell.

Konyhaeszközök	Megjegyzések
Alumínium tálca	Elektromos ívképződést okozhat. Helyezze át az ételt mikrohullámú sütőben való használatra alkalmas edénybe.
Élelmiszerdoboz fém fogantyúval	Elektromos ívképződést okozhat. Helyezze át az ételt mikrohullámú sütőben való használatra alkalmas edénybe
Fémből készült vagy fémdíszítésű eszközök	A fém megvédi az ételt a mikrohullámú sütő által termelt energiától. A fémdíszek elektromos íveket okozhatnak.
Fém kötőelemek	Elektromos íveket okozhat és tüzet okozhat a sütőben.
Papírzacskók	Tüzet okozhat a sütőben.
Műanyag hab	A műanyag hab megolvadhat vagy szennyezheti a benne lévő folyadékot, ha magas hőmérsékletnek van kitéve.
Fa	A fa kiszárad, ha mikrohullámú sütőben használják, és meghasadhat vagy megrepedhet.

Az alábbi tényezők befolyásolhatják a készítés eredményét.

#### Az ételek elrendezése

Az ételek vastagabb felét helyezze a forgótányér széle fele, a vékonyabb részüket pedig a közepére. Ha lehetőség van rá, ne helyezze egymásra az ételeket.

#### A elkészítés időtartama

A folyamatot egy rövidebb készítési időtartammal kezdje, figyelje meg az eredményt, majd szükség esetén növelje az időtartamot. A túl hosszú főzési időtartam füstölést vagy odaégést eredményezhet.

#### Az ételek egyenletes elkészítése

Az olyan élelmiszereket, mint a baromfi, hamburger vagy sülték, készítés közben meg kell forgatni. Az étel típusától függően, szükség esetén, az edényben egyszer vagy kétszer kavargassa meg a szélétől a közepe felé.

#### Hagyja az ételeket „összeérni”

Az főzés befejezése után, hagyja az ételeket megfelelő ideig a sütőben, hogy az ízek „összeérjenek”, és hogy fokozatosan hűljön ki.

#### Az ételek ellenőrzése

Ellenőrizze az ételek színét és állagát, hogy meggyőződjön arról, hogy megfelelő módon elkészültek:

- Ellenőrizze, hogy a készítménynek nem csak a széle, hanem az egész felülete gőzöl
- Ellenőrizze, hogy a baromfi ízületei könnyen mozgathatók
- Győződjön meg arról, hogy a disznó- és a baromfi hús jól elkészült
- Győződjön meg arról, hogy a hal nem áttetsző és villával könnyen darabolható

#### Csak sütéshez való tál használata

Sütéshez való tál vagy önmelegedő edény használata esetén, a forgó tányér és a görgős gyűrű megrongálódásának elkerülése végett helyezzen ezek alá mindig egy hőálló szigetelőt, pl. egy porcelán tányért.

#### Műanyag fólia használata

Ha magas zsírtartalmú ételt készít, ne hagyja a fóliát az étellel érintkezni, mert megolvadhat.

### **Megfelelő műanyag edények használata**

Előfordulhat, hogy egyes mikrohullámmal főzésre alkalmas műanyag tálak nem felelnek meg nagy zsír- vagy cukor tartalmú ételek készítésére. Ugyanakkor ne haladja meg az edények használati kézikönyvében feltüntetett előmelegítési időtartamot.

## **7. TISZTÍTÁS ÉS KARBANTARTÁS**

### **TISZTÍTÁS**

Feltétlenül válassza le a készüléket az áramforrásról.

1. Használat után enyhén nedves ruhával tisztítsa meg a sütő belsejét.
2. Rendszeresen tisztítsa meg a tartozékokat mosószeres vízben.
3. Az ajtókeretet és az ajtókárpitot, valamint a környező alkatrészeket óvatosan, nedves ruhával kell megtisztítani, ha szennyeződnek.
4. A sütő ajtajának üvegét ne tisztítsa súrolószerekkel vagy fémszivaccsal, mert megkarcolódhat vagy eltörhet.
5. Tisztítási javaslat --- A belső falak könnyebb tisztításához, ahol a főtt ételek hozzáérhetnek: Tegyen egy fél citromot egy tálba, adjon hozzá 300 ml vizet, és 10 percig teljes teljesítményen (100%) mikrohullámú sütőben melegítse. Törölje át a sütőt puha, száraz ruhával.

Eszközök tesztelése:

1. Töltsön meg egy mikrohullámú sütő használatára alkalmas edényt 1 csésze hideg vízzel (250 ml) és a vizsgálni kívánt eszközzel együtt.
2. Futtassa a készüléket teljes teljesítményen 1 percig.
3. Óvatosan érintse meg az edényt. Ha az edény forró, ne használja mikrohullámú sütéshez.
4. Ne lépje túl az 1 percet.

### **JAVÍTÁSSAL KAPCSOLATOS ÓVINTÉZKEDÉSEK**

**Figyelem:** MIKROHULLÁM KISUGÁRZÁS

1. A magas feszültségű kondenzátorban villamos áram található a tápforrásról való lecsatlakoztatás után is. Zárja rövidre a magasfeszültségű kondenzátor negatív pólusát a sütő vázával (használgjon egy csavarhúzó), hogy áramtalanítsa, mielőtt hozzáér.
2. A javítás elvégzése alatt az alábbi alkotóelemek cserélhetők ki, amelyek elektromos feszültsége 250 V feletti.
  - Magnetron
  - Magas feszültségű transzformátor
  - Magas feszültségű kondenzátor
  - Magas feszültségű dióda
  - Magas feszültségű biztosíték
3. A fent leírt körülmények a mikrohullámú energia-kisugárzás túlzott hatásának való kitételhez vezethetnek:
  - A magnetron nem megfelelő beszerelése;
  - Az ajtó elzáró rendszerének, az ajtópántnak vagy az ajtónak a helytelen felszerelése;
  - A kapcsoló helytelen felszerelése;
  - Az ajtó, az ajtó tömítés vagy a burkolat megsérültek.

## 8. HIBAELHÁRÍTÁS

Normál	
A mikrohullámú sütő zavarja a TV vételt	A mikrohullámú sütő működése zavarhatja a rádió- vagy TV-vételt. Ez hasonló az olyan kis elektromos készülékek, mint a turmixgépek, porszívók és elektromos ventilátorok által okozott interferenciához. Ez normális.
A sütő fénye halványan világít	Alacsony teljesítményű mikrohullámú sütés esetén a sütő fénye halványan világíthat. Ez normális.
Gőz képződik az ajtónál, a forró levegő a szellőzőn keresztül távozik.	A főzés során gőz távozhat az ételből. A gőz nagy része a szellőzőnyílásokon keresztül távozik. A gőz egy része azonban a sütő ajtajánál összegyűlhet. Ez normális.
A sütő véletlenül úgy indult be, hogy nem volt benne étel.	A készüléket nem szabad úgy használni, hogy nincs benne étel. Ez nagyon veszélyes.

Probléma	Lehetséges ok	Megoldások
A sütő nem kapcsolható be.	(1) A tápkábel nincs megfelelően csatlakoztatva.	Húzza ki a csatlakozót a konnektorból. Várjon 10 másodpercet, majd dugja vissza.
	(2) A biztosíték kialudt vagy az áramkör-megszakító aktiválódott.	Cserélje ki a biztosítékot vagy állítsa vissza a megszakítót (szakképzett személyzet által javítva).
	(3) Problémák a csatlakozóaljzattal.	Tesztelje az aljzattal más elektromos készülékekkel.
A sütő nem melegít	(4) Az ajtó nincs megfelelően bezárva.	Zárja be megfelelően az ajtót.

## SZERVIZ ÉS ÜGYFÉLSZOLGÁLAT

Kizárólag eredeti cserealkatrészeket használjon.

Mielőtt felvenné a kapcsolatot az engedélyezett szakszervizünkkel, győződjön meg róla, hogy a következő adatok a rendelkezésére állnak: Modell megnevezése és sorozatszám.

Ezeket az adatokat a készülék műszaki adattábláján találja. Ezek az adatok előzetes értesítés nélkül is megváltoztathatók.

## MŰSZAKI ADATOK

Modell	HMW-MD20IWH
Névleges feszültség	230-240 V~ 50 Hz
Mikrohullámú bemenet	1020 W
Mikrohullámú kimenet	700 W



### A hulladékok környezetfelelős eltávolítása

Segíthet a környezet védelmében!

Kérjük, tartsa be a helyi rendelkezéseket: a nem működő elektromos berendezéseket a használt elektromos hulladékokat gyűjtő központba szolgáltatassa be.



A **HEINNER** a **Network One Distribution SRL(KFT)** társaság által bejegyzett védjegy. A többi márkajelzés és a termékek megnevezése kereskedelmi vagy az illető birtoklók által bejegyzett márkanevek.

A leírtak egyetlen része sem használható fel semmilyen formában, még lefordított, átalakított változatban sem, a NETWORK ONE DISTRIBUTION előzetes beleegyezése nélkül.

Copyright © 2013 Network One Distribution. Minden jog fenntartva.

[www.heinner.com](http://www.heinner.com), <http://www.nod.ro>



A terméket az Európai Közösség előírásainak és jogszabályainak megfelelően tervezték és gyártották.



Importőr: **Network One Distribution**

Marcel Iancu utca, 3-5 szám, Bukarest (București), Románia

Tel: +40 21 211 18 56, [www.heinner.com](http://www.heinner.com) , [www.nod.ro](http://www.nod.ro)