

# GAS COOKER

Model:

HFSC-S60LITGWH / HFSC-S60LITGSL



- Gas cooker, 4 burners
  - 50 x 60 cm

**HEINNER**

## 1. INTRODUCTION

Please read the instructions carefully and keep the manual for future information.

This manual is designed to give all necessary instructions concerning installation, use and maintenance of the unit. In order to operate the unit correctly and safely, please read this instruction manual carefully before installation and use.

## 2. CONTENT OF YOUR PACKAGE

- ➔ **Gas cooker**
- ➔ **User manual**
- ➔ **Warranty card**

## 3. CONTENT OF YOUR PACKAGE

### GENERAL

1. Installation and repair should always be performed by "AUTHORIZED SERVICE". Manufacturer shall not be held responsible for operations performed by unauthorized persons.
2. Please read these operating instructions carefully. Only by this way you can use the appliance safely and in a correct manner.
3. The oven should be used according to operating instructions.
4. Keep children below the age of 8 and pets away when operating.
5. **WARNING:** The accessible parts may be hot while using the grill. Keep away from children.
6. **WARNING:** Fire hazard; do not store the materials on the cooking surface.
7. **WARNING:** The appliance and its accessible parts are hot during operation.
8. Setting conditions of this device are specified on the label. (Or on the data plate)
9. The accessible parts may be hot when the grill is used. Small children should be kept away.
10. **WARNING:** This appliance is intended for cooking. It should not be used for other purposes like heating a room.
11. To clean the appliance, do not use steam cleaners.
12. Ensure that the oven door is completely closed after putting food inside the oven.
13. NEVER try to put out the fire with water. Only shut down the device circuit and then cover the flame with a cover or a fire blanket.
14. Children under 8 years of age should be kept away if they cannot be monitored continuously.
15. Touching the heating elements should be avoided.
16. **CAUTION:** Cooking process shall be supervised. The cooking process shall always be supervised.
17. This device can be used by children over 8 years of age, people with physical, hearing or mental challenges or people with lack of experience or knowledge as long as control is ensured, or information is provided regarding the dangers.
18. This device has been designed for household use only.
19. Children must not play with the appliance. Cleaning or user maintenance of the appliance shall not be performed by children unless they are older than 8 years and supervised by adults.
20. Keep the appliance and its power cord away from children less than 8 years old.
21. Put curtains, tulle, paper or any flammable (ignitable) material away from the appliance before starting to use the appliance. Do not put ignitable or flammable materials on or in the appliance.

22. Keep the ventilation channels open.
23. The appliance is not suitable for use with an external timer or a separate remote-control system.
24. Do not heat closed cans and glass jars. The pressure may lead jars to explode.
25. Oven handle is not a towel drier. Do not hang towels, etc. on the oven handle.
26. Do not place the oven trays, plates or aluminium foils directly on the oven base. The accumulated heat may damage the base of the oven.
27. While placing food to or removing food from the oven, etc., always use heat resistant oven gloves.
28. Do not use the product in states like medicated and/or under influence of alcohol which may affect your ability of judgement.
29. Be careful when using alcohol in your foods. Alcohol will evaporate at high temperatures and may catch fire to cause a fire if it comes in contact with hot surfaces.
30. After each use, check if the unit is turned off.
31. If the appliance is faulty or has visible damage, do not operate the appliance.
32. Do not touch the plug with wet hands. Do not pull the cord to plug off, always hold the plug.
33. Do not use the appliance with its front door glass removed or broken.
34. Place the baking paper together with the food into a pre-heated oven by putting it inside a cooker or on an oven accessory (tray, wire grill etc.).
35. Do not put objects that children may reach on the appliance.
36. It is important to place the wire grill and tray properly on the wire racks and/or correctly place the tray on the rack. Place the grill or tray between two rails and make sure it is balanced before putting food on it.
37. Against the risk of touching the oven heater elements, remove excess parts of the baking paper that hang over from the accessory or container.
38. Never use it at higher oven temperatures than the maximum usage temperature indicated on your baking paper. Do not place the baking paper on the base of the oven.
39. When the door is open, do not place any heavy object on the door or allow children to sit on it. You may cause the oven to overturn or the door hinges to be damaged.
40. The packaging materials are dangerous for children. Keep packaging materials away from the reach of children.
41. Do not use abrasive cleaners or sharp metal scrapers to clean the glass as the scratches that may occur on the surface of the door glass may cause the glass to break.
42. Do not place the appliance on a surface covered with carpets. Electric parts get overheated since there will be no ventilation from below. This will cause failure of the appliance.
43. Do not hit glass surfaces of vitro-ceramic cookers with a hard metal, resistance can get damaged. It may cause an electric shock.
44. User should not handle the oven by himself.
45. User shall be careful when cleaning gas burners. It may cause personal injuries.
46. Food can spill when foot of oven is dismantled or gets broken, be careful. It may cause personal injuries.
47. During usage, the internal and external surfaces of the oven get hot. As you open the oven door, step back to avoid the hot vapour coming out from the interior. There is risk of burning.
48. Upper cover of the oven can be closed for a reason, then cookware can trip over. Step back to avoid the hot food coming on you. There is risk of burning.
49. Do not place heavy objects when oven door is open, risk of toppling.
50. User should not dislocate the resistance during cleaning. It may cause an electric shock.
51. Do not remove ignition switches from the appliance. Otherwise, live electric cables can be accessed. It may cause an electric shock.
52. Oven supply can be disconnected during any construction work at home. After completing the work, re-connecting the oven shall be done by authorized service.
53. Do not place metal utensils such as knife, fork, spoon on the surface of the appliance since they will get hot.
54. To prevent overheating, the appliance should not be installed behind a decorative cover.
55. Turn off the appliance before removing the safeguards. After cleaning, install the safeguards according to instructions.
56. Cable fixing point shall be protected.
57. **WARNING:** Don't use oven and grill burners at same time.
58. Please don't cook the food directly on the tray / grid. Please put the food into or on appropriate tools before putting them in the oven.
59. Hot surface, leave for cooling before closing the cover.

## GAS SAFETY

1. This appliance is not connected to burning products evacuation apparatus. This appliance must be connected and installed according to the installation regulations in force. Conditions regarding ventilation must be considered.
2. When a gas cooking appliance is used, humidity, heat and burning products are generated in the room. First, make sure the kitchen is well ventilated when operating the appliance and maintain natural ventilation openings or install mechanical ventilation equipment.
3. After using the appliance heavily for an extended period, additional ventilation may be required. For example, open a window or adjust a higher speed for mechanical ventilation, if any.
4. This appliance must be used only in well-ventilated locations in accordance with the regulations in force. Please read the manual before installing or using this product.
5. Before positioning the appliance, make sure local network conditions (gas type and gas pressure) meet appliance requirements.
6. The mechanism cannot be run for longer than 15 seconds. If the burner is not on after 15 seconds, stop the mechanism and wait for at least one minute before trying to ignite the burner again.
7. All kinds of operations to be performed on gas installation must be performed by authorized and competent people.
8. This appliance is adjusted for natural gas (NG). If you must use your product with a different gas type, you have to apply to an authorized service for the conversion.
9. For proper operation, hood, gas pipe and clamp should be replaced periodically according to manufacturer recommendations and when required.
10. Gas should burn well in gas products. Well, burning gas can be understood from blue flame and continuous burning. If gas does not burn sufficiently, carbon monoxide (CO) can be generated. Carbon monoxide is a colourless, odourless, and very toxic gas; even small amounts have lethal effect.
11. Ask your local gas suppliers about the phone numbers for emergencies related to gas and the measures to be taken upon gas odour is detected.

### What to do when gas odour is detected

1. Do not use naked flame, and do not smoke.
2. Do not operate any electrical switch. (For example: lamp switch or doorbell)
3. Do not use a telephone or mobile phone.
4. Open the doors and windows.
5. Close all valves on the appliances that utilize gas and the gas counters.
6. Call the fire brigade from a telephone outside the home.
7. Check all hoses and their connections against leaks. If you still smell gas, leave the house and warn your neighbours.
8. Do not enter the house until the authorities clarify it is safe.

### Intended Use

1. This product is designed for home use. Commercial use of the appliance is not permitted.
2. This appliance may only be used for cooking purposes. It shall not be used for other purposes like heating a room.
3. This appliance shall not be used to heat plates under the grill, dry clothes or towels by hanging them on the handle or for heating purposes.
4. The manufacturer assumes no responsibility for any damage due to misuse or mishandling.
5. Oven part of the unit may be used for thawing, roasting, frying and grilling food.
6. Operational life of the product you have purchased is 10 years. This is the period for which the spare parts required for the operation of this product as defined is provided by the manufacturer.

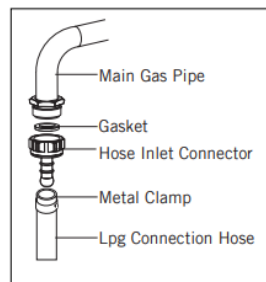
## 4. INSTALLATION

### Gas Connection

**WARNING:** Before starting any work related to gas installation, turn off gas supply. Risk of explosion. Please operate your oven in a dry atmosphere.

1. Fit the clamp to the hose. Push one of the hoses until it goes to the end of the pipe.
2. For the sealing control; ensure that the buttons in the control panel are closed, but the gas cylinder is open. Apply some soap bubbles to the connection. If there is gas leakage, there will be foaming in the soaped area.
3. The oven should be using a well ventilation place and should be installed on flat ground.
4. Re-inspect the gas connection.
5. When placing your oven in its location, ensure that it is at the counter level. Bring it to the counter level by adjusting the feet if necessary.
6. Do not make the gas hose and electrical cable of your oven go through the heated areas, especially through the rear side of the oven. Do not move the gas connected oven. Since the forcing shall loosen the hose, gas leakage may occur.
7. Please use a flexible hose for gas connection.

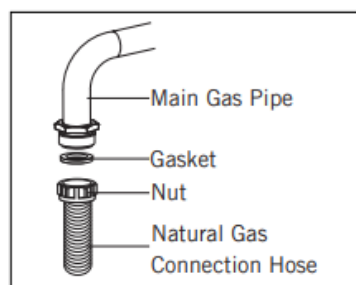
### For LPG connection



For LPG (cylinder) connection, affix metal clamp on the hose coming from LPG cylinder. Affix an edge of the hose-on-hose inlet connector behind the appliance by pushing to end through heating the hose in boiled water. Afterward, bring the clamp towards end section of the hose and tighten it with screwdriver. The gasket and hose inlet connector required for connection is as the picture shown below.

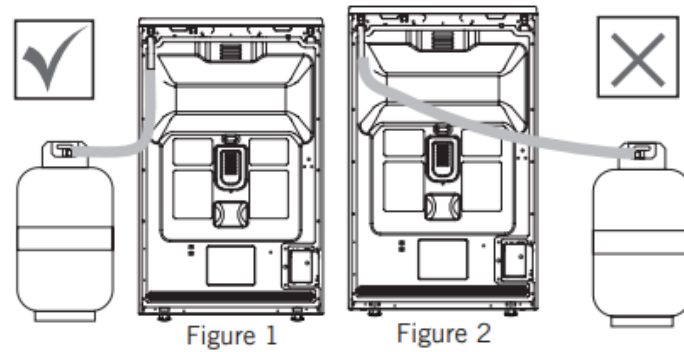
**NOTE:** The regulator to be affixed on LPG cylinder should have 300 mms feature.

### For natural gas connection



**WARNING:** Natural gas connection should be made by authorized service. For natural gas connection, place gasket in the nut at the edge of natural gas connection hose. To install the hose on the main gas pipe, turn the nut. Complete the connection by making gas leakage control.

## Gas hose passageway



Connect the appliance to the gas piping tap in the shortest possible route and in a way that ensures no gas leakage will occur. To carry on a tightness and sealing safety check ensure that the knobs on the control panel are closed and the gas cylinder is open.

**WARNING:** While performing a gas leakage check, never use any kind of lighter, match, cigarette, or similar burning substance. Apply soap bubbles on the connection points. If there is any kind of leakage, then it will cause bubbling. While inserting the appliance in place ensure that it is on the same level as the worktop. If required adjust the legs in order to make level with the worktop. Use the appliance on a level surface and in a well-ventilated environment.

**WARNING:** Before placing the appliance, check that the local distribution conditions (gas type and pressure) conform to the product settings.

### Nozzle change operation.

1. Please use a driver with a special head for removing and installing nozzle as. (Figure 3)
2. Please remove the nozzle (figure 4) from the burner with a special nozzle driver and install a new nozzle. (Figure 5).

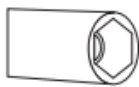


Figure 3



Figure 4



Figure 5

### Ventilation of room

The air needed for burning is received from the room air and the gases emitted are given directly in room. For the safe operation of your product, good room ventilation is a precondition. If no window or room to be utilized for room ventilation is available, additional ventilation should be installed. However, the room has a door opening outside, it is no needed to vent holes.

Room size	Ventilating opening
Smaller than 5 m <sup>3</sup>	min. 100 cm <sup>2</sup>
Between 5 m <sup>3</sup> - 10 m <sup>3</sup>	min. 50 cm <sup>2</sup>
Bigger than 10 m <sup>3</sup>	no need
In basement or cellar	min. 65 cm <sup>2</sup>

Reduced gas flow rate setting for hob taps.

1. Ignite the burner that is to be adjusted and turn the knob to the reduced position.
2. Remove the knob from the gas tap.
3. Use an appropriately sized screwdriver to adjust the flow rate adjustment screw. For LPG (butane-propane) turn the screw clockwise. For the natural gas, you should turn the screw counter-clockwise once. "The normal length of a straight flame in the reduced position should be 6-7 mm.
4. If the flame is higher than the desired position, turn the screw clockwise. If it is smaller turn anticlockwise.
5. For the last control, bring the burner both to high-flame and reduced positions and check whether the flame is on or off. Depending on the type of gas tap used in your appliance the adjustment screw position may vary. To adjust your oven acc. to the gas type, make the adjustment for reduced flame carefully by turning with a small screwdriver as shown below on the screw in the middle of the gas cocks as well as nozzle changes. (Figure 6 and 7)



Figure 6

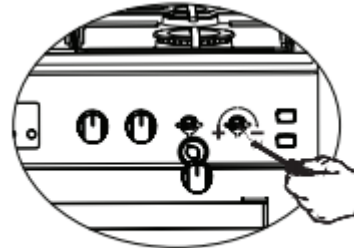


Figure 7

### Removal of the lower and upper burner and installation of the injector to the gas oven

#### Removal of the upper burner:

With the help of a screwdriver, remove the screw as shown in figure 8.

As shown in figure 9, remove the burner from its place by pulling it to yourself.

As shown in figure 10, remove the injector in the bearing with a socket wrench.

To re-place the burner, apply the removal process reversely.

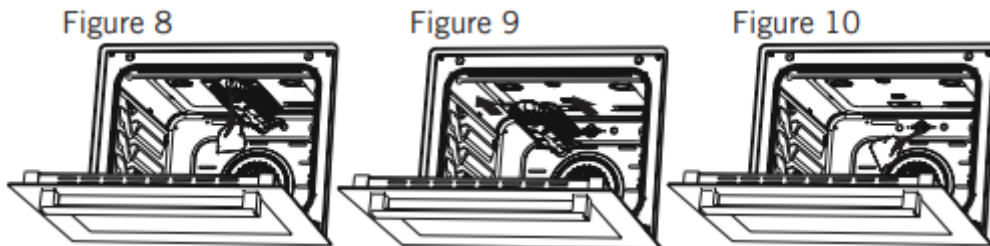


Figure 8

Figure 9

Figure 10

#### Removal of the lower burner:

The lower burner door has been fixed with two screws.

As shown in figure 11, remove it with the help of a screwdriver.

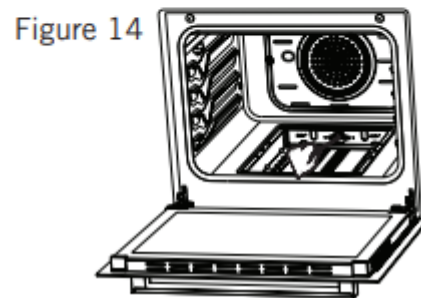
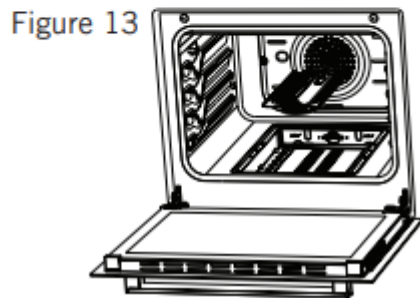
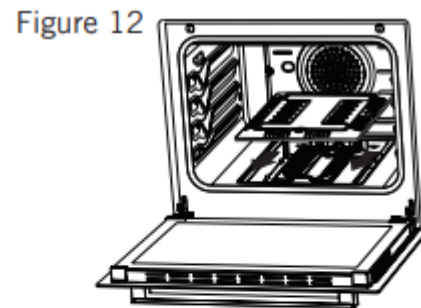
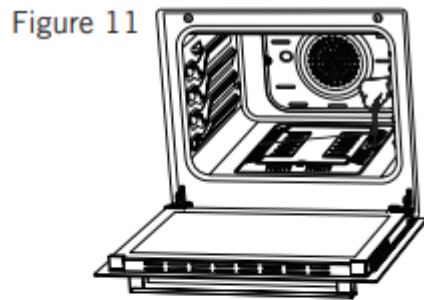
Remove the door by pulling upwards as shown in figure 12.

Remove the burner from its place by pulling it to yourself as shown in figure 13.

As shown in figure 14, remove the injector in the bearing with a socket wrench.

To replace the burner, apply the removal process reversely.





## INSTALLATION OF YOUR COOKER

Check if the electrical installation is proper to bring the appliance in operating condition. If the electricity installation is not suitable, call an electrician and plumber to arrange the utilities as necessary. The manufacturer shall not be held responsible for damage caused by operations performed by unauthorized persons.

**WARNING:** It is the customer's responsibility to prepare the location where the product shall be placed and to have the electrical installation prepared.

**WARNING:** The rules in local standards about electrical installations shall be followed during product installation.

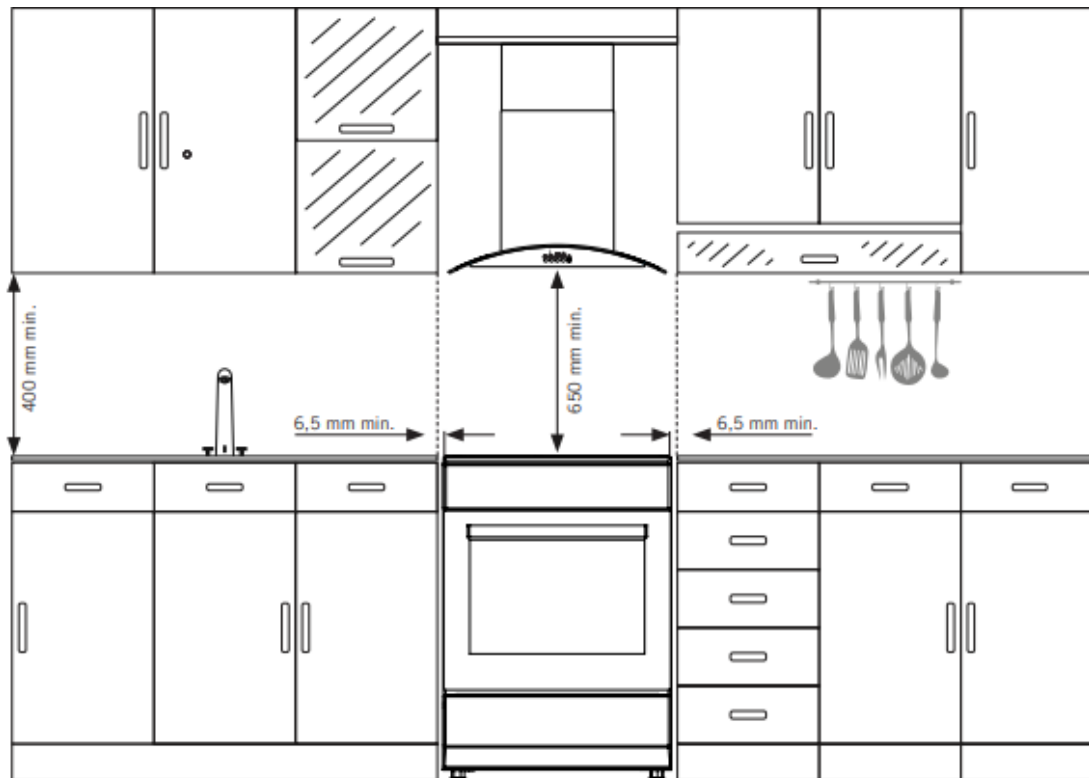
**WARNING:** Check for any damage to the appliance before installing it. Do not have the product installed if it is damaged. Damaged products cause a risk for your safety.

### Right place for installation and important warnings

Appliance feet should not stay on soft surfaces such as carpets. The kitchen floor shall be durable to carry the unit weight and any other kitchenware that may be used in the oven. Appliance should be used with a clearance of minimum 400 mm over the upper hob surfaces, and 6,5 mm from side surfaces inside a kitchen furniture.

The appliance is suitable for use on both side walls, without any support, or without being installed in a cabinet. If a hood or aspirator is installed above the cooker, follow the instructions of the manufacturer for height of mounting. (min. 650 mm).



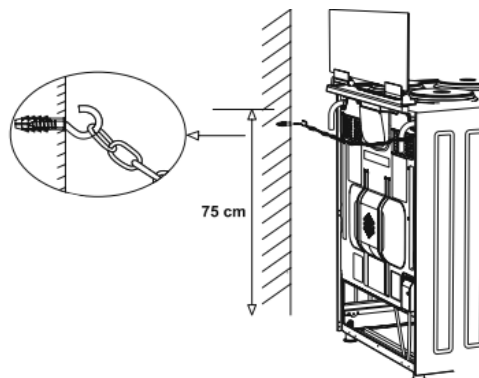


**WARNING:** The kitchen furniture near the appliance must be heat resistant.

**WARNING:** Do not install appliances beside refrigerators or coolers. Heat radiated by the appliance increases the energy consumption of cooling devices.

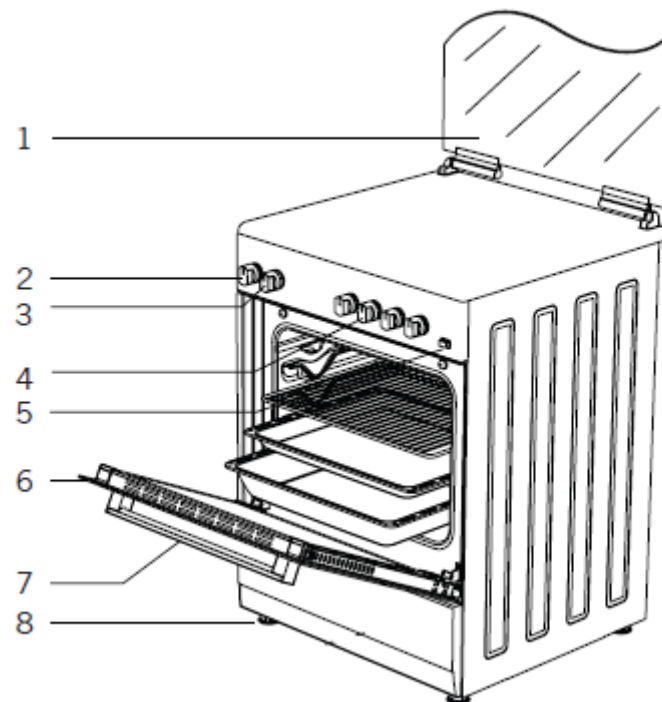
**WARNING:** Do not use the door and/or handle to carry or move the appliance.

#### Chain lashing illustration.

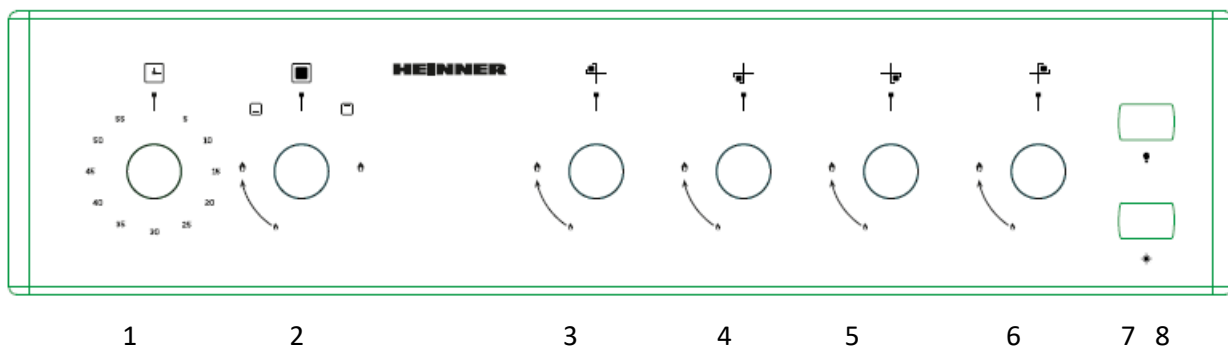


Before using the appliance, to ensure safe use, be sure to fix the appliance to the wall using the chain and hooked screw supplied. Ensure that the hook is screwed into the wall securely.

## 5. PRODUCT DESCRIPTION



1. Metal lid
2. Timer settings
3. Oven setting
4. Cooker section control Switches
5. Ignition button
6. Door
7. Handle
8. Plastic leg



1. Timer settings
2. Oven settings
3. Rear left heater
4. Front left heater
5. Front right heater
6. Rear right heater
7. Oven lamp
8. Ignition button

## 6. USING THE PRODUCT

### USING OVEN SECTION

#### Using Oven Burners

Push in the knob of the burner you wish to ignite and keep it pressed while turning it anti-clockwise until the knob is in the 'maximum' position. Continue pressing the knob and hold a lit match, taper or other manual aid to the upper circumference of the burner. Move the ignition source away from the burner as soon as you see a stable flame.

#### Using Oven Heating Elements

1. When your oven is operated for the first time, an odor will be spread out which will be sourced from using the heating elements. To get rid of this, operate it at 240 °C for 45-60 minutes while it is empty.
2. Oven control knob should be positioned to desired value; otherwise, oven does not operate.
3. Kinds of meals, cooking times and thermostat positions are given on the cooking table. The values given in the cooking table are characteristic values and were obtained because of the tests performed in our laboratory. You can find different flavours suitable for your taste depending on your cooking and habits.
4. You can make chicken revolve in your oven by means of accessories.
5. Cooking times: The results may change according to the area voltage and material having different quality, amount and temperatures.
6. During the time when cooking is being performed in the oven, the lid of the oven should not be opened frequently. Otherwise, circulation of the heat may be imbalanced, and the results may change.

#### Using The Grill

1. When you place the grill on the top rack, the food on the grill shall not touch the grill.
2. You can preheat for 5 minutes while grilling. If necessary, you may turn the food upside down.
3. Food shall be in the center of the grill to provide maximum air flow through the oven.

To turn on the grill:

1. Place the function button over the grill symbol.
2. Then, set it to the desired grill temperature.

To turn the grill off:

Set the function button to the off position.

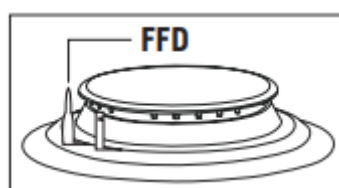
**WARNING:** Keep the oven door closed while grilling. (electrical grill with thermostat)

**WARNING:** Keep the oven door open while grilling. (gas and electric grill without thermostat)

### Using Cooker Section

#### Using gas burners

Flame cut-off safety device (FFD) - operates instantly when safety mechanism activates due to overflowed liquid over burners.



1. The valves controlling the gas cookers have a special security mechanism. In order to light the cooker always press on the switch forward and bring it to flame symbol by turning counterclockwise. All the lighters shall operate and the cooker you controlled shall light only. Keep the switch pressed until ignition is performed. Press on the lighter button and turn the knob counterclockwise.

2. Do not continuously operate the igniter for more than 15 seconds. If the burner does not ignite, wait a minimum of one minute before trying again.

3. In models with gas security systems, when the flame of the cooker is extinguished, control valve cuts off the gas automatically. For operate the burners with gas security system you must press the knob and turn counterclockwise. After the ignition you must wait nearly 5-10 seconds for gas security systems activation. If the burner is extinguished for of the any reason, close the gas control valve and wait a minimum of one minute before trying again.

4. ● Closed 🔥 Fully open 🔥 Half open

5. Before operating your hob please make sure that the burner caps are well positioned. The right placement of the burner caps is shown as below

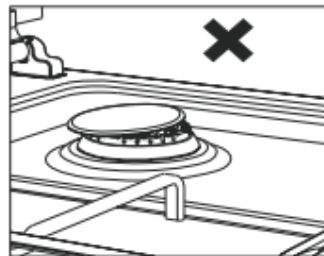


Figure 16

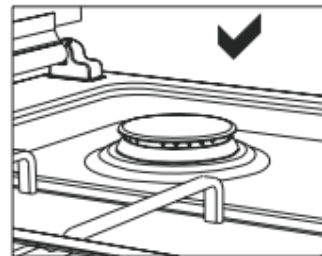


Figure 17

### Pot Sizes

	50*50 cm
Small burner	12-18 cm
Normal burner	18-20 cm
Big burner	22-24 cm



### Technical Features of your Oven

**WARNING:** For the modification to be done by authorized service, this table should be considered. Manufacturer may not be held responsible for any problems rising because of any faulty modification.

**WARNING:** To increase the product quality, the technical specifications may be changed without prior notice.


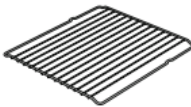
**WARNING:** The values provided with the appliance, or its accompanying documents are laboratory readings in accordance with the respective standards. These values may differ depending on the use and ambient conditions.

Specification	50x60 cm
Width	500 mm
Depth	630 mm
Height	855 mm

Burner specifications	G20, 20 mbar			G30,28-30 mbar		
	Natural gas			LPG		
Rapid burner	Injector	1,15	mm	Injector	0,85	mm
	Gas flow	0,276	m <sup>3</sup> /h	Gas flow	211	g/
	Power	2,90	kW	Power	2,90	kW
Semi-rapid burner	Injector	0,97	mm	Injector	0,65	mm
	Gas flow	0,162	m <sup>3</sup> /h	Gas flow	124	g/h
	Power	1,7	kW	Power	1,70	kW
Auxiliary burner	Injector	0,72	mm	Injector	0,50	mm
	Gas flow	0,96	m <sup>3</sup> /h	Gas flow	69	g/h
	Power	0,95	kW	Power	0,95	kW
Oven burner	Injector	1,10	mm	Injector	0,75	mm
	Gas flow	0,235	m <sup>3</sup> /h	Gas flow	182	g/h
	Power	2,5	kW	Power	2,5	kW

**WARNING:** Diameter values written on the injector are specified without a comma. For example, the diameter of 1,70 mm is specified as 170 on the injector.

#### Accessories

Standard tray	 <p>Used for pastry, big roasts, watery foods. It can also be used as oil collecting container if you roast directly on grill with cake, frozen foods and meat dishes.</p>
Wire grill	 <p>Used for roasting or placing foods to be baked, roasted and frozen into desired rack.</p>

## 7. MAINTENANCE AND CLEANING

1. Disconnect the plug supplying electricity for the oven from the socket.
2. While oven is operating or shortly after it starts operating, it is extremely hot. You must avoid touching from heating elements.
3. Never clean the interior part, panel, lid, trays, and all other parts of the oven by the tools like hard brush, cleaning mesh or knife. Do not use abrasive, scratching agents and detergents.
4. After cleaning the interior parts of the oven with a soapy cloth, rinse it and then dry thoroughly with a soft cloth.
5. Clean the glass surfaces with special glass cleaning agents.
6. Do not clean your oven with steam cleaners.
7. Before opening the upper lid of the oven, clean spilled liquid off the lid. Also, before closing the lid, ensure that the cooker table is cooled enough.
8. Never use inflammable agents like acid, thinner and gasoline when cleaning your oven. 9. Do not wash any part of your oven in dishwasher.
10. In order to clean the front glass lid of the oven; remove the fixing screws fixing the handle by means of a

screwdriver and remove the oven door. Then clean and rinse it thoroughly. After drying, place the oven glass properly and re-install the handle.



Figure 18

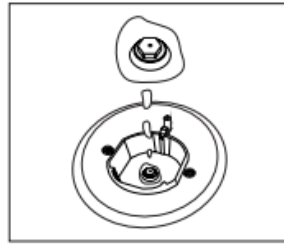


Figure 19

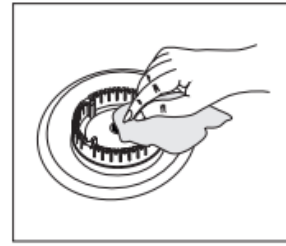


Figure 20

### Installation of the oven door

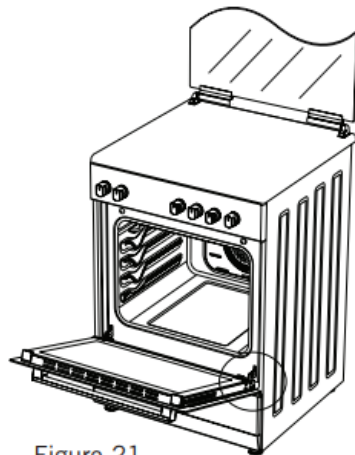


Figure 21

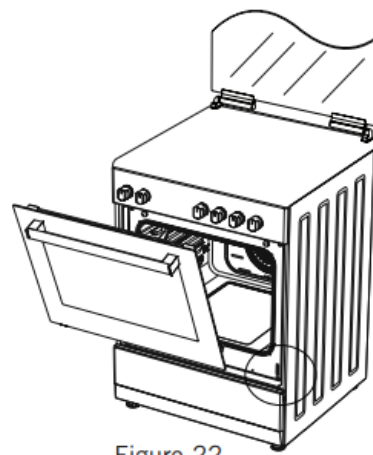


Figure 22

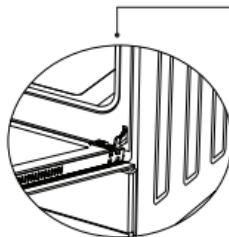


Figure 21.1

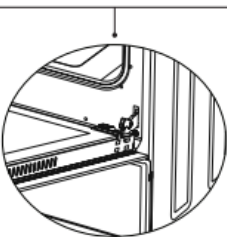


Figure 21.2

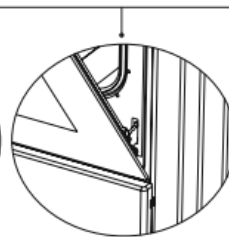


Figure 22.1

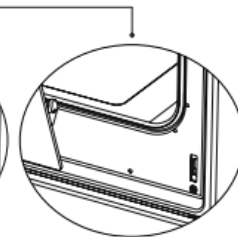


Figure 22.2

Completely open the oven door by pulling it to yourself. After wards, perform the unlocking process by pulling the hinge lock upwards with the help of a screwdriver as shown in **figure 21.1**.

Bring the hinge lock to the widest angle as shown in **figure 21.2**. Bring both hinges connecting the oven door to the oven to the same position.

Afterwards, close the oven door as to lean on the hinge lock as shown in **figure 22.1**.

To remove the oven door, pull it upwards by holding it with both hands when close to the closed position as shown in **figure 22.2**.

**To re-place the oven door, perform the abovementioned steps in reverse.**

### Cleaning and maintenance of the oven's front door glass

Remove the profile by pressing the plastic latches on both left and right sides as shown in figure 23 and pulling the profile towards yourself as shown in figure 24.

Then remove the inner glass as shown in figure 25.

If required, middle glass can be removed in the same way. After cleaning and maintenance are done, remount

the glasses and the profile in reverse order. Make sure the profile is properly seated in its place.

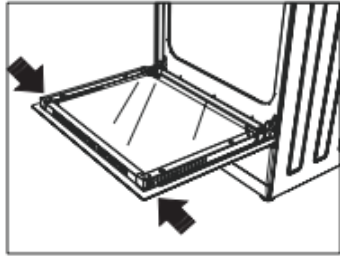


Figure 23

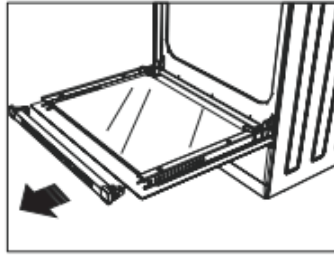


Figure 24

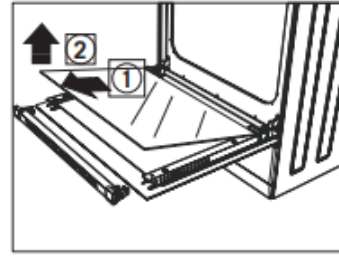


Figure 25

## 8. TROUBLESHOOTING

Problem	Possible cause	What to do
Oven does not operate.	Gas supply not available	Check if main gas valve is open.
		Check if gas pipe is bent or kinked.
		Make sure gas hose is connected to the oven
		Check if suitable gas valve is being used.
Oven door is not opening properly	Food residues jammed between the door and internal cavity.	Clean the oven well and try to reopen the door
Lighter not operating.	Gas burner pipes are clogged.	Clean gas burner pipes.
Water dripping	Water or steam may generate under certain conditions depending on the food being cooked. This is not a fault of the appliance.	Let the oven cool down and then wipe dry with a dishcloth.
Steam coming out from a crack on oven door.		
Water remaining inside the oven.		
Oven does not heat.	Oven door is open.	Close the door and restart
	Oven controls not correctly adjusted.	Read the section regarding operation of the oven and reset the oven.
Smoke coming out during operation	When operating the oven for the first time.	Smoke comes out from the heaters. This is not a fault. After 2-3 cycles, there will be no more smoke
	Food on heater	Let the oven to cool down and clean food residues from the heater.
When operating the oven burnt or plastic odour coming out.	Plastic or other not heat resistant accessories are being used inside the oven.	At high temperatures, use suitable glassware accessories.
Oven does not cook well	Oven door is opened frequently during cooking.	Do not open oven door frequently, if the food you are cooking does not require turning. If you open the door frequently internal temperature drops and therefore cooking result will be influenced



## Changing The Oven Lamp

**WARNING:** To avoid electric shock, ensure that the appliance circuit is open before changing the lamp. (having circuit open means power is off)

First disconnect the power of appliance and ensure that appliance is cold.

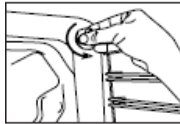
Remove the glass protection by turning as indicated in the figure. If you have difficulty in turning, then using plastic gloves will help you in turning.

Then remove the lamp by turning, install the new lamp with the same specifications.

Reinstall glass protection, plug the power cable of appliance into electrical socket and complete replacement.

Now you can use your oven.

### Type G9 Lamp



220-240 V, AC  
15-25 W

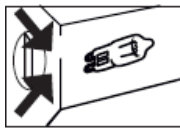


Figure 27

### Type E14 Lamp



220-240 V, AC  
15 W



Figure 28

## HANDLING RULES

1. Do not use the door and/or handle to carry or move the appliance.
2. Carry out the movement and transportation in the original packaging.
3. Pay maximum attention to the appliance while loading/unloading and handling.
4. Make sure that the packaging is securely closed during handling and transportation.
5. Protect from external factors (such as humidity, water, etc.) that may damage the packaging.
6. Be careful not to damage the appliance due to bumps, crashes, drops, etc. while handling and transporting and not to break or deform it during operation.

## RECOMMENDATIONS FOR ENERGY SAVING

The following details will help you use your product ecologically and economically.

1. Use dark coloured enamel containers that conduct the heat better in the oven.
2. As you cook your food, if the recipe or the user manual indicates that pre-heating is required, pre-heat the oven.
3. Do not open the oven door frequently while cooking.
4. Try not to cook multiple dishes simultaneously in the oven. You may cook at the same time by placing two cookers on the wire rack.
5. Cook multiple dishes successively. The oven will not lose heat.
6. Turn off the oven a few minutes before the expiration time of cooking. In this case, do not open the oven door.
7. Defrost the frozen food before cooking.

**Environment friendly disposal**

You can help protect the environment!

Please remember to respect the local regulations: hand in the non-working electrical equipment's to an appropriate waste disposal center.



**HEINNER** is a registered trademark of **Network One Distribution SRL**. Other brands and product names are trademarks or registered trademarks of their respective holders.

No part of the specifications may be reproduced in any form or by any means or used to make any derivative such as translation, transformation, or adaptation without permission from NETWORK ONE DISTRIBUTION.

Copyright © 2013 Network One Distribution. All rights reserved.

[www.heinner.com](http://www.heinner.com), <http://www.nod.ro>



This product is in conformity with norms and standards of European Community



Importer: **Network One Distribution**

Marcel Iancu Street, 3-5, Bucharest, Romania

Tel: +40 21 211 18 56, [www.heinner.com](http://www.heinner.com) , [www.nod.ro](http://www.nod.ro)

# ARAGAZ GAZ

Model:

HFSC-S60LITGWH / HFSC-S60LITGSL



- Aragaz gaz, 4 arzatoare
  - 50 x 60 cm

**HEINNER**

## 1. INTRODUCERE

Vă rugăm să citiți instrucțiunile cu atenție și să păstrați manualul pentru consultări ulterioare.

Acest manual are scopul de a vă oferi toate instrucțiunile necesare cu privire la instalarea, utilizarea și întreținerea aparatului. Pentru utilizarea corectă și în siguranță a aparatului, vă rugăm să citiți cu atenție acest manual de instrucțiuni înainte de instalare și utilizare.

## 2. CONȚINUTUL PACHETULUI DUMNEAVOASTRĂ

- ➔ Aragaz gaz
- ➔ Manual de utilizare
- ➔ Certificat de garanție

## 3. MASURI DE SIGURANTA

### GENERALITĂȚI

1. Instalarea și repararea trebuie realizate întotdeauna de către un „SERVICE AUTORIZAT”. Producătorul nu va fi tras la răspundere pentru operațiunile efectuate de persoane neautorizate.
2. Vă rugăm să citiți cu atenție aceste instrucțiuni de utilizare. Numai astfel puteți utiliza aparatul în condiții de siguranță și în mod corect.
3. Cuptorul trebuie utilizat în conformitate cu instrucțiunile de utilizare.
4. Nu lăsați copiii sub vârsta de 8 ani și animalele de companie în apropierea acestuia atunci când este în funcțiune.
5. **AVERTISMENT:** Piese accesibile pot fi fierbinți în timpul utilizării grătarului. A nu se lăsa la îndemâna copiilor.
6. **AVERTISMENT:** Pericol de incendiu; nu depozitați materiale pe suprafața de gătit.
7. **AVERTISMENT:** Aparatul și piesele sale accesibile sunt fierbinți în timpul utilizării.
8. Condițiile de setare ale acestui dispozitiv sunt specificate pe etichetă (sau pe plăcuța cu date de identificare).
9. Piese accesibile pot fi fierbinți atunci când grătarul este în uz. Copiii mici nu trebuie lăsați să se apropie.
10. **AVERTISMENT:** Acest echipament a fost conceput pentru gătit. Nu trebuie folosit în alte scopuri, cum ar fi încălzirea unei încăperi.
11. Pentru a curăța echipamentul, nu utilizați aparate de curățare cu vapori.
12. Asigurați-vă că ușa cuptorului este complet închisă după introducerea alimentelor în interiorul cuptorului.
13. Nu încercați NICIODATĂ să stingeți focul cu apă. Opriți numai circuitul dispozitivului și apoi acoperiți flacăra cu un capac sau o pătură ignifugă.
14. Copiii sub 8 ani nu trebuie lăsați să se apropie, dacă nu pot fi monitorizați în mod continuu.
15. Atingerea elementelor de încălzire trebuie evitată.
16. **ATENȚIE:** Procesul de gătit va fi supravegheat. Procesul de gătit va fi întotdeauna supravegheat.
17. Acest dispozitiv poate fi utilizat de copiii cu vârsta peste 8 ani, de persoane cu probleme fizice, auditive sau psihice sau de persoane care nu au experiență sau cunoștințe; atâta timp cât se asigură controlul sau se furnizează informații cu privire la pericole.
18. Acest dispozitiv a fost conceput exclusiv pentru uz casnic.
19. Copiii nu trebuie să se joace cu aparatul. Curățarea sau întreținerea aparatului de către utilizator nu va fi efectuată de copii decât dacă au vârsta mai mare de 8 ani și sunt supravegheați de adulți.
20. Nu lăsați aparatul și cablul de alimentare la îndemâna copiilor cu vârsta sub 8 ani.
21. Îndepărtați perdelele, țesăturile, hârtia sau orice alte material inflamabile (care se pot aprinde) de aparat

- înainte de a începe utilizarea aparatului. Nu poziționați materiale care se pot aprinde sau inflamabile pe sau în aparat.
22. Mențineți canalele de ventilație deschise.
  23. Aparatul nu este potrivit pentru a funcționa cu un sistem de control extern al timpului sau o telecomandă separată.
  24. Nu încălziți conserve închise și borcane din sticlă. Presiunea poate duce la explozia borcanelor.
  25. Mânerul cuptorului nu este un uscător de prosoape. Nu atârnați prosoapele și alte obiecte de mânerul cuptorului.
  26. Nu așezați tăvile cuptorului, plăci sau folii de aluminiu direct pe baza cuptorului. Căldura acumulată poate deteriora baza cuptorului.
  27. În timp ce introduceți alimente în sau scoateți alimente din cuptor etc., folosiți întotdeauna mănuși de cuptor rezistente la căldură.
  28. Nu utilizați produsul dacă sunteți sub influența medicamentelor și/sau alcoolului care vă pot afecta judecata.
  29. Aveți grijă la utilizarea alcoolului în mâncărurile dvs. Alcoolul se va evapora la temperaturi ridicate și poate să ia foc pentru a cauza un incendiu dacă intră în contact cu suprafețe fierbinți.
  30. După fiecare utilizare, verificați dacă unitatea a fost oprită.
  31. Dacă aparatul este defect sau prezintă o deteriorare vizibilă, nu folosiți aparatul.
  32. Nu atingeți priza dacă aveți mâinile umede! Nu trageți de cablu când scoateți aparatul din priză, țineți întotdeauna de ștecher.
  33. Nu folosiți aparatul cu geamul ușii din față demontat sau spart.
  34. Puneți hârtia de copt împreună cu alimentele într-un cuptor care a fost încălzit în prealabil punându-le într-un accesoriu de aragaz sau de cuptor. (tavă, grătar din sârmă etc.)
  35. Nu puneți pe aparat obiecte la care pot să ajungă copiii.
  36. Este important să așezați corect grătarul din sârmă și tava pe polițele de sârmă în mod corespunzător și/sau să poziționați tava pe poliță în mod corect. Așezați grătarul sau tava între două șine și asigurați-vă că este echilibrat înainte de a pune alimentele pe el.
  37. Pentru a evita riscul de atingere a elementelor de încălzire ale cuptorului, îndepărtați excesele de pe hârtie de copt care atâră din accesoriu sau din recipient.
  38. Nu utilizați niciodată hârtia de copt la temperaturi mai ridicate decât temperatura maximă de utilizare indicată pe hârtia dvs. de copt. Nu puneți hârtia de copt pe baza cuptorului.
  39. Când ușa este deschisă, nu așezați niciun obiect greu pe ușă și nu permiteți copiilor să se așeze pe ea. Puteți determina răsturnarea cuptorului sau deteriorarea balamalelor ușii.
  40. Materialele de ambalare pot fi periculoase pentru copii. Nu lăsați materialele de ambalare la îndemâna copiilor.
  41. Nu utilizați agenți de curățare abrazivi sau răzuitoare metalice ascuțite pentru a curăța sticla deoarece zgârieturile care pot apărea pe suprafața geamului ușii pot provoca spargerea geamului.
  42. Nu așezați aparatul pe o suprafață acoperită cu mochete. Componentele electrice se supraîncălzesc, deoarece nu există ventilație de jos. Acest lucru va duce la defectarea aparatului.
  43. Nu atingeți suprafețele de sticlă ale mașinilor de gătit vitro-ceramice cu un metal dur, întrucât se poate deteriora rezistența. Acest lucru poate provoca electrocutarea.
  44. Utilizatorul nu trebuie să manipuleze cuptorul pe cont propriu.
  45. Utilizatorul trebuie să fie atent atunci când efectuează curățarea arzătoarelor cu gaz. Pot fi provocate vătămări corporale.
  46. Alimentele se pot vărsa atunci când piciorul cuptorului este demontat sau se rupe, așadar se impune atenție. Pot fi provocate vătămări corporale.
  47. În timpul utilizării, suprafețele interioare și exterioare ale cuptorului se încălzesc. În momentul în care deschideți ușa cuptorului, dați-vă înapoi pentru a evita vaporii fierbinți care ies din interior. Există risc de arsură.
  48. Capacul superior al cuptorului poate fi închis pentru un motiv, caz în care vasele de gătit se pot răsturna. Faceți un pas înapoi pentru a evita mâncarea fierbinte care vine spre dvs. Există risc de arsură.
  49. Nu așezați obiecte grele pe ușa cuptorului atunci când aceasta este deschisă, întrucât există riscul de răsturnare.
  50. Utilizatorul nu trebuie să scoată din poziție rezistența în timpul curățării. Acest lucru poate provoca electrocutarea.
  51. Nu scoateți comutatoarele de aprindere din aparat. În caz contrar, pot fi accesate cablurile electrice sub tensiune. Acest lucru poate provoca electrocutarea.
  52. Sursa de alimentare a cuptorului poate fi deconectată în timpul oricărei lucrări de construcții din casă. După finalizarea lucrărilor, cuptorul va fi reconectat de către un service autorizat.

53. Nu așezați ustensilele de metal, cum ar fi cuțitul, furculița, lingura, pe suprafața aparatului, deoarece acestea se vor încinge.
54. Pentru a preveni supraîncălzirea, aparatul nu trebuie instalat în spatele unui panou decorativ. 55. Oprțiți aparatul înainte de a elimina dispozitivele de siguranță. După curățare, instalați dispozitivele de siguranță conform instrucțiunilor.
56. Punctul de fixare al cablului trebuie protejat.
57. AVERTISMENT: Nu folosiți cuptorul și arzătoarele grătarului în același timp.
58. Vă rugăm să nu gătiți alimentele direct pe tavă/ grătar. Introduceți alimentele în sau pe accesoriile corespunzătoare înainte de a le așeza în cuptor.
59. Suprafața fierbinte, lăsați să se răcească înainte de a închide capacul.

## Siguranța gazului

1. Acest echipament nu este conectat la un aparat cu evacuarea produselor de combustie. Aparatul trebuie conectat și instalat conform regulamentelor de instalare în vigoare. Condițiile de ventilație trebuie luate în considerare.
2. Când se utilizează un aparat de gătit cu gaz; în încăpere se generează umiditate, căldură și produse de combustie. În primul rând, asigurați-vă că bucătăria este bine ventilată atunci când utilizați aparatul și mențineți orificiile de ventilație naturală deschise sau instalați un echipament de ventilare mecanică.
3. După o utilizare intensă a aparatului, pe o perioadă extinsă de timp, poate fi necesară o ventilație suplimentară. De exemplu, deschideți o fereastră sau reglați o viteză mai mare pentru ventilația mecanică, dacă este cazul.
4. Acest aparat trebuie utilizat numai în locații bine ventilate în conformitate cu regulamentele în vigoare. Citiți manualul înainte de instalarea sau folosirea produsului.
5. Înainte de a poziționa aparatul, asigurați-vă de corespondența dintre condițiile rețelei locale (tipul de gaz și presiunea gazului) și cerințele aparatului.
6. Mecanismul nu poate funcționa mai mult de 15 secunde. Dacă arzătorul nu este aprins după 15 secunde, oprțiți mecanismul și așteptați cel puțin un minut înainte de a încerca să aprindeți arzătorul din nou.
7. Toate tipurile de operațiuni care trebuie efectuate asupra instalației de gaz trebuie efectuate de persoane autorizate și competente.
8. Acest aparat este reglat pentru gaz natural (GN). Dacă trebuie să utilizați produsul cu un alt tip de gaz, trebuie să apelați la un service autorizat pentru conversie.
9. Pentru o funcționare corespunzătoare, hota, conducta de gaz și clema trebuie înlocuite periodic în conformitate cu recomandările producătorului și atunci când este necesar.
10. Gazul trebuie să ardă corespunzător în produsele cu gaz. Gazul care arde corespunzătoare poate fi identificat după flacăra albastră și arderea continuă. Dacă gazul nu arde suficient, se poate genera monoxid de carbon (CO). Monoxidul de carbon este un gaz incolor, inodor și extrem de toxic; chiar și cantități mici pot avea un efect letal.
11. Întrebați furnizorii locali de gaz privind numerele de telefon de urgență legate de gaz și măsurile care trebuie luate în cazul în care se detectează miros de gaz.

### Ce trebuie făcut când se detectează miros de gaz

1. Nu utilizați flăcări deschise și nu fumați.
2. Nu operați niciun comutator electric. (De exemplu: comutatorul lămpii sau soneria)
3. Nu folosiți telefonul sau telefonul mobil.
4. Deschideți ușile și ferestrele.
5. Închideți toate supapele aparatelor care folosesc gaz și contoarele de gaz.
6. Apelați corpul de pompieri de la un telefon din afara casei.
7. Verificați toate furtunurile și conexiunile acestora pentru eventuale scurgeri. Dacă se mai simte miros de gaz, părăsiți locația și avertizați-vă vecinii.
8. Nu intrați înapoi în casă până când autoritățile nu vor clarifica că acest lucru este sigur.

### Domeniu de utilizare

1. Acest produs a fost conceput pentru uz casnic. Utilizarea comercială a aparatului nu este permisă.
2. Acest aparat poate fi utilizat numai cu scopul de a găti. Acesta nu va fi folosit în alte scopuri, cum ar fi încălzirea unei încăperi.
3. Acest aparat nu va fi folosit pentru a încălzi plăcile d sub grătar, pentru a usca hainele sau prosoapele agățându-le de mâner sau în scopuri de încălzire.
4. Producătorul nu își asumă răspunderea pentru orice deteriorare cauzată de utilizare sau manipulare

incorectă.

5. Partea de cuptor a unității poate fi folosită pentru dezghețarea, coacerea, prăjirea și frigerea produselor alimentare.

6. Durata de funcționare a produsului pe care l-ați achiziționat este de 10 ani. Aceasta este perioada pe parcursul căreia piesele de schimb necesare pentru funcționarea acestui produs, astfel cum sunt definite, sunt furnizate de producător

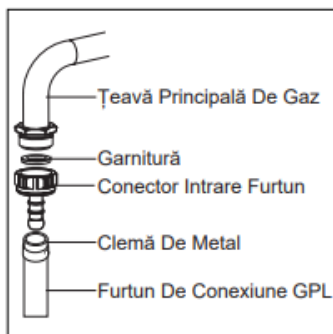
## 4. INSTALARE

### Conexiunea la rețeaua de gaze

**AVERTISMENT:** Înainte de a începe orice lucrare legată de instalarea gazelor, opriți alimentarea cu gaz. Risc de explozie. Vă rugăm să folosiți cuptorul în atmosferă uscată.

1. Montați clema pe furtun. Împingeți furtunul până când acesta ajunge la capătul țevii.
2. Pentru controlul etanșării; asigurați-vă că butoanele de pe panoul de comandă sunt închise, dar butelia de gaz este deschisă. Aplicați bule de săpun pe conexiune. În cazul în care există scurgeri de gaze, se va forma spumă în zona pe care s-a aplicat săpun.
3. Cuptorul trebuie folosit într-un loc bine ventilat și trebuie instalat pe o suprafață plană.
4. Re-inspectați conexiunea la gaze.
5. Atunci când plasați mașina de gătit la locul său, asigurați-vă că este la nivelul blatului. Aduceți-o la nivelul blatului ajustând picioarele dacă e necesar.
6. Nu treceți racordul de gaze și cablul electric al mașinii de gătit prin zone încălzite, mai ales prin partea din spate a mașinii. Nu mutați cuptorul fiind conectat la gaz. Dacă e forțat, racordul se poate slăbi, provocând scurgeri de gaze.
7. Folosiți un racord flexibil pentru conexiunea la gaze

### Pentru conexiunea GPL:



Pentru conectarea GPL-ului (buteliei), fixați clema de metal pe furtunul buteliei de GPL.

Fixați marginea furtunului de conectorul de intrare a furtunului din spatele aparatului prin apăsarea până la capăt după încălzirea furtunului în apă fiartă.

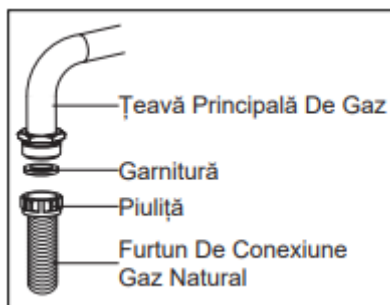
Apoi, aduceți clema spre capătul furtunului și strângeți-o cu o șurubelniță.

Garnitura și conectorul de intrare al furtunului necesare pentru conexiune sunt ca cele din imaginea de mai jos.

**NOTĂ:** Regulatorul care trebuie montat pe butelia de GPL trebuie să aibă caracteristica de 300 mmSS.



### Pentru conexiunea de gaz natural



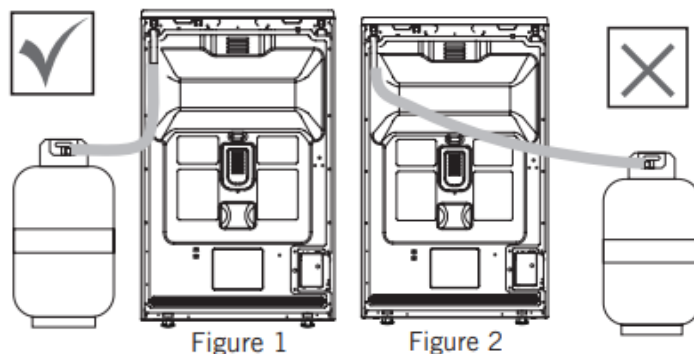
**AVERTISMENT:** Conexiunea de gaz natural trebuie realizată printr-un serviciu autorizat.

Pentru conexiunea de gaz natural așezați garnitura în piulița de la marginea furtunului de conexiune pentru gaz natural.

Pentru a monta furtunul pe țeava principală de gaz rotiți piulița.

Încheiați conexiunea prin controlarea scurgerii de gaze

### Traseul de trecere al furtunului pentru gaz



Pentru a vă asigura că nu apar scurgeri de gaz, conectați produsul la robinetul de gaz utilizând cea mai scurtă rută posibilă. Pentru a efectua o verificare de etanșeitate, asigurați-vă că butoanele de pe panoul de control sunt închise iar rezervorul de gaz este deschis.

**AVERTISMENT:** În timpul verificării de etanșeitate, nu utilizați niciodată orice fel de brichetă, chibrite, țigări sau substanțe combustibile similare. Aplicați bule de săpun pe punctele de conectare. Dacă există scurgere, gazul va cauza o formare de bule. În timpul montării produsului, asigurați-vă că acesta este la același nivel cu blatul. Dacă este necesar reglați picioruțele pentru a fi la nivel. Utilizați produsul pe o suprafață echilibrată și într-un mediu bine ventilat.

**AVERTISMENT:** Înainte de poziționarea aparatului, verificați condițiile de distribuție locale (tip și presiune gaz) conform setărilor produsului.

### Operațiunea schimbării duzei

1. Folosiți o șurubelniță cu cap special pentru a îndepărta și instala duza ca în. (ilustrația 3)

2. Îndepărtați duza (ilustrația 4) de pe arzător cu o șurubelniță special de duze și instalați duza nouă. (ilustrația 5)



Figure 3



Figure 4



Figure 5

### Ventilarea camerei

Aerul necesar pentru ardere este luat din aerul din cameră, iar gazele sunt emise direct în cameră. Pentru utilizarea sigură a produsului dumneavoastră, ventilarea optimă a camerei reprezintă o condiție prealabilă. În cazul în care nu este disponibilă o fereastră sau o cameră pentru ventilarea camerei, trebuie instalată o aerisire suplimentară.

Totuși, în cazul în care camera este prevăzută cu o ușă către exterior, nu sunt necesare orificii de aerisire.

Dimensiune cameră	Orificiu aerisire
Mai mică de 5 m <sup>3</sup>	min. 100 cm <sup>2</sup>
Între 5 m <sup>3</sup> - 10 m <sup>3</sup>	min. 50 cm <sup>2</sup>
Mai mare de 10 m <sup>3</sup>	nu este necesar
În subsol sau pivniță	min. 65 cm <sup>2</sup>

### Setare de debit redus de gaz pentru robinetele plitei

1. Aprindeți arzătorul care trebuie reglat și rotiți butonul în poziția redusă.
2. Îndepărtați butonul de pe robinetul de gaz.
3. Folosiți o șurubelniță de dimensiune corespunzătoare pentru a regla șurubul de reglare a debitului. Pentru GPL (butan propan) rotiți șurubul în sensul acelor de ceasornic. Pentru gaz natural, trebuie să rotiți șurubul în sens contrar acelor de ceasornic o dată. „Lungimea normală a unei flăcări drepte în poziția redusă trebuie să fie de 6-7 mm.”
4. Dacă flacăra este mai mare decât poziția dorită, rotiți șurubul în sensul acelor de ceasornic. Dacă este mai mică, rotiți-l în sens invers acelor de ceasornic
5. Pentru ultimul control, aduceți arzătorul atât în poziția de flăcără înaltă, cât și în poziția redusă și verificați dacă flacăra este pornită sau oprită. În funcție de tipul de robinet de gaz utilizat pe aparatul dvs., poziția șurubului de reglare poate varia.

Pentru a ajusta mașina de gătit conform tipului de gaz, efectuați ajustarea pentru flăcără redusă rotind cu o șurubelniță mică așa cum se vede mai jos șurubul din mijloc al robinetelor de gaz, precum și pentru schimbarea duzei (Ilustrația 6 și 7)

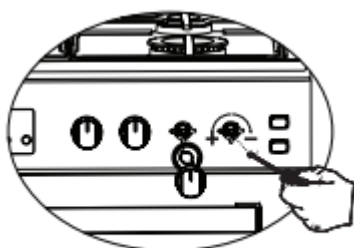


Figure 6

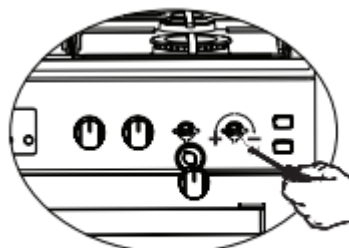


Figure 7

### Demontarea arzătorului din partea de sus și de jos a cuptorului cu gaze

#### Demontarea arzătorului din partea de sus:

Cu ajutorul unei șurubelnițe, deșurubați șurubul așa după cum vedeți în ilustrația 8.

Trageți către dumneavoastră arzătorul și scoateți-l din loc așa după cum vedeți în ilustrația 9. Scoateți cu o cheie injectorul așa după cum vedeți în ilustrația 10.

Pentru a monta înapoi arzătorul, efectuați invers operațiunile de mai sus.

Figure 8

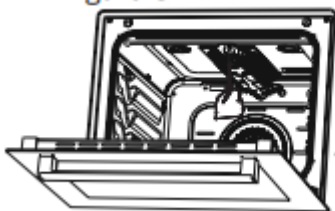


Figure 9

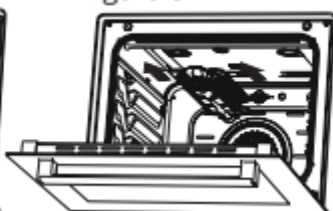
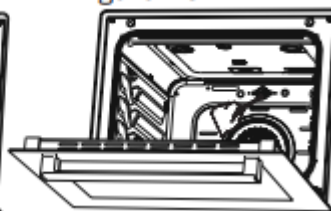


Figure 10



### Demontarea arzătorului din partea de jos:

Capacul arzătorului din partea de jos este fixat cu două șuruburi, pe care trebuie să le deșurubați cu o șurubelniță după cum vedeți în ilustrația 11.

Trageți în sus capacul și scoateți-l, așa după cum vedeți în ilustrația 12.

Trageți către dumneavoastră arzătorul și scoateți-l din loc așa după cum vedeți în ilustrația 13

Scoateți cu o cheie injectorul așa după cum vedeți în ilustrația 14. Pentru a monta înapoi arzătorul, efectuați invers operațiunile de mai sus.

Figure 11

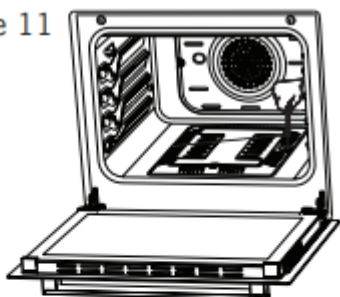


Figure 12

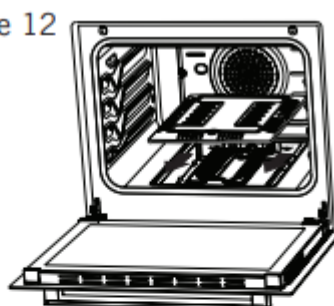
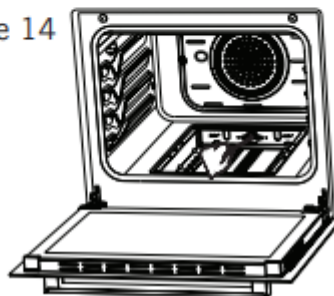


Figure 13



Figure 14



## INSTALAREA ARAGAZULUI

**AVERTISMENT:** Este responsabilitatea clientului să pregătească locația în care trebuie să fie poziționat produsul și de asemenea să pregătească utilitatea pentru alimentare. **AVERTISMENT:** Regulile din standardele locale privind instalațiile electrice trebuie respectate în timpul instalării produsului.

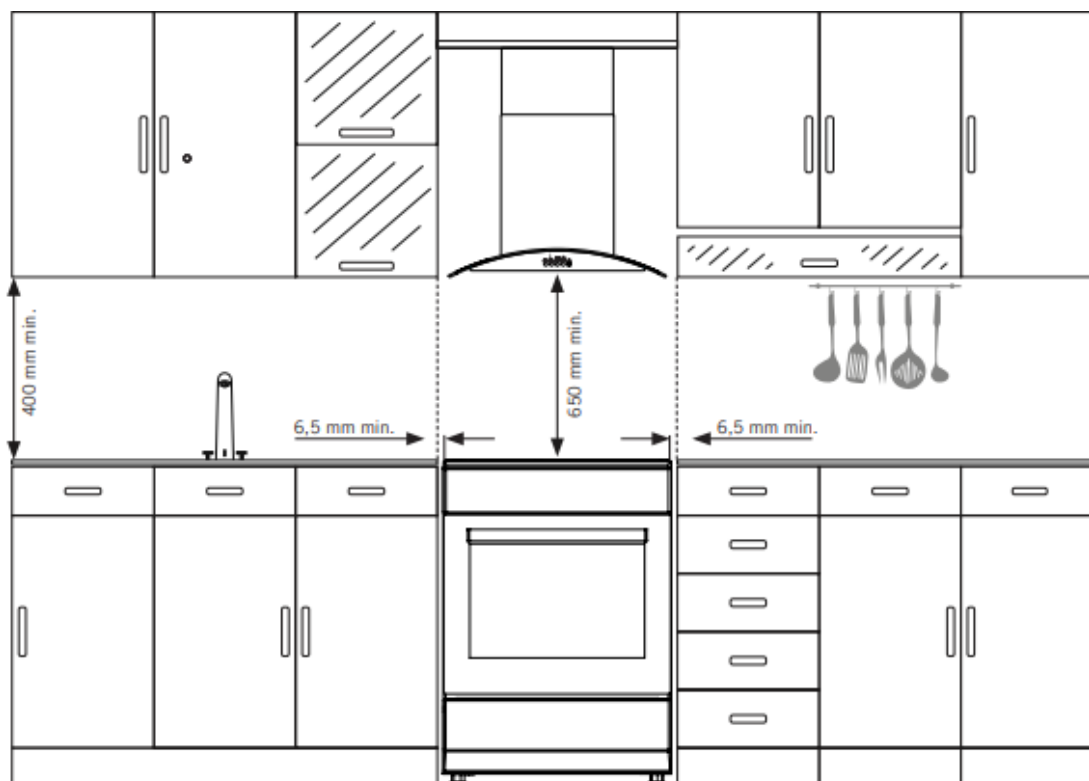
**AVERTISMENT:** Verificați eventualele deteriorări ale aparatului înainte de instalare. Nu instalați produsul dacă acesta este deteriorat. Produsele avariate provoacă un risc pentru siguranța dvs.

### Locul potrivit pentru instalare și avertismente importante

Picioarele aparatului nu trebuie să stea pe suprafețe moi, cum ar fi mochetele. Podeaua bucătăriei trebuie să fie durabilă pentru a putea susține greutatea unității și a eventualelor ustensile de bucătărie care pot fi utilizate pe cuptor.

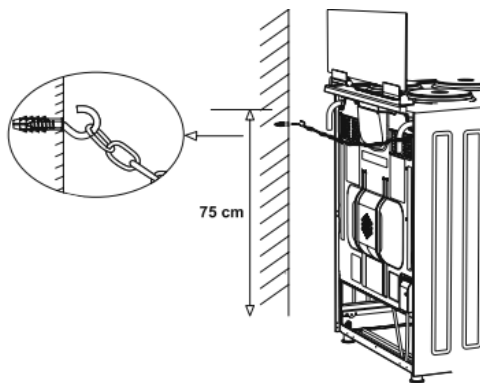
Aparatul trebuie folosit cu un spațiu liber de minimum 400 mm deasupra suprafeței superioare a plitei și 6,5 mm față de suprafețele laterale din interiorul unui mobilier de bucătărie.

Aparatul este potrivit pentru utilizare pe ambii pereți laterali, fără niciun suport sau fără a fi instalat într-un dulap. Dacă se va instala o hota sau un aspirator deasupra aragazului, urmați instrucțiunile producătorului pentru înălțimea de montare. (min. 650 mm)



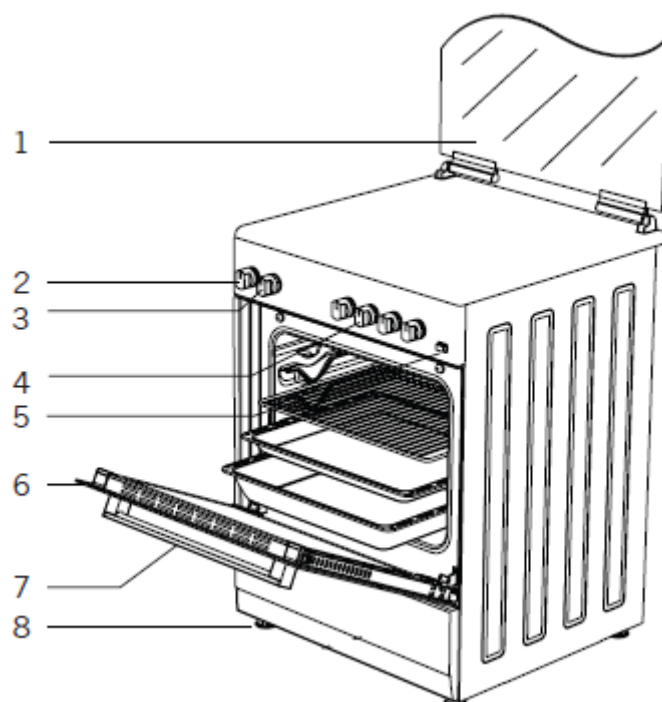
**AVERTISMENT:** Mobilierul de bucătărie din apropierea aparatului trebuie să fie rezistent la căldură.  
**AVERTISMENT:** Nu instalați aparatul lângă frigidere sau răcitoare. Căldura radiată de aparat mărește consumul de energie al dispozitivelor de răcire. A  
**VERTISMENT:** Nu utilizați ușa și/sau mânerul pentru a transporta sau a deplasa aparatul.

#### Ilustrarea Fixării Lanțului

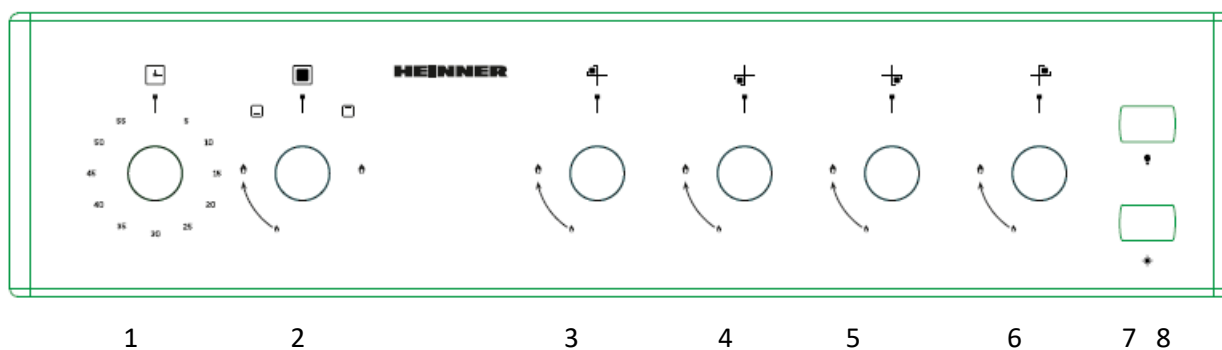


Înainte de a utiliza aparatul, pentru a asigura o utilizare sigură, asigurați-vă că ați fixat aparatul de perete folosind lanțul și șurubul de prindere furnizat.  
 Asigurați-vă că cârligul este înșurubat în perete în siguranță

## 5. DESCRIEREA PRODUSULUI



1. Capac metalic
2. Buton de comanda pentru temporizator
3. Buton de comanda pentru cuptor
4. Comutatoare pentru controlul secțiunii de aragaz
5. Buton auto-aprindere
6. Usa
7. Maner
8. Picior de plastic



1. Buton de comanda pentru temporizator
2. Buton de comanda pentru cuptor
3. Buton arzator posterior stanga
4. Buton arzator frontal stanga
5. Buton arzator frontal dreapta
6. Buton arzator posterior dreapta
7. Lumina cuptor
8. Buton auto-aprindere

## 6. UTILIZAREA ARAGAZULUI

### FOLOSIREA SECȚIUNII CUPTORULUI

#### Folosirea Arzătoarelor Cuptorului

Împingeți butonul arzătorului pe care doriți să-l aprindeți și mențineți-l apăsat în timp ce îl rotiți în sens invers acelor de ceasornic până când butonul se află în poziția „maximum”. Continuați apăsarea butonului și mențineți un chibrit aprins, o lumânare aprinsă sau alt accesoriu manual pe circumferința superioară a arzătorului. Mutați sursa de aprindere departe de arzător de îndată ce vedeți o flacără stabilă.

#### Utilizarea elementelor de încălzire ale cuptorului

1. Atunci când cuptorul este pus în funcțiune pentru prima oară, se va răspândi un miros de la elementele de încălzire. Pentru a-l elimina, puneți-l în funcțiune la 240 °C timp de 45-60 de minute gol.
2. Butonul pentru controlul cuptorului trebuie poziționat la valoarea dorită; în caz contrar cuptorul nu funcționează.
3. Tipurile de mese, timpii de gătire și pozițiile termostatului sunt indicate în tabelul de gătit. Valorile din tabelul de gătit sunt valori caracteristice și au fost obținute ca rezultat al testelor efectuate în laboratorul nostru. Puteți găsi diferite arome adecvate gustului dvs. în funcție de obiceiurile dvs. de gătire și utilizare.
4. Puteți face ca puiul să se rotească în cuptor folosind accesoriile.
5. Timpii de gătire: Rezultatele se pot schimba în funcție de tensiunea zonei și de calitatea, cantitatea și temperatura materialului.
6. În timpul se efectuează gătitul la cuptor, capacul cuptorului nu trebuie deschis frecvent. Astfel, circulația căldurii poate fi dezechilibrată și rezultatele se pot schimba

#### Folosirea Grătarului

1. Când așezați grătarul pe polița superioară, alimentele de pe grătar nu trebuie să atingă grătarul.
2. Puteți preîncălzi timp de 5 minute în timp ce folosiți grătarul. Dacă este necesar, puteți întoarce alimentele cu susul în jos.
3. Alimentele trebuie să se afle pe centrul grătarului pentru a asigura un debit maxim de aer prin cuptor.

Pentru a porni grătarul:

1. Poziționați butonul de funcție pe simbolul care ilustrează grătarul.
2. Apoi, setați-l la temperatura dorită pentru grătar.

Pentru a opri grătarul:

Setați butonul de funcție în poziția „off” (oprit).

AVERTISMENT: Mențineți ușa cuptorului închisă în timpul folosirii grătarului. (grătar electric cu termostat)

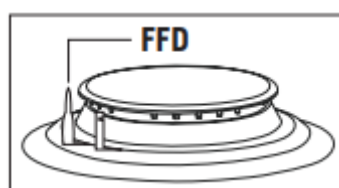
Mențineți ușa cuptorului deschisă în timpul folosirii grătarului. (grătar cu gaz și electric fără termostat)

### Folosirea secțiunii aragazului

#### Folosirea arzătoarelor pe gaz

Dispozitiv de siguranță care întrerupe flacăra (FFD)



-acționează în mod direct când mecanismul de siguranță se activează ca urmare a lichidului care se revarsă pe ochiurile de plită superioare.



1. Robinetele care controlează mașinile de gătit cu gaz au un mecanism special de securitate. Pentru a porni aragazul, apăsați întotdeauna comutatorul înainte și aduceți-l la simbolul care ilustrează flacăra prin rotire în sens invers acelor de ceasornic. Toate brichetele vor funcționa și doar arzătorul controlat de dvs. se va aprinde. Țineți comutatorul apăsat până când se produce aprinderea. Apăsați pe butonul de aprindere și rotiți butonul în sens invers acelor de ceasornic.

2. Nu acționați în mod continuu aprinzătorul mai mult de 15 secunde. Dacă arzătorul nu se aprinde, așteptați minim un minut înainte să încercați din nou. Dacă arzătorul este stins din orice motiv, închideți supapa de control al gazului și așteptați cel puțin un minut înainte de a reîncerca.

3. La modelele cu sistem de siguranță pe gaz, atunci când flacăra este stinsă, supapa de control întrerupe alimentarea cu gaz automat. Pentru operarea arzătoarelor cu sistem de siguranță a gazelor, trebuie să apăsați butonul și să-l rotiți în sens invers acelor de ceasornic. După aprindere trebuie să așteptați 5-10 secunde pentru activarea sistemelor de siguranță pe gaz. Dacă arzătorul este stins din orice motiv, închideți supapa de control al gazului și așteptați cel puțin un minut înainte de a reîncerca.

4. ● Inchis  Complet deschis  Jumate deschis

5. Înainte de a utiliza plita, asigurați-vă de poziționarea corectă a capacelor arzătorului. Poziționarea corectă a capacelor arzătorului este prezentată mai jos.

Figure 16

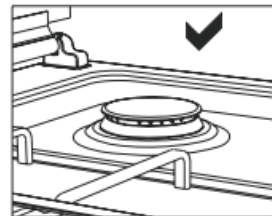
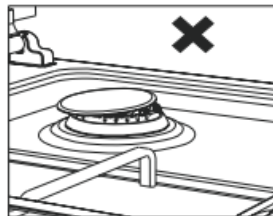


Figure 17

#### Dimensiuni pentru oale

	50*50 cm
Arzătorul mic	12-18 cm
Arzătorul mijlociu	18-20 cm
Arzătorul mare	22-24 cm



#### Specificațiile tehnice ale aragazului.

**AVERTISMENT:** Pentru ca modificarea să fie realizată de service-ul autorizat, trebuie luat în considerare acest tabel. Producătorul nu poate fi tras la răspundere pentru eventualele probleme care apar ca urmare a unei modificări defectuoase.

**AVERTISMENT:** Pentru a spori calitatea produsului, specificațiile tehnice pot fi modificate fără o notificare prealabilă.

**AVERTISMENT:** Valorile furnizate împreună cu aparatul sau în cadrul documentelor însoțitoare sunt citiri de laborator în conformitate cu standardele corespunzătoare. Aceste valori pot varia în funcție de condițiile de utilizare și de mediu


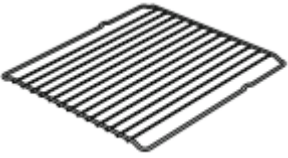
Specification	50x60 cm
Width	500 mm
Depth	630 mm
Height	855 mm



Specificatii arzator	G20, 20 mbar			G30,28-30 mbar		
	Natural gas			LPG		
Rapid burner	Injector	1,15	mm	Injector	0,85	mm
	Debit gaz	0,276	m3/h	Debit gaz	211	g/
	Alimentare	2,90	kW	Alimentare	2,90	kW
Semi-rapid burner	Injector	0,97	mm	Injector	0,65	mm
	Debit gaz	0,162	m3/h	Debit gaz	124	g/h
	Alimentare	1,7	kW	Alimentare	1,70	kW
Auxiliary burner	Injector	0,72	mm	Injector	0,50	mm
	Debit gaz	0,96	m3/h	Debit gaz	69	g/h
	Alimentare	0,95	kW	Alimentare	0,95	kW
Cuptor burner	Injector	1,10	mm	Injector	0,75	mm
	Debit gaz	0,235	m3/h	Debit gaz	182	g/h
	Alimentare	2,5	kW	Alimentare	2,5	kW

**AVERTISMENT:** Valorile diametrului scrise pe injector sunt specificate fără virgulă. De exemplu: diametrul de 1,70 mm este specificat ca 170 pe injector.

#### Accesorii

Tava standard	 <p>Utilizat pentru patiserie, prăjiri, alimente pe bază de apă. De asemenea, poate fi utilizată ca recipient de colectare al uleiului dacă dumenavoastră prăjiți direct tortul, alimentele congelate și rețetele pe bază de carne.</p>
Gratar	 <p>Utilizat pentru prăjirea sau plasarea alimentelor care urmează a fi coapte, prăjite și congelate în grătarul dorit.</p>

## 7. CURATARE SI MENTENANTA

1. Scoateți aparatul din priză și întrerupeți alimentarea cu gaz prin închiderea supapei de gaz.
2. În timpul funcționării sau imediat ce a început să funcționeze, cuptorul este foarte fierbinte. Nu atingeți elementele de încălzire.
3. Nu curățați partea interioară, paniul, capacul, tăvile sau celelalte părți ale cuptorului cu instrumente precum buretele de sârmă sau cuțitul. Nu folosiți agenți sau detergenți abrazivi.
4. După curățarea părților interioare ale cuptorului cu o cârpă cu săpun, clătiți-le cu apă și ștergeți-le cu o cârpă uscată.
5. Spălați suprafețele de geam cu agenți speciali de curățare a sticlei.
6. Nu curățați cuptorul cu agenți de curățare volatili.
7. Înainte de a deschide capacul superior al cuptorului, curățați lichidul vărsat de pe capac. De asemenea, înainte de a închide capacul, asigurați-vă că tava de gătit este destul de rece.
8. Pentru curățarea cuptorului nu folosiți agenți inflamabili, precum acizi, tiner sau motorină.
9. Nu spălați părțile cuptorului în mașina de spălat vase.
10. Pentru a curăța geamul din față al cuptorului, desfaceți șaibele de fixare cu o șurubelniță și curățați-l peste tot. După uscare, așezați garniturile la loc și reinstalați geamul.



Figure 18

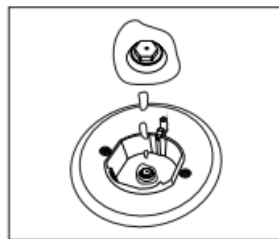


Figure 19

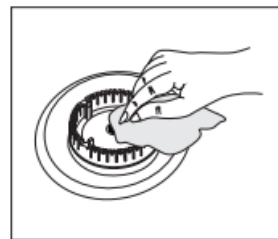


Figure 20

### Montarea usii

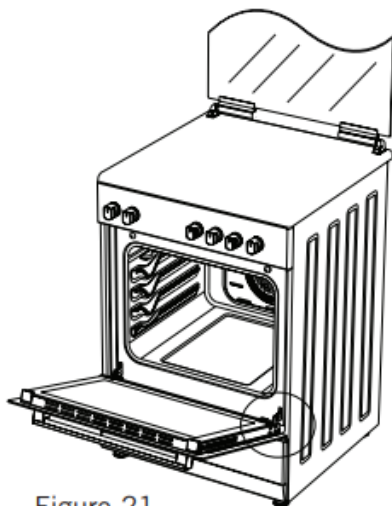


Figure 21

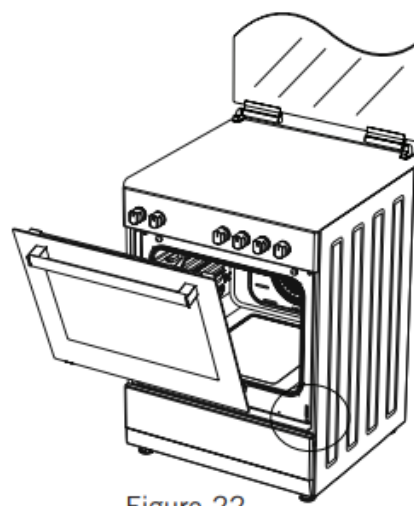


Figure 22

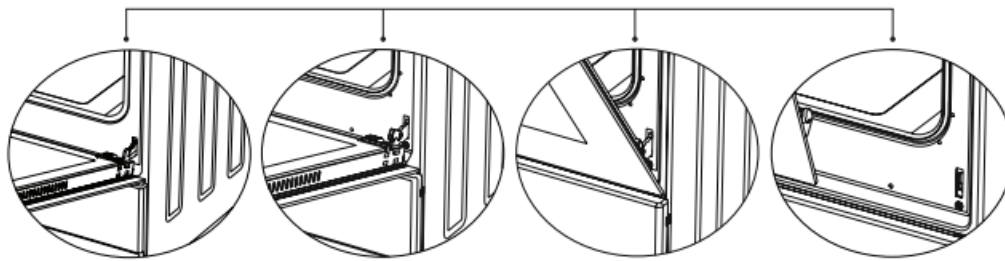


Figure 21.1

Figure 21.2

Figure 22.1

Figure 22.2

Trageți către dumneavoastră capacul cuptorului și deschideți-l în întregime. Apoi, după cum se vede în **ilustrația 21.1**, cu ajutorul unei șurubelnițe trageți în sus încuietoarea balamalei și deschideți încuietoarea. Deschideți la maxim încuietoarea balamalei așa după cum vedeți în **ilustrația 21.2**. Aduceți în aceeași poziție ambele balamale care fac legătura între ușă și cuptor.

Apoi, închideți ușa cuptorului pe care ați deschis-o până ajunge în poziția în care atinge încuietoarea balamalei, așa după cum vedeți în **ilustrația 22.1**.

Pentru a scoate ușa cuptorului, când se ajunge la nivelul aproape de cel de închidere, țineți capacul cu ambele mâini și trageți în sus, după cum vedeți în **ilustrația 22.2**.

Pentru a monta înapoi ușa cuptorului, realizați în sens invers toate operațiunile pe care le-ați realizat pentru deschiderea ușii.

#### Curățarea și întreținerea sticlei ușii cuptorului

Scoateți profilul prin apăsarea încuietorii de plastic de pe partea stângă și dreaptă după cum este prezentat în ilustrația 23 și trageți profilul către dumneavoastră după cum este prezentat în ilustrația 24.

Apoi scoateți sticla internă după cum este prezentat în ilustrația 25. Dacă este necesar, sticla mijlocie poate fi scoasă în același mod.

După ce operațiile de curățare și întreținere sunt efectuate, remontați sticlele și profilul în ordinea inversă. Asigurați-vă că profilul este etanș la locul acestuia.

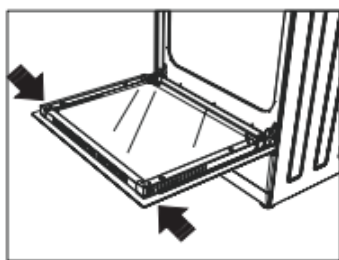


Figure 23

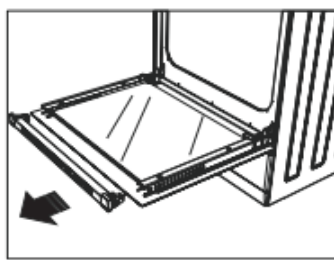


Figure 24

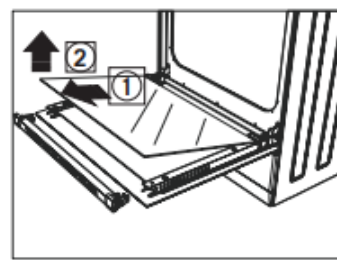


Figure 25

## 8. DEPANARE

Problema	Cauza psoibila	Ce este de facut
În cazul în care cuptorul nu funcționează.	Sursă de alimentare cu gaz indisponibilă	Verificați dacă este deschis robinetul principal de gaze al rețelei.
		Verificați dacă țeava de gaz este îndoită sau formează o buclă.
		Asigurați-vă că furtunul de gaz este conectat la cuptor.
		Verificați dacă este folosit un robinet de gaze corespunzător.
Ușa cuptorului nu se deschide în mod corespunzător.	Reziduuri de alimente s-au blocat între ușă și cavitatea interioară.	Curățați bine cuptorul și încercați să redeschideți ușa
Aprinzătorul nu funcționează	Țevile arzătorului de gaze sunt blocate	Curățați țevile arzătorului de gaze.
Curge apă. Rămâne apă în interiorul cuptorului. Iese abur dintr-o fisură pe ușa cuptorului.	Apa sau aburul se pot genera în anumite condiții, în funcție de alimentele care sunt gătite. Acest lucru nu reprezintă o defecțiune a aparatului.	Lăsați cuptorul să se răcească și apoi ștergeți cu o cârpă de vase pentru uscare
Cuptorul nu se încălzește.	Ușa cuptorului este deschisă.	Închideți ușa și reporniți-l.
	Comenzile cuptorului nu sunt reglate corect.	Citiți secțiunea privind utilizarea cuptorului și reseați cuptor
Iese fum în timpul funcționării	Când folosiți cuptorul pentru prima dată. the oven for the first time.	Iese fum din încălzitoare. Acesta nu este un defect. După 2-3 cicluri, nu va mai ieși fum.
	Sunt alimente pe încălzitor	Lăsați cuptorul să se răcească și curățați reziduurile de alimente de pe încălzitor
În timpul funcționării cuptorului iese miros de ars sau plastic.	Se folosesc accesoriile din plastic sau din alt material care nu este rezistent la căldură în cuptor.	La temperaturi ridicate, folosiți articole din sticlă adecvate.
Cuptorul nu gătește bine	Ușa cuptorului este deschisă în mod frecvent în timpul gătitului.	Nu deschideți ușa cuptorului în mod frecvent dacă mâncarea pe care o gătiți nu necesită rotire. Dacă deschideți ușa în mod frecvent, temperatura internă scade și, prin urmare, rezultatul gătirii va fi influențat.

### Înlocuirea lămpii cuptorului

**AVERTISMENT:** Pentru evitarea șocului electric, asigurați-vă că circuitul produsului este deschis înainte de schimbarea lămpii. (circuitul deschis înseamnă că alimentarea este oprită)

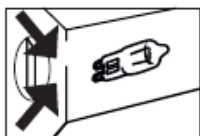
Prima dată deconectați alimentarea produsului și asigurați-vă că produsul este rece.

Scoateți protecția sticlei prin rotirea acesteia așa cum este indicat în figura prezentă în partea stângă. Dacă aveți dificultăți în rotirea protecției sticlei, utilizarea mănușilor de plastic vă va ajuta în rotire. Apoi scoateți lampa prin rotirea acesteia, montați noua lampă având aceleași specificații. Remontați protecția sticlei, conectați cablul de alimentare al produsului în priză și finalizați înlocuirea. Acum, dumneavoastră puteți utiliza cuptorul

#### Bec tip G9

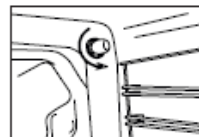


220-240 V, AC  
15-25 W



Ilustrația 27

#### Bec tip E14



220-240 V, AC  
15 W



Ilustrația 28

### REGULI DE MANIPULARE

1. Nu utilizați ușa și/sau mânerul pentru a transporta sau a deplasa aparatul.
2. Efectuați deplasarea și transportul în ambalajul original.
3. Acordați atenție maximă aparatului în timpul încărcării/descărcării și manipulării.
4. Asigurați-vă că ambalajul este bine închis în timpul manipulării și transportului.
5. Protejați-l de factori externi (precum umiditate, apă, etc.) care pot avaria ambalajul.
6. Aveți grijă să nu avariați aparatul în urma loviturilor, căderilor, scăpărilor, etc. în timpul manipulării și transportării și nu-l spargeți în timpul funcționării.

### RECOMANDĂRI PENTRU ECONOMISIREA ENERGIEI

Urmărirea detaliilor vă va ajuta să utilizați produsul în mod ecologic și economic.

1. Utilizați recipiente de culori închise sau emailate care conduc mai bine căldura în cuptor.
2. Pe măsură ce gătiți mâncarea, dacă rețeta sau manualul de utilizare indică faptul că este necesară preîncălzirea, preîncălziți cuptorul.
3. Nu deschideți ușa cuptorului în mod frecvent în timpul gătitului.
4. Încercați să nu gătiți mai multe feluri de mâncare în mod simultan în cuptor. Puteți găti în același timp dacă puneți două oale pe polița de sârmă.
5. Gătiți mai multe feluri de mâncare în mod succesiv. Cuptorul nu va pierde căldură.
6. Opriți cuptorul câteva minute înainte de expirarea timpului de gătit. În acest caz, nu deschideți ușa cuptorului.
7. Dezghețați alimentele congelate înainte de gătit.



### **MASURI PENTRU PROTECTIA MEDIULUI**

Va informam ca persoanele fizice au urmatoarele obligatii prin legislatia specifica privind protectia mediului si regimul deseurilor:

- Deseurile de echipamente electrice si electronice (DEEE), pot contine substante periculoase pentru mediu si sanatatea umana. Conform OUG 5/2015, exista obligativitatea predarii acestora, pentru tratarea corespunzatoare si valorificarea componentelor reciclabile. Societatea Network One Distribution S.R.L. este platitoare de taxa de "timbru verde" pentru fiecare Echipament Electric si Electronic (EEE) pe care il pune pe piata. Acest cost asigura tratarea ulterioara a echipamentelor uzate colectate. Din acest motiv, odata ce devine dezechilibrat, produsul EEE poate fi predat gratuit operatorului Dvs. de salubritate, la magazine atunci cand achizitionati alt echipament similar, sistemul "unul la unu" sau la punctul de colectare organizat de Primaria Sectorului / localitatii Dvs.
- Simbolul (marcajul) aplicat produselor, care indica faptul ca deseurile DEEE, bateriile si acumulatorii - fac obiectul unei colectari separate, il reprezinta o pubea barata cu o cruce.



### ***Aceste masuri vor ajuta la protejarea mediului***

Societatea Network One Distribution S.R.L. este inregistrata in Registrul de punere pe piata a echipamentelor electrice si electronice, avand numarul de inregistrare: RO-2016-03-EEE-0201-IV. De asemenea, au fost intocmite si sunt gestionate: Registrul de Retragere EEE si Registrul de Rechemare EEE, in conformitate cu HG 322/2013. Totodata societatea este inregistrata in Registrul de punere pe piata a bateriilor, avand numarul de inregistrare: RO-2011-03-B&A-0283.

Conformitatea cu directiva RoHS: Produsul pe care l-ati cumparat este conform cu Directiva RoHS UE (2011/65/UE). Nu contine materialele daunatoare si interzise specificate in Directiva.

**Va multumim ca participati alaturi de noi la protejarea mediului si a sanatatii umane!**



**HEINNER** este marcă înregistrată a companiei **Network One Distribution SRL**. Celelalte branduri și denumirile produselor sunt mărci de comerț sau mărci de comerț înregistrate ale respectivilor deținători.

Nicio parte a specificațiilor nu poate fi reprodusă sub nicio formă și prin niciun mijloc, nici utilizată pentru obținerea unor derivate precum traduceri, transformări sau adaptări, fără consimțământul prealabil al companiei NETWORK ONE DISTRIBUTION.

Copyright © 2013 Network One Distribution. Toate drepturile rezervate.

[www.heinner.com](http://www.heinner.com), <http://www.nod.ro>



Acest produs este proiectat și realizat în conformitate cu standardele și normele Comunității Europene.



Importator: **Network One Distribution**

Str. Marcel Iancu, nr. 3-5, București, România

Tel: +40 21 211 18 56, [www.heinner.com](http://www.heinner.com) , [www.nod.ro](http://www.nod.ro)

# ГОТВАРСКА ПЕЧКА

Модел:

HFSC-S60LITGWH / HFSC-S60LITGSL



- Готварска печка, 4 газови горелки
  - 50 x 60 см

**HEINNER**

## 1. ВЪВЕДЕНИЕ

Моля прочетете внимателно инструкциите и запазете наръчника за бъдещи справки.

Този наръчник има за цел да Ви предостави всички необходими инструкции по отношение на инсталирането, използването и поддържането на уреда. Преди инсталиране и използване на уреда, с цел правилна и безопасна употреба на уреда, моля прочетете внимателно този наръчник с инструкции.

## 2. СЪДЪРЖАНИЕ НА ВАШИЯ ПАКЕТ

- ➔ Готварска печка
- ➔ Наръчник за употреба
- ➔ Сертификат за гаранция

## 3. СЪДЪРЖАНИЕ НА ВАШИЯ ПАКЕТ

### ОБЩИ УКАЗАНИЯ

1. Инсталационните работи и ремонтите трябва да се извършват само от „ОТОРИЗИРАН СЕРВИЗ“.
2. Моля, прочетете внимателно тези инструкции за употреба. Само по този начин можете да използвате уреда правилно и безопасно.
3. Фурната трябва да се използва в съответствие с инструкциите за употреба.
4. Не оставяйте деца на възраст под 8 години и домашни любимци в близост до уреда, когато работи.
5. **ПРЕДУПРЕЖДЕНИЕ:** Достъпните компоненти могат да бъдат горещи по време на използване на грила. Не оставяйте на място, достъпно за деца.
6. **ПРЕДУПРЕЖДЕНИЕ:** Опасност от пожар; не съхранявайте материали върху повърхността за готвене.
7. **ПРЕДУПРЕЖДЕНИЕ:** Уредът и неговите достъпни зони се нагорещават по време на работа.
8. Условиата за регулиране на този уред са посочени върху етикета или върху табелката с технически данни.
9. Достъпните компоненти могат да се нагорещат по време на използване на грила. Малките деца трябва да се държат далеч от уреда.
10. **ПРЕДУПРЕЖДЕНИЕ:** Този уред е предназначен изключително за приготвяне на храна. Не трябва да се използва за други цели, като например за отопление на помещение.
11. При операциите по почистване на уреда не използвайте уреди за почистване с пара.
12. Уверете се, че вратата на фурната е напълно затворена, преди да поставите храна във фурната.
13. **НЕ СЕ ОПИТВАЙТЕ** да гасите огъня с вода. Просто изключете уреда от източника на захранване и покрийте пламъка с капак или огнеупорно одеяло.
14. Деца на възраст под 8 години трябва да се държат далеч от уреда, ако не могат да бъдат постоянно наблюдавани.
15. Избягвайте да докосвате нагревателните елементи.
16. **ВНИМАНИЕ:** Процесът на готвене трябва да се наблюдава. Процесът на готвене трябва постоянно да се наблюдава.
17. Този уред може да се използва от деца на възраст над 8 години, от хора с физически, слухови или умствени проблеми, или от хора, които нямат опит или познания, само ако е осигурено тяхното наблюдение или им е предоставена информацията относно свързаните опасности при употреба.
18. Този уред е предназначен само за домашна употреба.
19. Не е позволено на деца да си играят с уреда. Почистването и поддръжката на уреда не могат да се извършват от деца, освен ако те не са на възраст най-малко 8 години и не са под надзора на възрастни.
20. Не оставяйте уреда и захранващия му кабел на място, достъпно за деца на възраст под 8 години.
21. Преди да използвате уреда, отстранете завесите, тъканите, хартията или други запалими материали от зоната около него. Не поставяйте запалими материали в уреда или върху него.
22. Поддържайте вентилационните отвори чисти.
23. Уредът не е предназначен за използване с външен таймер или отделна система за дистанционно управление.



24. Не нагрявайте запечатани консерви и стъклени буркани. Налягането може да доведе до експлозия на бурканите.
25. Дръжката на фурната не е предназначена за сушене на хавлии. Не закачайте хавлии, кърпи и др. на дръжката на фурната.
26. Не поставяйте тави, съдове или алуминиево фолио директно върху основата на фурната. Натрупаната топлина може да повреди основата на фурната.
27. Използвайте топлоустойчиви ръкавици всеки път, когато поставяте или изваждате храна от фурната.
28. Не използвайте продукта под въздействието на лекарства и/или алкохол.
29. Обърнете особено внимание на употребата на алкохол в препаратите. Алкохолът се изпарява при високи температури и може да се запали, като предизвика пожар, ако влезе в контакт с горещи повърхности.
30. След всяка употреба се уверете, че уредът е изключен.
31. Не използвайте уреда, ако показва очевидни дефекти или повреди.
32. Не докосвайте щепсела с мокри ръце. Не издърпвайте кабела, за да изключите щепсела. Винаги хващайте щепсела.
33. Не използвайте уреда, ако стъклото на вратата не е монтирано или е счупено.
34. Хартията за печене и храната се поставят заедно в предварително загрятата фурна, след като са били поставени в съд или върху аксесоар за фурна (тава, скара и др.).
35. Не поставяйте върху уреда предмети, които могат да бъдат достигнати от деца.
36. Важно е да поставите правилно скарата и тавата върху телените решетки и/или да поставите правилно тавата върху решетката. Поставете скарата (или тавата) между две релси и се уверете, че е балансирана, преди да поставите храна върху нея.
37. Отстранете излишните парчета хартия за печене, които висят извън аксесоара или съда за готвене, така че да не докосват нагревателните елементи на фурната.
38. Не използвайте фурната при температури, по-високи от максималната температура на използване, посочена в спецификациите на хартията за печене. Не поставяйте хартия за печене върху основата на фурната.
39. Когато вратата на фурната е отворена, не поставяйте тежки предмети и не позволявайте на деца да седят върху нея. Може да предизвикате преобръщане на фурната или да повредите пантите на вратата.
40. Опаковките са опасни за децата. Не оставяйте опаковките на места, достъпни за деца.
41. Не използвайте абразивни почистващи препарати или остри метални стъргалки за почистване на стъклото, тъй като драскотините по повърхността на стъклото на вратата могат да доведат до неговото счупване.
42. Не поставяйте уреда върху повърхности, покрити с килими. При липса на вентилация в долната част на уреда, електрическите компоненти ще прегреят. Това ще доведе до повреда на уреда.
43. Не удряйте стъклените повърхности на стъклокерамичните котлони с твърди метални предмети, тъй като устойчивостта може да се повреди. Опасност от токов удар!
44. Потребителят не трябва да работи сам с фурната.
45. Потребителят трябва да бъде внимателен, когато почиства газовите горелки. Възможно е да се стигне до наранявания.
46. Храната може да се разлее, когато краче на фурната се отстрани или счупи. Обърнете особено внимание на това, тъй като може да се стигне до нараняване.
47. По време на употреба вътрешните и външните повърхности на фурната се нагряват. Когато отворите вратата на фурната, пазете се от горещата пара, която излиза от вътрешността на фурната. Опасност от изгаряния!
48. Ако горният капак на уреда се затвори, съдовете за готвене могат да се преобрънат. Пазете се от гореща храна, която може да падне върху вас. Опасност от изгаряния!
49. Не поставяйте тежки предмети върху вратата на фурната, когато е отворена, тъй като има опасност да се преобръне.
50. По време на почистването потребителят не трябва да изважда нагревателния елемент от мястото му. Опасност от токов удар!
51. Не отстранявайте превключвателите за запалване на уреда. Неспазването на тази предпазна мярка може да доведе до случайно докосване на проводници под напрежение. Опасност от токов удар!
52. Източникът на захранване на уреда може да бъде изключен по време на строителни работи. След приключване на работата, фурната трябва да се включи отново към източника на захранване от оторизиран сервиз.
53. Не поставяйте метални прибори (ножове, вилици, лъжици и др.) върху повърхността на уреда, тъй като те ще се нагряят.
54. За да се предотврати прегряване на уреда, не трябва да се монтира зад декоративен панел.
55. Изключете уреда, преди да отстраните предпазните устройства. След почистване монтирайте предпазните устройства съгласно инструкциите.
56. Точката на свързване на кабела трябва да бъде защитена.
57. **ПРЕДУПРЕЖДЕНИЕ:** Не използвайте едновременно фурната и горелките на грила.
58. Моля, не пригответе храна директно върху тавата/скарата. Поставяйте храната в или върху съответните аксесоари, преди да я поставите във фурната.
59. Оставете горещите повърхности да се охладят, преди да затворите капака.

## БЕЗОПАСНОСТ НА СВЪРЗВАНЕТО КЪМ ИЗТОЧНИКА НА ГАЗ

1. Този уред не е свързан към оборудване за отвеждане на димните газове. Този уред трябва да се свързва и инсталира в съответствие с действащите разпоредби относно инсталирането. Трябва да се вземат предвид условията по отношение на вентилацията.
2. При използване на уред за готвене с газ, в помещението се генерират влажност, топлина и димни газове. На първо място, уверявайте се, че кухнята се проветрява добре, когато използвате уреда, и дръжте отворите за естествена вентилация в отворено състояние или инсталирайте оборудване за механична вентилация.
3. След интензивна и продължителна употреба на уреда може да се наложи допълнителна вентилация. Например отворете прозорец или регулирайте оборудването за механична вентилация (ако има такова), така че да работи при по-висока скорост.
4. Този уред трябва да се използва само в добре проветриви помещения, в съответствие с действащите разпоредби. Моля, прочетете наръчника, преди да инсталирате или използвате този продукт.
5. Преди да позиционирате уреда, уверете се, че спецификациите на локалната разпределителна мрежа (вид на газта и налягане на газта) отговарят на изискванията, които се налагат за работата на уреда.
6. Запалващият механизъм не може да работи повече от 15 секунди. Ако горелката не се запали след 15 секунди, изключете запалващия механизъм и изчакайте поне една минута, преди да се опитате да запалите горелката отново.
7. Всички операции по газовата инсталация трябва да се извършват от оторизирани и квалифицирани лица.
8. Този уред е настроен за работа с природен газ (CNG). Ако искате да използвате продукта с друг вид газ, поискайте съдействие от оторизиран сервиз с оглед извършване на необходимите промени.
9. За съответстваща работа на уреда абсорбаторът, газопроводът и скобата трябва да се подменят периодично в съответствие с препоръките на производителя и когато е необходимо.
10. Газта трябва да има съответстващо изгаряне. Съответстващото изгаряне на газта може да бъде идентифицирано по непрекъснатия син пламък. Ако газта не е изгорена по съответстващ начин, може да се образува въглероден окис (CO). Въглеродният окис е газ, който е безцветен, няма мирис и е силно токсичен, като може да причини смърт дори и в малки количества.
11. Обърнете се към местните доставчици на газ, ако имате въпроси относно телефонните номера за извънредни ситуации, свързани с газ, и относно мерките, които трябва да се предприемат, ако се открие миризма на газ.

### Мерки в случай на откриване на миризма на газ

1. Не използвайте източници на открит пламък и не пушете.
2. Не използвайте електрически ключове и прекъсвачи (ключ за осветление, звънец на входната врата и др.).
3. Не използвайте стационарни или мобилни телефони.
4. Отворете вратите и прозорците.
5. Затворете всички клапани на уредите, които използват газ, и на газомерите.
6. Обадете се на пожарната от телефон извън жилището.
7. Проверете всички маркучи и техните щуцери, за да се уверите, че нямат течове на газ. Ако усещате все още миризма на газ, излезте от жилището и предупредете съседите си.
8. Влизайте в жилището само след като властите установят, че няма опасност.

### Употреба по предназначение

1. Този продукт е предназначен за домашна употреба. Не е разрешено използването на уреда за търговски цели.
2. Уредът може да се използва само за готвене на храни. Не трябва да се използва за други цели, като например за отопляване на помещение.
3. Този уред не трябва да се използва за затопляне на храни под грила, за отопляване на жилище или сушене на дрехи или хавлии върху дръжката на вратата на фурната.
4. Производителят не поема отговорност за щети, причинени вследствие на несъответстваща употреба или погрешно боравене.
5. Фурната може да се използва за размразяване, печене, пържене и препичане на хранителни продукти.
6. Времето за експлоатация на продукта, който сте закупили, е 10 години. Това е периодът, през който производителят ще доставя резервните части, които са необходими за работата на този продукт.

## 4. ИНСТАЛИРАНЕ

### Свързване към система за захранване с газ

**ПРЕДУПРЕЖДЕНИЕ:** Преди да се започне каквато и да е работа по газовата инсталация, изключете подаването на газ. Опасност от взрив! Моля, използвайте уреда в суха среда.

1. Монтирайте скобата на маркуча. Бутнете единия край на маркуча, докато стигне в края на тръбата.
2. За да проверите за течове на газ, уверете се, че бутоните на контролния панел са затворени и че газовата бутилка е отворена. Поставете смес от сапунена вода върху щуцера. Ако има течове на газ, разтворът ще образува мехурчета.
3. Уредът трябва да се използва само в добре проветриви помещения и трябва да се поставя върху хоризонтална повърхност.
4. Проверете отново газовата връзка.
5. Когато позиционирате готварската печка, уверете се, че се намира на едно ниво с кухненския плот. Ако е необходимо, подравнете го чрез регулиране на крачетата.
6. Не позволявайте маркучът за газ и електрическият кабел да влизат в контакт с горещите зони на уреда, особено със задната страна. Не премествайте уреда, докато е свързан към газопровода. Насилването на маркуча може да доведе до неговото разхлабване, като могат да се появят течове на газ.
7. Моля, използвайте гъвкав маркуч за свързване към източника на газ.

### Свързване към LPG (втечен пропан-бутан)



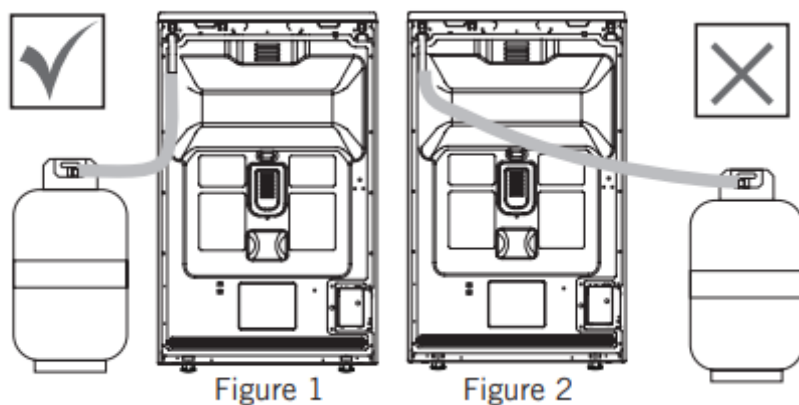
За да се свържете към източника на LPG (към бутилката), фиксирайте металната скоба към маркуча, който излиза от бутилката с LP. Фиксирайте единия край на маркуча към щуцера от задната страна на уреда, като го бутнете в нея. За да свържете лесно маркуча, загрейте го във вряща вода. След това преместете скобата в края на маркуча и я затегнете с отвертка. Уплътнението и щуцерът за осъществяване на връзката са показани в изображението по-долу.

### Инструкции за свързване към системата за захранване с газ



**ПРЕДУПРЕЖДЕНИЕ:** Свързването към мрежата за природен газ трябва да се извърши от квалифициран персонал. За да се свържете с тръбопровода за природен газ, поставете уплътнението в гайката от края на маркуча за свързване за природен газ. За да свържете маркуча към главния газопровод, затегнете гайката. Финализирайте свързването чрез извършване на проверка за течове на газ.

## Разполагане на маркуча за газ



Свържете уреда към клапана на газопровода по възможно най-краткия път, така че да се уверите, че не се появяват течове на газ. За да направите проверка за течове на газ, уверете се, че бутоните на контролния панел са затворени и че газовата бутилка е отворена.

**ПРЕДУПРЕЖДЕНИЕ:** По време на проверката за течове на газ не използвайте запалки, кибритени клечки, цигари или други източници на пламък. Поставете разтвор от сапунена вода върху точките на свързване. Ако има течове, газта ще образува мехурчета. Когато позиционирате уреда, уверете се, че се намира на едно ниво с кухненския плот. Ако е необходимо, подравнете го чрез регулиране на крачетата. Използвайте уреда на равна повърхност в добре проветриво място.

**ПРЕДУПРЕЖДЕНИЕ:** Преди да позиционирате уреда, уверете се, че спецификациите на локалната разпределителна мрежа (вид на газта и налягане на газта) отговарят на изискванията, които се налагат за работата на уреда.

## Процедура за смяна на дюзите

1. Моля, използвайте ключ със специална глава (Фиг. 3) за демонтаж и монтаж на дюзите.
2. Демонтирайте дюзата (Фиг. 4) с помощта на специален ключ и монтирайте новата дюза (Фиг. 5).



Фигура 3



Фигура 4



Фигура 5

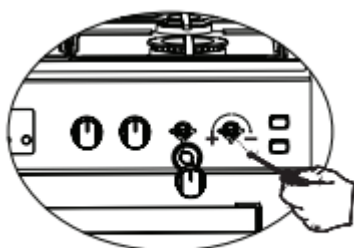
## Проветряване на помещението

Необходимият за горенето въздух се поема от въздуха в стаята, а димните газове се отделят директно в помещението. За безопасно използване на Вашия продукт, проветряването на стаята е съществено условие. Ако няма наличен нито един прозорец или отвор, който да позволява проветряването, трябва да се инсталира допълнителна вентилационна система. Ако обаче помещението има външна врата, през която може да влиза атмосферен въздух, не са необходими вентилационни отвори.

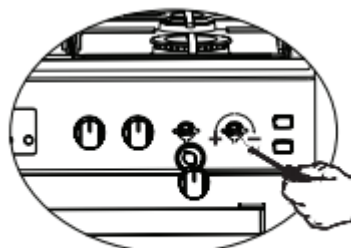
Размери на помещението	Вентилационен отвор
под 5 куб.м.	минимум 100 кв.см.
между 5 куб.м. и 10 куб.м.	минимум 50 кв.см.
над 10 куб.м.	не е необходимо
в сутерен или маза	минимум 65 кв.см.

### Регулиране на ниския дебит на газ за клапаните на плочата:

1. Запалете горелката, която трябва да се регулира, и завъртете бутона до позицията за слаб пламък.
2. Демонтирайте бутона от клапана.
3. Използвайте подходяща отвертка, за да завъртите регулиращия винт за дебита. За работа с LPG (втечен пропан-бутан) завъртете винта по посока на часовниковите стрелки. За работа с природен газ завъртете винта само веднъж в обратна посока на часовниковите стрелки. Нормалната височина на прав пламък в регулираната позиция от клапана за слаб пламък трябва да бъде 6-7 мм.
4. Ако пламъкът е по-висок, завъртете винта по посока на часовниковите стрелки. Ако е по-малък, завъртете го в обратна посока на часовниковите стрелки.
5. За окончателна проверка завъртете клапана в позицията за мощен пламък и в тази за слаб пламък, като се уверите, че пламъкът не изгасва. Позицията на регулиращия винт може да варира в зависимост от вида на газовия клапан, с който е оборудван Вашият уред. За да се приспособи уреда в зависимост от вида на използвания газ, извършете внимателно регулировката за слаб пламък чрез завъртане на регулиращия винт с подходяща отвертка и сменете дюзите (фигури 6 и 7).



Фигура 6



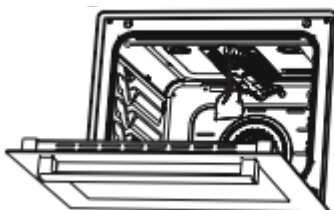
Фигура 7

### Демонтаж на долната и горната горелка и монтаж на дюзата за фурната

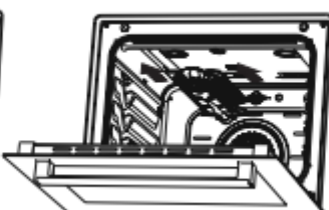
#### Демонтаж на горната горелка:

- С помощта на отвертка развийте винта, както е показано на фигура 8.  
 Както е показано на фигура 9, издърпайте горелката навън и я извадете.  
 Извадете дюзата с помощта на гаечен ключ, както е показано на фигура 10.  
 За да монтирате горелката обратно на място, изпълнете стъпките за нейния демонтаж, но в обратен ред.

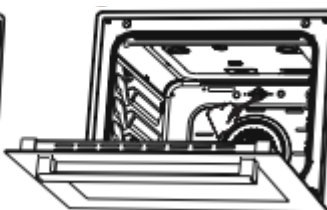
Фигура 8



Фигура 9



Фигура 10



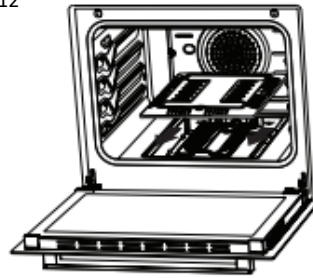
#### Демонтаж на долната горелка:

- Капакът на долната горелка е фиксиран с два винта.  
 Развийте го с помощта на отвертка, както е показано на фигура 11.  
 Издърпайте капака нагоре и го отстранете, както е показано на фигура 12.  
 Извадете горелката от корпуса ѝ, като я издърпате навън, както е показано на фигура 13.  
 Извадете дюзата с помощта на гаечен ключ, както е показано на фигура 14.  
 За да монтирате горелката обратно на място, изпълнете стъпките за нейния демонтаж, но в обратен ред.

Фигура 11



Фигура 12



Фигура 13



Фигура 14



## ИНСТАЛИРАНЕ НА ФУРНАТА

Уверете се, че електрическата инсталация е подходяща за въвеждане в експлоатация на уреда. Ако електрическата инсталация е несъответстваща, обърнете се към електротехник и към монтажник/техник, за да се извършат всички необходими операции. Производителят не носи отговорност за щети, причинени вследствие на извършване на операциите от неоторизирани лица.

**ПРЕДУПРЕЖДЕНИЕ:** Подготовката на мястото, където следва да бъде монтиран продуктът, и изграждането на електрическата инсталация са отговорност на клиента.

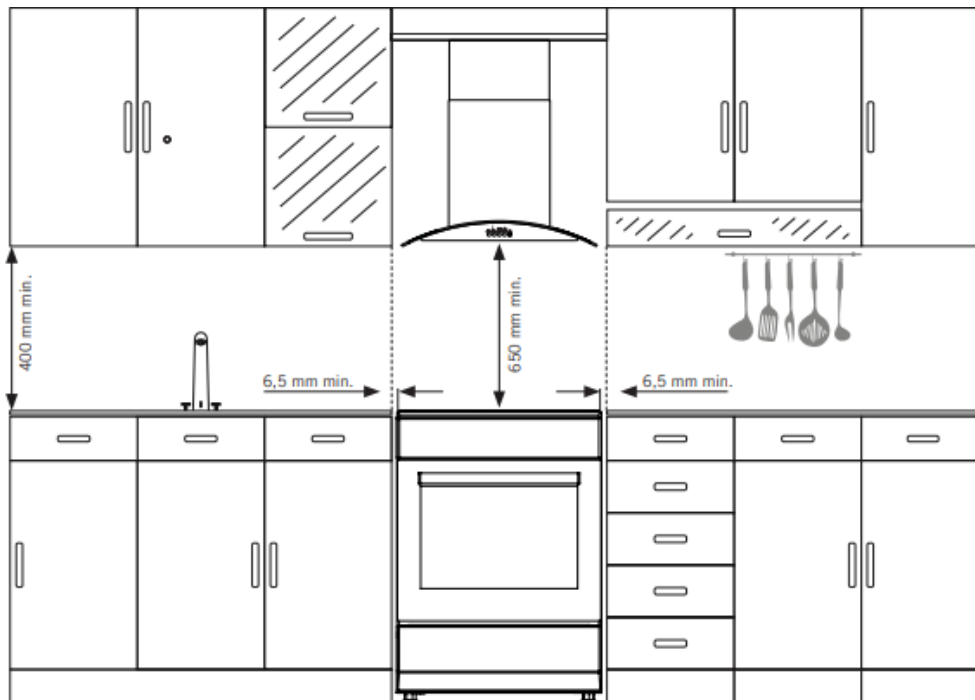
**ПРЕДУПРЕЖДЕНИЕ:** По време на инсталиране на продукта трябва да се спазват правилата на местните стандарти относно електрическите инсталации.

**ПРЕДУПРЕЖДЕНИЕ:** Преди да инсталирате уреда, уверете се, че няма повреди. Не инсталирайте уреда, ако е повреден. Повредените продукти представляват риск за Вашата безопасност.

### Подходящо място за инсталиране и важни предупреждения

Крачетата на уреда не трябва да са поставени върху меки повърхности, като килими. Кухненският под трябва да е твърд, за да издържа теглото на уреда и на кухненските прибори, които могат да се използват във фурната. Уредът трябва да се използва със свободно пространство от минимум 400 мм над горната повърхност на плота и 6,5 мм от страничните повърхности в корпуса на кухненската мебел. Уредът е подходящ за използване от двете странични стени (без никакво закрепване) или без да се вгражда в шкаф. В случай на инсталиране на абсорбатор или смукателно устройство над готварската печка, следвайте инструкциите на производителя за информация относно височината на монтаж (минимум 650 мм).



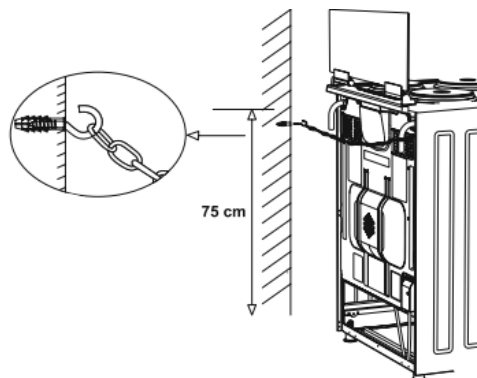


**ПРЕДУПРЕЖДЕНИЕ:** Кухненските шкафове в близост до уреда трябва да са топлоустойчиви.

**ПРЕДУПРЕЖДЕНИЕ:** Не инсталирайте уреда в близост до хладилници или фризери. Топлината, която се излъчва от уреда, води до увеличаване на консумацията на електроенергия на охлаждащите устройства.

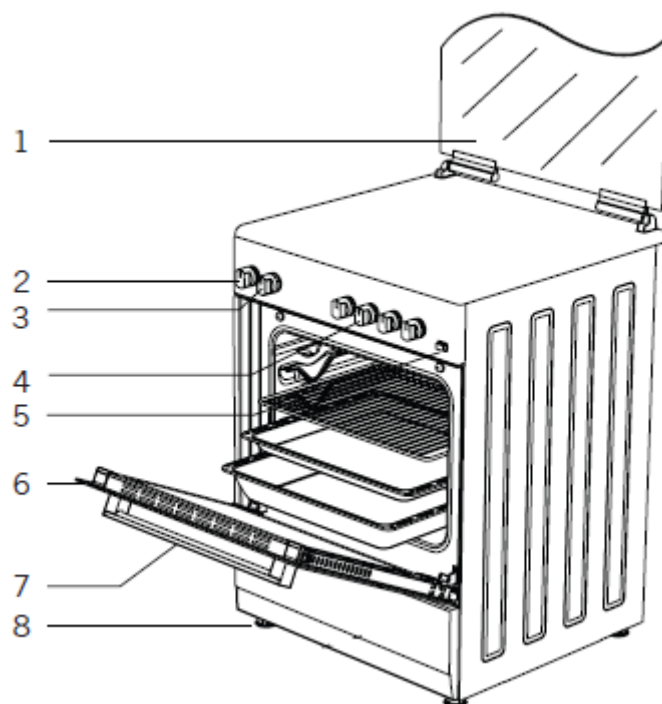
**ПРЕДУПРЕЖДЕНИЕ:** Не използвайте вратата и/или дръжката на уреда, за да го транспортирате или премествате.

#### Свързване към стена

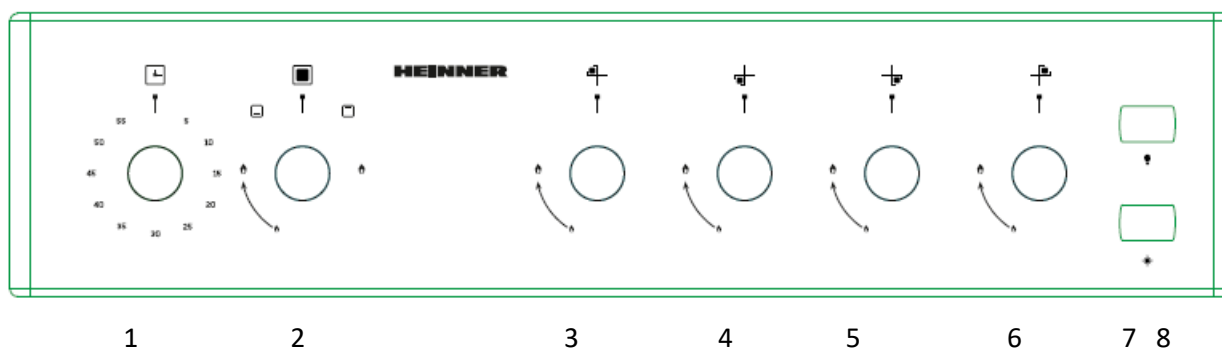


Преди да започнете да използвате уреда, за да се осигури безопасна работа, свържете уреда към стената с помощта на предоставените верига и кука. Уверете се, че сте фиксирали добре куката към стената.

## 5. ОПИСАНИЕ НА ПРОДУКТА



1. Метален капак
2. Настройки на термостата
3. Настройка на фурната
4. Бутони за управление на готварската печка
5. Бутон за запалване
6. Врата
7. Дръжка
8. Пластмасово краче



1. Настройки на термостата
2. Настройка на фурната
3. Заден ляв нагревателен елемент
4. Преден ляв нагревателен елемент
5. Преден десен нагревателен елемент
6. Заден десен нагревателен елемент
7. Лампа за фурна
8. Бутон за запалване



## 6. ИЗПОЛЗВАНЕ НА ПРОДУКТА

### ИЗПОЛЗВАНЕ НА ФУРНАТА

#### Използване на горелките на фурната:

1. Ако фурната е оборудвана с газови горелки, трябва да използвате съответстващия бутон за запалване на горелките. Някои модели имат автоматично запалване от бутона; горелката може лесно да бъде запалена чрез завъртане на бутона. Също така, горелките могат да бъдат запалени чрез натискане на бутона за запалване или с помощта на кибритена клечка.
2. Не задействайте запалката непрекъснато за повече от 15 секунди. Ако горелката не се запали, изчакайте поне 1 минута, преди да опитате отново. Ако горелката случайно изгасне, завъртете бутона за управление до позиция „изключено“ и изчакайте поне 1 минута, преди да опитате отново.

#### Използване на нагревателните елементи на фурната

1. При първото използване на фурната ще се образува миризма, причинена от работата на нагревателните елементи. За да премахнете тази миризма, оставете фурната да работи при 240°C за около 45-60 минути, без да поставяте нищо в нея.
2. Бутонът за управление на фурната трябва да се позиционира при желаната стойност. В противен случай фурната няма да работи.
3. Видовете храни, времената за готвене и позициите на термостата са показани в таблицата с препоръчителното време за готвене. Посочените стойности в таблицата са характерни стойности и са получени при проведените тестове в нашата лаборатория. Може да получите различни ястия по Ваш вкус, в зависимост от начина на приготвяне и кулинарните навици.
4. Може да изпечете пиле на въртящия се грил с помощта на аксесоарите.
5. Продължителност за готвене: Резултатите могат да варират в зависимост от качеството на съставките, тяхното количество и температурите на готвене.
6. Когато готвите с помощта на фурната, избягвайте да отваряте често вратата ѝ. В противен случай може да се засегне топлинния поток и резултатите може да са различни.

#### Използване на грила

1. Когато поставяте грила на горната решетка, храната върху грила не трябва да се допира до него.
2. Можете да загреете предварително в продължение на 5 минути по време на грила. Ако е необходимо, можете да обърнете храната с главата надолу.
3. Храната трябва да е в центъра на грила, за да се осигури максимален въздушен поток през фурната.

За да включите грила:

1. Поставете функционалния бутон върху символа за грил.
2. След това го настройте на желаната температура на грила.

За да изключите грила: 1:

Поставете функционалния бутон в положение за изключване.

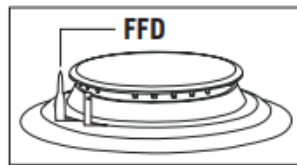
**ПРЕДУПРЕЖДЕНИЕ:** Дръжте вратата на фурната затворена, докато печете на грил. (електрически грил с термостат)

**ПРЕДУПРЕЖДЕНИЕ:** Дръжте вратата на фурната отворена, докато печете на грил. (газов и електрически грил без термостат)

### Използване на печката

#### Използване на газовите горелки

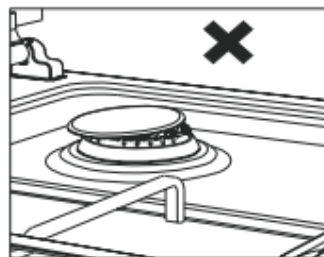
**Устройство за наблюдение на пламъка (FFD):** влиза в действие веднага след като предпазният механизъм се задейства вследствие на разливане на течности върху горните плочи.



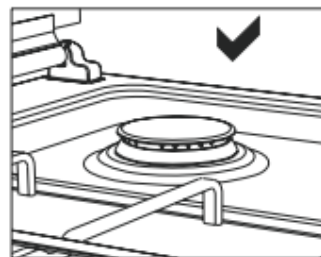
1. Бутоните за управление са оборудвани със специален предпазен механизъм. За да включите готварската печка, натиснете върху бутона в посока напред и го завъртете в обратна посока на часовниковите стрелки към символа на пламъка. Ще бъдат включени всички горелки, но само горелката, за която сте задействали бутона, ще се запали. Задръжте натиснат бутона до запалване. Натиснете върху бутона за запалката и завъртете бутона в обратна посока на часовниковите стрелки.
2. Не задействайте запалката непрекъснато за повече от 15 секунди. Ако горелката не се запали, изчакайте поне 1 минута, преди да опитате отново.
3. При моделите, които са оборудвани със система за безопасност за газ, когато пламъкът изгасне, регулиращият клапан спира автоматично газа. За да използвате горелки, които са оборудвани със система за безопасност, е необходимо да натиснете бутона и да го завъртите в обратна посока на часовниковите стрелки. След запалване трябва да изчакате около 5-10 секунди, за да се активира системата за безопасност. Ако горелката случайно изгасне, завъртете бутона за управление до позиция „изключено“ и изчакайте поне 1 минута, преди да опитате отново.

4. ● Затворено  Отворено изцяло  Отворено наполовина

5. Преди да използвате готварската печка уверете се, че сте поставили капаците на горелките по съответстващ начин. Правилната позиция на капаците на горелките е показано на изображението по-долу.



Фигура 16



Фигура 17

#### Размери на тенджерите

	50*50 cm
Малка горелка	12-18 cm
Средна горелка	18-20 cm
Голяма горелка	22-24 cm



Неправилно

Неправилно

Неправилно

Правилно

#### Технически характеристики на фурната

**ПРЕДУПРЕЖДЕНИЕ:** За да бъде извършена промяната от оторизирания сервиз, трябва да се вземе предвид тази таблица. Производителят не може да бъде отговорен за евентуални проблеми, които са възникнали вследствие на несъответстващи модификации.

**ПРЕДУПРЕЖДЕНИЕ:** За да се повиши качеството на продукта, техническите спецификации подлежат на

промяна без предизвестие.


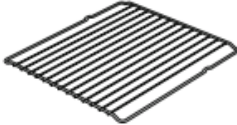
**ПРЕДУПРЕЖДЕНИЕ:** Стойностите, доставени заедно с уреда или в рамките на придружаващите документи, са лабораторни стойности в съответствие с приложимите стандарти. Тези стойности могат да варират в зависимост от условията на употреба и на околната среда.

Спецификации	50x60 cm
Ширина	500 mm
Дълбочина	630 mm
Височина	855 mm

Характеристики на горелката	G20, 20 mbar			G30, 28-30 mbar		
	CNG (природен газ)			LPG (втечен нефтен газ)		
Голяма горелка	Дюза	1,15	мм	Дюза	0,85	мм
	Дебит на газ	0,276	куб.м./час	Дебит на газ	211	гр./час
	Мощност	2,90	kW	Мощност	2,90	kW
Средна горелка	Дюза	0,97	мм	Дюза	0,65	мм
	Дебит на газ	0 162	куб.м./час	Дебит на газ	124	гр./час
	Мощност	1,7	kW	Мощност	1,70	kW
Помощна горелка	Дюза	0,72	мм	Дюза	0,50	мм
	Дебит на газ	0,96	куб.м./час	Дебит на газ	69	гр./час
	Мощност	0,95	kW	Мощност	0,95	kW
Горелка на фурната	Дюза	1,10	мм	Дюза	0,75	мм
	Дебит на газ	0,235	куб.м./час	Дебит на газ	182	гр./час
	Мощност	2,5	kW	Мощност	2,5	kW

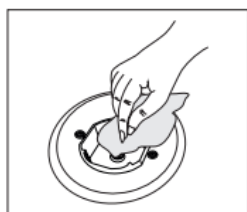
**ПРЕДУПРЕЖДЕНИЕ:** Стойностите на диаметъра са посочени без запетая върху дюзите. Например: диаметърът от 1,70 мм е посочен върху дюзите като „170“.

#### Акcesoари

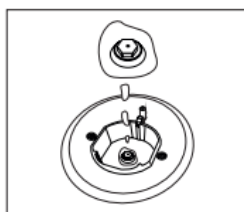
Стандартна тава	 <p>Използва се за сладкиши, големи пържоли, продукти с високо съдържание на течности. Може да се използва и като контейнер за събиране на мазнината, когато използвате грила или приготвяте замразени храни.</p>
Скара	 <p>Използва се за пържене, печене или позициониране на замразени храни на желаното ниво.</p>

## 7. ПОЧИСТВАНЕ И ПОДДРЪЖКА

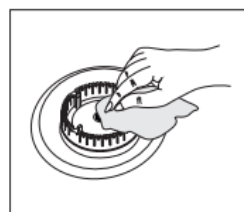
1. Изключете щепсела на уреда от източника на захранване.
2. По време на работа или веднага след започване на работата уредът е много горещ. Не докосвайте нагревателните елементи.
3. Не почиствайте вътрешността, контролния панел, вратата, тавите или другите компоненти на фурната с телчета за съдове, твърди четки или остри предмети. Не използвайте твърди материали или абразивни почистващи препарати.
4. След почистване на вътрешните компоненти на фурната с кърпа, напоена с препарат за миене, изплакнете ги с вода и ги избършете добре със суха кърпа.
5. Почиствайте стъклените повърхности с вещества, специално предназначени за почистване на стъкло.
6. Не почиствайте фурната с уреди за почистване с пара.
7. Преди да отворите горния капак на фурната, отстранете разлятата течност върху него. Освен това, преди да затворите капака, уверете се, че плочата се е охладила.
8. Не използвайте запалими вещества, като киселина, разреждател или бензин, за да почиствате фурната.
9. Не измивайте компонентите на фурната в съдомиялна машина.
10. За да почистите стъклената врата на фурната, развийте с отвертка винтовете, които фиксират дръжката, и извадете вратата. След това я почистете и изплакнете добре. След като я изсушите, поставете вратата по съответстващ начин и монтирайте дръжката обратно на място.



Фигура 18

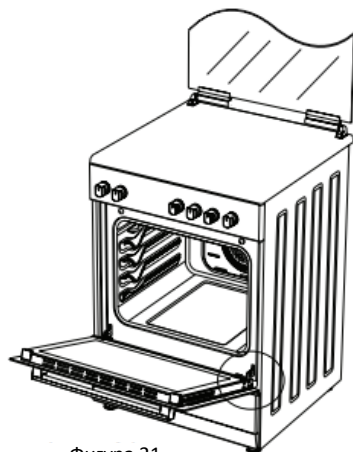


Фигура 19

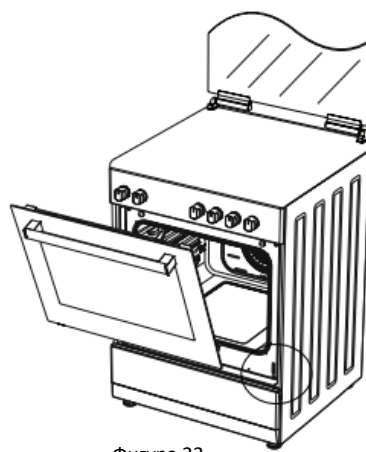


Фигура 20

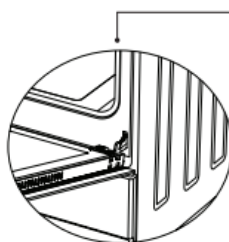
### Монтаж на вратата на фурната



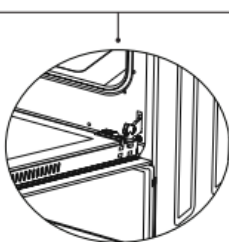
Фигура 21



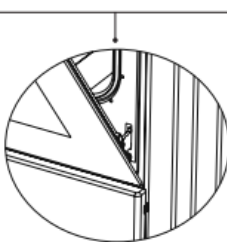
Фигура 22



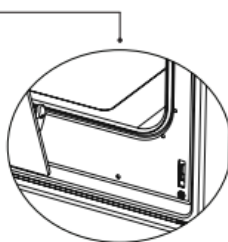
Фигура 21.1



Фигура 21.2



Фигура 22.1



Фигура 22.2

Издърпайте вратата на фурната към Вас, за да я отворите напълно. След това деблокирайте пантата, като издърпате нагоре системата за блокиране на пантата с помощта на отвертка, както е показано на **Фигура 21.1**.

Отворете напълно системата за блокиране на пантата, както е показано на **Фигура 21.2**. Преместете и двете панти на вратата на фурната в една и съща позиция.

След това затворете вратата на фурната до позиция, при която се допира до системата за блокиране на пантата, както е показано на **Фигура 22.1**.

За да премахнете вратата на фурната, хванете я с две ръце и я издърпайте нагоре, когато е близо до затворено положение, както е показано на **фигура 22.2**.

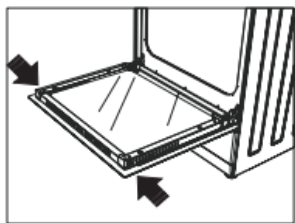
**За да монтирате отново вратата на фурната, следвайте горните стъпки в обратен ред.**

#### Почистване и поддръжка на стъклото на вратата на фурната

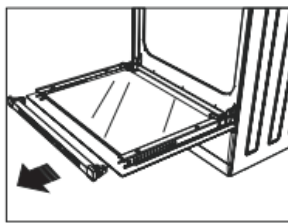
Натиснете върху пластмасовите блокиращи системи отляво и отдясно, както е показано на Фиг. 23, след което извадете профила, като го издърпате към Вас, както е показано на Фиг. 24.

След това извадете вътрешното стъкло, както е показано на Фиг. 25.

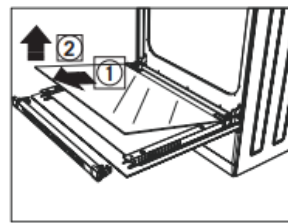
Ако е необходимо, средното стъкло може да бъде извадено по същия начин. След извършване на операциите по почистване и поддръжка, монтирайте стъклата и профила на място в обратен ред. Уверете се, че профилът е монтиран по съответстващ начин.



Фигура 23



Фигура 24



Фигура 25

## 8. ОТСТРАНЯВАНЕ НА ПРОБЛЕМИ

Проблем	Възможна причина	Решения
Фурната не работи.	Източникът на захранване с газ не е наличен.	Уверете се, че основният газов клапан е отворен.
		Проверете газовия тръбопровод, за да се уверите, че не е огънат.
		Уверете се, че маркучът за газ е свързан към фурната.
		Уверете се, че се използва съответстващ газов клапан.
Вратата на фурната не се отваря по съответстващ начин.	Остатъци от храна са останали между вратата на фурната и нейното тяло.	Почистете добре фурната.
Запалката не работи.	Тръбите на горелките са запушени.	Почистете тръбите на горелките.
Изтича вода върху компонентите на уреда.	Вода или пара могат да се образуват при определени условия, в зависимост от храните, които се приготвят. Това не представлява дефект на уреда.	Оставете фурната да се охлажда, след което елиминирайте водата с попивателна кърпа.
Излиза пара покрай вратата.		
Остава вода във вътрешността на фурната.		
Фурната не се нагрява.	Вратата на фурната е отворена.	Затворете вратата.
	Бутоните на фурната не са регулирани правилно.	Вижте раздела за използване на фурната.
Излиза дим по време на работа.	Използвайте фурната за първи път.	Нагревателните елементи образуват дим. Това не представлява дефект. След 2-3 работни цикъла димът няма да се образува вече.
	Има храни върху нагревателните елементи.	Оставете фурната да се охлажда и почистете остатъците от храна върху нагревателния елемент.
По време на работа на фурната се усеща миризма на изгоряла пластмаса.	Във фурната се използват аксесоари от пластмаса или от друг материал, който не е устойчив на топлина.	При високи температури използвайте подходящи стъклени съдове.
Фурната не готви по съответстващ начин.	Вратата на фурната се отваря често по време на готвене.	Ако не е необходимо да обръщате храните, които готвите, не отваряйте често вратата на фурната. Ако отваряте често вратата, температурата във фурната ще спадне и, следователно, резултатът от готвенето ще бъде засегнат.

## Смяна на лампата на фурната

**ПРЕДУПРЕЖДЕНИЕ:** За да избегнете токов удар, уверете се, че веригата на уреда е отворена, преди да смените лампата. (ако веригата е отворена, означава, че захранването е изключено)

Първо изключете захранването на уреда и се уверете, че уредът е студен.

Свалете защитното стъкло, като го завъртите, както е посочено на фигурата. Ако ви е трудно да завъртите, използването на пластмасови ръкавици ще ви помогне при завъртането.

След това отстранете лампата чрез завъртане и монтирайте новата лампа със същите спецификации.

Поставете отново стъклената защита, включете захранващия кабел на уреда в електрическия контакт и завършете подмяната. Вече можете да използвате фурната си.



### ПРАВИЛА ЗА БОРАВЕНЕ

1. Не използвайте вратата и/или дръжката на уреда, за да го транспортирате или премествате.
2. Извършвайте преместването и транспортирането в оригиналната опаковка.
3. Обърнете максимално внимание на уреда по време на товарене/разтоварване и боравене.
4. Уверете се, че опаковката е добре затворена по време на боравене и транспортиране.
5. Защитете опаковката от външни фактори (влага, вода и др.), които могат да я повредят.
6. Внимавайте да не повредите уреда в резултат на удар, падане, изпускане и др. по време на боравене и транспортиране, и да не го счупите или деформирате по време на употреба.

### ПРЕПОРЪКИ ЗА СПЕСТЯВАНЕ НА ЕЛЕКТРОЕНЕРГИЯ

Подробностите по-долу ще Ви помогнат да използвате продукта по екологичен и икономичен начин.

1. Използвайте тъмно оцветени емайлирани съдове, които провеждат по-добре топлината във фурната.
2. Докато приготвяте храните, ако рецептата или наръчникът за употреба посочват факта, че е необходимо предварително загряване, загрейте фурната предварително.
3. Не отваряйте често вратата на фурната по време на готвене.
4. Опитайте се да не готвите едновременно няколко вида ястия във фурната. Може да готвите едновременно, ако поставите два съда върху решетката.
5. Гответе последователно няколко вида ястия. Фурната няма да загуби топлина.
6. Изключвайте фурната няколко минути преди изтичане на времето за готвене. В този случай не отваряйте вратата на фурната.
7. Размразявайте замразените храни преди готвене.

**Изхвърляне на отпадъците по начин, отговорен за околната среда**

Можете да помогнете за опазването на околната среда!

Моля спазвайте местните разпоредби: Предайте нефункциониращото електрическо оборудване на център за събиране на отпадъци от електрическо оборудване.

**HEINNER е регистрирана марка на компанията Network One Distribution SRL.**

Останалите търговски марки и наименованията на продуктите са търговски марки или регистрирани търговски марки на съответните им притежатели.

Нито една част от спецификациите не може да бъде възпроизвеждана под каквато и да е форма или средство, или използвана за получаване на производни като преводи, трансформации или адаптации, без предварителното съгласие на компанията NETWORK ONE DISTRIBUTION.

Copyright © 2013 Network One Distribution. Всички права запазени.

[www.heinner.com](http://www.heinner.com), <http://www.nod.ro>



Този продукт е проектиран и произведен в съответствие със стандартите и нормите на Европейската общност.

**Вносител: Network One Distribution**

ул. Марчел Янку № 3-5, Букурещ, Румъния

Тел: +40 21 211 18 56, [www.heinner.com](http://www.heinner.com) , [www.nod.ro](http://www.nod.ro)



# ГАЗОВА ПЛИТА

Модель:

**HFSC-S60LITGWH / HFSC-S60LITGSL**



- Газова плита, 4 газові пальники
  - 50 X 60 cm

**HEINNER**

## 1. ВСТУП

Перед початком використання цього приладу уважно прочитайте інструкцію з експлуатації. Зберігайте інструкцію для подальшого ознайомлення.

Ця інструкція розроблена таким чином, щоб надати вам усі необхідні вказівки щодо встановлення, використання та технічного обслуговування приладу.

Для правильного та безпечного використання приладу, будь ласка, уважно прочитайте цю інструкцію перед встановленням та використанням.

## 2. ВМІСТ ВАШОГО ПАКУНКУ

- ➔ Газова плита
- ➔ Інструкція користувача
- ➔ Гарантійний талон

## 3. ЗАПОБІЖНІ ЗАХОДИ

### Генерал

1. Монтажні та ремонтні роботи мають проводитися тільки "АВТОРИЗОВАНОЮ СЕРВІСНОЮ СЛУЖБОЮ". Виробник не несе відповідальності за ремонтні роботи, які виконуються неавторизованими спеціалістами.
2. Будь ласка, уважно прочитайте цю інструкцію користувача. Тільки так ви зможете правильно та безпечно користуватися приладом.
3. Духова шафа має використовуватися відповідно до інструкції користувача.
4. Не дозволяйте дітям до 8 років і домашнім тваринам перебувати поблизу приладу під час його роботи.
5. **ПОПЕРЕДЖЕННЯ:** Під час використання гриля доступні частини можуть бути гарячими. Зберігайте в недоступному для дітей місці.
6. **ПОПЕРЕДЖЕННЯ:** Пожежонебезпечно; не зберігайте матеріали на поверхні для приготування їжі.
7. **ПОПЕРЕДЖЕННЯ:** Під час роботи прилад та доступні частини приладу нагріваються.
8. Параметри регулювання цього приладу вказані на етикетці або табличці з технічними даними.
9. Доступні частини можуть нагріватися під час використання гриля. Не підпускайте до приладу маленьких дітей.
10. **ПОПЕРЕДЖЕННЯ:** Цей прилад призначений лише для приготування їжі. Його не можна використовувати для будь-яких інших цілей, наприклад, для обігріву приміщення.
11. Не використовуйте парочисники для чищення приладу.
12. Переконайтеся, що перед тим, як ставити їжу в духовку, двері духової шафи повністю зачинено.
13. НЕ НАМАГАЙТЕСЯ загасити вогонь водою. Просто від'єднайте прилад від джерела живлення і накрийте полум'я кришкою або вогнетривкою ковдрою.
14. Дітей віком до 8 років слід тримати подалі від приладу, якщо вони не можуть перебувати під постійним наглядом.
15. Старайтеся не торкатися нагрівальних елементів.
16. **УВАГА:** Процес приготування їжі має бути під наглядом. Процес приготування необхідно постійно тримати під наглядом.
17. Цей прилад можуть використовувати діти старше 8 років, особи з фізичними, слуховими або розумовими вадами, а також особи, які не мають достатнього досвіду або знань, тільки якщо вони знаходяться під наглядом або отримали інформацію про можливі загрози що виникають внаслідок його використання.
18. Цей прилад використовується виключно для домашнього вжитку.
19. Не дозволяйте дітям гратися з приладом. Чищення та підтримання приладу в належному стані дозволяється дітям, якщо їм виповнилося щонайменше 8 років і вони перебувають під наглядом

доросли

20. Зберігайте прилад і шнур живлення приладу в недоступному для дітей віком до 8 років місці.
21. Перед використанням приладу приберіть штори, тканини та інші вогненебезпечні матеріали з зони приладу, перед тим як почати користуватися ним. Не розміщуйте легкозаймисті матеріали всередині або на приладі.
22. Тримайте вентиляційні отвори чистими.
23. Прилад не підходить для використання з зовнішнім таймером або окремою системою дистанційного керування.
24. Не нагрівайте закриті консервні та скляні банки. Тиск може призвести до вибуху банок.
25. Ручка духовки не призначена для сушіння рушників. Не вішайте рушники, ганчірки тощо на ручку духовки.
26. Не ставте таці, каструлі або алюмінієву фольгу безпосередньо на дно духовки. Накопичене тепло може пошкодити дно духовки.
27. Використовуйте термостійкі кухонні рукавиці щоразу, коли ставите їжу в духовку або виймаєте її з неї.
28. Не використовуйте прилад під впливом ліків та/або алкоголю.
29. Звертайте особливу увагу на використання алкоголю в приготуванні препаратів. Алкоголь випаровується при високих температурах і при контакті з гарячими поверхнями може загорітися, викликаючи пожежу.
30. Після кожного використання переконайтеся, що прилад вимкнений.
31. Не використовуйте прилад, якщо він явно ушкоджений або несправний.
32. Не торкайтеся вилки мокрими руками. Не тягніть за кабель, якщо хочете від'єднати вилку від електричної мережі. Завжди тягніть за вилку.
33. Не використовуйте прилад, якщо скло дверей не встановлене або розбите.
34. Папір для випікання та їжа поміщаються разом у розігріту духовку після того, як вони були поміщені в посуд або на приладдя для випікання (лоток, гриль і т.д.).
35. Не кладіть на прилад предмети, до яких можуть дотягнутися діти.
36. Важливо правильно розмістити гриль і лоток на решітці та/або правильно розмістити лоток на рівень. Помістіть решітку (або лоток) між двома шинами і переконайтеся, що вона збалансована, перш ніж класти на неї їжу.
37. Видаліть надлишки паперу для випікання, що звисають з аксесуарів або посуду, щоб вони не торкалися нагрівальних елементів духовки.
38. Не використовуйте духовку при температурі, що перевищує максимальну температуру, яка вказана в характеристиках паперу для випікання. Не кладіть папір для випікання на дно духовки.
39. Коли двері духовки відчинено, не ставте на них важкі предмети і не дозволяйте дітям сидіти на ній. Це може призвести до перекидання духовки або пошкодження дверних петель.
40. Упаковка небезпечна для дітей. Зберігайте упаковку в недоступному для дітей місці.
41. Не використовуйте для чищення скла абразивні чистячі засоби або гострі металеві скребки, оскільки подряпини на поверхні скла дверей можуть призвести до його розбиття.
42. Не ставте прилад на килимове покриття. Якщо в нижній частині приладу не буде вентиляції, електричні компоненти перегріватимуться. Це може призвести до виходу приладу з ладу.
43. Не вдаряйте по скляних поверхнях склокерамічних плит твердими металевими предметами, оскільки це може призвести до порушення їх стійкості. Небезпека ураження електричним струмом!
44. Користувачу забороняється самостійно переміщати духовку.
45. Користувач повинен бути обережним під час чищення газових пальників. Інакше це може призвести до травм.
46. Їжа може розлитися, коли ніжка духовки знімається або ламається. Зверніть на це особливу увагу, оскільки це може призвести до виникнення травм.
47. Під час використання внутрішня та зовнішня поверхні духовки нагріваються. Відкриваючи двері духовки, остерігайтеся гарячої пари, що виходить зсередини духовки. Небезпека опіків!
48. При закритті верхньої кришки приладу посуд може перекинутися. Остерігайтеся падіння гарячої їжі на вас. Небезпека опіків!
49. Не ставте важкі предмети на відкриту дверку духовки, оскільки існує ризик її перекидання.
50. Під час чищення користувач не повинен знімати нагрівальний елемент з його місця. Небезпека ураження електричним струмом!
51. Не знімайте вимикачі запалювання приладу. Невиконання цієї вимоги може призвести до випадкового дотику до кабелів під напругою. Небезпека ураження електричним струмом!
52. Під час будівельних робіт електроживлення приладу може бути відключено. Після завершення робіт прилад повинен бути знову підключений до електромережі авторизованим сервісним спеціалістом.
53. Не ставте металевий посуд (ножі, виделки, ложки тощо) на поверхню приладу, оскільки він може нагрітися.
54. Щоб запобігти перегріванню приладу, не розміщуйте його за декоративною панеллю.
55. Перед зняттям захисних пристроїв вимикайте прилад. Після очищення встановіть захисні пристрої відповідно до інструкції.

56. Місце підключення кабелю повинно бути захищене.
57. **ПОПЕРЕДЖЕННЯ:** Не використовуйте одночасно духовку та пальники гриля.
58. Будь ласка, не готуйте їжу безпосередньо на лоток/грилі. Поміщайте їжу в або на належні аксесуари перед тим, як ставити її в духовку.
59. Перед закриттям кришки дайте гарячим поверхням охолонути.

## БЕЗПЕКА ПІДКЛЮЧЕННЯ ДО ДЖЕРЕЛА ГАЗУ

1. Даний прилад не підключений до системи відведення відпрацьованих газів. Підключення та встановлення цього приладу повинно здійснюватися відповідно до діючих правил щодо монтажу. Необхідно враховувати умови вентиляції.
2. Під час використання газової плити в приміщенні виділяється волога, тепло і продукти згорання. Перш за все, переконайтеся, що кухня добре провітрюється під час використання приладу, і тримайте природну вентиляцію відкритою або встановіть обладнання для механічної вентиляції.
3. Після інтенсивного та тривалого використання приладу може знадобитися додаткова вентиляція. Наприклад, відкрийте вікно або відрегулюйте механічну вентиляційну установку (за наявності) так, щоб вона працювала з більшою швидкістю.
4. Цей прилад необхідно використовувати тільки в добре провітрюваних приміщеннях відповідно до діючих норм і правил. Будь ласка, прочитайте інструкцію перед початком встановлення або використання цього приладу.
5. Перед встановленням приладу переконайтеся, що характеристики місцевої газорозподільної мережі (тип газу і тиск газу) відповідають вимогам щодо експлуатації приладу.
6. Механізм запалювання не може працювати довше 15 секунд. Якщо конфорка не запалюється через 15 секунд, вимкніть механізм запалювання і зачекайте принаймні одну хвилину, перш ніж спробувати запалити конфорку знову.
7. Всі роботи на газовій установці мають бути виконані авторизованими та кваліфікованими особами.
8. Даний прилад призначений для роботи на природному газі (ПГ). Якщо ви бажаєте використовувати прилад на іншому типі газу, зверніться до авторизованого сервісного центру за допомогою щодо здійснення необхідних модифікацій.
9. Для належної роботи приладу необхідно періодично замінювати витяжку, газову трубу та хомут відповідно до рекомендацій виробника та при необхідності.
10. Газ має горіти належним чином. Правильне згорання газу можна визначити за безперервним синім полум'ям. Якщо газ не згорає належним чином, може утворюватися чадний газ (CO). Чадний газ - це безбарвний, без запаху і високотоксичний газ, який може спричинити смерть навіть у невеликих кількостях.
11. Зверніться до місцевого постачальника газу з питаннями про номери телефонів для виклику аварійної служби та про необхідні заходи яких необхідно вжити при виявленні запаху газу.

### Заходи у разі виявлення запаху газу

1. Не користуйтеся джерелами відкритого вогню та не паліть.
2. Не користуйтеся електричними вимикачами (вимикач світла, дверний дзвінок тощо).
3. Не користуйтеся стаціонарними та мобільними телефонами.
4. Відкривайте двері та вікна.
5. Перекрийте всі газові прилади та крани газових лічильників.
6. Зателефонуйте в пожежну службу з телефону, що знаходиться за межами будинку.
7. Перевірте всі шланги та їхні з'єднання на предмет витoku газу. Якщо ви все ще відчуваєте запах газу, вийдіть з будинку і попередьте сусідів.
8. Тільки після того, як влада визначить, що небезпеки немає, повертайтеся до будинку.

### Призначення для використання

1. Даний пристрій призначений для домашнього використання. Комерційне використання не дозволяється.
2. Прилад можна використовувати лише для приготування їжі. Його не можна використовувати для інших цілей, наприклад, для обігріву приміщення.
3. Цей прилад не можна використовувати для розігрівання їжі на грилі, обігріву приміщення або сушіння одягу чи рушників на ручці двері духовки.
4. Виробник не несе відповідальності за пошкодження, що виникають внаслідок неналежного

використання або неправильного поводження з приладом.

5. Духовку можна використовувати для розморожування, випікання та смаження харчових продуктів.

6. Термін служби придбаного вами приладу становить 10 років. Це період, протягом якого виробник постачає запасні частини, які необхідні для роботи цього приладу.

## 4. ВСТАНОВЛЕННЯ

### Підключення до системи газопостачання

**ПОПЕРЕДЖЕННЯ:** Перед початком будь-яких робіт на газовій установці перекрийте подачу газу. Небезпека вибуху! Будь ласка, використовуйте прилад у сухому приміщенні.

1. Встановіть хомут на шланг. Просуньте один кінець шланга так, щоб він дійшов до кінця труби.
2. Для перевірки герметичності переконайтеся, що кнопки на панелі управління закриті, а газовий балон відкритий. Нанесіть на місце з'єднання суміш мила та води. Якщо газ буде витікати, розчин утворить бульбашки.
3. Прилад слід використовувати тільки в добре провітрюваних приміщеннях і розміщувати на горизонтальній поверхні.
4. Знову перевірте газове підключення.
5. Встановлюючи плиту, переконайтеся, що вона знаходиться на одному рівні зі стільницею. За необхідності вирівняйте її за допомогою ніжок.
6. Не допускайте контакту газового шланга та електричного шнура з гарячими поверхнями приладу, особливо з його задньою частиною. Не пересувайте прилад, поки він підключений до газової труби. Натискання на шланг може призвести до його ослаблення, що спричинить витік газу.
7. Будь ласка, використовуйте гнучкий шланг для підключення до газового джерела.

### Підключення до джерела зрідженого газу



Для підключення до джерела зрідженого газу (до балону) приєднайте металевий хомут до шлангу, що виходить з балону зрідженого газу. Приєднайте один кінець шланга до фітинга на задній панелі приладу, просунувши його в штуцер. Для легкого приєднання шланга нагрійте його в окропі. Потім надіньте хомут на кінець шланга і затягніть його за допомогою викрутки. Прокладка та фітинг для з'єднання показані на зображенні нижче.

**ПРИМІТКА:** Підключення до балону зрідженого газу необхідно виконуватися за допомогою регулятора тиску, налаштованого на тиск 300 мм водяного стовпа

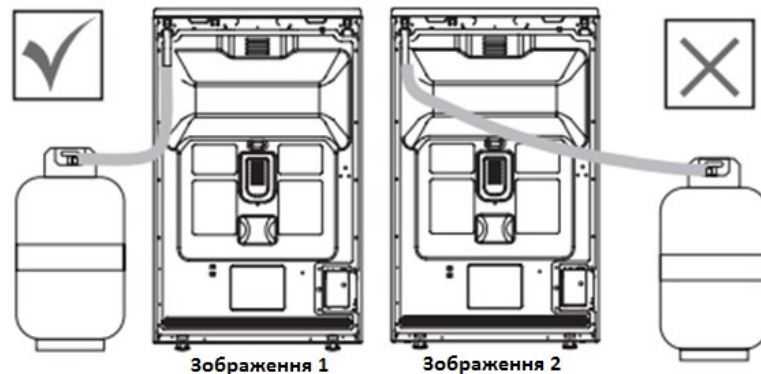
### Інструкція щодо підключення до системи газопостачання



**ПОПЕРЕДЖЕННЯ:** Підключення до газової мережі має здійснюватися кваліфікованим персоналом. Для підключення до труби природного газу вставте прокладку в гайку на кінці з'єднувального шланга для

природного газу. Щоб під'єднати шланг до газової магістралі, потрібно підкрутити гайку. Завершите підключення, виконуючи перевірку на виявлення витoku газу.

### Розташування газового шланга



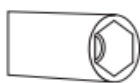
Приєднайте прилад до крана газової труби використовуючи якомога коротший шлях, аби не допустити витoku газу. Для того, щоб перевірити наявність витоків, переконайтеся, що кнопки на панелі керування закриті, а газовий балон відкритий.

**ПОПЕРЕДЖЕННЯ:** Під час перевірки герметичності не використовуйте запальнички, сірники, сигарети або інші джерела полум'я. Застосуйте мильний розчин у місцях з'єднань. Якщо існують витoki, газ буде створювати бульбашки. Встановлюючи прилад, переконайтеся, що він знаходиться на одному рівні зі стільницею. За необхідності відрегулюйте рівень за допомогою ніжок. Використовуйте прилад на горизонтальній поверхні в добре провітрюваному приміщенні.

**ПОПЕРЕДЖЕННЯ:** Перед встановленням приладу переконайтеся, що характеристики місцевої газорозподільної мережі (тип газу і тиск газу) відповідають вимогам щодо експлуатації приладу.

### Процедура заміни форсунок

1. Для демонтажу та монтажу форсунок використовуйте спеціальний торцевий ключ (Зобр. 3).
2. Для демонтажу форсунки (Зобр. 4) та встановлення нової форсунки (Зобр. 5) скористайтесь спеціальним ключем.



Зобр. 3



Зобр. 4



Зобр. 5

### Провітрювання приміщення

Повітря, необхідне для горіння, забирається з повітря в приміщенні, а продукти згорання виводяться безпосередньо в приміщенні. Для безпечного використання приладу важливим фактором являється провітрювання приміщення. Якщо в приміщенні відсутнє вікно або отвір для вентиляції, необхідно додатково встановити систему вентиляції. Однак, якщо в приміщенні присутні двері, що відчиняються назовні, вентиляційні отвори не потрібні.

Розмір приміщення	Вентиляційний отвір
-------------------	---------------------



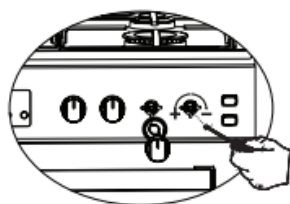
Менше ніж 5 м <sup>3</sup>	мін. 100 см <sup>2</sup>
Між 5 м <sup>3</sup> та 10 м <sup>3</sup>	мін. 50 см <sup>2</sup>
Понад 10 м <sup>3</sup>	не потрібно
У підвалі або погребі	мін. 65см <sup>2</sup>

### Регулювання низької подачі газу для кранів плити:

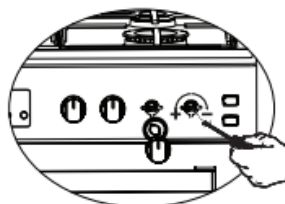
1. Запаліть конфорку, яку потрібно відрегулювати, і поверніть регулятор у положення малого полум'я.  
 2. Вийміть регулятор з крана.  
 3. Для того, щоб закрутити регулятор потоку, скористайтеся відповідною викруткою. Для роботи на зрідженому газі (бутан-пропан) поверніть регулятор за годинниковою стрілкою. Для роботи на природному газі поверніть регулятор один раз проти годинникової стрілки. Нормальна висота прямого полум'я в положенні, установленому краном малого полум'я, має бути приблизно 6-7 мм.

4. Якщо полум'я більше, поверніть регулятор за годинниковою стрілкою. Якщо полум'я нижче, поверніть його проти годинникової стрілки.

5. Для завершальної перевірки поверніть регулятор у положення сильного та слабкого полум'я, переконавшись, що полум'я не згасає. Положення регулювального болта може відрізнитися залежно від типу газового регулятора, яким оснащений ваш прилад. Для того, щоб адаптувати прилад до типу використовуваного газу, обережно відрегулюйте налаштування малого полум'я, обертаючи регулятор за допомогою відповідної викрутки, а також замініть форсунки, як показано нижче (Зобр. 6 та 7).



Зображення 6



Зображення 7

### Зняття нижнього і верхнього пальника та встановлення форсунки для духовки

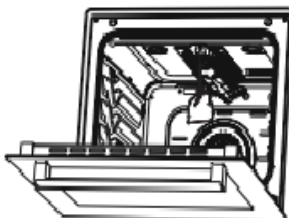
#### Демонтаж верхнього пальника:

За допомогою викрутки відкрутіть гвинт так, як показано на зображенні 8.

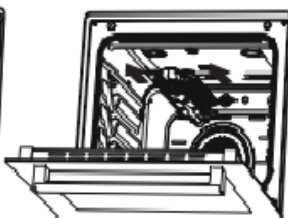
Так, як показано на зображенні 9, витягніть пальник і зніміть його.

Так як показано на зображенні 10, зніміть форсунку за допомогою торцевого ключа. Для того, щоб встановити пальник на місце, виконайте дії зі зняття пальника у зворотному порядку.

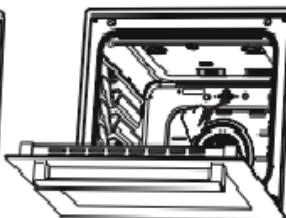
Зображення 8



Зображення 9



Зображення 10



### Демонтаж нижнього пальника:

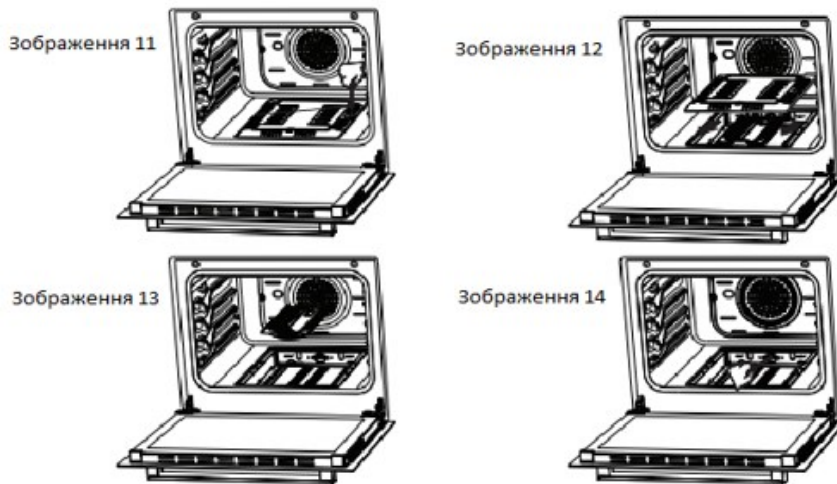
Кришка нижнього пальника закріплена двома гвинтами.

Відкрутіть їх за допомогою викрутки, як це показано на зображенні 11.

Підтягніть кришку і вийміть її, як показано на зображенні 12.

Зніміть пальник з його миста, потягнувши його назовні, як це показано на зображенні 13. Як це показано на зображенні 14, зніміть форсунку за допомогою торцевого ключа.

Щоб встановити пальник обратно, виконайте ті ж самі операції, що й для його зняття, але у зворотному порядку.



## МОНТАЖ ДУХОВКИ

Переконайтеся, що електромережа придатна для введення приладу в експлуатацію. Якщо електрична мережа не сумісна, зверніться до електрика або спеціаліста для виконання всіх необхідних робіт. Виробник не несе відповідальності за будь-які пошкодження, що виникли в результаті робіт, виконаних неавторизованими особами.

**ПОПЕРЕДЖЕННЯ:** Підготовка місця, де буде встановлюватися прилад, та електромонтаж належать до обов'язків замовника.

**ПОПЕРЕДЖЕННЯ:** Під час встановлення приладу необхідно дотримуватися вимог місцевих електромонтажних норм і правил.

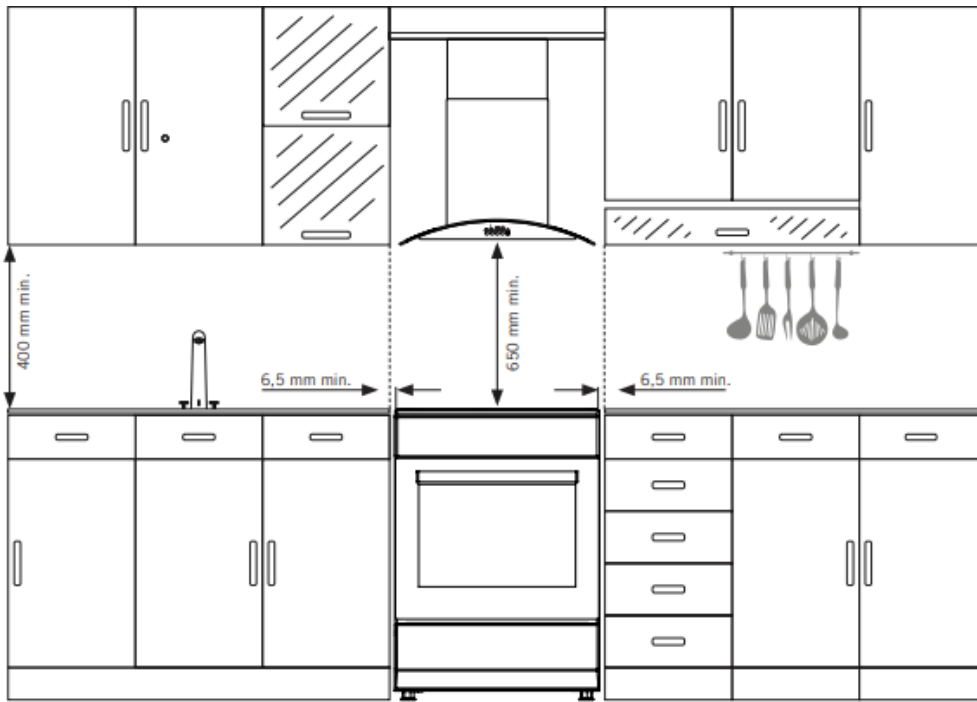
**ПОПЕРЕДЖЕННЯ:** Перед встановленням приладу переконайтеся, що він не пошкоджений. Не встановлюйте прилад, якщо він пошкоджений. Пошкоджені прилади становлять загрозу для вашої безпеки.

### Правильне місце для встановлення та важливі застереження

Ніжки приладу не повинні стояти на м'яких поверхнях, таких як килими. Кухонна підлога повинна бути міцною, щоб витримувати вагу приладу та кухонного приладдя, яке може використовуватися на духовці. Прилад слід встановлювати на відстані не менше 400 мм від верхньої поверхні кухонної плити та 6,5 мм від бічних поверхонь внутрішньої сторони кухонного меблевого комплексу.

Прилад підходить для використання на обох бокових стінках (без будь-якої опори) або без вбудовування в меблі. У разі встановлення витяжки або витяжного приладу над варильною поверхнею дотримуйтесь інструкцій виробника щодо висоти встановлення (мінімум 650 мм).



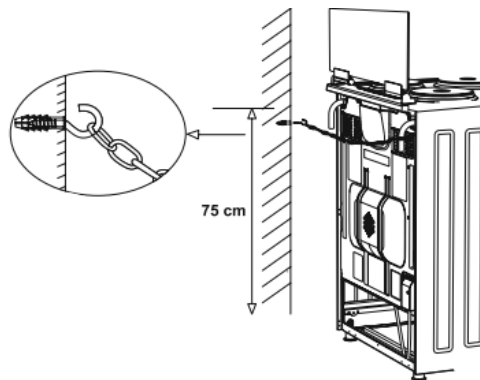


**ПОПЕРЕДЖЕННЯ:** Кухонні меблі біля приладу повинні бути термостійкими.

**ПОПЕРЕДЖЕННЯ:** Не рекомендується встановлювати прилад біля холодильників або морозильних камер. Тепло, що виділяється приладом, збільшує споживання енергії охолоджувальними пристроями.

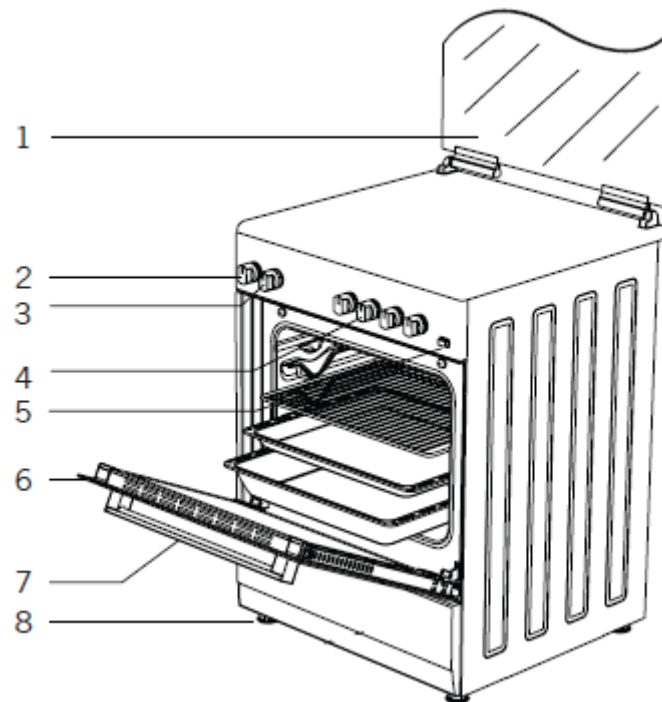
**ПОПЕРЕДЖЕННЯ:** Не використовуйте дверцята та/або ручку приладу для його транспортування або переміщення.

#### Настінне кріплення

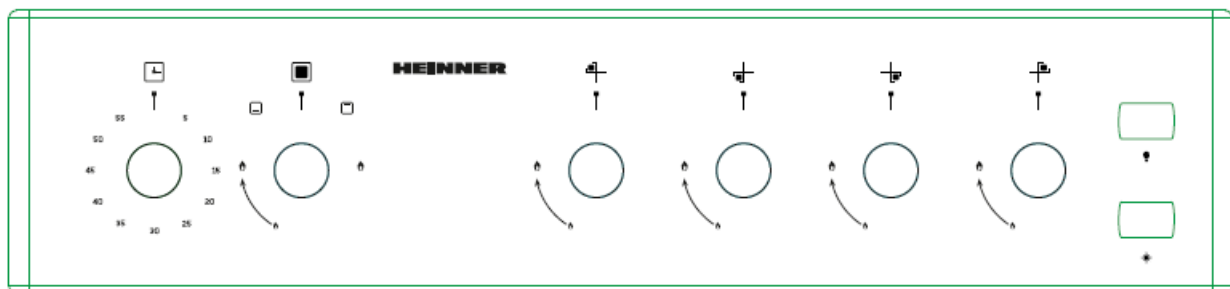


Перед використанням приладу, для забезпечення надійної експлуатації, прикріпіть прилад до стіни за допомогою ланцюга та гачка, що входять до комплекту поставки. Переконайтеся, що гак міцно закріплений на стіні.

## 5. ОПИС ПРОДУКТУ



1. Металева кришка
2. Налаштування таймера
3. Налаштування духовки
4. Перемикачі управління конфорками
5. Кнопка запалювання
6. Дверцята
7. Ручка
8. Пластикова ніжка



1 2 3 4 5 6 7 8

1. Налаштування таймера
2. Налаштування духовки
3. Задній лівий обігрівач
4. Передній лівий нагрівач
5. Передній правий обігрівач
6. Задній правий обігрівач
7. Лампа пічки
8. Кнопка запалювання

## 6. ВИКОРИСТАННЯ ПРИЛАДУ

### ВИКОРИСТАННЯ ДУХОВКИ

#### Використання пальників духовки:

1. Якщо духовка обладнана газовими пальниками, для їхнього запалювання необхідно скористатися відповідною кнопкою для їх розпалювання. Деякі моделі мають автоматичне запалювання від регулятора; пальник можна легко запалити, повернувши регулятор. Пальники також можна запалити, натиснувши на кнопку запалювання або за допомогою сірника.
2. Не тримайте запальник безперервно натиснутим більше 15 секунд. Якщо пальник не загоряється, зачекайте щонайменше 1 хвилину, перш ніж повторити спробу. Якщо пальник випадково вимикається, поверніть регулятор у положення "вимкнено" і зачекайте щонайменше 1 хвилину, перш ніж повторити спробу.

#### Використання нагрівальних елементів духовки

1. Під час першого використання духовки вона може виділяти запах, спричинений роботою нагрівальних елементів. Для того, щоб усунути цей запах, залиште духовку працювати при температурі в 240 °C на 45-60 хвилин, не поміщаючи в неї нічого.
2. Ручка управління духовкою повинна бути встановлена на потрібне значення. В іншому випадку духовка не буде працювати.
3. Типи продуктів, час приготування та положення термостата вказані в таблиці з рекомендаціями щодо тривалості приготування. Значення, що наведені в таблиці, являються типовими значеннями, отриманими в результаті випробувань, проведених в нашій лабораторії. Ви можете отримати різні блюда на свій смак, залежно від способу приготування і кулінарних звичок.
4. Ви можете приготувати курку-гриль за допомогою аксесуарів.
5. Тривалість приготування: Результати можуть відрізнятися залежно від якості інгредієнтів, їх кількості та температури приготування.
6. Готуючи в духовці, уникайте частого відкривання двері духовки. В протилежному випадку може порушитися циркуляція тепла, і результат може бути не таким, як хотілося б.

#### Використання гриля

1. Коли ви ставите гриль на верхню решітку, їжа на грилі не повинна торкатися решітки.
2. Під час готування на грилі можна розігріти протягом 5 хвилин. За необхідності можна перевернути страву догори дном.
3. Продукти повинні знаходитися в центрі решітки, щоб забезпечити максимальний потік повітря через піч.

#### Щоб увімкнути гриль:

1. Помістіть функціональну кнопку над символом гриля.
2. Потім встановіть бажану температуру гриля.

#### Щоб вимкнути гриль:

Переведіть функціональну кнопку у вимкнене положення.

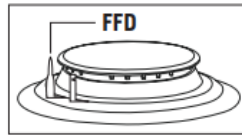
**ПОПЕРЕДЖЕННЯ:** Під час готування на грилі тримайте дверцята духовки зачиненими. (електричний гриль з термостатом)

**ПОПЕРЕДЖЕННЯ:** Тримайте дверцята духовки відчиненими під час готування на грилі. (газовий та електричний гриль без термостата)

### Використання газової плити

#### Застосування пальників

**Пристрій для контролю полум'я (FFD):** вступає в дію, як тільки спрацьовує запобіжний механізм внаслідок пролиття рідини на верхніх поверхнях пальників.



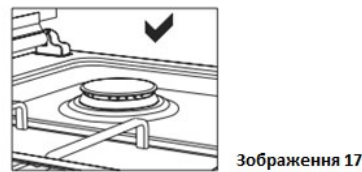
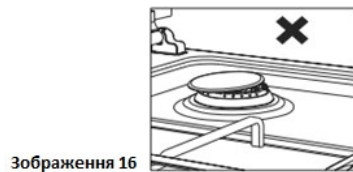
1. Регулятори управління оснащені спеціальним захисним механізмом. Щоб увімкнути плиту, необхідно натиснути регулятор вперед і повернути його проти годинникової стрілки до символу полум'я. Увімнуться всі пальники, але загориться лише той, для якого ви натиснули регулятор. Тримайте регулятор натиснутим до моменту запалювання. Натисніть регулятор запалювання і поверніть його в напрямку проти годинникової стрілки.

2. Не тримайте запальник безперервно натиснутим більше 15 секунд. Якщо пальник не загоряється, зачекайте принаймні 1 хвилину, перш ніж повторити спробу.

3. На моделях з системою газової безпеки, коли полум'я згасає, регулювальний клапан автоматично перекриває подачу газу. Щоб користуватися пальниками з системою безпеки, необхідно натиснути на регулятор і повернути його проти годинникової стрілки. Після запалювання необхідно почекати приблизно 5-10 секунд, щоб система безпеки спрацювала. Якщо пальник випадково згасає, необхідно повернути регулятор у положення "вимкнено" і зачекати щонайменше 1 хвилину, перш ніж повторити спробу знову.

4. ● Закрито  Повністю відкрито  Напіввідкрито

5. Перед використанням газової плити переконайтеся, що ви правильно встановили кришки пальників. Правильне положення пальників показано на зображенні нижче.



	50*50 cm
Маленький пальник	12-18 cm
Середня конфорка	18-20 cm
Великий пальник	22-24 cm



### Технічні характеристики духовки

**ПОПЕРЕДЖЕННЯ:** Для того, щоб авторизований сервісний центр міг виконати будь-яку модифікацію, необхідно взяти до уваги цю таблицю. Виробник не несе відповідальності за будь-які пошкодження, що виникають внаслідок неправильних модифікацій.

**ПОПЕРЕДЖЕННЯ:** З метою підвищення якості продукції технічні характеристики можуть бути змінені без попереднього повідомлення.


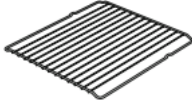
**ПОПЕРЕДЖЕННЯ:** Значення, що поставляються разом з приладом або в супровідних документах, представляють собою лабораторні значення відповідних діючим стандартам. Ці значення можуть змінюватися залежно від умов використання та навколишнього середовища.

Характеристики	50x60 cm
Ширина	500 mm
Глибина	630 mm
Висота	855 mm

Характеристики пальника	G20, 20 мбар			G30, 28-30 мбар		
	Природний газ			Скраплений газ		
Швидкий пальник	Форсунка	1,15	мм	Форсунка	0,85	мм
	Газовий потік	0,276	м3/годину	Газовий потік	211	г/годину
	Потужність	2,90	кВт	Потужність	2,90	кВт
Напівшвидкісний пальник	Форсунка	0,97	мм	Форсунка	0,65	мм
	Газовий потік	0,162	м3/годину	Газовий потік	124	г/годину
	Потужність	1,7	кВт	Потужність	1,70	кВт
Допоміжний пальник	Форсунка	0,72	мм	Форсунка	0,50	мм
	Газовий потік	0,96	м3/годину	Газовий потік	69	г/годину
	Потужність	0,95	кВт	Потужність	0,95	кВт
Пальник духовки	Форсунка	1,10	мм	Форсунка	0,75	мм
	Газовий потік	0,235	м3/годину	Газовий потік	182	г/годину
	Потужність	2,5	кВт	Потужність	2,5	кВт

**ПОПЕРЕДЖЕННЯ:** Значення діаметрів на форсунках вказуються без ком. Наприклад, діаметр в 1,70 мм на форсунках вказаний як "170".

#### Приналежності

Стандартний лоток	 <p>Використовується для випічки, великих смажених страв, продуктів з високим вмістом рідини. Також може використовуватися як збірник олії під час смаження на решітці або для приготування продуктів у замороженому вигляді.</p>
Решітка	 <p>Використовується для смаження, запікання або розміщення заморожених продуктів на потрібному рівні.</p>

## 7. ЧИЩЕННЯ ТА ОБСЛУГОВУВАННЯ

1. Від'єднайте розетку приладу від електромережі.
2. Під час роботи або одразу після початку роботи прилад дуже гарячий. Не торкайтеся нагрівальних елементів.
3. Не використовуйте для чищення внутрішньої поверхні, панелі керування, двері, лотків та інших компонентів духовки дряпані щітки, жорсткі щітки або гострі предмети. Не використовуйте жорсткі

матеріали або абразивні чистячі засоби.

4. Після очищення внутрішніх компонентів духовки ганчіркою, змоченою в миючому засобі, промийте їх водою і ретельно протирайте сухою ганчіркою.

5. Очищайте скляні поверхні речовинами, спеціально призначеними для очищення скла.

6. Не використовуйте для чищення духовки парочисники.

7. Перед тим, як відкрити верхню кришку духовки, необхідно видалити будь-яку рідину, що пролилася на неї. Крім того, перед закриттям кришки переконайтеся, що духовка охолочла.

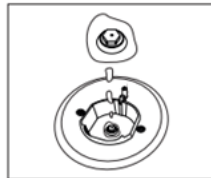
8. Не мийте компоненти духовки в посудомийній машині.

9. Nu spălați componentele cuptorului în mașina de spălat vase.

10. Для того, щоб почистити скло двері духовки, викруткою відкрутіть гвинти, що кріплять рукоятку, і зніміть двері. Потім добре вимийте і ретельно промийте. Після висихання правильно розташуйте двері та вставте рукоятку на місце.



Зображення 18

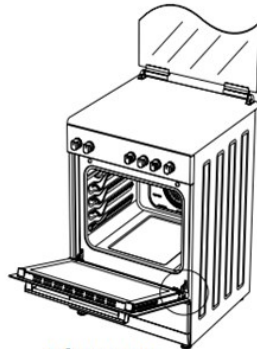


Зображення 19

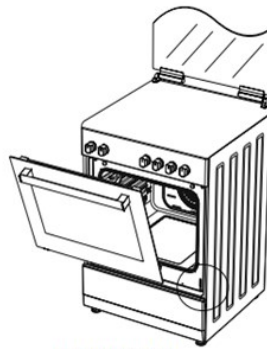


Зображення 20

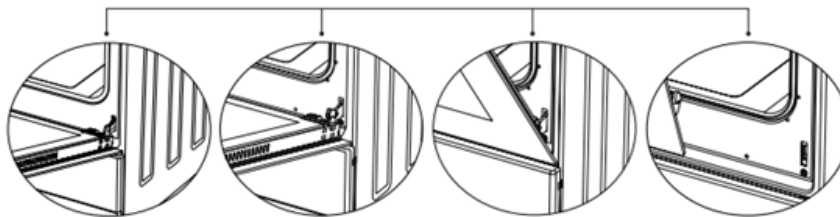
### Встановлення двері духовки



Зображення 21



Зображення 22



Зображення 21.1

Зображення 21.2

Зображення 22.1

Зображення 22.2

Щоб повністю відкрити дверцята духовки, потягніть її на себе. Потім розблокуйте петлю, потягнувши вгору за фіксатор петлі за допомогою викрутки, як показано на зображенні **21.1**.

Повністю відкрийте фіксатор петель, як показано на зображенні **21.2**. Встановіть обидві петлі дверцят духовки в однакове положення.

Потім закрийте дверцята духовки до положення, коли вона торкнеться фіксатора петель, як показано на зображенні **22.1**.

Для того, щоб зняти двері духовки, візьміть її обома руками і підняти вгору, коли вона буде близька до закритого положення, як це показано на зображенні **22.2**.

**Для того, щоб встановити двері духовки на місце, виконайте наведені вище кроки у зворотному порядку.**

### Чистка та підтримка в належному стані скла духової двері

Натисніть на пластикові фіксатори з лівого та правого боків, як це показано на зображенні 23, а потім дістаньте профіль, потягнувши його на себе, як це показано на зображенні 24.

Потім дістаньте внутрішнє скло, як це показано на зображенні 25.

## 8. УСУНЕННЯ ПРОБЛЕМ

Проблема	Можлива причина	Рішення
Духовка не працює	Газопостачання не доступне	Переконайтеся, що головний газовий кран відкритий
		Перевірте газову трубу, щоб переконатися, що вона не перегнута
		Переконайтеся, що газовий шланг підключений до духовки
		Переконайтеся, що використовується належний газовий кран
Двері духовки не відкриваються належним чином	Між двері та корпусом духовки залишаються рештки їжі	Ретельно вимийте духовку
Запалювання не працює	Трубки пальників засмічені	Очистити пальникові канали
Вода витікає на компоненти приладу	Вода або пара можуть утворюватися за певних умов, залежно від продуктів, що готуються. Це не вважається дефектом приладу	Дайте духовці охолонути, потім витирайте воду рушником для посуду
Пар виходить через двері		
Вода залишається в духовці		
Духовка не нагрівається	Двері духовки відкрито	Закрийте двері
	Регулятори духовки встановлені неправильно	Див. розділ про використання духовки
Під час роботи виходить дим	Використовуйте духовку в перший раз	Нагрівальні елементи виділяють дим. Це не вважається дефектом. Дим перестане виділятися після 2-3 робочих циклів
	На нагрівальних елементах знаходиться їжа	Дайте духовці охолонути та вимийте залишки їжі з нагрівального елемента
Під час роботи духовки відчувається запах горілого пластику	У духовці використовуються аксесуари з пластику або інших нетермостійких матеріалів	При високих температурах використовуйте відповідний скляний посуд
Духовка не готує належним чином	Двері духовки часто відчиняються під час готування	Якщо немає необхідності перемішувати їжу, яку ви готуєте, не відчиняйте двері духовки часто. Якщо ви часто відчиняєте двері, температура всередині духовки зменшується, що може вплинути на результат готування.



## Заміна лампи духової шафи

**ПОПЕРЕДЖЕННЯ:** Щоб уникнути ураження електричним струмом, перед заміною лампи переконайтеся, що ланцюг приладу розімкнутий. (розімкнутий ланцюг означає, що живлення вимкнено)

Спочатку відключіть живлення приладу і переконайтеся, що прилад холодний.

Зніміть захисне скло, повернувши його, як показано на малюнку. Якщо у вас виникають труднощі при повороті, то використання пластикових рукавичок допоможе вам у повороті.

Потім вийміть лампу, повернувши її, і встановіть нову лампу з тими самими характеристиками.

Встановіть на місце захист скла, підключіть кабель живлення приладу до електричної розетки і завершіть заміну. Тепер ви можете користуватися духовкою.



### ПРАВИЛА ЩОДО МАНЕВРУВАННЯ

1. Для транспортування або переміщення приладу не використовуйте його двері та/або ручку.
2. Здійснюйте переміщення та транспортування в оригінальній упаковці.
3. Під час завантаження/розвантаження та маневрування приладу приділяйте йому повну увагу.
4. Переконайтеся, що упаковка щільно закрита під час маневрування та транспортування.
5. Захищайте упаковку від впливу зовнішніх факторів (вологи, води тощо), які можуть її пошкодити.
6. Слідкуйте за тим, щоб не пошкодити прилад під час маневрування та транспортування, а також не розбити, деформувати та не пошкодити його під час використання.

### РЕКОМЕНДАЦІЇ ЩОДО ЕКОНОМІЇ ЕНЕРГІЇ

Наведена нижче інформація дозволить вам використовувати прилад екологічно чистим та економним способом.

1. Використовуйте темний емальований посуд так як він краще проводить тепло в духовці.
2. Якщо в рецепті або інструкції з експлуатації вказано, що необхідний попередній розігрів - розігрійте духовку.
3. Не відчиняйте двері духовки часто під час готування.
4. Намагайтеся не готувати в духовці більше однієї страви одночасно. Готувати одночасно можете, якщо поставите дві посудини на решітку.
5. Готуйте кілька страв підряд. Духовка не буде втрачати тепло.
6. Вимкніть духовку за кілька хвилин до закінчення часу приготування. При цьому не відчиняйте дверцята духовки.
7. Перед приготуванням розморозьте заморожені продукти.

**Екологічно чиста утилізація**

Ви можете допомогти захистити навколишнє середовище!

Будь ласка, пам'ятайте про дотримання місцевих правил: здавайте непрацююче електрообладнання у відповідні центри утилізації відходів.



**HEINNER** є зареєстрованою торговою маркою **Network One Distribution SRL**. Інші бренди та назви продуктів є товарними знаками або зареєстрованими товарними знаками відповідних власників.

Жодна частина специфікацій не може бути відтворена в будь-якій формі і будь-якими засобами або використана для створення будь-яких похідних, таких як переклад, трансформація або адаптація без дозволу NETWORK ONE DISTRIBUTION.

Авторське право © 2013 Network One Distribution. Всі права захищені.



Цей продукт відповідає нормам і стандартам Європейського Співтовариства



Імпортер: **Network One Distribution**

Вулиця Марселя Янку, 3-5, Бухарест, Румунія

Тел: +40 21 211 18 56, [www.heinner.com](http://www.heinner.com), [www.nod.ro](http://www.nod.ro)