

HEINNER

REFRIGERATOR

Model: HF-HS250E++



www.heinner.ro

- Refrigerator
- Energy class: E
- Total capacity: 242 L

Thank you for choosing this product!

I. INTRODUCTION

Please read the instructions carefully and keep the manual for future information.

This manual is designed to give all necessary instructions concerning installation, use and maintenance of the unit. In order to operate the unit correctly and safely, please read this instruction manual carefully before installation and use.

II. YOUR PACKAGE CONTAINS



- Refrigerator
- User manual
- Certificate of warranty

III. SAFETY INFORMATION

For your safety and correct usage, before installing and first using the appliance, read this user manual carefully, including its hints and warnings. To avoid unnecessary mistakes and accidents, it is important to make sure that all people using the appliance are thoroughly familiar with its operation and safety features. Save these instructions and be sure that they remain with the appliance if it is moved or sold, so that anyone using it throughout its life, will be properly informed on its usage and safety notices.

For the safety of life and property, keep the precautions of these user's instructions as the manufacturer is not responsible for damages caused by omission.

Safety for children and others who are vulnerable people

- According to EN standard: This appliance can be used by children aged from 8 years and above and persons with reduced physical, sensory or mental capabilities or lack of experience and knowledge if they have been given supervision or instruction concerning use of the appliance in a safe way and understand the hazards involved. Children shall not play with the appliance. Cleaning and user maintenance shall not be made by children without supervision.
- Children aged from 3 to 8 years are allowed to load and unload refrigerating appliances.
- According to IEC standard: This appliance is not intended for use by persons (including children) with reduced physical, sensory or mental capabilities, or lack of experience and knowledge, unless they have been given supervision or instruction concerning use of the appliance by a person responsible for their safety.
- Children should be supervised to ensure that they do not play with the appliance.
- Keep all packaging away from children as there is risk of suffocation.
- If you are discarding the appliance, pull the plug out of the socket, cut the connection cable (as close to the appliance as you can) and remove the door to prevent children playing from suffering an electric shock or from closing themselves inside it.
- If this appliance, featuring a magnetic door seals, is to replace an older appliance having a spring lock (latch) on the door or lid, be sure to make the spring lock unusable before you discard the old appliance. This will prevent it from becoming a death trap for a child.

General safety

WARNING! This appliance is intended to be used in household and similar applications such as:

- staff kitchen areas in shops, offices and other working environments;
- farmhouses and by clients in hotels, motels and other residential type environments;
- bed and breakfast type environments;
- catering and similar non-retail applications;

WARNING! Do not store explosive substances such as aerosol cans with a flammable propellant in this appliance.

WARNING! If the supply cord is damaged, it must be replaced by the manufacturer, its service agent or similarly qualified persons in order to avoid a hazard.

WARNING! Keep ventilation openings, in the appliance enclosure or in the built-in structure, clear of obstruction.

WARNING! Do not use mechanical devices or other means to accelerate the defrosting process, other than those recommended by the manufacturer.

WARNING! Do not damage the refrigerant circuit.


WARNING! Do not use electrical appliances inside the food storage compartments of the appliance, unless they are of the type recommended by the manufacturer.

WARNING! The refrigerant and insulation blowing gas are flammable. When disposing of the appliance, do so only at an authorized waste disposal centre. Do not expose to flame.

WARNING! When positioning the appliance, ensure the supply cord is not trapped or damaged.

WARNING! Do not locate multiple portable socket-outlets or portable power supplies at the rear of the appliance.

WARNING! Food needs to be packed in bags before putting into the refrigerator, and liquids need to be packed in bottles or capped containers to avoid the problem that the product design structure is not easy to clean.

The symbol  is a warning and indicates the refrigerant and insulation blowing gas are flammable.



WARNING! Risk of fire

If the refrigerant circuit should be damaged:

- Avoid opening flames and sources of ignition.
- Thoroughly ventilate the room in which the appliance is situated.

Replacing the illuminating lamps

WARNING - The illuminating lamps must not be replaced by the user! If the illuminating lamps is damaged, contact the customer helpline for assistance. This warning is only for refrigerators that contain illuminating lamps.

Refrigerant

The refrigerant isobutene (R600a) is contained within the refrigerant circuit of the appliance, a natural gas with a high level of environmental compatibility, which is nevertheless flammable. During transportation and installation of the appliance, ensure that none of the components of the refrigerant circuit becomes damaged. The refrigerant (R600a) is flammable.

WARNING! Refrigerators contain refrigerant and gases in the insulation. Refrigerant and gases must be disposed of professionally as they may cause eye injuries or ignition. Ensure that tubing of the refrigerant circuit is not damaged prior to proper disposal.

If the refrigerant circuit should be damaged:

- Avoid opening flames and sources of ignition.
- Thoroughly ventilate the room in which the appliance is situated.

It is dangerous to alter the specifications or modify this product in any way.

Any damage to the cord may cause a short circuit, fire, and/or electric shock.

Electrical safety

1. The power cord must not be lengthened.
2. Make sure that the power plug is not crushed or damaged. A crushed or damaged power plug may overheat and cause a fire.
3. Make sure that you can access the main plug of the appliance.
4. Do not pull the main cable.
5. If the power plug socket is loose, do not insert the power plug. There is a risk of electric shock or fire.
6. You must not operate the appliance without the interior lighting lamp cover.
7. The fridge is only applied with power supply of single-phase alternating current of 220~240V/50Hz. If fluctuation of voltage in the district of user is so large that the voltage exceeds the above scope, for safety sake, be sure to apply an A.C. Automatic voltage regulator of more than 350 W to the fridge. The fridge must employ a special power socket instead of common one with other electric appliances. Its plug must match the socket with ground wire.

IV. DAILY USE

- Do not store flammable gases or liquids in the appliance. There is a risk of an explosion.
- Do not operate any electrical appliances in the appliance (e.g. electric ice cream makers, mixers etc.).
- When unplugging always pull the plug from the mains socket. do not pull on the cable.
- Do not place hot items near the plastic components of this appliance.
- Do not place food products directly against the air outlet on the rear wall.
- Store pre-packed frozen food in accordance with the frozen food manufacturer's instructions.
- The appliances manufacturer's storage recommendations should be strictly adhered to. Refer to relevant instructions for storage.
- Do not place carbonated or fizzy drinks in the freezer compartment as it creates pressure on the container, which may cause it to explode, resulting in damage to the appliance.
- Frozen food can cause frost burns if consumed straight from the freezer compartment.
- Do not place the appliance in direct sunlight.
- Keep burning candles lamps and other items with naked flames away from the appliance so that do not set the appliance on fire.
- The appliance is intended for keeping food stuff and/or beverages in normal household as explained in this instruction booklet. The appliance is heavy. Care should be taken when moving it.
- Do not remove nor touch items from the freezer compartment if your hands are damp/wet, as this could cause skin abrasions or frost/freezer burns.
- Never use the base drawers, doors etc. to stand on or as supports.
- Frozen food must not be refrozen once it has been thawed out.
- Do not consume ice popsicles or ice cubes straight from the freezer as this can cause freezer burn to the mouth and lips.
- To avoid items falling and causing injury or damage to the appliance, do not overload the door racks or put too much food in the crisper drawers.
- This refrigerating appliance is not intended to be used as a built-in appliance.
- This refrigerating appliance is not suitable for freezing foodstuffs.

V. CLEANING AND MAINTENANCE

- Before maintenance, switch off the appliance and disconnect the mains plug from the mains socket.
- Do not clean the appliance with metal objects, steam cleaner, ethereal oils, organic solvents or abrasive cleansers.
- Do not use sharp objects to remove frost from the appliance. Use a plastic scraper.

VI. INSTALLATION

- For electrical connection carefully, follow the instructions given in this manual.
- Unpack the appliance and check if there are damages on it.
- Do not connect the appliance if it is damaged. Report possible damages immediately to the place you bought it. In this case retain packing.
- It is advisable to wait at least four hours before connecting the appliance to allow the oil to flow back in the compressor.
- Adequate air circulation should be around the appliance, lacking this leads to overheating. To achieve enough ventilation, follow the instructions relevant to installation.
- Wherever possible the back of the product should not be too close to a wall to avoid touching or catching warm parts (compressor, condenser) to prevent the risk of a fire, follow the instructions relevant to installation.
- The appliance must not be located close to radiators or cookers.
- Make sure that the mains plug is accessible after the installation of the appliance.

VII. SERVICE AND ENERGY SAVING

Service

- Any electrical work required to do the servicing of the appliance should be carried out by qualified electrician or competent person.
- This product must be serviced by an authorized Service Center, and only genuine spare parts must be used.

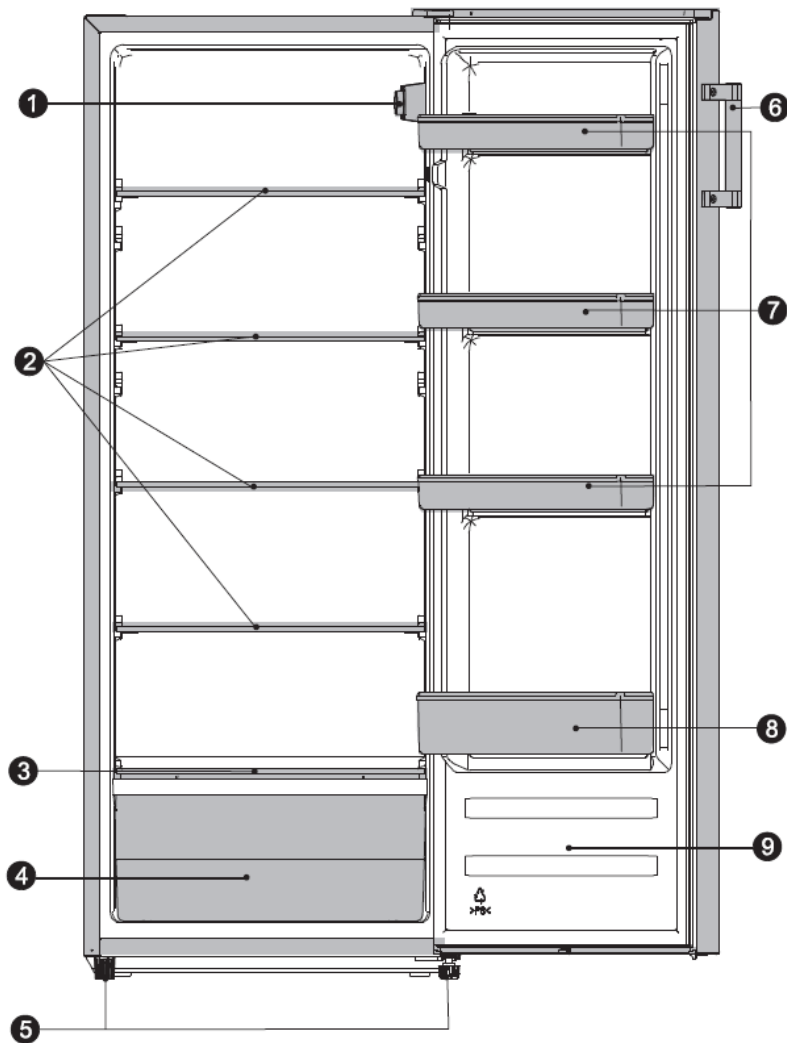
If the appliance is No Frost.

If the appliance contains freezer compartment.

Energy Saving tips

- Do not install the appliance near cookers, radiators or other sources of warmth.
- Do not open the door too often or leave the door open any longer than necessary. Do not set temperature colder than necessary.
- Make sure the side plates and back plate of the appliance are with some distance from the wall, follow the instructions relevant to installation.
- If sketch map shows the right combination of the drawers, crisper and shelves, do not adjust the combination, it would result in more energy consuming.

VIII. PRODUCT DESCRIPTION



1. Controller box and LED light	6. Handles
2. Refrigerator Shelf	7. Upper door shelf
3. Vegetable drawer cover	8. Lower door shelf
4. Vegetable drawer	9. Refrigerator door
5. Adjustable bottom feet	

Note:

- Due to unceasing modification of our products, your refrigerator may be slightly different from this instruction manual, but its functions and using methods remain the same.
- To get the best energy efficiency of this product, please place all shelves, drawers on their original position as the illustration above.

IX. INSTALLING

Cleaning before use

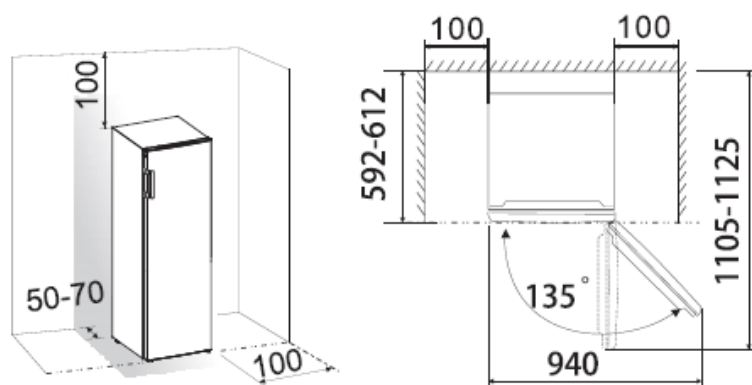
Before using the appliance for the first time, wash the interior and all internal accessories with lukewarm water and some neutral soap so as to remove the typical smell of a brand-new product, then dry thoroughly.

Important! Do not use detergents or abrasive powders, as these will damage the finish.

Ventilation of appliance

In order to improve efficiency of the cooling system and save energy, it is necessary to maintain good ventilation around the appliance. For this reason, sufficient clear space should be available around the refrigerator.

It is advisable for there to be 50-70 mm of space from the back to the wall, at least 100 mm from its top, at least 100 mm from its side to the wall and a clear space in front to allow the doors to open 135°. Please see the following diagrams.



Note: This appliance performs well within the climate class from N to ST showed in the table below. It may not work properly if left at a temperature above or below the indicated range for a long period.

Climate class	Ambient temperature
SN	+10 °C to +32 °C
N	+16 °C to +32 °C
ST	+16 °C to +38 °C
T	+16 °C to +43 °C

Stand your appliance in a dry place to avoid moisture damage.

Keep the appliance out of direct sunlight, rain or frost. Stand the appliance away from heat sources such as stoves, fires or heaters.

Leveling of appliance

For sufficient leveling and air circulating in the lower rear section of the appliance, the bottom feet may need to be adjusted.

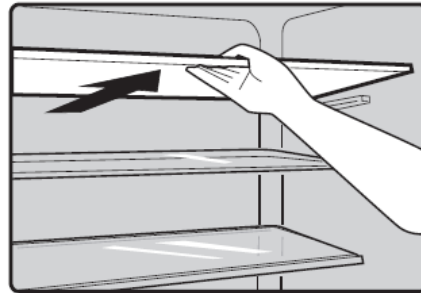
You can adjust them manually using a suitable spanner. To allow the doors to self-close, tilt the top backwards by about 10 mm.

Accessories

Movable shelves/trays

Various glass, plastic storage shelves or wire trays are included with your appliance - different models have different combinations and different models have different features.

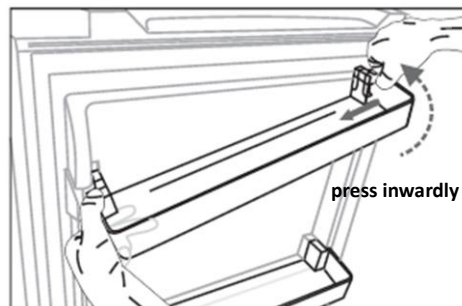
The walls of the refrigerator are equipped with a series of runners so that the shelves can be positioned as desired.



Remove and install the door shelf

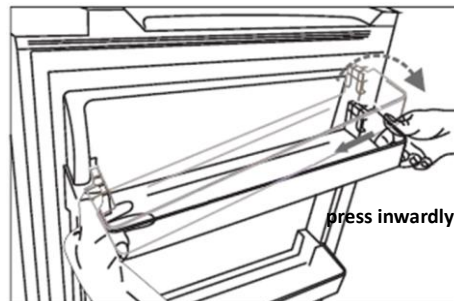
Warning: The door shelf must not be removed and installed by the user! If the door shelf is damaged, contact the customer helpline for assistance. To replace the door shelf, the below steps can be followed:

Remove the door shelf



Press the right side of the door shelf inwardly, while holding the left side. When the notch of the shelf has been detached from the refrigerator door, remove the rack obliquely upwardly.

Install the door shelf



Firstly, tilt the left side of the door shelf, and make sure the notch has been fastened to the door. Then press the right side inwardly, push it down to the right place.

Refrigerator compartment

For storing food that does not need to be frozen and different sections suitable for different kinds of food.

Vegetable drawer







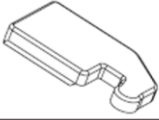
For storing fruit and vegetables.

Reversing the door

The side at which the door opens can be changed, from the right side (as supplied) to the left side, if required.

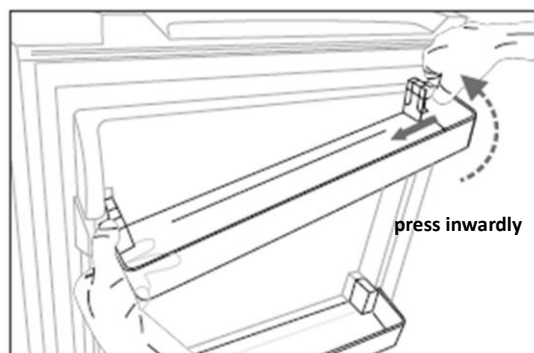
Warning! When reversing the door, the appliance must not be connected to the mains. Ensure that the plug is removed from the mains socket.

Tools you will need:

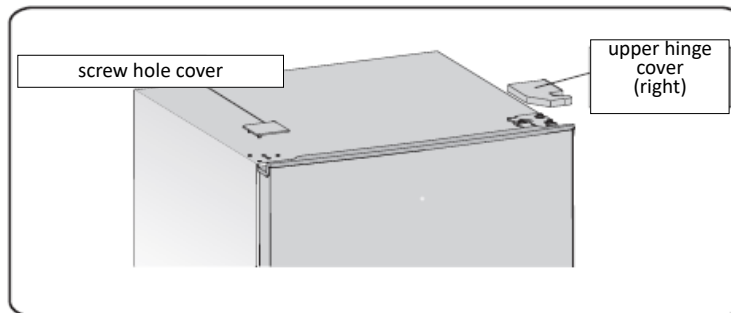
Not provided		
		
8 mm socket wrench	Thin-blade screwdriver	Putty knife
		
Cross-shaped screwdriver	Monkey wrench	8 mm wrench
Additional parts (in the plastic bag)		
		
Left hinge cover		

Note: If required you may lay the refrigerator on its back in order to gain access to the base, you should rest it on soft foam packaging or similar material to avoid damaging the backboard of the refrigerator. To reverse the door, the following steps are generally recommended.

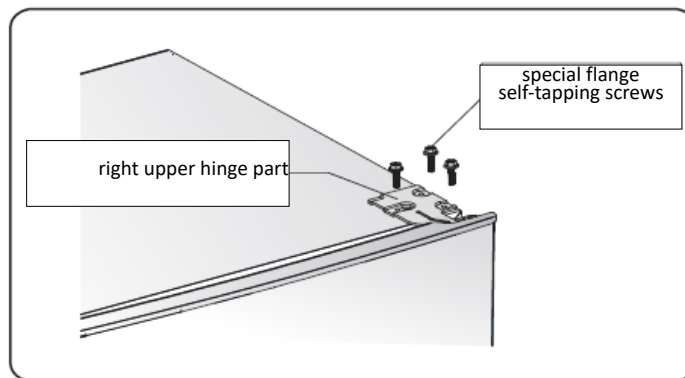
1. Stand the refrigerator upright. Open the upper door to take out all door racks (to avoid damage) and then close the door.



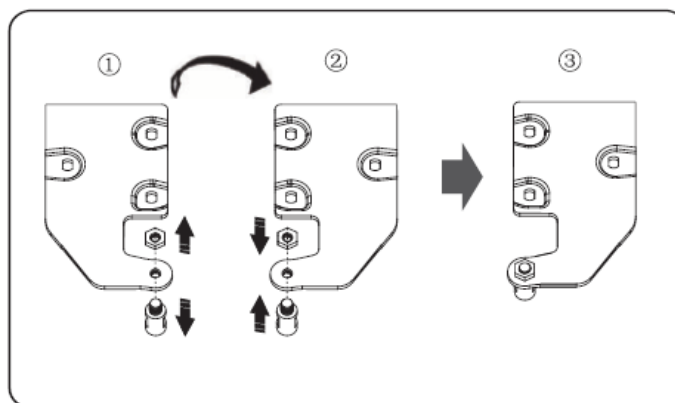
2. Use a putty knife or thin-blade screwdriver to prize the screw hole cover which is at the top left corner of the refrigerator and the upper hinge cover which is at the top right corner of the refrigerator.



3. Unscrew the special flange self-tapping screws which are used for fixing the right upper hinge part by an 8 mm socket driver or a spanner (please support the upper door with your hand when doing it).

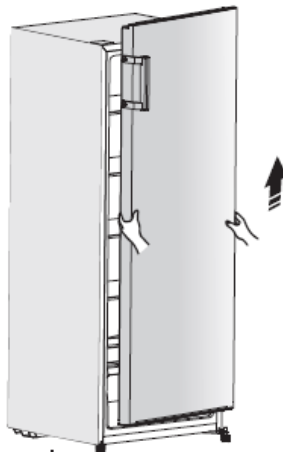


4. Remove the upper hinge axis, transfer it to reversed side and tighten securely, then put it in a safe place.

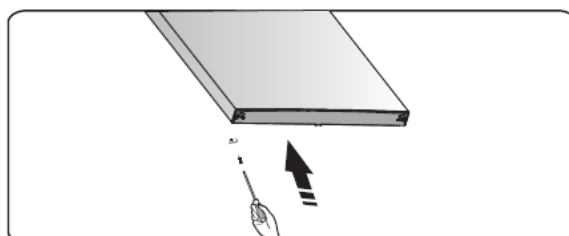
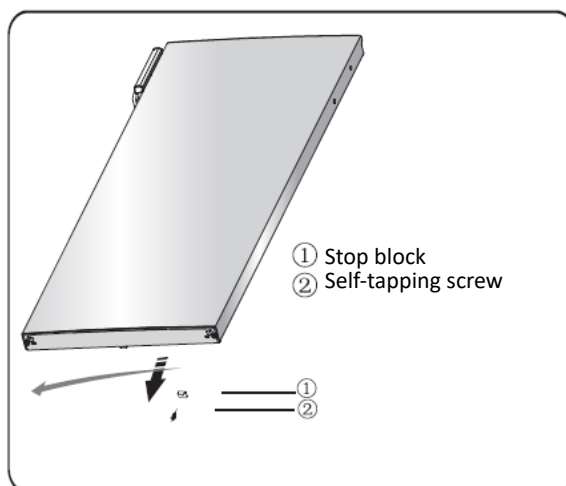


5. Remove the door from the lower hinge.

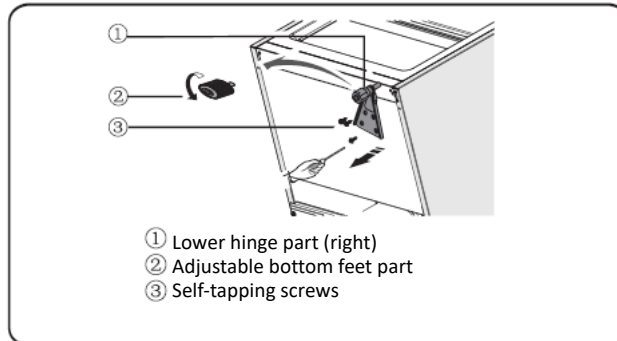
Note: When removing the door, watch for washer(s) between the lower hinge and the bottom of the lower door that may stick to the door. Do not lose.



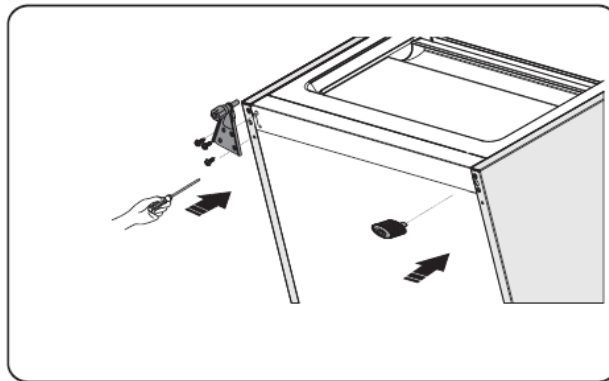
6. Place it on a smooth surface with its panel upwards. Loose screw (2) and part (1), then install them to the left side and tighten securely.



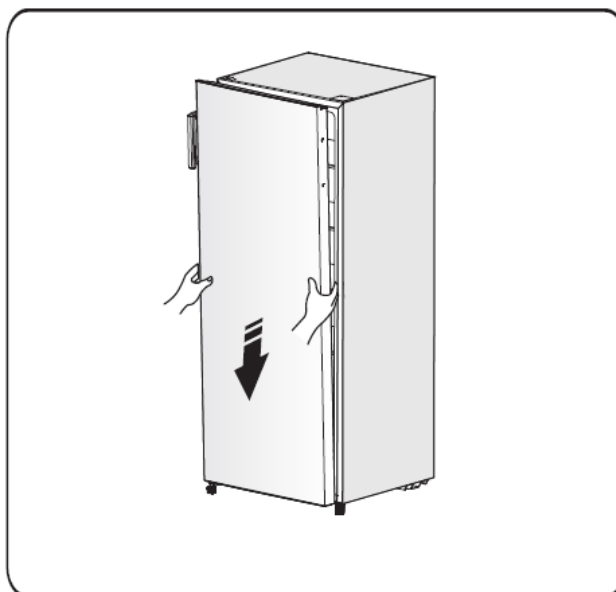
7. Lay the refrigerator on soft foam packaging or similar material. Remove both adjustable bottom feet parts, and the lower hinge part by unscrewing the special flange self-tapping screws.



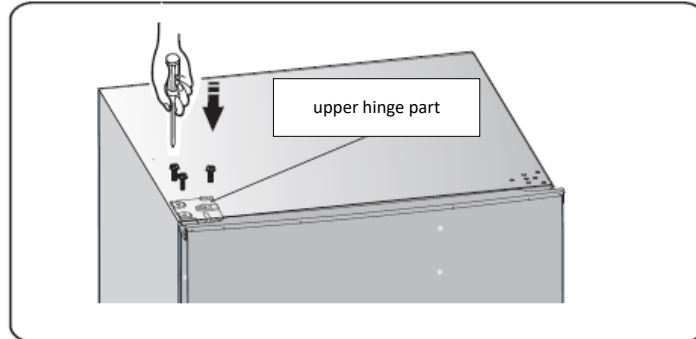
8. Replace the lower hinge part to the left side and fixing it with the special flange self-tapping screws. Replace the adjustable bottom feet parts to another side and fixing it.



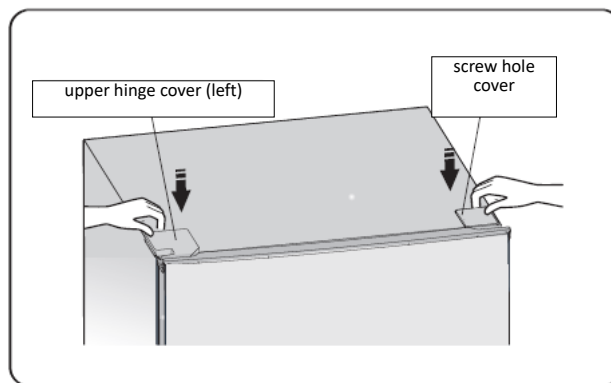
9. Transfer the door to the property position, adjust the lower hinge part, make the hinge axis into the lower hole of the door.



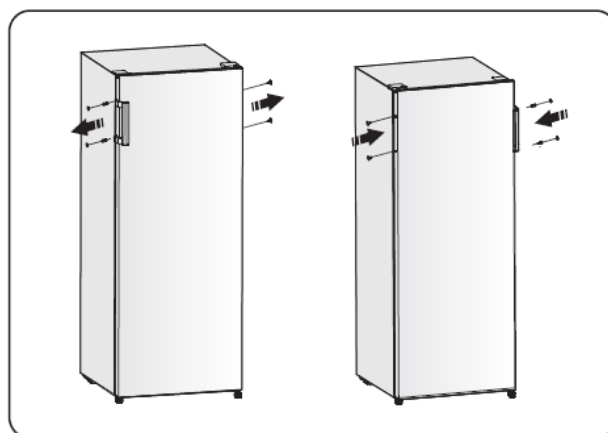
10. Transfer the upper hinge part and make the upper hinge axis into the upper hole of the door and adjust the position of the door (please support the door with your hand when doing it), fixing the upper hinge part with the special flange self-tapping screws.



11. Install the screw hole cover on the top right corner of the refrigerator. Install the upper hinge cover (which is in the plastic bag) on the left corner. Put the other upper hinge cover into the plastic bag.



12. Move the handle from the left side of door to the right side.



13. Open the door and install the door shelves, then close it.

Warning! When changing the side at which the door opens, the appliance must not be connected to the mains. Remove plug from the mains beforehand.

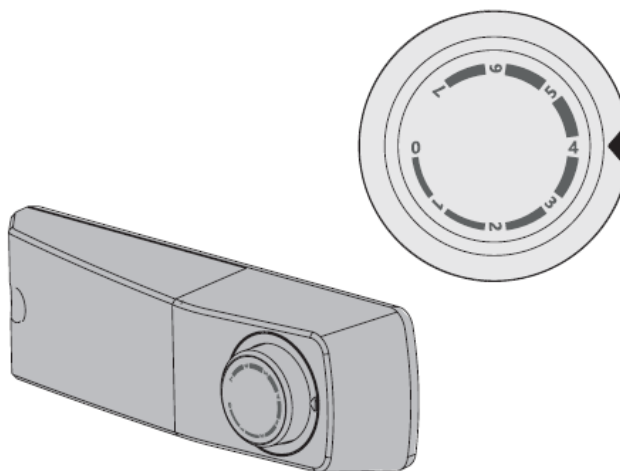
X. TEMPERATURE SETTING

Starting up and temperature regulation

Insert the plug of the connection lead into the plug socket with protective earth contact. When the refrigerator compartment door is opened, the internal lighting is switched on. After the fridge has been placed in position, wait for 5 minutes before electricity is supplied. Don't store anything until the temperature inside the fridge becomes low enough.

The temperature selector knob is located on the side of the freezer compartment.

For optimum food preservation, a medium setting is generally the most suitable.



Setting 0 means:

Off.

Clockwise rotate the knob to turn on the appliance.

Setting 1 means:

Highest temperature, warmest setting.

Setting 7 (end-stop) means:

Lowest temperature, coldest setting.

Important! Normally we advise you select setting of 2 or 3 or 4, if you want the temperature higher or colder please turn the knob to warmer or colder setting accordingly. When you turn the knob to colder which can lead to the more energy efficiency. Otherwise, it would result in more energy consuming.

Important! High ambient temperatures (e.g. on hot summer days) and a cold setting (position 6 to 7) may cause the compressor to run continuously or even non-stop! The product cannot be used for a long time in this condition.

Reason: when the ambient temperature is high, the compressor must run continuously to maintain the low temperature in the appliance.

Note: High temperature setting will accelerate food waste.

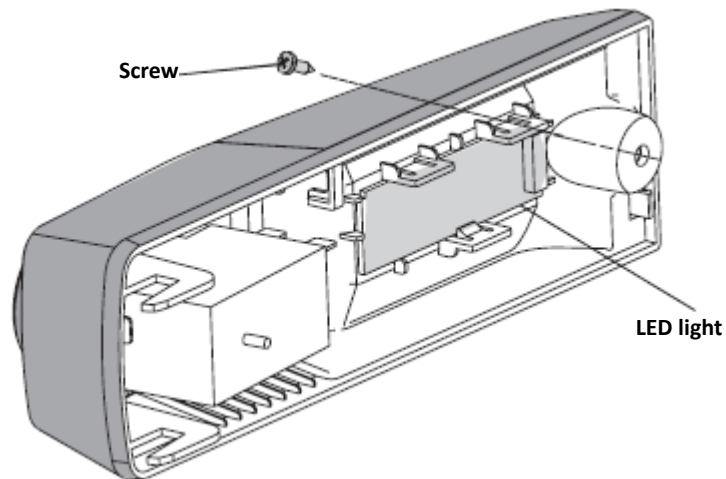
Changing the LED light



Warning! If the LED light is damaged. Do not change it by the user.

Changing the LED light carry out by inexperienced persons may cause injury or serious malfunctioning. It must be replaced by qualified persons in order to avoid a hazard.

- Before changing the LED light, switch off the appliance and unplug it, or pull the fuse or the circuit breaker.
- LED light data: 220-240V, MAX 2W.
- Unplug the mains plug.
- To change the LED light, undo the screw.
- Changing the defective LED light.
- Put the refrigerator back into operation.



XI. HELPFUL HINTS AND TIPS

Noises during Operation

The following noises are characteristic of refrigeration appliances:

Clicks: Whenever the compressor switches on or off, a click can be heard.

Humming: As soon as the compressor is in operation, you can hear it humming.

Bubbling: When refrigerant flows into thin tubes, you can hear bubbling or splashing noises.

Splashing: Even after the compressor has been switched off, this noise can be heard for a short time.

Hints for fresh food refrigeration

To obtain the best performances:

- Do not store warm foods or evaporating liquids in the appliance.
- Do cover or wrap the food, particularly if it has a strong flavor.
- Position food so that air can circulate freely around.

Hints for refrigeration

- Meat (all types): wrap in polythene bags and place on the glass shelf above the vegetable drawer. For safety, store in this way only one or two days at the most.
- Cooked foods, cold dishes, etc.: these should be covered and may be placed on any shelf. Fruit and vegetables: these should be thoroughly cleaned and placed in the special draw(s) provided.
- Butter and cheese: these should be placed in aluminum foil or polythene bags to exclude as much air as possible.
- Milk bottles: these should have a cap and should be stored in the bottle rack on the door.

To avoid contamination of food, please respect the following instructions:

- Opening the door for long periods can cause a significant increase of the temperature in the compartments of the appliance.
- Clean regularly surfaces that can come in contact with food and accessible drainage systems.
- Store raw meat and fish in suitable containers in the refrigerator, so that it is not in contact with or drip onto other food.

Note: Please store different foods according to the compartments or target storage temperature of your purchased products.

If the appliance is left empty for long periods, switch off, defrost, clean, dry, and leave the door open to prevent mold developing within the appliance.

WARNING! Food needs to be packed in bags before putting into the refrigerator, and liquids need to be packed in bottles or capped containers.

Order	Compartments TYPE	Target storage temp. [°C]	Appropriate food
1	Fridge	+2≤+6	Eggs, cooked food, packaged food, fruits and vegetables, dairy products, cakes, drinks and other foods are not suitable for freezing.
2	Fresh Food	0≤+4	Fresh pork, beef, fish, chicken, cooked food, etc. (Recommended to eat within the same day, preferably no more than 3 days).
3	Wine	+5≤+20	Red wine, white wine, sparkling wine, etc.

XII. CLEANING AND DEFROSTING THE FREEZER

For hygienic reasons the appliance (including interior accessories) should be cleaned regularly (at least every two months).



Warning! Danger of electrical shock!

- The appliance should not be connected to the mains during cleaning. Before cleaning, switch the appliance off and remove the plug from the mains, or switch off or turn out the circuit breaker or fuse.

Important!

- Remove the food from the appliance before cleaning. Store them in a cool place, well covered.
- Never clean the appliance with a steam cleaner. Moisture could accumulate in electrical components.
- Hot vapors can lead to the damage of plastic parts.
- Ethereal oils and organic solvents can attack plastic parts, e.g. lemon juice or the juice from orange peel, butyric acid, cleanser that contain acetic acid. Do not allow such substances to come into contact with appliance parts.
- Do not use any abrasive cleansers.
- Clean the appliance and the interior accessories with a cloth and lukewarm water. Commercially available dish washing detergents may also be used.
- After cleaning wipe with fresh water and clean dish cloth.
- Accumulation of dust at the condenser increases energy consumption, clean the condenser at the back of the appliance once a year with a soft brush or a vacuum cleaner.
- Check the water drain hole on the rear wall of the refrigerator compartment.
- Clear a blocked drain hole with the aid of something like soft green peg, be careful not to make any damage to the cabinet by sharp things.
- After everything is dry place appliance back into service.

Defrosting

Why defrosting

- Water contained in food or air getting into inside while the fridge be opening doors may form a frost layer inside. It will weaken the refrigeration when the frost is thick. While it is more than 10 mm thick, you should defrost.

Defrosting in fresh food storage compartment

- It is automatically controlled by switching the temperature regulator on or off so that there is no need of operation of defrosting. Water from defrosting will be drained into an drip tray through a drain pipe at the back of the fridge automatically.

Go out of use for a long time

- Remove all refrigerated packages.
- Switch off the appliance by turning the temperature regulator to position "0".
- Remove the mains plug or switch off or disconnect the electricity supply.
- Clean thoroughly (see section: Cleaning and Care).
- Leave the door open to avoid the buildup of odors.

Note: If the appliance contains freezer compartment.

XIII. TROUBLESHOOTING

Warning! Before trouble shooting, disconnect the power supply. Only a qualified electrician must carry out the trouble shooting that is not in the manual.

Important! There are some sounds during normal use (compressor, refrigerant circulation).

Important! Repairs to refrigerators may only be performed by competent service engineers. Improper repairs can give rise to significant hazards for the user. If your appliance needs repairing, please contact your specialist dealer or your local Service Center.

Problem	Possible cause	Solution
Appliance does not work.	Appliance is not switched on.	Switch on the appliance.
	Mains plug is not plugged in or is loose.	Insert mains plug.
	Fuse has blown or is defective.	Check fuse, replace if necessary.
	Socket is defective.	Mains malfunctions are to be corrected by an electrician.
Appliance cools too much.	Temperature is set too cold.	Turn the temperature regulator to a warmer setting temporarily.
The food is too warm.	Temperature is not properly adjusted.	Please look in the "Temperature setting" section.
	Door was open for an extended period.	Open the door only as long as necessary.
	A large quantity of warm food was placed in the appliance within the last 24 hours.	Turn the temperature regulation to a colder setting temporarily.
	The appliance is near a heat source.	Please look in the "Installation location" section.
Interior lighting does not work.	Light bulb is defective.	Please look in the "Changing the Light Bulb" section.
Heavy build-up of frost, possibly also on the door seal.	Door seal is not air-tight (possibly after reversing the door).	Carefully warm the leaking sections of the door seal with a hair dryer (on a cool setting). At the same time shape the warmed door seal by hand such that it sits correctly.
Unusual noises.	Appliance is not level.	Readjust the feet.
	The appliance is touching the wall or other objects.	Move the appliance slightly.
	A component, e.g. a pipe, on the rear of the appliance is touching another part of the appliance or the wall.	If necessary, carefully bend the component out of the way.
The compressor does not start immediately after changing the temperature setting.	This is normal, no error has occurred.	The compressor starts after a period of time.
Water on the floor or storage shelves.	Water drain hole is blocked.	See the "cleaning and care" section.

CUSTOMER CARE AND SERVICE

Always use original spare parts.

When contacting our Authorised Service Centre, ensure that you have the following data available: Model and Serial Number.

The information can be found on the rating plate. Subject to change without notice.

TECHNICAL DATA

The technical information is situated in the rating plate on the internal side of the appliance and on the energy label.

The QR code on the energy label supplied with the appliance provides a web link to the information related to the performance of the appliance in the EU EPREL database.

Keep the energy label for reference together with the user manual and all other documents provided with this appliance.

It is also possible to find the same information in EPREL using the link <https://eprel.ec.europa.eu> and the model name and product number that you find on the rating plate of the appliance.

To access information about your product in the EPREL portal, you can scan the codes below:



Thank you for purchasing this product. If you need support with your product, visit our website using the links below.

Get User manuals: <https://www.heinner.ro>

Get Service information: <https://www.heinner.ro>



Environment friendly disposal

You can help protect the environment!

Please remember to respect the local regulations: hand in the non-working electrical equipment's to an appropriate waste disposal center.



HEINNER is a registered trademark of **Network One Distribution SRL**. Other brands and product names are trademarks or registered trademarks of their respective holders.

No part of the specifications may be reproduced in any form or by any means or used to make any derivative such as translation, transformation, or adaptation without permission from NETWORK ONE DISTRIBUTION.

Copyright © 2013 Network One Distribution. All rights reserved.

www.heinner.com, <http://www.nod.ro>

<http://www.heinner.com>, <http://www.nod.ro>



This product is in conformity with norms and standards of European Community.

Importer: **Network One Distribution**

Marcel Iancu, 3-5, Bucharest, Romania

Tel: +40 21 211 18 56, www.heinner.com, www.nod.ro

HEINNER

FRIGIDER

Model: HF-HS250E++



- Frigider
- Clasa de eficiență energetică: E
- Capacitate totală: 242 L

Vă mulțumim pentru alegerea acestui produs!

I. INTRODUCERE

Vă rugăm să citiți instrucțiunile cu atenție și să păstrați manualul pentru consultări ulterioare.

Acest manual are scopul de a vă oferi toate instrucțiunile necesare cu privire la instalarea, utilizarea și întreținerea aparatului. Pentru utilizarea corectă și în siguranță a aparatului, vă rugăm să citiți cu atenție acest manual de instrucțiuni înainte de instalare și utilizare.

II. CONȚINUTUL PACHETULUI DUMNEAVOASTRĂ



- **Frigider**
- **Manual de utilizare**
- **Certificat de garanție**

III. INFORMAȚII PRIVIND SIGURANȚA

Pentru siguranța dumneavoastră și o utilizare corectă, înainte de a instala și a folosi aparatul pentru prima dată, citiți cu atenție acest manual de instrucțiuni, inclusiv sugestiile și avertismentele. Pentru a evita erorile și accidentele, este important să vă asigurați că toate persoanele care utilizează aparatul sunt familiarizate cu modul de funcționare și cu măsurile de siguranță. Păstrați aceste instrucțiuni și asigurați-vă că vor rămâne împreună cu aparatul dacă acesta este mutat sau vândut, astfel încât orice persoană care îl folosește pe durata de exploatare a acestuia să fie bine informată în legătură cu utilizarea sa și cu măsurile de siguranță.

Pentru garantarea siguranței persoanelor și a bunurilor, respectați măsurile de precauție specificate în cadrul prezentului manual de instrucțiuni, deoarece producătorul nu este răspunzător pentru daunele cauzate prin omisiune.

Siguranța copiilor și a altor persoane vulnerabile

- Conform standardului EN: Aparatul poate fi utilizat de către copii cu vârste începând de la 8 ani și de către persoane cu capacități fizice, senzoriale sau mentale reduse, cu lipsă de experiență sau cunoștințe, numai dacă acestea sunt supravegheate sau instruite în ceea ce privește utilizarea în siguranță a aparatului și dacă înțeleg pericolele pe care le implică utilizarea. Copiii nu au voie să se joace cu aparatul. Curățarea și întreținerea nu trebuie efectuate de către copii nesupravegheați.
- Copiilor cu vârste începând de la 3 ani le este permis să introducă și să scoată alimente din aparatele frigorifice.
- Conform standardului IEC: Aparatul nu este destinat utilizării de către persoane (inclusiv copii) care au capacități fizice, senzoriale sau mentale reduse, sau cărora le lipsesc experiența și cunoștințele necesare, decât dacă sunt supravegheate sau au fost instruite cu privire la utilizarea aparatului de către o persoană care răspunde pentru siguranța acestora.
- Copiii trebuie supravegheați, astfel încât aceștia să nu se joace cu aparatul.
- Nu lăsați ambalajele la îndemâna copiilor. Pericol de asfixiere.
- Pentru a evita situațiile în care copiii se pot electrocuta sau închide în interiorul aparatului, înainte de a-l arunca, scoateți ștecărul din priză, tăiați cablul de alimentare (cât mai aproape de aparat posibil) și demontați ușa aparatului.
- Dacă acest aparat (care este prevăzut cu un sistem de închidere magnetic) înlocuiește un aparat mai vechi, prevăzut cu închizătoare cu arc (zăvor) pe ușă sau pe capac, înainte de a arunca aparatul vechi, asigurați-vă că închizătoarea cu arc nu mai poate fi folosită. Astfel, copiii nu vor putea rămâne blocați înăuntru.

Măsuri generale de siguranță

AVERTISMENT! Acest aparat este destinat utilizării în locuințe și alte unități similare:

- bucătăriile personalului din magazine, birouri și alte medii de lucru;
- în gospodării și de către clienții din hoteluri, moteluri și alte medii de tip rezidențial;
- medii de tipul pensiune cu mic dejun;
- activități de tip catering și non-retail.

AVERTISMENT! Nu depozitați în acest aparat produse explozive precum spray-urile cu aerosoli inflamabili.

AVERTISMENT! Pentru evitarea pericolelor, în cazul în care cablul de alimentare este deteriorat, acesta trebuie înlocuit de către producător, de către agentul său de service sau de persoane cu o calificare similară.

AVERTISMENT! Asigurați-vă că gurile de ventilație ale carcasei aparatului sau ale corpului acestuia nu sunt obturate.

AVERTISMENT! Utilizați numai dispozitive mecanice sau mijloace de grăbire a procesului de dezghețare recomandate de către producător.

AVERTISMENT! Nu deteriorați circuitul de refrigerare.


AVERTISMENT! Nu folosiți aparate electrice în interiorul compartimentelor de depozitare a alimentelor din acest aparat, decât dacă acestea sunt de tipul celor recomandate de către producător.

AVERTISMENT! Agentul frigorific și gazul izolant sunt inflamabile. Dacă doriți să aruncați aparatul, apelați la un centru autorizat de eliminare a deșeurilor. Nu expuneți aparatul la foc.

AVERTISMENT! Atunci când poziționați aparatul, asigurați-vă că nu striviți și nu deteriorați cablul de alimentare.

AVERTISMENT! Nu amplasați în spatele aparatului prize multiple sau surse de alimentare portabile.

AVERTISMENT! Ambalați alimentele în pungi și puneți lichidele în sticle sau recipiente acoperite înainte de a le introduce în frigider, pentru a evita murdărirea componentelor interioare ale aparatului.

Simbolul  avertizează cu privire la faptul că agentul frigorific și gazul izolant sunt inflamabile.

 **AVERTISMENT! Pericol de incendiu!**

În cazul în care circuitul de refrigerare este deteriorat:

- Evitați utilizarea focului deschis și sursele de aprindere a focului.
- Aerișiți bine camera în care se află aparatul.

Înlocuirea becurilor

AVERTISMENT - Becurile nu trebuie înlocuite de către utilizator! Dacă becurile se defectează, apălați la asistență specializată. Acest avertisment este valabil numai pentru frigiderele prevăzute cu lămpi de iluminare.

Agentul frigorific

Circuitul de refrigerare al aparatului conține agent frigorific R600a (izobutan), un gaz natural cu un nivel ridicat de compatibilitate cu mediul înconjurător, dar inflamabil. În timpul transportului și al montării aparatului, asigurați-vă că niciuna dintre componentele circuitului de refrigerare nu este deteriorată. Agentul frigorific (R600a) este inflamabil.

AVERTISMENT! Frigiderele conțin agent frigorific și gaze izolante. Agentul frigorific și gazele trebuie să fie eliminate în mod corespunzător, deoarece acestea pot provoca leziuni oculare sau se pot aprinde. Înainte de eliminare, asigurați-vă că tubulatura circuitului de refrigerare nu este deteriorată.

În cazul în care circuitul de refrigerare este deteriorat:

- Evitați utilizarea focului deschis și sursele de aprindere a focului.
- Aerișiți bine camera în care se află aparatul.

Modificarea în orice fel a specificațiilor sau a produsului este periculoasă.

Orice deteriorare a cablului de alimentare poate genera risc de scurtcircuitare, incendiu sau electrocutare.

Siguranța electrică

1. Nu prelungiți cablul de alimentare.
2. Asigurați-vă că ștecărul nu a fost strivit sau deteriorat. În cazul în care cablul de alimentare este strivit sau deteriorat, acesta se poate supraîncălzi și poate provoca un incendiu.
3. Asigurați-vă că aveți acces la ștecărul aparatului.
4. Nu trageți de cablul de alimentare.
5. Dacă priza în care trebuie introdus ștecărul este desprinsă, nu introduceți ștecărul în ea. Există riscul de electrocutare și de incendiu.
6. Nu utilizați aparatul fără capacul lămpii de iluminare din interior.
7. Aparatul nu poate fi alimentat decât de la un circuit electric alternativ monofazat, de 220-240V/50Hz. Dacă variațiile de tensiune din zona în care locuiește utilizatorul nu se încadrează în limitele domeniului de tensiune de mai sus, pentru siguranță, utilizați un regulator de tensiune automat AC cu o putere mai mare de 350 W. Aparatul trebuie alimentat de la o priză separată, nu de la o priză la care sunt conectate și alte aparate electrice. Ștecărul trebuie să fie compatibil cu priza cu împământare.

IV. UTILIZARE COTIDIANĂ

- Nu depozitați gaze sau lichide inflamabile în aparat. Există riscul producerii unei explozii.
- Nu utilizați dispozitive electrice în interiorul aparatului (ex.: aparate electrice de făcut înghețată, mixere etc.).
- Atunci când deconectați aparatul de la sursa de alimentare, scoateți ștecărul din priză fără a trage de cablu.
- Nu așezați obiecte fierbinți lângă componentele din plastic ale aparatului.
- Nu așezați alimente imediat lângă orificiul de evacuare a aerului situat pe peretele posterior din interiorul aparatului.
- Depozitați alimentele congelate preambalate în conformitate cu instrucțiunile producătorului alimentelor congelate.
- Respectați cu strictețe recomandările producătorului acestui aparat privind depozitarea. Consultați instrucțiunile referitoare la depozitare.
- Nu depozitați băuturi carbogazoase sau acidulate în congelator, deoarece se creează presiune asupra recipientelor, acestea putând exploda, având drept rezultat deteriorarea aparatului.
- Alimentele înghețate pot cauza degerături dacă sunt consumate direct din congelator.
- Nu expuneți aparatul la lumina directă a soarelui.
- Țineți lumânările aprinse, lămpile și alte obiecte cu flacără deschisă cât mai departe de aparat, astfel încât acesta să nu ia foc.
- Aparatul este destinat depozitării alimentelor și/sau băuturilor într-o gospodărie obișnuită, așa cum a este specificat în prezentul manual de instrucțiuni. Acest aparat este greu. Mutați-l cu grijă.
- Nu scoateți și nu atingeți obiecte din congelator dacă aveți mâinile umede/ude, deoarece vă puteți provoca leziuni ale pielii sau degerături.
- Nu folosiți niciodată baza, sertarele, ușile etc. pentru a vă urca pe ele sau ca suporturi.
- Nu congelați din nou alimentele care s-au dezghețat.
- Nu consumați înghețată sau cuburi de gheață direct din congelator, deoarece acestea pot provoca leziuni ale gurii și buzelor.
- Pentru a evita căderea obiectelor și provocarea vătămarilor corporale sau a deteriorării aparatului, nu supraîncărcați rafturile de pe ușă și nu puneți prea multe alimente în sertarul pentru legume și fructe.
- Acest aparat frigorific nu este destinat utilizării ca aparat încorporat;
- Acest aparat frigorific nu este potrivit pentru congelarea produselor alimentare

V. CURĂȚARE ȘI ÎNTREȚINERE

- Înainte de efectuarea operațiilor de întreținere, opriți aparatul și scoateți ștecărul din priză.
- Nu curățați aparatul cu obiecte din metal, aparate de curățat cu aburi, uleiuri eterice, solvenți organici sau substanțe abrazive.
- Nu folosiți obiecte ascuțite pentru a îndepărta gheața din aparat. Folosiți o racletă din plastic.

VI. INSTALARE

- Pentru conectarea aparatului la sursa de alimentare cu energie electrică, urmați cu atenție instrucțiunile din cadrul prezentului manual.
- Despachetați aparatul și verificați dacă este deteriorat.
- Dacă aparatul prezintă deteriorări, nu îl conectați la sursa de alimentare. Dacă aparatul este deteriorat, comunicați imediat acest lucru distribuitorului de la care l-ați cumpărat. În acest caz, păstrați ambalajul.
- Vă recomandăm să așteptați cel puțin patru ore înainte de a conecta aparatul la sursa de alimentare, pentru ca uleiul să aibă timp să revină în compresor.
- Aerul trebuie să poată circula liber în jurul aparatului. În lipsa circulației aerului, aparatul se poate supraîncălzi. Pentru a obține o ventilație adecvată, respectați instrucțiunile referitoare la montare.
- Partea din spate a produsului nu trebuie să fie prea aproape de perete, pentru a evita atingerea sau prinderea componentelor calde (compresor, condensator). Pentru prevenirea riscului de producere a unui incendiu, urmați instrucțiunile cu privire la instalare.
- Nu amplasați aparatul în apropierea radiatoarelor sau a aragazelor.
- Asigurați-vă că aveți acces la ștecăr după montarea aparatului.

VII. REPARAȚII ȘI ECONOMISIREA ENERGIEI

Reparații

- Lucrările electrice necesare în vederea reparării aparatului trebuie efectuate de către un electrician calificat sau de către personal specializat.
- Produsul trebuie reparat de către un centru de service autorizat, folosindu-se numai piese de schimb originale.

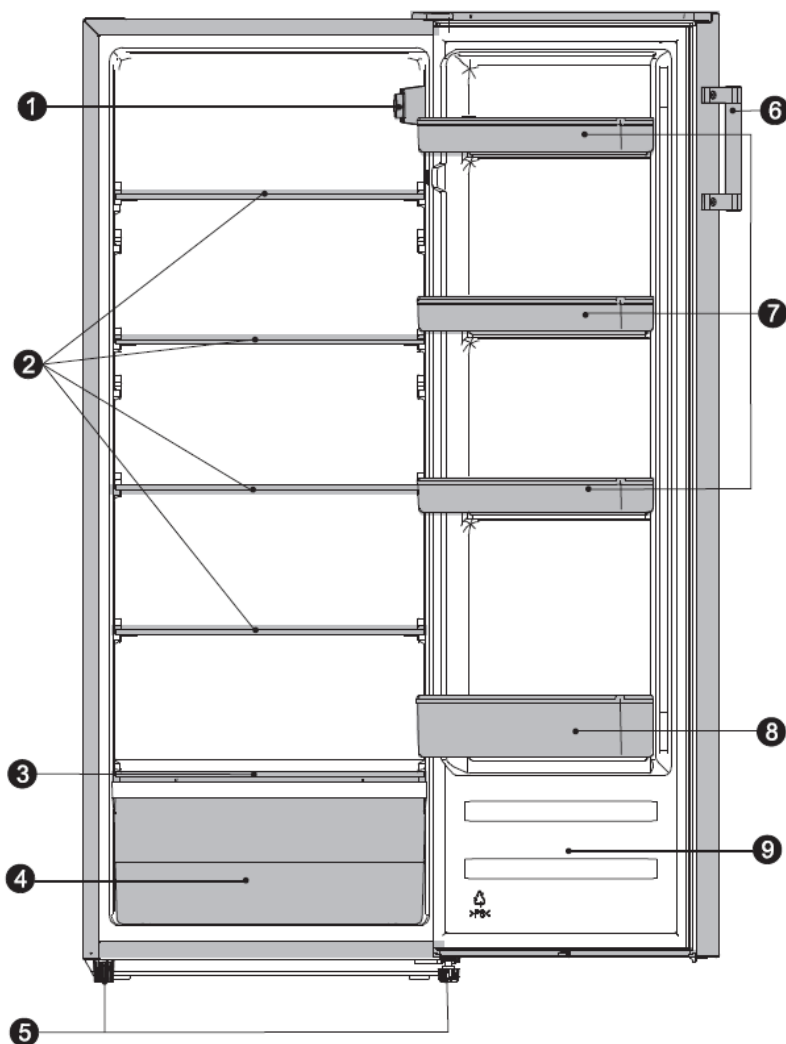
Dacă aparatul este prevăzut cu sistem „No Frost”.

Dacă aparatul este prevăzut cu un compartiment de congelare.

Sfaturi pentru economisirea energiei electrice

- Nu amplasați aparatul în apropierea aragazelor, radiatoarelor sau altor surse de căldură.
- Nu deschideți ușa prea des și nu o lăsați deschisă mai mult decât este necesar. Nu setați o temperatură mai redusă decât este necesar.
- Asigurați-vă că partea din spate și părțile laterale ale aparatului se află la o anumită distanță de perete sau de alte obiecte și urmați instrucțiunile privind instalarea.
- În cazul în care schema indică o configurație corectă pentru sertare și rafturi, vă rugăm să nu modificați acea configurație, deoarece este special concepută pentru eficientizarea consumului de energie electrică.

VIII. DESCRIEREA PRODUSULUI



1. Panou de comandă și lampă cu LED
2. Raft frigider
3. Capacul sertarului pentru legume
4. Sertar pentru legume
5. Picioare reglabile

6. Mâner
7. Raft superior pe ușă
8. Raft inferior pe ușă
9. Ușă frigider

Notă:

- Date fiind modificările continue aduse produselor, frigiderul dumneavoastră poate fi puțin diferit de cel descris în acest manual de utilizare, însă funcțiile și modalitatea de utilizare rămân aceleași.
- Pentru ca acest produs să fie cât mai eficient energetic, vă rugăm să amplasați rafturile și sertarele în pozițiile indicate în ilustrația de mai sus.

IX. INSTALAREA

Curățarea înainte de utilizare

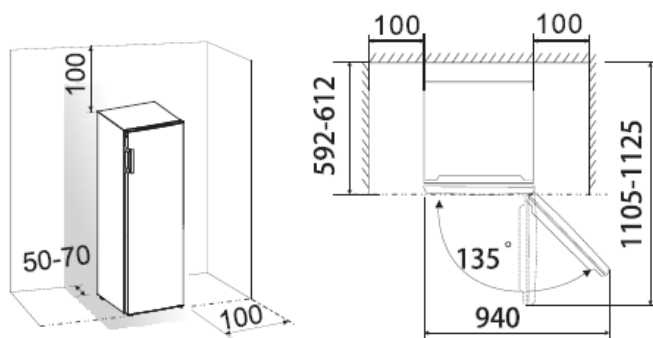
Înainte de a folosi aparatul pentru prima dată, spălați interiorul și toate accesoriile interne cu apă caldă și cu detergent neutru, pentru a înlătura mirosul specific de produs nou, apoi uscați-le bine.

Important! Nu folosiți detergenți sau prafuri abrazive, deoarece acestea vor deteriora suprafețele.

Aerisirea aparatului

Pentru o eficiență ridicată a refrigerării și un consum scăzut de energie electrică, în jurul frigiderului trebuie să existe o bună ventilație, în vederea înlesnirii dispersării căldurii. În acest sens, trebuie să lăsați suficient spațiu liber în jurul frigiderului.

Vă recomandăm să lăsați o distanță de 50-70 de mm între spatele frigiderului și perete, cel puțin 100 de mm în partea superioară, cel puțin 100 de mm în laterale, precum și un spațiu liber în față care să permită deschiderea ușilor la 135°. Consultați schemele de mai jos.



Notă: Acest aparat funcționează corespunzător în clasele de climă de la N la ST specificate în tabelul de mai jos. Dacă aparatul este lăsat pentru o perioadă mai îndelungată la o temperatură superioară sau inferioară limitelor intervalului specificat, este posibil ca acesta să nu mai funcționeze corect.

Clasa de climă	Temperatura ambiantă
SN	de la +10 °C la +32 °C
N	de la +16 °C la +32 °C
ST	de la +16 °C la +38 °C
T	de la +16 °C la +43 °C

Instalați aparatul într-un loc uscat, ferit de umezeală.

Nu expuneți aparatul la lumina directă a soarelui, la ploaie sau îngheț. Instalați aparatul departe de surse de căldură precum sobele sau încălzitoarele.

Echilibrarea aparatului

Pentru asigurarea unei echilibrări eficiente și a unei circulații optime a aerului în partea din spate a aparatului, poate fi necesară reglarea picioarelor aparatului.

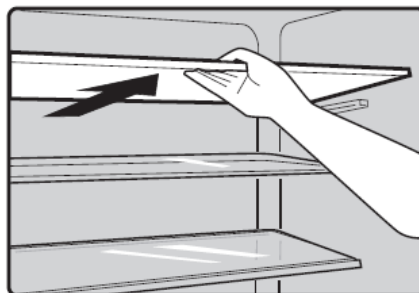
Reglarea picioarelor poate fi realizată manual sau cu ajutorul unei chei potrivite. Pentru ca ușile să se poate închide singure, înclinați aparatul către partea din spate aproximativ 10 mm.

Accesorii

Rafturi/sertare detaşabile

Aparatul dumneavoastră este prevăzut cu diverse rafturi din sticlă, plastic sau metal; tipul și caracteristicile rafturilor diferă de la un model la altul.

Pereții frigiderului sunt prevăzuți cu ghidaje de suport, astfel încât rafturile să poată fi poziționate în funcție de preferințe.



Scoaterea și montarea rafturilor ușii

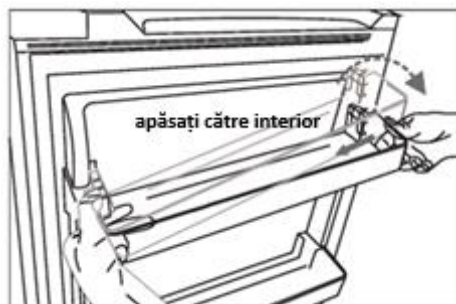
Avertisment: Rafturile ușii nu trebuie scoase și montate de către utilizator! Dacă rafturile ușii sunt deteriorate, apelați la asistență specializată. Pentru înlocuirea rafturilor ușii, pot fi urmați pașii de mai jos:

Detașarea rafturilor de pe ușă



Apăsați pe partea interioară din dreapta raftului ușii în timp ce țineți de partea stângă. După detașarea canelurii raftului de pe ușa frigiderului, raftul poate fi scos prin ridicare.

Montarea rafturilor pe ușă



Înclinați mai întâi partea din stânga a raftului și asigurați-vă că fixați canelura raftului pe ușă. Apoi apăsați pe partea din dreapta către interior și împingeți în jos până la fixare.

Compartimentul de refrigerare

Acest compartiment este destinat depozitării alimentelor care nu necesită congelare, fiind potrivit pentru alimente și recipiente de diferite dimensiuni.

Sertarul pentru legume






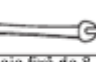

Acest compartiment este destinat depozitării fructelor și legumelor.

Inversarea sensului de deschidere a ușii

Sensul de deschidere a ușii poate fi inversat, trecând de la deschidere către partea dreaptă (așa cum este montat în fabrică) la deschidere către partea stângă, dacă este necesar.

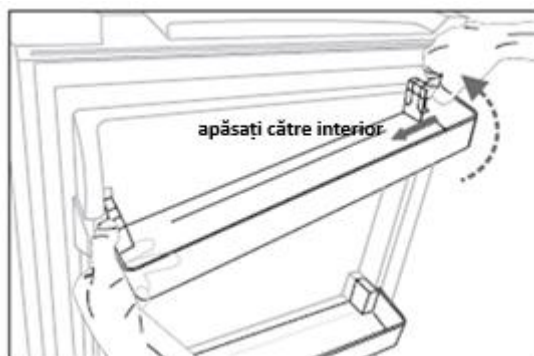
Avertisment! Atunci când inversați ușa, aparatul nu trebuie să fie conectat la sursa de alimentare cu energie electrică. Asigurați-vă că ștecherul este scos din priză.

Aveți nevoie de următoarele unelte.

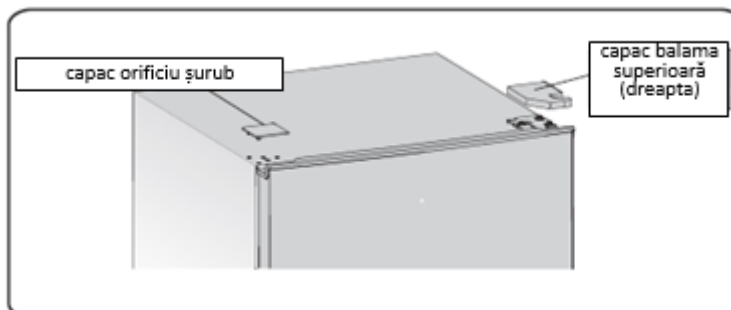
Nu sunt furnizate		
 Cheie tubulară de 8 mm	 Șurubelniță în linie	 Șpaclu
 Șurubelniță în cruce	 Cheie franceză	 Cheie fixă de 8 mm
Componente suplimentare (în punga de plastic)		
		
Capac balama stânga		

Notă: Înainte de a începe, pentru a avea acces la baza aparatului, așezați-l pe spate, pe o bucată de ambalaj din polistiren sau din material similar, în vederea evitării deteriorării componentelor de pe partea din spate a aparatului. Pentru inversarea sensului de deschidere a ușii, se recomandă parcurgerea pașilor de mai jos:

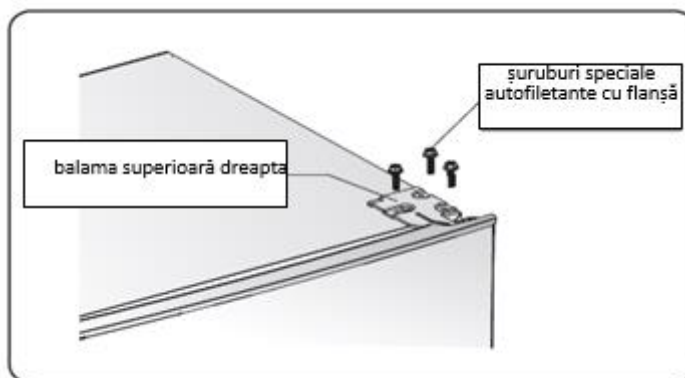
1. Puneți frigiderul în picioare. Deschideți ușa, scoateți toate rafturile de pe ușă (pentru a evita deteriorarea acestora), apoi închideți ușa.



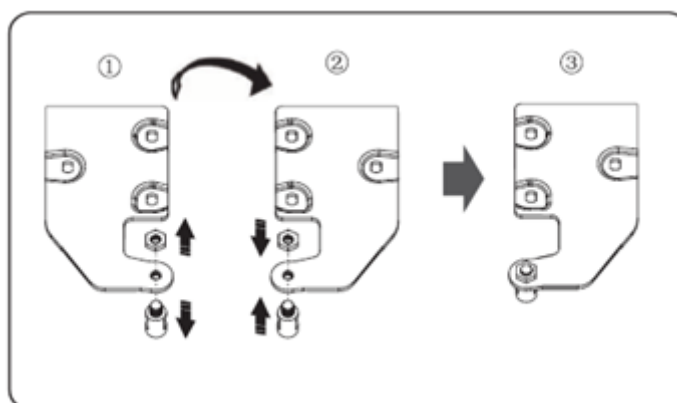
2. Utilizați un șpaclu sau o șurubelniță în linie pentru a scoate capacul de pe orificiul situat în colțul din stânga sus al aparatului, apoi scoateți capacul balamalei superioare situate în colțul din dreapta sus al aparatului.



3. Cu ajutorul unei șurubelnițe tubulare de 8 mm sau al unei chei, desfaceți șuruburile autofiletante speciale cu flanșă care sunt utilizate pentru fixarea balamalei superioare din dreapta (vă rugăm să susțineți ușa superioară cu mâna în timpul acestei operații).

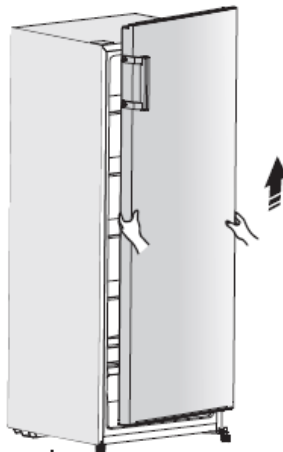


4. Scoateți axul balamalei superioare, mutați-l în partea opusă și strângeți-l bine.

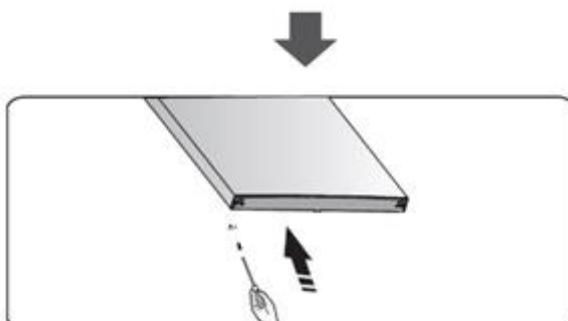
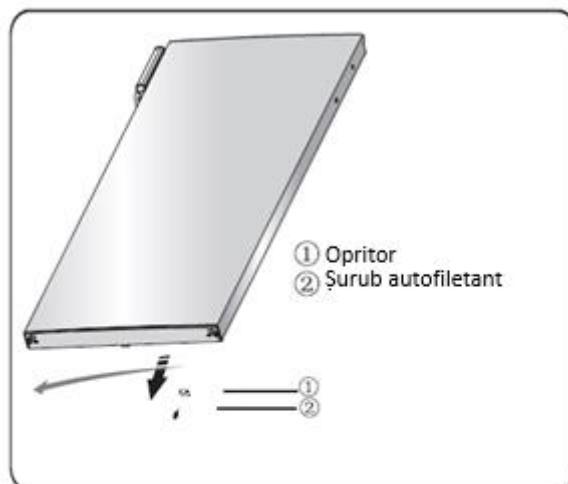


5. Scoateți ușa de pe balamaua inferioară.

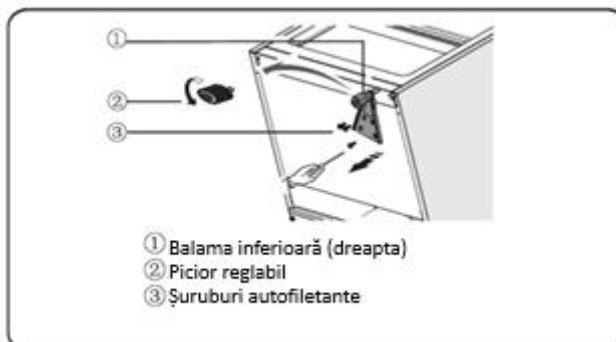
Notă: În momentul scoaterii ușii, aveți grijă ca șaiba sau șaibele dintre balamaua inferioară și partea inferioară a ușii inferioare să nu rămână lipite de ușă. Nu le pierdeți.



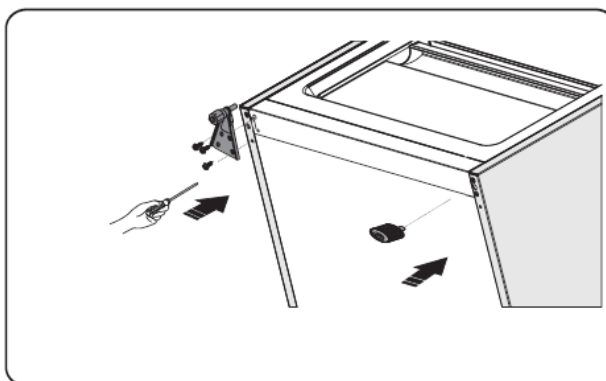
6. Puneți ușa pe o suprafață netedă, cu panoul în partea de sus. Scoateți șurubul (2) și piesa (1), apoi montați-le în partea stângă și strângeți-le bine.



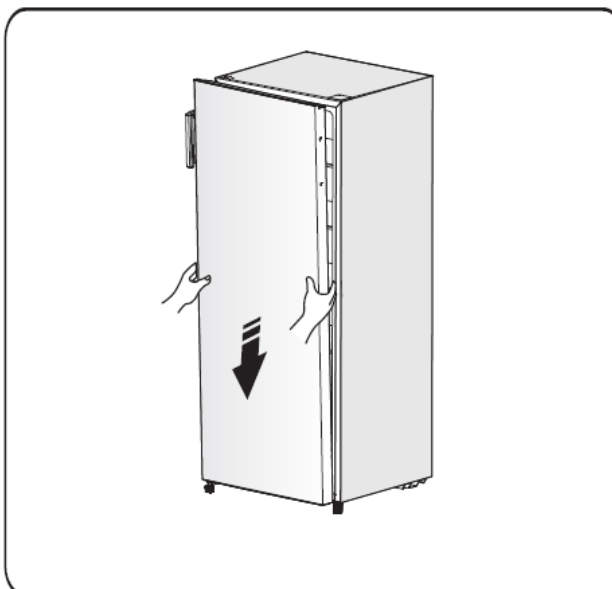
7. Așezați frigiderul pe un ambalaj din spumă moale sau pe un material similar. Scoateți ambele picioare reglabile, apoi scoateți balamaua inferioară prin desfacerea șuruburilor speciale autofiletante cu flanșă.



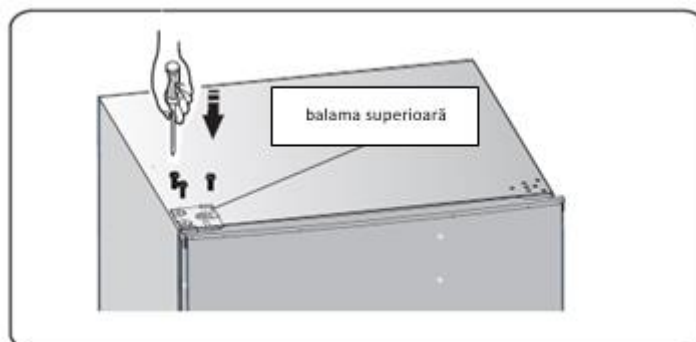
8. Repoziționați balamaua inferioară pe partea stângă și fixați-o cu ajutorul șuruburilor speciale autofiletante cu flanșă. Poziționați picioarele reglabile în partea opusă și fixați-le.



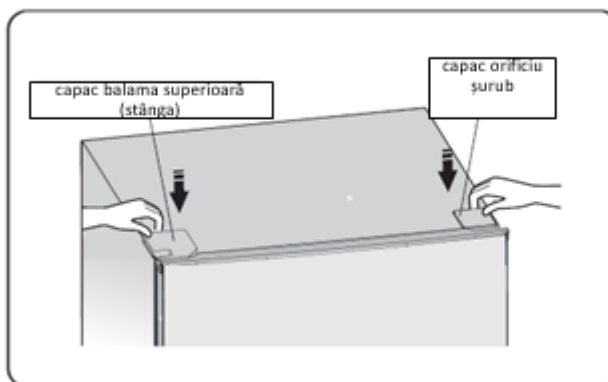
9. Așezați ușa în poziția corespunzătoare, reglați balamaua inferioară și introduceți axul balamalei în orificiul de jos al ușii.



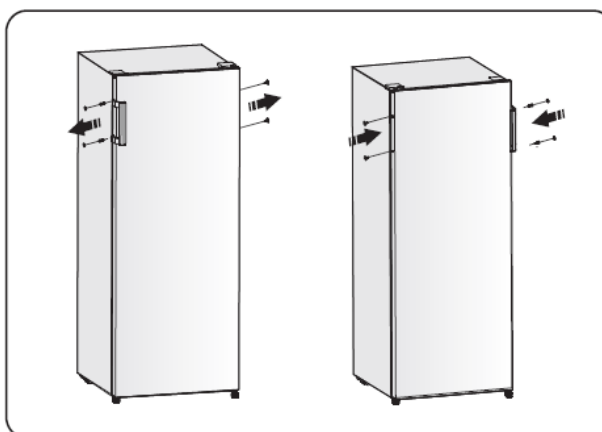
10. Mutați balamaua superioară și introduceți axul balamalei superioare în orificiul de sus al ușii, apoi reglați poziția ușii (vă rugăm să susțineți ușa cu mâna în timpul acestei operații), fixând balamaua superioară cu ajutorul șuruburilor speciale autofiletante cu flanșă.



11. Montați capacul pe orificiul situat în colțul din dreapta sus al aparatului. Montați capacul balamalei superioare (aflat în pungă din plastic) pe colțul din stânga. Puneți capatul balamalei superioare în pungă din plastic.



12. Mutați mânerul din partea stângă a ușii în partea dreaptă.



13. Deschideți ușa și instalați rafturile pe ușă, apoi închideți-o.

Avertisment! Atunci când inversați sensul de deschidere a ușii, aparatul nu trebuie să fie conectat la sursa de alimentare cu energie electrică. Pentru aceasta, deconectați ștecărul de la sursa de alimentare cu energie electrică.

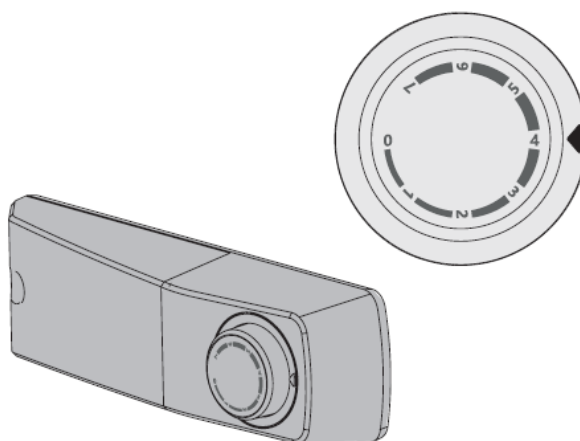
X. SETAREA TEMPERATURII

Pornirea aparatului și reglarea temperaturii

Introduceți ștecărul cablului de alimentare în priză cu împământare. Atunci când ușa frigiderului este deschisă, becul din interiorul aparatului se aprinde. După amplasarea aparatului în locul destinat acestuia, așteptați 5 minute înainte de conectarea ștecărului la sursa de alimentare. Nu depozitați produse în aparat înainte ca temperatura din interiorul acestuia să fie suficient de scăzută.

Butonul de reglare a temperaturii este situat în partea laterală a compartimentului de congelare.

Pentru conservarea optimă a alimentelor, setarea pe nivelul mediu a termostatului este în general cea mai potrivită.



Setarea 0 înseamnă:

Oprit.

Rotiți butonul în sensul acelor de ceasornic pentru a porni aparatul.

Setarea 1 înseamnă:

Setarea pentru temperatura cea mai ridicată.

Setarea 7 (capătul intervalului de reglare) înseamnă:

Setarea pentru temperatura cea mai scăzută.

Important! Pentru o funcționare normală, vă sfătuim să alegeți setarea 2, 3 sau 4. Dacă doriți ca temperatura să fie mai ridicată sau mai scăzută, rotiți butonul către o setare superioară sau inferioară, în funcție de preferințe. Dacă rotiți butonul către o setare pentru o temperatură superioară, puteți economisi mai multă energie electrică.

Important! Temperaturile ambiante ridicate (cum ar fi cele din timpul verii) și selectarea unei temperaturi scăzute (poziția 6 sau 7) pot determina funcționarea continuă a compresorului. Produsul nu poate fi utilizat mult timp la aceasta setare.

Motiv: atunci când temperatura mediului ambiant este ridicată, compresorul funcționează încontinuu pentru a menține o temperatură scăzută în interiorul aparatului.

Notă: Setarea unei temperaturi ridicate va accelera deteriorarea alimentelor.

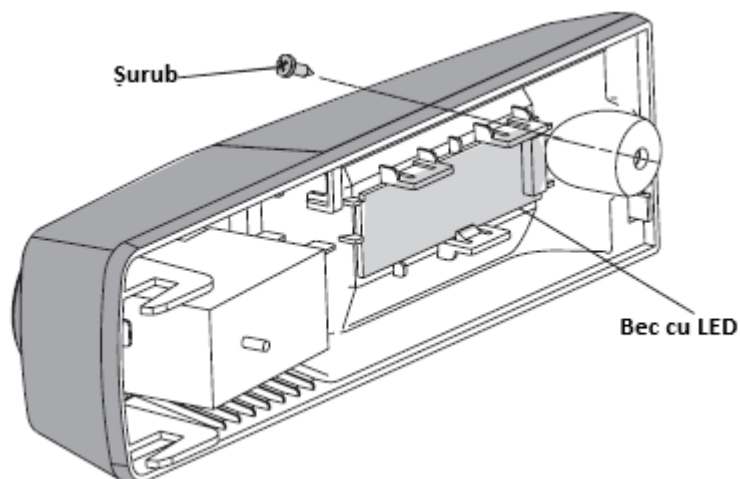
Înlocuirea becului LED



Avertisment! Asigurați-vă că becul nu este ars. Becul nu trebuie înlocuit de către utilizator.

Înlocuirea becului de către persoane fără experiență poate cauza răniri sau defecțiuni grave. Pentru evitarea pericolelor, acesta trebuie înlocuit de către persoane calificate.

- Înainte de înlocuirea becului, opriți aparatul și deconectați-l de la sursa de alimentare sau întrerupeți alimentarea generală cu energie electrică.
- Date privind becul cu LED: 220-240V, MAX. 2W.
- Deconectați ștecărul de la sursa de alimentare.
- Pentru înlocuirea becului, desfaceți șurubul.
- Înlocuiți becul LED.
- Repuneți frigiderul în funcțiune.



XI. RECOMANDĂRI ȘI SFATURI UTILE

Zgomote în timpul funcționării

Următoarele zgomote sunt caracteristice funcționării aparatelor frigorifice:

Păcănituri: De fiecare dată când compresorul pornește sau se oprește, se aude o păcănitură.

Bâzâit: În timpul funcționării, compresorul bâzâie.

Bolboroseli: Atunci când agentul frigorific curge prin conducte, se pot auzi bolboroseli sau clipocit.

Clipocit: Chiar și după oprirea compresorului, acest zgomot poate fi auzit pentru o perioadă scurtă.

Recomandări privind refrigerarea alimentelor proaspete

Pentru obținerea unor performanțe optime:

- Nu depozitați în aparat mâncare caldă sau lichide care se evaporă.
- Acoperiți sau împachetați alimentele, în special în cazul în care acestea emit mirosuri puternice.
- Așezați alimentele în mod corespunzător, astfel încât aerul să poată circula liber în jurul acestora.

Recomandări privind refrigerarea

- Carnea (de toate tipurile) se împachetează în folie de polietilenă și se așază pe raftul din sticlă situat deasupra sertarului pentru legume și fructe. Pentru siguranță, depozitați carnea în acest mod numai timp de o zi sau cel mult două.
- Alimentele gătite, mezelurile etc.: acestea trebuie acoperite și așezate pe orice raft. Fructele și legumele: acestea trebuie curățate bine și așezate în sertarele destinate acestora.
- Untul și brânzeturile: acestea trebuie așezate în recipiente speciale închise ermetic sau înfășurate în folie din aluminiu sau în pungi de polietilenă cât mai etanșe.
- Sticlele de lapte: acestea trebuie prevăzute cu capac și depozitate în rafturile de pe ușă.

Pentru a evita contaminarea alimentelor, respectați instrucțiunile de mai jos.

- Dacă ușa aparatului este lăsată deschisă pe perioade lungi, temperatura din compartimentele aparatului crește semnificativ.
- Curățați periodic suprafețele care pot intra în contact cu alimentele, precum și sistemele de scurgere ale aparatului.
- Păstrați carnea crudă și peștele proaspăt în recipiente corespunzătoare, astfel încât acestea să nu intre în contact cu alte alimente.
- Compartimentele de congelare cu două stele sunt potrivite pentru păstrarea alimentelor precongelate, păstrarea sau prepararea înghețatei sau producerea cuburilor de gheață.
- Compartimentele cu una, două și trei stele nu sunt potrivite pentru congelarea alimentelor proaspete.

Notă: Vă rugăm să păstrați alimentele în compartimentele corespunzătoare și la temperaturile de depozitare recomandate.

Dacă aparatul frigorific este lăsat gol pe perioade lungi, opriți-l, decongețați-l, curățați-l, ștergeți-l bine și lăsați-i ușa deschisă pentru a preveni formarea mucegaiului în interiorul acestuia.

Avertisment! Alimentele trebuie ambalate în pungi înainte de a fi introduse în frigider, iar lichidele trebuie ambalate în sticle sau recipiente cu capac.

Nr. de ordine	Tipul compartimentului	Temperatură de depozitare recomandată [°C]	Alimente potrivite
1	Refrigerare	+2≤+6	Ouăle, alimentele gătite, alimentele ambalate, fructele și legumele, lactatele, prăjiturile și băuturile nu sunt potrivite pentru congelare.
2	Alimente proaspete	0≤+4	Carne proaspătă de porc, vită și pui, mâncare gătită etc. (se recomandă să fie consumate în aceeași zi, de preferință în termen de cel mult 3 zile).
3	Vin	+5≤+20	Vin roșu, vin alb, vin spumant etc.

XII. CURĂȚAREA ȘI DEZGHEȚAREA CONGELATORULUI

Din motive de igienă, aparatul (inclusiv accesoriile interioare) trebuie curățat cu regularitate (cel puțin o dată la două luni).



Avertisment! Pericol de electrocutare!

- În timpul curățării, aparatul trebuie să fie deconectat de la sursa de alimentare cu energie electrică. Înainte de a curăța aparatul, opriți-l și scoateți ștecărul din priză sau întrerupeți circuitul electric general al locuinței.

Important!

- Înainte de curățarea aparatului, scoateți alimentele. Depozitați-le într-un loc răcoros și acoperiți-le bine.
- Nu curățați aparatul cu un dispozitiv de curățare cu abur. Se poate acumula umezeală în componentele electrice.
- Aburii fierbinți pot deteriora componentele din plastic.
- Uleiurile eterice și solvenții organici (sucul de lămâie sau sucul din coaja de portocală, acidul butiric, substanțele de curățat care conțin acid acetic) pot ataca elementele din plastic ale aparatului. Nu lăsați substanțe de acest tip să intre în contact cu piesele aparatului.
- Nu folosiți substanțe de curățat abrazive.
- Curățați aparatul și accesoriile interne cu o lavetă și apă caldă. Puteți folosi detergenți de vase disponibili în comerț.
- După ce curățați aparatul, clătiți-l cu apă curată și ștergeți-l cu o lavetă uscată.
- Acumularea de praf pe elementele condensatorului poate crește consumul de energie electrică; curățați temeinic condensatorul situat în spatele aparatului, o dată pe an, cu o perie moale sau cu un aspirator.
- Verificați orificiul de scurgere a apei situat pe peretele posterior al compartimentului de refrigerare.
- Dacă orificiile de scurgere sunt înfundate, destupați-le cu ajutorul tije de culoare verde. Utilizarea obiectelor ascuțite poate duce la deteriorarea aparatului.
- După ce toate componentele sunt din nou uscate, puteți repune aparatul în funcțiune.

Dezghetarea

Motivul dezghetării

- Umezeala provenită din alimente sau din aerul care pătrunde în aparat în urma deschiderii ușilor poate duce la formarea unui strat de gheață în interiorul aparatului. Atunci când stratul de gheață este gros, performanța de răcire a aparatului este scăzută. Atunci când grosimea stratului de gheață depășește 10 mm, dezghetarea este necesară.

Dezghetarea compartimentului pentru alimente proaspete

- Aceasta este controlată în mod automat, nefiind necesară nicio operație în acest sens. Apa rezultată în urma dezghetării ajunge printr-o conductă de evacuare într-o tava de colectare a apei situată în spatele aparatului.

Perioade îndelungate de neutilizare

- Scoateți alimentele din aparat.
- Opriți aparatul prin rotirea regulatorului de temperatură la poziția „0”.
- Scoateți ștecărul din priză sau opriți alimentarea generală cu energie electrică.
- Curățați bine aparatul (a se vedea secțiunea „Curățare și întreținere”).
- Pentru evitarea formării de mirosuri neplăcute, lăsați ușa deschisă.

Notă: Dacă aparatul este prevăzut cu un compartiment de congelare.

XIII. REMEDIEREA PROBLEMELOR

Avertisment! Înainte de a remedia defecțiunile, scoateți ștecărul din priză. Problemele tehnice care nu sunt prezentate în acest manual pot fi remediate numai de către un electrician calificat.

Important! În timpul utilizării normale, se pot auzi unele sunete (compresorul, circulația agentului de răcire).

Important! Reparațiile nu pot fi realizate decât de către tehnicieni de service calificați. Reparațiile necorespunzătoare pot genera pericole semnificative pentru utilizator. Dacă aparatul dumneavoastră trebuie reparat, contactați distribuitorul specializat sau centrul local de reparații.

Problemă	Cauză posibilă	Soluție
Aparatul nu funcționează.	Aparatul nu este pornit.	Porniți aparatul.
	Ștecărul cablului de alimentare nu a fost introdus în priză sau a ieșit din priză.	Introduceți ștecărul în priză.
	Siguranța s-a ars sau este defectă.	Verificați siguranța. Dacă este necesar, înlocuiți-o.
	Priza este defectă.	Defecțiunile sursei de alimentare cu energie electrică trebuie remediate de către un electrician.
Aparatul răcește prea mult.	Temperatura setată este prea scăzută.	Rotiți temporar butonul regulatorului către o poziție inferioară.
Alimentele sunt prea calde.	Temperatura nu este reglată corect.	Vă rugăm să citiți capitolul privind setarea temperaturii.
	Ușa a fost lăsată deschisă pentru o perioadă îndelungată.	Nu țineți ușa deschisă mai mult decât este necesar.
	În ultimele 24 de ore, au fost introduse în aparat alimente calde în cantitate mare.	Rotiți temporar butonul regulatorului către o poziție superioară.
	Aparatul se află lângă o sursă de căldură.	Vă rugăm să citiți capitolul privind locul instalării aparatului.
Lumina din interior nu se aprinde.	Becul este defect.	Vă rugăm să consultați capitolul privind înlocuirea becului.
Se formează multă gheață, chiar și pe garnitura ușii.	Garnitura ușii nu etanșează corespunzător (probabil ca rezultat al inversării sensului de deschidere a ușii).	Încălziți cu grijă secțiunile neetanșate ale garniturii ușii, cu ajutorul unui uscător de păr (la o temperatură nu foarte ridicată). În același timp, modelați garnitura încălzită, astfel încât aceasta să fie poziționată corect.
Zgomote neobișnuite.	Aparatul nu este stabil.	Reglați picioarele aparatului.
	Aparatul atinge peretele sau alte obiecte.	Mutați puțin aparatul.
	O componentă (de exemplu o conductă a aparatului) atinge o altă piesă a aparatului sau peretele.	Dacă este necesar, îndoitiți cu atenție componenta, astfel încât aceasta să nu mai atingă nimic.
Compresorul nu pornește imediat după modificarea setării temperaturii.	Acest lucru este normal, nu a apărut nicio defecțiune.	Compresorul va porni după un anumit timp.
Observați prezența apei pe podea sau pe rafturile de depozitare.	Orificiul de scurgere a apei este obturat.	Consultați secțiunea referitoare la curățare și întreținere.

SERVICE ȘI ASISTENȚĂ PENTRU CLIEȚI

Utilizați numai piese de schimb originale.

Când contactați centrul nostru de service autorizat, asigurați-vă că aveți la îndemână următoarele informații: Denumirea modelului și numărul de serie.

Informațiile pot fi găsite pe plăcuța cu date tehnice. Acestea pot suferi modificări fără o notificare prealabilă.

DATE TEHNICE

Informațiile tehnice se află pe plăcuța cu date tehnice a aparatului și pe eticheta energetică.

Codul QR de pe eticheta energetică furnizată împreună cu aparatul oferă un link web către informațiile din baza de date EPREL cu privire la performanțele aparatului.

Păstrați eticheta energetică pentru consultări ulterioare, împreună cu manualul de utilizare și cu toate celelalte documente furnizate împreună cu acest aparat.

De asemenea, puteți găsi aceleași informații în baza de date EPREL, folosind link-ul <https://eprel.ec.europa.eu> și denumirea modelului o găsiți pe plăcuța cu date tehnice a aparatului.

Pentru a accesa informațiile despre produsul dvs. în portalul EPREL, puteți scana codurile de mai jos:



Vă mulțumim pentru achiziționarea acestui produs! Dacă aveți nevoie de asistență în ceea ce privește produsul dumneavoastră, vizitați site-ul nostru web utilizând linkurile de mai jos:

Manuale de utilizare: <https://www.heinner.ro>

Informații referitoare la service: <https://www.heinner.ro>



MASURI PENTRU PROTECTIA MEDIULUI

Va informam ca persoanele fizice au urmatoarele obligatii prin legislatia specifica privind protectia mediului si regimul deseurilor:

- Deseurile de echipamente electrice si electronice (DEEE), pot contine substante periculoase pentru mediu si sanatatea umana. Conform OUG 5/2015, exista obligativitatea predarii acestora, pentru tratarea corespunzatoare si valorificarea componentelor reciclabile. Societatea Network One Distribution S.R.L. este platitoare de taxa de " timbru verde" pentru fiecare Echipament Electric si Electronic (EEE) pe care il pune pe piata. Acest cost asigura tratarea ulterioara a echipamentelor uzate colectate. Din acest motiv, odata ce devine deșeu, produsul EEE poate fi predat gratuit operatorului Dvs. de salubritate, la magazine atunci cand achizitionati alt echipament similar, sistemul "unul la unu "sau la punctul de colectare organizat de Primaria Sectorului / localitatii Dvs.
- Simbolul (marcajul) aplicat produselor, care indica faptul ca deseurile DEEE, bateriile si acumulatorii - fac obiectul unei colectari separate, il reprezinta o pubea barata cu o cruce.



Aceste masuri vor ajuta la protejarea mediului

Societatea Network One Distribution S.R.L. este inregistrata in Registrul de punere pe piata a echipamentelor electrice si electronice, avand numarul de inregistrare: RO-2016-03-EEE-0201-IV. De asemenea, au fost intocmite si sunt gestionate: Registrul de Retragere EEE si Registrul de Rechemare EEE, in conformitate cu HG 322/2013. Totodata societatea este inregistrata in Registrul de punere pe piata a bateriilor, avand numarul de inregistrare: RO-2011-03-B&A-0283.

Conformitatea cu directiva RoHS: Produsul pe care l-ați cumpărat este conform cu Directiva RoHS UE (2011/65/UE). Nu conține materialele dăunătoare și interzise specificate în Directivă.

Va multumim ca participati alaturi de noi la protejarea mediului si a sanatatii umane!



Eliminarea deșeurilor în mod responsabil față de mediu

Puteți ajuta la protejarea mediului!

Va rugăm să respectați reglementările locale, prin predarea echipamentelor electrice nefuncționale unui centru de colectare a echipamentelor electrice uzate.



HEINNER este marcă înregistrată a companiei **Network One Distribution SRL**. Celelalte branduri și denumirile produselor sunt mărci de comerț sau mărci de comerț înregistrate ale respectivilor deținători.

Nicio parte a specificațiilor nu poate fi reprodusă sub nicio formă și prin niciun mijloc, nici utilizată pentru obținerea unor derivate precum traduceri, transformări sau adaptări, fără consimțământul prealabil al companiei NETWORK ONE DISTRIBUTION.

Copyright © 2013 Network One Distribution. Toate drepturile rezervate.

www.heinner.com, <http://www.nod.ro>

<http://www.heinner.com>, <http://www.nod.ro>



Acest produs este proiectat și realizat în conformitate cu standardele și normele Comunității Europene.

Importator: **Network One Distribution**

Str. Marcel Iancu, nr. 3-5, București, România

Tel: +40 21 211 18 56, www.heinner.com, www.nod.ro

HEINNER

ХЛАДИЛНИК

Модел: HF-HS250E++



- Хладилник
- Енергиен клас: E
- Общ обем: 242 литра

Благодарим Ви, че избрахте този продукт!

I. ВЪВЕДЕНИЕ

Моля прочетете внимателно инструкциите и запазете наръчника за бъдещи справки.

Този наръчник има за цел да Ви предостави всички необходими инструкции по отношение на инсталирането, използването и поддържането на уреда. Преди инсталиране и използване на уреда, с цел правилна и безопасна употреба на уреда, моля прочетете внимателно този наръчник с инструкции.

II. СЪДЪРЖАНИЕ НА ВАШИЯ ПАКЕТ



- Хладилник
- Наръчник за употреба
- Гаранционна карта

III. ПРЕДУПРЕЖДЕНИЯ ОТНОСНО БЕЗОПАСНОСТТА

За Вашата безопасност и за правилна употреба, преди да инсталирате и използвате устройството за първи път, прочетете внимателно този наръчник за потребителя, включително препоръките и предупрежденията. За да се избегнат излишни грешки и злополуки е много важно да се уверите, че всички хора, които използват устройството са запознати с начина на експлоатация и мерките за безопасност. Запазете тези инструкции и се уверете, че ще останат заедно с уреда, ако той бъде преместен или продаден, така че всеки, който го използва в срок на неговата експлоатация да бъде добре информиран във връзка с неговата употреба и с мерките за сигурност.

За безопасност на живота и имуществото, спазвайте разпоредбите в този наръчник за потребителя, тъй като производителя не носи отговорност за щетите причинени поради пропуски.

Безопасност за деца и други уязвими лица

- Съгласно стандарт EN: Уредът може да се използва от деца на възраст най-малко 8 години и от лица с намалени физически, сетивни или умствени способности, или с липса на достатъчен опит и познания, само ако са под наблюдение или са получили указания във връзка с използването на уреда по безопасен начин и ако разбират опасностите, които могат да възникнат при използване на уреда. Децата нямат право да си играят с уреда. Почистването и поддръжката не трябва да се извършват от деца, които не са под наблюдение.
- Децата на възраст над 3 години имат право да поставят и изваждат храни от хладилните уреди.
- Съгласно стандарт IEC: Уредът не е предназначен за употреба от лица (включително деца), които имат физически, сетивни или умствени затруднения или които нямат необходимите познания и опит, освен ако се намират под наблюдение или са обучени как да използват уреда от страна на лице, което отговаря за тяхната безопасност.
- Децата трябва да бъдат под наблюдение, така че да не си играят с уреда.
- Не оставяйте опаковките на достъпни места за деца. Опасност от задушаване.
- За да избегнете ситуации, в които децата могат да пострадат от токов удар или да се затворят вътре в устройството, преди да го изхвърлите, изключете щепсела от контакта, отрежете захранващия кабел (възможно най-близо до устройството) и премахнете вратата на уреда.
- Ако това устройство (което е снабдено с магнитна система за затваряне) заменя по-стар уред, снабден с пружинно затваряне (клипс) на вратата или на капака, преди да изхвърлите старото устройство се уверете, че пружинното затваряне не може да се използва повече. По този начин децата не могат да останат блокирани вътре.

Общи мерки за безопасност

ПРЕДУПРЕЖДЕНИЕ! Този уред е предназначен за използване в жилища и други подобни помещения:

- кухни на персонала в магазини, офиси и други работни среди;
- в домакинствата и от клиенти на хотели, мотели и други жилищни среди;
- среди от тип пансион с предлагана закуска;
- дейности от вида на кетъринг и доставки на едро.

ПРЕДУПРЕЖДЕНИЕ! Не съхранявайте в това устройство взривни вещества, като аерозолни спрейове със запалима течност.

ПРЕДУПРЕЖДЕНИЕ! Ако хранящият кабел е повреден, той трябва да се подмени от производителя, сервизния персонал или от лица с подобна квалификация, за да се избегнат евентуални опасности.

ПРЕДУПРЕЖДЕНИЕ! Уверете се, че отворите за проветрение върху корпуса на уреда или върху неговото тяло не са запушени.

ПРЕДУПРЕЖДЕНИЕ! Не използвайте механични устройства или други средства за ускоряване на процеса за размразяване освен тези, които са препоръчани от производителя.

ПРЕДУПРЕЖДЕНИЕ! Не повреждайте мрежата на хладилния агент.


ПРЕДУПРЕЖДЕНИЕ! Не използвайте електрически уреди на местата за съхраняване на храни в този уред, освен ако са от типа на тези, които се препоръчват от производителя.

ПРЕДУПРЕЖДЕНИЕ! Хладилният агент и изолационният газ са запалими. Елиминирайте уреда само чрез депониране в оторизиран център за елиминиране на отпадъци. Не излагайте уреда на огън.

ПРЕДУПРЕЖДЕНИЕ! Когато позиционирате уреда, уверете се, че не сте смачкали или повредили хранящия кабел.

ПРЕДУПРЕЖДЕНИЕ! Не поставяйте зад уреда разклонители за контакт или преносими източници на храняване.

ПРЕДУПРЕЖДЕНИЕ! Опаковайте храните в торбички и поставете течностите в бутилки или в покрити съдове, преди да ги поставите в хладилника, за да се избегне замърсяването на вътрешните компоненти на уреда.

Символът  предупреждава за това, че хладилният агент и изолиращият газ са запалими.



ВНИМАНИЕ! Опасност от пожар!

Ако охладителната верига е повредена:

- Избягвайте употребата на открит пламък и източници за запалване.
- Проветрете добре стаята, в която се намира устройството.

Смяна на крушки

ПРЕДУПРЕЖДЕНИЕ - Крушките не трябва да се сменят от потребителя! Ако крушките се повредят, обърнете се към специализиран сервиз. Това предупреждение е валидно само за хладилници, оборудвани с осветителни лампи.

Хладилният агент

Хладилната верига на устройството съдържа охладителен агент R600a (изобутан), природен газ с висока степен на съвместимост с околната среда, но запалим. По време на транспортирането и монтажа на устройството се уверете, че нито един от компонентите на хладилната верига не е повреден. Хладилният агент (R600a) е запалим.

ПРЕДУПРЕЖДЕНИЕ! Хладилниците съдържат хладилен агент и изолационни газове. Хладилният агент и газовете трябва да бъдат обезвредени по съответстващ начин, защото могат да предизвикат очни наранявания или могат да се запалят. Преди обезвреждане, уверете се, че системата от тръбопроводи на охлаждащия кръг не е повредена.

Ако охладителната верига е повредена:

- Избягвайте употребата на открит пламък и източници за запалване.
- Проветрете добре стаята, в която се намира устройството.

- Всякаква промяна на спецификациите или на продукта е опасна.

- Всяка повреда на захранващият кабел може да създаде риск от късо съединение, пожар или токов удар.

Електрическа безопасност

1. Не удължавайте захранващият кабел.
2. Уверете се, че щепсела не е смачкан или повреден. В случай, че захранващият кабел е смачкан или повреден, той може да прегрее и да причини пожар.
3. Уверете се, че имате достъп до щепсела на устройството.
4. Не дърпайте захранващият кабел.
5. Ако контакта, в който трябва да се включи щепсела е разхлабен, не включвайте щепсела в него. Съществува риск от токов удар и пожар.
6. Не употребявайте устройството без капак на лампата за вътрешно осветление.
7. Уредът може да се захранва само от еднофазна променлива електрическа верига, от 220-240V / 50Hz. Ако промените в напрежението в зоната, в която живее потребителят, не попадат в границите на диапазона на напрежение по-горе, за безопасност, използвайте автоматичен регулатор на напрежението AC с мощност по-голяма от 350 W. Уредът трябва да се захранва от отделен контакт, а не от контакт, към който са свързани и други електрически уреди. Щепселът трябва да е съвместим с контакта за заземяване.

IV. ЕЖЕДНЕВНА УПОТРЕБА

- Не съхранявайте газове или запалими течности в устройството; съществува риск от експлозия.
- Не използвайте електрически устройства във вътрешността на уреда (например електрически устройства за правене на сладолед, миксери и др.).
- Когато го изключвате от контакта, винаги изваждайте щепсела от контакта, не дърпайте кабела.
- Не поставяйте горещи предмети върху пластмасовите компоненти на устройството.
- Не поставяйте храни точно до отвора за извеждане на въздух, който се намира на задната стена от вътрешността на уреда.
- Съхранявайте опакованите замразени храни в съответствие с инструкциите на производителя на замразените храни.
- Спазвайте стриктно препоръките за съхранение от страна на производителя на това устройство. Вижте съответните указания.
- Не съхранявайте газирани напитки във фризера, защото се създава налягане върху съдовете, които могат да експлодират, което води до повреди на устройството.
- Замразените храни могат да предизвикат измръзване, ако се консумират директно от фризера.
- Не излагайте устройството на пряка слънчева светлина.
- Дръжте запалени свещи, лампи и други предмети с отворен пламък възможно най-далече от устройството, така че то да не се запали.
- Устройството е предназначено за съхранение на хранителни продукти и/или напитки в обикновено жилище, както е обяснено в този наръчник за потребителя. Устройството е тежко. Внимавайте, когато го премествате.
- Не изваждайте и не докосвайте предмети от фризера, ако ръцете Ви са влажни / мокри, защото това може да причини увреждания на кожата или измръзване.
- Никога не използвайте основата, чекмеджетата, вратите и др., за да се качвате върху тях или като подложка.
- Не замразявайте повторно размразени храни.
- Не яжте сладолед или ледени кубчета директно от фризера, защото могат да причинят измръзване на устата или устните.
- За да предотвратите падане на предмети и причиняване на телесни наранявания или повреждане на уреда, не претоварвайте рафтовете върху вратата и не поставяйте твърде много храни в контейнера за плодове и зеленчуци.
- Този хладилен уред не е предназначен за използване като вграден уред.
- Този хладилен уред не е подходящ за замразяване на храни.

V. ПОЧИСТВАНЕ И ПОДДРЪЖКА

- Преди мерките за поддръжка, изключете устройството и извадете щепсела от контакта.
- Не почиствайте устройството с метални предмети, почистващи уреди на пара, етерични масла, органични разтворители или абразивни прахове.
- Не използвайте остри предмети за отстраняване на леда от устройството. Използвайте пластмасова стъргалка.

VI. ИНСТАЛИРАНЕ

- За свързване на уреда към източник на захранване с електроенергия, следвайте внимателно инструкциите от настоящия наръчник.
- Разпакувайте устройството и проверете за повреди.
- Ако уреда е повреден, не го свързвайте към източника за захранване. Ако устройството е повредено, незабавно съобщете това на търговеца, от който сте го закупили. В такъв случай запазете опаковката.
- Препоръчваме Ви да изчакате най-малко четири часа, преди да свържете устройството към електрическата мрежа, за да може маслото да има време да се върне в компресора.
- Въздухът трябва да може да се движи свободно около устройството. Без тази вентилация, уреда може да прегрее. За да получите подходяща вентилация спазвайте инструкциите за инсталиране.
- Задната страна на продукта не трябва да се намира твърде близо до стената, за да се предотврати контакта или захващането на топлите компоненти (компресор, кондензатор). За предотвратяване на риска от възникване на пожар, следвайте инструкциите за инсталиране.
- Не поставяйте устройството близо до радиатори или готварски печки.
- Уверете се, че имате достъп до щепсела, след инсталиране на устройството.

VII. РЕМОНТИ И СПЕСТЯВАНЕ НА ЕЛЕКТРОЕНЕРГИЯ

Ремонти

- Електрическата работа за ремонтване на уреда трябва да се извършва от квалифициран електротехник или от специализиран персонал.
- Продуктът трябва да бъде ремонтиран от оторизиран сервизен център, като се използват само оригинални резервни части.

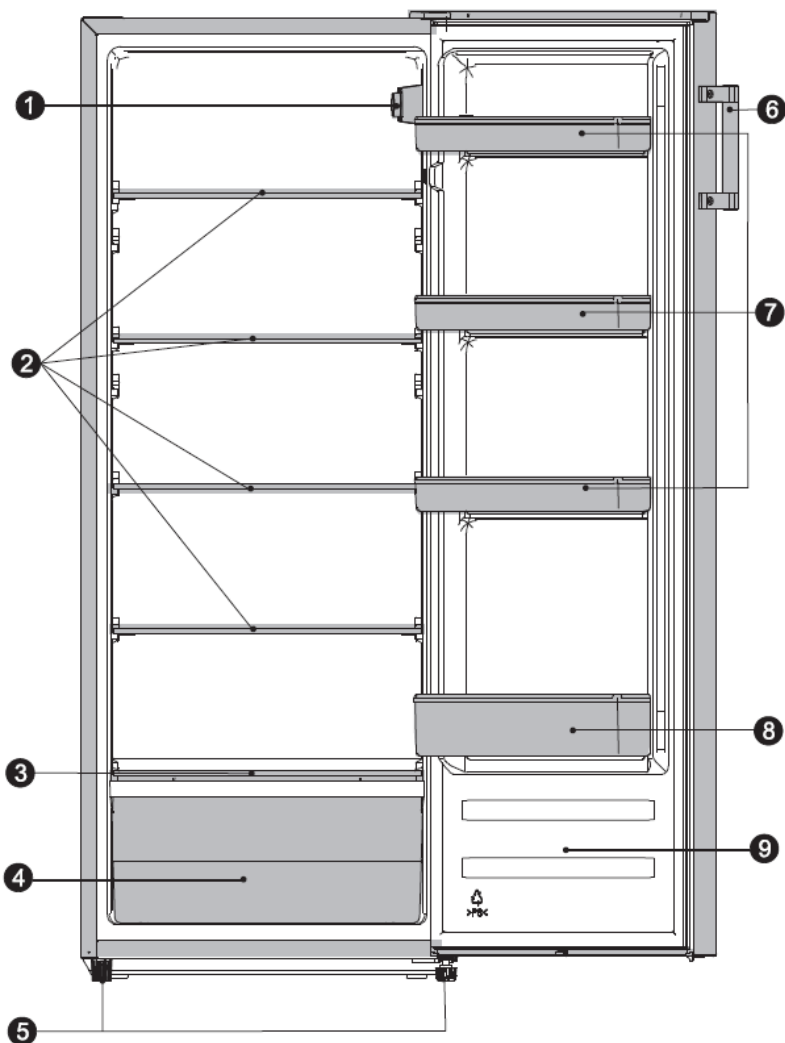
Ако уредът е оборудван със система "No Frost".

Ако уредът е оборудван с хладилна камера.

Съвети за икономия на електроенергия

- Не инсталирайте устройството близо до кухненски печки, радиатори или други източници на топлина.
- Не отваряйте вратата много често и не я оставяйте отворена повече отколкото е необходимо. Не настройвайте по-ниска температура, отколкото е необходимо.
- Уверете се, че страничните и задната част на устройството се намират на известно разстояние от стената, следвайте съответните инструкции за монтаж.
- Ако скицата Ви показва правилната комбинация за чекмеджетата и рафтовете, не коригирайте комбинацията, ще доведе до по-висок разход на енергия.

VIII. ОПИСАНИЕ НА ПРОДУКТА



- | | |
|--|-----------------------------|
| 1. Контролен панел и светодиодна лампа | 6. Дръжка |
| 2. Рафт хладилник | 7. Горен рафт върху вратата |
| 3. Капак на чекмеджето за зеленчуци | 8. Долен рафт върху вратата |
| 4. Чекмедже за зеленчуци | 9. Врата на хладилника |
| 5. Регулируеми крачета | |

Забележка:

- Поради постоянните промени, извършени върху продуктите, Вашият устройство може да бъде малко по-различен от този, описан в този наръчник за употреба, но функциите и начинът на употреба си остават същите.
- За да бъде този продукт възможно най-ефективен, моля, поставете рафтовете и чекмеджетата в позициите, които са показани в изображението по-горе.

IX. ИНСТАЛИРАНЕ

Почистване преди употреба

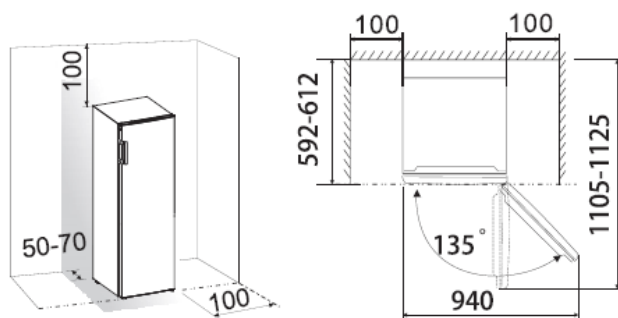
Преди да използвате уреда за първи път, измийте вътрешната част и всички вътрешни аксесоари с леко топла вода и с неутрален препарат за миене, за да отстраните специфичната миризма на нов продукт, след това изсушете ги добре.

Важно! Не използвайте абразивни препарати за миене или прахове, защото ще повредят повърхностите.

Проветрение на уреда

Трябва да се осигури добра вентилация около хладилника за улесняване на разсейването на топлината, за по-висока ефективност на функционирането и за ниска консумация на електроенергия. За тази цел трябва да оставите достатъчно свободно пространство около хладилника.

Препоръчваме Ви да оставите разстояние от 50-70 мм между задната страна на хладилника и стената, най-малко 100 мм от двете страни, разстояние над 100 мм от горната страна до тавана, както и свободно пространство отпред, което да позволява отваряне на вратите на 135°. Следвайте схемите по-долу.



Забележка: Този уред функционира по съответстващ начин в климатичните класове от N до ST, посочени в таблицата по-долу. Възможно е хладилникът да не функционира правилно, ако е оставен продължително време на температура под или над посочените стойности.

Климатичен клас	Температура в помещението
SN	от +10° C до +32° C
N	от +16° C до +32° C
ST	от +16° C до +38° C
T	от +16° C до +43° C

Инсталирайте уреда на сухо място и с ниска относителна влажност.

Не излагайте уреда на пряка слънчева светлина, дъжд или студ. Инсталирайте уреда далеч от източници на топлина като печки или нагреватели.

Нивелиране на уреда

За осигуряване на ефикасно нивелиране и оптимална циркулация на въздуха в задната страна на уреда, може да се налага регулиране на крачетата на уреда.

Регулирането на крачетата може да се реализира ръчно или с помощта на подходящ ключ.

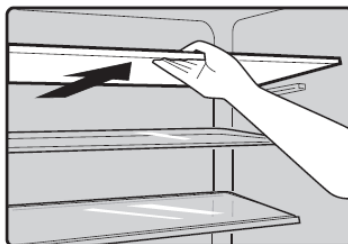
За да могат вратите да се затварят сами, наклонете уреда назад около 10 мм.

Аксессуары

Подвижные рафты/чекмеджета

Вашият уред е оборудван с различни рафтове от стъкло, пластмаса или метал; видът и характеристиките на рафтовете се различават при различните модели.

Върху стените на хладилника има помощни водачи, така че рафтовете да могат да бъдат позиционирани в зависимост от Вашите предпочитания.



Изваждане и монтаж на рафтовете на вратата

Предупреждение: Рафтовете на вратата не трябва да се изваждат и монтират от потребителя! Ако рафтовете на вратата са повредени, потърсете специализирана техническа помощ. За да подмените рафтовете на вратата, може да следвате стъпките по-долу:

Отделяне на рафтовете от вратата



Натиснете върху дясната вътрешна страна на рафта на вратата, докато държите за лявата страна. След отделяне на нареза на рафта от вратата на хладилника, рафтът може да се извади като се вдигне.

Монтаж на рафтовете на вратата



Наклонете първо лявата страна на рафта и уверете се, че фиксирате нареза на рафта върху вратата. След това натиснете върху дясната страна навътре и бутнете надолу докато се фиксира.

Хладилно отделение

Това отделение е предназначено за съхраняване на храни, които не изискват замразяване, като е подходящо за храни и съдове с различни размери.

Чекмедже за зеленчуци

Това отделение е предназначено за съхранение на плодове и зеленчуци.

Обръщане на посоката на отваряне на вратата

Посоката на отваряне на вратата може да бъде обърната, като се преминава от отваряне надясно (както е монтиран уредът фабрично) към отваряне наляво, ако е необходимо.

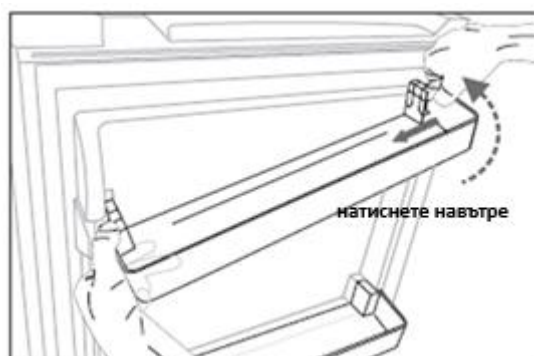
Предупреждение! Когато обръщате вратата, уредът не трябва да бъде свързан към източника на захранване с електроенергия. Уверете се, че щепселът е изваден от контакта.

Имате нужда от следните инструменти:

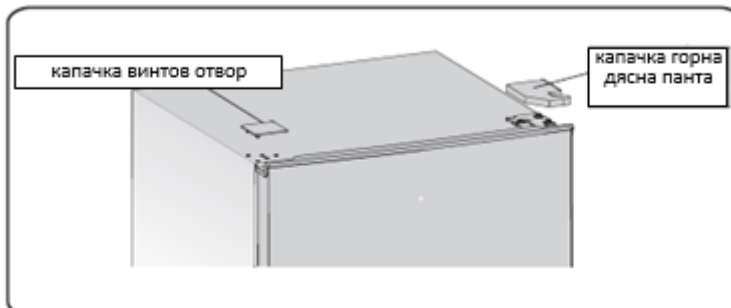
Не са доставени		
		
Тресчотка 8 мм	Правя отвертка	Шпакла
		
Кръстата отвертка	Френски ключ	Гачен ключ 8 мм
Допълнителни компоненти (в найлоновата)		
		
Капачка лява панта		

Забележка: Преди да започнете, за да имате достъп до основата на уреда, поставете го на задната страна върху парче от полистирол или от подобен материал, за да избегнете повреждането на компонентите от задната страна на уреда. За да обърнете посоката на отваряне на вратата, се препоръчва да преминете стъпките по-долу:

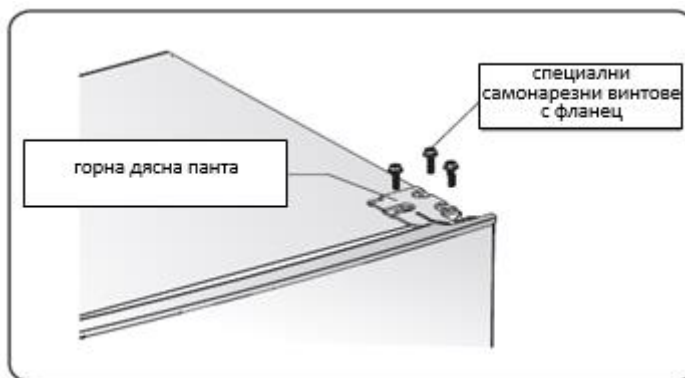
1. Поставете хладилника върху крачетата (във вертикално положение). Отворете вратата, извадете всички рафтове от вратата (за да се избегне тяхното повреждане), след това затворете вратата.



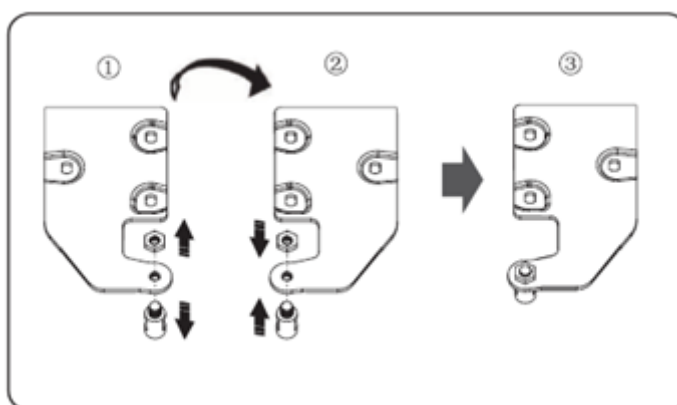
2. Използвайте шпакла или права отвертка, за да извадите капачката от отвора, който се намира в горния ляв ъгъл на уреда, след това извадете капачката на горната панта, която се намира в горния десен ъгъл на уреда.



3. С помощта на тресчотка 8 мм или ключ развийте специалните самонарезни винтове с фланец, които се използват за фиксиране на горната дясна панта (моля, придържайте горната врата с ръка по време на тази операция).

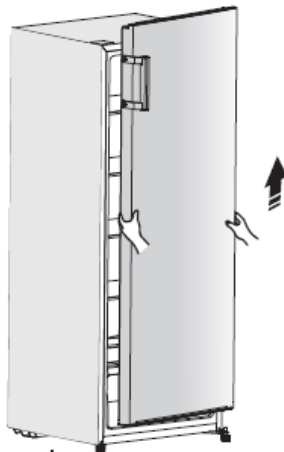


4. Извадете оста на горната панта, преместете оста в противоположната страна и затегнете я добре.

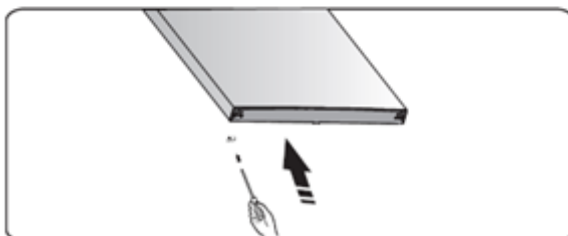


5. Извадете вратата от долната панта.

Забележка: При изваждане на вратата, внимавайте шайбата или шайбите между долната панта и долната страна на долната врата да не останат залепени за вратата. Не ги губете.



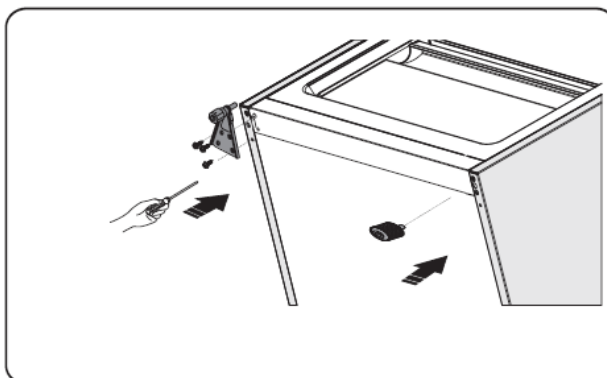
6. Поставете вратата върху равна повърхност, с панела в горната страна. Извадете винта (2) и частта (1), след това монтирайте ги в лявата страна и затегнете ги добре.



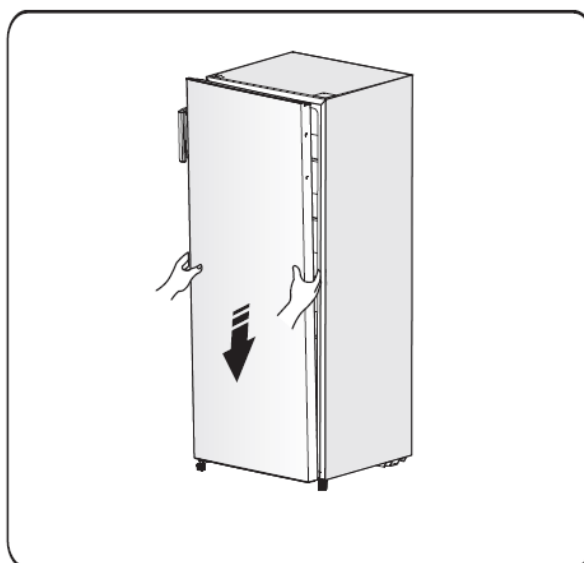
7. Поставете хладилника върху опаковка от стиропор или върху подобен материал. Извадете двете регулируеми крачета, след това извадете долната панта чрез развиване на специалните самонарезни винтове с фланец.



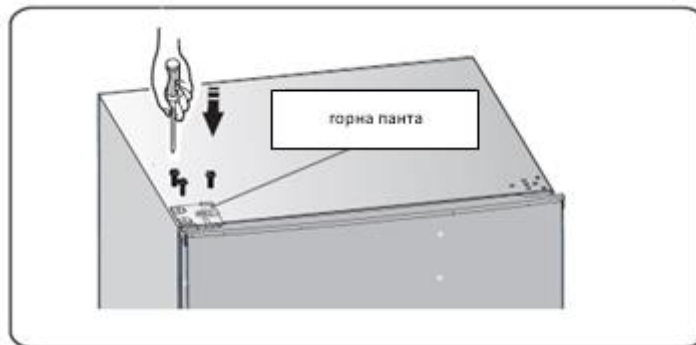
8. Позиционирайте отново долната панта в лявата страна и фиксирайте я с помощта на специалните самонарезни винтове с фланец. Позиционирайте регулируемите крачета в противоположната страна и фиксирайте ги.



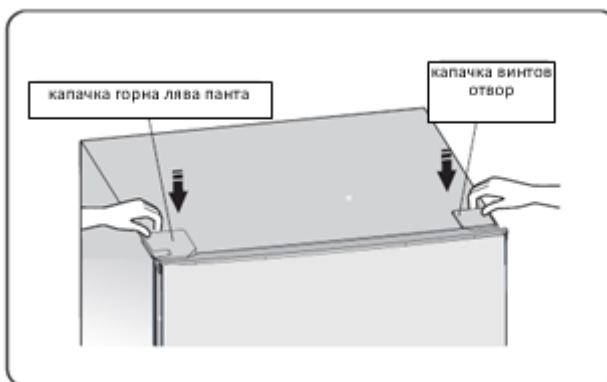
9. Поставете вратата в съответстваща позиция, регулирайте долната панта и вкарайте оста на пантата в долния отвор на вратата.



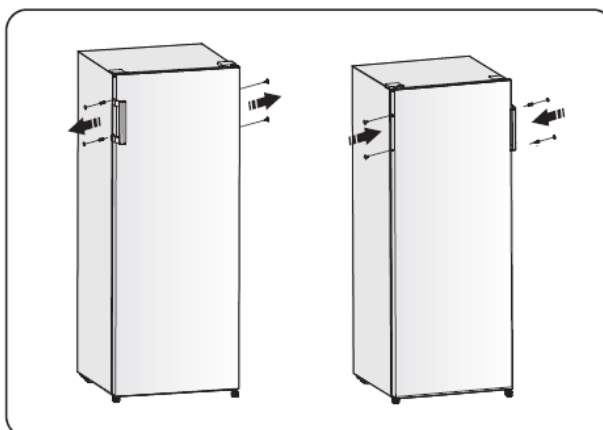
10. Преместете горната панта и вкарайте оста на горната панта в горния отвор на вратата, след това регулирайте позицията на вратата (моля, придържайте вратата с ръка по време на тази операция), като фиксирате горната панта с помощта на специалните самонарезни винтове с фланец.



11. Монтирайте капачката в отвора, който се намира в горния десен ъгъл на уреда. Монтирайте капачката на горната панта (намираща се в найлоновата торбичка) в левия ъгъл. Поставете капачката на горната панта в найлоновата торбичка.



12. Преместете дръжката от лявата страна на вратата в дясната страна.



13. Отворете врата и монтирайте рафтовете на вратата, след това затворете я.

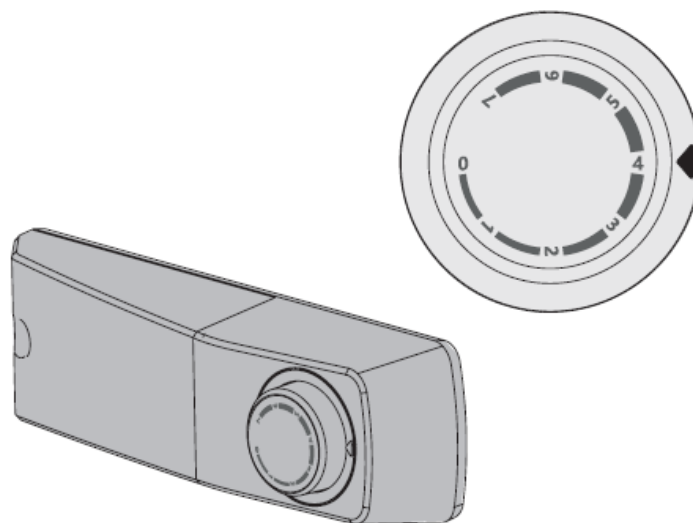
Предупреждение! Когато обръщате посоката за отваряне на вратата, уредът не трябва да бъде свързан към източника за хранване с електроенергия. За тази цел, изключете щепсела от източника за хранване с електроенергия.

Х. НАСТРОЙКА НА ТЕМПЕРАТУРАТА

Включване на уреда и регулиране на температурата

Включвайте щепсела на захранващия кабел в контакт със заземяване. Когато вратата на хладилника е отворена, светва крушката от вътрешната част на уреда. След поставяне на уреда на мястото, което е предназначено за него, изчакайте 5 минути преди да включите щепсела в източника на захранване. Не съхранявайте продукти в уреда, преди температурата във вътрешната част на уреда да е достатъчно ниска.

Бутонът за регулиране на температурата е разположен в страничната част на фризерното отделение.



Настройка „0“ означава:

Изключено.

Завъртете бутона по посока на часовниковите стрелки, за да включите уреда.

Настройка „1“ означава:

Настройка за най-високата температура.

Настройка „7“ (края на интервала за регулиране) означава:

Настройка за най-ниската температура.

Важно! За нормално функциониране Ви съветваме да изберете настройка „2“, „3“ или „4“. Ако желаете температурата да бъде по-висока или по-ниска, завъртете бутона към по-висока или по-ниска настройка, в зависимост от предпочитанията ви. Ако завъртите бутона към настройка за по-висока температура, можете да спестите повече електроенергия.

Важно! Високите околни температури (като тези през лятото) и избора на ниска температура (настройка „6“ или „7“) могат да предизвикат непрекъснато функциониране на компресора. Продуктът не може да се използва дълго време при това състояние.

Причина: Когато температурата на околната среда е висока, компресорът функционира непрекъснато, за да поддържа ниска температура във вътрешната част на уреда.

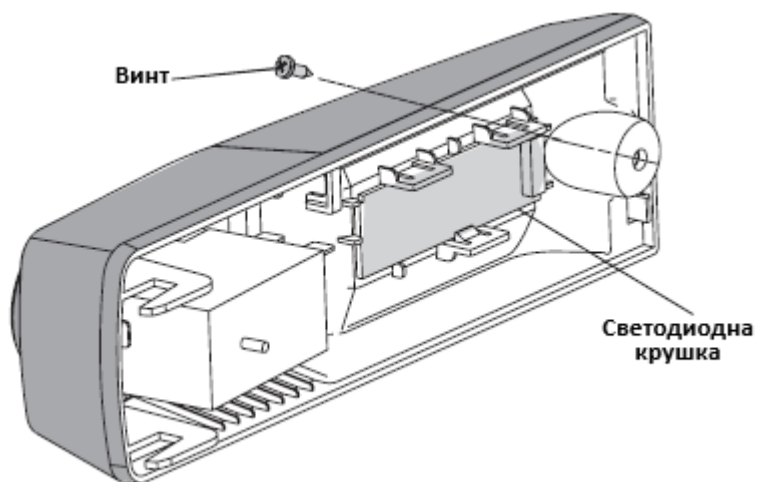
Смяна на светодиодната крушка



Предупреждение! Уверете се, че крушката не е изгоряла. Крушката не трябва да се сменя от потребителя.

Смяната на крушката от неопитни лица може да причини сериозни наранявания или неизправности. За да се избегнат опасности, трябва да се сменя от квалифицирани лица.

- Преди смяна на крушката спрете уреда и изключете го от източника на захранване или прекъснете общото захранване с електроенергия.
- Данни за светодиодната крушка: 220-240 V, MAX. 2W.
- Изключете щепсела от източника на захранване.
- За смяна на крушката, развийте винта.
- Сменете светодиодната крушка.
- Включете отново хладилника.



XI. ПРЕПОРЪКИ И ПОЛЕЗНИ СЪВЕТИ

Шумове по време на функциониране

Следните шумове са характерни за функционирането на хладилните уреди:

Тракания: Всеки път, когато се включва или изключва компресорът, се чува едно тракане.

Бръмчене: По време на функциониране компресорът бръмчи.

Бълбукане: Когато хладилният агент циркулира през тръбите, може да се чува бълбукане или шумолене.

Шумолене: Даже и след изключване на компресора, този шум може да се чува за кратко време.

Препоръки относно охлаждането на пресните храни

За получаване на оптимални постижения:

- Не съхранявайте в уреда топла храна или течности, които се изпаряват.
- Покрийте или опаковайте храните, особено ако образуват силни миризми.
- Поставайте храните по съответстващ начин, така че въздухът да може да циркулира свободно около тях.

Препоръки при охлаждане

- Месото (от всеки вид) се опакова в полиетиленово фолио и се поставя върху стъкления рафт, който се намира над чекмеджето за плодове и зеленчуци. За сигурност, съхранявайте месото по този начин само за един или най-много два дни.
- Готвени храни, колбаси и др.: Трябва да се покриват и да се поставят върху произволен рафт.
- Плодове и зеленчуци: Трябва да бъдат добре почистени и трябва да се поставят в чекмеджетата, предназначени за тях.
- Краве масло и сирена: Трябва да бъдат поставени в специални съдове, затворени херметически, или да бъдат увити в алуминиево фолио или в полиетиленови торбички, възможно най-плътно затворени.
- Бутилки с мляко: трябва да бъдат предвидени с капак и трябва да се съхраняват върху рафтовете на вратата.

За да избегнете заразяването на храни, спазвайте инструкциите по-долу.

- Ако вратата на уреда е оставена отворена за дълъг период от време, температурата в отделенията на уреда се увеличава значително.
- Почиствайте периодично повърхностите, които могат да влязат в контакт с храните, както и източващите системи на уреда.
- Съхранявайте суровото месо и прясната риба в подходящи съдове, така че продуктите да не влизат в контакт с други храни.
- Фризерните отделения с две звезди са подходящи за съхранение на предварително замразени храни, за съхранение или приготвяне на сладолед и за производство на кубчета лед.
- Отделенията с една, две и три звезди не са подходящи за замразяване на пресни храни.

Забележка: Моля, съхранявайте храните в подходящите отделения и при препоръчаните температури за съхранение.

- Ако хладилният уред ще бъде оставен празен за дълъг период от време, изключете го, размразете го, почистете го, избършете го добре и оставете вратата му отворена, за да се предотврати образуването на мухъл във вътрешността му.

Пореден номер	Тип на отделението	Препоръчвана температура за съхранение [°C]	Подходящи храни
1	Охлаждане	+2≤+6	Яйцата, готвените храни, пакетираните храни, плодовете и зеленчуците, млечните продукти, сладкишите и напитките не са подходящи за замразяване.
2	Пресни храни	0≤+4	Прясно свинско, говеждо, телешко и пилешко месо, готвена храна и др. (препоръчва се да се консумират в същия ден, за предпочитане до 3 дни)
3	Вино	+5≤+20	Червено вино, бяло вино, пенливо вино и др.

XII. ПОЧИСТВАНЕ И РАЗМРАЗЯВАНЕ НА ФРИЗЕРНОТО ОТДЕЛЕНИЕ

По хигиенни причини уредът (включително вътрешните аксесоари) трябва да се почиства редовно, най-малко един път на всеки два месеца.



Внимание! Опасност от пожар!

- Устройството не трябва да бъде включено към електрическата мрежа по време на почистване. Преди почистване спрете уреда и го изключете от контакта или изключете предпазителя или прекъсвача.

Важно!

- Преди почистването на уреда, извадете храната. Поставете ги на хладно място и ги покрийте добре.
- Никога не почиствайте устройството с парочистачка. Може да се събере влага в електрическите компоненти.
- Топлите пари могат да доведат до повреда на електрическите части.
- Етеричните масла и органичните разтворители могат да навредят на пластмасовите части, например ломоновият сок или сок от портокалова кора, маслена киселина, почистващи препарати, които съдържат оцетна киселина. Не допускайте подобни вещества да влизат в контакт с компонентите на устройството.
- Не използвайте абразивни почистващи препарати.
- Почиствайте устройството и вътрешността му с кърпа и топла вода. Могат да се използват търговски перилни препарати за миене на съдове.
- След почистване на уреда, изплакнете с чиста вода и го подсушете със суха кърпа.
- Натрупването на прах в кондензатора повишава разхода на енергия. Почиствайте кондензатора на гърба на устройството веднъж годишно с мека четка или с прахосмукачка.
- Проверявайте дренажния отвор за вода на стената зад хладилното отделение.
- Ако отворите за оттичане са запушени, отпушете ги с помощта на зелената пръчка. Използването на остри предмети може да доведе до повреда на уреда.
- След като всички компоненти са сухи, можете да включите устройството да работи.

Размразяване

Причина за размразяване

- Влагата, произхождаща от храните или от въздуха, която прониква в уреда вследствие на отваряне на вратите, може да доведе до образуване на леден слой във вътрешната част на уреда. Когато леденият слой е дебел, охлаждащата мощност на уреда е ниска. Размразяването е наложително, когато дебелината на ледения слой надвишава 10 мм.

Размразяване на отделението за пресни храни

- Това се контролира се автоматично, като не се изисква никаква операция за тази цел. Получената вода от размразяването достига през изпускателна тръба до тавата за събиране на вода, разположена в задната страна на уреда.

Дълги периоди на неупотреба

- Извадете храните от уреда.
- Изключете уреда чрез завъртане на терморегулатора на позиция „0”.
- Извадете щепсела от контакта или прекъснете общото захранване с електроенергия.
- Почистете добре уреда (вижте раздел „Почистване и поддръжка”).
- За да се избегне излъчването на неприятна миризма, оставете вратата отворена.

Забележка: Ако уредът е оборудван с фризерно отделение.

XIII. ОТСТРАНЯВАНЕ НА ПРОБЛЕМИ

Предупреждение! Преди да отстраните повредите, извадете щепсела от контакта. Техническите проблеми, които не са представени в този наръчник, могат да бъдат отстранени само от квалифициран електротехник.

Важно! По време на нормална употреба, може да чувате шумове (компресорът, циркулация на охлаждащата течност).

Важно! Ремонтите могат да се извършват само от квалифицирани сервизни техници. Неправилните ремонти могат да доведат до появата на рискове за потребителя. Ако Вашето устройство трябва да бъде ремонтирано, моля свържете се с доставчика или с Вашият местен център за поддръжка.

Проблем	Възможна причина	Решение
Уредът не функционира.	Устройството не е включено.	Включете устройството.
	Щепсела не е включен в контакта или е хлабав.	Включете щепсела в контакта.
	Предпазителят е изгорял или е повреден.	Проверете предпазителя. Ако е необходимо, сменете го.
	Електрическият контакт е повреден.	Повредите на източника за захранване с електроенергия трябва да се отстраняват от електротехник.
Устройството охлажда прекалено много.	Настроената температура е твърде ниска.	Завъртете временно бутон за регулиране към по-ниска позиция
Храните са твърде топли.	Температурата не е настроена правилно.	Моля прочетете главата относно настройката на температурата.
	Вратата е била оставена отворена за дълъг период от време.	Не дръжте вратата отворена повече време отколкото е необходимо.
	През последните 24 часа е било поставено в уреда голямо количество топли храни.	Завъртете временно бутон на регулатора към по-горна позиция.
	Уредът се намира до източник на топлина.	Моля прочетете главата относно мястото за инсталиране на уреда.
Вътрешната крушка не работи.	Крушката е повредена.	Моля прочетете раздел „смяна на вътрешната крушка“.
Образува се много лед, възможно и по уплътнението на вратата.	Уплътнението на вратата не е плътно (възможно след промяна на посоката на вратата).	Загрейте внимателно местата, където уплътнението на вратата не прилепва, с помощта на сешоар (на не много висока температура). В същото време оформете затопленото уплътнение, така че то да прилепне правилно.
Необичайни шумове.	Устройството не е нивелирано.	Регулирайте крачетата на устройството.
	Уредът контактува със стената или с други предмети.	Преместете леко уреда.
	Една компонента (например тръба на уреда) контактува с друга част на уреда или със стената.	Ако е необходимо, сгънете внимателно компонентата, така че да не докосва вече нищо.
Компресорът не се включва веднага след промяна в настройките на температурата.	Това е нормално, няма никаква повреда в устройството.	Компресорът ще се включи след определено време.
Вода на пода или на рафтовете за съхранение.	Дренажният отвор за вода е блокиран.	Прочетете раздел „почистване и поддръжка“.

СЕРВИЗ И ОБСЛУЖВАНЕ НА КЛИЕНТИ

Използвайте само оригинални резервни части.

Когато се свързвате с нашия оторизиран сервизен център, уверете се, че имате под ръка следната информация: Наименование на модела и сериен номер.

Информацията може да бъде намерена на табелката с технически данни. Те подлежат на промяна без предварително уведомление.

ТЕХНИЧЕСКИ ДАННИ

Техническата информация се намира на табелката с технически данни на уреда и на енергийния етикет.

QR кодът на енергийния етикет, предоставен заедно с уреда, предлага уеб връзка към информацията в базата данни на EPREL относно постиженията на уреда.

Запазете енергийния етикет за бъдещи справки, заедно с ръководството за употреба и с всички други документи, предоставени заедно с този уред.

Също така, можете да намерите същата информация в базата данни на EPREL, като използвате връзката **https: // eprel.ec.europa.eu** и наименованието на модела и серийния номер на продукта, които можете да намерите на табелката с технически данни на уреда.

За достъп до информация за вашия продукт в портала EPREL можете да сканирате кодовете по-долу:



Благодарим ви, че закупихте този продукт! Ако имате нужда от помощ във връзка с вашия продукт, посетете нашия уебсайт, като използвате връзките по-долу:

Получете ръководства за употреба: <https://www.heinner.ro>

Получете информация относно ремонтите: <https://www.heinner.ro>



Изхвърляне на отпадъците по начин, отговорен за околната среда

Можете да помогнете за опазването на околната среда!

Моля спазвайте местните разпоредби: Предайте нефункциониращото електрическо оборудване на център за събиране на отпадъци от електрическо оборудване.



HEINNER е регистрирана марка на компанията **Network One Distribution SRL**. Останалите търговски марки и наименованията на продуктите са търговски марки или регистрирани търговски марки на съответните им притежатели.

Нито една част от спецификациите не може да бъде възпроизвеждана под каквато и да е форма или средство, или използвана за получаване на производни като преводи, трансформации или адаптации, без предварителното съгласие на компанията NETWORK ONE DISTRIBUTION.

Copyright © 2013 Network One Distribution. Всички права запазени.

www.heinner.com, <http://www.nod.ro>

<http://www.heinner.com>, <http://www.nod.ro>



Този продукт е проектиран и произведен в съответствие със стандартите и нормите на Европейската общност.

Вносител: **Network One Distribution**

ул. Марчел Янку № 3-5, Букурещ, Румъния

Tel: +40 21 211 18 56, www.heinner.com, www.nod.ro

HEINNER

HŰTŐSZEKRÉNY

Modell: HF-HS250E++



- Hűtőszekrény
- Energiaosztály: E
- Teljes térfogat: 242 L

Köszönjük, hogy ezt a terméket választotta!

I. BEVEZETÉS

Kérjük, figyelmesen olvassa el az utasításokat, és őrizze meg a kézikönyvet későbbi tanulmányozás céljából.

A kézikönyv célja a készülék beszerelésével, használatával és karbantartásával kapcsolatos minden szükséges tudnivalót rendelkezésére bocsátani. A készülék helyes és biztonságos használata érdekében, kérjük, hogy beszerelés és használat előtt olvassa el figyelmesen a használati kézikönyvet.

II. AZ ÖN CSOMAGJÁNAK TARTALMA



- **Hűtőszekrény**
- **Használati útmutató**
- **Jótállási bizonylat**

III. BIZTONSÁGI FIGYELMEZTETÉSEK

Az ön biztonsága és a helyes használat érdekében a készülék felállítása és első használata előtt olvassa el figyelmesen a felhasználó kézikönyvét, az ajánlásokkal és figyelmeztetésekkel együtt. A főleges tévedések és balesetek elkerülése érdekében fontos meggyőződni arról, hogy minden személy, aki a készüléket használja, ismeri a biztonságos működés módját és a biztonsági intézkedéseket. Őrizze meg ezt a kézikönyvet, és gondoskodjon arról, hogy a készülékkel együtt marad, ha azt elköltöztetnék vagy eladnák, s ily módon bárki használná az élettartama alatt, megfelelőképpen tájékozódhasson a használatáról és a szükséges biztonsági intézkedésekről.

Életének és vagyonának biztonsága érdekében tartsa be a használati kézikönyv előírásait, mivel a mulasztásokból származó károkért a gyártó nem felel.

A gyermekek és más érzékeny személyek biztonsága

- Az EN szabványnak megfelelően: A készüléket 8 év fölötti gyermekek, csökkent fizikai, érzéki vagy szellemi képességekkel, gyakorlattal vagy ismeretekkel rendelkezők csak akkor használhatják, ha felügyelik, vagy felkészítik őket a készülék biztonságos használatára, és ha megértik a készülék használatával járó veszélyeket. Tilos gyermekeknek játszani a készülékkel. A készülék tisztítását és karbantartását nem végezhetik gyermekek felügyelet nélkül.
- A 3 éves kort betöltött gyermekek kivehetnek és betehetnek élelmiszereket a hűtőszekrénybe.
- Az IEC szabványnak megfelelően: A készülék nem használható csökkent értelmi, érzékszervi, vagy fizikai képességű személyek által (gyermekeket is beleértve), vagy olyanok által, akik nem rendelkeznek a kellő mennyiségű tudással és tapasztalattal, csak felügyelet mellett, vagy ha a felügyeletért és a biztonságukért felelős személy megtanította őket a helyes használatra.
- A gyerekek esetében állandó felügyelet szükséges, ne engedje, hogy a készülékkel játsszanak.
- A csomagolást tartsa gyermekektől elzárt helyen. Vigyázat, fulladásveszély!
- Hogy elkerülje a gyerekek bezáródását a készülék belsejébe, vagy áramütés elszenvedését, mielőtt kidobná a készüléket, húzza ki az aljzatból, vágja le az áramellátó kábelt (minél közelebb a készülékhez) és szerelje le a készülék ajtaját.
- Ha ez a mágneses ajtóval ellátott készülék, olyan régi készüléket helyettesít, amelynek ajtója, vagy fedele rugóval (retesszel) működik, mielőtt kidobná, bizonyosodjon meg, hogy a rugós rendszer használhatatlan. Így megelőzi, hogy a gyermekek bezáródjanak az eldobott hűtőszekrénybe.

Általános biztonsági intézkedések

FIGYELMEZTETÉS! Ezt a készüléket lakásokban és más hasonló egységekben való használatra gyártották:

- üzletek, irodák és más munkahelyek személyzetének konyhája;
- háztartási és szállodák, motelek és más hasonló tartózkodási hely típusú környezet;
- reggelit is felszolgáló panzió típusú környezet;
- catering típusú és ehhez hasonló, nem kereskedelmi alkalmazások.

FIGYELMEZTETÉS! Ne tároljon a készülékben robbanó anyagokat, mint például aeroszolos gyúlékony üzemanyagot tartalmazó sprayeket.

FIGYELMEZTETÉS! A veszély elkerülése érdekében, amennyiben a tápkábel sérült, ezt ki kell cseréltetni a gyártó, a gyártó szervizügynöke, vagy hasonló szakképesítéssel rendelkező személy által.

FIGYELMEZTETÉS! Ellenőrizze, hogy a hűtőszekrény szellőzőnyílásai szabadon álljanak.

FIGYELMEZTETÉS! Leolvasztáshoz kizárólag a gyártó által ajánlott módszereket használja, ne használjon gépi vagy más eszközt a leolvasztás gyorsítására.

FIGYELMEZTETÉS! Ne sértse meg a hűtőfolyadék keringési rendszerét.


FIGYELMEZTETÉS! Ne használjon elektromos eszközöket készülék élelmiszertároló rekeszeiben, kivéve, ha azok a gyártó által ajánlott típusba tartoznak.

FIGYELMEZTETÉS! A hűtőanyag és a szigetelőgáz gyúlékony. A készüléket csak hivatalos hulladékgyűjtő központba vigye kiselejtezéskor. Ne égesse el a készüléket.

FIGYELMEZTETÉS! A berendezés elhelyezése során figyeljen arra, hogy a tápkábelt ne nyomja össze és ne rongálja meg.

FIGYELMEZTETÉS! Ne helyezzen a berendezés mögé elosztókat vagy hordozható áramforrásokat.

FIGYELMEZTETÉS! Csomagolja be az élelmiszereket tasakokba, és a folyadékokat palackokba vagy lefedett tárolóedényekbe, mielőtt behelyezné őket a hűtőszekrénybe, hogy elkerülje a szennyeződést a készülék belsejében.

A  szimbólum figyelmeztet arra, hogy a hűtőközeg és a szigetelő gáz gyúlékony.



FIGYELEM! Tűzveszély!

A mélyhűtő körfolyam meghibásodása esetén:

- Kerülje a nyílt láng használatát és a tűzforrásokat.
- Alaposan szellőztesse ki a helyiséget, amelyben a készülék található.

Égők cseréje

FIGYELMEZTETÉS - Az égőket ne a felhasználó cserélje ki! Amennyiben az égők meghibásodnak, cseréjük érdekében forduljon szakképzett személyekhez. Ez a figyelmeztetés csak az égőkkel felszerelt hűtőkre vonatkozik.

Hűtőfolyadék

A készülék hűtőfolyadék rendszere R600a (izobután) hűtőfolyadékot tartalmaz, amely egy természetes gáz, magas szintű környezeti kompatibilitással, de gyúlékony. Győződjön meg, hogy szállítás és felállítás idején a hűtőfolyadék keringési rendszerének egyetlen eleme sem rongálódott meg. A hűtőfolyadék (R600a) gyúlékony.

FIGYELMEZTETÉS! A hűtőszekrények hideghordozó közeget és veszélyes gázokat tartalmaznak. A hideghordozó közeget és a gázokat megfelelő módon kell eltávolítani, mert ezek szemsérüléseket okozhatnak vagy meggyúlhatnak. A készülék mozgatása előtt győződjön meg róla, hogy a hűtőkör csövezete nem sérült.

A mélyhűtő körfolyam meghibásodása esetén:

- Kerülje a nyílt láng használatát és a tűzforrásokat.
- Alaposan szellőztesse ki a helyiséget, amelyben a készülék található.

A készülék jellegzetességeinek bármely megváltoztatása vagy módosítása veszélyes.

A tápkábel bármely megrongálódása rövidzárlatot, tüzet és/vagy áramütést okozhat.

Elektromos biztonság

1. Ne hosszabbítsa meg a tápkábelt.
2. Győződjön meg, hogy a dugó nem zúzódott össze és nem rongálódott meg. Az összezúzott vagy megrongálódott dugó túlhevülhet, és kigyulladhat.
3. Győződjön meg, hogy mindig hozzáférhet a tápkábelhez.
4. Ne rángassa a tápkábelt.
5. Ha meglazult az aljzat, amelybe a dugót be kell dugni, ne használja. Áramütés- és tűzveszély léphet fel.
6. A készüléket ne használja, ha a hűtőteret világító izzólámpa nem működik.
7. A készülék áramellátását egyfázisú váltakozó áramú 220-240V/50Hz-es villamosenergia hálózatról kell biztosítani. Amennyiben a felhasználó lakhelyén a feszültség értéke nem esik a fenti feszültség tartományba, a biztonsági előírásoknak való megfelelés céljából egy automata 350 W-nál nagyobb teljesítményű AC feszültségszabályozó berendezés használatát javasoljuk. A berendezést külön aljzatról kell működtetni, nem olyanról, amelyhez már más elektromos berendezések is csatlakoznak. A dugasznak kompatibilisnek kell lennie a földeléses aljzattal.

IV. MINDENNAPOS HASZNÁLAT

- A készülékben ne tároljon gyúlékony gázokat vagy folyadékokat. Robbanásveszély!
- A készülék belsejében ne használjon elektromos készülékeket (pl. elektromos fagylaltgépet vagy mixert stb.)
- Ha ki akarja húzni a konnektorból, mindig a dugót fogja, ne rángassa a kábelt.
- A készülék műanyag komponensei mellé ne helyezzen forró tárgyakat.
- Ne helyezzen élelmiszereket a légelvezető nyílás közvetlen közelébe, amely a berendezés belsejében, annak hátsó falán található.
- A fagyott élelmiszert az élelmiszergyártó utasításainak megfelelően előcsomagolva tárolja.
- Szigorúan tartsa be a készülék gyártójának a tárolásra vonatkozó ajánlásait. Tanulmányozza a tárolásra vonatkozó utasításokat.
- A mélyhűtőben ne tároljon szénsavas italokat, mivel ez nyomást gyakorol az edényre, amely elrobbanhat, és megrongálhatja a készüléket.
- A fagyasztott élelmiszerek fagyási sérülést okozhatnak, ha közvetlenül a mélyhűtőből kivéve fogyasztja.
- Ne tegye ki a készüléket közvetlen napsugaraknak.
- A gyertyákat, a nyílt lángú lámpákat és egyéb készülékeket tartsa minél távolabb a készüléktől, hogy ne gyúljon meg.
- A készüléket szokványos háztartásban élelmiszerek és/vagy italok tárolására gyártották, amint ezt ez a használati kézikönyv előírja. A készülék súlyos. Vigyázzon, amikor költözteti.
- Ne nyúljon nedves/vizes kézzel a fagyasztott termékekhez, mert fagyégési sebeket, vagy bőrkárosodást szenvedhet.
- Sose ne használja a fiókokat, az ajtókat stb. arra a célra, hogy ráálljon vagy posztamensként.
- A kiolvasztott élelmiszereket ne fagyassza le újra.
- Ne fogyasszon fagylaltot vagy jégkockát közvetlenül a mélyhűtőből, mert előidézheti a száj és az ajkak fagyási sérülését.
- A tárgyak leesését, illetve a személyi sérüléseket vagy a berendezés megrongálódását elkerülendő, ne terhelje túl az ajtón található polcokat, továbbá ne helyezzen túl sok élelmiszert a zöldség és gyümölcs tárolására alkalmas fiókokba.
- Ez a hűtőkészülék nem beépített készülékként használható.
- Ez a hűtőkészülék nem alkalmas élelmiszerek fagyasztására

V. TISZTÍTÁS ÉS KARBANTARTÁS

- A karbantartási műveletek előtt kapcsolja ki a készüléket és húzza ki az aljzatból a dugót.
- Ne tisztítsa a készüléket fémtárgyakkal, gőzzel működő tisztító készülékekkel, illó olajokkal, szerves oldószerekkel vagy súrló hatású porokkal.
- A jégnek a készülékről való eltávolításához ne használjon éles tárgyakat. Használjon műanyagkaparót.

VI. BESZERELÉS

- A berendezésnek az elektromos hálózatra való csatlakoztatása során szigorúan kövesse jelen kézikönyv erre vonatkozó utasításait.
- Csomagolja ki a készüléket, ellenőrizze, hogy nem sérült-e a szállítás során.
- Ha a készülék sérült, ne csatlakoztassa az áramforráshoz. Ha a készülék sérült, az esetleges sérüléseket jelentse azonnal a forgalmazónak, ahonnan a készüléket vásárolta. Ebben az esetben őrizze meg a csomagolást.
- Javasoljuk, hogy a készülék villamos hálózatra csatlakoztatása előtt várjon legalább négy órát, hogy az olaj folyjon vissza a kompresszorba.
- A készülék körül a levegőnek szabadon kell keringenie; szellőzés hiányában a készülék túlhevülhet. A megfelelő szellőzés érdekében tartsa be a szerelési utasításokat.
- A berendezés hátsó része ne legyen túlságosan közel a falhoz, hogy elkerülhető legyen az érintkezés a felforrósodó alkatrészekkel, illetve ezek becsípődése (kompresszor, kondenzátor). A balesetek kockázatának elkerülése érdekében kövesse figyelmesen a berendezés üzembe helyezésére vonatkozó utasításokat.
- A készüléket ne helyezze fűtőtestek vagy tűzhelyek közelébe.
- Győződjön meg, hogy a dugóhoz a készülék beszerelését követően is hozzá lehet férni.

VII. JAVÍTÁS ÉS ENERGIATAKARÉKOSSÁG

Javítások

- A készülék javításával kapcsolatos elektromos munkákat szakképzett villanyszerelőnek vagy szakmailag illetékes személynek kell elvégeznie.
- A készüléket engedélyezett szervizben kell javíttatni, és kizárólag eredeti pótalkatrészeket kell használni.

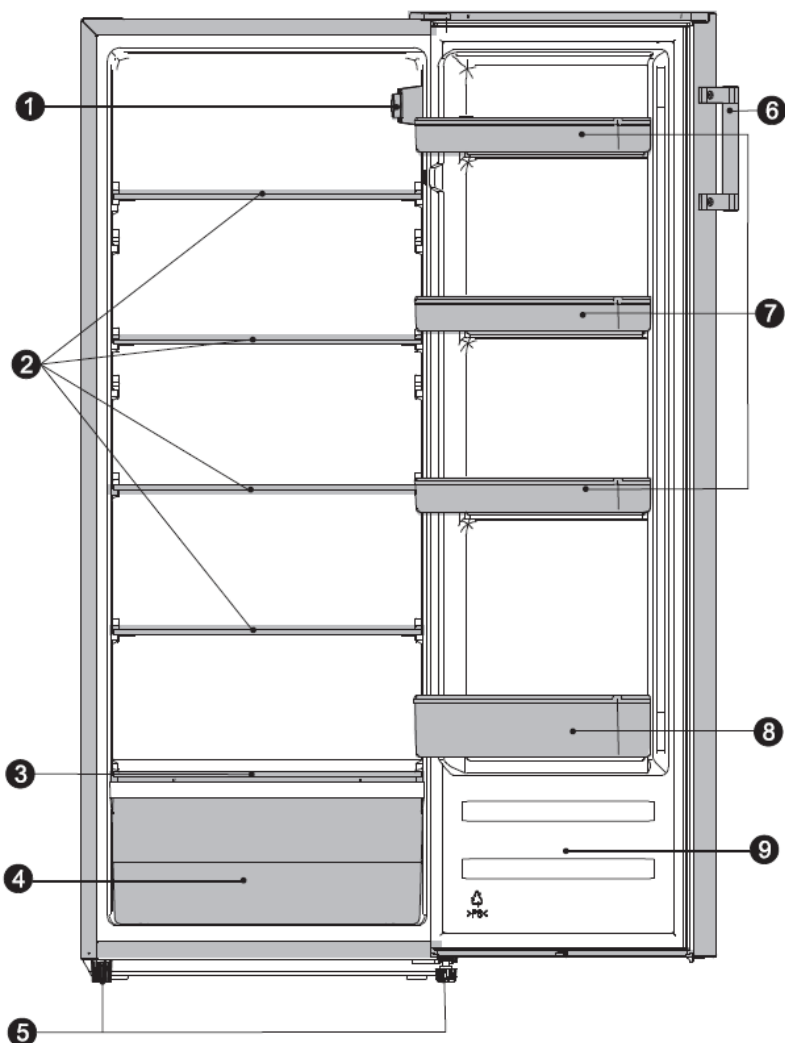
Ha a készülék rendelkezik No Frost rendszerrel.

Ha a készülék rendelkezik fagyasztótérrel.

Energiatakarékosági tanácsok

- Ne állítsa a készüléket tűzhely, fűtőtest vagy más hőforrás közelébe.
- Ne nyissa túl gyakran az ajtót, és ne hagyja nyitva a szükségesnél hosszabb ideig. Ne állítsa a készüléket a szükségesnél alacsonyabb hőfokra.
- Vigyázzon arra, hogy a hűtőszekrény hátsó és oldalsó része megfelelő távolságra legyen a faltól, kövesse az erre vonatkozó utasításokat.
- Ha a rajzon megfelelő a fiókok és polcok elhelyezése, ne rendezze át azokat, mert magasabb energiafogyasztást eredményezhet.

VIII. A TERMÉK LEÍRÁSA



1. Vezérlő panel és LED égő
2. Hűtőszekrény polca
3. A zöldségtároló fiók teteje
4. Zöldségtároló fiók
5. Állítható lábak

6. Fogantyú
7. Ajtó felső polc
8. Ajtó alsó polc
9. Hűtő rekesz ajtaja

Megjegyzés:

- Tekintettel arra, hogy a termékeket folyamatosan alakítjuk, az Ön hűtőszekrénye enyhén eltérhet a jelen használati útmutatóban leírtaktól, de a funkciói és a használati mód változatlan marad.
- Annak érdekében, hogy ennek a terméknek minél nagyobb hatékonyságot biztosítson, kérjük, a polcokat és a fiókokat a fenti ábrán jelölt módon helyezze el.

IX. ÜZEMBE HELYEZÉS

Használat előtti tisztítás

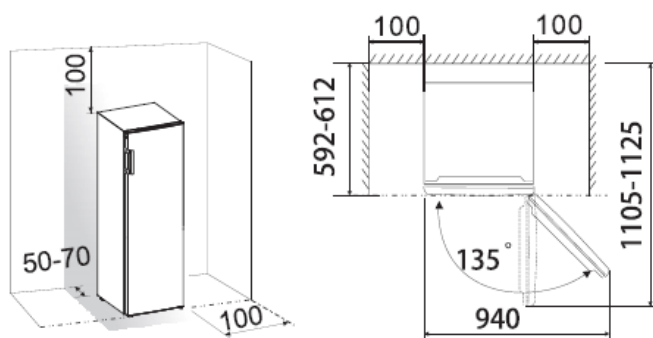
Mielőtt először használná, törölje le a készülék belsejét és minden belső tartozékát langyos vízzel és semleges tisztítószerrel, hogy elűzhesse az új termékekre jellemző szagot, majd jól szárítsa ki a készüléket.

Fontos! Ne használjon maró hatású vegyszereket, mert ezek károsítják a készülék felületeit.

A készülék szellőztetése

A hűtőszekrény környezetében biztosítsa a megfelelő szellőzést a keletkező hő távozásának megkönnyítése érdekében, így a készülék kiváló hatékonysággal és alacsony villamos energia-fogyasztás mellett fog működni. Ennek érdekében elegendő szabad helyet kell biztosítani a hűtőszekrény körül.

Javasolt távolságok: 50-70 mm távolság a készülék háta és a hátsó fal között, legkevesebb 100 mm szabad hely oldalirányban, 100 mm-nél nagyobb távolság a hűtőszekrény teteje és a mennyezet között, valamint akkora szabad hely a hűtőszekrény előtt, amekkora elegendő ahhoz, hogy az ajtók 135°-ban nyithatók legyenek. Tanulmányozza az alábbi ábrákat.



Megjegyzés: Ez a készülék az alábbi táblázatban feltüntetett N-ST klímaosztályokon működik megfelelően. Megtörténhet, hogy a hűtőszekrény nem működik megfelelőképpen, ha hosszabb ideig a megjelölt értékek alatti vagy feletti hőmérsékletű környezetben van.

Klímaosztály	Környezeti hőmérséklet
SN	+10 °C-tól +32 °C-ig
N	+16 °C-tól +32 °C-ig
ST	+16 °C-tól +38 °C-ig
T	+16 °C-tól +43 °C-ig

A készüléket száraz, nedvességtől mentes helyre állítsa üzembe.

A készüléket ne tegye ki a nap sugarainak, esőnek vagy fagynak. Készülékét helyezze minél távolabb a hőforrásoktól: kályháktól, fűtőtestektől.

A készülék kiegyensúlyozása

A készülék megfelelő kiegyensúlyozásához, illetve a készülék mögötti térben a levegő megfelelő áramlásához szükséges lehet a készülék lábainak beállítása.

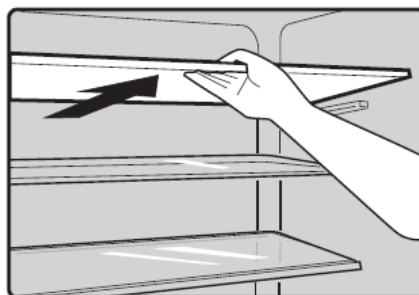
A hűtőszekrény lábainak beállítása elvégezhető kézzel is vagy egy megfelelő kulccsal. Annak érdekében, hogy az ajtók maguktól becsukódjanak, döntse meg a készüléket hátrafele hozzávetőlegesen 10 mm-re.

Tartozékok

Eltávolítható polcok/rekeszek

Az Ön készüléke különböző, üveg, műanyag vagy fém polcokkal van ellátva; a polcok típusa és jellemzői modellenként eltérőek.

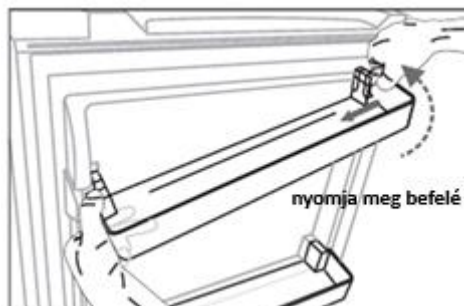
A hűtőszekrény falai támasztókarokkal vannak ellátva, hogy a polcokat a kívánt beállítás szerint lehessen elhelyezni.



Az ajtó polcainak eltávolítása, illetve beszerelése

Figyelmeztetés: A polcok felszerelése, illetve eltávolítása nem a felhasználó illetékességi körébe tartozó művelet! Ha az ajtó polcai meg vannak rongálódva, forduljon szakemberhez. Az ajtó polcainak cseréjéhez az alábbi lépéseket kell követni:

Az ajtón levő polcok eltávolítása



Nyomja meg az ajtó polcának belső részét jobbfelől, miközben annak baloldali részét szilárdan tartja. Az ajtó polc bordázatának eltávolítása után a polcot emeléssel lehet eltávolítani.

Az ajtón levő polcok beszerelése



Először billentse el a polc bal oldalát, és győződjön meg, hogy a polc bordázatát az ajtóhoz rögzíti. Ezután nyomja befelé a jobb oldali részét, és nyomja le, amíg a helyére nem kattan.

A hűtő rekesz

Ez a rekesz olyan élelmiszerek tárolására szolgál, amelyek nem igényelnek fagyasztást, és alkalmas a különböző méretű élelmiszerek és tárolóedények tárolására.

Zöldségtároló fiók

Ez a fiók a gyümölcsök és zöldségek tárolására szolgál.

Az ajtó nyitási irányának megfordítása

Az ajtó nyitásának iránya megváltoztatható, áttérhetünk a gyárilag szerelt jobbra nyílásról a balra nyílásra, ha a készülék elhelyezése ezt megkívánja.

Figyelmeztetés! Ha az ajtó nyitási irányát meg akarja változtatni, szerelés közben ne legyen a készülék áramforráshoz csatlakoztatva. Győződjön meg róla, hogy a csatlakozó ki van húzva az aljzatból.

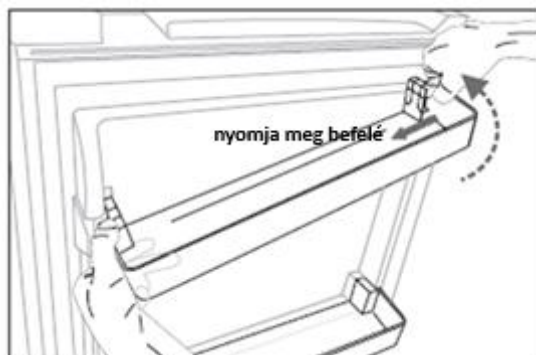
A következő eszközökre lesz szüksége:

Nem tartozék		
		
8 mm-es csőkulcs	Lapos csavarhúzó	Spakni
		
Csillagszavarhúzó	Franciakulcs	8 mm-es villás kulcs
Kiegészítő alkatrészek (műanyag zacskóba)		
		
Bal oldali zsanér fedője		

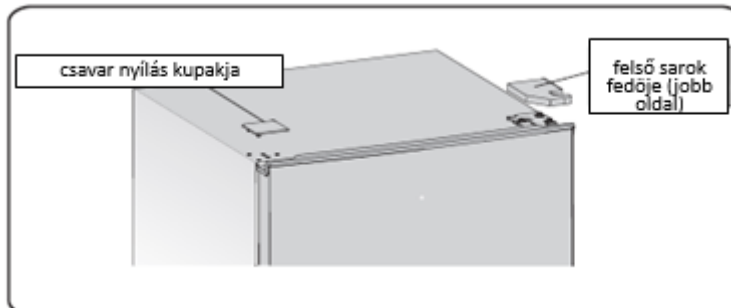
Megjegyzés: Mielőtt hozzátána, annak érdekében, hogy a készülék aljához is hozzáférjen, fedesse a készüléket a hátára, de előtte tegyen alája poliszteren vagy más hasonló összetételű csomaglóanyagot, így elkerülhető, hogy megsérüljenek a készülék hátoldalán levő alkatrészek.

Az ajtó nyitási irányának megváltoztatásához az alábbi lépések szerinti cselekvést ajánljuk:

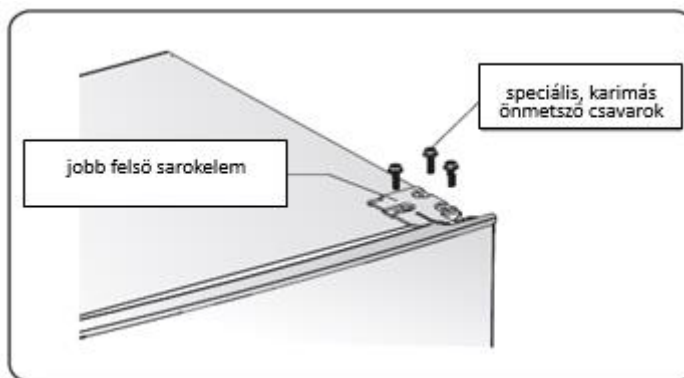
1. Állítsa a hűtőszekrényt lábra. Nyissa ki az ajtót, távolítsa el az ajtón levő polcokat (a sérülések elkerülése érdekében), majd csukja be az ajtót.



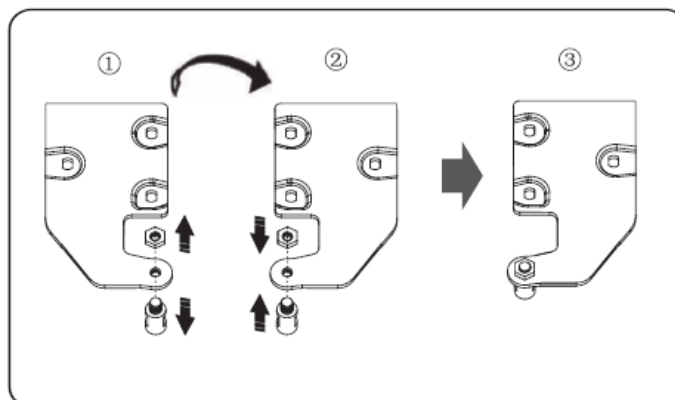
2. A készülék bal felső sarkában található nyílás dugóját távolítsuk el egy spatulával vagy egy sima csavarhúzóval, majd csavarozza ki a felső sarok kupakját, amely a készülék jobb felső sarkában található.



3. Egy 8 mm-es csőcsavarhúzó vagy csőkulcs segítségével, csavarozza ki a speciális, karimás önmetsző csavarokat, melyek a jobb felső sarkat tartják (kérjük a felső ajtót támassza a kezével e művelet alatt).

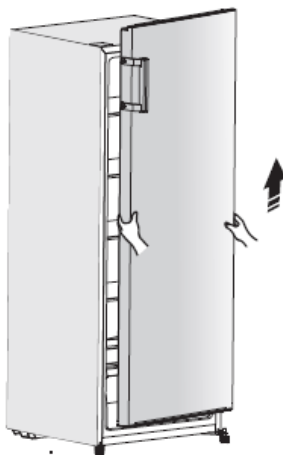


4. Vegye ki a felső zsanér tengelyét, tegye át a túloldalra és rögzítse jól.

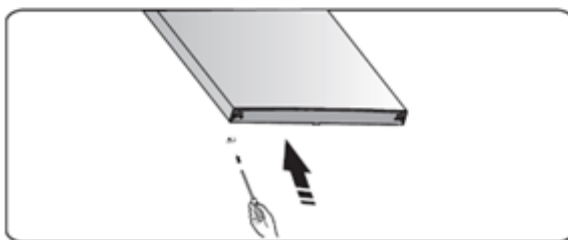
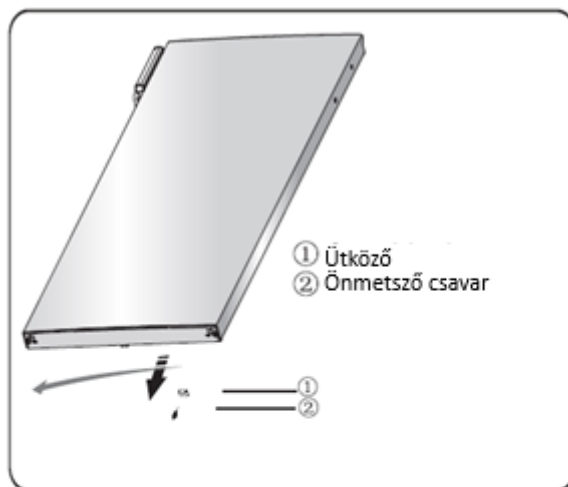


5. Vegye le az ajtót az alsó sarokról.

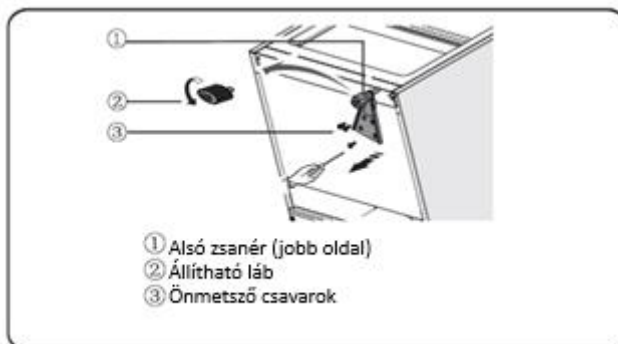
Megjegyzés: Amikor az ajtót leveszi a helyéről, figyeljen, hogy ne maradjanak az ajtóhoz ragadva az ajtó középső és a fagyasztó rész alsó felén levő zsanérjának alátétjei. Ne veszítse el ezeket.



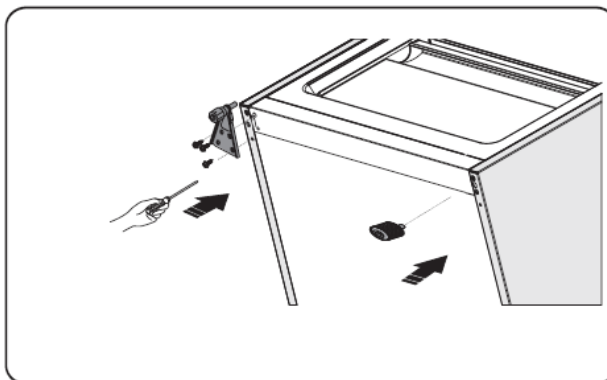
6. Az ajtót helyezze egy sima felületre a panel résszel felfelé. Távolítsa el a csavart (2) és az (1) alkatrészt, majd szerelje fel a bal oldalra és rögzítse szorosan.



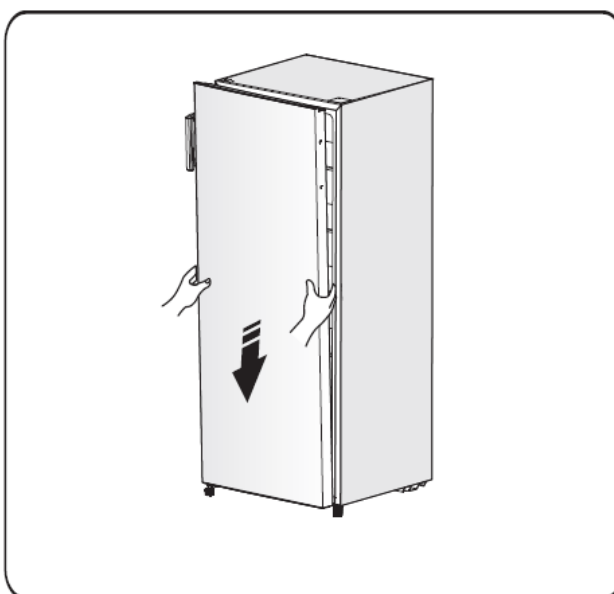
7. Helyezze a hűtőszekrényt valami lágy csomagolóanyagra vagy valamilyen ehhez hasonló más anyagra. Szerelje le mindkét állítható lábat, majd távolítsa el az alsó zsanért a speciális, karimás önmetsző csavarok kicsavarozásával.



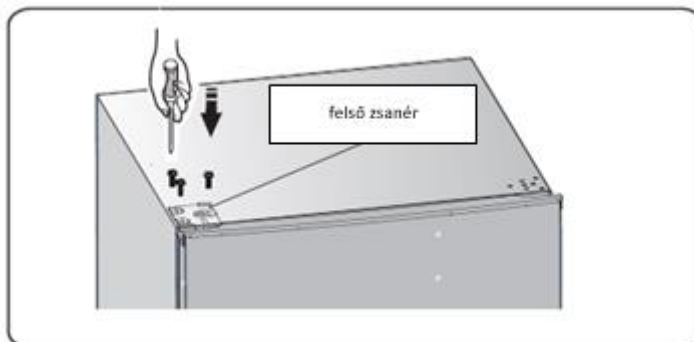
8. Helyezze át az alsó zsanért a bal oldalra és rögzítse a speciális, karimás önmetsző csavarok segítségével. Állítsa be az állítható lábakat az ellenkező oldalon és rögzítse.



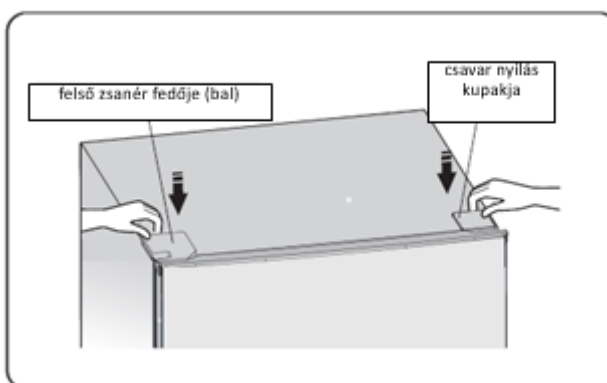
9. Helyezze el az ajtót a megfelelő pozícióba, a zsanér tengelyét helyezze be az ajtó alsó nyílásába.



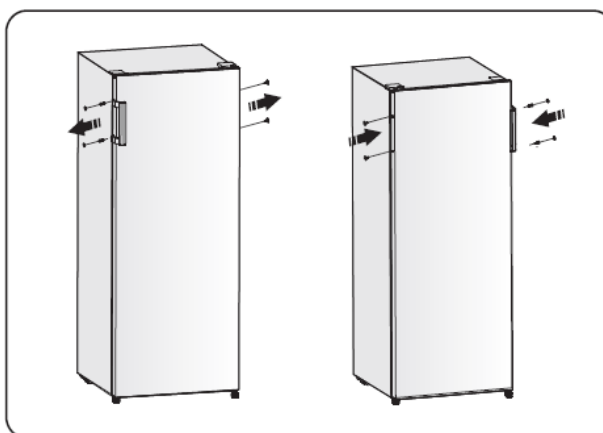
10. Helyezze át a felső zsanért és helyezze be a tengelyét az ajtó felső nyílásába, majd állítsa be az ajtó pozícióját (kérjük, támassza meg a kezével az ajtót e művelet közben), rögzítse a felső zsanért a speciális, karimás önmetsző csavarok segítségével.



11. Szerelje fel a készülék jobb felső sarkánál levő nyílás fedelét. Szerelje fel a felső zsanér födelét (a műanyag zacskóban találja) a bal oldali sarokra és csavarokkal rögzítse. Tegye a felső zsanér födelét a műanyag zacskóba.



12. Helyezze át az ajtó bal oldaláról az ajtó jobb oldalára a fogantyút.



13. Nyissa ki az ajtót és helyezze vissza az ajtó polcait, majd csukja be.

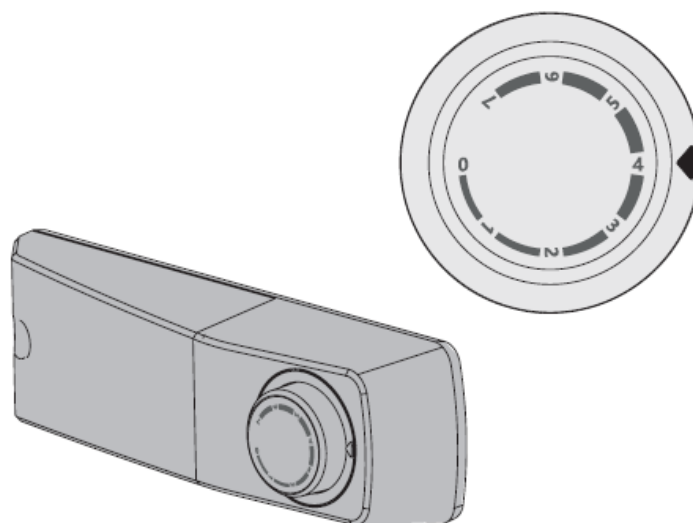
Figyelmeztetés! Ha az ajtó nyílási irányát meg akarja változtatni, szerelés előtt a készüléket csatlakoztassa le az áramforrásról. Ennek érdekében húzza ki a készüléket a fali csatlakozóaljzatból.

X. A HŐMÉRSÉKLET BEÁLLÍTÁSA

A berendezés működésbe hozatala és a hőmérséklet szabályozása

Csatlakoztassa a dugaszt egy földeléses fali csatlakozó aljzathoz. Ha a hűtőszekrény ajtója nyitva van, a készülék belsejében levő világítótest világítani kezd. Miután elhelyezte a készüléket a kívánt helyre, várjon 5 percet, mielőtt a dugót csatlakoztatja az áramforráshoz. Ne tároljon termékeket a készülékben, mielőtt a készülék belsejében lévő hőmérséklet nem megfelelően alacsony.

A hőmérsékletet szabályzó gomb a fagyasztó fülke oldalsó részén található.



A „0” állás jelentése:

Kikapcsolva.

Fordítsa el a gombot az óramutató járásával megegyező irányban, a készülék bekapcsolásához.

A „1” állás jelentése:

A legmagasabb hőmérsékletre való beállítás.

A „7” állás (a beállítási tartomány végpontja) jelentése:

A legalacsonyabb hőmérsékletre történő beállítás.

Fontos! A normális működés érdekében kérjük, válassza a 2, 3 vagy 4 beállítást. Amennyiben azt óhajtja, hogy a hőmérséklet értéke magasabb vagy alacsonyabb legyen, fordítsa el a gombot egy felső vagy alsó állás irányába. Amennyiben magasabb hőmérsékletnek megfelelő állásba fordítja át a gombot, több villamos energiát tud megtakarítani.

Fontos! A magas környezeti hőmérséklet (például nyáron) és az alacsony hőmérséklet kiválasztása (6. vagy 7. pozíció) a kompresszor folyamatos működését okozhatja. A terméket ebben az állapotban hosszú ideig nem lehet használni.

Indok: ha a környezeti hőmérséklet magas, a kompresszor folyamatosan működik, hogy alacsony hőmérsékletet tartson a készülék belsejében.

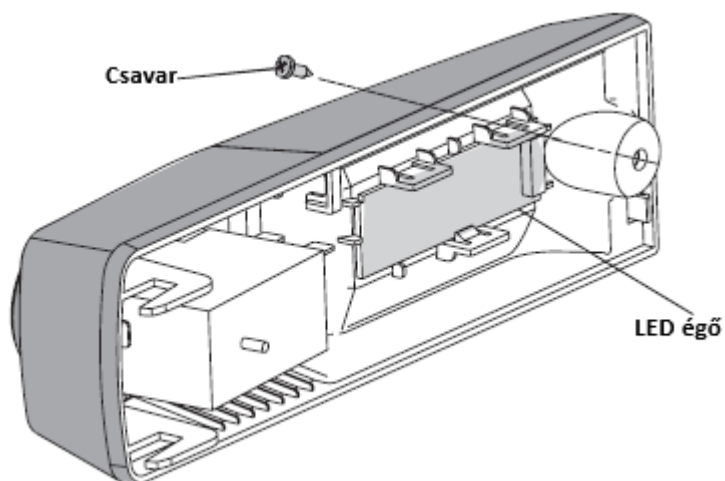
A LED égő cseréje



Figyelmeztetés! Győződjön meg róla, hogy az égő nincs kiégtve. Az égőt ne a felhasználó cserélje.

Az égő nem jártas személy általi cseréje súlyos sérülést vagy meghibásodást okozhat. A veszélyek elkerülése érdekében ezt szakképzett személyzetnek kell kicserélnie.

- Az égő kicserélése előtt kapcsolja ki és áramtalanítsa a készüléket, vagy szakítsa meg az áramellátást.
- A LED égőre vonatkozó adatok: 220-240V, MAX. 2W.
- Húzza ki a dugaszt az áramforrásból.
- Az égő cseréjéhez csavarja ki a csavart.
- Cserélje ki a LED égőt.
- Újra indítsa el a hűtőszekrényt.



XI. TIPPEK ÉS HASZNOS TANÁCSOK

Működés közben hallható zajok

A hűtőszekrények működésére az alábbi zajok jellemzőek:

Koppanások: Minden alkalommal, amikor a kompresszor indul vagy kikapcsol, egy koppanás-szerű hang hallható.

Zümmögő hang: Működés közben a készülék zümmögő hangot bocsát ki.

Bugyborékoló, gurgulázó hangok: Amikor a hűtőfolyadék a hűtőcsöveken folyik bugyborékoló vagy csepegés-szerű hangokat hallhatunk.

Csepegés-szerű hangok: A kompresszor leállítását követően is hallható még rövid ideig a csepegés-szerű hang.

Ajánlatok a friss élelmiszerek hűtött tárolásához

Az optimális teljesítmény érdekében:

- Ne helyezzen be a készülékbe meleg ételt vagy párolgó folyadékot.
- Földje be vagy csomagolja be az ételleket, élelmiszereket, különösen abban az esetben, ha ezek erős szagot árasztanak.
- Helyezze el az élelmiszereket megfelelő módon, azaz úgy, hogy a levegő szabadon keringessen körülöttük.

Javaslatok a hűtéshez

- A húst (bármely fajtát) polietilén fóliába csomagoljuk és a zöldségek és gyümölcsök részére kialakított fiók fölötti üvegpolcra helyezzük. A biztonság érdekében, ilyen módon legfeljebb egy vagy két napig tárolja így a húst.
- A főtt ételek, a felvágottak stb.: ezeket le kell takarni és bármely polcon elhelyezni.
- Gyümölcsök és zöldségek: ezeket jól meg kell pucolni és elhelyezni az ezeknek szánt fiókokba.
- Vaj és sajtfélék: ezeket speciális tárolóedénybe kell helyezni, melyek hermetikusan zárnak vagy legalább alumínium vagy polietilén fóliába tekerni a lehető legszorosabban.
- Tejet tartalmazó palackok: jól záró üvegben, a hűtőszekrény ajtajában levő polcon kell tárolni.

Annak érdekében, hogy az élelmiszerek ne romoljanak meg, tartsa be az alábbi utasításokat.

- Ha a készülék ajtója huzamos ideig nyitva van, akkor a készülék rekeszeiben a hőmérséklet jelentősen megnő.
- Tisztítsa rendszeresen azokat a felületeket, amelyekkel az élelmiszerek érintkezhetnek, valamint a készülék lefolyó rendszerét is.
- A nyers húst valamint a friss halat tárolja megfelelő edényekben, hogy ne érintkezzen más élelmiszerekkel.
- A két csillaggal jelölt fagyasztó a gyorsfagyasztott élelmiszerek tárolására, fagyalt készítésére vagy tárolására és jégkocka készítésére alkalmas.
- Az egy, két és három csillagos fagyasztó a friss ételek fagyasztására nem alkalmas.

Megjegyzés: Kérjük, tárolja az élelmiszereket a nekik megfelelő rekeszekben és a nekik megfelelő hőmérsékleten.

- Ha a fagyasztó készülék hosszú ideig üres, kapcsolja ki, takarítsa ki, törölje ki jól és hagyja az ajtaját nyitva, hogy megelőzze a penész keletkezését a készülék belsejében.

Sorszám	Fagyasztó rész típusa	Javasolt tárolási hőmérséklet [°C]	Megfelelő élelmiszer
1	Hűtés	+2≤+6	Tojás, főtt ételek, csomagolt élelmiszer, gyümölcs és zöldség, tejtermék, a sütemények és italok fagyasztása nem megengedett.
2	Friss élelmiszerek	0≤+4	A friss disznó-, borjú-, csirkehús, főtt étel stb. (javasolt ugyanazon a napon vagy legkésőbb 3 napon belül elfogyasztani).
3	Bor	+5≤+20	Vörös bor, fehér bor, pezsgőbor stb.

XII. A FAGYASZTÓ TISZTÍTÁSA ÉS LEOLVASZTÁSA

Higiéniai okokból a készüléket (ide értve a belső tartozékait is) rendszeresen tisztítani kell, legkevesebb kéthavonta egyszer.



FIGYELEM! Áramütés veszély!

- A készüléket húzza ki az elektromos hálózathoz tartozó idejére. Tisztítás előtt kapcsolja ki a készüléket, és húzza ki a konnektorból vagy szakítsa meg az áramellátást gombtól, illetve a biztosítéktól.

Fontos!

- A készülék tisztítása előtt távolítsa el az élelmiszereket annak belsejéből. Helyezze hűvös helyre, jól letakarva.
- A tisztításhoz soha ne használjon gőzkeltő készüléket. A nedvesség lerakódhat az elektromos komponensekben.
- A meleg pára megrongálhatja a villamos részeket.
- Az éterek és a szerves oldószerek, mint például a citromlé vagy a narancshéj leve, a vajsav, az ecetsavat tartalmazó tisztítószerek megrongálhatják a műanyag részeket. Ne hagyja, hogy ilyen anyagok a készülék komponenseivel érintkezzenek.
- Ne használjon dörzshatású tisztítószereket.
- A készüléket és belsejét langyos vízzel és törülkövvel tisztítsa. Mosogatószer használható.
- Tisztítás után öblítse le tiszta vízzel és törölje szárazra egy száraz törülkövvel.
- A poros kondenzátor növeli az áramfogyasztást, évente egyszer puha kefével vagy porszívóval tisztítsa meg a készülék hátán található kondenzátort.
- Ellenőrizze a hűtőréteg hátsó falán található kifolyót.
- Amennyiben a lefolyó nyílásai eltömödtek, tisztítsa ki azokat a zöld színű pálcika segítségével. A hegyes és éles tárgyak használata a berendezés sérüléséhez vezethet.
- Miután minden összetevő teljesen kiszáradt, helyezze ismét működésbe a készüléket.

Leolvasztás

A kiolvadás oka

- Az élelmiszerekből vagy az ajtónyitás által beáramló levegőből származó nedvesség jégképződéshez vezethet a készülék belsejében. Ha a jégképződés vastag, a készülék hűtési teljesítménye lecsökken. Ha a jégképződés vastagsága meghaladja a 10 mm-t, szükség van a jégmentesítésre.

A friss élelmiszerek részére fenntartott tartó leolvasztása

- Ezt automatikus ellenőrzés végzi, és ebben a tekintetben nincs szükség semmilyen művelet végrehajtására. A kiolvasztásból származó víz egy vízelvezető csatornán keresztül jut el a készülék hátsó részén található vízgyűjtő tálcába.

Hosszú ideig tartó működésszünet

- Vegyen ki minden élelmiszert a készülékből.
- A készülék kikapcsolásához fordítsa el a hőmérséklet szabályozó gombot a „0” pozícióba.
- Távolítsa el a hálózati csatlakozót, vagy kapcsolja ki a hálózati áramellátást.
- Alaposan tisztítsa meg a készüléket (lásd a "Tisztítás és karbantartás" részt).
- A kellemetlen szagok kialakulásának elkerülése érdekében, hagyja nyitva az ajtót.

Megjegyzés: Ha a készülék rendelkezik fagyasztótérrel.

XIII. HIBAEHÁRÍTÁS

Figyelmeztetés! Hibaelhárítás előtt húzza ki a készüléket a villamos hálózathoz. Azokat a hibákat, amelyek nem szerepelnek ebben a kézikönyvben, kizárólag szakosított villanszerelő háríthatja el.

Fontos! A szokványos használat alatt hallatszik néhány zaj (kompresszor, a hűtőfolyadék áramlása).

Fontos! A készülék javítása kizárólag szakosított műhelyek által végezhető. A nem megfelelő javítások kockázattal járnak a felhasználó számára. Ha készülékét javítani kell, kérjük, keresse meg a szakterekedőt vagy a helyi szakszervizt.

Probléma	Lehetséges ok	Megoldás
A készülék nem működik.	A készülék nincs bekapcsolva.	Kapcsolja be a készüléket.
	A dugó nincs helyesen bedugva az aljzatba, vagy meglazult.	Helyezze be a dugaszt a csatlakozóaljzatba.
	A biztosíték kiégett vagy meghibásodott.	Ellenőrizze a biztosítékot. Szükség esetén cserélje ki.
	A dugasz meghibásodott.	A villamossági rendszer meghibásodásait kizárólag szakképzett villanszerelővel javíttassa meg.
A berendezés túlságosan hűt.	A beállított hőmérséklet túlságosan alacsony.	Tekerje a hőszabályzó gombot magasabb hőfokra.
Az élelmiszerek túl melegek.	A hőmérséklet értéke nem megfelelő.	Olvassa el a hőmérséklet szabályozását leíró részt.
	Az ajtó túlságosan hosszú ideig maradt nyitva.	Ne tartsa nyitva az ajtót a szükségesnél hosszabb ideig.
	Az elmúlt 24 órában nagy mennyiségű meleg élelmiszer került be a hűtőszekrénybe.	Ideiglenesen csavarja el a hőmérsékletállító gombot egy magasabb állásba.
	A berendezés egy hőforráshoz közel helyezkedik el.	Kérjük, olvassa el a berendezés elhelyezésére vonatkozó részeket.
Nem működik a világítás.	Az izzólámpa meghibásodott.	Kérjük, olvassa el „A belső izzólámpa helyettesítése” fejezetet.
Sok jég alakult ki, valószínűleg az ajtó tömítésén is.	Az ajtó tömítés nem szigetel jól (valószínűleg az ajtó nyitásának megcserélése után)	Melegítse gondosan az ajtó tömítés érintetlen részeit hajszárítóval (hűvösre állítva). Ugyanakkor kézzel modellálja az ajtó tömítést oly módon, hogy az jól elhelyezkedjen.
Szokatlan zajok.	A készülék nem áll stabilan.	Allítsa be a készülék lábait.
	A készülék a fallal vagy egyéb tárgyakkal érintkezik.	Mozdítsa el kicsit a berendezést.
	Egy adott alkatrész (például a készülék egyik csöve) a falhoz vagy egy másik alkatrészhez ér hozzá.	Amennyiben szükséges, óvatosan hajlítsa meg az alkatrészt, hogy az semmihez se érhesen hozzá.
Nem indul a kompresszor, a hőfokszabályozását követően azonnal.	Ez normális, nem hibajel.	A kompresszor egy adott idő után indul be.
A padlón vagy a tárolópolcokon víz van.	Elzárult a kifolyó.	Olvassa el a tisztításra és karbantartásra vonatkozó fejezetet.

SZERVIZ ÉS ÜGYFÉLSZOLGÁLAT

Kizárólag eredeti cserealkatrészeket használjon.

Mielőtt felvenné a kapcsolatot az engedélyezett szakszervizünkkel, győződjön meg róla, hogy a következő adatok a rendelkezésére állnak: Modell megnevezése és sorozatszám

Ezeket az adatokat a készülék műszaki adattábláján találja. Ezek az adatok előzetes értesítés nélkül is megváltoztathatók.

MŰSZAKI ADATOK

A termék műszaki adatai a készülék műszaki adattábláján és az energiacímkéjén vannak feltüntetve.

A hűtőszekrény energiacímkéjén található QR-kód egy internetes linket biztosít a készülék teljesítményével kapcsolatos információkhoz, melyek az EPREL adatbázisban találhatóak.

Utólagos tanulmányozás céljából, őrizze meg az energiacímkét a használati útmutatóval valamint a készülék egyéb dokumentumaival együtt.

Úgyszintén, ezeket az információkat az EPREL adatbázisban is megtalálja. Ennek érdekében használja a következő linket: <https://eprel.ec.europa.eu> és adja meg a termék megnevezését és sorozatszámát, amelyeket a készülék műszaki adattábláján talál.

A termékével kapcsolatos információk eléréséhez az EPREL portálon beolvashatja az alábbi kódokat:



Köszönjük, hogy termékünket választotta! Ha termékével kapcsolatosan további információra van szüksége, keresse fel honlapunkat az alábbi linkeket használva:

A használati útmutatókat innen töltheti le: <https://www.heinner.ro>

A javításokra vonatkozó adatokat itt találja: <https://www.heinner.ro>



A hulladékok környezetfelelős eltávolítása

Segíthet a környezet védelmében!

Kérjük, tartsa be a helyi rendelkezéseket: a nem működő elektromos berendezéseket a használt elektromos hulladékokat gyűjtő központba szolgáltatassa be.



A HEINNER a **Network One Distribution SRL(KFT)** társaság által bejegyzett védjegy. A többi márkajelzés és a termékek megnevezése kereskedelmi vagy az illető birtoklók által bejegyzett márkanevek.

A leírtak egyetlen része sem használható fel semmilyen formában, még lefordított, átalakított változatban sem, a NETWORK ONE DISTRIBUTION előzetes beleegyezése nélkül.

Copyright © 2013 Network One Distribution. Minden jog fenntartva.

www.heinner.com, <http://www.nod.ro>

<http://www.heinner.com>, <http://www.nod.ro>



A terméket az Európai Közösség előírásainak és jogszabályainak megfelelően tervezték és gyártották.

Importőr: **Network One Distribution**

Marcel Iancu utca, 3-5 szám, Bukarest (București), Románia

Tel: +40 21 211 18 56, www.heinner.com, www.nod.ro