

HEINNER

REFRIGERATOR

Model: HF-V401NFXWDF+



- Refrigerator
- Total capacity: 390L
- Energy class: F

Thank you for purchasing this product!

I. INTRODUCTION

Before using the appliance, please read carefully this instruction manual and keep it for future reference.

This instruction manual is designed to provide you with all required instructions related to the installation, use and maintenance of the appliance.

In order to operate the unit correctly and safety, please read this instruction manual carefully before installation and usage.

II. CONTENT OF YOUR PACKAGE



- Refrigerator
- User manual
- Warranty card

III. SAFETY PRECAUTIONS

GENERAL WARNINGS!

WARNING: Keep ventilation openings, in the appliance enclosure or in the built-in structure, clear of obstruction.

WARNING: Do not use mechanical devices or other means to accelerate the defrosting process, other than those recommended by the manufacturer.

WARNING: Do not use electrical appliances inside the food storage compartments of the appliance, unless they are of the type recommended by the manufacturer.

WARNING: Do not damage the refrigerant circuit.

WARNING: In order to avoid any hazards resulting from the instability of the appliance, it must be fixed in accordance with the following instructions:

WARNING: When positioning the appliance, ensure the supply cord is not trapped or damaged.

WARNING: Do not locate multiple portable socket-outlets or portable power supplies at the rear of the appliance.



Symbol ISO 7010 W021

WARNING: Risk of fire / flammable materials

- If your appliance uses R600a as a refrigerant (this information will be provided on the label of the cooler) you should take care during transportation and installation to prevent the cooler elements from being damaged. R600a is an environmentally friendly and natural gas, but it is explosive. In the event of a leak due to damage of the cooler elements, move your fridge away from open flames or heat sources and ventilate the room where the appliance is located for a few minutes.
- While carrying and positioning the fridge, do not damage the cooler gas circuit.
- Do not store explosive substances such as aerosol cans with a flammable propellant in this appliance.
- This appliance is intended to be used in household and domestic applications such as:
 - staff kitchen areas in shops, offices and other working environments.
 - farm houses and by clients in hotels, motels and other residential type environments.
 - bed and breakfast type environments
 - catering and similar non-retail applications
- If the socket does not match the refrigerator plug, it must be replaced by the manufacturer, a service agent or similarly qualified persons in order to avoid a hazard.
- A specially grounded plug has been connected to the power cable of your refrigerator. This plug should be used with a specially grounded socket of 16 amperes. If there is no such socket in your house, please have one installed by an authorised electrician.
- This appliance can be used by children aged from 8 years and above and persons with reduced physical, sensory or mental capabilities or lack of experience and knowledge if they have been given supervision or instruction concerning use of the appliance in a safe way and understand the hazards involved. Children shall not play with the appliance. Cleaning and user maintenance shall not be made by children without supervision.
- Children aged from 3 to 8 years are allowed to load and unload refrigerating appliances. Children are not expected to perform cleaning or user maintenance of the appliance. Very young children (0-3 years old) are not expected to use appliances safely unless continuous supervision is given. Older children (8-14 years old) and vulnerable people can use appliances safely after they have been given appropriate supervision or instruction concerning use of the appliance. Very vulnerable people are not expected to use appliances safely unless continuous supervision is given.
- If the supply cord is damaged, it must be replaced by the manufacturer, an authorised service agent or similar qualified persons, in order to avoid a hazard.
- This appliance is not intended for use at altitudes exceeding 2000 m.

NOTES:

- Please read the instruction manual carefully before installing and using your appliance. ***We are not responsible for the damage occurred due to misuse.***
- Follow all instructions on your appliance and instruction manual, and keep this manual in a safe place to resolve the problems that may occur in the future.
- This appliance is produced to be used in homes and it can only be used in domestic environments and for the specified purposes. It is not suitable for commercial or common use. Such use will cause the guarantee of the appliance to be cancelled and our company will not be responsible for losses incurred.
- This appliance is produced to be used in houses and it is only suitable for cooling / storing food. It is not suitable for commercial or common use and/or for storing substances except for food. Our company is not responsible for losses to be incurred in the contrary case.

SAFETY WARNINGS:

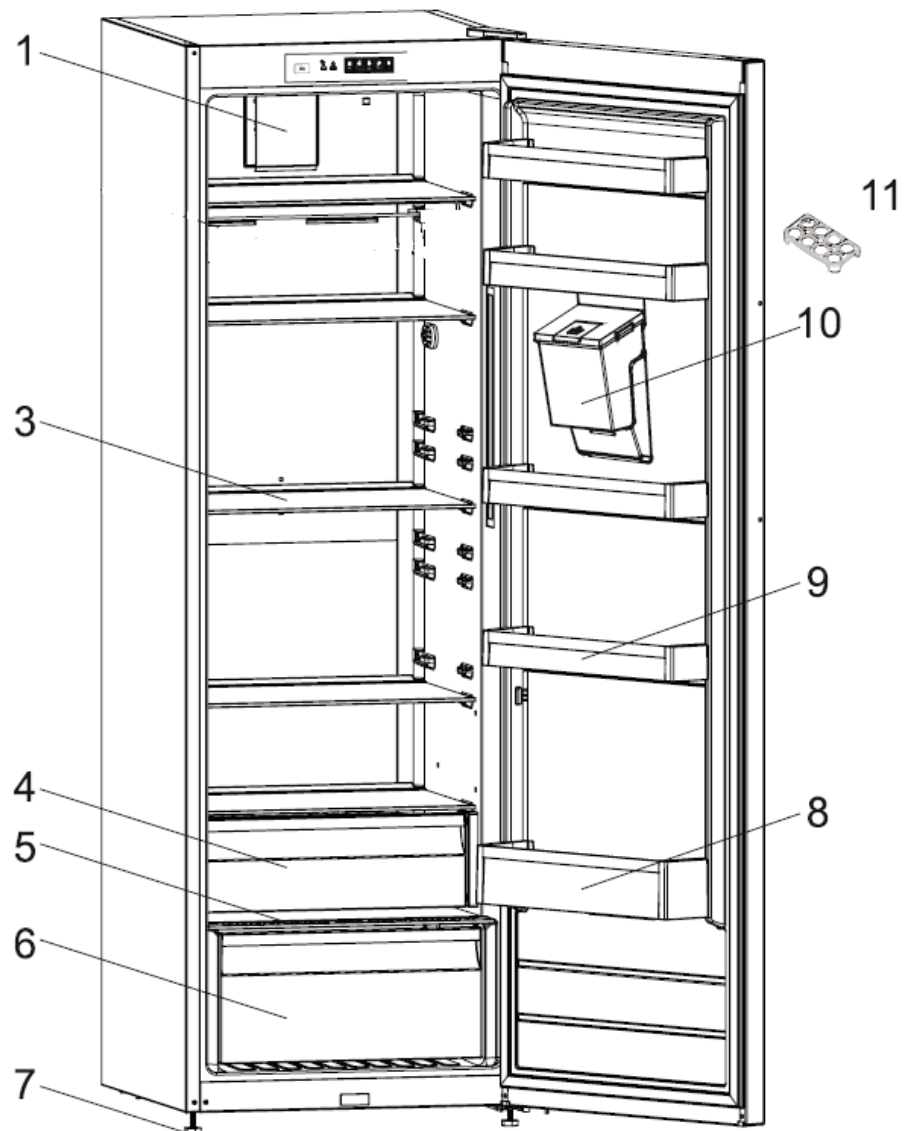
- Do not connect your fridge to the mains electricity supply using an extension lead.
- Do not plug in damaged, torn or old plugs.
- Do not pull, bend or damage the cord.
- This appliance is designed for use by adults, do not allow children to play with the appliance or let them hang off the door.
- Never touch the power cord/plug with wet hands as this could cause a short circuit or electric shock.
- Do not place explosive or flammable material in your fridge. Place drinks with high alcohol content vertically in the fridge compartment and make sure that their tops are tightly closed.
- Do not cover the body or top of fridge with lace. This affects the performance of your fridge.
- Secure any accessories in the fridge during transportation to prevent damage to the accessories.
- When the door of the cooler is closed, a vacuum seal will form. Wait for about 1 minute before reopening it.
- This application is optional for easy opening of the door. With this application, a little condensation may occur around this area and you may remove it.

To avoid contamination of food, please respect the following instructions:

- Opening the door for long periods can cause a significant increase of the temperature in the compartments of the appliance.
- Clean regularly surfaces that can come in contact with food and accessible drainage systems
- Store raw meat and fish in suitable containers in the refrigerator, so that it is not in contact with or drip onto other food.
- Two-star frozen-food compartments are suitable for storing pre-frozen food, storing or making ice cream and making ice cubes.
- One-, two- and three-star compartments are not suitable for the freezing of fresh food.
- If the refrigerating appliance is left empty for long periods, switch off, defrost, clean, dry, and leave the door open to prevent mould developing within the appliance.

V. PRODUCT DESCRIPTION

This appliance is not intended to be used as a built-in appliance.



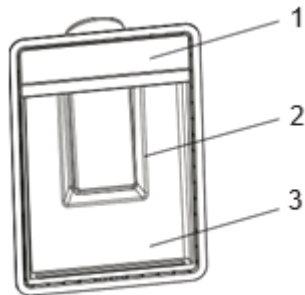
This presentation is only for information about the parts of the appliance. Parts may vary according to the appliance model.

1	Turbo fan	7	Levelling feet
3	Refrigerator shelves	8	Bottle shelf
4	Top crisper	9	Door shelves
5	Bottom crisper cover	10	Water dispenser
6	Bottom crisper	11	Egg holder

Fresh Food Compartment (Fridge): Most efficient use of energy is ensured in the configuration with the drawers in the bottom part of the appliance, and shelves evenly distributed, position of door bins does not affect energy consumption.

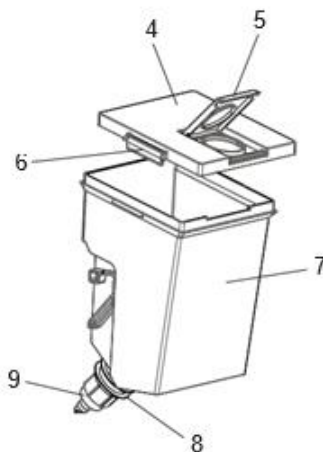
Parts of the water dispenser

(A) Outside the door (water dispenser's tank group)

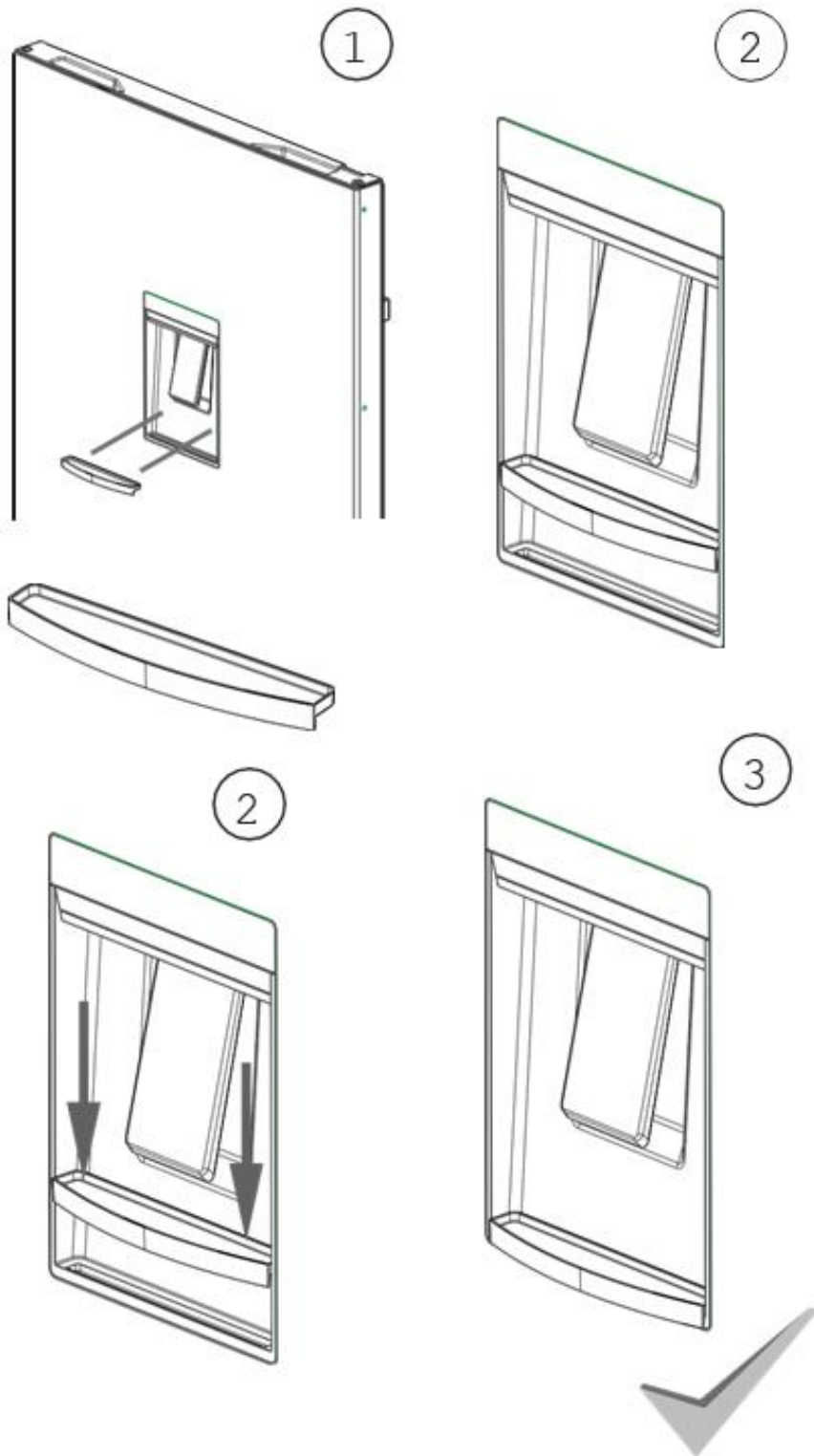


- 1)Top cover of the water dispenser
- 2)Valve lever
- 3)Water dispenser casing

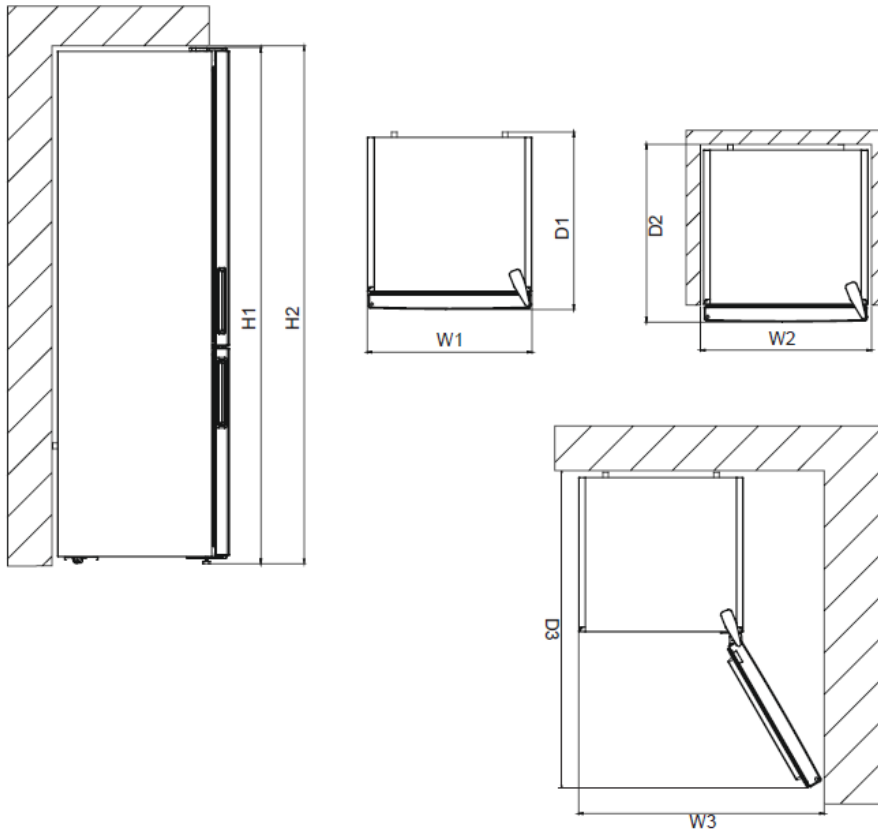
(B) Inside the door (Water dispenser's tank group)



- 4)Top cover of the water tank
- 5)Tank cover
- 6) Side locking covers
- 7)Water tank
- 8)Gasket ring
- 9) Tap detail



Dimensions



Overall dimensions ¹		
H1	mm	1860
W1	mm	595
D1	mm	650

Space required in use ²		
H2	mm	1910
W2	mm	595
D2	mm	688

Overall space required in use ³		
W3	mm	877
D3	mm	1179

VI. INSTALLATION

Before using the appliance, you should pay attention to the following points:

- The operating voltage for your fridge is 220-240 V at 50Hz.
- The plug must be accessible after installation.
- Before connecting your fridge freezer, ensure that the information on the data plate (voltage and connected load) matches that of the mains electricity supply. If in doubt, consult a qualified electrician.
- Insert the plug into a socket with an efficient ground connection. If the socket has no ground contact or the plug does not match, we recommend you consult a qualified electrician for assistance.
- The appliance must be connected with a properly installed fused socket. The power supply (AC) and voltage at the operating point must match with the details on the name plate of the appliance (the name plate is located on the inside left of the appliance).
- We do not accept responsibility for any damages that occur due to ungrounded usage.
- Place your fridge where it will not be exposed to direct sunlight.
- Your appliance should be at least 50 cm away from stoves, gas ovens and heater cores, and at least 5 cm away from electrical ovens.
- Your fridge should never be used outdoors or exposed to rain.
- When your fridge is placed next to a deep freezer, there should be at least 2 cm between them to prevent humidity forming on the outer surface.
- Do not place anything on your fridge, and install your fridge in a suitable place so that at least 15 cm of free space is available above it.
- Do not place heavy items on the appliance.
- If you will place your fridge next to your kitchen cabinets, leave a space of 2 cm between them.
- Install the plastic distance guide (the part with black vanes at the rear) by turning it 90° (as shown in the figure) to prevent the condenser from touching the wall.
- The refrigerator should be placed against a wall with a free space not exceeding 75 mm.
- Use the adjustable front legs to make sure your appliance is level and stable. You can adjust the legs by turning them in either direction. This should be done before placing food in the fridge.
- Before using your fridge, wipe all parts with a solution of warm water and a teaspoon of sodium bicarbonate, then rinse with clean water and dry. Place all parts in the fridge after cleaning.
- Do not use plug adapter.

Before using the appliance

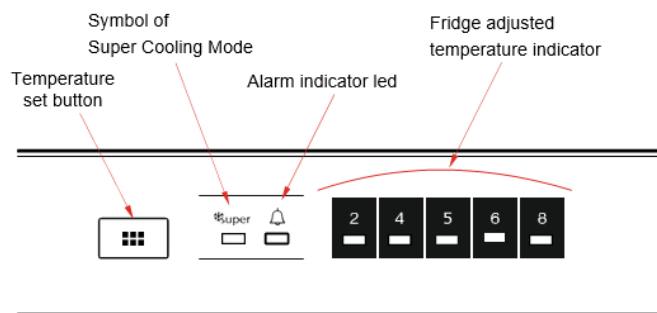
- When using your fridge for the first time, or after transportation, keep it in an upright position for at least 3 hours before plugging into the mains. This allows efficient operation and prevents damage to the compressor.
- Your fridge may have a smell when it is operated for the first time. This is normal and the smell will fade away when your fridge starts to cool.

VII. USING THE APPLIANCE

Information on No-Frost Technology

No-frost refrigerators differ from other static refrigerators in their operating principle. In normal refrigerators the humidity entering the refrigerators due to opening the door and the humidity inherent in the food causes freezing in the backside of air duct. To defrost the frost and ice in the backside of air duct, you are periodically required to turn off the refrigerator, place the food that needs to be kept cooled in a separately cooled. The situation is completely different in no-frost refrigerators. Dry and cold air is blown into the refrigerator compartment homogeneously and evenly from several points via a blower fan. Cold air dispersed homogeneously and evenly between the shelves cools all of your food equally and uniformly, thus preventing humidity and freezing. Therefore your no-frost refrigerators allows you ease of use, in addition to its huge capacity and stylish appearance.

Control panel



Temperature set button

This button allows setting temperature of the fridge. In order to set values for fridge partition, press this button. Use this button also to activate Super Cooling mode.

Lighting (If available)

When the product is plugged in for the first time, the interior lights may turn on 1 minute late due to opening tests.

Alarm light

In case of a problem within the fridge, the alarm led will release red light.

Super Cooling Mode

When would it be used?

- To cooling huge quantities of food.
- To cooling fast food.
- To cooling food quickly.
- To store seasonal food for a long time.

How to use?

- Press temperature set button until super cooling light comes on.
- Super cooling led will light during this mode.
- For optimal appliance performance in maximum cooling capacity, set the appliance to active Super Cooling mode 6 hours before you put the fresh food into the fridge.

During this mode:

If you press temperature set button, the mode will be cancelled and the setting will be restored from 2.

Note: "Super cooling" mode will be automatically cancelled after 6 hours or when cooling sensor temperature drops beneath 2°C.

Fridge Temperature Settings

- The initial temperature of the Setting Display is 5°C.
- Press fridge setting button once.
- Every time you press the button, the setting temperature will increase. (2°C, 4°C, 5°C, 6°C, 8°C, super cooling).
- If you press fridge setting button until super cooling symbol is displayed on your fridge
 - Settings Display and you do not press any button within the following 3 seconds
 - Super cooling will blinkIf you keep on pressing, it will restart from last value.

Warnings for temperature settings

- Your temperature adjustments will not be deleted when an energy breakdown occurs.
- Do not pass to another adjustment before completing an adjustment.
- Temperature adjustments should be made according to the frequency of door openings, the quantity of food kept inside the fridge and ambient temperature of the place of your fridge.
- Your fridge should be operated up to 24 hours according to the ambient temperature without interruption after being plugged in to be completely cooled.
- Do not open doors of your fridge frequently and do not place much food inside it in this period.
- A 5 minutes delaying function is applied to prevent damage to the compressor of your fridge, when you take the plug off and then plug it on again to operate it or when an energy breakdown occurs. Your fridge will start to operate normally after 5 minutes.
- Your fridge is designed to operate in the ambient temperature intervals stated in the standards, according to the climate class stated in the information label. We do not recommend operating your fridge out of stated temperatures value limits in terms of cooling effectiveness.
- Your appliance is designed to operate in the ambient temperature (ST/SN = 10°C - 43°C) intervals stated in the standards, according to the climate class displayed on the information label. We do not recommend operating your appliance out of the stated temperature limits in terms of cooling effectiveness.

Climate class and meaning:

T (tropical): This refrigerating appliance is intended to be used at ambient temperatures ranging from 16 °C to 43 °C.

ST (subtropical): This refrigerating appliance is intended to be used at ambient temperatures ranging from 16 °C to 38 °C.

N (temperate): This refrigerating appliance is intended to be used at ambient temperatures ranging from 16 °C to 32 °C.

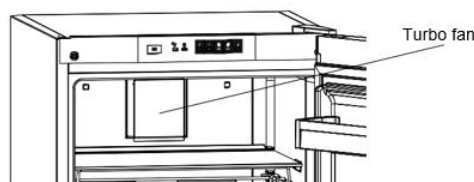
SN (extended temperate): This refrigerating appliance is intended to be used at ambient temperatures ranging from 10 °C to 32 °C.

Door open alarm function

If cooler door is opened more than 2 minutes , appliance sounds 'beep beep'.

Turbo fan

Do not block air inlet and outlet openings when storing food, otherwise air circulation that provided by turbo fan will be impaired.



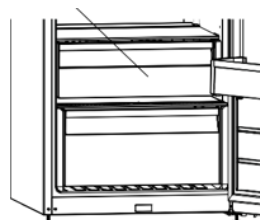
Accessories

Chiller shelf

Keeping food in the Chiller compartment instead of the freezer or refrigerator compartment allows food retain freshness and flavor longer, while preserving its fresh appearance. When chiller tray becomes dirty, remove it and wash it with water.

Water freezes at 0°C, but foods containing salt or sugar freeze at temperature lower than that.

Normally people use the chiller compartment for raw fish, lightly pickled, rice, etc.



Do not put foods you want to freeze or ice trays in order to make ice.

Removing the Chiller shelf

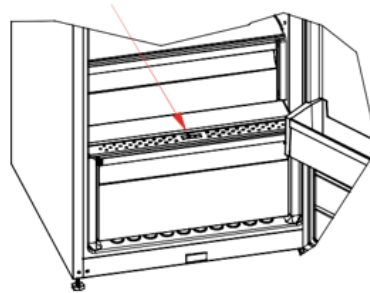
- Pull the chiller shelf out toward you by sliding on rails.
- Pull the chiller shelf up from rail to remove.

Fresh dial

When the humidity controller in the closed position, it allows fresh fruit and vegetables to be stored longer.

In case of the crisper is totally full, the fresh dial is located in front of crisper, should be opened. By means of this the air in the crisper and humidity rate will be controlled and endurance life will be increased.

If you see any condensation on glass shelf, humidity control should be taken into the open positions.



Visual and text descriptions on the accessories section may vary according to the model of your appliance.

Water dispenser

Mounting of the water tank group

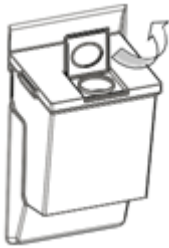
Place the water tank in the details of the door plastic pitched in the direction of the arrow.



After inclined to mount the water tank, push it down to place to the details of door plastics properly.



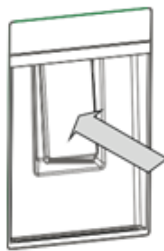
Add your drinks with the help of water tank top cover.



Uphold the side locking covers to detach the water tank cover.



To serve your drink press valve lever slightly.



Filing the water tank

- Remove the top cover of the water tank.
- Fill up the tank with water.
- Mount back the top cover of the water tank.

Attention

- Do not use the water dispenser anything except water.
- If you leave water in the tank for a long time it could cause odour. In this case clean the tank and keep using it.
- Clean up the water tank before using it for the first time.

Cleaning the Water Tank

- Lift the water tank.
- Remove the tank cover with upholding the side locking covers.
- Clean up the tank with warm water and reassemble the pieces you removed.

Stowing the Water Tank

- Install the water tank as shown.
- Be careful about the tap and the hole match each other while installing.
- Water flow can appear unwillingly if the tank have not taken its place properly. Also check the gaskets are assembled properly.

Drip Tray

- Please pay attention in order not to go down min level on the tank surface. During the usage of dispenser the water can be splash after min water level.

ATTENTION:

PLEASE HOLD THE GLASS FOR ONE SECOND LONGER AFTER DISTRIBUTION TO AVOID DRIPS.

VIII. STORING THE FOOD

- To reduce humidity and the consequent increase in frost, never place liquids in unsealed containers in the fridge compartment. Frost tends to concentrate in the coldest parts of the evaporating liquid and in time will more frequent defrosting will be required.
- Never place warm food in the refrigerator. Warm food should be allowed to cool at room temperature and should be arranged to ensure adequate air circulation in the refrigerator compartment.
- Nothing should touch the back wall of the appliance as it will cause frost and the packages can stick on the back wall. Do not open the refrigerator door too frequently.
- Arrange meat and cleaned fish (wrapped in packages or sheets of plastic) which you intend to use in 1-2 days, in the bottom section of the fridge compartment.
- Store fruit and vegetable items loose in the crisper containers.

To avoid contamination of food, please respect the following instructions:

- Opening the door for long periods can cause a significant increase of the temperature in the compartments of the appliance.
- Clean regularly surfaces that can come in contact with food and accessible drainage systems.
- Clean water tanks if they have not been used for 48 h; flush the water system connected to a water supply if water has not been drawn for 5 days.
- Store raw meat and fish in suitable containers in the refrigerator, so that it is not in contact with or drip onto other food.
- Two-star frozen-food compartments are suitable for storing pre-frozen food, storing or making ice cream and making ice cubes.
- One, two and three star compartments are not suitable for the freezing of fresh food.
- If the refrigerating appliance is left empty for long periods, switch off, defrost, clean, dry, and leave the door open to prevent mould developing within the appliance.
- For normal working conditions, it will be sufficient to adjust the temperature setting of your refrigerator to +4 °C.
- The temperature of the fridge compartment should be in the range of 0-8 °C, fresh foods below 0 °C are iced and rotted, bacterial load increases above 8 °C, and spoils.
- Do not put hot food in the refrigerator immediately, wait for the temperature to pass outside. Hot foods increase the degree of your refrigerator and cause food poisoning and unnecessary spoiling of the food.
- Meat, fish, etc. should be store in the chiller compartment of the food, and the vegetable compartment is preferred for vegetables. (if available)
- To prevent cross contamination, meat products and fruit vegetables are not stored together.

The table below is a quick guide to show you the most efficient way to store the major food groups in your refrigerator compartment.

Food	Maximum storage time	How and where to store
Vegetables and fruits	1 week	Vegetable bin
Meat and fish	2 - 3 Days	Wrap in plastic foil, bags, or in a meat container and store on the glass shelf
Fresh cheese	3 - 4 Days	On the designated door shelf
Butter and margarine	1 week	On the designated door shelf
Bottled products e.g. milk and yoghurt	Until the expiry date recommended by the producer	On the designated door shelf
Eggs	1 month	On the designated egg shelf
Cooked food		All shelves

IX. CLEANING AND MAINTENANCE

- Disconnect the unit from the power supply before cleaning.
- Do not clean the appliance by pouring water.
- Make sure that no water enters the lamp housing and other electrical components.
- The fridge should be cleaned periodically using a solution of bicarbonate of soda and lukewarm water.
- Clean the accessories separately with soap and water. Do not clean them in the dishwasher.
- Do not use abrasive products, detergents or soaps. After washing, rinse with clean water and dry carefully. When you have finished cleaning, reconnect the plug to the mains supply with dry hands.
- Clean the condenser with a broom at least twice a year. This will help you to save on energy costs and increase productivity.

THE POWER SUPPLY MUST BE DISCONNECTED.

Replacing LED lighting

If your fridge has LED lighting contact the help desk as this should be changed by authorized personnel only.

TRANSPORTATION AND CHANGING OF INSTALLATION POSITION

Transportation and changing of installation position

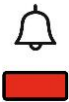
- The original packages and foamed polystyrene (PS) can be retained if required.
- During transportation, the appliance should be secured with a wide string or a strong rope. The instructions written on the corrugated box must be followed while transporting.
- Before transporting or changing the installation position, all the moving objects (ie,shelves,crisper...) should be taken out or fixed with bands in order to prevent them from getting damaged.

Carry your fridge in the upright position.

Repositioning the door

- It is not possible to change the opening direction of your fridge door, if the door handle on your fridge is installed from the front surface of the door.
- It is possible to change the opening direction of the door on models without any handles.
- If the door opening direction of your refrigerator may be changed, you should contact the nearest Authorised Service Agent to have the opening direction changed.

X. TROUBLESHOOTING

Alarm indicator led is turning on	ERROR TYPE	WHY	WHAT TO DO
	"Failure Warning"	<p>There is/are some part(s) Out of order or there is a failure in cooling process.</p> <p>The product is plugged for the first time or a long- time power interruption for 1 hour.</p>	<p>Check the door is open or not and check if the product working 1 hour. If the door is not open and the product had worked 1 hour, call service for assistance as soon as possible.</p>

If your fridge is not working properly, it may be a minor problem, therefore check the following, before calling an electrician to save time and money.

What to do if your appliance does not operate

Check that:

- There is no power.
- The general switch in your home is disconnected.
- The socket is not sufficient. To check this, plug in another appliance that you know which is working into the same socket.

What to do if your appliance performs poorly

Check that:

- You have not overloaded the appliance.
- The fridge temperature set to 2.
- The door is closed perfectly.
- There is no dust on the condenser.
- There is enough place at the rear and side walls.

If your fridge is operating too loudly

Normal Noises

Cracking (Ice cracking) noise

- During automatic defrosting.
- When the appliance is cooled or warmed (due to expansion of appliance material).

Short cracking: Heard when the thermostat switches the compressor on/off.

Compressor noise: Normal motor noise. This noise means that the compressor operates normally. Compressor may cause more noise for a short time when it is activated.

Bubbling noise and splash: This noise is caused by the flow of the refrigerant in the tubes of the system.

Water flow noise: Normal flow noise of water flowing to the evaporation container during defrosting. This noise can be heard during defrosting.

Air Blow Noise: Normal fan noise. This noise can be heard in fridges during normal operation of the system due to the circulation of air.

If the edges of fridge cabinet that the door joint contact are warm

Especially in summer (hot weather), the surfaces that the joint contact may get warmer during the operation of the compressor, this is normal.

If humidity builds up inside the fridge

- Are all food packed properly? Are the containers dried before placing them in the fridge?
- Is the fridge's door opened frequently? Humidity of the room gets in the fridge when the door is opened. Humidity build up will be faster when you open the door more frequently, especially if the humidity of the room is high.

If the door is not opened and closed properly

- Do the food packages prevent closing of the door?
- Are the door compartments, shelves and drawers placed properly?
- Are door joints broken or torn?
- Is your fridge on a level surface?

Recommendations

To stop the appliance completely, unplug from main socket (for cleaning and when the door is left open).

Tips for saving energy

1. Install the appliance in a cool, well ventilated room, but not in direct sunlight and not near a heat source (radiator, cooker, etc.). Otherwise use an insulating plate.
2. Allow warm food and drinks to cool down outside the appliance.
3. Cover drinks or other liquids when placing them in the appliance. Otherwise humidity increases in the appliance. Therefore, the working time gets longer. Also covering drinks and other liquids helps to preserve smell and taste.
4. Try to avoid keeping the doors open for long periods or opening the doors too frequently as warm air will enter the cabinet and cause the compressor to switch on unnecessarily often.
5. Keep the covers of the different temperature compartments (crisper, chiller, etc.) closed.
6. The door gasket must be clean and pliable. In case of wear, replace the gasket.

CUSTOMER CARE AND SERVICE

Always use original spare parts.

When contacting our Authorised Service Centre, ensure that you have the following data available: Model and Serial Number.

The information can be found on the rating plate. Subject to change without notice.

TECHNICAL DATA

The technical information is situated in the rating plate on the internal side of the appliance and on the energy label.

The QR code on the energy label supplied with the appliance provides a web link to the information related to the performance of the appliance in the EU EPREL database.

Keep the energy label for reference together with the user manual and all other documents provided with this appliance.

It is also possible to find the same information in EPREL using the link <https://eprel.ec.europa.eu> and the model name and product number that you find on the rating plate of the appliance.

To access information about your product in the EPREL portal, you can scan the codes below:

HF-V401NFXWDF+



Thank you for purchasing this product. If you need support with your product, visit our website using the links below.

Get User manuals: <https://www.heinner.ro>

Get Service information: <https://www.heinner.ro>



Environment friendly disposal

You can help protect the environment!

Please remember to respect the local regulations: hand in the non-working electrical equipment's to an appropriate waste disposal center.



HEINNER is a registered trademark of **Network One Distribution SRL**. Other brands and product names are trademarks or registered trademarks of their respective holders.

No part of the specifications may be reproduced in any form or by any means or used to make any derivative such as translation, transformation, or adaptation without permission from NETWORK ONE DISTRIBUTION.

Copyright © 2013 Network One Distribution. All rights reserved.

www.heinner.com, <http://www.nod.ro>

<http://www.heinner.com>, <http://www.nod.ro>



This product is in conformity with norms and standards of European Community

Importer: **Network One Distribution**

Marcel Iancu Street, 3-5, Bucharest, Romania

Tel: +40 21 211 18 56, www.heinner.com , www.nod.ro

HEINNER

FRIGIDER

Model: HF-V401NFXWDF+



- Frigider
- Capacitate totala: 390L
- Clasa energetica: F

Vă mulțumim pentru alegerea acestui produs!

I. INTRODUCERE

Înainte de a utiliza acest aparat, citiți cu atenție manualul de instrucțiuni și păstrați-l pentru consultări ulterioare.

Acest manual este conceput pentru a vă oferi toate instrucțiunile necesare referitoare la instalarea, utilizarea și întreținerea aparatului.

Pentru utilizarea corectă și în siguranță a aparatului, vă rugăm să citiți cu atenție acest manual de instrucțiuni, înainte de instalare și utilizare.

II. CONȚINUTUL PACHETULUI DUMNEAVOASTRĂ



- **Frigider**
- **Manual de utilizare**
- **Certificat de garanție**

IV. MĂSURI DE PRECAUTIE

AVERTISMENTE GENERALE

AVERTISMENT: Asigurați-vă că gurile de ventilație ale carcasei aparatului sau ale corpului acestuia nu sunt obturate.

AVERTISMENT: Utilizați numai dispozitive mecanice sau mijloace de grăbire a procesului de dezghețare recomandate de către producător.

AVERTISMENT: Nu folosiți aparate electrice în interiorul compartimentelor de depozitare a alimentelor din acest aparat, decât dacă acestea sunt de tipul celor recomandate de către producător.

AVERTISMENT: Nu deteriorați circuitul de refrigerare.

AVERTISMENT: Pentru a evita pericolele generate de instabilitatea aparatului, acesta trebuie fixat în conformitate cu următoarele instrucțiuni:

AVERTISMENT: Atunci când poziționați aparatul, asigurați-vă că nu striviți și nu deteriorați cablul de alimentare.

AVERTISMENT: Nu amplasați în spatele aparatului prize multiple sau surse de alimentare portabile.



Simbol ISO 7010 W021

AVERTISMENT: Pericol de incendiu/materiale inflamabile

• Dacă aparatul dumneavoastră funcționează cu agentul frigorific R600a (această informație se află pe eticheta aparatului) trebuie să aveți grijă în timpul transportului și al instalării, pentru a preveni deteriorarea componentelor schimbătorului de căldură. R600a este un gaz natural ecologic, dar este exploziv. În cazul apariției unei scurgeri cauzate de deteriorarea componentelor schimbătorului de căldură, mutați frigiderul la distanță de sursele de flacără deschisă sau de căldură și aerisiți timp de câteva minute camera în care se află aparatul.

• Nu deteriorați circuitul schimbătorului de căldură în timpul transportului sau poziționării frigiderului.

• Nu depozitați în acest aparat produse explozive precum spray-urile cu aerosoli inflamabili.

• Acest aparat este destinat utilizării în locuințe și alte unități similare, cum ar fi:

- bucătăriile personalului din magazine, birouri și alte medii de lucru;
- în gospodării și de către clienții din hoteluri, moteluri și alte medii de tip rezidențial;
- medii de tip pensiune cu mic dejun;
- activități de tip catering și non-retail.

• Pentru evitarea pericolelor, în cazul în care ștecărul frigiderului nu se potrivește cu priza, acesta trebuie înlocuit de către producător, de către agentul său de service sau de persoane cu o calificare similară.

• Cablul de alimentare al frigiderului este echipat cu un ștecăr special cu împământare. Acest ștecăr trebuie utilizat cu o priză specială cu împământare, de 16 amperi. Dacă nu aveți o astfel de priză în locuința dumneavoastră, apălați la un electrician autorizat pentru a o instala.

• Aparatul poate fi utilizat de către copii cu vârste începând de la 8 ani și de către persoane cu capacități fizice, senzoriale sau mentale reduse, cu lipsă de experiență sau cunoștințe, numai dacă acestea sunt supravegheate sau instruite în ceea ce privește utilizarea în siguranță a aparatului și dacă înțeleg pericolele pe care le implică utilizarea. Copiii nu au voie să se joace cu aparatul. Curățarea și întreținerea nu trebuie efectuate de către copii nesupravegheați.

• Pentru evitarea pericolelor, în cazul în care cablul de alimentare este deteriorat, acesta trebuie înlocuit de către producător, de către agentul său de service sau de persoane cu o calificare similară.

• Copiilor cu vârste cuprinse între 3 și 8 ani le este permis să introducă și să scoată alimente din aparatele frigorifice. Copiilor foarte mici (0-3 ani) nu le este permis să folosească aparatul cu excepția cazului în care se asigură supravegherea continuă a acestora. Copiii mai mari

(8-14 ani) și persoanele vulnerabile pot folosi aparatele în condiții de siguranță, după ce li s-a acordat supravegherea sau instrucțiunile corespunzătoare privind utilizarea aparatului.

- Acest aparat nu este destinat utilizării la altitudini mai mari de 2000 de metri.

NOTE:

- Vă rugăm să citiți cu atenție manualul de instrucțiuni înainte de a instala și utiliza aparatul dumneavoastră. **Nu ne asumăm nicio răspundere pentru daunele apărute ca urmare a utilizării necorespunzătoare.**

- Respectați toate instrucțiunile de pe aparat și din manualul de instrucțiuni și păstrați acest manual într-un loc sigur, pentru a remedia problemele care ar putea interveni în viitor.

- Acest aparat este destinat uzului casnic și nu poate fi utilizat în alte scopuri decât cele specificate. Nu este potrivit pentru utilizare comercială sau în comun. O asemenea utilizare va duce la anularea garanției aparatului, iar compania noastră nu va fi responsabilă pentru pierderile care vor apărea.

- Acest aparat este produs în vederea utilizării casnice și este adecvat numai pentru răcirea/depozitarea alimentelor. Nu este potrivit pentru utilizare comercială sau în comun și/sau pentru depozitarea substanțelor nealimentare. Compania noastră nu este responsabilă pentru pierderile care vor apărea în caz contrar.

AVERTISMENTE PRIVIND SIGURANȚA:

- Nu conectați frigiderul la sursa de alimentare cu energie electrică prin intermediul unui cablu prelungitor.

- Nu conectați la prize defecte, deteriorate sau vechi.

- Nu trageți de cablu, nu îl îndoiți și nu îl deteriorați.

- Acest aparat este conceput pentru a fi utilizat de către adulți; nu permiteți copiilor să se joace cu aparatul sau să se agațe de ușa acestuia.

- Pentru a preveni electrocutarea și producerea scurtcircuitelor, nu atingeți cablul de alimentare/ștecărul cu mâinile ude.

- Nu puneți materiale explozive sau inflamabile în frigider. Puneți băuturile cu conținut ridicat de alcool în poziție verticală în compartimentul de refrigerare, cu dopurile bine închise.

- Nu acoperiți cu dantelă corpul aparatului sau partea superioară a acestuia. Aceasta influențează performanța frigiderului dumneavoastră.

- Fixați accesoriile din frigider în timpul transportului, pentru a preveni deteriorarea acestora.

- După închiderea ușii frigiderului, presiunea din interiorul acestuia scade. Așteptați aproximativ 1 minut înainte de a redeschide ușa.

Pentru a evita contaminarea alimentelor, respectați instrucțiunile de mai jos:

- Dacă ușa aparatului este lăsată deschisă pe perioade lungi, temperatura din compartimentele aparatului crește semnificativ.

- Curățați periodic suprafețele care pot intra în contact cu alimentele, precum și sistemele de scurgere ale aparatului.

- Păstrați carnea crudă și peștele proaspăt în recipiente corespunzătoare, astfel încât produsele să nu intre în contact cu alte alimente.

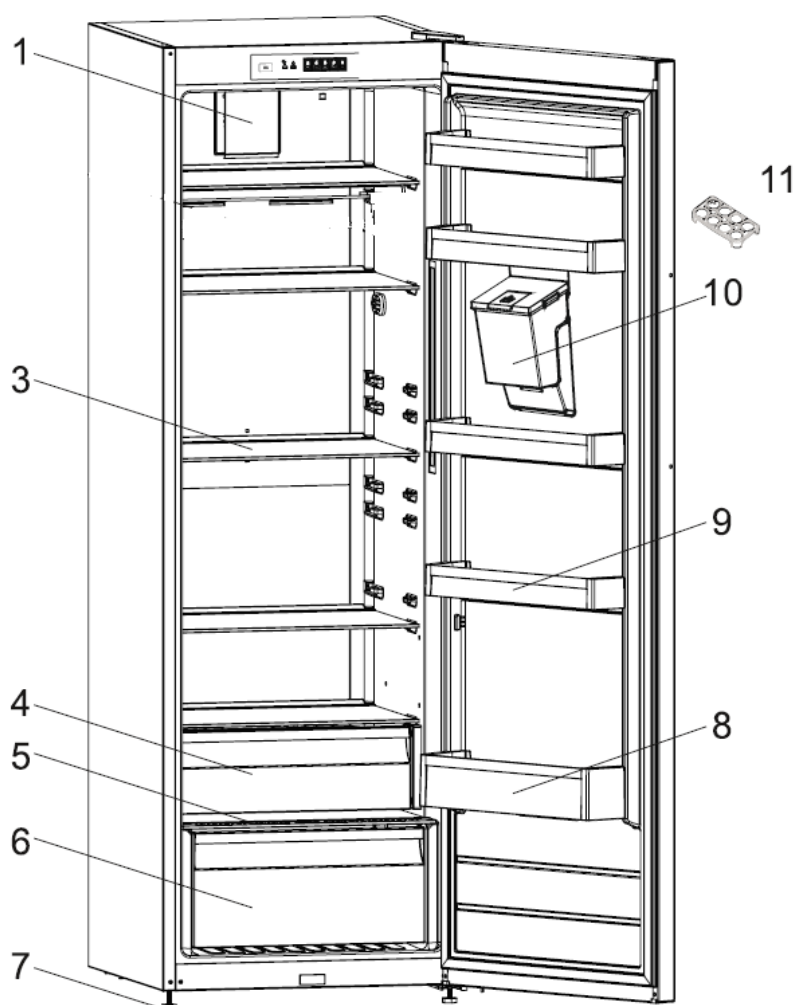
- Compartimentele de congelare cu două stele sunt potrivite pentru păstrarea alimentelor precongelate, păstrarea sau prepararea înghețatei și producerea cuburilor de gheață.

- Compartimentele cu una, două și trei stele nu sunt potrivite pentru congelarea alimentelor proaspete.

- Dacă aparatul frigorific este lăsat gol pe perioade lungi, opriți-l, decongelați-l, curățați-l, ștergeți-l bine și lăsați-i ușa deschisă, pentru a preveni formarea mușgaiului în interiorul acestuia.

IV. DESCRIEREA PRODUSULUI

Acest aparat nu este destinat să fie utilizat ca aparat încorporat



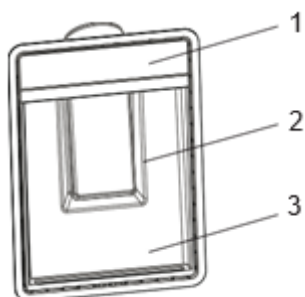
Această prezentare are numai rolul de informare cu privire la componentele aparatului. Componentele pot diferi în funcție de modelul aparatului.

1	Turbo ventilator	7	Picioruș de reglare
3	Rafturi frigider	8	Suport sticle
4	Cutie pentru fructe și legume	9	Raft pe ușă
5	Capac al cutiei pentru fructe și legume	10	Rezervor de apă
6	Cutie pentru fructe și legume	11	Suport pentru ouă

Compartiment frigider: Utilizarea cea mai eficientă a energiei este asigurată pastrand configurația rafturilor și sertarelor ca în ilustrația de mai sus: sertarele în partea de jos a frigiderului, rafturile distribuite uniform. Poziția rafturilor de pe ușă nu afectează consumul de energie.

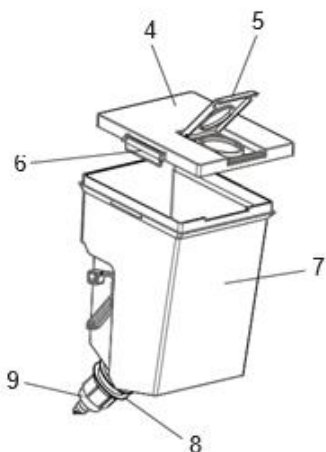
Părți ale distribuitorului de apă

Ansamblu dozator de apă frontal

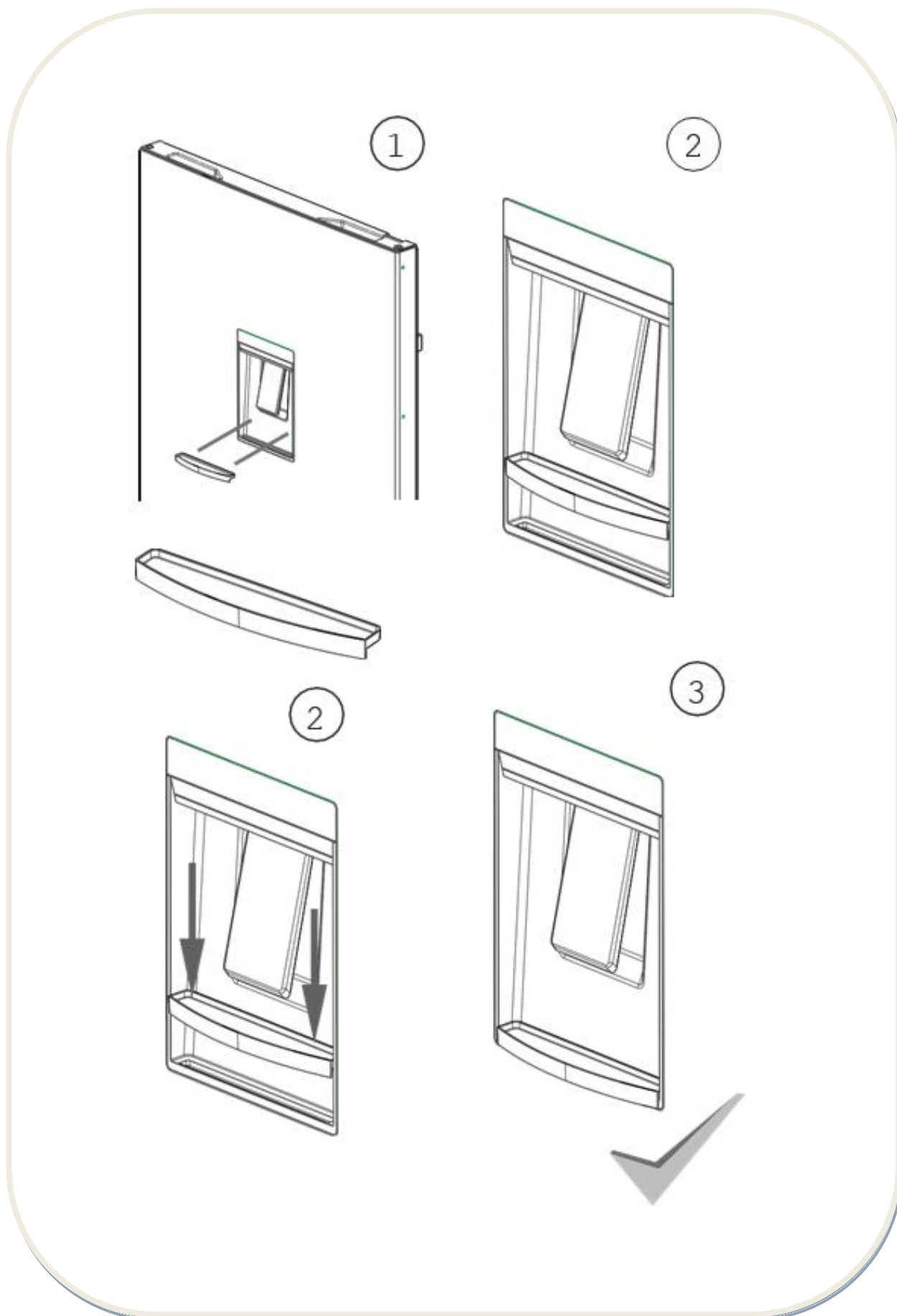


- 1) Capacul superior al dozatorului de apă
- 2) Mâner supapă
- 3) Tavă de picurare

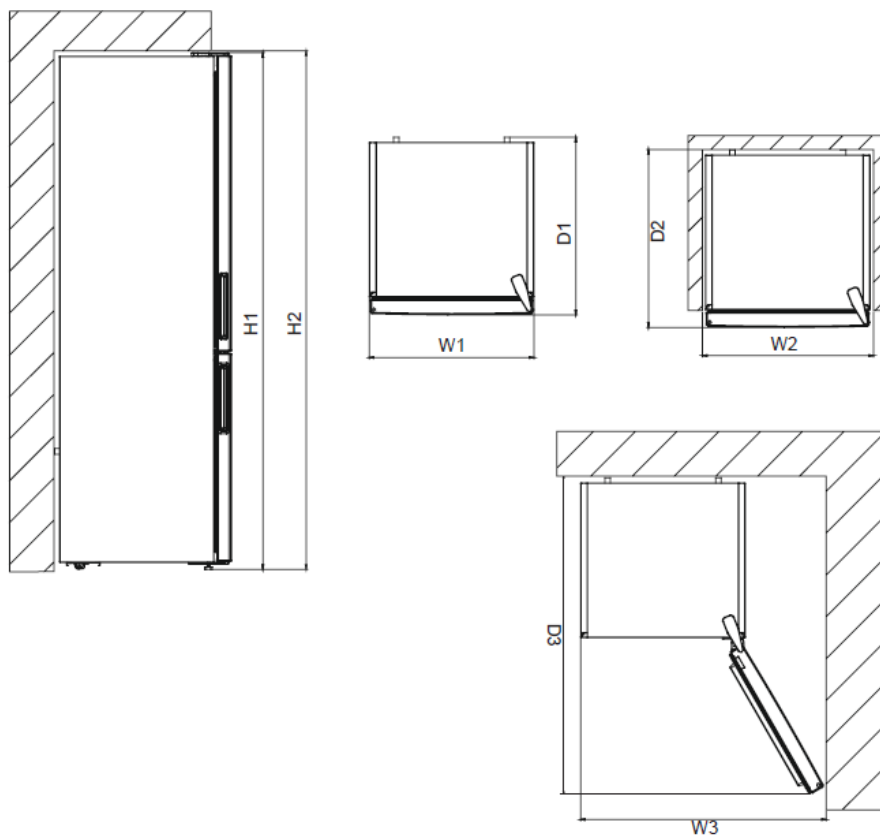
Ansamblul rezervorului cu apă



- 4) Rezervor de apă
- 5) Capacul filtrului
- 6) Capace cu închidere laterală
- 7) Rezervor de apă
- 8) Garnitură inelară
- 9) Detaliu robinet



Dimensiuni



Dimensiuni totale		
H1	mm	1860
W1	mm	595
D1	mm	650

Spațiu necesar în utilizare		
H2	mm	1910
W2	mm	595
D2	mm	688

Spațiu total necesar pentru utilizare		
W3	mm	877
D3	mm	1179

V. INSTALARE

Înainte de a începe să utilizați aparatul, acordați atenție următoarelor puncte:

- Asigurați-vă că tensiunea de alimentare pentru frigiderul dumneavoastră este de 220-240 V la 50 Hz.
- Stecherul trebuie să fie accesibil după instalare.
- Înainte de a conecta frigiderul, asigurați-vă că informațiile de pe plăcuța de date (tensiune și sarcină) corespund cu cele ale sursei de energie electrică. Dacă aveți dubii, consultați un electrician calificat.
- Introduceți ștecărul într-o priză cu împământare. În cazul în care nu aveți o priză cu împământare sau priză nu se potrivește, vă recomandăm să consultați un electrician calificat pentru asistență.
- Nu ne asumăm răspunderea pentru daunele apărute ca urmare a utilizării fără împământare.
- Amplasați frigiderul într-un loc ferit de lumina solară directă.
- Aparatul dumneavoastră trebuie poziționat la cel puțin 50 de cm distanță de plite, cuptoare cu gaz și radiatoare, și la cel puțin 5 cm distanță de cuptoare electrice.
- Frigiderul dumneavoastră nu trebuie utilizat în aer liber sau expus la ploaie.
- Atunci când frigiderul dumneavoastră este amplasat lângă un congelator, lăsați o distanță de cel puțin 2 cm între cele două aparate, pentru a preveni formarea umidității pe suprafețele exterioare.
- Nu așezați nimic pe frigider și instalați frigiderul într-un corespunzător, astfel încât să existe un spațiu de cel puțin 15 cm deasupra acestuia.
- Nu așezați obiecte grele pe aparat.
- Dacă amplasați frigiderul lângă dulapurile de bucătărie, lăsați un spațiu de 2 cm frigider și dulapuri.
- Montați prin rotire la 90° distanțierul din plastic situat în spatele frigiderului, astfel încât condensatorul să nu poată atinge peretele.
- Lăsați un spațiu de cel puțin 75 de mm între frigider și peretele lângă care îl amplasați.
- Reglați picioarele frontale ale aparatului pentru a vă asigura că acesta este drept și stabil. Puteți regla picioarele prin rotire în sensul acelor de ceasornic sau în direcția opusă. Efectuați această operație înainte de a introduce alimente în frigider.
- Înainte de utilizarea frigiderului, ștergeți toate accesoriile acestuia cu o soluție din apă caldă și o linguriță de bicarbonat de sodiu, apoi clătiți-le bine cu apă curată și ștergeți-le cu o cârpă moale și uscată. Poziționați accesoriile în frigider după curățarea acestora.
- Nu utilizați un adaptor de ștecăr.

Înainte de utilizarea aparatului

- Înainte de prima utilizare sau după transport, lăsați frigiderul în poziție verticală timp de 3 ore înainte de a-l conecta la sursa de alimentare. Aceasta permite funcționarea eficientă a aparatului și previne deteriorarea compresorului.
- Atunci când este pus în funcțiune pentru prima dată, frigiderul poate prezenta un miros. Mirosul se va atenua odată ce frigiderul începe să răcească.

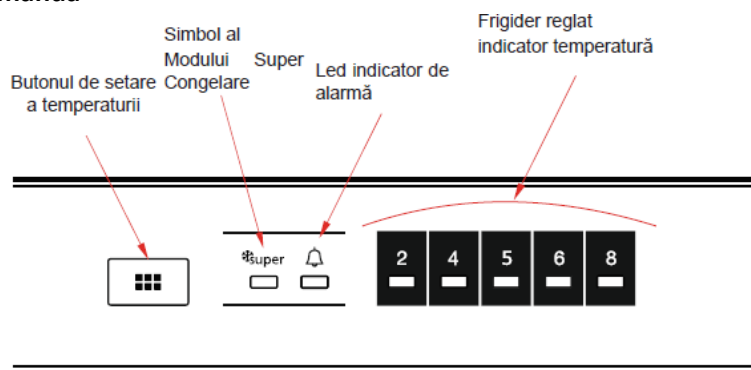
VIII. UTILIZAREA APARATULUI

Informații cu privire la tehnologia No-Frost

Frigiderele cu tehnologie No-Frost diferă de frigiderele cu sistem convențional de răcire în ceea ce privește principiul de funcționare.

În cazul utilizării frigiderelor convenționale, umiditatea care pătrunde în frigider atunci când deschideți ușa și umiditatea din alimente duce la formarea gheții pe pereții posterior din interiorul aparatului. Pentru a îndepărta gheața de pe pereții posterior din interiorul aparatului, este necesar să opriți periodic frigiderul și să puneți în alt frigider alimentele care necesită refrigerare. Situația este complet diferită în cazul utilizării frigiderelor cu tehnologie No-Frost. Aerul uscat și rece este suflat în compartimentul de refrigerare în mod omogen și uniform, din mai multe zone, prin intermediul unui ventilator. Aerul rece distribuit omogen și uniform printre rafturi răcește toate alimentele în mod egal și uniform, prevenind creșterea umidității și formarea gheții. Prin urmare, frigiderul dumneavoastră No-Frost este ușor de utilizat, având o capacitate enormă și un aspect elegant.

Panoul de comandă



Butonul pentru setarea temperaturii

Acest buton vă permite să setați temperatura frigiderului. Apăsăți acest buton pentru stabilirea valorilor de temperatură din compartimentul de refrigerare. De asemenea, puteți utiliza acest buton pentru activarea funcției „Super Cooling”.

Avertizorul luminos

Dacă apare o problemă cu frigiderul, avertizorul se aprinde.

Iluminat (dacă este disponibil)

Când produsul este conectat pentru prima dată, luminile interioare se pot aprinde cu 1 minut mai târziu din cauza testelor de deschidere.

Funcția „Super Cooling”

Când se utilizează?

- Pentru a răci cantități mari de alimente.
- Pentru răcirea alimentelor gata pentru consum.
- Pentru răcirea rapidă a alimentelor.
- Pentru depozitarea alimentelor sezoniere un timp îndelungat.

Cum se utilizează?

- Apăsăți pe butonul de setarea a temperaturii până la aprinderea indicatorului aferent funcției „Super Cooling”.
- Indicatorul aferent funcției „Super Cooling” va rămâne aprins.

- Pentru ca aparatul dumneavoastră să atingă performanța maximă de răcire, activați funcția „Super Cooling” cu 6 ore înainte de introducerea alimentelor proaspete în frigider.

Atunci când această funcție este activă:

Dacă apăsați pe butonul de setare a temperaturii, această funcție va fi dezactivată, fiind restabilită setarea 2.

Notă: Funcția „Super Cooling” va fi dezactivată automat după 6 ore sau atunci când senzorul detectează scăderea temperaturii sub 2 °C.

Setarea temperaturii frigiderului

- Valoarea inițială de temperatură indicată este de 5 °C.
- Apăsați o dată pe butonul pentru setarea temperaturii.
- La fiecare apăsare a butonului, valoarea temperaturii va crește. (2 °C, 4 °C, 5 °C, 6 °C, 8 °C, „Super Cooling”).
- Dacă apăsați pe butonul de setare a temperaturii până la afișarea simbolului „Super Cooling” și nu apăsați pe niciun buton în următoarele 3 secunde, simbolul „Super Cooling” va clipi.
- Dacă apăsați în continuare, acesta va trece la cea mai recentă setare de temperatură.

Avertismente privind setarea temperaturii

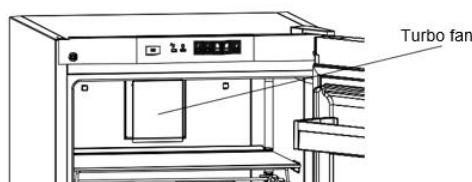
- Setările de temperatură nu vor fi șterse în cazul unei întreruperi a furnizării de energie electrică.
- Nu treceți la o altă setare înainte de a o finaliza pe cea începută.
- Setările de temperatură trebuie efectuate în funcție de frecvența de deschidere a ușii, de cantitatea de alimente din interiorul frigiderului și de temperatura ambiantă din spațiul în care frigiderul este amplasat.
- În funcție de temperatura mediului ambiant, frigiderul trebuie lăsat să funcționeze continuu până la 24 de ore după conectarea acestuia la sursa de alimentare cu energie electrică. În această perioadă, nu deschideți frecvent ușa frigiderului și nu puneți multe alimente în acesta.
- Dacă aparatul este oprit sau deconectat, așteptați cel puțin 5 minute înainte de a-l conecta sau reporni, pentru a preveni deteriorarea compresorului.
- Frigiderul dumneavoastră este proiectat să funcționeze în cadrul intervalelor de temperatură ambiantă prevăzute în standarde, conform claselor de climă specificate pe eticheta cu informații. Pentru o răcire eficientă, vă sfătuim să respectați valorile de temperatură de mai jos.
- Nu este recomandabilă utilizarea frigiderului în medii cu temperaturi sub 10° C, acest lucru putând scădea eficiența aparatului.
- Aparatul este destinat utilizării la o temperatură ambiantă cuprinsă între 10 °C și 38 °C.

Semnificatie clase climatice:

- temperată extinsă: acest aparat frigorific este destinat a fi utilizat la temperaturi ambiante cuprinse între 10 °C și 32 °C (SN);
- temperată: acest aparat frigorific este destinat a fi utilizat la temperaturi ambiante cuprinse între 16 °C și 32 °C (N);
- subtropicală: acest aparat frigorific este destinat a fi utilizat la temperaturi ambiante cuprinse între 16 °C și 38 °C (ST);
- tropicală: acest aparat frigorific este destinat a fi utilizat la temperaturi ambiante cuprinse între 16 °C și 43 °C (T);

Ventilatorul

Nu blocați cu alimente orificiile de admisie și evacuare a aerului, pentru a nu afecta circulația aerului asigurată de ventilator.



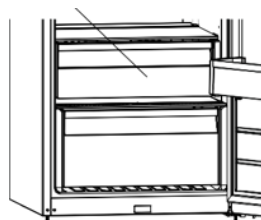
Accesorii

Compartimentul „racitor”

Păstrarea alimentelor în compartimentul „racitor” și nu în compartimentului de congelare sau în cel de refrigerare permite păstrarea proapețimii, aromei și aspectului plăcut al alimentelor pentru mai mult timp. În cazul în care compartimentul „chiller” se murdărește, scoateți-l și spălați-l cu apă.

Apa îngheață la 0 ° C, dar alimentele care conțin sare sau zahăr îngheață la o temperatură mai scăzută.

De obicei, compartimentul „chiller” este utilizat pentru păstrarea peștelui proaspăt, a murăturilor, a orezului etc.



Nu puneți în acest compartiment alimente pe care doriți să le congelați sau tăvițe pentru gheață.

Detașarea compartimentului „chiller”

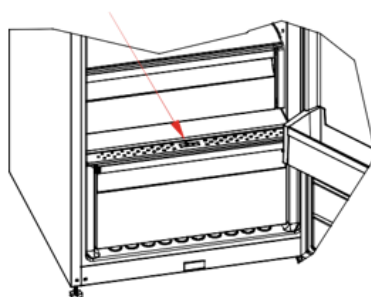
- Trageți de compartimentul „chiller”, glisându-l pe șine.
- Ridicați compartimentul „chiller” de pe șine pentru a-l scoate.

Dispozitivul pentru controlul umidității

Atunci când dispozitivul pentru controlul umidității este închis, fructele și legumele pot fi depozitate mai mult timp.

În cazul în care compartimentul pentru depozitarea fructelor și legumelor proaspete este plin, clapeta situată în partea frontală a compartimentului trebuie să fie deschisă. Astfel, aerul din compartimentul pentru depozitarea fructelor și legumelor proaspete și umiditatea pot fi controlate, iar durata de depozitare este crescută.

Dacă observați că se formează condens pe raftul din sticlă, dispozitivul pentru controlul umidității trebuie să fie deschis.



Ilustrațiile și descrierile referitoare la accesorii pot diferi în funcție de modelul aparatului dumneavoastră.

Dozator de apă

Montarea rezervorului de apă

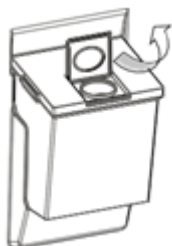
Puneți rezervorul de apă în suportul de plastic de pe ușă, înclinat în direcția săgeții.



După ce ați montat rezervorul de apă, împingeți-l în jos pentru a-l fixa ferm în suport



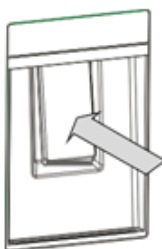
Adăugați băuturile dvs. cu ajutorul capacului superior al rezervorului de apă



Eliberați capacele laterale de blocare pentru a desprinde capacul rezervorului de apă



Pentru a servi băuturile, apăsați ușor maneta valvei



Umplerea rezervorului de apă

- Îndepărtați capacul superior al rezervorului de apă.
- Umpleți rezervorul cu apă.
- Montați capacul superior înapoi pe rezervorul de apă.

Atenție

- Nu utilizați dozatorul de apă pentru nimic altceva decât apă.
- Dacă lăsați apă în rezervor pentru o perioadă lungă de timp, aceasta ar putea provoca un miros. În acest caz, curățați rezervorul și continuați să-l utilizați.
- Curățați rezervorul de apă înainte de a-l utiliza pentru prima dată.

Curățarea rezervorului de apă

- Ridicați rezervorul de apă.
- Scoateți capacul rezervorului, eliberând capacele laterale de blocare.
- Curățați rezervorul cu apă caldă și reasamblați piesele pe care le-ați scos.

Depozitarea rezervorului de apă

- Instalați rezervorul de apă așa cum este indicat.
- Asigurați-vă că robinetul și gaura se potrivesc în timpul instalării.
- Fluxul de apă poate să nu fie așa cum era de așteptat, dacă rezervorul nu a fost instalat corect. De asemenea, verificați garniturile să fie asamblate corect.

Tavă de scurgere

- Vă rugăm să fiți atenți pentru a nu coborî nivelul minim pe suprafața rezervorului. În timpul utilizării dozatorului, apa poate stropi după nivelul minim de apă.

ATENȚIE:

VĂ RUGĂM SĂ ȚINEȚI PAHARUL CÂTEVA MOMENTE DUPĂ DISTRIBUȚIE, PENTRU A EVITA SCURGERILE:

VII. DEPOZITAREA ALIMENTELOR

- Pentru a reduce umiditatea și, în consecință, gradul de formare a gheții, nu puneți în compartimentul de refrigerare lichide în recipiente care nu sunt închise etanș. Gheața tinde să se acumuleze pe cele mai reci părți ale evaporatorului și, în timp, aparatul va necesita dezghețări mai frecvente.
- Nu puneți alimente calde în frigider. Alimentele calde trebuie lăsate să se răcească la temperatura camerei și trebuie poziționate astfel încât să permită o circulație adecvată a aerului în compartimentul de refrigerare.
- Nu lăsați alimentele să atingă peretele posterior din interiorul aparatului, deoarece ambalajele se pot lipi de peretele posterior. Nu deschideți foarte des ușa frigiderului.
- Puneți în partea inferioară a compartimentului de refrigerare carnea și peștele curățat (ambalate în folii din plastic) pe care urmează să le consumați în 1-2 zile.
- Puneți fructele și legumele neambalate în compartimentul pentru depozitarea fructelor și legumelor proaspete.

Pentru a evita contaminarea alimentelor, respectați instrucțiunile de mai jos.

- Dacă ușa aparatului este lăsată deschisă pe perioade lungi, temperatura din compartimentele aparatului crește semnificativ.
- Curățați periodic suprafețele care pot intra în contact cu alimentele, precum și sistemele de scurgere ale aparatului.
- Curățați rezervoarele de apă în caz de neutilizare a dozatoarelor timp de 48 de ore; apa din sistemele racordate la o sursă de alimentare cu apă trebuie extrasă în caz de neutilizare a sistemelor timp de 5 zile.
- Păstrați carnea crudă și peștele proaspăt în recipiente corespunzătoare, astfel încât acestea să nu intre în contact cu alte alimente.
- Compartimentele de congelare cu două stele sunt potrivite pentru păstrarea alimentelor precongelate, păstrarea sau prepararea înghețatei sau producerea cuburilor de gheață.
- Compartimentele cu una, două și trei stele nu sunt potrivite pentru congelarea alimentelor proaspete.
- Dacă aparatul frigorific este lăsat gol pe perioade lungi, opriți-l, decongelați-l, curățați-l, ștergeți-l bine și lăsați-i ușa deschisă pentru a preveni formarea mușgaiului în interiorul acestuia.
- Pentru condiții normale de funcționare este suficient să reglați temperatura frigiderului la +4 °C.
- Temperatura compartimentului de refrigerare trebuie să se încadreze în intervalul 0-8 °C. Sub 0°C alimentele proaspete îngheata iar la temperaturi de peste 8°C încărcatura bacteriană crește și alimentele se strică.
- Nu puneți mâncarea fierbinte în frigider, așteptați ca aceasta să ajungă la temperatura camerei. Introducerea de alimente fierbinti în frigider cauzează creșterea temperaturii din interior.
- Alimentele trebuie depozitate în frigider ambalate în recipiente închise sau acoperite pentru a preveni apariția umidității și a mirosurilor.

Tablelul de mai jos este un ghid rapid pentru a vă arăta cel mai eficient mod de a stoca principalele grupuri de alimente în compartimentul frigider.

Alimente	Durata maximă de depozitare	Modalitatea și locul depozitării
Legume și fructe	1 săptămână	Compartimentul pentru fructe și legume
Carne de porc sau vită și pește	2 - 3 zile	Ambalați-le în folie de plastic, în pungi sau într-un recipient pentru carne și depozitați-le pe raftul de sticlă
Brânză proaspătă	3 - 4 zile	Pe raftul special de pe ușă
Unt și margarină	1 săptămână	Pe raftul special de pe ușă
Produse îmbuteliate, cum ar fi laptele și iaurtul	Până la data de expirare recomandată de producător	Pe raftul special de pe ușă
Ouă	1 lună	Pe suportul special pentru ouă
Mâncare gătită		Pe orice raft

XI. CURĂȚARE ȘI ÎNTRETINERE

- Deconectați aparatul de la sursa de alimentare înainte de efectuarea operațiilor de curățare.
- Nu curățați aparatul turnând apă pe acesta.
- Asigurați-vă că nu ajunge apă în carcasa lămpii aparatului sau în alte componente electrice.
- Frigiderul trebuie curățat periodic cu ajutorul unei soluții din bicarbonat de sodiu și apă caldă.
- Curățați accesoriile separat, cu apă și detergent. Nu curățați accesoriile cu ajutorul mașinii de spălat vase.
- Nu utilizați produse de curățare abrazive. După spălarea accesoriilor, clătiți-le cu apă curată și lăsați-le să se usuce bine. După finalizarea operațiilor de curățare, conectați ștecărul la sursa de alimentare, cu mâinile uscate.
- Curățați condensatorul cu perie de cel puțin două ori pe an. Aceasta vă va ajuta să economisiți energie și va optimiza funcționarea aparatului.

APARATUL TREBUIE SĂ FIE DECONECTAT DE LA SURSA DE ALIMENTARE CU ENERGIE ELECTRICĂ.

Înlocuirea becului

Dacă frigiderul dumneavoastră este prevăzut cu sistem de iluminat, becul acestuia trebuie înlocuit numai de către personal calificat.

TRANSPORTUL ȘI SCHIMBAREA POZIȚIEI DE INSTALARE

Transportul și schimbarea poziției de instalare

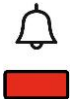
- Dacă este necesar, ambalajul original și polistirenul pot fi păstrate.
- În timpul transportului, aparatul trebuie să fie asigurat cu o chingă sau cu o frânghie rezistentă. Urmați instrucțiunile de pe cutia de carton în timpul transportului.
- Înainte de transport sau de schimbarea poziției de instalare, toate obiectele detașabile (rafturi, sertare etc.) trebuie scoase din aparat sau fixate cu bandă adezivă, pentru a preveni deteriorarea acestora.

Transportați frigiderul în poziție verticală

Inversarea direcției de deschidere a ușii

- Nu puteți inversa direcția de deschidere a ușii dacă mânerul este instalat pe suprafața frontală a ușii.
- Inversarea direcției de deschidere a ușii este posibilă în cazul modelelor ale căror uși nu sunt prevăzute cu mâner.
- Dacă direcția de deschidere a ușii frigiderului dumneavoastră poate fi inversată, apălați în acest sens la cel mai apropiat service autorizat (operațiunea se efectuează contra-cost).

XII. REMEDIEREA PROBLEMELOR

Avertizorul luminos se aprinde	TIPUL ERORII	MOTIV	SOLUȚII
	„Avertizare defecțiune”	Una sau mai multe componente nu funcționează sau a apărut o eroare în timpul procesului de răcire. Produsul este conectat la sursa de alimentare pentru prima dată sau după o întrerupere după o întrerupere a alimentării cu energie cu o durată mai mare de 1 oră.	Asigurați-vă că ușa nu este deschisă și că produsul este în funcțiune de cel puțin 1 oră. Dacă ușa nu este deschisă și produsul este în funcțiune de cel puțin 1 oră, contactați cât mai curând posibil serviciul de asistență tehnică.

Dacă frigiderul dumneavoastră nu funcționează corespunzător, este posibil să fie din cauza unei probleme minore. Prin urmare pentru a economisi timp și bani, efectuați următoarele verificări înainte de a contacta un electrician.

Proceduri în caz de nefuncționare a aparatului

Verificați următoarele:

- Nu este disponibilă energie electrică.
- Comutatorul general din locuința dumneavoastră este deconectat.
- Priza este defectă. Pentru verificare, conectați la priză un aparat despre care știți că funcționează.

Proceduri în caz de funcționare necorespunzătoare a aparatului

Verificați următoarele:

- Aparatul este supraîncărcat.
- Temperatura frigiderului este la setarea 2.
- Ușa este închisă corespunzător.
- Nu este praf pe condensator.
- Există spațiu suficient spatele și în lateralele aparatului.

Aparatul dumneavoastră este foarte zgomotos

Zgomote normale

Pârâit (produs de gheață)

- În timpul dezghețării automate.
- Când aparatul se răcește sau se încălzește(ca urmare a dilatării sau contractării materialelor aparatului)

Pârâit scurt: Este produs atunci când termostatul pornește/oprește compresorul.

Zgomot produs de compresor: Zgomot normal al motorului. Acest zgomot indică funcționarea normală a compresorului. La pornire, compresorul poate produce un zgomot mai puternic pentru un scurt interval de timp.

Bolboroseli și clipociri: Acest zgomot este produs ca urmare a curgerii agentului frigorific prin conductele sistemului.

Zgomot produs de curgerea apei: Acest zgomot este normal și este produs de apa care curge către recipientul de evaporare în timpul procesului de dezghețare. Acest zgomot este produs în timpul procesului de dezghețare.

Zgomot produs de aerul suflat: Zgomot normal al ventilatorului. Acest zgomot este produs de frigiderul în timpul funcționării normale, ca urmare a circulației aerului.

Marginile carcasei aparatului sunt calde

În special vara (pe vreme caldă), suprafețele aparatului se pot încălzi în timpul funcționării compresorului, acest lucru fiind normal.

Se acumulează umiditate în frigider

- Alimentele sunt ambalate corespunzător? Recipientele sunt uscate înainte de a fi introduse în frigider?
- Ușa frigiderului este deschisă frecvent? Când ușa este deschisă, umiditatea din încăperea pătrunde în frigider. Umiditatea se acumulează mai rapid dacă ușa este deschisă frecvent, în special în cazul în care umiditatea din încăperea este ridicată.

Ușa nu se deschide și nu se închide corect

- Alimentele împiedică închiderea ușii?
- Compartimentele de pe ușă, rafturile și sertarele sunt poziționate corect?
- Garniturile ușii sunt crăpate sau rupte?
- Frigiderul este montat pe o suprafață orizontală?

Recomandări

Pentru oprirea aparatului, deconectați ștecărul de la sursa de alimentare (în vederea efectuării operațiilor de curățare și atunci când ușa este lăsată deschisă).

Sfaturi pentru economisirea energiei

7. Instalați aparatul într-o cameră răcoasă, bine aerisită, dar nu sub acțiunea directă a luminii soarelui și nici în apropierea unei surse de căldură (radiator, aragaz etc.). În caz contrar, utilizați o placă izolantă.
8. Lăsați alimentele și băuturile calde să se răcească în exteriorul aparatului.
9. Băuturile și celelalte lichide introduse în aparat trebuie să fie acoperite. În caz contrar, umiditatea din aparat crește. Prin urmare, timpul de funcționare crește. De asemenea, acoperirea băuturilor și a altor lichide contribuie la păstrarea mirosului și gustului.
10. Încercați să nu lăsați ușile deschise mult timp sau să le deschideți prea des, deoarece aerul cald va pătrunde în aparat și va determina pornirea frecventă inutilă a compresorului.
11. Păstrați închise capacele compartimentelor din aparat aflate la temperaturi diferite (compartimentul pentru fructe și legume, compartimentul „chiller” etc.)
12. Garnitura ușii trebuie să fie curată și elastică. Înlocuiți garniturile dacă sunt uzate.

SERVICE ȘI ASISTENȚĂ PENTRU CLIEȚI

Utilizați numai piese de schimb originale.

Când contactați centrul nostru de service autorizat, asigurați-vă că aveți la îndemână următoarele informații: Denumirea modelului și numărul de serie.

Informațiile pot fi găsite pe plăcuța cu date tehnice. Acestea pot suferi modificări fără o notificare prealabilă.

DATE TEHNICE

Informațiile tehnice se află pe plăcuța cu date tehnice a aparatului și pe eticheta energetică.

Codul QR de pe eticheta energetică furnizată împreună cu aparatul oferă un link web către informațiile din baza de date EPREL cu privire la performanțele aparatului.

Păstrați eticheta energetică pentru consultări ulterioare, împreună cu manualul de utilizare și cu toate celelalte documente furnizate împreună cu acest aparat.

De asemenea, puteți găsi aceleași informații în baza de date EPREL, folosind link-ul <https://eprel.ec.europa.eu> și denumirea modelului o găsiți pe plăcuța cu date tehnice a aparatului.

Pentru a accesa informațiile despre produsul Dvs în portalul EPREL, puteți scana codurile de mai jos:

HF-V401NFXWDF+



Vă mulțumim pentru achiziționarea acestui produs! Dacă aveți nevoie de asistență în ceea ce privește produsul dumneavoastră, vizitați site-ul nostru web utilizând linkurile de mai jos:

Manuale de utilizare: <https://www.heinner.ro>

Informații referitoare la service: <https://www.heinner.ro>



MASURI PENTRU PROTECTIA MEDIULUI

Va informam ca persoanele fizice au urmatoarele obligatii prin legislatia specifica privind protectia mediului si regimul deseurilor:

- Deseurile de echipamente electrice si electronice (DEEE), pot contine substante periculoase pentru mediu si sanatatea umana. Conform OUG 5/2015, exista obligativitatea predarii acestora, pentru tratarea corespunzatoare si valorificarea componentelor reciclabile. Societatea Network One Distribution S.R.L. este platitoare de taxa de "timbru verde" pentru fiecare Echipament Electric si Electronic (EEE) pe care il pune pe piata. Acest cost asigura tratarea ulterioara a echipamentelor uzate colectate. Din acest motiv, odata ce devine deseou, produsul EEE poate fi predat gratuit operatorului Dvs. de salubritate, la magazine atunci cand achizitionati alt echipament similar, sistemul "unul la unu" sau la punctul de colectare organizat de Primaria Sectorului / localitatii Dvs.
- Simbolul (marcajul) aplicat produselor, care indica faptul ca deseurile DEEE, bateriile si acumulatorii - fac obiectul unei colectari separate, il reprezinta o pubela barata cu o cruce.



Aceste masuri vor ajuta la protejarea mediului

Societatea Network One Distribution S.R.L. este inregistrata in Registrul de punere pe piata a echipamentelor electrice si electronice, avand numarul de inregistrare: RO-2016-03-EEE-0201-IV. De asemenea, au fost intocmite si sunt gestionate: Registrul de Retragere EEE si Registrul de Rechemare EEE, in conformitate cu HG 322/2013. Totodata societatea este inregistrata in Registrul de punere pe piata a bateriilor, avnd numarul de inregistrare: RO-2011-03-B&A-0283.

Conformitatea cu directiva RoHS: Produsul pe care l-ati cumparat este conform cu Directiva RoHS UE (2011/65/UE). Nu contine materialele daunatoare si interzise specificate in Directiva.

Va multumim ca participati alaturi de noi la protejarea mediului si a sanatatii umane!



HEINNER este marcă înregistrată a companiei **Network One Distribution SRL**. Celelalte branduri și denumirile produselor sunt mărci de comerț sau mărci de comerț înregistrate ale respectivilor deținători.

Nicio parte a specificațiilor nu poate fi reprodusă sub nicio formă și prin niciun mijloc, nici utilizată pentru obținerea unor derivate precum traduceri, transformări sau adaptări, fără consimțământul prealabil al companiei NETWORK ONE DISTRIBUTION.

Copyright © 2013 Network One Distribution. Toate drepturile rezervate.

www.heinner.com, <http://www.nod.ro>

<http://www.heinner.com>, <http://www.nod.ro>



Acest produs este proiectat și realizat în conformitate cu standardele și normele Comunității Europene.

Importator: **Network One Distribution**

Str. Marcel Iancu, nr. 3-5, București, România

Tel: +40 21 211 18 56, www.heinner.com, www.nod.ro