

# MICROWAVE OVEN

Model:  
**HMW-M2535BK**



- Microwave oven
- Total capacity: 25L

**HEINNER**

## 1. INTRODUCTION

Please read the instructions carefully and keep the manual for future information.

This manual is designed to give all necessary instructions concerning installation, use and maintenance of the unit. In order to operate the unit correctly and safely, please read this instruction manual carefully before installation and use.

## 2. CONTENT OF YOUR PACKAGE

- ➔ **Freestanding microwave oven**
- ➔ **User manual**
- ➔ **Certificate of card**

## 3. CONTENT OF YOUR PACKAGE

### GENERAL

**WARNING: DO NOT OPERATE THE OVEN WITHOUT ANY LIQUID OR FOOD INSIDE THE OVEN. THIS WOULD DAMAGE THE OVEN.**

**WARNING:** If the door or door seals are damaged, the oven must not be operated until it has been repaired by a trained person.

**WARNING:** It is hazardous for anyone other than a trained person to carry out any service or repair operation, which involves the removal of any cover, which gives protection against exposure to microwave energy. **WARNING:** Liquids or other food must not be heated in sealed containers since they are liable to explode but it is explosive. In the event of a leak due to damage of the cooler elements, move your fridge away from open flames or heat sources and ventilate the room where the appliance is located for a few minutes.

1. Only use utensils that are suitable for use in microwave ovens.
2. Metallic containers for food and beverages are not allowed during microwave cooking.
3. When heating food in plastic or paper containers, keep an eye on the oven due to the possibility of ignition.
4. The microwave oven is intended for heating food and beverages. Drying of food or clothing and heating of warming pads, slippers, sponges, damp cloth and similar may lead to risk of injury, ignition or fire.
5. If smoke is observed, switch off or unplug the appliance and keep the door closed in order to stifle any flames microwave heating of beverages can result in delayed eruptive boiling, therefore care has to be taken when handling the container.
6. The contents of feeding bottles and baby food jars are to be stirred or shaken and the temperature is to be checked before consumption, in order to avoid burns.
7. Eggs in their shell and whole hard-boiled eggs shall not be heated in microwave ovens since they may explode, even after microwave heating has ended.

8. Failure to maintain the oven in a clean condition could lead to deterioration of the surface that could adversely affect the life of the appliance and possibly result in a hazardous situation.
9. The appliance must not be placed in a cabinet.
10. Care should be taken not to displace the turntable when removing containers from the appliance.
11. The appliance shall not be cleaned with a steam cleaner.
12. The appliance must not be installed equal to or higher than 900 mm above the floor. Minimum height of free space necessary above the top surface of the oven: See the installation drawing.

**WARNING:** When the appliance is operated in combination mode, children should only use the oven under adult supervision due to the temperatures generated.

13. If the supply cord is damaged, it must be replaced by the manufacturer or its service agent or a similarly qualified person in order to avoid a hazard.
14. This appliance can be used by children aged from 8 years and above and persons with reduced physical, sensory or mental capabilities or lack of experience and knowledge if they have been given supervision or instruction concerning use of the appliance in a safe way and understand the hazards involved.
15. Children shall not play with the appliance.
16. Cleaning and user maintenance shall not be done by children without supervision.
17. Group 2 Class B appliance  
Group 2 ISM equipment: group 2 contains all ISM equipment in which radio-frequency energy is intentionally generated and/or used in the form of electromagnetic radiation for the treatment of material, and EDM and arc welding equipment.  
Class B equipment is equipment suitable for use in domestic establishments and in establishments directly connected to a low voltage power supply network which supplies buildings used for domestic purposes.
18. The plug must be remained easily accessible after installation of the appliance.
19. This appliance must not be placed in a cabinet with a door.
20. This product internal light source LED light on < 60lm.
21. During use the appliances become hot. Care should be taken to avoid touching heating elements inside the oven.

**WARNING:** Accessible parts may become hot during use. Young children should be kept away.

**WARNING:** The appliance and its accessible parts become hot during use.

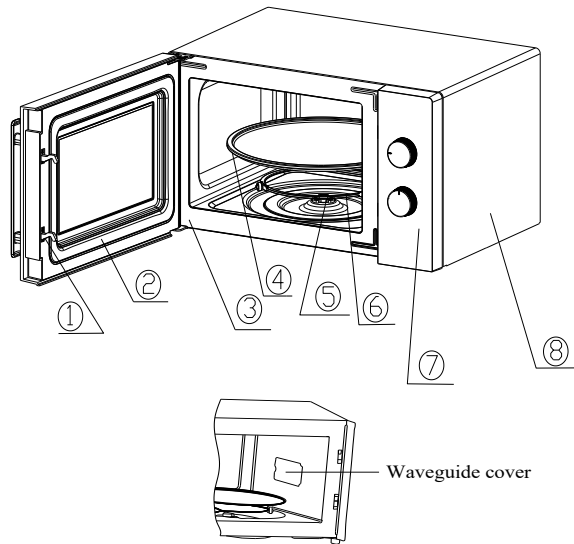
22. Care should be taken to avoid touching heating elements.
23. Children less than 8 years of age shall be kept away unless continuously supervised.
24. Do not use harsh abrasive cleaners or sharp metal scrapers to clean the oven door glass since they can scratch the surface, which may result in shattering of the glass.
25. The appliance must not be installed behind a decorative door in order to avoid overheating. This appliance can be used by children aged from 8 years and above and persons with reduced physical, sensory or mental capabilities or lack of experience and knowledge if they have been given supervision or instruction concerning use of the appliance in a safe way and understand the hazards involved. Children shall not play with the appliance. Cleaning and user maintenance shall not be done by children without details indicating the correct installation of the shelves.

## NOTES:

- Please read the instruction manual carefully before installing and using your appliance. We are not responsible for the damage which occurred due to misuse.
- Follow all instructions on your appliance and instruction manual and keep this manual in a safe place to resolve the problems that may occur in the future.

- This appliance is produced to be used in homes and it can only be used in domestic environments and for specified purposes. It is not suitable for commercial or common use. Such use will cause the guarantee of the appliance to be cancelled and our company will not be responsible for losses incurred.
- This appliance is produced to be used in houses and it is only suitable for cooling / storing food. It is not suitable for commercial or common use and/or for storing substances except for food. Our company is not responsible for losses to be incurred in the contrary case.

## 4. PRODUCT DESCRIPTION



### 1. Door lock

The microwave oven door must be properly closed in order for it to operate.

### 2. Viewing window

Allow user to see the cooking status.

### 3. Cavity

### 4. Turntable

The food sits on the turntable, its rotation during operation helps to cook food evenly

- Place the rotating ring first
- Fit the turntable onto the rotating axis and make sure that it is geared in properly.

### 5. Rotating axis

The glass turntable sits on the axis; the motor underneath it drives the turntable to rotate.

### 6. Rotating ring

The glass turntable sits on its wheels; it supports the turntable and helps it to balance when rotating.

### 7. Control panel

See below in details (the control panel is subject to change without prior notice)

### 8. Outer cover

Used for wrapping and protecting the internal structural parts and electrical components of the whole machine.

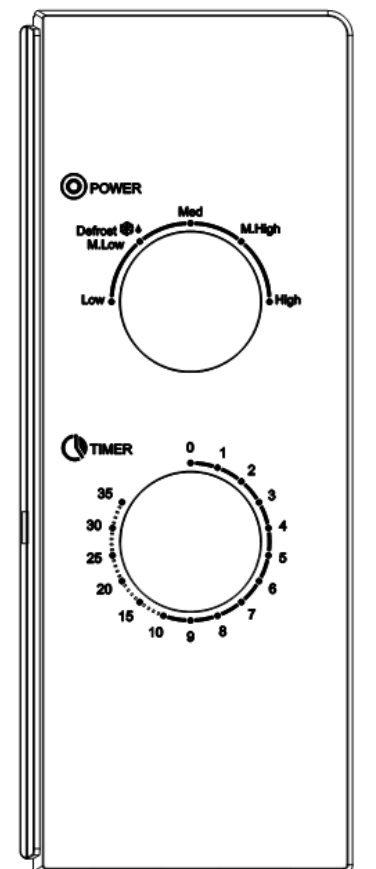
### Waveguide cover

It is inside the microwave oven, next to the wall of control panel.

## 5. INSTALLATION

1. Take out all the packing. If there is a safe film over the oven, tear it off before use. Check carefully for damage. If any, immediately notify the dealer or send to the manufacturer's service center.
2. Microwave ovens must be placed in dry and non-corrosiveness environments, kept away from heat and humidity, such as gas burner or water tank.
3. To ensure sufficient ventilation, the distance of the back of microwave to the wall should be at least 10 cm, the side to the wall should be at least 5 cm, the free distance above the top surface at least 20 cm. the distance of the microwave to the ground should be at least 85 cm.
4. The position of the oven shall be such that it is far from the TV, Radio or antenna as picture disturbance, or noise may occur. The distance should be more than 5m.
5. The appliance must be positioned so that the plug is accessible, and must ensure a good grounding in case leakage, ground loop can be formed to avoid electric shock.
6. The microwave oven must be operated with the door closed.
7. The microwave oven must not be placed in a cabinet. The microwave oven is intended to be used freestanding.
8. As there is manufacturing residue or oil remained on the oven cavity or heat element, it usually would smell the odor, even a slight smoke, It is normal case and would not occur after several times use, keep the door or window open to ensure good ventilation. So it is strongly recommended to place a cup of water in the cavity, setting at high power and operate for several times.
- 9.

## 6. OPERATION OF CONTROL PANEL



## 1. CLOCK SETTING

The maximum setting is 35 minutes, there is a ringtone at the end, and the knob returns to the "0" position.

## 2. MICROWAVE FUNCTION

No.	MICROWAVE POWER	MICROWAVE OUTPUT RATIO
1	Low	17% power output
2	Defrost	30% power output
3	M.Low	30% power output
4	Med	55% power output
5	M.High	80% power output
6	High	100% power output

Below is some food defrosting time advice:

No.	Weight (g)	Defrost time
1	200g	About 4 minutes
2	400g	About 8 minutes
3	600g	About 12 minutes

### 1. Connect the cord

- Before connecting the cord, make sure the timer is set to "0" position.
- Do not block the ventilation.

### 2. Place the food on the glass turntable and close the door

- Food must be contained in a utensil.
- Do not operate the microwave oven without load, otherwise it will cause damage to the microwave oven.

### 3. Select the desired microwave power level.

### 4. Set the timer.

If the desired time is less than 2 minutes, turn the microwave power knob to over 3 minutes position and then turn back to the desired time setting.

5. Once the desired time is set, the cooking begins. If pausing midway is needed, just open the door at any time, and close it to resume operation.

6. When it times out and cooking ends, the microwave oven produces a bell ring, the inside lamp will also be automatically turned off.

If food is removed before time out, make sure to set back the timer to "0" position, this avoids the microwave oven from operating in empty load.

7) It is recommended to wear gloves when removing cooked food from oven and be careful do not touch the heat element on the top of cavity.

Heating food fast, generally only 2 to 3 minutes, please control in 5 minutes. Please pay attention to the cooking condition of the food at any time and adjust it according to your taste preference. Avoid overheating. When heating porridge, congee, should first stir evenly, and then cover with plastic film (leave corners for ventilation) or with a perforated lid heating.

At mid-point to defrosting time, please open the door to turn the food, so that the defrosting effect is more uniform.

## USTENSILS GUIDLINE

It is strongly recommended to use containers which are suitable and safe for microwave cooking. Generally speaking, the containers which are made of heat-resistant ceramic, glass or plastic are suitable for microwave cooking. Never use metal containers for microwave cooking and combination cooking as spark is likely to occur. You can take the reference of below table.

Material of container	Microwave	Notes
Heat-resistant ceramic	Yes	Never use the ceramics which are decorated with metal rim or glazed
Heat-resistant plastic	Yes	Can not be used for long time microwave cooking
Heat-resistant glass	Yes	
Grill rack	No	
Plastic film	Yes	It should not be used when cooking meat or chops as the over-temperature may do damage to the film

## COOKING TIPS

The following factors may affect the cooking result:

### Food arrangement

Place thicker areas towards the outside of dish, the thinner part towards the center and spread it evenly. Do not overlap if possible.

### Cooking time length

Start cooking with a short time setting, evaluate it after it times out and extend it according to the actual need. Over cooking may result in smoke and burns.

### Cooking food evenly

Food such as chicken, hamburger or steak should be turned once during cooking. Depending on the type of food, if applicable, stir it from outside to center of dish once or twice during cooking.

### Allow standing time.

After cooking times out, leave the food in the oven for an adequate length of time, this allows it to complete its cooking cycle and cooling it down in a gradual manner.

**Whether the food is done**

Color and hardness of food help to determine if it is done, these include:

- Steam coming out from all parts of food, not just the edge
- Joints of poultry can be moved easily
- Pork or poultry shows no signs of blood
- Fish is opaque and can be sliced easily with a fork

**Browning dish**

When using a browning dish or self-heating container, always place a heat-resistant insulator such as a porcelain plate under it to prevent damage to the turntable and rotating ring.

**Microwave safe plastic wrap**

When cooking food with high fat content, do not allow the plastic wrap come into contact with food as it may melt

**Microwave safe plastic cookware**

Some microwave safe plastic cookware might not be suitable for cooking foods with high fat and sugar content. Also, the preheating time specified in the dish instruction manual must not be exceeded.

## 7. CLEANING AND MAINTANACE

### CLEANING

The oven should be cleaned regularly, and any food deposits removed.

- a. Remove the power cord from the wall outlet before cleaning. After cooling products. Don't immerse the appliance in water or other fluids when cleaning.
- b. Failure to maintain the oven in a clean condition could lead to deterioration of the surface that could adversely affect the life of the appliance and possibly result in a hazardous situation.
- c. Never use hard detergent, gasoline, abrasive powder or metal brush to clean any part of the appliance.
- d. Do not remove the waveguide cover.
- e. When the microwave oven has been used for a long time, there may be some strange odors exist in oven, following 3 methods can get rid of them:
  - 1) Place several lemon slices in a cup, then heat with high Micro Power for 2-3 min.
  - 2) Place a cup of red tea in oven, then heat with high micro power.
  - 3) Put some orange peel into oven, and then heat them with high Micro Power for 1 minute.
- f. When the product is not used, it should be placed in dry and ventilated areas as well as possible.

Details how to clean surfaces in contact with food:

After using the waveguide cover with a damp cloth, followed by dry cloth to remove any food splashes and grease. Built-up grease may overheat and begin to cause smoke or catch fire.



## TIPS FOR CLEANING

Details for cleaning door seals, cavity and adjacent parts:

### Exterior:

Wipe the enclosure with a dampened soft cloth.

### Door:

Using a dampened soft cloth, wipe clean the door and window.

Wipe the door seals and adjacent parts to remove any spill or spatter.

Wipe the control panel with a slightly dampened soft cloth.

### Interior walls:

Wipes clean the interior surfaces with a dampened soft cloth.

Wipes clean the waveguide cover to remove any food splashed.

### Turntable / Rotation ring / Rotation axis:

Wash with mild soap water

Rinse with clean water and allow drying thoroughly.

## MAINTANACE

### SERVICING

Please check the following before calling for services.

1. Place one cup of water (approx.150ml) in a glass measure in the oven and close the door securely. Oven lamp should go off if the door is closed properly. Let the oven work for 1 min.
2. Does the oven lamp light?
3. Does the cooling fan work?  
(Put your hand over the rear ventilation openings.)
4. Does the turntable rotate?  
(The turntable can rotate clockwise or counterclockwise. This is quite normal.)
5. Is the water inside the oven hot?
- 6.

If "NO" is the answer to any of the above questions, please check your wall socket and the fuse in your meter box.

If both the wall socket and the fuse are functioning properly, **CONTACT YOUR NEAREST SERVICE CENTER APPROVED.**

### SERVICING SAFEGUARDS

**Caution:** MICROWAVE RADIATION

1. The high voltage capacitor remains charged after disconnection; short the negative terminal of H. V capacitor to the oven chassis (use a screwdriver) to discharge before touching.
2. During servicing below listed parts are liable to be removed and give access to potentials above 250V to earth.

- Magnetron
  - High voltage transformer
  - High voltage capacitor
  - High voltage diode
  - High voltage fuse
3. The following conditions may cause undue microwave exposure during servicing.
- Improper fitting of magnetron.
  - Improper matching of door interlock, door hinge and door.
  - Improper fitting of switch support.
  - Door, door seal or enclosure has been damaged.

## CUSTOMER CARE AND SERVICE

Always use original spare parts.

When contacting our Authorized Service Centre, ensure that you have the following data available: Model and Serial Number.

The information can be found on the rating plate. Subject to change without notice.

## TECHNICAL DATA

The technical information is situated in the rating plate on the internal side of the appliance and on the energy label.

The QR code on the energy label supplied with the appliance provides a web link to the information related to the performance of the appliance in the EU EPREL database.

Keep the energy label for reference together with the user manual and all other documents provided with this appliance.

It is also possible to find the same information in EPREL using the link <https://eprel.ec.europa.eu> and the model name and product number that you find on the rating plate of the appliance.

To access information about your product in the EPREL portal, you can scan the codes below:

Thank you for purchasing this product. If you need support with your product, visit our website using the links below.

**Get User manuals:** <https://www.heinner.ro>

**Get Service information:** <https://www.heinner.ro>

**Environment friendly disposal**

You can help protect the environment!

Please remember to respect the local regulations: hand in the non-working electrical equipment's to an appropriate waste disposal center.



**HEINNER** is a registered trademark of **Network One Distribution SRL**. Other brands and product names are trademarks or registered trademarks of their respective holders.

No part of the specifications may be reproduced in any form or by any means or used to make any derivative such as translation, transformation, or adaptation without permission from NETWORK ONE DISTRIBUTION.

Copyright © 2013 Network One Distribution. All rights reserved.

[www.heinner.com](http://www.heinner.com), <http://www.nod.ro>



This product is in conformity with norms and standards of European Community



Importer: **Network One Distribution**

Marcel Iancu Street, 3-5, Bucharest, Romania

Tel: +40 21 211 18 56, [www.heinner.com](http://www.heinner.com) , [www.nod.ro](http://www.nod.ro)

# CUPTOR CU MICROUNDRE

Model:  
**HMW-M2535BK**



- Cuptor cu microundre
- Capacitate totală: 25L

**HEINNER**

## 1. INTRODUCERE

Vă rugăm să citiți instrucțiunile cu atenție și să păstrați manualul pentru consultări ulterioare.

Acest manual are scopul de a vă oferi toate instrucțiunile necesare cu privire la instalarea, utilizarea și întreținerea aparatului. Pentru utilizarea corectă și în siguranță a aparatului, vă rugăm să citiți cu atenție acest manual de instrucțiuni înainte de instalare și utilizare.

## 2. CONȚINUTUL PACHETULUI DUMNEAVOASTRĂ

- ➔ Cuptor cu microunde
- ➔ Manual de utilizare
- ➔ Certificat de garanție

## 3. CONȚINUTUL PACHETULUI DUMNEAVOASTRĂ

### GENERALITĂȚI

**AVERTISMENT: NU PORNIȚI CUPTORUL CU MICROUNDE DACĂ ÎN INTERIORUL ACESTUIA NU SE AFLĂ NICIUN RECIPIENT CU ALIMENTE SAU LICHIDE. ACEASTA POATE DUCE LA DEFECTAREA CUPTORULUI.**

**AVERTISMENT:** Dacă ușa/garnitura ușii este deteriorată, opriți utilizarea aparatului până la repararea acestuia de către o persoană calificată.

**AVERTISMENT:** Efectuarea operațiilor de întreținere sau a reparațiilor care implică îndepărtarea carcaselor care oferă protecție împotriva expunerii la microunde este periculoasă pentru persoanele necalificate.

**AVERTISMENT:** Nu încălziți în recipiente închise ermetic lichide sau alte alimente, deoarece acestea pot exploda. În cazul apariției unei scurgeri cauzate de deteriorarea componentelor schimbătorului de căldură, mutați frigiderul la distanță de sursele de flacără deschisă sau de căldură și aerisiți timp de câteva minute camera în care se află aparatul.

1. Utilizați numai recipiente care sunt potrivite pentru utilizare în cuptorul cu microunde.
2. Nu utilizați în cuptorul cu microunde recipiente din metal pentru lichide sau alimente.
3. Atunci când încălziți alimente în recipiente din plastic sau hârtie, există riscul de aprindere a acestora. Din acest motiv, procesul de încălzire trebuie supravegheat permanent.
4. Cuptorul cu microunde este destinat încălzirii alimentelor și băuturilor. Uscarea alimentelor sau a articolelor de îmbrăcăminte, încălzirea pernelor, papucilor, bureților cârpelor umede sau a altor obiecte similare pot duce la risc de rănire sau producere a incendiilor.
5. În cazul în care observați fum, opriți aparatul sau deconectați ștecărul de la sursa de alimentare și țineți ușa închisă pentru a înăbuși eventualele flăcări. Încălzirea cu microunde a băuturilor poate avea ca rezultat stropirea din cauza fierberii prelungite; prin urmare, trebuie să acordați atenție deosebită atunci când manevrați recipientul.
6. Pentru a evita arsurile, agitați biberoanele și borcanele cu alimente pentru copii sau amestecați conținutul acestora și verificați temperatura alimentelor înainte de a hrăni copiii.
7. Nu încălziți în cuptor ouă cu coajă sau ouă fierte, deoarece acestea pot exploda chiar și după finalizarea procesului de încălzire.-
8. În cazul în care cuptorul nu este menținut curat, suprafețele acestuia se pot deteriora, durata de utilizare a produsului poate fi diminuată, putând apărea chiar situații periculoase.

9. Aparatul nu trebuie să fie montat într-un dulap.
10. Acționați cu prudență, astfel încât să nu dislocați platoul rotativ atunci când scoateți recipientele din aparat.
11. Aparatul nu trebuie curățat cu un aparat de curățare cu aburi.
12. Aparatul nu trebuie să fie instalat la mai mult de 900 mm deasupra podelei. Spațiul liber necesar deasupra suprafeței superioare a cuptorului: Consultați schema de instalare.

**AVERTISMENT:** Atunci când aparatul este utilizat în modul de preparare combinată, copiii trebuie să utilizeze cuptorul numai sub supravegherea unui adult, deoarece acesta generează temperaturi foarte ridicate.

13. Pentru evitarea pericolelor, în cazul în care cablul de alimentare este deteriorat, acesta trebuie înlocuit de către producător, de către agentul său de service sau de persoane cu o calificare similară.
14. Aparatul poate fi utilizat de către copii cu vârste începând de la 8 ani și de către persoane cu capacități fizice, senzoriale sau mentale reduse, cu lipsă de experiență sau cunoștințe, numai dacă acestea sunt supravegheate sau instruite în ceea ce privește utilizarea în siguranță a aparatului și dacă înțeleg pericolele pe care le implică utilizarea.
15. Copiii nu au voie să se joace cu aparatul.
16. Curățarea și întreținerea nu trebuie efectuate de către copii nesupravegheați.
17. Aparat din grupa 2, clasa B  
Echipamente ISM din grupa 2: grupa 2 conține toate echipamentele ISM în care energia de radiofrecvență este generată în mod intenționat și/sau utilizată sub formă de radiație electromagnetică pentru tratarea materialelor, precum și echipamentele de prelucrare prin electroeroziune și echipamentele pentru sudare cu arc electric.  
Echipamentele din clasa B sunt echipamente care pot fi utilizate în locuințe și în unități direct conectate la o rețea de alimentare cu energie electrică de joasă tensiune care alimentează clădiri utilizate în scopuri casnice.
18. După instalarea aparatului, ștecărul trebuie să rămână ușor accesibil.
19. Acest aparat nu trebuie să fie montat într-un dulap cu ușă.
20. Fluxul luminos al sursei de lumină LED interne a acestui produs este < 60lm.
21. În timpul utilizării, aparatul devine fierbinte. Evitați atingerea elementelor de încălzire din interiorul cuptorului.

**AVERTISMENT:** Componentele accesibile se pot încinge în timpul utilizării. Copiii cu vârste mici trebuie ținuți la distanță de aparat.

**AVERTISMENT:** Aparatul și zonele accesibile ale acestuia se pot încinge pe parcursul folosirii.

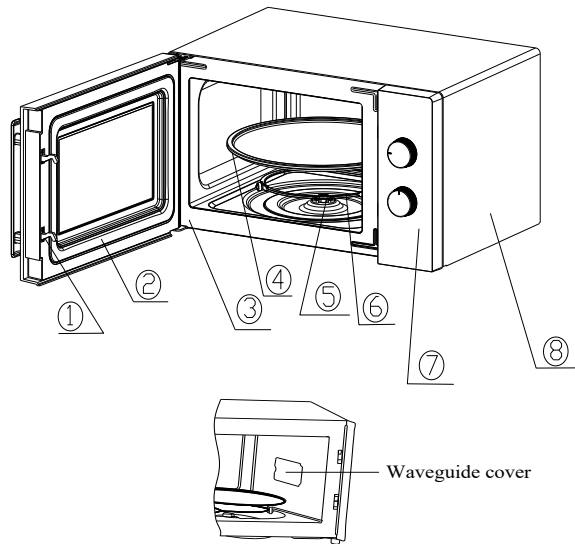
22. Evitați atingerea zonelor care se încing.
23. Nu lăsați copiii cu vârste sub 8 ani în preajma aparatului decât dacă aceștia sunt supravegheați neîntrerupt.
24. Nu utilizați agenți de curățare abrazivi sau bureți metalici pentru curățarea geamului ușii cuptorului, deoarece acesta se poate zgâria sau se poate sparge.
25. Pentru evitarea supraîncălzirii, aparatul nu trebuie să fie instalat în spatele unei uși decorative. Aparatul poate fi utilizat de către copii cu vârste începând de la 8 ani și de către persoane cu capacități fizice, senzoriale sau mentale reduse, cu lipsă de experiență sau cunoștințe, numai dacă acestea sunt supravegheate sau instruite în ceea ce privește utilizarea în siguranță a aparatului și dacă înțeleg pericolele pe care le implică utilizarea. Copiii nu au voie să se joace cu aparatul. Curățarea și întreținerea nu trebuie să fie efectuate de către copii în lipsa detaliilor care să indice instalarea corectă a rafturilor.

### OBSERVAȚII:

- Vă rugăm să citiți cu atenție manualul de instrucțiuni înainte de a instala și utiliza aparatul dumneavoastră. Nu ne asumăm nicio răspundere pentru daunele apărute ca urmare a utilizării necorespunzătoare.
- Respectați toate instrucțiunile de pe aparat și din manualul de instrucțiuni și păstrați acest manual într-un loc sigur, pentru a remedia problemele care ar putea interveni în viitor.
- Acest aparat este destinat uzului casnic și nu poate fi utilizat în alte scopuri decât cele specificate. Nu este potrivit pentru utilizare comercială sau în comun. O asemenea utilizare va duce la anularea garanției aparatului, iar compania noastră nu va fi responsabilă pentru pierderile care vor apărea.

- Acest aparat este produs în vederea utilizării casnice și este adecvat numai pentru răcirea/depozitarea alimentelor. Nu este potrivit pentru utilizare comercială sau în comun și/sau pentru depozitarea substanțelor nealimentare. Compania noastră nu este responsabilă pentru pierderile care vor apărea în caz contrar.

## 4. DESCRIEREA PRODUSULUI



### 1. Sistem de blocare a ușii

Ușa cuptorului cu microunde trebuie să fie închisă corespunzător pentru ca acesta să funcționeze

### 2. Fereastră de vizualizare

Aceasta permite utilizatorului să urmărească procesul de preparare

### 3. Cavitățile cuptorului

#### 4. Platou rotativ

Recipientele cu alimente sunt așezate pe platoul rotativ; mișcarea de rotație ajută la prepararea uniformă a alimentelor

- Așezați mai întâi inelul rotativ

- Potriviiți platoul rotativ pe axul rotativ și asigurați-vă că acesta este poziționat corespunzător

#### 5. Ax rotativ

Axul rotește platoul sticlă cu ajutorul motorului situat sub acesta

#### 6. Inel rotativ

Platoul rotativ se sprijină pe roțile inelului rotativ; acesta susține platoul rotativ și îl echilibrează

#### 7. Panou de comandă

Consultați detaliile de mai jos (configurația panoului de control poate fi modificată fără o notificare prealabilă)

#### 8. Capac exterior

Folosit pentru împachetarea și protejarea pieselor structurale interne și a componentelor electrice ale întregii mașini

#### Capacul ghidului de undă

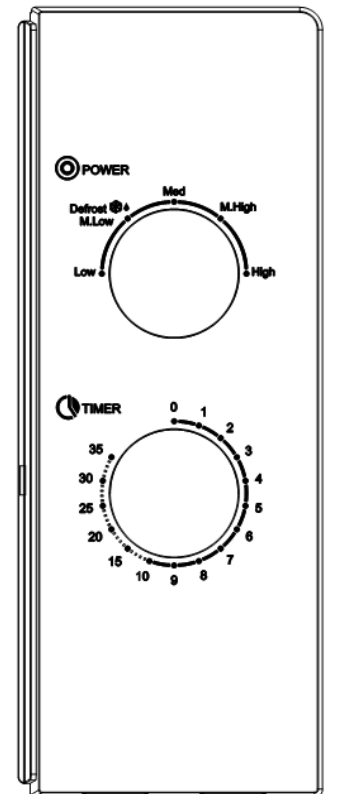
Acesta este situat în interiorul cuptorului cu microunde, lângă peretele panoului de comandă

Nu demontați niciodată capacul ghidului de undă.

## 5. INSTALARE

1. Îndepărtați toate ambalajele. Dacă aparatul este învelit într-o folie de protecție, îndepărtați folia înainte de utilizare. Verificați cu atenție dacă există deteriorări. Dacă aparatul prezintă deteriorări, contactați distribuitorul sau adresați-vă centrului de reparații al producătorului.
2. Cuptoarele cu microunde trebuie amplasate în medii uscate și necorosive, departe de surse de căldură și umiditate, cum ar fi arzătoarele sau rezervoarele de apă.
3. Pentru asigurarea unei ventilații corespunzătoare, distanța dintre partea din spate a aparatului și perete trebuie să fie de cel puțin 10 cm, distanța dintre părțile laterale și perete trebuie să fie de cel puțin 5 cm, iar spațiul de deasupra aparatului trebuie să aibă o înălțime de cel puțin 20 de cm. Aparatul trebuie așezat la o înălțime de cel puțin 85 de centimetri de podea.
4. Cuptorul trebuie amplasat departe de televizoare, aparate radio sau antene, deoarece acesta poate produce interferențe. Distanța trebuie să fie de cel puțin 5 m.
5. Aparatul trebuie poziționat astfel încât ștecărul să fie accesibil, iar priza de curent trebuie să fie prevăzută cu împământare.
6. Cuptorul cu microunde trebuie să funcționeze cu ușa închisă.
7. Cuptorul cu microunde nu trebuie așezat într-un dulap. Cuptorul cu microunde este destinat utilizării ca aparat de sine stătător.
8. Date fiind urmele de ulei industrial rămase pe pereții interiori ai cuptorului sau pe elementul de încălzire, este posibil ca în timpul primei utilizări să se simtă un miros specific sau chiar să iasă fum. Acest fenomen este normal și va dispărea după mai multe utilizări. Pentru a asigura o aerisire corespunzătoare, deschideți fereastra sau ușa. Astfel, înainte de prima utilizare, se recomandă să puneți o cană cu apă pe platoul rotativ, să reglați aparatul la o putere ridicată și să îl puneți în funcțiune de câteva ori

## 6. UTILIZAREA PANOULUI DE COMANDĂ





## 1. Setarea temporizatorului

Setarea maximă este de 35 de minute, există un ton de apel la sfârșit, iar butonul revine în poziția „0”

## 2. FUNCȚIONAREA CUPTORULUI CU MICROUND

HIGH (PUTERE RIDICATĂ)	100% putere microunde	(Preparare rapidă)
M.High (putere medie-ridicată)	80% putere microunde	(Preparare normală)
Med (putere medie)	55% putere microunde	(Preparare lentă)
M.Low (putere medie-scăzută)	30% putere microunde	(băuturi sau supe)
Decongelare	30% putere microunde	(Decongelare)
LOW (PUTERE SCĂZUTĂ)	17% putere microunde	(menținere la cald)

Mai jos sunt câteva sfaturi privind timpul de decongelare a alimentelor:

No.	Greutate (g)	Timp decongelare
1	200g	Aprox 4 minute
2	400g	Aprox 8 minute
3	600g	Aprox 12 minute

1) Conectați aparatul la sursa de alimentare cu energie electrică.

Înainte de introducerea ștecărului în priză, asigurați-vă că temporizatorul este în poziția „0”

Nu blocați orificiile de ventilație

2) Puneți alimentele pe platoul rotativ și închideți ușa

Alimentele trebuie să fie introduse într-un recipient

3) Selectați nivelul de putere dorit

4) Setați temporizatorul

Dacă timpul de preparare dorit este de mai puțin de 10 minute, rotiți butonul temporizatorului până la poziția care indică 10 minute, apoi rotiți-l înapoi până la setarea dorită.

5) După setarea duratei, prepararea va începe. Dacă doriți să întrerupeți procesul de preparare, deschideți ușa în orice moment, apoi închideți-o pentru a relua prepararea.

6) La finalizarea procesului de preparare, cuptorul cu microunde va emite un semnal sonor, iar lampa din interiorul cuptorului se va stinge automat.

Dacă alimentele sunt scoase din cuptor înainte de finalizarea procesului de preparare, asigurați-vă că ați pus butonul temporizatorului în poziția „0”, pentru a evita funcționarea cuptorului cu microunde fără alimente înăuntru.

7) Se recomandă purtarea mănușilor atunci când scoateți alimentele gătitе din cuptor și aveți grijă să nu atingeți elementul de căldură din partea superioară a cavității.

Încălzirea rapidă a alimentelor, în general doar 2 până la 3 minute, vă rugăm să controlați în 5 minute. Vă rugăm să fiți atenți la starea de gătitе a alimentelor în orice moment și să o ajustați în funcție de preferințele dvs. de gust. Evitați supraîncălzirea. Când se încălzește terci, congee, trebuie mai întâi să se

amestece uniform și apoi să se acopere cu folie de plastic (lăsați colțurile pentru ventilație) sau cu un capac perforat de încălzire.

La mijlocul timpului de dezghețare, vă rugăm să deschideți ușa pentru a întoarce alimentele, astfel încât efectul de dezghețare să fie mai uniform.

## INDICAȚII PRIVIND UTILIZAREA RECIPIENTELOR

Vă recomandăm să utilizați numai recipiente potrivite pentru prepararea alimentelor în cuptorul cu microunde. În general, recipientele fabricate din ceramică, sticlă sau plastic rezistente la căldură sunt potrivite pentru prepararea cu microunde. Nu utilizați niciodată recipientele metalice în cazul preparării cu microunde sau al preparării combinate, deoarece există riscul de producere a scânteilor. Pentru detalii suplimentare, consultați tabelul de mai jos:

Materialul recipientului	Microunde	Observații:
Ceramică termorezistentă	Da	Nu utilizați vase cu decorațiuni din metal sau vase smălțuite
Plastic termorezistent	Da	Nu poate fi utilizat pentru perioade îndelungate
Sticlă termorezistentă	Da	
Folie din plastic	Da	Aceasta nu trebuie utilizată atunci când preparați carne sau cotlete, deoarece temperatura ridicată poate deteriora folia
Grătar pentru grill	Nu	
Hârtie și lemn de bambus	Nu	Termorezistență scăzută Nu pot fi utilizate pentru preparare la temperaturi ridicate

## SFATURI PRIVIND PREPARAREA

Factorii de mai jos pot afecta rezultatul preparării:

### Disponerea alimentelor

Dispuneți părțile mai groase ale alimentelor către exteriorul platoului rotativ, iar pe cele mai subțiri către mijlocul acestuia. Dacă este posibil, nu suprapuneți alimentele.

### Durata preparării

Începeți procesul cu o durată redusă de preparare, observați rezultatul, apoi măriți durata după caz. Prepararea excesivă poate provoca fum sau arsuri.

### Prepararea uniformă a alimentelor

Produsele cum ar fi carnea de pui, hamburgerii sau friptura trebuie întoarse în timpul preparării.

În funcție de tipul de aliment, dacă este cazul, amestecați în recipient dinspre exterior către centru, o dată sau de două ori.

**Lăsați alimentele să se „pătrundă”**

După finalizarea preparării, lăsați alimentele în cuptor pentru o perioadă de timp adecvată, permițând acestora să se „pătrundă” și să se răcească treptat.

**Verificarea alimentelor**

Verificați culoarea și consistența alimentelor, pentru a vă asigura că acestea sunt bine preparate:

- Verificați dacă aburul iese de pe toată suprafața preparatului, nu numai de pe margine
- Verificați dacă articulațiile cărnii de pasăre pot fi mișcate cu ușurință
- Asigurați-vă că în carnea de porc sau de pasăre nu mai este sânge
- Asigurați-vă că peștele este opac și că poate fi tăiat ușor cu furculița

**Utilizarea unui vas special pentru rumenire**

Atunci când utilizați un vas pentru rumenire sau un recipient cu autoîncălzire, puneți întotdeauna sub acesta un izolator termorezistent, cum ar fi o farfurie de porțelan, pentru a preveni deteriorarea platoului rotativ și a inelului rotativ.

**Utilizarea unei folii de plastic**

Atunci când preparați alimente cu un conținut ridicat de grăsimi, nu lăsați folia din plastic să intre în contact cu alimentele, deoarece aceasta se poate topi.

**Utilizarea unor recipiente din plastic corespunzătoare**

Este posibil ca anumite vase din plastic pentru microunde să nu fie potrivite pentru prepararea alimentelor cu un conținut ridicat de grăsimi sau zahăr. De asemenea, durata de preîncălzire specificată în manualele de instrucțiuni ale recipientelor nu trebuie depășită.

## 7. CURĂȚARE ȘI ÎNTREȚINERE

### CURĂȚARE

Cuptorul trebuie curățat cu regularitate, iar depunerile de alimente trebuie înlăturate.

- a. Înainte de curățare, deconectați ștecărul de la sursa de alimentare și așteptați ca aparatul să se răcească. În timpul curățării, nu introduceți aparatul în apă sau în alte lichide.
- b. În cazul în care cuptorul nu este menținut curat, suprafețele acestuia se pot deteriora, durata de utilizare a produsului poate fi diminuată, putând apărea chiar situații periculoase.
- c. Nu utilizați pentru curățarea aparatului detergenți foarte puternici, benzină, pulberi abrazive sau bureți metalici.
- d. Nu scoateți capacul ghidului de undă.
- e. După o utilizare îndelungată a cuptorului cu microunde, din interiorul acestuia pot fi emanate mirosuri neplăcute. Pentru înlăturarea acestor mirosuri, aveți la dispoziție următoarele 3 metode:
  - 1) Puneți câteva felii de lămâie într-o ceașcă, apoi puneți aparatul în funcțiune la putere ridicată timp de 2 - 3 minute.
  - 2) Puneți în cuptor o ceașcă de ceai roșu, apoi încălziți ceaiul punând aparatul în funcțiune la putere ridicată.
  - 3) Puneți în cuptor câteva coji de portocală, apoi puneți aparatul în funcțiune la putere ridicată timp de 1 minut.
- f. Atunci când produsul nu este utilizat, acesta trebuie depozitat într-un spațiu uscat și bine aerisit.

Detalii privind modul de curățare a suprafețelor care intră în contact cu alimentele:

După utilizarea cuptorului, ștergeți capacul ghidului de undă cu o cârpă moale, apoi cu una uscată, pentru a înlătura stropii de grăsime sau de alimente. Depunerea unui strat gros de grăsime se poate supraîncălzi, poate duce la emiterea de fum și poate lua foc.

### SFATURI PENTRU CURĂȚARE

Detalii privind curățarea garniturii ușii, a interiorului și a zonelor adiacente:

#### Exteriorul:

Ștergeți exteriorul aparatului cu o cârpă și moale și umedă.

#### Ușa:

Ștergeți ușa și geamul cuptorului cu o cârpă și moale și umedă.

Ștergeți garnitura și zonele adiacente, îndepărtând petele și stropii.

Ștergeți panoul de comandă cu o cârpă și moale și puțin umezită.

#### Pereții interiori:

Ștergeți suprafețele interioare cu o cârpă moale umezită.

Ștergeți capacul ghidului de undă pentru a îndepărta stropii de pe acesta.

#### Platoul rotativ/Inelul rotativ/Axul rotativ:

Spălați-le cu apă și detergent neutru

Clătiți-le cu apă curată și ștergeți-le bine.

## ÎNTREȚINERE

### REPARAȚII

Înainte de a contacta un tehnician calificat, verificați următoarele:

1. Puneți în cuptor o cană cu apă (aprox. 150ml) într-un pahar de măsură din sticlă și închideți ușa cuptorului. Dacă ușa este închisă corespunzător, lampa cuptorului se stinge. Lăsați cuptorul să funcționeze timp de un minut.
2. Lampa cuptorului se aprinde?
3. Ventilatorul funcționează?  
(Puneți mâna la orificiile de ventilație din partea din spate a cuptorului.)
4. Platoul rotativ se rotește?  
(Platoul rotativ se rotește în sens orar sau antiorar. Acest lucru este normal.)
5. Apa din interiorul cuptorului este fierbinte?

Dacă la oricare dintre întrebările de mai sus răspunsul este „NU”, vă rugăm să verificați priza de perete și siguranța circuitului electric din locuință.

Dacă priza de perete și siguranța circuitului electric funcționează corespunzător, **CONTACTAȚI CEA MAI APROPIATĂ UNITATE DE SERVICE AUTORIZATĂ.**

### MĂSURI DE PROTECȚIE PRIVIND DEPANAREA

#### Atenție: RADIAȚII DE MICROUND

1. Energia electrică este prezentă în condensatorul de înaltă tensiune după deconectarea de la sursa de alimentare. Scurtcircuitați borna negativă a condensatorului de înaltă tensiune cu cadrul cuptorului (utilizați o șurubelniță) pentru a-l descărca înainte de a-l atinge.
2. În timpul efectuării reparațiilor, componentele de mai jos pot fi înlocuite și au potențiale electrice de

- peste 250 V.
- Magnetron
  - Transformator de înaltă tensiune
  - Condensator de înaltă tensiune
  - Diodă de înaltă tensiune
  - Siguranță de înaltă tensiune
3. Împrejurările descrise mai jos pot duce la expunerea excesivă la acțiunea microundelor:
- Instalarea necorespunzătoare a magnetronului.
  - Montarea incorectă a sistemului de blocare a ușii, a balamalelor sau a ușii.
  - Instalarea incorectă a întrerupătorului.
  - Ușa, garnitura ușii sau carcasa au fost deteriorate.

## SERVICE ȘI ASISTENȚĂ PENTRU CLIEȚI

Utilizați numai piese de schimb originale.

Când contactați centrul nostru de service autorizat, asigurați-vă că aveți la îndemână următoarele informații: Denumirea modelului și numărul de serie.

Informațiile pot fi găsite pe plăcuța cu date tehnice. Acestea pot suferi modificări fără o notificare prealabilă.

## DATE TEHNICE

Informațiile tehnice se află pe plăcuța cu date tehnice din interiorul aparatului și pe eticheta energetică.

Codul QR de pe eticheta energetică furnizată împreună cu aparatul oferă un link web către informațiile din baza de date EPREL cu privire la performanțele aparatului.

Păstrați eticheta energetică pentru consultări ulterioare, împreună cu manualul de utilizare și cu toate celelalte documente furnizate împreună cu acest aparat.

De asemenea, puteți găsi aceleași informații în baza de date EPREL, folosind link-ul <https://eprel.ec.europa.eu> și denumirea modelului și numărul de serie al produsului, pe care le găsiți pe plăcuța cu date tehnice a aparatului.

Pentru a accesa informații despre produsul dumneavoastră în portalul EPREL, puteți scana codurile de mai jos:

Vă mulțumim pentru achiziționarea acestui produs! Dacă aveți nevoie de asistență în ceea ce privește produsul dumneavoastră, vizitați site-ul nostru web utilizând linkurile de mai jos.

**Obțineți manuale de utilizare:** <https://www.heinner.ro>

**Obțineți informații privind reparațiile:** <https://www.heinner.ro>



**MASURI PENTRU PROTECTIA MEDIULUI**

Va informam ca persoanele fizice au urmatoarele obligatii prin legislatia specifica privind protectia mediului si regimul deseurilor:

- Deseurile de echipamente electrice si electronice (DEEE), pot contine substante periculoase pentru mediu si sanatatea umana. Conform OUG 5/2015, exista obligativitatea predarii acestora, pentru tratarea corespunzatoare si valorificarea componentelor reciclabile. Societatea Network One Distribution S.R.L. este platitoare de taxa de "timbru verde" pentru fiecare Echipament Electric si Electronic (EEE) pe care il pune pe piata. Acest cost asigura tratarea ulterioara a echipamentelor uzate colectate. Din acest motiv, odata ce devine deseu, produsul EEE poate fi predat gratuit operatorului Dvs. de salubritate, la magazine atunci cand achizitionati alt echipament similar, sistemul "unul la unu" sau la punctul de colectare organizat de Primaria Sectorului / localitatii Dvs.
- Simbolul (marcajul) aplicat produselor, care indica faptul ca deseurile DEEE, bateriile si acumulatorii - fac obiectul unei colectari separate, il reprezinta o pubela barata cu o cruce.



#### ***Aceste masuri vor ajuta la protejarea mediului***

Societatea Network One Distribution S.R.L. este inregistrata in Registrul de punere pe piata a echipamentelor electrice si electronice, avand numarul de inregistrare: RO-2016-03-EEE-0201-IV. De asemenea, au fost intocmite si sunt gestionate: Registrul de Retragere EEE si Registrul de Rechemare EEE, in conformitate cu HG 322/2013. Totodata societatea este inregistrata in Registrul de punere pe piata a bateriilor, avand numarul de inregistrare: RO-2011-03-B&A-0283.

Conformitatea cu directiva RoHS: Produsul pe care l-ati cumparat este conform cu Directiva RoHS UE (2011/65/UE). Nu contine materialele daunatoare si interzise specificate in Directiva.

**Va multumim ca participati alaturi de noi la protejarea mediului si a sanatatii umane!**



**HEINNER** este marcă înregistrată a companiei **Network One Distribution SRL**. Celelalte branduri și denumirile produselor sunt mărci de comerț sau mărci de comerț înregistrate ale respectivilor deținători.

Nicio parte a specificațiilor nu poate fi reprodusă sub nicio formă și prin niciun mijloc, nici utilizată pentru obținerea unor derivate precum traduceri, transformări sau adaptări, fără consimțământul prealabil al companiei NETWORK ONE DISTRIBUTION.

Copyright © 2013 Network One Distribution. Toate drepturile rezervate.

[www.heinner.com](http://www.heinner.com), <http://www.nod.ro>



Acest produs este proiectat și realizat în conformitate cu standardele și normele Comunității Europene.



Importator: **Network One Distribution**

Str. Marcel Iancu, nr. 3-5, București, România

Tel: +40 21 211 18 56, [www.heinner.com](http://www.heinner.com), [www.nod.ro](http://www.nod.ro)

# МИКРОВЪЛНОВА ПЕЧКА

Модел:  
HMW-M2535BK



- Микровълнова печка
- Общ капацитет: 25 л.

**HEINNER**

## 1. ВЪВЕДЕНИЕ

Моля прочетете внимателно инструкциите и запазете наръчника за бъдещи справки.

Този наръчник има за цел да Ви предостави всички необходими инструкции по отношение на инсталирането, използването и поддържането на уреда. Преди инсталиране и използване на уреда, с цел правилна и безопасна употреба на уреда, моля прочетете внимателно този наръчник с инструкции.

## 2. СЪДЪРЖАНИЕ НА ВАШИЯ ПАКЕТ

- ➔ микровълнова печка
- ➔ Наръчник за употреба
- ➔ Сертификат за гаранция

## 3. СЪДЪРЖАНИЕ НА ВАШИЯ ПАКЕТ

### ОБЩИ УКАЗАНИЯ

**ПРЕДУПРЕЖДЕНИЕ: НЕ ВКЛЮЧВАЙТЕ МИКРОВЪЛНОВАТА ФУРНА, АКО ВЪВ ВЪТРЕШНОСТТА Й НЕ Е ПОСТАВЕН СЪД С ХРАНИ ИЛИ ТЕЧНОСТИ. ТОВА МОЖЕ ДА ДОВЕДЕ ДО ПОВРЕЖДАНЕ НА ФУРНАТА.**

**ПРЕДУПРЕЖДЕНИЕ:** Ако вратата/уплътнението на вратата е повредено, спрете да използвате уреда, докато не бъде ремонтирано от квалифицирано лице.

**ПРЕДУПРЕЖДЕНИЕ:** Извършването на операции за поддръжка или на ремонти, които включват отстраняване на корпусите, които предлагат защита от микровълни, е опасно за неквалифицирани лица. **ПРЕДУПРЕЖДЕНИЕ:** Не нагрявайте течности или други храни в херметически затворени съдове, тъй като те могат да експлодират. В случай на изтичане поради повреждане на компонентите на топлообменника, преместете хладилника далеч от източници на открит огън или топлина и проветрете за няколко минути помещението, където се намира уреда.

1. Използвайте само съдове, които са подходящи за използване в микровълнова фурна.
2. Не използвайте метални контейнери за течности или храни в микровълновата фурна.
3. Тогава, когато затопляте храни в пластмасови или хартиени съдове, има риск от тяхно запалване. Поради тази причина, процесът на затопляне трябва да се наблюдава постоянно.
4. Микровълновата фурна е предназначена за затопляне на храни и напитки. Изсушаването на храни или дрехи, затоплянето на възглавници, чехли, гъби за почистване, влажни кърпи или на други подобни предмети може да доведе до риск от нараняване или до възникване на пожар.
5. Ако забележите дим, изключете уреда или извадете щепсела от източника на захранване и дръжте вратата затворена, за да задушите евентуални пламъци. Микровълновото нагряване на напитки може да доведе до изпръскване поради продължително кипене; затова трябва да се обърне специално внимание при боравене с контейнера.
6. С цел предотвратяване на изгарянията разклатете бибероните и бурканите с детски храни или смесете тяхното съдържание и проверете температурата на храните преди да започнете храненето на децата.
7. Не нагрявайте във фурната яйца с кората или варени яйца, защото могат да експлодират дори и след приключване на процеса на затопляне.-
8. Ако фурната не се поддържа чиста, нейните повърхности могат да се повредят, като времето за



употреба на продукта може да се намали и могат да възникнат дори опасни ситуации.

9. Уредът не трябва да се монтира в шкаф.
10. Действайте внимателно, така че да не разместите въртящата се плоча, когато изваждате контейнерите от уреда.
11. Уредът не трябва да се почиства с парочистачка.
12. Уредът не трябва да се инсталира на повече от 900 мм над пода. Необходимото свободно пространство над горната повърхност на фурната: Вижте схемата за инсталиране.

**ПРЕДУПРЕЖДЕНИЕ:** Тогава, когато уредът се използва в режим на комбинирано приготвяне, децата трябва да използват фурната само под наблюдение на възрастно лице, защото във фурната се образуват много високи температури.

13. С цел предотвратяване на опасности, ако захранващият кабел е повреден, трябва да се подмени от производителя, от неговия сервизен представител или от лица с подобна квалификация.
14. Уредът може да се използва от деца на възраст от 8 години и от лица с намалени физически, сетивни или умствени възможности, които нямат опит или познания само, ако са наблюдавани или обучени относно безопасната употреба на уреда и, ако разбират опасностите, свързани с употребата.
15. Децата нямат право да си играят с уреда.
16. Почистването и поддръжката не трябва да се извършват от деца, които не са под наблюдение.
17. Уред от група 2, клас В  
ISM оборудване от група 2: група 2 съдържа цялото ISM оборудване, при което радиочестотната енергия умишлено се генерира и/или използва под формата на електромагнитно излъчване за обработка на материали, както и оборудване за електроерозионна обработка и оборудване за електродъгово заваряване.  
Оборудването от клас В е оборудване, което може да се използва в жилища и в обекти, директно свързани към мрежа за захранване с електроенергия с ниско напрежение, която захранва сгради, използвани за битови нужди.
18. След инсталиране на уреда, щепселът трябва да остане лесно достъпен.
19. Този уред не трябва да се монтира в шкаф с врата.
20. Светлинният поток на вътрешния светодиоден светлинен източник на този продукт е < 60lm.
21. По време на употреба уредът се нагрива. Предотвратявайте докосването на нагревателните елементи от вътрешността на фурната.

**ПРЕДУПРЕЖДЕНИЕ:** Достъпните компоненти могат да се нагриват по време на употреба. Децата на малка възраст трябва да стоят далеч от уреда.

**ПРЕДУПРЕЖДЕНИЕ:** Уредът и достъпните му зони може да се нагриват по време на употреба.

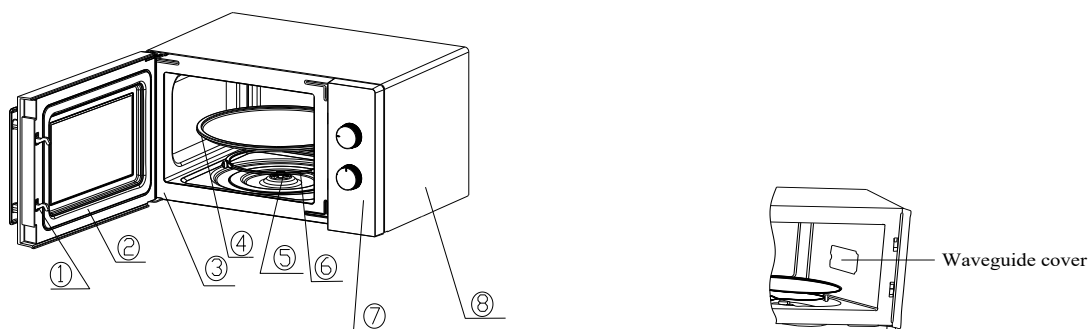
22. Избягвайте докосването на местата, които се нагриват.
23. Не допускате деца под 8 години около уреда само, ако не са под непрекъснат надзор.
24. Не използвайте абразивни агенти за почистване или метални телчета с цел почистване на стъклото на вратата на фурната, защото може да се надраска или спуква.
25. За да се предотврати прегряване, уредът не трябва да се инсталира зад декоративна врата. Уредът може да се използва от деца на възраст най-малко 8 години и от лица с намалени физически, сетивни или умствени способности, или с липса на достатъчен опит и познания, само ако са под наблюдение или са получили указания във връзка с използването на уреда по безопасен начин и ако разбират опасностите, които могат да възникнат при използване на уреда. Децата нямат право да си играят с уреда. Почистването и поддръжката не трябва да се извършват от деца при липса на детайли, указващи правилното инсталиране на рафтовете.

## ЗАБЕЛЕЖКИ:

- Моля, прочетете внимателно наръчника с инструкции преди инсталиране и използване на Вашия уред. Не поемаме никаква отговорност за щети, които са се появили вследствие на несъответстваща употреба.
- Спазвайте всички инструкции върху уреда и от наръчника с инструкции и съхранявайте този наръчник на сигурно място, за да отстраните проблемите, които могат да възникнат в бъдеще.

- Този уред е предназначен за домашна употреба и не трябва да се използва за цели, различни от посочените. Не е подходящ за търговска или съвместна употреба. Такъв вид употреба ще доведе до анулиране на гаранцията на уреда, а нашата компания няма да носи отговорност за загубите, които ще възникнат.
- Този уред е произведен с цел домашна употреба и е подходящ само за охлаждане/съхраняване на храни. Не е подходящ за търговска или съвместна употреба и/или за съхраняване на нехранителни вещества. Нашата компания не носи отговорност за загуби, които могат да възникнат в противен случай.

## 4. ОПИСАНИЕ НА ПРОДУКТА



### 1. Система за блокиране на вратата

Вратата на микровълновата фурна трябва да се затваря по съответстващ начин, така че да функционира.

### 2. Прозорец за наблюдение

Позволява на потребителя да следи през него процеса на приготвяне.

### 3. Кухина

#### 4. Въртяща се чиния

Съдовете с храни се поставят върху въртящата се чиния; въртящото движение помага за равномерно приготвяне на храните.

- Поставете първо въртящия се пръстен.

- Нагласете въртящата се чиния върху въртящата се ос и уверете се, че е позиционирана по съответстващ начин.

#### 5. Въртяща се ос

Стъкленият грамофон седи на ост; моторът под него задвижва грамофона да се върти

#### 6. Въртящ се пръстен

Стъкленият грамофон седи на колелата си; поддържа грамофона и му помага да балансира при въртене

#### 7. Контролен панел

Вижте подробности по-долу (контролният панел подлежи на промяна без предизвестие)

#### 8. Външен капак

Използва се за опаковане и защита на вътрешните структурни части и електрически компоненти на цялата машина

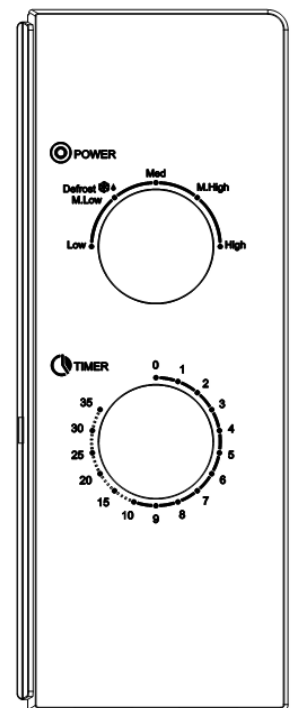
#### Капак на вълновода

Намира се вътре в микровълновата фурна, до стената на контролния панел.

## 5. ИНСТАЛИРАНЕ

1. Отстранете всички опаковки. Ако уредът е завит във защитно фолио, отстранете фолиото преди употреба. Проверете внимателно дали няма повреди. Ако уредът има повреди, свържете се с дистрибутора или обърнете се към оторизирания сервиз на производителя.
2. Микровълновите фурни трябва да се поставят в сухи и некорозионни среди, далеч от източници на топлина и влажност, като горелки или водни резервоари.
3. С цел осигуряване на съответстващо проветряване, разстоянието между задната страна на уреда и стената трябва да бъде най-малко 10 см, разстоянието между страничните части и стената трябва да бъде най-малко 5 см, а пространството над уреда трябва да има височина най-малко 20 см. Уредът трябва да се поставя на височина най-малко 85 см от пода.
4. Фурната трябва да се поставя далеч от телевизори, радиоапарати или антени, защото може да образува интерференции. Разстоянието трябва да бъде най-малко 5 метра.
5. Уредът трябва да се позиционира, така че щепселът да бъде достъпен, а електрическият контакт трябва да бъде заземен.
6. Микровълновата фурна трябва да функционира със затворена врата.
7. Микровълновата фурна не трябва да се поставя в шкаф. Микровълновата фурна е предназначена за употреба като самостоятелен уред.
8. Поради следите от индустриално масло, останали върху вътрешните стени на фурната или върху нагревателния елемент, е възможно по време на първата употреба да се усеща специфична миризма или дори да излиза дим. Това събитие е нормално и ще изчезне след няколко използвания. С цел осигуряване на съответстващо проветряване, отворете прозореца или вратата. Така, преди първата употреба, се препоръчва да поставите една кана с вода върху въртящата се чиния, да настроите уреда на висока мощност и да го включите няколко пъти

## 6. ИЗПОЛЗВАНЕ НА КОНТРОЛНИЯ ПАНЕЛ



## 1. НАСТРОЙКА НА ЧАСОВНИКА

Максималната настройка е 35 минути, накрая има мелодия и копчето се връща в позиция „0“.

## 2. ВЪРТЯЩ СЕ БУТОН ЗА ФУНКЦИИ / МОЩНОСТ

На разположение са 6 нива на мощност:

HIGH (ВИСОКА МОЩНОСТ)	100% мощност на микровълните	(бързо приготвяне)
M.High (средно-висока мощност)	80% мощност на микровълните	(нормално приготвяне)
Med (средна мощност)	55% мощност на микровълните	(бавно приготвяне)
M.Low (средно-ниска мощност)	30% мощност на микровълните	(напитки или супи)
Размразяване	30% мощност на микровълните	(Размразяване)
LOW (НИСКА МОЩНОСТ)	17% мощност на микровълните	(поддържане на топлината)

1) Свържете уреда към източника за захранване с електроенергия.

- Преди включване на щепсела в контакта, уверете се, че таймерът се намира в позиция "0".

- Не блокирайте вентилационните отвори.

2) Поставете храните върху въртящата се чиния и затворете вратата.

- Храните трябва да бъдат поставени в един съд.

3) Изберете желаното ниво на мощност.

4) Настройте таймера.

Ако желаното време за приготвяне е по-малко от 10 минути, завъртете бутона на таймера до позиция, която посочва 10 минути, след това завъртете го обратно до желаната настройка.

5) След настройка на времетраенето, приготвянето ще започне. Ако желаете да прекъснете процеса на приготвяне, отворете вратата във всеки момент, след това затворете я, за да възобновите приготвянето.

6) След приключване на процеса на приготвяне, микровълновата фурна ще издаде звуков сигнал и лампата от вътрешността на фурната ще се изключи автоматично.

Ако храните са извадени от фурната преди приключване на процеса на приготвяне, уверете се, че сте поставили бутона на таймера в позиция "0", за да предотвратите функционирането на микровълновата фурна без храна в нея.

7) Препоръчително е да носите ръкавици, когато изваждате сготвена храна от фурната и внимавайте да не докосвате нагревателния елемент в горната част на кухнята.

Бързо нагряване на храната, обикновено само 2 до 3 минути, моля, контролирайте след 5 минути.

Моля, обръщайте внимание на състоянието на готвене на храната по всяко време и го коригирайте според вашите вкусови предпочитания. Избягвайте прегряване. При нагряване на овесена каша, сместа трябва първо да се разбърква равномерно и след това да се покрие с пластмасово фолио (оставете ъгли за вентилация) или с перфориран капак за отопление.

В средата на времето за размразяване, моля, отворете вратата, за да обърнете храната, така че ефектът от размразяването да е по-равномерен.

## УКАЗАНИЯ ЗА ИЗПОЛЗВАНЕ НА СЪДОВЕТЕ

Препоръчваме Ви да използвате само подходящи съдове за приготвяне на храни в микровълнова фурна. Обикновено съдовете, които са произведени от керамика, стъкло или пластмаса и са устойчиви на топлина, са подходящи за приготвяне с микровълни. Никога не използвайте метални съдове при приготвяне с микровълни или при комбинирано приготвяне, защото има риск от образуване на искри. За допълнителни подробности вижте таблицата по-долу:

Материал на съда	Микровълни	Забележки:
Термоустойчива керамика	Да	Не използвайте съдове с метални украси или емайлирани съдове.
Термоустойчива пластмаса	Да	Не може да се използва за дълъг период от време.
Термоустойчиво стъкло	Да	
Стреч фолио	Да	Не трябва да се използва, ако приготвяте месо или котлети, защото високата температура може да повреди фолиото.
Скара за грил	Не	

## СЪВЕТИ ЗА ПРИГОТВЯНЕ НА ХРАНИ

Факторите по-долу могат да засегнат резултата от приготвянето:

### Разполагане на храните

Разположете по-дебелите части на храните към външната част на въртящата се чиния, а по-тънките към нейната среда. Ако е възможно, не поставяйте храните едни върху други.

### Времетраене на приготвянето

Започнете процеса с намалено времетраене за приготвяне, вижте резултата, след това увеличете времетраенето според случая. Прекомерно дългото приготвяне може да образува дим или изгаряния.

### Равномерно приготвяне на храните

Продукти като пилешко месо, хамбургери или пържоли трябва да се обръщат по време на приготвяне.

В зависимост от вида на храната, ако е необходимо, размесвайте в съда откъм външната страна към средата, един път или два пъти.

### Оставете храните да се "смесят"

След приключване на приготвянето, оставете храните във фурната за адекватен период от време, като им позволите да се "смесят" и да изстинат постепенно.

**Проверка на храните**

Проверете цвета и гъстотата на храните, за да се уверите, че са добре приготвени:

- Проверете дали парата излиза от цялата повърхност на препарата, не само от края
- Проверете дали ставите на пилешкото месо могат да бъдат раздвижени с лекота
- Уверете се, че в свинското или пtiчето месо няма вече кръв
- Уверете се, че рибата е непрозрачна и може да бъде нарязана лесно с вилица

**Използване на специален съд за препичане**

Тогава, когато използвате съд за препичане или съд за автоматично затопляне, винаги поставяйте под него термоустойчив изолатор, като порцеланова чиния, за да се предотврати повреждането на въртящата се чиния и въртящия се пръстен.

**Използване на стреч фолио**

Тогава, когато приготвяте храни с високо съдържание на мазнини, не оставяйте стреч фолиото да контактува с храните, защото може да се разтопи.

**Използване на съответстващи пластмасови съдове**

Възможно е определени пластмасови съдове за микровълни да не са подходящи за приготвяне на храни с високо съдържание на мазнини или захар. Също така, времетраенето за претопляне, посочено в наръчниците с инструкции на съдовете, не трябва да се превишава.

## 7. ПОЧИСТВАНЕ И ПОДДРЪЖКА

### ПОЧИСТВАН

Фурната трябва да се почиства редовно, а отлаганията на храни трябва да се отстраняват.

- a. Преди почистване, извадете щепсела от източника на захранване и изчакайте уредът да се охлади. По време на почистване, не потапяйте уреда във вода или други течности.
- b. Ако фурната не се поддържа чиста, нейните повърхности могат да се повредят, като времето за употреба на продукта може да се намали и могат да възникнат дори опасни ситуации.
- c. Не използвайте много силни препарати за миене, бензин, абразивни прахове или метални телчета с цел почистване на уреда.
- d. Не изваждайте капака на водача на микровълната.
- e. След дълга употреба на микровълновата фурна, от вътрешността ѝ могат да се отделят неприятни миризми. За отстраняване на тези миризми разполагате със следните 3 метода:
  - 4) Поставете няколко резенчета лимон в една чашка, след това включете уреда на висока мощност за 2-3 минути;
  - 5) Поставете във фурната една чашка с червен чай, след това стоплете чая включвайки уреда на висока мощност;
  - 6) Поставете във фурната няколко портокалови корички, след това включете уреда на висока мощност за 1 минута.
- f. Когато не се използва, продуктът трябва да се съхранява на сухо и добре проветриво място.

Детайли за това как да почиствате повърхностите, които влизат в контакт с храните:

След употреба на фурната, избършете капака на водача на микровълната с мека кърпа, след това със суха, за да отстраните капките от мазнина или храни. Натрупването на дебел слой мазнина може да прегрее, може да доведе до образуване на дим и може да се възпламени.

## СЪВЕТИ ЗА ПОЧИСТВАНЕ

Подробности относно почистването на уплътнението на вратата, на вътрешната част и на съседните зони:

### Външна част:

Избърсвайте външната част на уреда с мека и влажна кърпа.

### Врата:

Избърсвайте вратата и стъклото на фурната с мека и влажна кърпа.

Избърсвайте уплътнението и съседните зони отстранявайки петната и капките.

Избърсвайте контролния панел с мека и леко влажна кърпа.

### Вътрешни стени:

Избършете вътрешните повърхности с мека влажна кърпа.

Избърсвайте капака на водача на микровълната, за да отстраните капките върху него.

### Въртяща се чиния / Въртящ се пръстен / Въртяща се ос:

Измивайте ги с вода и неутрален препарат за миене.

Изплаквайте ги с чиста вода и избърсвайте ги добре.

## ПОДДРЪЖКА

### РЕМОНТИ

Преди да се свържете с квалифициран техник, проверете следното:

1. Поставете във фурната една кана с вода (около 150 мл) в стъклен измервателен съд и затворете вратата на фурната. Ако вратата е затворена по съответстващ начин, лампата на фурната изгасва. Оставете фурната да функционира за една минута.
2. Лампата на фурната светва ли?
3. Вентилаторът работи ли?  
(Поставете ръката си върху вентилационните отвори от задната страна на фурната.)
4. Въртящата се чиния върти ли се?  
(Въртящата се чиния се върти в посока на часовниковите стрелки или обратно на тях. Това е нормално.)
5. Водата от вътрешността на фурната гореща ли е?

Ако отговорът е "НЕ" за всички горепосочени въпроси, моля проверете стенния контакт и предпазителя на електрическата инсталация от жилището.

Ако стенният контакт и предпазителят на електрическата инсталация работят по съответстващ начин, тогава **СВЪРЖЕТЕ СЕ С НАЙ-БЛИЗКИЯ ОТОРИЗИРАН СЕРВИЗ.**

### ЗАЩИТНИ МЕРКИ ЗА ОТСТРАНЯВАНЕ НА ПРОБЛЕМИ

#### Внимание: РАДИАЦИИ НА МИКРОВЪЛНИ

1. Има електрическа енергия в кондензатора за високо напрежение след изключване от източника на захранване. Направете късо-съединение между негативния полюс на кондензатора за високо напрежение и рамката на фурната (използвайте отвертка), за да го разредите, преди да го докоснете.
2. По време на извършване на ремонти, компонентите по-долу могат да бъдат подменени и имат електрически потенциал над 250 V:
  - Магнетрон;

- Трансформатор за високо напрежение;
  - Кондензатор за високо напрежение;
  - Диод за високо напрежение;
  - Предпазител за високо напрежение.
3. Описаните по-горе обстоятелства могат да намалят прекомерното излагане на действието на микровълните:
- Несъответстващото инсталиране на магнетрона;
  - Неправилното монтиране на пантите, на вратата или на системата за блокиране на вратата;
  - Несъответстващото инсталиране на прекъсвача;
  - Вратата, уплътнението на вратата или корпусът са повредени.

## СЕРВИЗ И ОБСЛУЖВАНЕ НА КЛИЕНТИ

Използвайте само оригинални резервни части.

Когато се свързвате с нашия оторизиран сервизен център, уверете се, че имате под ръка следната информация: Наименование на модела и сериен номер.

Информацията може да бъде намерена на табелката с технически данни. Те подлежат на промяна без предварително уведомление.

## ТЕХНИЧЕСКИ ДАННИ

Техническата информация се намира на табелката с технически данни във вътрешността на уреда и на енергийния етикет.

QR кодът върху енергийния етикет, предоставен заедно с уреда, предлага уеб връзка към информацията от базата данни EPREL относно производителността на уреда.

Запазете енергийния етикет за бъдещи справки, заедно с ръководството за употреба и с всички други документи, доставени заедно с този уред.

Също така, можете да намерите същата информация в базата данни EPREL, като използвате връзката <https://eprel.ec.europa.eu> и наименованието на модела и серийния номер на продукта, които се намират на табелката с технически данни на уреда.

За да получите достъп до информация за вашия продукт в портала EPREL, можете да сканирате кодовете по-долу:

Благодарим Ви за закупуването на този продукт! Ако се нуждаете от помощ за вашия продукт, посетете нашия уебсайт, като използвате линковете по-долу.

**Получете ръководства за употреба:** <https://www.heinner.ro>

**Получете информация за ремонт:** <https://www.heinner.ro>



**Изхвърляне на отпадъците по начин, отговорен за околната среда**

Можете да помогнете за опазването на околната среда!

Моля спазвайте местните разпоредби: Предайте нефункциониращото електрическо оборудване на център за събиране на отпадъци от електрическо оборудване.

**HEINNER е регистрирана марка на компанията Network One Distribution SRL.**

Останалите търговски марки и наименованията на продуктите са търговски марки или регистрирани търговски марки на съответните им притежатели.

Нито една част от спецификациите не може да бъде възпроизвеждана под каквато и да е форма или средство, или използвана за получаване на производни като преводи, трансформации или адаптации, без предварителното съгласие на компанията NETWORK ONE DISTRIBUTION.

Copyright © 2013 Network One Distribution. Всички права запазени.

[www.heinner.com](http://www.heinner.com), <http://www.nod.ro>



Този продукт е проектиран и произведен в съответствие със стандартите и нормите на Европейската общност.

**Вносител: Network One Distribution**

ул. Марчел Янку № 3-5, Букурещ, Румъния

Тел: +40 21 211 18 56, [www.heinner.com](http://www.heinner.com) , [www.nod.ro](http://www.nod.ro)

# MIKROHULLÁMÚ SÜTŐ

Modell:  
**HMW-M2535BK**



- Mikrohullámú sütő
- Teljes kapacitás: 25L

**HEINNER**

## 1. BEVEZETŐ

Kérjük, figyelmesen olvassa el az utasításokat, és őrizze meg a kézikönyvet későbbi tanulmányozás céljából.

A kézikönyv célja a készülék beszerelésével, használatával és karbantartásával kapcsolatos minden szükséges tudnivalót rendelkezésére bocsátani. A készülék helyes és biztonságos használata érdekében, kérjük, hogy beszerelés és használat előtt olvassa el figyelmesen a használati kézikönyvet.

## 2. AZ ÖN CSOMAGJÁNAK TARTALMA

- ➔ Mikrohullámú sütő
- ➔ Használati kézikönyv
- ➔ Jótállási bizonylat

## 3. AZ ÖN CSOMAGJÁNAK TARTALMA

### ÁLTALÁNOSSÁGOK

**FIGYELMEZTETÉS: NE KAPCSOLJA BE A MIKROHULLÁMÚ SÜTŐT, HA BELSEJÉBEN NEM TALÁLHATÓ ÉTELT VAGY FOLYADÉKOT TARTALMAZÓ EDÉNY, EZ A SÜTŐ MEGHIBÁSODÁSÁHOZ VEZETHET.**

**FIGYELMEZTETÉS:** Ha az ajtó/ajtótömítés megsérült, ne használja a készüléket, amíg azt szakképzett személy meg nem javítja.

**FIGYELMEZTETÉS:** Szakképzett szerelőkön kívül mindenki más számára veszélyes olyan karbantartási vagy javítási művelet végezni, amely a mikrohullámú energia kisugárzása elleni védelmet biztosító burkolat eltávolításával jár. **FIGYELMEZTETÉS:** Ne melegítsen folyadékokat vagy más élelmiszereket légmentesen lezárt edényekben, mert azok felrobbanhatnak. Ha szivárgás következik be a hőcserélő alkatrészeinek károsodása miatt, akkor a hűtőszekrényt távolítsa el a nyílt láng vagy hőforrások közeléből és szellőztesse néhány percig a helyiséget, ahol a készülék található.

1. A mikrohullámos sütőben csakis mikrózható, megfelelő edényeket használjon.
2. Ne használjon fém folyadék- vagy ételedényeket a mikrohullámú sütőben.
3. Az élelmiszerek műanyag vagy papír edényekben való melegítésekor fennáll a lángra lobbanás veszélye. Ennek érdekében a melegítési folyamatot állandó felügyelet mellett végezze.
4. A mikrohullámú sütő élelmiszerek és italok felmelegítésére szolgál. Étel vagy ruha szárítása, melegítőpárna, papucs, nedves szivacs, rongy vagy más hasonló tárgy melegítése sérülést, robbanást vagy tüzet okozhat.
5. Ha füstöt észlel, kapcsolja ki a készüléket, vagy húzza ki a csatlakozót az áramforrásból, és tartsa zárva az ajtót, hogy elnyomja a lángokat. Az italok mikrohullámú melegítése a hosszan tartó forralás miatt fröccsenéshez vezethet, ezért az edény kezelésénél különös óvatossággal kell eljárni.
6. Az égési sérülések elkerülése érdekében rázza fel a cuclisüvegeket vagy a bébiételeket vagy keverje össze azok tartalmát, a gyermekek etetése előtt pedig ellenőrizze az élelmiszerek hőmérsékletét.
7. Ne melegítsen a sütőben egész tojást héjában vagy főtt tojást, mivel ezek a melegítési művelet befejezése után is szétduzzanhatnak.-
8. Ha nem tartja tisztán a sütőt, sérülhetnek a felületei, működési időtartama csökkenhet, akár veszélyes helyzetek is létrejöhetnek.

9. A készüléket nem szabad szekrénybe szerelni.
10. Legyen óvatos, hogy ne mozdítsa el a forgótányért, amikor kiveszi az edényeket a készülékből.
11. A készüléket nem szabad gőztisztítóval tisztítani.
12. A készüléket nem szabad 900 mm-nél magasabban felszerelni a padlótól. A sütő felső felülete felett szükséges távolság: lásd a beépítési ábrát.

**FIGYELMEZTETÉS:** A kombinációs módon való sütéskor a gyermekek csak felnőtt felügyelete mellett használhatják a sütőt, mivel ilyenkor nagyon nagy hőmérsékletek keletkeznek a sütőben.

13. A veszélyek elkerülése érdekében, ha a tápkábel megsérült, azt a gyártónak, a szervizközpontnak vagy hasonlóan képzett személynek kell kicserélnie.
14. Ezt a készüléket 8 éven felüli gyermekek és szellemileg fogyatékos- sérült vagy tapasztalattal nem rendelkező emberek csak akkor használhatják, ha az értük felelős személy felügyeli őket, illetve előzetesen megértette velük a készülék biztonságos használatát.
15. A gyermekeknek tilos játszani a készülékkel.
16. A berendezés tisztítását és karbantartását gyerekek felnőttek felügyeletének hiányában nem végezhetik.
17. 2. csoportba tartozó készülék, B osztály  
2. csoport ISM-berendezések: A 2. csoportba tartozik minden olyan ISM-berendezés, amelyben szándékosan rádiófrekvenciás energiát állítanak elő és/vagy használnak elektromágneses sugárzás formájában anyagok kezelésére, valamint az elektroeróziós feldolgozó berendezések és az ívhegesztő berendezések.  
A B. osztályú berendezések olyan berendezések, amelyek lakásokban és a háztartási célú épületeket ellátó kifesztésű villamosenergia-ellátó hálózatra közvetlenül csatlakoztatott egységekben használhatók.
18. A készülék beszerelése után a csatlakozóaljzatnak könnyen hozzáférhetőnek kell maradnia.
19. Ezt a készüléket nem szabad ajtóval ellátott szekrénybe szerelni.
20. A termék belső LED-es fényforrásának fényáramlása < 60lm.
21. A használat során a készülék felforrósodik. Kerülje a sütő belsejében lévő melegítő elemek érintését.

**FIGYELMEZTETÉS:** Az elérhető alkatrészek használat során felforrósodhatnak. Tartsa távol a készüléktől a kisgyermeket.

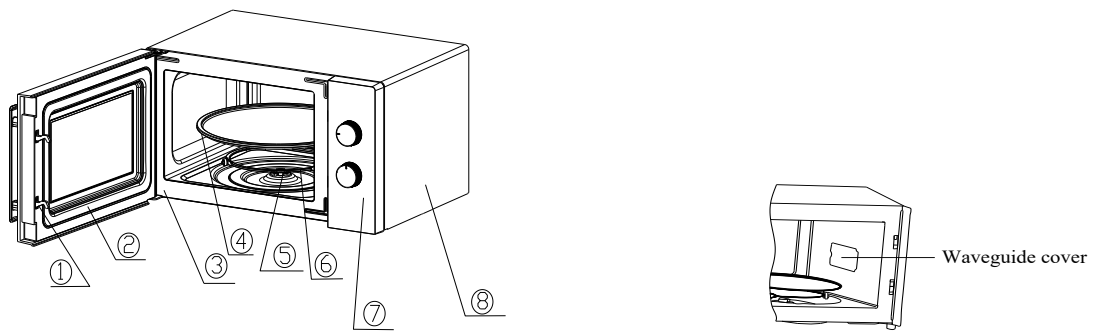
**FIGYELMEZTETÉS:** A készülék és hozzáférhető felületei ahasználat során felforrósodhatnak.

22. Kerülje a felforrósodott felületek megérintését.
23. Tartsa távol a készüléktől a 8 évnél kisebb gyermekeket, ha nincsenek állandó felügyelet alatt.
24. A sütő ablakának tisztításához ne használjon dörzshatású tisztítószeret vagy fémszivacsot, mert ezek megkarcolhatják az ablak felületét vagy eltörhetik azt.
25. A túlmelegedés elkerülése érdekében a készüléket egy díszajtó mögé szerelje fel. A készüléket 8 év fölötti gyerekek és korlátozott fizikai, érzékszervi vagy mentális képességekkel rendelkező, illetve a megfelelő tapasztalattal és jártassággal nem rendelkező személyek csak felügyelet mellett használhatják, vagy ha felkészítették őket a készülék biztonságos használatára, illetve ha tisztában vannak a helytelen használat veszélyeivel. A gyermekeknek tilos játszani a készülékkel. A polcok helyes felszerelésére vonatkozó adatok nélkül a tisztítást és karbantartást gyermekek nem végezhetik.

## MEGJEGYZÉSEK:

- Kérjük, a termék használata előtt olvassa el figyelmesen a használati útmutatót. A készülék nem rendeltetésszerű használatából eredő sérülésekért nem vállalunk semmilyen felelősséget.
- Kövesse a gépen és a használati utasításban leírtakat, és tartsa biztonságos helyen a kézikönyvet a jövőben felmerülő problémák megoldásához.
- Ez a készülék otthoni használatra készült, és nem használható egyéb, mint a megadott célokra. Nem alkalmas kereskedelmi vagy közös használatra. Az ilyenszerű használat érvényteleníti a készülék garanciáját, és cégünk nem vállal felelősséget a bekövetkező veszteségekért.
- Ez a készülék otthoni használatra készült, és csak élelmiszer hűtésére / tárolására alkalmas. Nem alkalmas kereskedelmi vagy közös használatra és / vagy egyéb, mint élelmiszer tárolására. Cégünk nem vállal felelősséget az eltérő esetben bekövetkező veszteségekért.

## 4. A TERMÉK LEÍRÁSA



### 1. Ajtó zárrendszere

A mikrohullámú sütő ajtója megfelelően be kell legyen csukva ahhoz, hogy a készülék működjön.

### 2. Betekintő ablak

Lehetővé teszi a felhasználó számára a készítési folyamat követését.

### 3. Üreg

### 4. Forgó edény

Az ételmezszeres edények a forgótányérra vannak helyezve, a forgó mozgás segít az ételmezszeres egyenletes melegítésében vagy elkészítésében

- Legelőször a görgős gyűrűt helyezze fel.
- Helyezze a forgó edényt a forgó tengelyre és győződjön meg róla, hogy megfelelően beállította.

### 5. Forgó tengely

A tengely az alatta található motor segítségével forgatja az üvegedényt

### 6. Görgős gyűrű

A forgó edény a görgős gyűrű kerekeire nehezedik, ez tartja fenn és egyensúlyozza a forgó edényt

### 7. Vezérlő panel

Tanulmányozza a lenti részleteket (a kezelőpanel konfigurációja előzetes bejelentés nélkül megváltoztatható)

### 8. Külső burkolat

Az egész gép belső szerkezeti részeinek és elektromos alkatrészeinek becsomagolására és védelmére szolgál

### A hullámvezeték fedőlapja

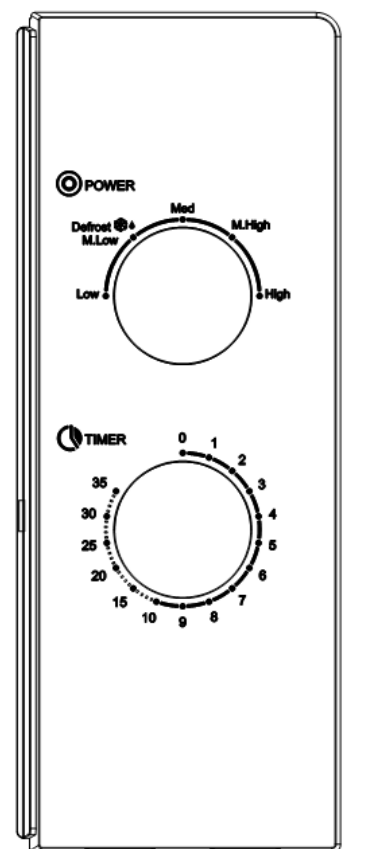
A mikrohullámú sütő belsejében található, a kezelőpanel fala mellett.

Ne távolítsa el a hullámvezető fedőlapját.

## 5. BESZERELÉS

1. Távolítsa el a csomagolóanyagokat. Ha a készülék védőfóliába van csavarva, használat előtt távolítsa el a fóliát. Figyelmesen ellenőrizze az esetleges sérüléseket. Meghibásodás észlelésekor, lépjen kapcsolatba a forgalmazóval vagy forduljon a gyártó javítóközpontjához.
2. A mikrohullámos sütőket száraz és nem korrodáló környezetbe kell elhelyezni, olyan hő- és nedvességforrásoktól távol, mint pl. fűtőtestek és víztartályok.
3. A sütő megfelelő szellőzésének biztosítása érdekében a készülék mögött, a készülék és a fal közt legalább 10 cm, a két oldal mellett legalább 5 cm, felette pedig legalább 20 cm szabad tér legyen. A készüléket a padlótól legalább 85 centiméter távolságra kell elhelyezni
4. Helyezze a sütőt tévé-, rádiókészülékektől vagy antennáktól legalább 5 m távolságba, mert gerjedést okozhatnak.
5. A készüléket úgy helyezze el, hogy dugasza elérhető legyen, a konnektor pedig legyen földelve.
6. A mikrohullámú sütőt mindig működtessük zárt ajtóval.
7. Ne helyezze a mikrohullámú sütőt szekrénybe. A mikrohullámú sütőt önálló készüléknek szánták.
8. Mivel a sütő belső falain ipari olajfoltok maradtak, megtörténhet, hogy első üzemeltetéskor jellegzetes szag érződik vagy akár füst bocsátódik ki. Ez normális jelenség, mely többszöri használat után eltűnik. Megfelelő levegőzés biztosítása érdekében, nyissa ki az ajtót vagy ablakot. Ezért, az első használat előtt, azt ajánljuk, hogy a forgóedényre tegyen egy csupor vizet, állítsa a készüléket nagy teljesítményre, és üzemeltesse néhányszor

## 6. A KEZELŐPANEL HASZNÁLATA



## 1. ÓRABEÁLLÍTÁS

A maximális beállítás 35 perc, a végén van egy csengőhang, és a gomb visszaáll „0” állásba.

## 2. A funkciók/teljesítmény beállítására szolgáló forgó gomb

HIGH (NAGY TELJESÍTMÉNY)	100% mikrohullám teljesítmény	(gyors elkészítés)
M.High (közepesen nagy teljesítmény)	80% mikrohullám teljesítmény	(normál elkészítés)
Med (közepes teljesítmény)	55% mikrohullám teljesítmény	(lassú elkészítés)
M.Low (közepesen alacsony teljesítmény)	30% mikrohullám teljesítmény	(italok vagy levesek)
Kiolvasztás	30% mikrohullám teljesítmény	(Kiolvasztás)
LOW (ALACSONY TELJESÍTMÉNY)	17% mikrohullám teljesítmény	(melegen tartó funkció)

1) Csatlakoztassa a berendezést az elektromos tápegységhez.

-A dugasznak a hálózati aljzatba történő csatlakoztatása előtt bizonyosodjon meg róla, hogy az időzítő a „0” állásra van beállítva

- Ne zárja el a berendezés szellőztető nyílásait

2)Helyezze az élelmiszereket a forgó tálcára, majd csukja be az ajtót

- Az élelmiszereket mindig egy tárolóedényben kell a tálcára helyezni

3)Válassza ki a szükséges teljesítményszintet

4)Állítsa be az időzítőt

Amennyiben a kiválasztott elkészítési idő tartama rövidebb 10 percnél, forgassa el az időzítő gombját a 10 percet mutató állásra, majd forgassa ellentétes irányba addig, amíg az óhajtott időtartamot beállította.

5)Az elkészítési idő beállítása után a sütő működésbe lép. Amennyiben a berendezés működését meg akarja szakítani, nyissa ki az ajtaját, a folytatáshoz pedig csukja vissza.

6)Amikor az adott élelmiszer elkészítése befejeződött, a mikrohullámú sütő hangjelzést bocsát ki, majd a belsejében lévő lámpa kialszik.

Amennyiben az élelmiszereket még a beállított program vége előtt kiveszi a sütőből, bizonyosodjon meg róla, hogy a berendezés időzítője a „0” állásra van beállítva, annak érdekében, hogy a berendezés üresben történő használatát elkerülhesse.

7) Javasoljuk, hogy kesztyűt viseljen, amikor kiveszi a főtt ételt a sütőből, és ügyeljen arra, hogy ne érintse meg az üreg tetején lévő fűtőelemet.

Az étel gyors felmelegítése, általában csak 2-3 perc, kérjük, 5 perc alatt szabályozza. Kérjük, bármikor ügyeljen az étel főzési állapotára, és állítsa be ízlése szerint. Kerülje a túlmelegedést. A zabkása melegítésekor először egyenletesen keverje össze, majd fedje le műanyag fóliával (hagyja meg a sarkokat a szellőzéshez) vagy egy perforált fedővel.

A felolvasztási idő közepén nyissa ki az ajtót az étel megfordításához, hogy a kiolvasztási hatás egyenletesebb legyen.

## AZ EDÉNYEK HASZNÁLATÁRA VONATKOZÓ ÚTMUTATÓ

Azt javasoljuk, hogy a mikrohullámú sütőben való főzéshez csak megfelelő edényeket használjon. Általában a kerámiából, üvegből vagy hőálló műanyagból gyártott edények felelnek meg erre a célra. Soha ne használjon fémedényeket a mikrohullámú vagy a kombinációs főzéshez, mert fennáll a szikraképződés veszélye. Kiegészítő részletekért tanulmányozza az alábbi táblázatot:

Az edény anyaga	Mikrohullám	Megjegyzések
Hőálló kerámia	Igen	Ne használjon fémdíszítésű vagy mázas tálakat
Hőálló műanyag	Igen	Nem használható hosszú ideig
Hőálló üveg	Igen	
Műanyag fólia	Igen	Ne használja hús vagy bordaszelet készítésénél, mert a magas hőmérséklet károsíthatja a fóliát
Grillező rostély	Nem	

## AZ ELKÉSZÍTÉSRE VONATKOZÓ TANÁCSOK

Az alábbi tényezők befolyásolhatják a készítés eredményét.

### Az ételek elrendezése

Az ételek vastagabb felét helyezze a forgótányér széle fele, a vékonyabb részüket pedig a közepére. Ha lehetőség van rá, ne helyezze egymásra az ételeket.

### A elkészítés időtartama

A folyamatot egy rövidebb készítési időtartammal kezdje, figyelje meg az eredményt, majd szükség esetén növelje az időtartamot. A túl hosszú főzési időtartam füstölést vagy odaégést eredményezhet.

### Az ételek egyenletes elkészítése

Az olyan élelmiszereket, mint a baromfi, hamburger vagy sülték, készítés közben meg kell forgatni. Az étel típusától függően, szükség esetén, az edényben egyszer vagy kétszer kavargassa meg a szélétől a közepe felé.

### Hagyja az ételeket „összeérni”

Az főzés befejezése után, hagyja az ételeket megfelelő ideig a sütőben, hogy az ízek „összeérjenek”, és hogy fokozatosan hűljön ki.

### Az ételek ellenőrzése

Ellenőrizze az ételek színét és állagát, hogy meggyőződjön arról, hogy megfelelő módon elkészültek:

- Ellenőrizze, hogy a készítménynek nem csak a széle, hanem az egész felülete gőzöl
- Ellenőrizze, hogy a baromfi ízületei könnyen mozgathatók



- Győződjön meg arról, hogy a disznó- és a baromfi hús jól elkészült
- Győződjön meg arról, hogy a hal nem áttetsző és villával könnyen darabolható

### **Csak sütéshez való tál használata**

Sütéshez való tál vagy önmelegedő edény használata esetén, a forgó tányér és a görgős gyűrű megrongálódásának elkerülése végett helyezzen ezek alá mindig egy hőálló szigetelőt, pl. egy porcelán tányért.

### **Műanyag fólia használata**

Ha magas zsírtartalmú ételt készít, ne hagyja a fóliát az étellel érintkezni, mert megolvadhat.

### **Megfelelő műanyag edények használata**

Előfordulhat, hogy egyes mikrohullámmal főzésre alkalmas műanyag tálak nem felelnek meg nagy zsír- vagy cukor tartalmú ételek készítésére. Ugyanakkor ne haladja meg az edények használati kézikönyvében feltüntetett előmelegítési időtartamot.

## **7. TISZTÍTÁS ÉS KARBANTARTÁS**

### **TISZTÍTÁS**

Tisztítsa ki rendszeresen a sütőt, távolítsa el az ételmaradékokat.

- Tisztítás előtt húzza ki a tápkábelt a tápegységből, és várja meg, amíg a készülék lehűl. A tisztítás alatt ne helyezze a készüléket vízbe vagy más folyadékba.
- Ha nem tartja tisztán a sütőt, sérülhetnek a felületei, működési időtartama csökkenhet, akár veszélyes helyzetek is létrejöhetnek.
- A készülék tisztításához ne használjon erős tisztítószeret, oldószeret, dörzshatású tisztítószeret vagy fémszivacsot.
- Ne távolítsa el a hullámvezető fedőlapját.
- A mikrohullámú sütő belseje hosszas használat után kellemetlen szagokat bocsáthat ki. Ezek eltüntetésére az alábbi három módszert alkalmazhatja:
  - Helyezzen néhány szelet citromot egy csuporba, majd 2-3 percig működtesse a készüléket magas teljesítményen
  - Helyezzen a sütőbe egy csupor piros teát, majd melegítse fel a teát, a készüléket legnagyobb teljesítményre kapcsolva.
  - Helyezzen a sütőbe néhány narancshéjat, majd 1 percig üzemeltesse a készüléket a legnagyobb teljesítményen.
- Amikor a terméket nem használják, száraz és jól szellőző helyen kell tárolni.

Az élelmiszerekkel érintkező felületek tisztítására vonatkozó részletek:

A sütő használata után a zsiradék vagy élelmiszercseppek eltávolításáért a hullámvezető fedőlapját törölje át puha ronggyal, majd szárassal. A vastag zsiradék lerakódás túlhevülhet, füstöt bocsáthat ki és lángra lobbánhat.

### **TISZTÍTÁSRA VONATKOZÓ TANÁCSOK**

Az ajtó tömítésre, a készülék belsejére és környező területeinek tisztítására vonatkozó részletek:

**Külső rész:**

A készülék külső részét törölje meg puha és nedves ronggyal.

**Ajtó:**

A sütő ajtóját és ablakát törölje meg nedves és puha ronggyal.

Törölje meg a tömítéseket és a környező részeket, távolítsa el a foltokat és cseppeket.

Törölje meg a vezérlőpanelt egy enyhén megnedvesített, puha törlővel.

**Belső falak:**

A belső felületeket puha, nedves ruhával törölje át.

Törölje meg a hullámvezető fedőlapját, hogy eltüntesse a rajta lévő foltokat, szennyeződést.

**Forgó tányér/Görgős gyűrű/Forgó tengely:**

Mossa meg vízzel és semleges tisztítószerrel.

Öblítse le tiszta vízzel és törölje szárazra.

## KARBANTARTÁS

### JAVÍTÁSOK

Mielőtt szakembert hívna, ellenőrizze az alábbiakat:

1. Helyezzen a sütőbe egy pohár vizet (kb. 150ml) egy üveg mérőpohárba és csukja be a sütő ajtóját. Ha az ajtót megfelelően becsukta, a sütő égője kialszik. Hagyja a sütőt egy percig működni.
2. Kigyúl a sütő égője?
3. Működik a ventilátor?

(Tartsa a kezét a sütő hátsó oldalánál található szellőzőnyílásokhoz.)

4. Forog a forgótányér?

(A forgótányér az óramutató járásával azonos vagy ellentétes irányban forog. Ez normális jelenség.)

5. A sütő belsejében forró a víz?

Ha a fenti kérdések bármelyikére „NEM” a válasz, kérjük, ellenőrizze a fali csatlakozót és a lakásban lévő áramkör biztosítótábláját.

Ha a fali csatlakozó és az áramkör megfelelően működik, **LÉPJEN KAPCSOLATBA A LEGKÖZEBBBI SZAKSZERVÍZZEL.**

### JAVÍTÁSSAL KAPCSOLATOS ÓVINTÉZKEDÉSEK

**Figyelem: MIKROHULLÁM KISUGÁRZÁS**

1. A magas feszültségű kondenzátorban villamos áram található a tápforrásról való lecsatlakoztatás után is. Zárja rövidre a magasfeszültségű kondenzátor negatív pólusát a sütő vázával (használjon egy csavarhúzó), hogy áramtalanítsa, mielőtt hozzáér.
2. A javítás elvégzése alatt az alábbi alkotóelemek cserélhetők ki, amelyek elektromos feszültsége 250 V feletti.
  - Magnetron
  - Magas feszültségű transzformátor
  - Magas feszültségű kondenzátor

- Magas feszültségű dióda
  - Magas feszültségű biztosíték
3. A fent leírt körülmények a mikrohullámú energia-kisugárzás túlzott hatásának való kitételhez vezethetnek:
- A magnetron nem megfelelő beszerelése;
  - Az ajtó elzáró rendszerének, az ajtópántnak vagy az ajtónak a helytelen felszerelése;
  - A kapcsoló helytelen felszerelése;
  - Az ajtó, az ajtó tömítés vagy a burkolat megsérültek.

## SZERVIZ ÉS ÜGYFÉLSZOLGÁLAT

Kizárólag eredeti cserealkatrészeket használjon.

Mielőtt felvenné a kapcsolatot az engedélyezett szakszervizünkkel, győződjön meg róla, hogy a következő adatok a rendelkezésére állnak: Modell megnevezése és sorozatszám.

Ezeket az adatokat a készülék műszaki adattábláján találja. Ezek az adatok előzetes értesítés nélkül is megváltoztathatók.

## MŰSZAKI ADATOK

A műszaki információk a készülék belsejében található műszaki adattáblán és az energiacímkén található. A készülékhez mellékelte energiacímkén található QR-kód a készülék teljesítményére vonatkozó információkat tartalmazó EPREL-adatbázisra mutató weblinket tartalmaz.

Az energiacímkét a használati útmutatóval és a készülékhez mellékelte minden más dokumentummal együtt őrizze meg későbbi használatra.

Ugyanezeket az információkat az EPREL adatbázisban is megtalálhatja a <https://eprel.ec.europa.eu> linkre kattintva, valamint a termék típusnevét és sorozatszámát, amely a készülék műszaki adattábláján található.

Az EPREL portálon található termékinformációkhoz az alábbi kódok beolvasásával férhet hozzá:

Köszönjük, hogy megvásárolta termékünket! Ha segítségre van szüksége a termékkel kapcsolatban, kérjük, látogasson el weboldalunkra az alábbi linkek segítségével.

**Használati útmutatók beszerzése:** <https://www.heinner.ro>

**Javítási információk letöltése:** <https://www.heinner.ro>



#### **A hulladékok környezetfelelős eltávolítása**

Segíthet a környezet védelmében!

Kérjük, tartsa be a helyi rendelkezéseket: a nem működő elektromos berendezéseket a használt elektromos hulladékokat gyűjtő központba szolgáltassa be.



A **HEINNER** a **Network One Distribution SRL(KFT)** társaság által bejegyzett védjegy. A többi márkajelzés és a termékek megnevezése kereskedelmi vagy az illető birtoklók által bejegyzett márkanevek.

A leírtak egyetlen része sem használható fel semmilyen formában, még lefordított, átalakított változatban sem, a NETWORK ONE DISTRIBUTION előzetes beleegyezése nélkül.

Copyright © 2013 Network One Distribution. Minden jog fenntartva.

[www.heinner.com](http://www.heinner.com), <http://www.nod.ro>



A terméket az Európai Közösség előírásainak és jogszabályainak megfelelően tervezték és gyártották.



Importőr: **Network One Distribution**

Marcel Iancu utca, 3-5 szám, Bukarest (București), Románia

Tel: +40 21 211 18 56, [www.heinner.com](http://www.heinner.com) , [www.nod.ro](http://www.nod.ro)