

HEINNER

DISHWASHER HEINNER

HDW-BI4592TE++



- Dishwasher
- Number of place settings: 10
- Number of programs: 9
- Energy class: E

Thank you for purchasing this product!

I. INTRODUCTION

Before using the appliance, please read carefully this instruction manual and keep it for future reference.

This instruction manual is designed to provide you with all required instructions related to the installation, use and maintenance of the appliance.

In order to operate the unit correctly and safety, please read this instruction manual carefully before installation and usage.

II. CONTENT OF YOUR PACKAGE



- **Dishwasher**
- **User manual**
- **Warranty card**

III. SAFETY INSTRUCTIONS

Safety Information

When you take delivery of your machine

- Check for any damage to your machine or to its packaging. Never start a machine damaged in any way, make sure to contact an authorised service.
- Unwrap the packaging materials as indicated and dispose of them in accordance with the rules.

The points to pay attention during machine installation

- Choose a suitable, safe and level place to install your machine.
- Carry out the installation and connection of your machine by following the instructions.
- This machine should be installed by an authorised service or similarly qualified persons.
- Only original spare parts should be used with the machine.
- Before installing, be sure that the machine is unplugged.
- Check whether the indoor electrical fuse system is connected according to the regulations.
- All electrical connections must match the values indicated on the rating plate.
- Pay special attention and be sure that the machine does not stand on the electricity supply cable.
- Never use an extension cord or a multiple socket for making a connection. The plug should be comfortably accessible after the machine has been installed.
- After installing the machine to a suitable place, run it unloaded for the first time.

In daily use

- This machine is for household use; do not use it for any other purpose. Commercial usage of the dishwasher will void the guarantee.
- Do not get up, sit or place a load on the open door of the dishwasher, it may fall over.
- Never put into the detergent and rinse aid dispensers of your machine anything other than those detergents and rinse aids which are produced specifically for dishwashers. Our company will not be responsible for any damage that might occur in your machine otherwise.
- The water in the machine's washing section is no drinking water do not drink it.
- Due to danger of explosion, do not put into the machine's washing section any chemical dissolving agents such as solvents.
- Check whether plastic items are heat-resistant before washing them in the machine.
- This appliance can be used by children aged from 8 years and above and persons with reduced physical, sensory or mental capabilities or lack of experience and knowledge if they have been given supervision or instruction concerning use of the appliance in a safe way and understand the hazards involved. Children shall not play with the appliance. Cleaning and user maintenance shall not be made by children without supervision.
- Do not put into your machine those items which are not suitable for dishwashing. Also, do not fill any basket above its capacity. Our company will not be responsible for any scratch or rust to form on the inner frame of your machine due to basket movements otherwise.
- Especially because hot water may flow out, the machine door should not be opened under any circumstances while the machine is in operation. In any case, a safety device ensures that the machine stops if the door is opened.
- Do not leave your dishwasher's door open. Failure to do so may lead to accidents.
- Place knives and other sharp-ended objects in the cutlery basket in blade-down position.
- If the supply cord is damaged, it must be replaced by the service agent or similarly qualified persons in order to avoid a hazard.

- This appliance is not intended for use by persons (including - children) with reduced physical, sensory or mental capabilities, or lack of experience and knowledge, unless they have been given supervision or instruction concerning use of the appliance by a person responsible for their safety.
- If EnergySave option is selected as active, the door will be opened at the end of the program. Do not force to close the door to avoid harm auto door mechanism during 1 minutes. The door must be open during 30 minutes to get effective drying (in models with auto door opening system). **THIS MODEL DOESN'T HAVE AUTOMATIC DOOR-OPENING SYSTEM.**

Warning: Do not stand in front of the door after the signal sounds belonging auto-open.

For your children's safety

- After removing the machine's packaging, make sure that the packaging material is out of reach of children.
- Do not allow children to play with or start the machine.
- Keep your children away from detergents and rinse aids.
- Keep children away from the machine while it is open because there may still be residues of cleaning substances inside the machine.
- Be sure that your old machine does not pose any threat to your children. Children are known to have gotten themselves locked in old machines. To forestall such a situation, break your machine's door lock and tear off the electrical cables.

In case of malfunctioning

- Any malfunction in the machine should be repaired definitely by qualified persons. Any repair work performed by anyone other than the authorised service personnel will cause your machine to be left outside the scope of warranty.
- Prior to any repair work on the machine, be sure that the machine is cut off from the mains. Switch off the fuse or unplug the machine. Do not pull by the cable when unplugging. Make sure to turn off the water tap.

Recommendations

- For energy and water saving, remove coarse residues on your dishes before placing the dishes into the machine. Start your machine after having fully loaded it.
- Use the pre-wash programme only whenever necessary.
- Place such hollow items as bowls, glasses and pots into the machine in such a way that they will face down.
- You are recommended not to load into your machine any dishes different or more than indicated.

Items not suitable for dishwashing:

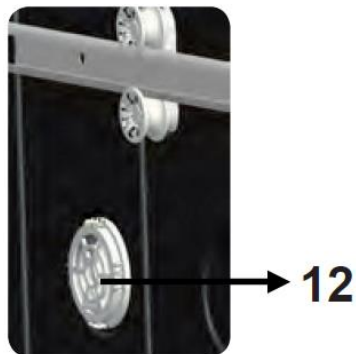
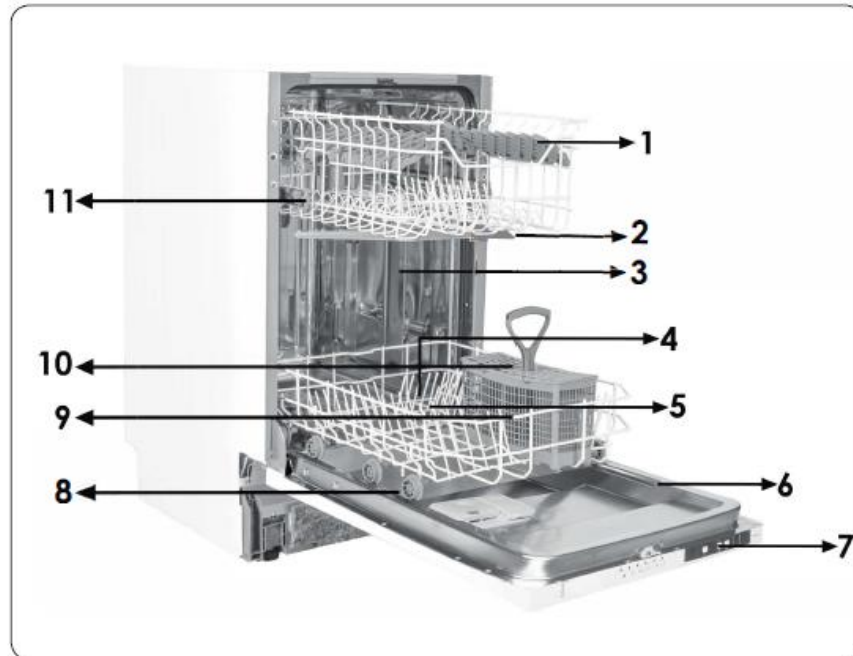
- Cigarette ashes, candle leftovers, polish, paint, chemical substances, iron-alloy materials;
- Forks, spoons and knives with wooden or bone, or ivory or nacre-coated handles; glued items, items soiled with abrasive, acidic or base chemicals.
- Plastic items that are not heat-resistant, copper or tin-coated containers.
- Aluminium and silver objects (they may discolour, become dull).
- Certain delicate glass types, porcelains with ornamental printed patterns as they fade even after the first wash; certain crystal items as they lose their transparency over time, adhered cutlery that is not heat-resistant, lead crystal glasses, cutting boards, items manufactured with synthetic fibre.
- Absorbent items as sponges or kitchen rags are not suitable for dishwashing.

Warning: Take care to buy dishwasher-proof sets in your future purchases.

Recycling

- Certain components and the packaging of your machine have been produced from recyclable materials.
- Plastic parts are marked with international abbreviations: (>PE<, >PS<, >POM<, >PP<,)
- Cardboard parts have been produced from recycled paper and they should be disposed of into waste paper collection containers for recycling.
- Such materials are not suitable for being disposed of into garbage bins. They should be delivered to recycling centres instead.
- Contact relevant centres in order to obtain information on methods and points of disposal.

IV. PRODUCT DESCRIPTION



1. Upper basket with racks
2. Upper spray arm
3. Lower basket
4. Lower spray arm
5. Filters
6. Rating plate
7. Control panel
8. Detergent and rinse-aid dispenser
9. Cutlery basket
10. Salt dispenser
11. Upper basket track latch
12. **Active Drying Unit:** This system provides better drying performance for your dishes.

Technical specifications

Capacity	10 place settings
Height	820 mm
Width	448 mm
Depth	550 mm
Net Weight	32 kg
Electricity input	220-240 V, 50 Hz
Total Power	1900 W
Heating Power	1800 W
Pump Power	100 W
Drain Pump Power	30 W
Water supply pressure	Maximum: 1 (Mpa) Minimum: 0.03 (Mpa)
Current	10 A

V. INSTALLATION

Machine positioning

When positioning the machine, place it in an area where dishes can be easily loaded and unloaded. Do not put the machine in an area where the ambient temperature falls below 0°C. Read all warnings located on the packaging before removing the packaging and positioning the machine.

Place the machine close to a water tap and drain. Take into consideration that the connections will not be altered once the machine is in position.

Do not hold the machine by its door or panel.

Leave an adequate distance around the machine to allow ease of movement when cleaning.

Ensure the water inlet and outlet hoses are not squeezed or trapped and that the machine does not stand on the electrical cable while positioning. Adjust the feet so the machine is level and balanced. The machine should be placed on flat ground otherwise it will be unstable and the door of the machine will not close properly.

Water connection

We recommend fitting a filter to your water inlet supply in order to prevent damage to your machine due to contamination (sand, rust, etc.) from indoor plumbing. This will also help prevent yellowing and deposit formation after washing.

Note printing on the water inlet hose!

If models are marked with 25°, the water temperature may be max. 25 °C (cold water).

For all other models:

Cold water preferred; hot water max. temperature 60 °C.

Water inlet hose

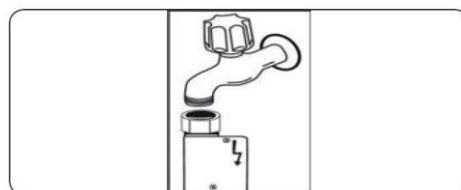



WARNING: Use the new water inlet hose supplied with your machine, do not use an old machine's hose.

WARNING: Run water through the new hose before connecting.

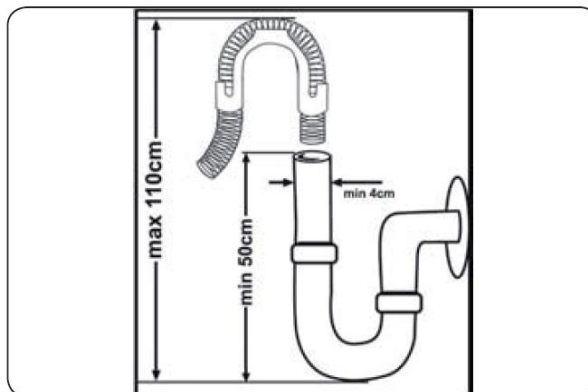
WARNING: Connect the hose directly to the water inlet tap. The pressure supplied by the tap should be a minimum of 0.03 MPa and a maximum of 1 MPa. If the pressure exceeds 1 MPa, a pressure relief valve must be fitted between the connection.

WARNING: After the connections are made, turn the tap on fully and check for water leaks. Always turn off the water inlet tap after a wash program has finished.



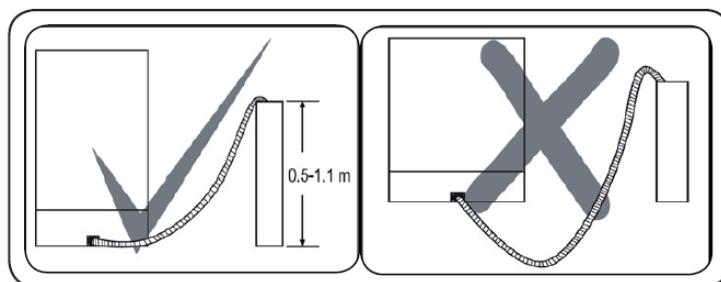
 An Aquastop water spout is available in your model. Do not damage it or allow it to become kinked or twisted.

Drain hose



Connect the water drain hose directly to water drain hole or to the sink outlet spigot. This connection should be minimum 50 cm and maximum 110 cm from floor plane.

IMPORTANT: Items will not wash properly if a drain hose longer than 4 m is used.



Electrical connection

WARNING: Your machine is set to operate at 220-240 V. If the mains voltage supply to your machine is 110 V, connect a transformer of 110/220 V and 3000 W between the electrical connection.

The earthed plug of the machine must be connected to an earthed outlet supplied by suitable voltage and current.

In the absence of earthing installation, an authorised electrician should carry out an earthing installation. In the case of use without earthing installed, we will not be responsible for any loss of use that may occur.

The indoor fuse current value should be 10-16 A.

VI. BEFORE USING THE APPLIANCE

Preparing your Dishwasher for first use

- Check whether the electricity and supply water specifications match the values indicated in the installation instructions for the machine.
- Remove all packaging materials inside the machine.
- Set the water softener level.
- Fill the rinse aid compartment.

The importance of water decalcification

For a good washing function, the dishwasher needs soft, i.e. less calcareous water. Otherwise, white lime residues will remain on the dishes and the interior equipment. This will negatively affect your machine's washing, drying and shining performance. When water flows through the softener system, the ions forming the hardness are removed from the water and the water reaches the softness required to obtain the best washing result. Depending on the level of hardness of the inflowing water, these ions that harden the water accumulate rapidly inside the softener system. Therefore, the softener system has to be refreshed so that it operates with the same performance also during the next wash. For this purpose, dishwasher salt is used.

Fill the salt

Use softener salt specifically produced for use in dishwashers. To fill with softener salt, first remove the lower basket and then open the salt compartment cap by turning it counter clockwise. (1) (2) At first use, fill the compartment with 1 kg salt and water (3) until it is almost overflowing. Using a funnel will make filling easier (4). **The funnel is not provided with the product.**

Replace the cap and close it. After every 20th-30th wash, add salt into your machine until it fills up (approx. 1 kg).

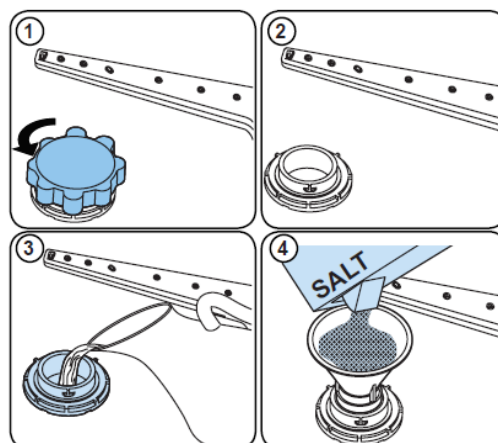
We recommend that you use small grained or powder softener salt. Do not put table salt into your machine. Otherwise the function of the softener compartment may decrease over time. When you start your dishwasher the salt compartment gets filled with water. Therefore, put the softener salt prior to starting your machine. This way, overflowing salt gets immediately cleaned up through the wash operation. If you are not going to wash any dishes immediately after putting salt, then run a short washing program with an empty machine in order to avoid any damage (to prevent corrosion) to your machine due to the salt overflow while filling in the salt container.

Fill the salt compartment with water the first time you fill the salt compartment only.

Use softener salt specifically produced for use in dishwashers.

When you start your dishwasher, the salt compartment is filled with water, therefore put the softener salt in prior to starting your machine.

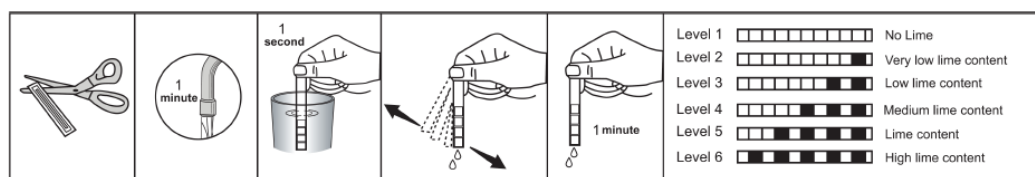
If the softener salt has overflowed and you do not start the machine immediately, run a short washing program to protect your machine against corrosion.



Testing strip (it's not provided in product package)

The washing effectiveness of your machine depends on the softness of the tap water. For this reason, your machine is equipped with a system that reduces the hardness in mains water supply. The washing effectiveness will increase when the system is correctly set. To find out the water hardness level of water in your area, contact your local water distributor or determine water hardness level by using a test strip(if available).

Open the testing strip.	Run water through your tap for 1 min.	Keep the testing strip in water for 1 sec.	Shake the testing strip after taking it out of water.	Wait for 1 min.	Make your machine's water hardness setting according to the result obtained through the testing strip.
-------------------------	---------------------------------------	--	---	-----------------	--



NOTE: Level is set 3 as default. If the water is well water or has a hardness level above 90 dF, we recommend that you use filter and refinement devices.

Water Hardness Table

Level	German dH	French dF	British dE	Indicator
1	0-5	0-9	0-6	L1 is shown on display.
2	6-11	10-20	7-14	L2 is shown on display.
3	12-17	21-30	15-21	L3 is shown on display.
4	18-22	31-40	22-28	L4 is shown on display.
5	23-31	41-55	29-39	L5 is shown on display.
6	32-50	56-90	40-63	L6 is shown on display.

Water Softener System

The dishwasher is equipped with a water softener which reduces the hardness in the mains water supply. To find out the hardness level of your tap water, contact your water company or use the test strip (have to be purchased separately, is not provided with the product).

Setting

In order to change the salt level, follow the below steps:

- Touch the programme button and hold it down.
- Turn on the machine.
- Hold down the Programme button until "SL" disappears.
- The machine will display the last setting.
- Set the level by touching the Programme button.
- Turn off the machine to save the setting.

WARNING: in case of moving, to configure the water hardness setting according to the water hardness of the area you have moved is important for the effectiveness of washing.

Detergent usage

Only use detergents specifically designed for domestic dishwashers.

Add the recommended amount of detergent for the selected programme to ensure the best performance.

Keep your detergents in cool, dry places out of reach of children.

You can find powder, gel, and tablet detergents in the market that have been designed for household dishwashers.

Detergent should be put into the compartment prior to starting the machine. Keep your detergents in cool, dry places out of reach of your children.

Do not fill detergent into the detergent compartment more than required; otherwise it may cause scratches on your glasses as well as lead to a poorly dissolved detergent.

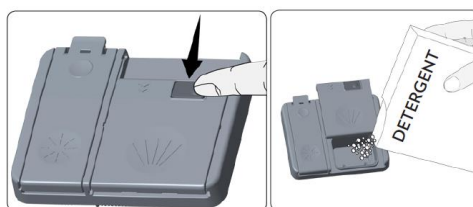
Should you need more information concerning the detergent you will use, contact detergent manufacturers directly.

Filling the detergent

Push the latch to open the dispenser and pour in the detergent.

Detergent pod has level lines inside. It is possible to measure the right detergent amount using these lines. Detergent pod can take totally 40 cm³ detergent. Open the dishwasher detergent and pour into the larger compartment b 25 cm³ if your dishes are heavily soiled or 15 cm³ if they are less soiled. If your dishes have been kept dirty for a very long time, if there are dried food wastes on them, and if you have overly loaded the dishwasher pour a 5 cm³ detergent into the pre-wash compartment and start your machine.

You may have to add more detergent into your machine, depending on the degree of soil and on the water hardness level in your area.



Using combined detergents

Detergent manufacturers also produce combined detergents called “2 in 1”, “3 in 1” or “5 in 1” etc.

“2 in 1” detergents contain detergent + salt or rinse aid. When using “2 in 1” detergents make sure to check the specifications of the tablet.

Other tablet detergents contain detergent + rinse aid + salt + varlous extra functions.

Generally, combined detergents produce sufficient results under certain usage conditions only. Such detergents contain rinse aid and/or salt in preset amounts.

Points to consider when using this type of products:

- Always make sure to check the specifications of the product you will use or whether or not it is a combined product.
- Check if the detergent used is appropriate for the hardness of mains water that machine is appertaining to.
- Observe the instructions on packagings when using such products.
- If such detergents are in the form of tablets, never put them into the interior section or the cutlery basket of the dishwasher. Always put the tablets into the detergent compartment in the detergent dispenser.
- They produce good results for certain types of usage only. If you are using this type of detergents, you need to contact the manufacturers and find out about the suitable conditions of use.
- When the conditions of use of such products and the machine settings are appropriate, they ensure savings in salt and/or rinse aid consumption.
- Contact the detergent manufacturers if you are not obtaining good wash results (if your dishes stay calcareous and wet) after having used 2 in 1 or 3 in 1 detergents. The scope of warranty for your machine does not cover any complaints caused by the use of these types of detergents.

Recommended usage: If you want to obtain better results while using combined detergents, add salt and rinse aid into your machine and adjust the water hardness setting and the rinse aid setting to the lowest position.

Solubility of the tablet detergents produced by different companies can vary depending on the temperature and time. Therefore, it is not recommended to use such detergents in short programs. It is more suitable to use powder detergents in such programs.

Warning: Should any problem, which you have not encountered before, arise with the use of this type of detergents, contact the detergent manufacturers directly.

When you give up using combined detergents

- Fill the salt and rinse aid compartments.
- Adjust the water hardness setting to the highest position (6) and run an empty-wash.
- Adjust the water hardness level.
- Make the suitable rinse aid setting.

Rinse-aid usage

The rinse aid helps to dry the dishes without streaks and stains. Rinse-aid is required for stain-free utensils and clear glasses. The rinse aid is automatically released during the hot rinse phase. If rinse aid dosage setting set too low, whitish stains remains on dishes and dishes do not dry and washed clean. If rinse aid dosage setting set too height, you can see bluish layers on glass and dishes.

Filling with rinse aid and making the setting

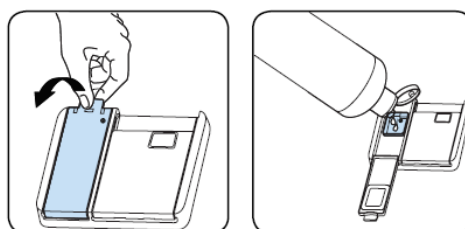
To fill the rinse aid compartment, open the rinse-aid compartment cap. Fill the compartment with rinse aid to the MAX level and then close the cap. Be careful not to overfill the rinse aid compartment and wipe up any spills.

In order to change the rinse aid level, follow the below steps before turning on the machine:

- Touch the programme button and hold it down.
- Turn on the machine.
- Hold down the programme button until “rA” disappears. Rinse aid set follows water hardness set.
- The machine will display the current setting.
- Set the level by touching the programme button.
- Switch off the machine to save the setting

The factory setting is “4”.

If the dishes are not drying properly or are spotted, increase the level. If blue stains form on your dishes, decrease the level.



Level	Brightener Dose	Indicator
1	Rinse-aid not dispensed	r1 is shown on the display
2	1 dose is dispensed	r2 is shown on the display
3	2 doses are dispensed	r3 is shown on the display.
4	3 doses are dispensed	r4 is shown on the display.
5	4 doses are dispensed	r5 is shown on the display.

VII. LOADING YOUR DISHWASHER

For best results, follow these loading guidelines.

If you properly place your dishes into the machine, you will be using it in the best way in terms of energy consumption, washing and drying performance.

Manual pre-rinsing of tableware items leads to increased water and energy consumption and is not recommended.

There are two separate baskets for you to load your dishes into your machine. You can load into the lower basket such round and deep items as pots with long handles, pot lids, plates, salad plates, cutlery sets.

The upper basket has been designed for tea plates, dessert plates, salad bowls, cups and glasses. When placing long-stem glasses and goblets, lean them against the basket edge, rack or glass supporter wire and not against other items. Do not lean long glasses against one another or they cannot remain steady and may receive damage.

It is more appropriate to locate the thin narrow parts into the middle sections of baskets. You can place spoons among the other cutlery sets in order to prevent them from sticking to one another. You are recommended to use the cutlery grid in order to obtain the best result.

Place all containers such as cups, glasses and pots into the dishwasher with the opening facing downwards otherwise water can collect on items.

Warning: Place your dishes into your machine in a way that they will not prevent the upper and lower spray arms from spinning.

Warning: Make sure after loading the dishes do not prevent opening the detergent dispenser.

Recommendations

Remove any coarse residue on dishes before placing the dishes in the machine.

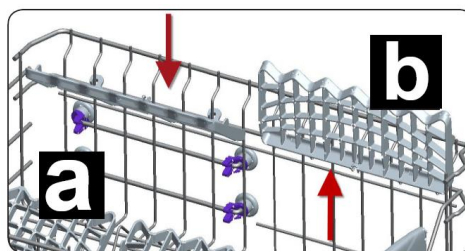
Start the machine with full load.

Do not overload the drawers or place dishes in the wrong basket.

Warning: To avoid any possible injuries, always place such long-handle and sharp-pointed dishes as serving fork, bread knife etc. with their sharp points facing down or horizontally on the baskets.

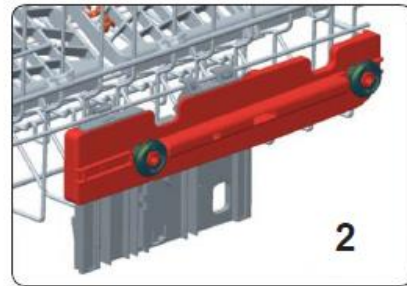
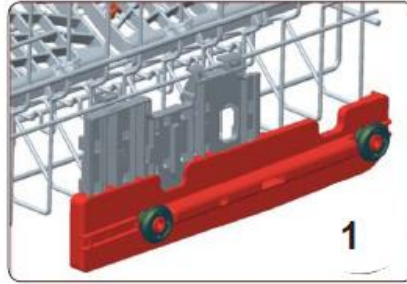
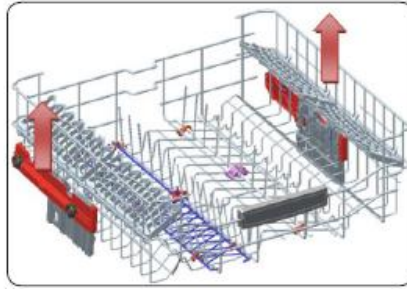
Dish rack

Upper basket racks have two positions: open (a) and closed (b). You can place cups on the racks to be washed. You can also place long forks, knives and spoons on the racks laterally.



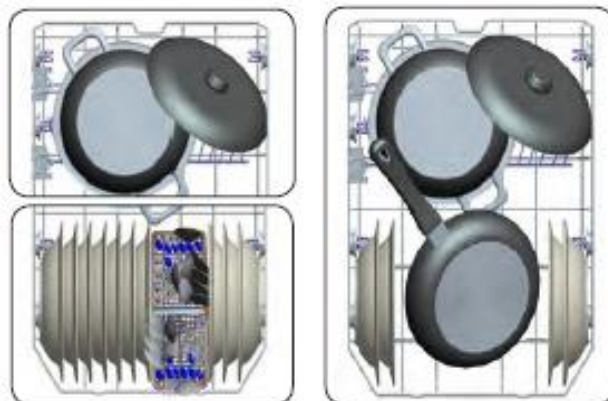
Height adjustment

The upper basket includes a mechanism which enables the height of the basket to be adjusted up (1) or down (2) without having to remove the basket. Hold the basket on both sides and pull it up or push it down, ensuring both sides of the upper basket are in the same position.

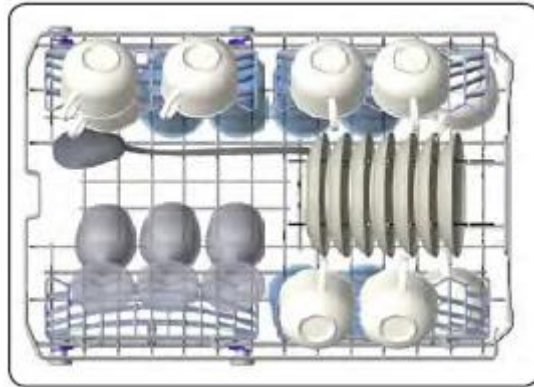


Alternative Basket Loads

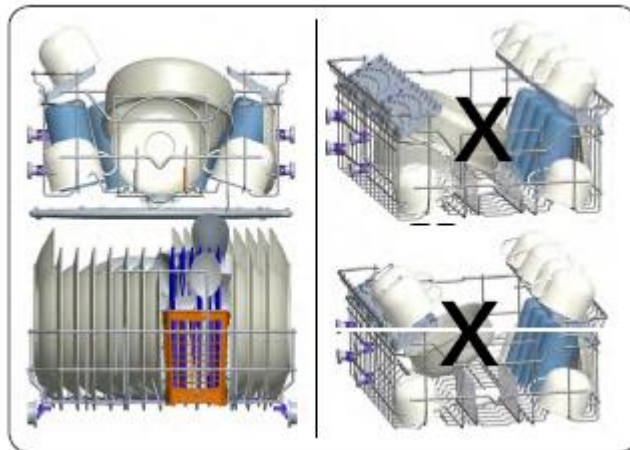
Lower Basket



Upper Basket



Incorrect Loads



Incorrect Loads

Incorrect loading can cause poor washing and drying performance. Please follow the manufacturer's recommendations for a good performance result.

VIII. PROGRAMME TABLE

	P1	P2	P3	P4	P5
Program Name:	Eco	Smart 60°C - 70°C	Smart 50°C - 60°C	Smart 30°C - 50°C	Hygiene 70°C
Type of Soil:	Standard program for normally soiled daily using dishes with reduced energy and water consumptions.	Auto program for heavily soiled dishes.	Auto program for normally soiled dishes.	Auto program for normally soiled delicate dishes.	Suitable for heavily soiled dishes requiring hygienic washing.
Level of Soil:	Medium	Heavy	Medium	Medium	Heavy
Amount of Detergent: A: 25 cm³ B: 15 cm³	A	A	A	A	A
Program Duration (h:min)	03:42	01:46 - 02:32	01:28 - 01:44	01:06 - 01:20	02:04
Electricity consumption (kWh/cycle)	0.755	1.100 - 1.650	0.900 - 1.250	0.600 - 0.750	1.550
Water consumption (l/cycle)	9.0	10.0 - 20.0	9.6- 16.7	9.7 - 16.0	14.6

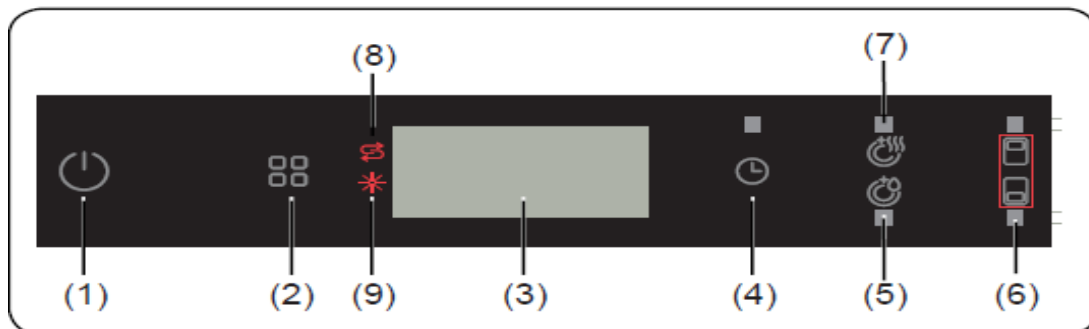
- The program duration may change according to the amount of dishes, the water temperature, the ambient temperature and selected additional functions.
- Values given for programmes other than the eco programme are indicative only
- Eco programme is suitable to clean normally soiled tableware, that for this use, it is the most efficient programme in terms of its combined energy and water consumption, and that it is used to assess compliance with the EU ecodesign legislation.
- Washing tableware in a household dishwasher usually consumes less energy and water in the use phase than hand dishwashing when the household dishwasher is used according to the manufacturer's instructions.

	P6	P7	P8	P9
Program Name:	Super 50'	Delicate 40°C	Quick 30'	Mini 14'
Type of Soil:	Suitable for normally soiled daily dishes with faster program.	Suitable for lightly soiled delicate dishes.	Suitable for lightly soiled dishes and quick wash.	Fastest program for lightly soiled and recently used dishes and suitable for 4 place settings.
Level of Soil:	Medium	Light	Light	Light
Amount of Detergent: A: 25 cm3 B: 15 cm3"	A	A	A	B
Program Duration (h:min)	00:50	01:14	00:30	00:14
Electricity consumption (kWh/cycle)	0.880	0.740	0.600	0.250
Water consumption (l/cycle)	9.5	13.2	9.9	6.6

- Only use powder detergent for short programs.
- Short programs do not include drying.
- To assist drying, we recommend slightly opening the door after a cycle is complete.
- You can access the product database where the model information is stored by reading the QR code on the energy label.

NOTE: According to regulations 1016/2010 and 1059/2010, Eco program energy consumption values may differ. This table is in line with regulations 2019/2022 and 2017/2022.

IX. CONTROL PANEL



1. **On/Off touch button**
2. **Programme touch button**
3. **Display**
4. **Delay touch button**
5. **Extra Rinse touch button**
6. **Half Load touch button**
7. **Extra Dry touch button**
8. **Salt lack warning indicator**
9. **Rinse Aid lack warning indicator**

1. **On/Off Touch Button**

Turn the machine on by pressing On/Off button. When machine is on, "--" will be shown on the Display (3).

2. **Programme Touch Button**

Select a suitable programme for your dishes by touching Programme button. The programme will start automatically when the door is closed.

3. **Display**

The Display shows the number and total time of the selected programme alternately and the remaining time during operation.

4. **Delay Touch Button**

Press the Delay Start touch button to delay the start time of a programme for 1 hour up to 19 hours. Pressing once will delay the start time for 1 hour, and continuing to press the button will increase the delay duration. Press the Delay button to change or cancel the delayed start. If you turn off the machine after activating the delay time, the delayed time is cancelled.

NOTE: Press and hold the Delay touch button to change the delayed start time faster. The rate of change in time is proportional to the how long the button is pressed and held for. When the Delay Start touch button is pressed for a long period of time, the counter will stop at "h:00".

Additional functions can also be selected.

5. Extra Rinse touch button

If Extra Rinse option is selected, washing- rinsing steps will be added into the selected program, so you can ensure that your dishes will be extracted cleaner and glossier.

6. Half Load Touch Button

Press the Half Load button to select the area of the dishwasher that contains the dishes to be washed. You can select both baskets, the upper basket only, or the lower basket only. Press the button until the light corresponding to the basket containing the dishes to be washed illuminates.

7. Extra Dry Touch Button

Press the Extra Dry touch button to add extra drying steps to a programme in order to obtain drier dishes. This option increases water temperature of the final rinse step and duration of the drying step.

NOTE: Each time the machine is turned off and on, the Eco programme will be set as default. Options chosen before will be cancelled.

NOTE: If an option is not compatible with the selected program, a buzzer sounds.

NOTE: If an extra feature has been used on the most recent wash programme, this feature will remain active on the next selected programme. To cancel this feature on the newly selected wash programme, press the feature button until the light on the button switches off.

8. Salt lack warning indicator

When there is insufficient softening salt, the Salt Lack Warning Indicator will illuminate to indicate the salt chamber needs filling.

9. Rinse Aid lack warning indicator

When there is insufficient rinse aid, the Rinse Aid Lack Warning Indicator will illuminate to indicate the rinse aid chamber needs filling.

NOTE: If you decide not to start the selected programme, please see the "Changing a Programme" and "Cancelling a Programme" sections.

Changing a Programme

Follow the steps below to change a programme while in operation.

1. Open the door and press the Programme touch button (2) to select a new programme. If the door is opened during operation, the time remaining of the selected programme will show on the display (3).

2. After closing the door, the newly selected programme will resume the course of the old programme.

NOTE: Open the door slightly at first to stop a wash programme before it is complete in order to avoid water spillage.

Cancelling a Programme

Follow the steps below to cancel a programme while in operation or in standby mode.

1. Open the door of the machine, the most recently selected programme will be shown on the display.

2. Press and hold the Programme touch button (2) for 3 seconds. At the end of 3 seconds, '1' will show on the Display (3).

3. The water discharge process will start after the door of the machine is closed and will continue for 30 seconds. When the programme is cancelled, a buzzer will sound 5 times.

NOTE: When the door is opened after the selected wash programme is complete, a buzzer will sound and '0' will be shown on the Display (3).

Switching the Machine Off

When the selected wash programme is complete, a buzzer will sound 5 times. You can then turn your machine off by using the On/Off touch button (1).

NOTE: Do not open the door before a programme is complete.

NOTE: Leave the door of your machine slightly open at the end of a wash programme to speed up drying.

NOTE: If the door of the machine is opened or the power is cut off while a programme is in operation, the programme will continue when the door is closed or the power returns.

NOTE: If the power is cut or the machine door is opened during the drying process, the programme will terminate.
Your machine will now be ready for a new programme selection.

Buzzer Sound Control

To change the buzzer sound level, follow the below steps:

1. Open the door and press Extra Dry / Rinse (5,7) and Half Load (6) touch buttons simultaneously for 3 seconds.
2. When sound setting is recognized, buzzer gives a long sound and machine will display last set level, from "S0" to "S3".
3. To decrease sound level press Extra Dry / Rinse touch button (5,7). To increase sound level, press Half Load touch button (6).
4. To save the selected sound level, turn off the machine.
"S0" level means all voices are off. Factory setting is "S3".

X. CLEANING AND MAINTENANCE

Cleaning the machine in regular intervals prolongs the machine's service life.

Make sure that the water softening setting (If available) is done correctly and correct amount of detergent is used to prevent limescale accumulation. Refill the salt compartment when the salt sensor light comes on.

Oil and lime may accumulate in the machine's washing section. In case of such accumulation:

- Fill the detergent compartment but do not load any dishes. Select a programme which runs at high

temperature and run the Dishwasher empty. If this does not clean your Dishwasher sufficiently, use a cleaning agent designed for use with dishwashers.

- To extend the life of your dishwasher, clean the appliance regularly on each month
- Wipe the door seals regularly with a damp cloth to remove any accumulated residue or foreign objects.

Cleaning the seals in the machine door

- To clean any accumulated residues in the door seals, wipe the seals regularly by using a dampened cloth.

Cleaning the machine

Clean the filters and spray arms at least once a week.

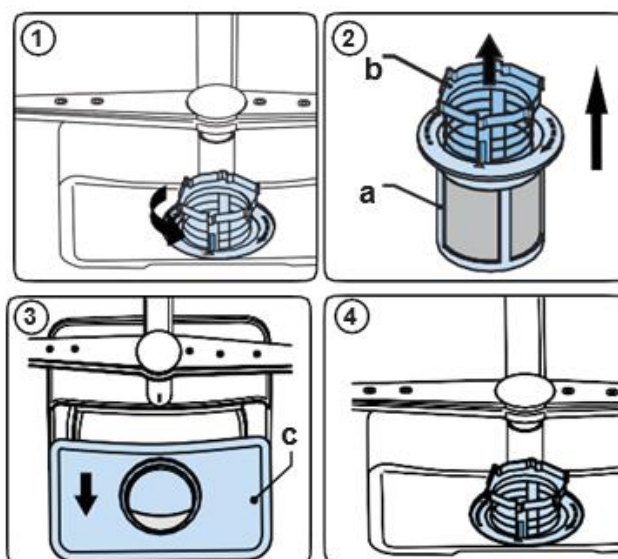
Unplug your machine and turn off its tap before starting the cleaning.

Do not use hard materials when cleaning your machine. Wipe with a fine cleaning material and a dampened cloth.

Filters

Check if any food wastes have remained on the coarse and fine filters. If any food wastes are left, remove the filters and clean them thoroughly under the water tap.

- Micro Filter
- Coarse filter
- Metal Filter

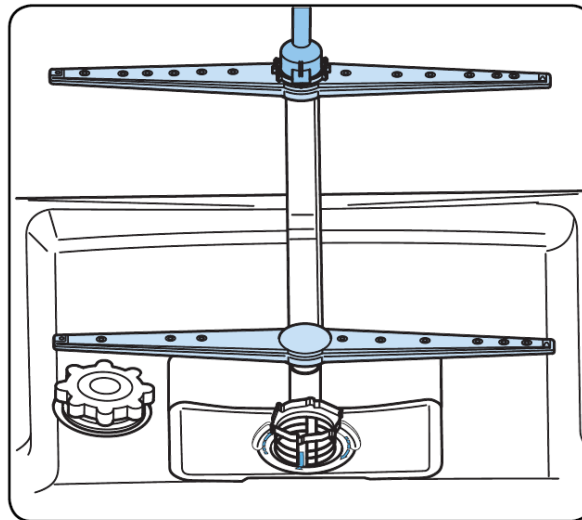


To remove and clean the filter combination, turn it counter clockwise and remove it by lifting it upwards (1). Pull the coarse filter out of the micro filter (2). Then pull and remove the metal filter (3). Rinse the filter with lots of water until it is free of residue. Reassemble the filters. Replace the filter insert, and rotate it clockwise (4).

- Never use your Dishwasher without a filter.
- Incorrect fitting of the filter will reduce the washing effectiveness.
- Clean filters are necessary for proper running of the machine.

Spray arms

Make sure that the spray holes are not clogged and that no food waste is stuck to the spray arms. If there is any clogging, remove the spray arms and clean them under water. To remove the upper spray arm undo the nut holding it in position by turning it clockwise and pulling it downwards. Make sure that the nut is properly tightened when refitting the upper spray arm.



Drain Pump

Large food residues or foreign objects which were not captured by the filters may block the waste water pump. The rinsing water will then be above the filter.

Warning Risk of cuts!

When cleaning the waste water pump, ensure that you do not injure yourself on pieces of broken glass or pointed implements.

In this case:

1. First always disconnect the appliance from the power supply.
2. Take out baskets.
3. Remove the filters.
4. Scoop out water, use a sponge if required.
5. Check the area and remove any foreign objects.
6. Install filters.
7. Re-insert baskets.

XI. TROUBLESHOOTING

FAULT	POSSIBLE CAUSE	TROUBLESHOOTING
The programme does not start.	Your Dishwasher is not plugged in.	Plug your Dishwasher in.
	Your Dishwasher is not switched on.	Switch your Dishwasher on by pressing the On/Off button.
	Fuse blown.	Check your indoor fuses.
	Water inlet tap is closed.	Turn on the water inlet tap.
	Your Dishwasher door is open.	Close the Dishwasher door.
	Water inlet hose and machine filters are clogged.	Check the water inlet hose and machine filters and make sure they are not clogged.
Water remains inside the machine.	Water drain hose is clogged or twisted.	Check the drain hose, then either clean or untwist it.
	The filters are clogged.	Clean the filters.
	The programme is not finished yet.	Wait until the programme is finished.
Machine stops during washing.	Power failure.	Check mains power.
	Water inlet failure.	Check water tap.
Shaking and hitting noises are heard during a wash operation.	The spray arm is hitting the dishes in the lower basket.	Move or remove items blocking the spray arm.
Partial food wastes remain on the dishes.	Dishes placed incorrectly, sprayed water not reaching affected dishes.	Do not overload baskets.
	Dishes leaning each another.	Place dishes as instructed in the section on loading your dishwasher.
	Not enough detergent used.	Use the correct amount of detergent, as instructed in the programme table.
	Wrong wash programme selected.	Use the information in the programme table to select the most appropriate programme.
	Spray arms clogged with food waste.	Clean the holes in the spray arms with thin objects.
	Filters or water drain pump clogged or filter misplaced.	Check the drain hose and filters are correctly fitted.

FAULT	POSSIBLE CAUSE	TROUBLESHOOTING
Whitish stains remains on dishes.	Not enough detergent used.	Use the correct amount of detergent, as instructed in the programme table.
	Rinse aid dosage and/or water softener setting set too low.	Increase rinse aid and/or water softener level.
	High water hardness level.	Increase water softener level and add salt.
	Salt compartment cap not closed properly.	Check that the salt compartment cap is closed properly.
Dishes do not dry.	Drying option is not selected.	Select a programme with a drying option.
	Rinse aid dosage set too low.	Increase rinse aid dosage setting.
Rust stains form on the dishes.	Stainless-steel quality of the dishes is insufficient.	Use only dishwasher-proof sets.
	High level of salt in wash water.	Adjust the water hardness level using water hardness table.
	Salt compartment cap not closed properly.	Check that the salt compartment cap is closed properly.
	Too much salt spilled in the Dishwasher while filling it with salt.	Use funnel while filling salt to the compartment to avoid spillage.
	A poor mains grounding.	Consult a qualified electrician immediately.
Detergent remains in the detergent compartment.	Detergent was added when the detergent compartment was wet.	Make sure detergent compartment is dry before use.

AUTOMATIC FAULT WARNINGS AND WHAT TO DO

TROUBLE CODE	POSSIBLE FAULT	WHAT TO DO
FF	Water inlet system failure	Make sure the water inlet tap is open and water is flowing.
		Separate the inlet hose from the tap and clean the filter of the hose.
		Contact for service if the error continues.
F5	Pressure system failure	Contact for service.
F3	Continuous water input	Close the tap and contact for service.
F2	Inability to discharge water	Water discharge hose and filters may be clogged.
		Cancel the program.
		If the error continues, contact for service.
F8	Heater error	Contact for service.
F1	Overflow	Unplug the machine and close the tap.
		Contact for service.
FE	Faulty electronic card	Contact for service.
F7	Overheating	Contact for service.
F9	Diverter position error	Contact for service.
F6	Faulty heater sensor	Contact for service.
HI	High voltage failure	Contact for service.
LO	Low voltage failure	Contact for service.

If one of program monitor lights is on and start/Pause light is on and off

Your machine's door is open, shut the door.

If the programme won't start

- Check if the plug is connected.
- Check your indoor fuses.
- Be sure that the water inlet tap is turned on.
- Be sure that you have closed the machine door.
- Be sure that you switched off the machine by pressing the Power On / Off button.
- Be sure that the water inlet filter and the machine filters are not clogged.

If the control lamps won't go out after a wash operation

The Power On/Off button is released yet.

If detergent residues are left in the detergent compartment

Detergent has been added when the detergent compartment was wet.

If water is left inside the machine at the end of the programme

- The water drain hose is clogged or twisted.
- The filters are clogged.
- The programme is not finished yet.

If the machine stops during a wash operation

- Power failure.
- Water inlet failure.
- Program can be on standby mode.

If shaking and hitting noises are heard during a wash operation

- Dishes placed incorrectly.
- Spray arm hitting the dishes.

If there are partial food wastes left on the dishes

- Dishes placed incorrectly into the machine, sprayed water did not reach related places.
- Basket overly loaded.
- Dishes leaning against one another.
- Very small amount of detergent added.
- An unsuitable, rather weak wash programme selected.
- Spray arm clogged with food wastes.
- Filters clogged.
- Filters incorrectly fitted.
- Water drain pump clogged.

If there are whitish stains on the dishes

- A very small amount of detergent is being used.
- Rinse aid dosage setting at a very low level.
- No special salt is being used despite the high degree of water hardness.
- Water softener system setting is at a very low level.
- Salt compartment cap not closed well.

If the dishes won't dry up

- A programme without a dry operation selected.
- Rinse aid dosage set too low
- Dishes unloaded too fast.

If there are rust stains on the dishes

- Stainless-steel quality of the dishes washed is insufficient.
- High rate of salt in the wash water.
- Salt compartment cap not closed well.
- Too much salt spilt into the sides and into the machine while filling it with salt.
- Unhealthy mains grounding.

Call an authorised service if the problem still persists after the controls or in case of any malfunction not described above.

XII. PRACTICAL INFORMATION

1. When the machine isn't in operation:
 - Disconnect the plug and close the tap.
 - Leave the door slightly open to prevent odour formation.
2. Select the dry option to remove water droplets.
3. Place dishes in the machine properly to achieve the best energy consumption, washing and drying performance. Please see the programme and consumption table for more information.
4. Rinse dirty dishes before placing them in the dishwasher.
5. Only use the Prewash programme when necessary.
6. Do not place the machine near a refrigerator because it will reach high temperatures.
7. If the machine is located in an area that is at risk of freezing, close the tap, disconnect the inlet hose from the tap and drain the water inside the hose and the machine completely.

CUSTOMER CARE AND SERVICE

Always use original spare parts.

When contacting our Authorised Service Centre, ensure that you have the following data available: Model and Serial Number.

The information can be found on the rating plate. Subject to change without notice.

TECHNICAL DATA

The technical information is situated in the rating plate on the internal side of the appliance and on the energy label.

The QR code on the energy label supplied with the appliance provides a web link to the information related to the performance of the appliance in the EU EPREL database.

Keep the energy label for reference together with the user manual and all other documents provided with this appliance.

It is also possible to find the same information in EPREL using the link <https://eprel.ec.europa.eu> and the model name and product number that you find on the rating plate of the appliance.

To access information about your product in the EPREL portal, you can scan the codes below:



Thank you for purchasing this product. If you need support with your product, visit our website using the links below.

Get User manuals: <https://www.heinner.ro>

Get Service information: <https://www.heinner.ro>



Environment friendly disposal

You can help protect the environment!

Please remember to respect the local regulations: hand in the non-working electrical equipment's to an appropriate waste disposal center.



HEINNER is a registered trademark of **Network One Distribution SRL**. Other brands and product names are trademarks or registered trademarks of their respective holders.

No part of the specifications may be reproduced in any form or by any means or used to make any derivative such as translation, transformation, or adaptation without permission from NETWORK ONE DISTRIBUTION.

Copyright © 2013 Network One Distribution. All rights reserved.

www.heinner.com, <http://www.nod.ro>

<http://www.heinner.com>, <http://www.nod.ro>



This product is in conformity with norms and standards of European Community

Importer: **Network One Distribution**

Marcel Iancu Street, 3-5, Bucharest, Romania

Tel: +40 21 211 18 56, www.heinner.com, www.nod.ro

HEINNER

MASINA DE SPALAT VASE HEINNER HDW-BI4592TE++



- Masina de spalat vase
- Numar de seturi: 10
- Numar de programe: 9
- Clasa energetica: E

Vă mulțumim pentru alegerea acestui produs!

I. INTRODUCERE

Înainte de a utiliza acest aparat, citiți cu atenție manualul de instrucțiuni și păstrați-l pentru consultări ulterioare.

Acest manual este conceput pentru a vă oferi toate instrucțiunile necesare referitoare la instalarea, utilizarea și întreținerea aparatului.

Pentru utilizarea corectă și în siguranță a aparatului, vă rugăm să citiți cu atenție acest manual de instrucțiuni, înainte de instalare și utilizare.

II. CONȚINUTUL PACHETULUI DUMNEAVOASTRĂ



- **Mașina de spălat vase**
- **Manual de utilizare**
- **Certificat de garanție**

III. INSTRUCȚIUNI PRIVIND SIGURANȚA

Informații privind siguranța

După ce mașina vă este livrată

- Asigurați-vă că mașina și/sau ambalajul acesteia nu prezintă deteriorări. Nu porniți mașina dacă aceasta este deteriorată în orice fel. În acest caz, contactați serviciul de asistență tehnică.
- Îndepărtați ambalajele conform indicațiilor și eliminați-le în conformitate cu reglementările aplicabile.

Recomandări privind instalarea mașinii

- Alegeți un loc potrivit, sigur și stabil pentru a instala mașina.
- Efectuați instalarea și realizați racordurile necesare funcționării mașinii în conformitate cu instrucțiunile.
- Această mașină trebuie să fie instalată numai de către un reprezentant de service sau de persoane cu calificări similare.
- Utilizați numai piese de schimb originale.
- Înainte de instalare, asigurați-vă că mașina este deconectată de la sursa de alimentare cu energie electrică.
- Asigurați-vă că instalația electrică este racordată în conformitate cu reglementările privind siguranța.
- Toate conexiunile electrice trebuie să corespundă valorilor indicate pe plăcuța cu date tehnice.
- Asigurați-vă că mașina nu este așezată pe cablul de alimentare.
- Nu utilizați cabluri prelungitoare sau prize multiple. După instalarea mașinii, ștecărul trebuie să fie ușor accesibil.
- După instalarea mașinii, primul ciclu de funcționare a mașinii trebuie să se desfășoare fără încărcătură.

Avertismente privind utilizarea

- Această mașină este destinată exclusiv uzului casnic și nu trebuie utilizată în alte scopuri. Utilizarea în scopuri comerciale va duce la anularea garanției.
- Nu vă așezați și nu puneți obiecte pe ușa deschisă a mașinii de spălat.
- Utilizați numai detergenți și agenți de clătire special concepuți pentru mașini de spălat vase. Compania noastră nu poartă răspunderea pentru nicio deteriorare care poate interveni ca urmare a utilizării necorespunzătoare.
- Apa din compartimentul de spălare al mașinii nu este potabilă.
- Pentru evitarea pericolului de explozie, nu puneți agenți de dizolvare în compartimentul de spălare al mașinii.
- Asigurați-vă că obiectele din material plastic sunt rezistente la căldură înainte de a le introduce în mașină.
- Aparatul poate fi utilizat de către copii cu vârste începând de la 8 ani și de către persoane cu capacități fizice, senzoriale sau mentale reduse, cu lipsă de experiență sau cunoștințe, numai dacă acestea sunt supravegheate sau instruite în ceea ce privește utilizarea în siguranță a aparatului și dacă înțeleg pericolele pe care le implică utilizarea. Copiii nu au voie să se joace cu aparatul. Curățarea și întreținerea nu trebuie realizate de către copii nesupravegheați.
- Nu puneți în mașină obiecte care nu sunt potrivite pentru spălare în mașina de spălat vase. Nu supraîncărcați coșurile mașinii. Compania noastră nu își asumă răspunderea pentru zgârieturile sau rugina produse în interiorul mașinii de spălat vase ca urmare a deplasării coșurilor.
- Nu deschideți ușa mașinii în timpul funcționării, deoarece apa fierbinte se poate scurge. Mașina este prevăzută cu un sistem de siguranță care oprește funcționarea în momentul deschiderii ușii.
- Nu lăsați deschisă ușa mașinii. În caz contrar, pot interveni accidente.
- Puneți cuțitele și alte obiecte ascuțite în coșul pentru tacâmuri, cu lama în jos.
- Pentru evitarea pericolelor, în cazul în care cablul de alimentare este deteriorat, acesta trebuie înlocuit de către producător, de către agentul său de service sau de persoane cu o calificare similară.

- Aparatul nu este destinat utilizării de către persoane (inclusiv copii) care au capacități fizice, senzoriale sau mentale reduse, sau cărora le lipsesc experiența și cunoștințele necesare, decât dacă sunt supravegheate sau au fost instruite cu privire la utilizarea aparatului de către o persoană care răspunde pentru siguranța acestora.
- În cazul modelelor dotate cu sistem automat de deschidere a ușii, dacă funcția EnergySave este activă, ușa se va deschide la finalizarea programului. După deschiderea ușii, așteptați timp de un minut înainte de a încerca să închideți ușa, pentru a nu deteriora sistemul automat de deschidere a ușii. Ușa trebuie lăsată deschisă timp de 30 de minute, pentru a se asigura o uscare eficientă (în cazul modelelor prevăzute cu sistem automat de deschidere a ușii). **ACEST MODEL NU ESTE PREVĂZUT CU SISTEM AUTOMAT DE DESCHIDERE A UȘII.**

Avertisment: Nu stați în fața ușii după ce auziți semnalul sonor care indică deschiderea automată a ușii.

Pentru siguranța copiilor

- După îndepărtarea ambalajelor mașinii de spălat, asigurați-vă că acestea nu sunt lăsate la îndemâna copiilor.
- Nu permiteți copiilor să se joace cu mașina sau să o pornească.
- Nu lăsați copiii să se apropie de detergenți și agenți de clătire.
- Nu permiteți copiilor să se apropie de mașină atunci când ușa acesteia este deschisă, deoarece în interior pot rămâne resturi de substanțe de curățare.
- După ce nu mai folosiți mașina, asigurați-vă că aceasta nu reprezintă un pericol pentru copii. Au existat cazuri în care copiii au rămas blocați în interiorul mașinilor. Pentru a preveni o astfel de situație, spargeți sistemul de închidere a ușii mașinii și rupeți cablurile electrice.

În cazul problemelor de funcționare

- Orice problemă de funcționare a mașinii trebuie remediată numai de către persoane calificate. Orice reparație efectuată de către alte persoane decât cele aparținând personalului unui service autorizat va duce la anularea garanției.
- Înainte de efectuarea oricăror lucrări de reparații, asigurați-vă că mașina este deconectată de la sursa de alimentare cu energie electrică. Deconectați siguranța electrică a circuitului de alimentare sau scoateți din priză ștecărul mașinii. Atunci când deconectați ștecărul de la sursa de alimentare, nu trageți de cablu. Asigurați-vă că robinetul de apă este închis.

Recomandări

- Pentru economisi energie și apă, îndepărtați resturile de mâncare de pe vase înainte de a le introduce în mașină. Porniți mașina după ce o încărcați complet.
- Utilizați programul de prespălare numai atunci când este necesar.
- Poziționați vasele precum bolurile, paharele și oalele în mașină astfel încât acestea să fie cu gura în jos.
- Vă recomandăm să nu puneți în mașină prea multe vase sau vase diferite de cele indicate în acest manual de instrucțiuni.

Obiecte care nu sunt potrivite pentru spălare în mașina de spălat vase:

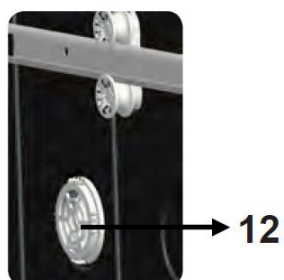
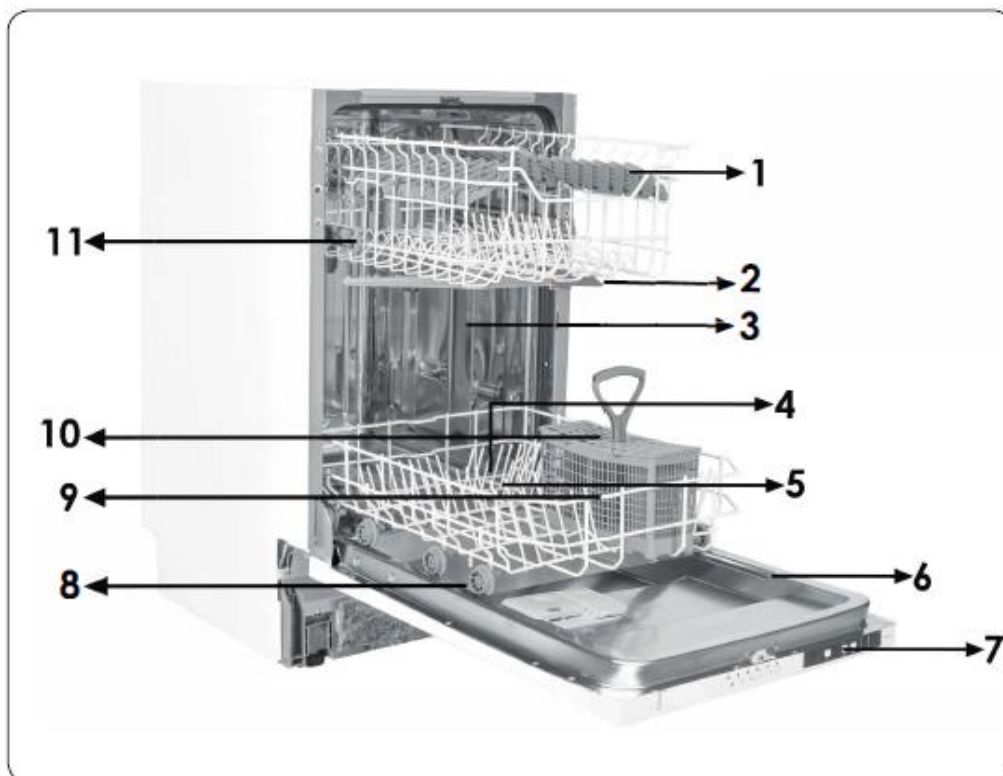
- Vase cu urme de scrum de țigară, ceară, lac, vopsea, substanțe chimice sau obiecte din aliaje pe bază de fier;
- Furculițe, linguri și cuțite cu mâner din lemn, os sau fildeș; obiecte lipite, obiecte pătate cu substanțe chimice abrazive, acide sau bazice.
- Obiecte din material plastic care nu sunt termorezistente, recipiente din cupru sau acoperite cu cositor.
- Obiecte din aluminiu și argint (se pot decolora sau deteriora).
- Anumite tipuri de sticlă sensibilă, porțelanuri cu modele ornamentale, deoarece acestea se decolorează chiar și după prima spălare; anumite obiecte din cristal, deoarece acestea își pierd în timp transparența, tacâmurile care nu sunt termorezistente, pahare de cristal, tocătoare, obiecte care au în compoziție fibre sintetice.
- Obiecte absorbante precum bureții sau lavetele de bucătărie nu sunt potrivite pentru spălare în mașina de spălat vase.

Avertisment: Utilizați numai vase rezistente la spălare în mașina de spălat vase.

Reciclare

- Anumite componente ale mașinii și ambalajul sunt fabricate din materiale reciclabile.
- Componentele din plastic sunt marcate cu abrevieri internaționale: (>PE< , >PS< , >POM< , >PP< ,)
- Componentele din carton sunt fabricate din hârtie reciclată, putând fi depozitate în containere pentru colectarea hârtiei în vederea reciclării.
- Aceste materiale nu trebuie aruncate împreună cu deșeurile menajere, ci trebuie predate la centrele de reciclare.
- Contactați centrele de reciclare pentru a obține informații privind metodele și punctele de colectare.

IV. DESCRIEREA PRODUSULUI



1. Coș superior cu rafturi ajustabile
2. Braț de pulverizare superior
3. Coș inferior
4. Braț de pulverizare inferior
5. Filtre
6. Plăcuță cu date tehnice
7. Panou de comandă
8. Dozator pentru detergent și agent de clătire
9. Coș pentru tacâmuri
10. Compartiment pentru sare
11. Șină coș superior
- 12. Sistem de uscare activă:** Acest sistem permite o uscare mai eficientă a vaselor.

Caracteristici tehnice

Capacitate	10 seturi de vase
Înălțime	820 mm
Lățime	448 mm
Adâncime	550 mm
Greutate netă	32 kg
Alimentare	220-240 V, 50 Hz
Putere totală	1900 W
Putere de încălzire	1800 W
Puterea pompei	100 W
Puterea pompei de evacuare	30 W
Presiune de alimentare cu apă	Maximă: 1 (Mpa) Minimă: 0,03 (Mpa)
Curent	10 A

V. INSTALARE

Poziționarea mașinii

Atunci când poziționați mașina, alegeți un loc accesibil, astfel încât să puteți introduce vasele în mașină cu ușurință. Nu amplasați mașina în spații unde este posibil ca temperatura camerei să scadă sub 0 °C.

Înainte de îndepărtarea ambalajului și poziționarea mașinii, citiți toate instrucțiunile de pe ambalaj.

Amplasați mașina aproape de un robinet de apă și de o scurgere. Luați în calcul faptul că racordurile nu vor fi modificate după ce poziționați mașina.

Nu deplasați mașina ținând-o de ușa sau de panoul de comandă.

Lăsați un spațiu suficient în jurul mașinii, pentru a o putea deplasa cu ușurință atunci când doriți să o curățați.

Asigurați-vă că furtunul de alimentare cu apă și cel de evacuare nu sunt obstrucționate și că mașina nu este așezată pe cablul electric. Reglați picioarele mașinii, astfel încât aceasta să fie dreaptă și echilibrată. Mașina trebuie poziționată pe o suprafață orizontală. În caz contrar, mașina va fi instabilă, iar ușa acesteia nu se va închide corespunzător.

Racordarea la sursa de apă

Vă recomandăm să instalați un filtru între sursa de alimentare cu apă și mașină, pentru a evita deteriorarea mașinii din cauza impurităților (nisip, rugină etc.) provenite din țevile instalației. De asemenea, instalarea unui filtru previne îngălbenirea și formarea depunerilor de calcar după spălare.

Atenție la inscripția de pe furtunul de alimentare cu apă! Dacă modelul este marcat cu 25°, temperatura apei poate fi de maximum 25 °C.

Pentru alte modele: Se preferă apa rece; temperatura maximă a apei calde 60 °C.

Furtunul de alimentare cu apă

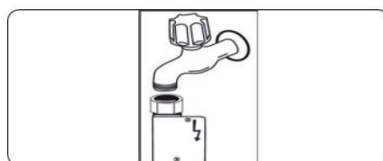



AVERTISMENT: Utilizați furtunul de alimentare cu apă furnizat împreună cu mașina. Nu utilizați un furtun vechi.

AVERTISMENT: Clătiți cu apă furtunul nou înainte de a-l monta.

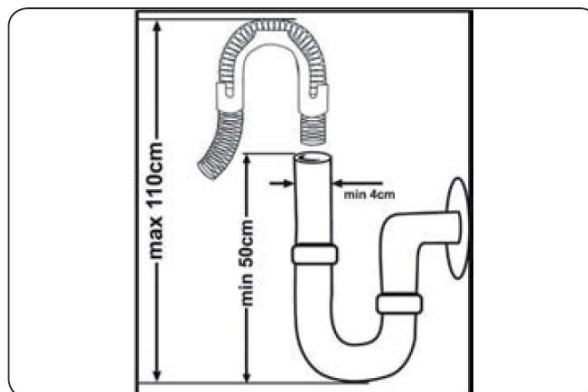
AVERTISMENT: Conectați furtunul de alimentare cu apă direct la robinet. Presiunea apei furnizate de robinet trebuie să fie de minimum 0,03 Mpa și de maximum 1 Mpa. Dacă presiunea apei depășește 1 Mpa, trebuie montată între furtun și robinet o supapă de reducere a presiunii.

AVERTISMENT: După realizarea racordurilor, deschideți complet robinetul și verificați dacă există scurgeri de apă. Închideți robinetul de apă după fiecare finalizare a unui program de spălare.

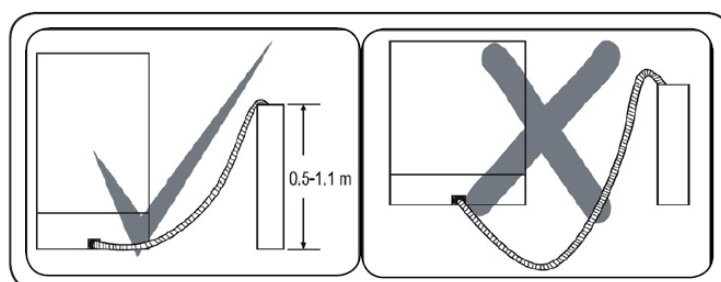


 Modelul dumneavoastră este echipat cu dispozitiv de siguranță Aquastop. Nu deteriorați acest dispozitiv și nu permiteți îndoirea sau răsucirea acestuia.

Furtunul de evacuare



Racordați furtunul de evacuare direct la scurgere sau la conducta de scurgere a chiuvetei. Acest racord trebuie să fie la o distanță de cel puțin 50 de cm și cel mult 110 cm de la nivelul podelei. **IMPORTANT:** Dacă utilizați un furtun de evacuare cu o lungime de peste 4 metri, este posibil ca vasele să nu fie spălate corespunzător.



Conectarea la rețeaua electrică

AVERTISMENT: Mașina dumneavoastră este concepută să funcționeze la 220-240 V. Dacă tensiunea din locul de instalare este de 110 V, este necesară conectarea unui transformator de la 110 V la 220 V, 3000 W. Mașina nu trebuie conectată la priză în timpul montării. Ștecărul prevăzut cu împământare al mașinii trebuie să fie conectat la o priză cu împământare corespunzătoare.

În cazul în care împământarea nu este disponibilă, contactați un electrician calificat în vederea realizării unei instalații de împământare. În cazul utilizării fără împământare, nu ne asumăm răspunderea pentru pierderile suferite.

Valoarea curentului siguranței electrice trebuie să fie de 10-16 A.

La tensiuni scăzute, eficiența de spălare a mașinii se va reduce.

Cablul de alimentare al mașinii trebuie înlocuit numai de un service autorizat sau de un electrician autorizat. Nerespectarea acestei indicații poate duce la producerea de accidente.

Din motive de siguranță, întotdeauna asigurați-vă că ați scos din priză mașina după ce programul de spălare s-a terminat.

Pentru a evita pericolul de electrocutare, nu deconectați mașina de spălat vase de la priză având mâinile umede.

Când scoateți din priză mașina întotdeauna trageți de ștecher. Nu trageți niciodată de cablu.

Conectați produsul la o priză împământată, protejată cu o siguranță conformă cu valorile din tabelul „Specificații tehnice”.

VI. ÎNAINTE DE UTILIZAREA APARATULUI

Pregătirea mașinii de spălat vase pentru prima utilizare

- Asigurați-vă că specificațiile instalației de alimentare cu apă și ale instalației electrice corespund valorilor indicate în cadrul instrucțiunilor privind instalarea mașinii.
- Îndepărtați toate ambalajele din interiorul mașinii.
- Setează nivelul agentului de dedurizare a apei.
- Umpleți compartimentul pentru agent de clătire.

Importanța dedurizării apei

Mașina de spălat vase funcționează în parametri optimi cu apă dedurizată. În caz contrar, pot rămâne reziduuri de calcar pe vase și pe componentele din interiorul mașinii. Acest lucru va afecta în mod negativ performanțele de spălare și clătire ale mașinii. Atunci când apa trece prin sistemul de dedurizare, ionii care formează duritatea apei sunt îndepărtați din apă, aceasta atingând calitatea necesară pentru o spălare optimă. În funcție de duritatea apei, acești ioni se acumulează rapid în interiorul sistemului de dedurizare a apei. Prin urmare, sistemul de dedurizare trebuie menținut funcțional, pentru a se asigura același nivel de performanță și la următoarele spălări. În acest scop, se utilizează sare de dedurizare specială pentru mașini de spălat vase.

Umplerea compartimentului pentru sare

Utilizați sare de dedurizare specială pentru mașini de spălat vase. Pentru a pune sare de dedurizare, scoateți mai întâi coșul inferior, apoi desfaceți capacul compartimentului pentru sare prin rotire în sens contrar acelor de ceasornic (1) (2). La prima utilizare, umpleți complet compartimentul cu 1 kg de sare și apă (3). Utilizarea unei pâlnii ușurează umplerea compartimentului (4). **Pâlnia nu este livrată împreună cu produsul.**

Puneți capacul la loc și închideți-l. La fiecare 20-30 de spălări, umpleți compartimentul cu sare (aprox. 1 kg).

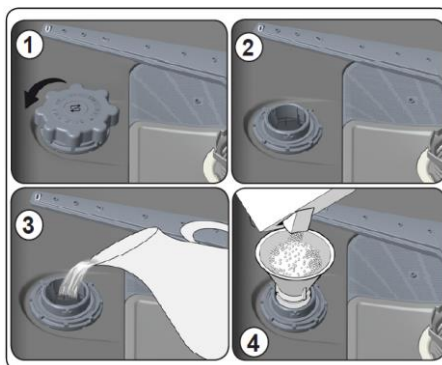
Vă recomandăm să folosiți sare de dedurizare fină sau sub formă de pudră. Nu puneți sare de masă în mașină. În caz contrar, eficiența compartimentului pentru sare de dedurizare poate scădea în timp. La pornirea mașinii de spălat vase, compartimentul pentru sare se umple cu apă. Prin urmare, este necesar să puneți sarea de dedurizare în compartiment înainte de pornirea mașinii. Astfel, sarea care dă pe afară este îndepărtată imediat prin procesul de spălare. Dacă sarea de dedurizare dă pe afară și nu intenționați să porniți mașina imediat, porniți un program de spălare scurt fără vase, pentru a proteja mașina împotriva coroziunii.

Puneți apă în compartimentul pentru sare numai la prima utilizare.

Utilizați sare de dedurizare specială pentru mașini de spălat vase.

La pornirea mașinii de spălat vase, compartimentul pentru sare se umple cu apă. Prin urmare, este necesar să puneți sarea de dedurizare în compartiment înainte de pornirea mașinii.

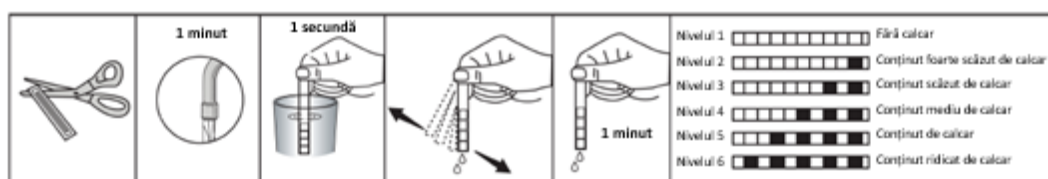
Dacă sarea de dedurizare dă pe afară și nu intenționați să porniți mașina imediat, porniți un program de spălare scurt fără vase, pentru a proteja mașina împotriva coroziunii.



Banda de testare (nu este livrată împreună cu produsul)

Eficiența mașinii de spălat depinde de duritatea apei de la robinet. Mașina de spălat vase este echipată cu un sistem de dedurizare a apei provenite de la robinet. Eficiența spălării va crește dacă sistemul este setat corect. Pentru a afla nivelul de duritate a apei de la robinet, contactați compania de apă din zona dumneavoastră sau utilizați o bandă de testare (trebuie achiziționată separat!)

Scoateți banda de testare din ambalaj	Lăsați apa să curgă la robinet timp de 1 minut.	Țineți banda de testare în apă timp de 1 secundă.	Scuturați banda de testare după ce o scoateți din apă.	Așteptați timp de 1 minut.	Efectuați reglajele privind duritatea apei în funcție de rezultatele obținute cu ajutorul benzii de testare.
---------------------------------------	---	---	--	----------------------------	--



NOTĂ: Nivelul 3 este setat implicit. Dacă apa este apă de fântână sau are o duritate peste 90 dF, recomandăm utilizarea unor dispozitive de filtrare și purificare.

Tabel cu duritatea apei

Nivelul de duritate a apei.	Nivel de duritate german dH	Nivel de duritate francez dF	Nivel de duritate britanic dE	Indicație nivel duritate
1	0-5	0-9	0-6	Afișajul indică L1.
2	6-11	10-20	7-14	Afișajul indică L2.
3	12-17	21-30	15-21	Afișajul indică L3.
4	18-22	31-40	22-28	Afișajul indică L4.
5	23-31	41-55	29-39	Afișajul indică L5.
6	32-50	56-90	40-63	Afișajul indică L6.

Sistemul de dedurizare a apei

Mașina de spălat vase este echipată cu un sistem de dedurizare a apei provenite de la robinet. Pentru a afla nivelul de duritate a apei de la robinet, contactați compania de apă din zona dumneavoastră sau utilizați o bandă de testare (dacă este disponibilă).

Setarea

Pentru a modifica nivelul de sare, urmați pașii de mai jos:

- Atingeți butonul program și țineți apăsat.
- Porniți mașina.
- Țineți apăsat butonul Program până când dispare „SL”.
- Aparatul va afișa ultima setare.
- Setări nivelul atingând butonul Program.
- Opriți aparatul pentru a salva setarea.

AVERTISMENT: În caz de mutare și pentru o eficiență a spălării este important să configurați setările de duritate a apei conform durității apei din zona în care locuiți acum.

Utilizarea detergentului

Utilizați numai detergenți speciali pentru mașini de spălat vase.

Pentru o eficiență maximă a spălării, utilizați cantitatea de detergent recomandată pentru programul de spălare selectat.

Păstrați detergenții într-un loc răcoros și uscat, la care să nu aibă acces copiii.

Puteți găsi în comerț detergenți sub forma de pudră, gel și tablete pentru mașini de spălat vase. Detergentul trebuie pus în compartiment înainte de a porni mașina. Păstrați detergenții într-un loc răcoros și uscat, la care copiii să nu aibă acces.

Nu puneți în compartiment mai mult detergent decât este necesar; în caz contrar, paharele pot fi zgâriate, iar detergentul nu se va dizolva corespunzător.

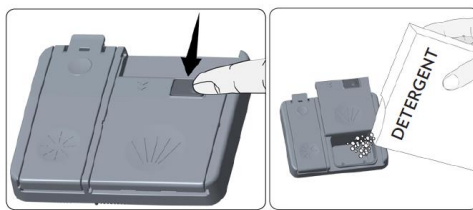
Pentru informații suplimentare privind detergentul, consultați instrucțiunile furnizate de producătorul detergentului.

Alimentarea dozatorului cu detergent

Apăsați pe sistemul de blocare pentru a deschide dozatorul, apoi puneți detergent în dozator.

Compartimentul este prevăzut cu gradații în interior. Puteți măsura cantitatea corectă de detergent cu ajutorul acestor gradații. Compartimentul pentru detergent are o capacitate maximă de 40 cm³. Deschideți cutia cu detergent și puneți în compartimentul mai mare 25 cm³ dacă vasele sunt foarte murdare sau 15 cm³ dacă nu sunt foarte murdare. Dacă vasele au stat murdare mai mult timp, dacă prezintă resturi de alimente uscate și dacă ați încărcat mult mașina, puneți 5 cm³ detergent în compartimentul pentru detergent de prespălare și porniți mașina.

Poate fi necesar să adăugați mai mult detergent, în funcție de gradul de murdărire și de nivelul durității apei.



Utilizarea detergenților combinați

Producătorii de detergenți fabrică și detergenți combinați denumiți „2 în 1”, „3 în 1”, „5 în 1” etc.

Detergenții „2 în 1” conțin detergent + sare sau agent de clătire. Atunci când utilizați detergenți 2 în 1, verificați caracteristicile acestora.

Unii detergenți conțin detergent + agent de clătire + sare + alte substanțe.

În general, detergenții combinați asigură rezultate eficiente numai în anumite condiții de utilizare. Acești detergenți conțin agent de clătire și/sau sare în cantități prestabilite.

Recomandări privind utilizarea acestui tip de produse:

- Asigurați-vă că verificați caracteristicile produsului pe care urmează să îl utilizați și dacă acesta face sau nu parte din categoria produselor combinate.
- Asigurați-vă că detergentul utilizat este adecvat pentru duritatea apei din zona în care locuiți.
- Citiți cu atenție instrucțiunile de pe ambalaje în cazul utilizării acestor produse.
- Dacă acești detergenți sunt sub formă de tablete, nu îi puneți în interiorul coșului pentru tacâmuri al mașinii de spălat vase. Puneți întotdeauna tabletele în compartimentul pentru detergent al dozatorului de detergent.
- Acest tip de produse asigură rezultate bune numai în cazul anumitor utilizări. În cazul în care utilizați acest tip de detergenți, este necesar să apelați la asistență din partea producătorilor, pentru obținerea de informații privind utilizarea corespunzătoare.
- Atunci când condițiile de utilizare a acestor produse și setările mașinii sunt cele corespunzătoare, veți economisi sare de dedurizare și/sau agent de clătire.
- Contactați producătorii de detergenți în cazul în care rezultatele spălării nu sunt satisfăcătoare (dacă vasele rămân ude și prezintă urme de calcar) în urma utilizării detergenților „2 în 1” sau „3 în 1”. Garanția pentru mașina dumneavoastră nu este aplicabilă reclamațiilor apărute în urma utilizării acestor tipuri de detergenți.

Recomandări privind utilizarea: Dacă doriți să obțineți rezultate mai bune atunci când utilizați detergenți combinați, puneți sare și agent de clătire în compartimentele corespunzătoare ale mașinii și setați nivelul de duritate a apei și nivelul agentului de clătire la cele mai scăzute valori. Solubilitatea detergenților sub formă de tablete produși de diferite companii poate varia în funcție de temperatură și de durata de utilizare. Prin urmare, utilizarea acestor detergenți în cadrul programelor scurte nu este recomandată. În cadrul acestor programe, este mai potrivită utilizarea detergenților sub formă de pudră.

Avertisment: Dacă întâmpinați probleme atunci când utilizați aceste tipuri de detergenți, contactați direct producătorii de detergenți.

În cazul întreruperii utilizării detergenților combinați:

- Umpleți compartimentul pentru sare de dedurizare și compartimentul pentru agent de clătire.
- Setați nivelul de duritate a apei la valoarea cea mai ridicată (6) și porniți un ciclu de funcționare fără vase.
- Setați nivelul de duritate a apei.
- Setați nivelul agentului de clătire.

Aditivul de clătire

Aditivul de clătire contribuie la uscarea vaselor fără urme sau pete. Aditivul de clătire este necesar pentru ca vesela să nu aibă pete și pentru ca paharele să se mențină transparente. Aditivul de clătire este eliberat automat în cursul fazei de clătire cu apă fierbinte. Dacă doza de aditiv de clătire este prea scăzută, pe vase rămân pete albe iar vasele nu se curăță complet. Dacă doza este prea mare, puteți observa un strat albăstrui pe vase.

Umplerea compartimentului pentru aditiv de clătire și setarea

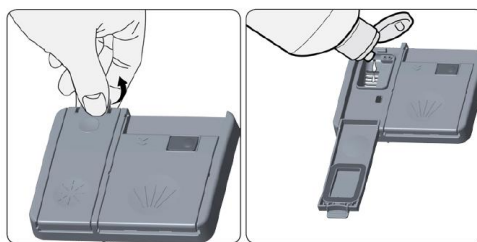
Pentru umplerea compartimentului pentru aditiv de clătire, deschideți capacul compartimentului. Umpleți compartimentul cu agent de clătire până la nivelul MAX, apoi închideți capacul. Aveți grijă să nu umpleți excesiv compartimentul pentru agent de clătire și să îndepărtați eventualele scurgeri.

Pentru a modifica nivelul agentului de clătire, urmați pașii de mai jos înainte de pornirea mașinii.

- Apăsăți și mențineți apăsat butonul de programare.
- Porniți mașina.
- Mențineți apăsat butonul de programare până când indicația „rA” dispăre de pe afișaj. Setarea pentru agentul de clătire urmează după setarea durității apei.
- Mașina va afișa setarea curentă.
- Modificați nivelul apăsând pe butonul de programare.
- Pentru memorarea setării, opriți mașina.

Setarea stabilită în fabrică este „4”.

Dacă vasele nu se usucă bine sau prezintă pete, creșteți nivelul. Dacă pe vase apar pete albastre, reduceți nivelul.



Nivel	Doză de agent de clătire	Indicație
1	Nu se eliberează agent de clătire	Afișajul indică r1.
2	Se eliberează 1 doză	Afișajul indică r2.
3	Se eliberează 2 doze	Afișajul indică r3.
4	Se eliberează 3 doze	Afișajul indică r4.
5	Se eliberează 4 doze	Afișajul indică r5.

VII. ÎNCĂRCAREA COȘURILOR MAȘINII DE SPĂLAT VASE

Pentru cele mai bune rezultate, urmați aceste instrucțiuni de încărcare.

Dacă așezați în mod corespunzător vasele în mașină, o veți folosi în cel mai bun mod în ceea ce privește consumul de energie, spălarea și uscarea.

Pre-clătirea manuală a obiectelor de masă duce la creșterea consumului de apă și energie și nu este recomandată

Mașina este prevăzută cu două coșuri separate în care puteți pune vasele.

În coșul inferior, puteți încărca vase rotunde și adânci cum ar fi oale cu coada lungă, capace de oale, farfurii pentru salate, tacâmuri.

Coșul superior a fost conceput pentru farfurii pentru ceai, farfurii pentru deserturi, boluri pentru salate, căni și pahare. Paharele sau cupele cu picior înalt trebuie sprijinite de marginea coșului sau de suportul pentru pahare, nu de alte obiecte. Nu sprijiniți paharele lungi unele de altele, deoarece acestea nu vor avea stabilitate și există riscul de a le deteriora.

Vă recomandăm să puneți obiectele de mici dimensiuni în partea centrală a coșurilor. Puteți pune lingurile printre celelalte tacâmuri, pentru a preveni lipirea acestora unele de celelalte. Recomandăm utilizarea raftului pentru tacâmuri în vederea obținerii unor rezultate optime ale spălării.

Așezați toate recipientele precum cani, pahare și vase adânci (oale, cratiti) în mașina de spălat vase, cu deschiderea orientată în jos, altfel apa se poate colecta în interiorul acestora.

Atenție: Pentru a evita posibile răniri, puneți întotdeauna obiectele cu mâner lung și vârfuri ascuțite, cum ar fi furculițele de servire sau cuțitele de pâine etc. cu vârfurile sau muchiile ascuțite orientate în jos sau orizontal pe coșuri.

Avertisment: Puneți vasele în mașină astfel încât acestea să nu blocheze rotirea brațului de pulverizare superior și a celui inferior.

Avertisment: Asigurați-vă că, după încărcarea vaselor, nu împiedicați deschiderea dozatorului de detergent

Recomandări

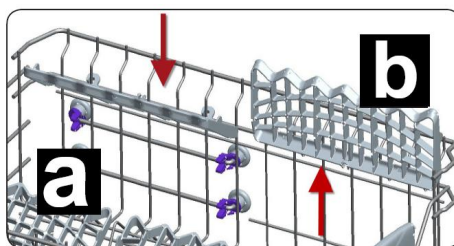
Îndepărtați orice reziduu grosier de pe vase înainte de a introduce vasele în mașină.

Porniți mașina încărcată cu sarcină maximă.

Nu supraîncărcați sertarele și nu așezați vasele în coșul greșit.

Rafturile

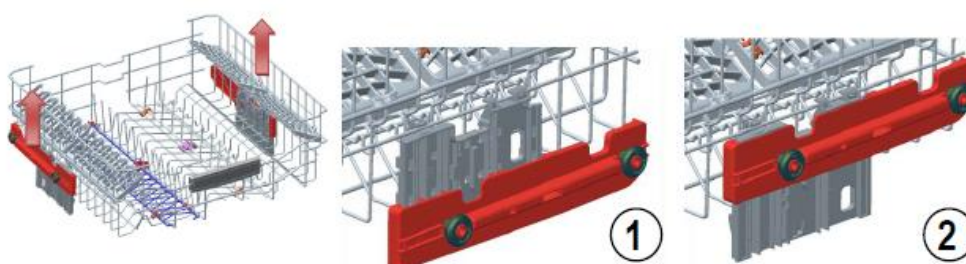
Rafturile din coșul superior pot fi deschise (a) sau închise (b). Puneți pahare și ustensile mari (orizontal) pe rafturi pentru a le spăla. De asemenea, puteți utiliza rafturile pentru a pune pe acestea furculițe, cuțite și linguri lungi, pe lateral.



Reglarea înălțimii coșului superior

Mecanismul de reglare a înălțimii coșului aflat pe coșul superior al mașinii dumneavoastră este proiectat să vă permită să reglați înălțimea coșului superior în sus sau în jos, fără a-l scoate din mașină atunci când este plin, și să creați spații mai mari în partea superioară sau inferioară a mașinii după cum aveți nevoie. Setările din fabrică prevăd ca acestasă fie setat în poziția superioară. Pentru ridicarea coșului, prindeți-l de ambele părți și trageți de acesta în sus. Pentru coborârea coșului, prindeți-l din nou de ambele părți, și lăsați-l.

Atunci când mecanismul de reglare a coșului se află sub sarcină, asigurați-vă că ambele părți se află în aceeași poziție (sus sau jos)

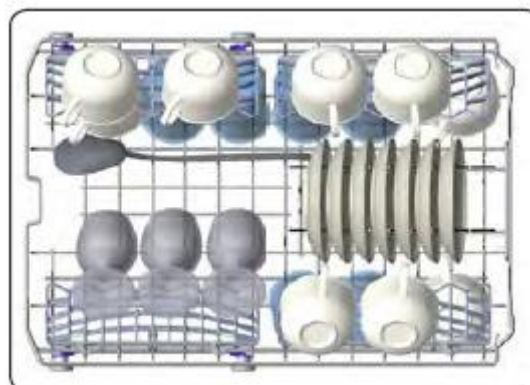


Așezarea vaselor în coșuri

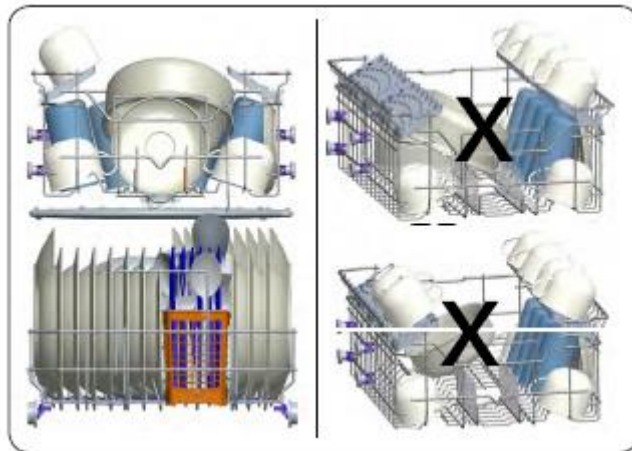
Coșul inferior



Coșul superior



Așezare incorectă



Încărcarea incorectă

Încărcarea incorectă poate cauza performanțe reduse de spălare și uscare. Urmați recomandările producătorului pentru rezultate satisfăcătoare.

VIII. TABEL DE PROGRAME

Denumire program:	P1	P2	P3	P4	P5
	Eco	Smart 60 °C-70 °C	Smart 50 °C - 60 °C	Smart 30 °C- 50 °C	Igienă 70°C
Tip de reziduuri:	Program standard pentru vase de uz zilnic, cu grad normal de murdărire, cu consum redus de energie și apă.	Program automat pentru vase foarte murdare.	Program automat pentru vase cu un grad normal de murdărire.	Program automat pentru vase delicate, cu un grad normal de murdărire.	Pentru vase foarte murdare ce necesită spălare igienică
Nivel de murdărire:	Medie	Intensă	Medie	Medie	Intensă
Cantitate de detergent: A: 25 cm ³ B: 15 cm ³	A	A	A	A	A
Durată program (h:min):	03:42	01:46 - 02:32	01:28 - 01:44	01:06 - 01:20	02:04
Consum de energie (kWh/ciclu):	0.755	1.100 - 1.650	0.900 - 1.250	0.600 - 0.750	1.550
Consum de apă (l/ciclu):	9.0	10.0 - 20.0	9.6- 16.7	9.7 - 16.0	14.6

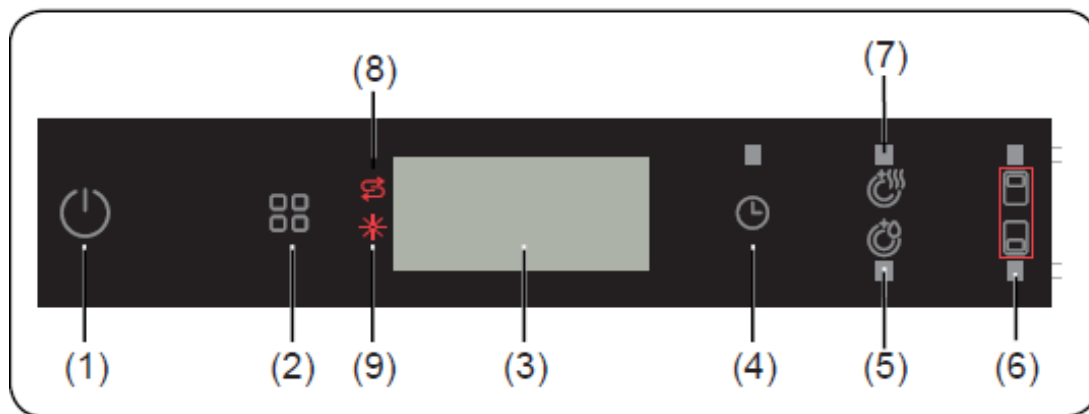
- Durata programului se poate modifica în funcție de cantitatea de vase, temperatura apei, temperatura ambiantă și funcțiile suplimentare selectate.
- Valorile furnizate pentru alte programe decât programul ECO sunt doar orientative.
- Programul Eco este adecvat pentru curățarea veselei cu grad normal de murdărire, pentru această utilizare fiind cel mai eficient program din punct de vedere al consumului de energie și apă, fiind utilizat pentru evaluarea conformității cu legislația europeană Ecodesign.
- Spălarea veselei în mașina de spălat vase de uz casnic de regulă consumă mai puțină energie și mai puțină apă în faza de spălare decât spălarea manuală, atunci când mașina de spălat vase de uz casnic este utilizată conform indicațiilor producătorului.

Denumire program:	P6	P7	P8	P9
	Super 50'	Delicat 40 °C	Rapid 30'	Mini 14'
Tip de reziduuri:	Pentru vase de uz zilnic, cu un grad normal de murdărie, cu un program mai rapid.	Pentru vase puțin murdare și delicate.	Pentru vase puțin murdare și o spălare rapidă.	Cel mai rapid program pentru vase puțin murdare și recent utilizate, adecvat pentru vesela corespunzătoare pentru 4 persoane.
Nivel de murdărire:	Medie	Ușoară	Ușoară	Ușoară
Cantitate de detergent: A: 25 cm ³ B: 15 cm ³	A	A	A	B
Durață program (h:min):	00:50	01:14	00:30	00:14
Consum de energie (kWh/ciclu):	0.880	0.740	0.600	0.250
Consum de apă (l/ciclu):	9.5	13.2	9.9	6.6

- Utilizați numai detergent pulbere pentru programele scurte.
- Programele scurte nu includ uscarea.
- Pentru a grabi procesul de uscare al vaselor, ca recomandam sa deschideti usa dupa finalizarea ciclului de spalare.
- Puteți accesa baza de date a produselor, unde sunt stocate datele referitoare la model, prin citirea codului QR de pe eticheta energetica.

NOTĂ: Conform regulamentelor 1016/2010 și 1059/2010, valorile consumului de energie al programului Eco pot fi diferite. Prezentul tabel este conform cu reglementările 2019/2022 și 2017/2022.

IX. PANOUL DE COMANDĂ



1. **Buton Pornire/Oprit**
2. **Buton program**
3. **Afișaj**
4. **Buton de temporizare**
5. **Buton clătire suplimentară**
6. **Buton de încărcare la jumătate**
7. **Buton uscare suplimentară**
8. **Indicator avertizare lipsă sare**
9. **Indicator avertizare lipsă aditiv de clătire**

1. Buton Pornire/Oprit

Porniți mașina apăsând butonul Pornit/ Oprit. Când mașina este pornită, afișajul (3) indică „--“.

2. Buton program

Atingând butonul Program, selectați un program adecvat pentru vasele dvs. Programul va începe automat la închiderea ușii.

3. Afișaj

În timpul funcționării afișajul indică alternativ numărul programului selectat și durata totală și durata rămasă.

4. Buton de temporizare

Apăsați butonul Temporizare pornire pentru a amâna pornirea unui program de la 1 oră până la 19 ore. Prin apăsarea o singură dată se va amâna începerea programului cu 1 oră, și continuând să apăsați butonul va crește timpul de amânare. Apăsați butonul Temporizare pentru a modifica sau anula pornirea temporizată. Dacă opriți mașina după activarea timpului de amânare, timpul de amânare se va anula.

NOTĂ: Apăsați și mențineți apăsat butonul Temporizare pentru a modifica mai rapid pornirea temporizată. Rata de modificare în timp este proporțională cu cât de mult timp este ținut apăsat butonul. Atunci când butonul de pornire întârziată este apăsat o perioadă lungă de timp, cronometrul se oprește la „h:00”.

Pot fi selectate și funcții suplimentare.

5. Buton clătire suplimentară

Dacă este selectată opțiunea Clătire suplimentară, pași suplimentari de spălare-clătire vor fi adăugați la programul selectat, iar astfel vă puteți asigura că vasele dvs. vor fi mai curate și mai strălucitoare.

6. Buton de încărcare la jumătate

Apăsați butonul Încărcare la jumătate pentru a selecta zona mașinii care conține vasele pentru spălat. Puteți selecta ambele coșuri, doar coșul superior sau doar coșul inferior. Țineți butonul apăsat până când se aprinde lumina corespunzătoare coșului ce conține vasele pentru spălat.

7. Buton uscare suplimentară

Apăsați butonul de uscare suplimentară pentru a adăuga pași de uscare suplimentară la un program pentru a obține vase mai uscate. Această opțiune crește temperatura apei la pasul de clătire finală și durata ciclului de uscare.

NOTĂ: De fiecare dată când mașina este oprită și pornită, programul Eco va fi setat ca implicit. Opțiunile alese anterior vor fi anulate.

NOTĂ: Dacă o opțiune nu este compatibilă cu programul selectat, se va auzi un semnal sonor.

NOTĂ: Dacă a fost folosită o funcție suplimentară în ultimul program de spălare selectat, această funcție va rămâne activă și la următorul program selectat. Pentru a anula această funcție pe programul nou selectat, apăsați butonul funcției respective până ce lumina butonului se stinge.

8. Indicator avertizare lipsă sare

Dacă sarea de dedurizare este insuficientă, se va aprinde indicatorul de avertizare Lipsă sare pentru a indica faptul că trebuie umplut compartimentul de sare.

9. Indicator avertizare lipsă aditiv de clătire

Dacă aditivul de clătire este insuficient, se va aprinde indicatorul de avertizare Lipsă de aditiv de clătire pentru a indica faptul că trebuie umplut compartimentul de aditiv de clătire.

NOTĂ: Dacă decideți să nu mai porniți programul ales inițial, consultați secțiunile „Schimbarea unui program” și „Anularea unui program”.

Schimbarea unui program

Urmați pașii de mai jos pentru a modifica un program în timpul funcționării.

- 1.Deschideți ușa și apăsați butonul Program (2) pentru a selecta un program nou. Dacă ușa este deschisă în timpul funcționării, timpul rămas din programul selectat va fi indicat pe afișaj (3).
- 2.După ce închideți ușa, se va continua cu noul program în locul celui vechi.

NOTĂ: Pentru a opri un program de spălare înainte de finalizare deschideți ușa doar puțin, pentru a evita scurgerile de apă.

Anularea unui program

Urmați pașii de mai jos pentru a anula un program în timpul funcționării sau în modul de așteptare.

1. Deschideți ușa mașinii; cel mai recent program selectat va apărea pe afișaj.
2. Apăsați și mențineți apăsat butonul Program (2) timp de 3 secunde. După 3 secunde, pe afișaj (3) va apărea „1”.
3. Procesul de evacuare a apei va începe după ce este închisă ușa mașinii și va continua timp de 30 de secunde. Când programul este anulat, o sonerie va suna de 5 ori.

NOTĂ: Când se deschide ușa după finalizarea programului de spălare selectat, se va auzi o sonerie și va apărea „0” pe afișaj (3).

Oprirea mașinii

Când se finalizează programul de spălare selectat, sunetul de avertizare va emite un semnal de 5 ori. Apoi vă puteți opri mașina folosind butonul Pornire/ Opre (1).

NOTĂ: Nu deschideți ușa înainte de încheierea programului.

NOTĂ: Lăsați ușa mașinii puțin deschisă la sfârșitul unui program pentru a accelera uscarea.

REȚINEȚI: Dacă ușa mașinii este deschisă sau alimentarea este întreruptă în timpul efectuării unui program, acesta va continua la închiderea ușii sau la reluarea alimentării.

NOTĂ: Dacă ușa mașinii este deschisă sau alimentarea este întreruptă în timpul procesului de uscare, programul va fi întrerupt. Mașina va fi acum gata pentru selectarea unui nou program.

Setarea sunetului de avertizare

Pentru a modifica volumul sunetului soneriei, urmați pașii de mai jos:

1. Deschideți ușa și apăsați simultan butoanele Uscare / Clătire suplimentară (5, 7) și Încărcare la jumătate (6) timp de 3 secunde.
2. Când se recunoaște setarea sunetului, soneria emite un sunet prelung iar mașina va afișa nivelul setat cel mai recent, de la „S0” la „S3”.
3. Pentru a reduce volumul sunetului apăsați butoanele Uscare/Clătire suplimentare (5, 7). Pentru a crește volumul sunetului, apăsați butonul Încărcare la jumătate (6).
4. Pentru a salva volumul selectat opriți mașina. „S0” înseamnă că toate sunetele sunt oprite. Setarea din fabrică este „S3”.

X. CURĂȚARE ȘI ÎNTREȚINERE

Curățarea periodică a mașinii prelungeste durata de exploatare a acesteia.

Aveți grijă ca setarea de dedurizare a apei (dacă este disponibilă) să fie efectuată corect și ca o cantitate corectă de detergent să fie folosită pentru a preveni acumularea de tartru. Reumpleți compartimentul de sare atunci când lumina senzorului de sare se aprinde.

Uleiul și calcarul se pot acumula în compartimentul de spălare al mașinii. În acest caz, procedați după cum urmează:

- Umpleți compartimentul pentru detergent fără a pune vase în mașină, selectați un program care utilizează o temperatură ridicată și porniți mașina. Dacă acest proces nu curăță mașina suficient, utilizați un agent de curățare special conceput pentru mașini de spălat vase.

Curățarea garniturilor ușii

- Pentru a curăța reziduurile acumulate pe garniturile ușii, ștergeți periodic garniturile cu ajutorul unei cârpe umede.

Curățarea mașinii

Curățați filtrele și brațele de pulverizare cel puțin o dată pe săptămână.

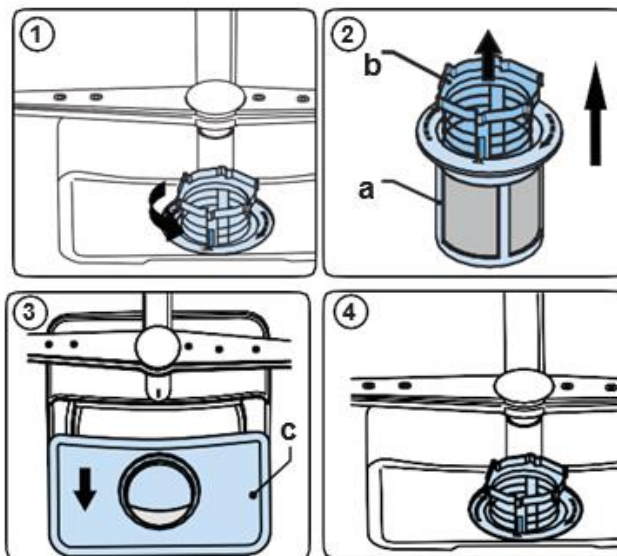
Deconectați ștecărul de la sursa de alimentare și închideți robinetul de apă înainte de a începe curățarea.

Nu utilizați substanțe abrazive. Ștergeți suprafețele cu o soluție de curățare neabrazivă și cu o cârpă umedă.

Filtre

Verificați dacă au rămas resturi de alimente pe filtrul grosier sau pe filtrul fin. Dacă observați resturi de alimente, scoateți filtrele și curățați-le bine sub jet de apă.

- Micro-filtru
- Filtru grosier
- Filtru metalic

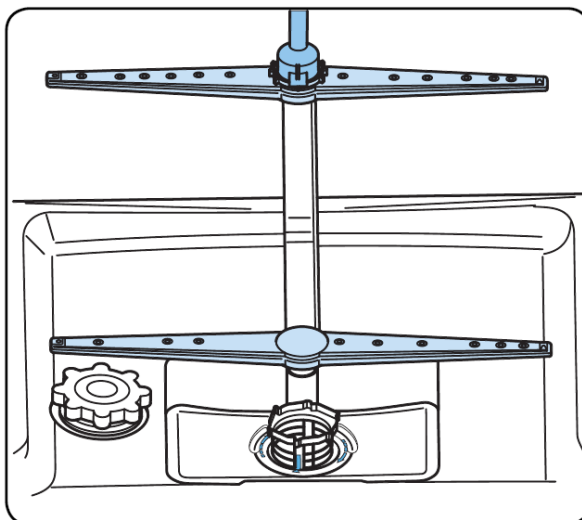


Pentru a demonta și curăța ansamblul filtrelor, rotiți-l în sens contrar acelor de ceasornic și scoateți-l prin ridicare (1). Scoateți filtrul grosier din micro-filtru (2). Apoi scoateți filtrul metalic (3). Clătiți filtrele cu multă apă și asigurați-vă că ați îndepărtat toate resturile. Reasamblați filtrele. Introduceți ansamblul filtrelor în locașul acestuia și rotiți-l în sensul acelor de ceasornic (4).

- Nu utilizați mașina de spălat vase fără ansamblul filtrelor.
- Montarea incorectă a ansamblului filtrelor va reduce eficiența spălării.
- Curățarea filtrelor este foarte importantă pentru funcționarea corespunzătoare a mașinii.

Brațele de pulverizare

Asigurați-vă că orificiile brațelor de pulverizare nu sunt înfundate și că pe brațele de pulverizare nu sunt lipite resturi de alimente. Dacă orificiile brațelor sunt înfundate, scoateți brațele și curățați-le sub jet de apă. Pentru a scoate brațul de pulverizare superior, desfaceți piulița de fixare a acestuia prin rotire în sensul acelor de ceasornic și trageți de braț în jos. Asigurați-vă că piulița de fixare este strânsă corespunzător atunci când montați la loc brațul de pulverizare superior.



Pompa de evacuare

Reziduurile mari de alimente sau obiectele străine neoprite de filtre pot bloca pompa de apă uzată. Apa de clătire se va afla atunci deasupra filtrului.

Avertizare Risc de tăiere!

La curățarea pompei de apă uzată aveți grijă să nu vă răniți cu sticlă spartă sau obiecte ascuțite.

În acest caz:

1. În primul rând, deconectați întotdeauna aparatul de la rețeaua de alimentare.
2. Scoateți coșurile.
3. Scoateți filtrele.
4. Scoateți apa folosind un burete, dacă este necesar.
5. Verificați zona și îndepărtați orice obiecte străine.
6. Instalați filtrele.
7. Reintroduceți coșurile.

XI. REMEDIEREA PROBLEMELOR

PROBLEMĂ	CAUZĂ POSIBILĂ	REMEDIERE
Programul nu pornește.	Mașina de spălat vase nu este conectată la sursa de alimentare.	Conectați mașina de spălat vase la sursa de alimentare.
	Mașina de spălat vase nu este pornită.	Porniți mașina de spălat vase prin apăsarea butonului de pornire/oprire.
	Siguranța este arsă.	Verificați siguranțele instalației electrice.
	Robinetul de apă este închis.	Deschideți robinetul de apă.
	Ușa mașinii de spălat vase este deschisă.	Închideți ușa mașinii de spălat vase.
	Furtunul de alimentare cu apă și filtrele mașinii sunt înfundate.	Verificați furtunul de alimentare cu apă și filtrele mașinii și asigurați-vă că acestea nu sunt înfundate.
Apa rămâne în interiorul mașinii.	Furtunul de evacuare a apei este înfundat sau răsucit.	Verificați furtunul de evacuare a apei și curățați-l sau dezrăsuciți-l.
	Filtrele sunt înfundate.	Curățați filtrele.
	Programul nu este încă finalizat.	Așteptați până la finalizarea programului.
Mașina se oprește în timpul spălării.	Înterupere a furnizării de energie electrică.	Verificați sursa de alimentare cu energie electrică.
	Problemă a alimentării cu apă.	Verificați robinetul de apă.
Mașina trepidează și se aud bătăi în timpul spălării.	Brațul de pulverizare lovește vasele din coșul inferior.	Rearanjați sau scoateți obiectele care blochează brațul de pulverizare.
Resturi parțiale de alimente rămân pe vase.	Vasele sunt așezate incorect în mașină, apa pulverizată nu a ajuns în locurile respective.	Nu supraîncărcați coșurile.
	Vasele se sprijină unele de celelalte.	Așezați vasele conform instrucțiunilor din secțiunea privind încărcarea coșurilor.
	Nu se utilizează detergent suficient.	Utilizați cantitatea corespunzătoare de detergent, așa cum este indicat în tabelul cu programe.
	Este selectat un program de spălare nepotrivit.	Utilizați informațiile din tabelul cu programe pentru a selecta cel mai potrivit program de spălare.
	Brațele de pulverizare sunt înfundate cu resturi de alimente.	Curățați orificiile din brațele de pulverizare cu ajutorul unor obiecte subțiri.
	Pompa de evacuare a apei sau filtrele sunt înfundate sau filtrul este montat necorespunzător.	Asigurați-vă că furtunul de evacuare și filtrele sunt montate corect.

PROBLEMĂ	CAUZĂ POSIBILĂ	REMEDIERE
Rămân pete albe pe vase.	Nu se utilizează detergent suficient.	Utilizați cantitatea corespunzătoare de detergent, așa cum este indicat în tabelul cu programe.
	Agentul de clătire și/sau de agentul de dedurizare nu sunt dozați în cantitate suficientă.	Creșteți nivelul agentului de clătire și/sau al agentului de dedurizare a apei.
	Nivelul de duritate a apei este ridicat.	Creșteți nivelul agentului de dedurizare a apei și adăugați sare.
	Capacul compartimentului pentru sare nu este închis corespunzător.	Asigurați-vă că ați închis corespunzător capacul compartimentului pentru sare.
Vasele nu se usucă.	Funcția de uscare nu este selectată.	Selectați un program care să includă funcția de uscare.
	Nivelul de dozare a agentului de clătire este prea scăzut.	Creșteți nivelul de dozare a agentului de clătire.
Se formează pete de rugină pe vase.	Vasele din inox sunt de slabă calitate.	Utilizați numai vase rezistente la spălare în mașina de spălat vase.
	Nivel ridicat de sare în apă.	Reglați nivelul durității apei cu ajutorul tabelului privind duritatea.
	Capacul compartimentului pentru sare nu este închis corespunzător.	Asigurați-vă că ați închis corespunzător capacul compartimentului pentru sare.
	Ați vărsat prea multă sare în mașina de spălat vase.	Utilizați o pâlnie atunci când umpleți compartimentul pentru sare.
	Împământare necorespunzătoare.	Apelați imediat la un electrician calificat.
Rămâne detergent în compartimentul pentru detergent.	Compartimentul a fost ud în momentul adăugării detergentului.	Asigurați-vă că, înainte de utilizare, compartimentul pentru detergent este uscat.

CODURI DE EROARE ȘI SOLUȚII

COD DEFEȚIUNE	DEFEȚIUNE POSIBILĂ	CE TREBUIE FĂCUT
FF	Defecțiune la sistemul de admisie a apei	Verificați ca robinetul de admisie a apei să fie deschis și apa să curgă.
		Demontați furtunul de admisie de la robinet și curățați filtrul furtunului.
		Dacă eroarea continuă, apălați la service.
F5	Defecțiune la sistemul de presiune	Apelați la service.
F3	Admisie continuă de apă	Închideți robinetul și apălați la service.
F2	Imposibilitatea evacuării apei	Furtunul sau filtrele de evacuare pot fi înfundate.
		Anulați programul.
		Dacă eroarea continuă apălați la service.
F8	Eroare încălzire	Apelați la service.
F1	Revărsare de preaplin	Scoateți mașina din priză și închideți robinetul.
		Apelați la service.
FE	Placă electronică defectă	Apelați la service.
F7	Supraîncălzire	Apelați la service.
F9	Eroare poziție derivator	Apelați la service.
F6	Senzor încălzire defect	Apelați la service.
HI	Defecțiune de înaltă tensiune	Apelați la service.
LO	Defecțiune de joasă tensiune	Apelați la service.

Dacă indicatorul luminos pentru programe este aprins și indicatorul start/pauză se aprinde intermitent

Ușa mașinii este deschisă; închideți ușa.

Dacă programul nu pornește

- Asigurați-vă că ștecărul este conectat la sursa de alimentare.
- Verificați siguranțele instalației electrice.
- Asigurați-vă că robinetul de apă este deschis.
- Asigurați-vă că ați închis ușa mașinii.
- Asigurați-vă că ați oprit mașina prin apăsarea butonului de pornire/oprire.
- Asigurați-vă că filtrul de admisie a apei și filtrele mașinii nu sunt înfundate.

Dacă indicatoarele luminoase nu se sting după finalizarea spălării

Asigurați-vă că butonul de pornire/oprire este în poziția corespunzătoare.

Dacă rămâne detergent în compartimentul pentru detergent

Compartimentul a fost ud în momentul adăugării detergentului.

Dacă rămâne apă în mașină după finalizarea programului

- Furtunul de evacuare a apei este înfundat sau răsucit.
- Filtrele sunt înfundate.
- Programul nu este încă finalizat.

Dacă mașina se oprește în timpul funcționării

- Întrerupere a furnizării de energie electrică.
- Problemă a alimentării cu apă.
- Programul este în standby.

Dacă mașina trepidează și se aud bătăi în timpul spălării

- Vasele sunt așezate necorespunzător.
- Brațele de pulverizare lovesc vasele.

Dacă rămân pe vase resturi parțiale de alimente

- Vasele sunt așezate incorect în mașină, iar apa pulverizată nu a ajuns în locurile respective.
- Coșul este supraîncărcat.
- Vasele se sprijină unele de celelalte.
- Nu se utilizează detergent suficient.
- Este selectat un program de spălare nepotrivit.
- Brațele de pulverizare sunt înfundate cu resturi de alimente.
- Filtrele sunt înfundate.
- Filtrele sunt montate necorespunzător.
- Pompa de evacuare a apei este înfundată.

Dacă rămân pete albe pe vase

- Nu se utilizează detergent suficient.
- Agentul de clătire nu este dozat în cantitate suficientă.
- Nu se utilizează sare de dedurizare, iar nivelul de duritate a apei este ridicat.
- Agentul de dedurizare a apei nu este dozat în cantitate suficientă.
- Capacul compartimentului pentru sare nu este închis corespunzător.

Dacă vasele nu se usucă

- Este selectat un program care nu include funcția de uscare.
- Nivelul de dozare a agentului de clătire este prea scăzut.
- Vasele au fost scoase din mașină prea devreme.

Dacă se formează pete de rugină pe vase

- Vasele din inox sunt de slabă calitate.
- Nivel ridicat de sare în apă.
- Capacul compartimentului pentru sare nu este închis corespunzător.
- Ați vărsat prea multă sare în mașina de spălat vase.
- Împământare necorespunzătoare.

Contactați un serviciu de asistență tehnică dacă problema persistă după efectuarea verificărilor de mai sus sau în cazul în care apar alte probleme decât cele descrise mai sus.

XII. INFORMAȚII PRACTICE

1. Atunci când nu utilizați mașina:
 - Deconectați ștecărul de la sursa de alimentare și închideți robinetul.
 - Lăsați ușa întredeschisă pentru a evita acumularea de mirosuri neplăcute.
2. Activați funcția de uscare pentru a îndepărta picăturile de apă.
3. Puneți vasele în mașină în mod corespunzător, pentru a obține un consum de energie redus și pentru eficientizarea spălării și uscării. Pentru informații suplimentare, consultați informațiile din tabelul cu programe.
4. Clătiți vasele murdare înainte de a le introduce în mașina de spălat vase.
5. Utilizați programul de prespălare numai atunci când este necesar.
6. Nu poziționați mașina în apropierea unui frigider, deoarece aceasta funcționează la temperaturi ridicate.
7. Dacă mașina se află într-un spațiu în care există riscul de îngheț, opriți robinetul de apă, deconectați furtunul de la robinet și evacuați complet apa din furtun și din mașină.

SERVICE ȘI ASISTENȚĂ PENTRU CLIENȚI

Utilizați numai piese de schimb originale.

Când contactați centrul nostru de service autorizat, asigurați-vă că aveți la îndemână următoarele informații: Denumirea modelului și numărul de serie.

Informațiile pot fi găsite pe plăcuța cu date tehnice. Acestea pot suferi modificări fără o notificare prealabilă.

DATE TEHNICE

Informațiile tehnice se află pe plăcuța cu date tehnice a aparatului și pe eticheta energetică.

Codul QR de pe eticheta energetică furnizată împreună cu aparatul oferă un link web către informațiile din baza de date EPREL cu privire la performanțele aparatului.

Păstrați eticheta energetică pentru consultări ulterioare, împreună cu manualul de utilizare și cu toate celelalte documente furnizate împreună cu acest aparat.

De asemenea, puteți găsi aceleași informații în baza de date EPREL, folosind link-ul <https://eprel.ec.europa.eu> și denumirea modelului o găsiți pe plăcuța cu date tehnice a aparatului.

Pentru a accesa informațiile despre produsul Dvs în portalul EPREL, puteți scana codurile de mai jos:



Vă mulțumim pentru achiziționarea acestui produs! Dacă aveți nevoie de asistență în ceea ce privește produsul dumneavoastră, vizitați site-ul nostru web utilizând linkurile de mai jos:

Manuale de utilizare: <https://www.heinner.ro>

Informații referitoare la service: <https://www.heinner.ro>



MASURI PENTRU PROTECTIA MEDIULUI

Va informam ca persoanele fizice au urmatoarele obligatii prin legislatia specifica privind protectia mediului si regimul deseurilor:

- Deseurile de echipamente electrice si electronice (DEEE), pot contine substante periculoase pentru mediu si sanatatea umana. Conform OUG 5/2015, exista obligativitatea predarii acestora, pentru tratarea corespunzatoare si valorificarea componentelor reciclabile. Societatea Network One Distribution S.R.L. este platitoare de taxa de "timbru verde" pentru fiecare Echipament Electric si Electronic (EEE) pe care il pune pe piata. Acest cost asigura tratarea ulterioara a echipamentelor uzate colectate. Din acest motiv, odata ce devine deșeu, produsul EEE poate fi predat gratuit operatorului Dvs. de salubritate, la magazine atunci cand achizitionati alt echipament similar, sistemul "unul la unu" sau la punctul de colectare organizat de Primaria Sectorului / localitatii Dvs.
- Simbolul (marcajul) aplicat produselor, care indica faptul ca deseurile DEEE, bateriile si acumulatorii - fac obiectul unei colectari separate, il reprezinta o pubea barata cu o cruce.



Aceste masuri vor ajuta la protejarea mediului

Societatea Network One Distribution S.R.L. este inregistrata in Registrul de punere pe piata a echipamentelor electrice si electronice, avand numarul de inregistrare: RO-2016-03-EEE-0201-IV. De asemenea, au fost intocmite si sunt gestionate: Registrul de Retragere EEE si Registrul de Rechemare EEE, in conformitate cu HG 322/2013. Totodata societatea este inregistrata in Registrul de punere pe piata a bateriilor, avnd numarul de inregistrare: RO-2011-03-B&A-0283.

Conformitatea cu directiva RoHS: Produsul pe care l-ați cumpărat este conform cu Directiva RoHS UE (2011/65/UE). Nu conține materialele dăunătoare și interzise specificate în Directivă.

Va multumim ca participati alaturi de noi la protejarea mediului si a sanatatii umane!



HEINNER este marcă înregistrată a companiei **Network One Distribution SRL**. Celelalte branduri și denumirile produselor sunt mărci de comerț sau mărci de comerț înregistrate ale respectivilor deținători.

Nicio parte a specificațiilor nu poate fi reprodusă sub nicio formă și prin niciun mijloc, nici utilizată pentru obținerea unor derivate precum traduceri, transformări sau adaptări, fără consimțământul prealabil al companiei NETWORK ONE DISTRIBUTION.

Copyright © 2013 Network One Distribution. Toate drepturile rezervate.

www.heinner.com, <http://www.nod.ro>



Acest produs este proiectat și realizat în conformitate cu standardele și normele Comunității Europene.

Importator: **Network One Distribution**

Str. Marcel Iancu, nr. 3-5, București, România

Tel: +40 21 211 18 56, www.heinner.com , www.nod.ro