

HEINNER

MICROWAVE OVEN
Model: HMW-20GRD



- Microwave oven
- Capacity: 20L
- Power: 700W

Thank you for choosing this product!

I. INTRODUCTION

Please read the instructions carefully and keep the manual for future information.

This manual is designed to give all necessary instructions concerning installation, use and maintenance of the unit. In order to operate the unit correctly and safely, please read this instruction manual carefully before installation and use.

II. YOUR PACKAGE CONTAINS



- **Microwave oven**
- **User's manual**
- **Certificate of warranty**

III. IMPORTANT SAFEGUARDS

The following basic precautions should always be followed when using electrical appliance:

- 1.** Read all instructions before using.
- 2.** Make sure the voltage in your living area corresponding to the one shown on the rating label of the appliance. And the wall socket is properly grounded.
- 3.** To reduce the risk of fire in the oven cavity:
 - a.** Do not overcook the food.
 - b.** Remove wire twist-ties from paper or plastic bags before placing bags in the oven.
 - c.** Do not heat oil or fat for deep drying as the temperature of oil cannot be controlled.
 - d.** After use wipe the waveguide cover with a damp cloth, followed by dry cloth to remove any food splashes and grease. Built-up grease may overheat and begin to cause smoke or catch fire.
 - e.** If materials inside the oven should smoke or ignite, keep oven door closed, turn oven off and disconnect the power supply.
 - f.** When heating food in plastic or paper containers, keep an eye on the oven due to the possibility of ignition.
- 4.** To reduce the risk of explosion and sudden boiling:
 - a.** **WARNING:** Liquids and other foods must not be heated in sealed container since they are liable to explode; Baby bottles fitted with a screw cap or teat are considered to be sealed containers.
 - b.** Use the wide-mouthed container to cook liquid, and the cooked liquid should not be removed out immediately. Several moments should be waited before removing. In order to avoid possible hazards caused by delayed eruptive boiling of liquids.
 - c.** Potatoes, sausage and chestnut should be peeled or pierced before cooking. Eggs in their shell, whole hard-boiled eggs should not be heated in microwave ovens since they may explode, even after microwave heating has ended.
 - d.** The contents of feeding bottles and baby food jars are to be stirred or shaken and the temperature is to be checked before consumption, in order to avoid burns.
- 5.** If the supply cord is damaged, it must be replaced by the manufacturer or its service agent or a qualified technician in order to avoid a shock hazard.

6. After cooking, the container is very hot. Using gloves to take out the food and avoid steam burns by directing steam away from the face and hands.
7. Slowly lift the furthest edge of dishes cover and microwave plastic wrap and carefully open popcorn and oven cooking bags away from the face.
8. To prevent the turntable from breaking:
 - a. Let the turntable cool down before cleaning.
 - b. Do not place hot foods or utensils on the cold turntable.
 - c. Do not place frozen foods or utensils on the hot turntable.
9. Make sure the utensils do not touch the interior walls during cooking.
10. Only use utensils that are suitable for use in microwave ovens.
11. Do not store food or any other things inside the oven.
12. Do not operate the oven without any liquid or food inside the oven. This would do damage the oven.
13. When the appliance is operated in the combination mode, children should only use the oven under adult supervision due to the temperatures generated.
14. Any accessories not recommended by the manufacturer may cause injuries to persons.
15. Do not use outdoors.
16. Save these instructions.
17. WARNING: If the door or door seals are damaged or the oven is malfunctioned, the oven must not be operated until it has been repaired by a competent person;
18. WARNING: It is hazardous for anyone other than a competent person to carry out any service or repair operation that involves the removal of a cover which gives protection against exposure to microwave energy;
19. If smoke is emitted, switch off or unplug the appliance and keep the door closed in order to stifle any flames;
20. Microwave heating of beverages can result in delayed eruptive boiling; therefore care must be taken when handling the container;
21. Do not use harsh abrasive cleaners or sharp metal scrapers to clean the oven door glass since they can scratch the surface, which may result in shattering of the glass.
22. The lamp of microwave oven is not intended for other purposes.
23. The appliances are not intended to be operated by means of an external timer or separate remote -control system.
24. This appliance is intended to be used in **household only**.

25. The microwave oven is intended for heating food and beverages. Drying of food or clothing and heating of warming pads, slippers, sponges, damp cloth and similar may lead to risk of injury, ignition or fire.

26. This appliance can be used by children aged from 8 years and above and persons with reduced physical, sensory or mental capabilities or lack of experience and knowledge if they have been given supervision or instruction concerning use of the appliance in a safe way and understand the hazards involved. Children shall not play with the appliance. Cleaning and user maintenance shall not be made by children unless they are older than 8 and supervised. Keep the appliance and its cord out of reach of children less than 8 years.

27. This appliance is not intended for use by persons (including children) with reduced physical, sensory or mental capabilities, or lack of experience and knowledge, unless they have been given supervision or instruction concerning use of the appliance by a person responsible for their safety.

28. Children should be supervised to ensure that they do not play with the appliance.

29. A steam cleaner is not to be used.

30. The door or the outer surface may get hot when the appliance is operating.

31. **WARNING:** Accessible parts may become hot during use. Young children should be kept away.

32. During use the appliance becomes hot. Care should be taken to avoid touching heating elements inside the oven.

33. The surfaces are liable to get hot during use.

IV. INSTALLATION

1. Take out all the packing. If there is a safe film over the oven, tear it off before Use. Check carefully for damage. If any, immediately notify dealer or send to the manufacturer's service center.
2. Microwave ovens must be placed under dry and non-corrosiveness environments, kept away from heat and humidity, such as gas burner or water tank.
3. To ensure sufficient ventilation, the distance of the back of microwave to the wall should be at least 10 cm, the side to the wall should be at least 5 cm, the free distance above the top surface at least 20 cm. the distance of the microwave to the ground should be at least 85 cm.
4. The position of the oven shall be such that it is far from the TV, Radio or antenna as picture disturbance. The distance should be more than 5m.
5. The appliance must be positioned so that the plug is accessible, and must ensure a good grounding in case leakage, ground loop can be formed to avoid electric shock.
6. The microwave oven must be operated with the door closed.
7. The microwave oven must not be placed in a cabinet. The microwave oven is intended to be used freestanding.
8. As there is manufacturing residue or oil remained on the oven cavity or heat element, it usually would smell the odor, even a slight smoke, It is normal case and would not occur after several times use, keep the door or window open to ensure good ventilation. So it is strongly recommended to place a cup of water in the turntable, setting at high power and operate for several times.

V. CLEANING

MICROWAVE OVEN CARE

CAUTION

The oven should be cleaned regularly and any food deposits removed.

WARNING

1. Remove the power cord from the wall outlet before cleaning. Don't immerse the appliance in water or other fluids when cleaning.
2. Failure to maintain the oven in a clean condition could lead to deterioration of the surface that could adversely affect the life of the appliance and possibly result in a hazardous situation
3. Never use hard detergent, gasoline, abrasive powder or metal brush to clean any part of the appliance
4. Do not remove the waveguide cover
5. When the microwave oven has been used for a long time, there may be some strange odors exist in oven, Following 3 methods can get rid of them:
 - a. Place several lemon slices in a cup, then heat with high Micro Power for 2-3 min.
 - b. Place a cup of red tea in oven, then heat with high micro power.
 - c. Put some orange peel into oven, and then heat them with high Micro Power for 1 minute.
6. WARNING: Only allow children to use the oven without supervision when adequate instructions have been given so that the child is able to use the oven in a safe way and understands the hazards of improper use.

TIPS FOR CLEANING

Details for cleaning door seals, cavity and adjacent parts:

Exterior:

Wipe the enclosure with a dampened soft cloth

Door:

Using a dampened soft cloth, wipe clean the door and window

Wipe the door seals and adjacent parts to remove any spill or spatter

Wipe the control panel with a slightly dampened soft cloth

Interior walls:

Wipe clean the cavity with a dampened soft cloth

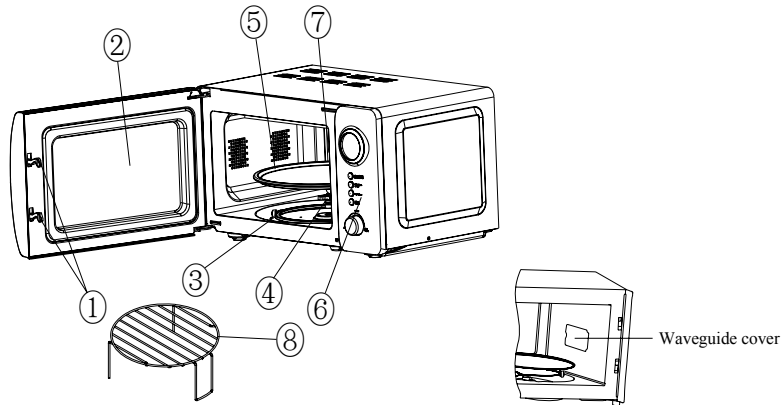
Wipe clean the waveguide cover to remove any food splashed.

Turntable/ Rotation ring/ Rotation axis:

Wash with mild soap water

Rinse with clean water and allow drying thoroughly.

VI. PRODUCT INSTRUCTION



1) Door lock

Microwave oven door must be properly closed in order for it to operate

2) Viewing window

Allow user to see the cooking status

3) Rotating axis

The glass turntable sits on the axis; the motor underneath it drives the turntable to rotate

4) Rotating ring

The glass turntable sits on its wheels; it supports the turntable and helps it to balance when rotating

5) Turntable

The food sits on the turntable, its rotation during operation helps to cook food evenly

⚠ CAUTION

- Place the rotating ring first

- Fit the turntable onto the rotating axis and make sure that it is geared in properly

6) Control panel

See below in details (the control panel is subject to change without prior notice)

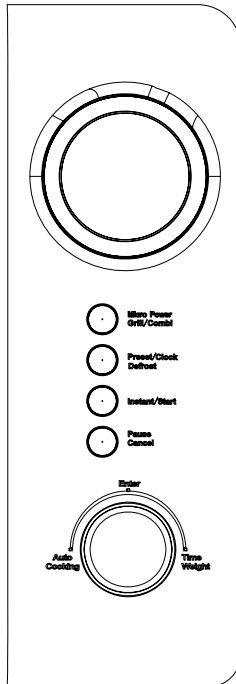
7) Waveguide cover

It is inside the microwave oven, next to the wall of control panel.

8) Grill rack

Never remove the waveguide cover.

VII. OPERATION OF CONTROL PANEL



1. BEFORE COOKING

The LED flashes 3 times when plugged in power supply. Then it flashes “:”, prompting you to input the cooking menu and time.

2. AUTO COOKING/ TIME.WEIGHT KNOB

You can increase or decrease cooking time, weight or choose the auto cooking menu during operation by turning Auto cooking /Time.Weight knob.

3. AUTO REMINDER

When your preset cooking procedure have finished, the LED display will show End and three beeps sound will be heard to prompt you to take out food. If you do not press Pause/Cancel button once or open the door, the beep will be sounded at an interval of 3 minutes.

5. INSTANT COOKING

On the standby status, press Instant/Start button, the oven will start cooking with high power for 1 minute. You can increase or decrease cooking time by turning Auto cooking/Time.Weight knob.

Note: This instant cooking function applies to one of following situations:

- Activate instant cooking function within 2 minutes when the oven door is closed.
- Activate instant cooking function within 2 minutes when the Pause/Cancel is pressed.
- Activate instant cooking function within 2 minutes when the preset cooking program finishes.

6. CLOCK SETTING

Preset /Clock.Defrost button make it available for you to input current or preset time when “:” flashes onto LED display after plugged in, or try to skip it over to continue if unnecessary.

Example: to set 12:30		
	Steps	Display
1	After power-up, the colon flashes	:
2	Hold Preset /Clock.Defrost button three seconds	0:00
3	Turn Auto Cooking/Time.Weight knob to set exact hours.	12:00
4	Press Preset /Clock.Defrost button once again.	12:00
5	Turn Auto cooking/Time.Weight knob to set exact minutes.	12:30
6	Press Preset /Clock.Defrost button once again or wait for 5 seconds, and the numbers will go steadily.	

7. MICROWAVE COOKING AND GRILL MENU

This function is for cooking and grilling food. Press this button, LED cycles to show 100P, 80P, 60, 40P, 20P, G, C.1, C.2

High power	100% microwave power. Applicable for quick and thorough cooking
Medium High power	80% microwave power. Applicable for medium express cooking
Medium power	60% microwave power. Applicable for steaming food
Medium Low power	40% microwave power. Applicable for defrosting food
Low power	20% microwave power. Applicable for keeping warm
G	Grill, the heat element will be energized during operation time. Which is applicable for rolling thin meats or pork, sausage, chicken wing as good brown color can be obtained
C.1	Combination of grill and microwave cooking. 30% of time for microwave output and 70% of time for grilling
C.2	Combination of grill and microwave cooking. 55% of time for microwave output and 45% of time for grilling

CAUTION

- a. The max time which can be set is 60 minutes.
- b. Never operate the oven empty.
- c. Never use the grill rack when microwave cooking.
- d. At the maximum microwave power, the oven will automatically lower the power after a certain time of cooking to lengthen the service life.
- e. If you turn the food during operation, press the **Instant/Start** button once and the preset cooking procedure will continue.
- f. If you intend to remove the food before the preset time, you must press **Pause/Cancel** button once to clear the preset procedure to avoid unintended operation of next time use.
- g. In the mode of grill/combi, all of the oven parts, as well as the rack and cooking containers, may become very hot. Use caution when removing any item from the oven. Use heavy potholders or oven mitts to PREVENT BURNS.

Example: To cook at P80 for 10 minutes.	
Steps	Display
After power-up, the colon flashes	:
Select the desired microwave power by pressing Micro Power/Grill.combi button consecutively	80P
Set cooking time by turning Auto cooking/Time. Weight knob	10:00
Press Instan/Start button and LED will count down to show running time.	

8. DEFROST

This function use for defrost food, Press the Preset.Clock/Defrost button and the LED display will cycle to show d.1, d.2 ,d.3.

d.1	For defrosting meat, the weight range from 0.1 to 2.0 kg.
d.2	For defrosting poultry, the weight range from 0.2 to 3.0kg.
d.3	For defrosting seafood, the weight range from 0.1 to 0.9kg.

CAUTION

- It is necessary to turn over the food during operation to obtain uniform effect.
- Usually defrosting will need longer time than that of cooking the food.
- If the food can be cut by knife, the defrosting process can be considered completed.
- Microwave penetrates around 4cm into most food
- Defrosted food should be consumed as soon as possible, it is not advised to put back to fridge and freeze again.

Example: To defrost 0.4kg poultry	
Steps	Display
After power-up, the colon flashes	:
Press Preset /Clock. Defrost button to set the food kind.	d.2
Turn Auto cooking/Time. Weight knob to set the defrost weight	0.4
Start cooking by pressing Instant/Start button	5:16
In half way during defrosting 3 beep sound will be heard two times to prompt you turn over the food. Open the door and turn over the food. Then close the door. Press Instant /Start button again to continue defrosting	

9. AUTO COOKING

The oven has default cooking menu for simple operation. When the LED flash colon, turn the knob in a anticlockwise direction and LED will cycle to show A-01, A-02 A-12. After setting auto cooking menu, pressing Enter button is available to set the cooking weight.

Choose the appropriate menu according to the food type and weight and strictly observe the directions in below table, otherwise the cooking effect will be largely influenced.

Display	Kind	Weight
A-01	Popcorn	All together there are two choices (3.0Oz and 3.5Oz)
A-02	Potato	All together there are two choices (0.45Kg and 0.65Kg)
A-03	Vegetable	All together there are five choices (0.1 ,0.2-----0.5Kg)
A-04	Meat	All together there are six choices (0.2 ,0.3-----0.7Kg)
A-05	Fish	All together there are six choices (0.2 ,0.3-----0.7Kg)
A-06	Chicken	All together there are six choices (0.2, 0.3-----0.7Kg)
A-07	Reheat	All together there are five choices (0.2, 0.4-----1.0Kg)
A-08	Beverage	All together there are two choices (250MI and 500MI)
A-09	Rice	All together there are five choices (0.1 ,0.2-----0.5Kg)
A-10	Pasta	All together there are five choices (0.1, 0.2-----0.5Kg)
A-11	Bread	All together there are five choices (0.1, 0.2-----0.5Kg)
A-12	Pizza	All together there are two choices (1 share and 2 share)

CAUTION

- a. The temperature of food before cooking would be 20-25°C. Higher or lower temperature of the food before cooking would require increase or decrease of cooking time.
- b. The temperature, weight and shape of food will largely influence the cooking effect. If any deviation has been found to the factor noted on above menu, you can adjust the cooking time for best result.

Example: Steam 0.4kg fish		
Steps		Display
1.	After power-up, the colon flashes	:
2.	Turn the knob and the oven enter cooking menu mode	
3.	Then set the cooking menu by turning the knob	A-05
4.	Press Enter button to affirm	A-05
5.	Turn Auto Cooking/Time. Weight knob to set the weight	0.4
6.	Start cooking by pressing Instant/Start button	

10. AUTOMATIC STARTING (DELAYED FUNCTION)

If you do not want the menu be started immediately, you can preset the cooking menu and time and the preset menu will be automatically started at your set time. The setting will consist of 2 steps:

- Setting the current clock;
- Setting the cooking menu and time.

CAUTION

If you want to start the set program immediately without waiting, just press Instant/Start button; if "Automatic starting" need to be cancelled, press Pause/Cancel button.

Example: Now it is 12:30 Clock, if you hope that the microwave oven will automatically start cooking with 100P microwave power for 9 minutes and 30 seconds at 14:20

	Steps	Display
1	After power-up, the colon flashes	:
1.1	Hold Preset/Clock.Defrost button three seconds	0:00
1.2	Set hours by turning Auto cooking/Time. Weight knob	12:00
1.3	Press Preset/Clock.Defrost button again to confirm hours	12:00
1.4	Set minutes by turning Auto cooking/Time. Weight knob	12:30
1.5	Press Preset/Clock.Defrost button once or waiting for 5 seconds, and the numbers will go steady.	12:30
2	Set the cooking menu and time	
2.1	Select cooking power by pressing Micro Power/Grill.combi button	100P
2.2	Turn Auto cooking/Time. Weight knob to set cooking time	9:30
2.3	Press and hold Preset/Clock.Defrost button for 3 seconds to return to current Clock.	
3	Set the time you expect to start. Repeat the steps of 1.2, 1.3, 1.4	
4	Press Preset/Clock.Defrost button to confirm the delayed menu. Now the program has been activated. And the menu will be started at 14:20.	
5	You may check the preset starting time by pressing Preset/Clock.Defrost button.	

11. MULTI-SEQUENCE COOKING

To obtain best cooking result, some recipes call for different cook mode and time. You may program your personalized menu as follow:

Example: You want cook food with 100P microwave for 3 minutes then grill for 9 minutes. This is 2 sequence setting.		
	Steps	Display
1	100P microwave for 3min	
1.1	Press Micro Power/Grill.combi button to select power level.	100P
1.2	Turn Auto cooking/Time.Weight knob to set cooking time.	3:00
2	Grill for 9min	
2.1	Press Micro Power/Grill.combi button to set desired grill menu	G
2.2	Turn Auto cooking/Time. Weight knob to set cooking time.	9:00
3	Start cooking by pressing Instant/Start button	

CAUTION

- When microwave power cooking is finished, microwave oven will begin grill operation automatically.
- Max 4 sequences can be set per time, repeat the steps.

12. CHILD LOCK FUNCTION

Use this feature to lock the control panel when you are cleaning or so that children can not use the oven unsupervised. . All the buttons are rendered inoperable in this mode.

Set child lock: Hold Pause/Cancel button about 3 seconds.

Cancel child lock: Hold Pause/Cancel button about 3 seconds

VIII. OPERATION

- 1) Connect the cord
 - Before connecting the cord, make sure the timer is set to "0" position
 - Do not block the ventilation

- 2) Place the food on the glass turntable and close the door
 - Food must be contained in a utensil

- 3) Select the desired power level

- 4) Set the timer

If desired time is less than 10 minutes, turn the timer knob to over 10 minutes position and then turn back to the desired time setting.

- 5) Once the desired time is set, the cooking begins. If pausing in between is needed, just open the door at any time, and close it to resume operation

- 6) When it times out and cooking ends, the microwave oven produces a bell ring, the inside lamp will also be automatically turned off

If food is removed before time out, make sure to set back the timer to "0" position, this avoids the microwave oven from operating in empty load.

IX. USTENSILS GUIDELINE

It is strongly recommended to use the containers which are suitable and safe for microwave cooking. Generally speaking, the containers which are made of heat-resistant ceramic, glass or plastic are suitable for microwave cooking. Never use the metal containers for microwave cooking and combination cooking as spark is likely to occur. You can take the reference of below table.

Material of container	Microwave	Notes
Heat-resistant ceramic	Yes	Never use the ceramics which are decorated with metal rim or glazed
Heat-resistant plastic	Yes	Can not be used for long time microwave cooking
Heat-resistant glass	Yes	
Plastic film	Yes	It should not be used when cooking meat or chops as the over-temperature may do damage to the film
Grill rack	No	
Metal container	No	It should not be used in microwave oven .Microwave can not penetrate through metal.
lacquer	No	Poor heat-resistant. Can not be used for High-temperature cooking
Bamboo wood and paper	No	Poor heat-resistant. Can not be used for High-temperature cooking

X. COOKING TIPS

The following factors may affect the cooking result:

Food arrangement

Place thicker areas towards outside of dish, the thinner part towards the centre and spread it evenly. Do not overlap if possible.

Cooking time length

Start cooking with a short time setting, evaluate it after it times out and extend it according to the actual need. Over cooking may result in smoke and burns.

Cooking food evenly

Food such as chicken, hamburger or steak should be turned once during cooking. Depending on the type of food, if applicable, stir it from outside to centre of dish once or twice during cooking

Allow standing time

After cooking times out, leave the food in the oven for an adequate length of time, this allows it to complete its cooking cycle and cooling it down in a gradual manner

Whether the food is done

Color and hardness of food help to determine if it is done, these include:

- Steam coming out from all parts of food, not just the edge
- Joints of poultry can be moved easily
- Pork or poultry shows no signs of blood
- Fish is opaque and can be sliced easily with a fork

Browning dish

When using a browning dish or self-heating container, always place a heat-resistant insulator such as a porcelain plate under it to prevent damage to the turntable and rotating ring.

Microwave safe plastic wrap

When cooking food with high fat content, do not allow the plastic wrap come into contact with food as it may melt

Microwave safe plastic cookware

Some microwave safe plastic cookware might not be suitable for cooking foods with high fat and sugar content. Also, the preheating time specified in the dish instruction manual must not be exceeded.

XI. MAINTENANCE

SERVICING

Please check the following before calling for services.

1. Place one cup of water (approx.150ml) in a glass measure in the oven and close the door securely. Oven lamp should go off if the door is closed properly. Let the oven work for 1 min.

2. Does the oven lamp light?

3. Does the cooling fan work?

(Put your hand over the rear ventilation openings.)

4. Does the turntable rotate?

(The turntable can rotate clockwise or counter clockwise. This is quite normal.)

5. Is the water inside the oven hot?

If "NO" is the answer to any of the above questions, please check your wall socket and the fuse in your meter box.

If both the wall socket and the fuse are functioning properly, CONTACT YOUR NEAREST SERVICE CENTER APPROVED.

SERVICING SAFEGUARDS

Caution: MICROWAVE RADIATION

1. The high voltage capacitor remains charge after disconnection; short the negative terminal of H. V capacitor to the oven chassis (use a screwdriver) to discharge before touching.

2. During servicing below listed parts are liable to be removed and give access to potentials above250V to earth.

- Magnetron
- High voltage transformer
- High voltage capacitor
- High voltage diode
- High voltage fuse

3. The following conditions may cause undue microwave exposure during servicing.

Improper fitting of magnetron;

Improper matching of door interlock, door hinge and door;

Improper fitting of switch support;

Door, door seal or enclosure has been damaged.

Correct Disposal of this product

This marking indicates that this product should not be disposed with other household wastes throughout the EU. To prevent possible harm to the environment or human health from uncontrolled waste disposal, recycle it responsibly to promote the sustainable reuse of material resources. To return your used device, please use the return and collection systems or contact the retailer where the product was purchased. They can take this

XII. TECHNICAL DETAILS

Power	700W
Voltage	230V~ 50Hz
Capacity	20 L



Environment friendly disposal

You can help protect the environment!

Please remember to respect the local regulations: hand in the non-working electrical equipment's to an appropriate waste disposal center.



HEINNER is a registered trademark of **Network One Distribution SRL**. Other brands and product names are trademarks or registered trademarks of their respective holders.

No part of the specifications may be reproduced in any form or by any means or used to make any derivative such as translation, transformation, or adaptation without permission from NETWORK ONE DISTRIBUTION.

Copyright © 2013 Network One Distribution. All rights reserved.

www.heinner.com, <http://www.nod.ro>

<http://www.heinner.com>, <http://www.nod.ro>



This product is in conformity with norms and standards of European Community.

Importer: **Network One Distribution**

Marcel Iancu, 3-5, Bucharest, Romania

Tel: +40 21 211 18 56, www.heinner.com, www.nod.ro

HEINNER

CUPTOR CU MICROUND

Model: HMW-20GRD



- Cuptor cu microunde
- Capacitate: 20 L
- Putere: 700W

Vă mulțumim pentru alegerea acestui produs!

I. INTRODUCERE

Vă rugăm să citiți instrucțiunile cu atenție și să păstrați manualul pentru consultări ulterioare.

Acest manual are scopul de a vă oferi toate instrucțiunile necesare cu privire la instalarea, utilizarea și întreținerea aparatului. Pentru utilizarea corectă și în siguranță a aparatului, vă rugăm să citiți cu atenție acest manual de instrucțiuni înainte de instalare și utilizare.

II. CONȚINUTUL PACHETULUI DUMNEAVOASTRĂ



- **Cuptor cu microunde**
- **Manual de utilizare**
- **Certificat de garanție**

III. MĂSURI DE PRECAUȚIE IMPORTANTE

Următoarele măsuri de precauție de bază trebuie întotdeauna respectate atunci când utilizați aparate electrice:

1. Citiți toate instrucțiunile înainte de utilizare.
2. Asigurați-vă că tensiunea sursei de alimentare din locuința dumneavoastră corespunde celei specificate pe eticheta cu date tehnice a aparatului. Asigurați-vă că priza de perete este prevăzută cu împământare.
3. Pentru reducerea riscului de aprindere în interiorul cuptorului:
 - a. Nu depășiți timpul necesar de preparare a alimentelor.
 - b. Înainte de introducerea pungilor din hârtie sau plastic în cuptor, înlăturați benzile cu inserții metalice cu care acestea închise.
 - c. Nu încălziți în cuptorul cu microunde ulei sau grăsime în vederea prăjirii, deoarece temperatura acestora nu poate fi controlată.
 - d. După utilizarea cuptorului, ștergeți capacul ghidului de undă cu o cârpă moale, apoi cu una uscată, pentru a înlătura stropii de grăsime sau de alimente. Depunerea unui strat gros de grăsime se poate supraîncălzi, poate duce la emiterea de fum și poate lua foc.
 - e. În cazul în care materialele din interiorul cuptorului emit fum sau se aprind, țineți închisă ușa cuptorului, opriți cuptorul și deconectați-l de la sursa de alimentare.
 - f. Atunci când încălziți alimente în recipiente din plastic sau hârtie, există riscul de aprindere a acestora. Din acest motiv, procesul de încălzire trebuie supravegheat permanent.
4. Pentru a reduce riscul de producere a unei explozii sau de vărsare bruscă a alimentelor în interior:
 - a. **AVERTISMENT:** Lichidele și alte alimente nu trebuie încălzite în recipiente etanșe, deoarece acestea pot exploda. Biberonele prevăzute cu capac filetat sau cu tetină sunt considerate recipiente etanșe.
 - b. Pentru încălzirea lichidelor, utilizați un vas cu gura largă. Vasul cu lichid nu trebuie scos din cuptor imediat după finalizarea procesului de încălzire. Așteptați câteva momente înainte de a-l scoate, pentru a evita riscul de vărsare bruscă a lichidului fierbinte.
 - c. Descojiți sau înțepați cartofii, cârnații și castanele înainte de introducerea acestora în cuptor. Nu încălziți în cuptor ouă cu coajă sau ouă fierte, deoarece acestea pot exploda chiar și după finalizarea procesului de încălzire.
 - d. Pentru a evita arsurile, agitați biberonele și borcanele cu alimente pentru copii sau amestecați conținutul acestora și verificați temperatura alimentelor înainte de a hrăni copiii.
5. Pentru evitarea pericolului de electrocutare, în cazul în care cablul de alimentare este deteriorat, acesta trebuie înlocuit de către producător, de agentul său de service sau de către un tehnician calificat.

6. După încălzirea alimentelor, recipientele pot fi foarte fierbinți. Utilizați mănuși pentru a scoate alimentele și feriți-vă fața și mâinile pentru a evita arsurile provocate de aburi.
7. Ridicați încet de marginea opusă a capacului vasului sau recipientului din plastic și deschideți cu grijă pungile cu popcorn, ferindu-vă fața.
8. Pentru a preveni spargerea platoului rotativ:
 - a. Lăsați platoul rotativ să se răcească înainte de curățare.
 - b. Nu așezați alimente sau vase fierbinți pe platoul rece.
 - c. Nu așezați alimente sau vase înghețate pe platoul cald.
9. Asigurați-vă că recipientele cu alimente nu ating pereții interiori ai cuptorului în timpul preparării.
10. Utilizați numai recipiente care sunt potrivite pentru utilizare în cuptorul cu microunde.
11. Nu depozitați alimente sau alte obiecte în interiorul cuptorului.
12. Nu porniți cuptorul cu microunde dacă în interiorul acestuia nu se află niciun recipient cu alimente sau lichide. Aceasta poate duce la defectarea cuptorului.
13. Atunci când aparatul este utilizat în modul de preparare combinată, copiii trebuie să utilizeze cuptorul numai sub supravegherea unui adult, deoarece acesta generează temperaturi foarte ridicate.
14. Utilizarea accesoriilor nerecomandate de către producătorul aparatului poate provoca vătămări.
15. Nu utilizați aparatul în aer liber.
16. Păstrați aceste instrucțiuni.
17. AVERTISMENT: Dacă ușa sau garnitura ușii este deteriorată sau cuptorul funcționează necorespunzător, opriți utilizarea aparatului până la repararea acestuia de către o persoană calificată;
18. AVERTISMENT: Efectuarea operațiilor de întreținere sau a reparațiilor care implică îndepărtarea carcaselor care oferă protecție împotriva expunerii la microunde este periculoasă pentru persoanele necalificate;
19. În cazul în care aparatul emite fum, deconectați-l de la sursa de alimentare și țineți ușa închisă pentru ca flăcările să se stingă;
20. Încălzirea cu microunde a băuturilor poate duce la vărsarea bruscă lichidelor din recipiente; prin urmare, manevrați recipientele cu prudență;
21. Nu utilizați agenți de curățare abrazivi sau bureți metalici pentru curățarea geamului ușii cuptorului, deoarece acesta se poate zgâria sau se poate sparge.
22. Becul cuptorului cu microunde nu este destinat utilizării în alte scopuri decât cel pentru care a fost conceput.
23. Aparatele nu sunt destinate utilizării prin intermediul unui temporizator extern sau printr-un sistem de comandă de la distanță.
24. Acest aparat este destinat **numai uzului casnic**.

25. Cuptorul cu microunde este destinat încălzirii alimentelor și băuturilor. Uscarea alimentelor sau a articolelor de îmbrăcăminte, încălzirea pernelor, papucilor, bureților cârpelor umede sau a altor obiecte similare pot duce la risc de rănire sau producere a incendiilor.

26. Aparatul poate fi utilizat de către copii cu vârste începând de la 8 ani și de către persoane cu capacități fizice, senzoriale sau mentale reduse, cu lipsă de experiență sau cunoștințe, numai dacă acestea sunt supravegheate sau instruite în ceea ce privește utilizarea în siguranță a aparatului și dacă înțeleg pericolele pe care le implică utilizarea. Copiii nu au voie să se joace cu aparatul. Curățarea și întreținerea nu pot fi efectuate de către copii, cu excepția cazului în care aceștia sunt în vârstă de cel puțin 8 ani și sunt supravegheați. Nu lăsați aparatul și cablul de alimentare la îndemâna copiilor cu vârste mai mici de 8 ani.

27. Aparatul nu este destinat utilizării de către persoane (inclusiv copii) care au capacități fizice, senzoriale sau mentale reduse, sau cărora le lipsesc experiența și cunoștințele necesare, decât dacă sunt supravegheate sau au fost instruite cu privire la utilizarea aparatului de către o persoană care răspunde de siguranța acestora.

28. Copiii trebuie supravegheați, astfel încât aceștia să nu se joace cu aparatul.

29. Nu utilizați aparate de curățare cu abur.

30. Ușa și suprafața exterioară pot deveni foarte fierbinți atunci când aparatul este în funcțiune.

31. AVERTISMENT: Componentele accesibile se pot încinge în timpul utilizării. Copiii cu vârste mici trebuie ținuți la distanță de aparat.

32. În timpul utilizării, aparatul devine fierbinte. Evitați atingerea elementelor de încălzire din interiorul cuptorului.

33. În timpul utilizării, suprafețele aparatului pot deveni fierbinți.

IV. INSTALARE

1. Îndepărtați toate ambalajele. Dacă aparatul este învelit într-o folie de protecție, îndepărtați folia înainte de utilizare. Verificați cu atenție dacă există deteriorări. Dacă aparatul prezintă deteriorări, contactați distribuitorul sau adresați-vă centrului de reparații al producătorului.
2. Cuptoarele cu microunde trebuie amplasate în medii uscate și necorosive, departe de surse de căldură și umiditate, cum ar fi arzătoarele sau rezervoarele de apă.
3. Pentru asigurarea unei ventilații corespunzătoare, distanța dintre partea din spate a aparatului și perete trebuie să fie de cel puțin 10 cm, distanța dintre părțile laterale și perete trebuie să fie de cel puțin 5 cm, iar spațiul de deasupra aparatului trebuie să aibă o înălțime de cel puțin 20 de cm. Aparatul trebuie așezat la o înălțime de cel puțin 85 de centimetri de podea.
4. Cuptorul trebuie amplasat departe de televizoare, aparate radio sau antene, deoarece acesta poate produce interferențe. Distanța trebuie să fie de cel puțin 5 m.
5. Aparatul trebuie poziționat astfel încât ștecărul să fie accesibil, iar priza de curent trebuie să fie prevăzută cu împământare.
6. Cuptorul cu microunde trebuie să funcționeze cu ușa închisă.
7. Cuptorul cu microunde nu trebuie așezat într-un dulap. Cuptorul cu microunde este destinat utilizării ca aparat de sine stătător.
8. Date fiind urmele de ulei industrial rămase pe pereții interiori ai cuptorului sau pe elementul de încălzire, este posibil ca în timpul primei utilizări să se simtă un miros specific sau chiar să iasă fum. Acest fenomen este normal și va dispărea după mai multe utilizări. Pentru a asigura o aerisire corespunzătoare, deschideți fereastra sau ușa. Astfel, înainte de prima utilizare, se recomandă să puneți o cană cu apă pe platoul rotativ, să reglați aparatul la o putere ridicată și să îl puneți în funcțiune de câteva ori.

V. CURĂȚARE

ÎNGRIJIREA CUPTORULUI CU MICROUND

ATENȚIE!

Cuptorul trebuie curățat cu regularitate, iar depunerile de alimente trebuie înlăturate.

AVERTISMENT!

1. Înainte de curățare, deconectați ștecărul de la sursa de alimentare. În timpul curățării, nu introduceți aparatul în apă sau în alte lichide.
2. În cazul în care cuptorul nu este menținut curat, suprafețele acestuia se pot deteriora, durata de utilizare a produsului poate fi diminuată, putând apărea chiar situații periculoase.
3. Nu utilizați pentru curățarea aparatului detergenți foarte puternici, benzină, pulberi abrazive sau bureți metalici.
4. Nu scoateți capacul ghidului de undă.
5. După o utilizare îndelungată a cuptorului cu microunde, din interiorul acestuia pot fi emanate mirosuri neplăcute. Pentru înlăturarea acestor mirosuri, aveți la dispoziție următoarele 3 metode:
 - a. Puneți câteva felii de lămâie într-o ceașcă, apoi puneți aparatul în funcțiune la putere ridicată timp de 2 - 3 minute.
 - b. Puneți în cuptor o ceașcă de ceai roșu, apoi încălziți ceaiul punând aparatul în funcțiune la putere ridicată.
 - c. Puneți în cuptor câteva coji de portocală, apoi puneți aparatul în funcțiune la putere ridicată timp de 1 minut.
6. AVERTISMENT: Nu permiteți copiilor să utilizeze cuptorul nesupravegheați decât în cazul în care aceștia au fost instruiți corespunzător în ceea ce privește utilizarea în siguranță a aparatului și înțeleg pericolele pe care le implică utilizarea incorectă.

SFATURI PENTRU CURĂȚARE

Detalii privind curățarea garniturii ușii, a interiorului și a zonelor adiacente:

Exteriorul:

Ștergeți exteriorul aparatului cu o cârpă și moale și umedă.

Ușa:

Ștergeți ușa și geamul cuptorului cu o cârpă și moale și umedă.

Ștergeți garnitura și zonele adiacente, îndepărtând petele și stropii

Ștergeți panoul de comandă cu o cârpă și moale și puțin umezită.

Pereții interiori:

Ștergeți interiorul aparatului cu o cârpă și moale și umedă.

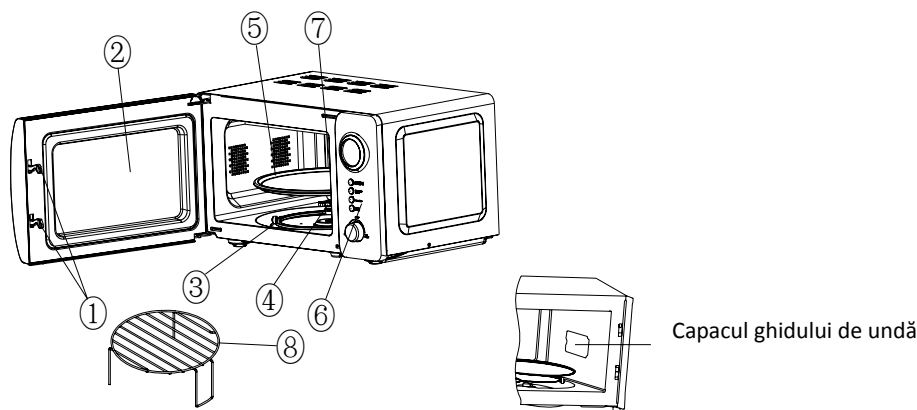
Ștergeți capacul ghidului de undă pentru a îndepărta stropii de pe acesta.

Platoul rotativ/Inelul rotativ/Axul rotativ:

Spălați-le cu apă și detergent neutru

Clătiți-le cu apă curată și ștergeți-le bine.

VI. DESCRIEREA PRODUSULUI



1) Sistem de blocare a ușii

Ușa cuptorului cu microunde trebuie să fie închisă corespunzător pentru ca acesta să funcționeze

2) Fereastră cuptor;

Aceasta permite utilizatorului să urmărească procesul de preparare

3) Ax rotativ

Axul rotește platoul sticlă cu ajutorul motorului situat sub acesta

4) Inel rotativ

Platoul rotativ se sprijină pe roțile inelului rotativ; acesta susține platoul rotativ și îl echilibrează

5) Platou rotativ

Recipientele cu alimente sunt așezate pe platoul rotativ; mișcarea de rotație ajută la prepararea uniformă a alimentelor

ATENȚIE!

- Așezați mai întâi inelul rotativ

- Potriviiți platoul rotativ pe axul rotativ și asigurați-vă că acesta este poziționat corespunzător

6) Panoul de comandă

Consultați detaliile de mai jos (configurația panoului de control poate fi modificată fără o notificare prealabilă)

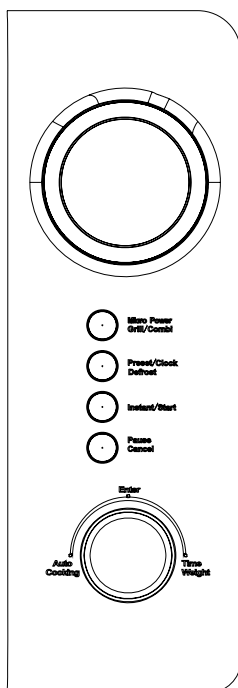
7) Capacul ghidului de undă

Acesta este situat în interiorul cuptorului cu microunde, lângă peretele panoului de comandă

8) Grătar pentru grill

Nu demontați niciodată capacul ghidului de undă.

VII. UTILIZAREA PANOULUI DE COMANDĂ



1. ÎNAINTE DE PREPARARE

Ecranul se aprinde intermitent de 3 ori în momentul conectării aparatului la sursa de alimentare. Apoi ecranul indică intermitent simbolul „:”, solicitându-vă introducerea programului și orei.

2. BUTONUL ROTATIV AUTO COOKING/ TIME.WEIGHT

Puteți mări sau reduce durata de preparare și greutatea sau puteți alege programul de preparare automată în timpul funcționării, rotind butonul Auto cooking /Time.Weight.

3. MEMENTO AUTOMAT

La încheierea procesului de preparare prestabilit, afișajul indică mesajul End și sunt emise trei semnale sonore care vă anunță că trebuie să scoateți mâncarea din cuptor. Dacă nu apăsați butonul Pause/Cancel o dată sau dacă nu deschideți ușa cuptorului, semnalul sonor va fi emis la intervale de trei minute.

5. PREPARARE INSTANT

Atunci când cuptorul este în standby, apăsați butonul Instant/Start, iar cuptorul va începe prepararea la putere ridicată timp de 1 minut. Puteți mări sau reduce durata de preparare prin rotirea butonului Auto cooking/Time.Weight.

Notă: Funcția de preparare instant se aplică în următoarele situații:

- Activarea funcției de preparare instant într-un interval de 2 minute atunci când ușa cuptorului este închisă.
- Activarea funcției de preparare instant într-un interval de 2 minute la apăsarea butonului Pause/Cancel.
- Activarea funcției de preparare instant într-un interval de 2 minute la finalizarea programului de preparare prestabilit.

6. SETAREA OREI

Butonul Preset/Clock/Defrost vă permite să introduceți ora curentă sau durata de preparare atunci când simbolul „:” este afișat intermitent pe ecran după conectarea aparatului la sursa de alimentare. Acest pas poate fi omis în cazul în care îl considerați inutil.

Exemplu: pentru setarea orei 12:30		
	Pași	Afișaj
1	După conectarea la sursa de alimentare, simbolul este afișat intermitent	:
2	Apăsați și mențineți apăsat butonul Preset/Clock.Defrost timp de trei secunde	00:00
3	Rotiți butonul Auto Cooking/Time.Weight pentru a seta ora.	12:00
4	Apăsați din nou butonul Preset /Clock.Defrost .	12:00
5	Rotiți butonul Auto cooking/Time.Weight pentru a seta minutele.	12:30
6	Apăsați din nou butonul Preset /Clock.Defrost sau așteptați timp de 5 secunde, iar ora va fi afișată constant.	

7. PROGRAMUL PENTRU PREPARARE CU MICROUNDĂ ȘI GRILL

Această funcție permite prepararea și frigerea pe grătar a alimentelor. Apăsați acest buton, iar ecranul va afișa pe rând 100P, 80P, 60, 40P, 20P, G, C.1, C.2.

Putere ridicată	100% putere microunde. Pentru preparare rapidă și în profunzime
Putere medie-ridică	80% putere microunde. Pentru preparare medie
Putere medie	60% putere microunde. Pentru gătitul la abur a alimentelor
Putere medie-săzută	40% putere microunde. Pentru decongelarea alimentelor
Putere redusă	20% putere microunde. Pentru menținerea alimentelor la cald
G	Grill. Elementul de încălzire va funcționa în timpul preparării. Pentru prepararea la grill a fâșiilor subțiri din carne de porc, cârnaților și aripilor de pui, acestea putând fi bine rumenite
C.1	Preparare combinată, cu grill și microunde 30% din durată - preparare cu microunde, 70% din durată - preparare cu grill
C.2	Preparare combinată, cu grill și microunde 55% din durată - preparare cu microunde, 45% din durată - preparare cu grill

ATENȚIE!

- a. Durata maximă de preparare este de 60 de minute.
- b. Nu utilizați cuptorul atunci când este gol.
- c. NU utilizați grătarul pentru grill în timpul procesării cu microunde.
- d. Atunci când utilizați microundele la putere maximă, cuptorul va reduce automat puterea după un anumit timp, pentru a prelungi durata de utilizare a aparatului.
- e. Dacă doriți să întoarceți alimentele în timpul funcționării, apăsați o dată butonul **Instant/Start** iar procesul de preparare prestabilit va continua.
- f. Dacă doriți să scoateți alimentele din cuptor înainte de termenul prestabilit, trebuie să apăsați butonul **Pause/Cancel** o dată pentru a anula procedura prestabilită, evitând astfel funcționarea accidentală cu ocazia utilizării ulterioare.
- g. În modul de preparare grill/combi, toate componentele cuptorului (inclusiv grătarul pentru grill și recipientele) pot deveni foarte fierbinți. Se recomandă precauție atunci când scoateți obiectele din cuptor. Utilizați mănuși de bucătărie sau suporturi pentru oale pentru a preveni arsurile.

Exemplu: Pentru preparare la P80 timp de 10 minute.	
Pași	Afișaj
După conectarea la sursa de alimentare, simbolul este afișat intermitent	:
Selectați puterea de microunde dorită, apăsând succesiv butonul Micro Power/Grill.combi	80P
Stabiliți durata de preparare, rotind butonul Auto cooking/Time.Weight	10:00
Apăsați butonul Instant/Start , iar ecranul va începe numărătoarea inversă pentru a indica durata de funcționare.	

8. DECONGELARE

Această funcție permite decongelarea alimentelor. Apăsați butonul **Preset.Clock/Defrost**, iar ecranul va afișa pe rând d.1, d.2 ,d.3.

d.1	Pentru decongelarea cărnii de porc sau vită cu greutatea cuprinsă între 0,1 și 2,0 kg.
d.2	Pentru decongelarea cărnii de pasăre cu greutatea cuprinsă între 0,2 și 3,0 kg.
d.3	Pentru decongelarea fructelor de mare cu greutatea cuprinsă între 0,1 și 0,9 kg.

ATENȚIE!

- Pentru o decongelare uniformă, este necesară întoarcerea alimentelor în timpul funcționării aparatului.
- De obicei, decongelarea alimentelor este un proces care durează mai mult decât prepararea alimentelor.
- În cazul în care alimentele pot fi tăiate cu cuțitul, procesul de dezghețare poate fi considerat finalizat.
- Microundele pătrund aproximativ 4 cm în majoritatea produselor alimentare.
- Produse alimentare decongelate trebuie să fie consumate cât mai curând posibil. Nu se recomandă reintroducerea acestora în frigider și recongelarea.

Exemplu: Pentru a decongela 0,4 kg de carne de pasăre	
Pași	Afișaj
După conectarea la sursa de alimentare, simbolul este afișat intermitent	:
Apăsați Preset /Clock. Defrost pentru a seta tipul de aliment.	d.2
Rotiți butonul Auto cooking/Time. Weight pentru a seta greutatea produsului care urmează a fi decongelat	0,4
Porniți prepararea prin apăsarea butonului Instant/Start	05:16
După ce jumătate din timpul necesar decongelării expiră, vor fi emise de două ori 3 semnale sonore care vă avertizează cu privire la faptul că trebuie să întoarceți alimentele. Deschideți ușa și întoarceți alimentele, apoi închideți ușa. Apăsați din nou butonul Instant /Start pentru continuarea decongelării	

9. PREPARARE AUTOMATĂ

Pentru facilitarea utilizării, cuptorul dispune de programe implicite pentru preparare automată. Atunci când ecranul afișează simbolul „:”, rotiți butonul în sens antiorar, iar ecranul va fișa pe rând A-01, A-02 A-12. După setarea programului de preparare automată, puteți apăsa butonul „Enter” pentru a seta greutatea.

Selectați programul corespunzător în funcție de tipul și greutatea alimentelor și urmați cu strictețe indicațiile din tabelul de mai jos. În caz contrar, efectul preparării va fi afectat semnificativ.

Afișaj	Tip	Greutate
A-01	Popcorn	Sunt disponibile două opțiuni (85 g și 100 g)
A-02	Cartofi	Sunt disponibile două opțiuni (0,45 Kg și 0,65 Kg)
A-03	Legume	Sunt disponibile cinci opțiuni (0,1 , 0,2-----0,5 Kg)
A-04	Carne de porc sau vită	Sunt disponibile șase opțiuni (0,2 , 0,3-----0,7 Kg)
A-05	Pește	Sunt disponibile șase opțiuni (0,2 , 0,3-----0,7 Kg)
A-06	Carne de pui	Sunt disponibile șase opțiuni (0,2, 0,3-----0,7 Kg)
A-07	Reîncălzire	Sunt disponibile cinci opțiuni (0,2, 0,4-----1,0 Kg)
A-08	Băuturi	Sunt disponibile două opțiuni (250 ml și 500 ml)
A-09	Orez	Sunt disponibile cinci opțiuni (0,1 , 0,2-----0,5 Kg)
A-10	Paste	Sunt disponibile cinci opțiuni (0,1, 0,2-----0,5 Kg)
A-11	Pâine	Sunt disponibile cinci opțiuni (0,1, 0,2-----0,5 Kg)
A-12	Pizza	Sunt disponibile două opțiuni (1 felie și 2 felii)

ATENȚIE!

- a. Temperatura alimentelor înainte de preparare trebuie să fie de 20-25 °C. O temperatură mai scăzută sau mai ridicată a produsului înainte de preparare necesită creșterea sau reducerea timpului de preparare.
- b. Temperatura, greutatea și forma alimentelor influențează în semnificativ efectul preparării. În cazul în care există abateri de la condițiile de mai sus, puteți stabili timpul de gătire corespunzător fiecărei situații în parte.

Exemplu: Pentru a găti la abur 0,4 kg de pește		
Pași		Afișaj
1.	După conectarea la sursa de alimentare, simbolul este afișat intermitent	:
2.	Rotiți butonul pentru ca aparatul să intre în modul de programare a preparării	
3.	Setați programul de preparare prin rotirea butonului	A-05
4.	Apăsați butonul Enter pentru a confirma	A-05
5.	Rotiți butonul Auto Cooking/ Time. Weight pentru a seta greutatea	0,4
6.	Porniți prepararea prin apăsarea butonului Instant/Start	

10. PORNIRE AUTOMATĂ (FUNCȚIA DE TEMPORIZARE)

Dacă doriți ca programul să nu pornească imediat, puteți preselecția programul de preparare și ora de pornire, iar programul preselectat va fi pornit automat la ora stabilită. Setarea va consta din 2 pași:

- Setarea orei curente;
- Setarea programului de preparare și a orei de pornire.

ATENȚIE!

În cazul în care doriți ca programul stabilit să fie pornit imediat, apăsați butonul Instant/Start; dacă doriți să anulați funcția de pornire automată, apăsați butonul Pause/Cancel.

Exemplu: Presupunând că ora curentă este 12:30, dacă doriți ca aparatul să pornească automat prepararea la o putere 100p a microundelor timp de 9 minute și 30 de secunde la ora 14:20, urmați pașii de mai jos:

	Pași	Afișaj
1	După conectarea la sursa de alimentare, simbolul este afișat intermitent	:
1.1	Apăsați și mențineți apăsat butonul Preset/Clock.Defrost timp de trei secunde	00:00
1.2	Setați ora prin rotirea butonului Auto cooking/Time.Weight	12:00
1.3	Apăsați din nou butonul Preset/Clock.Defrost pentru a confirma ora	12:00
1.4	Setați minutele prin rotirea butonului Auto cooking/Time.Weight	12:30
1.5	Apăsați din nou butonul Preset/Clock.Defrost sau așteptați timp de 5 secunde, iar ora va fi afișată constant.	12:30
2	Setați programul de preparare și ora de pornire	
2.1	Selectați puterea prin apăsarea butonului Micro Power/Grill.combi	100P
2.2	Rotiți butonul Auto cooking/Time. Weight pentru a seta durata preparării	09:30
2.3	Apăsați și mențineți apăsat butonul Preset/Clock.Defrost timp de 3 secunde pentru revenire la afișarea orei curente.	
3	Setați ora dorită pentru pornire. Repetați pașii de la punctele 1.2, 1.3, 1.4	
4	Apăsați butonul Preset/Clock.Defrost pentru confirmarea programului temporizat. Programul a fost activat și va începe la ora 14:20.	
5	Pentru verificarea orei de pornire prestabilite apăsați butonul Preset/Clock.Defrost .	

11. PREPARAREA ÎN ETAPE CONSECUTIVE

Pentru obținerea celor mai bune rezultate, unele rețete necesită diferite programe și durate de preparare. Puteți personaliza programul după cum urmează:

Exemplu: Doriți să preparați alimente la microunde la o putere 100 P timp de 3 minute, apoi la grill timp de 9 minute. Această setare conține două etape.		
	Pași	Afișaj
1	Microunde la 100P timp de 3 minute	
1.1	Apăsați butonul Micro Power/Grill.combi pentru a selecta nivelul puterii.	100P
1.2	Rotiți butonul Auto cooking/Time.Weight pentru a seta durata de preparare.	3:00
2	Grill timp de 9 minute	
2.1	Apăsați butonul Micro Power/Grill.combi pentru a seta programul de preparare la grill	G
2,2	Rotiți butonul Auto cooking/Time. Weight pentru a seta durata preparării	09:00
3	Porniți prepararea prin apăsarea butonului Instant/Start	

ATENȚIE!

- La finalizarea preparării cu microunde, cuptorul va pune în funcțiune grilul în mod automat.
- Pot fi setate cel mult 4 etape consecutive de preparare.

12. FUNCȚIA DE BLOCARE ÎMPOTRIVA ACȚIONĂRII DE CĂTRE COPII

Utilizați această funcție pentru a bloca panoul de control în timpul curățării aparatului sau pentru a împiedica utilizarea cuptorului de către copii. În acest mod, toate butoanele sunt scoase din funcțiune.

Activarea funcției de blocare împotriva acționării de către copii: Apăsați și mențineți apăsat butonul **Pause/Cancel** timp de 3 secunde.

Dezactivarea funcției de blocare împotriva acționării de către copii: Apăsați și mențineți apăsat butonul **Pause/Cancel** timp de 3 secunde.

VIII. FUNCȚIONARE

1) Conectați aparatul la sursa de alimentare cu energie electrică.

-Înainte de introducerea ștecărului în priză, asigurați-vă că temporizatorul este în poziția „0”

- Nu blocați orificiile de ventilație

2) Puneți alimentele pe platoul rotativ și închideți ușa

- Alimentele trebuie să fie introduse într-un recipient

3) Selectați nivelul de putere dorit

4) Setați temporizatorul

Dacă timpul de preparare dorit este de mai puțin de 10 minute, rotiți butonul temporizatorului până la poziția care indică 10 minute, apoi rotiți-l înapoi până la setarea dorită.

5) După setarea duratei, prepararea va începe. Dacă doriți să întrerupeți procesul de preparare, deschideți ușa în orice moment, apoi închideți-o pentru a relua prepararea.

6) La finalizarea procesului de preparare, cuptorul cu microunde va emite un semnal sonor, iar lampa din interiorul cuptorului se va stinge automat.

Dacă alimentele sunt scoase din cuptor înainte de finalizarea procesului de preparare, asigurați-vă că ați pus butonul temporizatorului în poziția „0”, pentru a evita funcționarea cuptorului cu microunde fără alimente înăuntru.

IX. INDICAȚII PRIVIND UTILIZAREA RECIPIENTELOR

Vă recomandăm să utilizați numai recipiente potrivite pentru prepararea alimentelor în cuptorul cu microunde. În general, recipientele fabricate din ceramică, sticlă sau plastic rezistente la căldură sunt potrivite pentru prepararea cu microunde. Nu utilizați niciodată recipientele metalice în cazul preparării cu microunde sau al preparării combinate, deoarece există riscul de producere a scânteilor. Pentru detalii suplimentare, consultați tabelul de mai jos:

Materialul recipientului	Microunde	Observații:
Ceramică termorezistentă	Da	Nu utilizați vase cu decorațiuni din metal sau vase smălțuite
Plastic termorezistent	Da	Nu poate fi utilizat pentru perioade îndelungate
Sticlă termorezistentă	Da	
Folie din plastic	Da	Aceasta nu trebuie utilizată atunci când preparați carne sau cotlete, deoarece temperatura ridicată poate deteriora folia
Grătar pentru grill	Nu	
Recipiente din metal	Nu	Acestea nu trebuie utilizate în cuptorul cu microunde. Microundele nu pot pătrunde prin metal.
Vase smălțuite	Nu	Termorezistență scăzută Nu pot fi utilizate pentru preparare la temperaturi ridicate
Hârtie și lemn de bambus	Nu	Termorezistență scăzută Nu pot fi utilizate pentru preparare la temperaturi ridicate

X. SFATURI PRIVIND PREPARAREA

Factorii de mai jos pot afecta rezultatul preparării:

Disponerea alimentelor

Dispuneți părțile mai groase ale alimentelor către exteriorul platoului rotativ, iar pe cele mai subțiri către mijlocul acestuia. Dacă este posibil, nu suprapuneți alimentele.

Durata preparării

Începeți procesul cu o durată redusă de preparare, observați rezultatul, apoi măriți durata după caz. Prepararea excesivă poate provoca fum sau arsuri.

Prepararea uniformă a alimentelor

Produsele cum ar fi carnea de pui, hamburgerii sau friptura trebuie întoarse în timpul preparării.

În funcție de tipul de aliment, dacă este cazul, amestecați în recipient dinspre exterior către centru, o dată sau de două ori.

Lăsați alimentele să se „pătrundă”

După finalizarea preparării, lăsați alimentele în cuptor pentru o perioadă de timp adecvată, permițând acestora să se „pătrundă” și să se răcească treptat.

Verificarea alimentelor

Verificați culoarea și consistența alimentelor, pentru a vă asigura că acestea sunt bine preparate:

- Verificați dacă aburul iese de pe toată suprafața preparatului, nu numai de pe margine
- Verificați dacă articulațiile cărnii de pasăre pot fi mișcate cu ușurință
- Asigurați-vă că în carne de porc sau de pasăre nu mai este sânge
- Asigurați-vă că peștele este opac și că poate fi tăiat ușor cu furculița

Utilizarea unui vas special pentru rumenire

Atunci când utilizați un vas pentru rumenire sau un recipient cu autoîncălzire, puneți întotdeauna sub acesta un izolator termorezistent, cum ar fi o farfurie de porțelan, pentru a preveni deteriorarea platoului rotativ și a inelului rotativ.

Utilizarea unei folii de plastic

Atunci când preparați alimente cu un conținut ridicat de grăsimi, nu lăsați folia din plastic să intre în contact cu alimentele, deoarece aceasta se poate topi.

Utilizarea unor recipiente din plastic corespunzătoare

Este posibil ca anumite vase din plastic pentru microunde să nu fie potrivite pentru prepararea alimentelor cu un conținut ridicat de grăsimi sau zahăr. De asemenea, durata de preîncălzire specificată în manualele de instrucțiuni ale recipientelor nu trebuie depășită.

XI. ÎNTREȚINERE

REPARAȚII

Înainte de a contacta un tehnician calificat, verificați următoarele:

1. Puneți în cuptor o cană cu apă (aprox. 150 ml) într-un pahar de măsură din sticlă și închideți ușa cuptorului. Dacă ușa este închisă corespunzător, lampa cuptorului se stinge. Lăsați cuptorul să funcționeze timp de un minut.

2. Lampa cuptorului se aprinde?

3. Ventilatorul funcționează?

(Puneți mâna la orificiile de ventilație din partea din spate a cuptorului.)

4. Platoul rotativ se rotește?

(Platoul rotativ se rotește în sens orar sau antiorar. Acest lucru este normal.)

5. Apa din interiorul cuptorului este fierbinte?

Dacă la oricare dintre întrebările de mai sus răspunsul este „NU”, vă rugăm să verificați priza de perete și siguranța circuitului electric din locuință.

Dacă priza de perete și siguranța circuitului electric funcționează corespunzător, CONTACTAȚI CEA MAI APROPIATĂ UNITATE DE SERVICE AUTORIZATĂ

MĂSURI DE PROTECȚIE PRIVIND DEPANAREA

Atenție: RADIAȚII DE MICROUNDE

1. Energia electrică este prezentă în condensatorul de înaltă tensiune după deconectarea de la sursa de alimentare. Scurtcircuitați borna negativă a condensatorului de înaltă tensiune cu cadrul cuptorului (utilizați o șurubelniță) pentru a-l descărca înainte de a-l atinge.

2. În timpul efectuării reparațiilor, componentele de mai jos pot fi înlocuite și au potențiale electrice de peste 250 V.

- Magnetron
- Transformator de înaltă tensiune
- Condensator de înaltă tensiune
- Diodă de înaltă tensiune
- Siguranță de înaltă tensiune

3. Împrejurările descrise mai jos pot duce la expunerea excesivă la acțiunea microundelor:

Instalarea necorespunzătoare a magnetronului;

Montarea incorectă a sistemului de blocare a ușii, a balamalelor sau a ușii.

Instalarea incorectă a întrerupătorului;

Ușa, garnitura ușii sau carcasa au fost deteriorate.

Eliminarea corectă a acestui produs

Acest marcaj indică faptul că produsul nu trebuie aruncat împreună cu alte deșeuri menajere pe întreg teritoriul UE. Pentru a preveni posibile efecte care dăunează mediului înconjurător sau sănătății umane ca urmare a eliminării necontrolate a deșeurilor, reciclați responsabil pentru a susține reutilizarea durabilă a resurselor materiale. Pentru eliminarea produsului, vă rugăm să vă adresați centrelor de colectare sau să contactați distribuitorul de la care produsul a fost achiziționat. Astfel, produsul dumneavoastră va fi reciclat în condiții de siguranță pentru mediul înconjurător.



INFORMATII PRIVIND DESEURI DE ECHIPAMENTE ELECTRICE SI ELECTRONICE (DEEE)

Deseurile de echipamente electrice si electronice (DEEE) pot contine substante periculoase ce au un impact negativ asupra mediului si sanatatii umane, in cazul in care nu sunt colectate separat.

Acest produs este conform cu Directiva UE DEEE (2012/19/UE) si este marcat cu un simbol de clasificare a deșeurilor de echipamente electrice și electronice (DEEE), reprezentat grafic in imaginea alaturata.



Aceasta pictograma indica faptul ca DEEE nu trebuie amestecate cu deseurile menajere si ca ele fac obiectul unei colectari separate.

Avand in vedere prevederile OUG 195/2005 – referitoare la protectia mediului si O.U.G. 5/2015 privind deseurile de echipamente electrice si electronice, va recomandam sa aveti in vedere urmatoarele:

- Materialele si componentele folosite la constructia acestui produs sunt materiale de înaltă calitate, care pot fi refolosite și reciclate.
- Nu aruncați produsul împreună cu gunoiul menajer sau cu alte gunoaie la sfârșitul duratei de exploatare.
- Transportați-l la centrul de colectare pentru reciclarea echipamentelor electrice și electronice unde va fi preluat in mod gratuit.
- Va rugam sa luați legătura cu autoritățile locale pentru detalii despre aceste centre de colectare organizate de operatorii economici autorizati pentru colectarea DEEE.

Conformitatea cu directiva RoHS: Produsul pe care l-ați cumpărat este conform cu Directiva RoHS UE (2011/65/UE). Nu conține materialele dăunătoare și interzise specificate în Directivă.

Va multumim ca participati alaturi de noi la protejarea mediului si a sanatatii umane!

XII. FISA TEHNICA

Putere	700W
Alimentare	230V~ 50Hz
Capacitate	20 L



HEINNER este marcă înregistrată a companiei **Network One Distribution SRL**. Celelalte branduri și denumirile produselor sunt mărci de comerț sau mărci de comerț înregistrate ale respectivilor deținători.

Nicio parte a specificațiilor nu poate fi reprodusă, sub nicio formă și prin niciun mijloc, nici utilizată pentru obținerea unor derivate precum traduceri, transformări sau adaptări, fără consimțământul prealabil al companiei NETWORK ONE DISTRIBUTION.

Copyright © 2013 Network One Distribution. Toate drepturile rezervate.

www.heinner.com, <http://www.nod.ro>

<http://www.heinner.com>, <http://www.nod.ro>



Acest produs este proiectat și realizat în conformitate cu standardele și normele Comunității Europene.

Importator: **Network One Distribution**

Str. Marcel Iancu, nr. 3-5, București, România

Tel: +40 21 211 18 56, www.heinner.com , www.nod.ro

HEINNER

МИКРОВЪЛНОВА ФУРНА

Модел: HMW-20GRD



- Микровълнова фурна
- Обем: 20 литра

Благодарим Ви, че избрахте този продукт!

I. ВЪВЕДЕНИЕ

Моля прочетете внимателно инструкциите и запазете наръчника за бъдещи справки.

Този наръчник има за цел да Ви предостави всички необходими инструкции по отношение на инсталирането, използването и поддържането на уреда. Преди инсталиране и използване на уреда, с цел правилна и безопасна употреба на уреда, моля прочетете внимателно този наръчник с инструкции.

II. СЪДЪРЖАНИЕ НА ВАШИЯ КОМПЛЕКТ



- Микровълнова фурна
- Наръчник за употреба
- Сертификат за гаранция

III. ВАЖНИ ПРЕДПАЗНИ МЕРКИ

Следните основни предпазни мерки трябва да се спазват винаги, когато използвате електроуреди:

1. Прочетете всички инструкции преди да започнете използването на уреда.
2. Уверете се, напрежението на източника за захранване от Вашето жилище съответства на посоченото върху етикета с техническите данни на уреда. Уверете се, че стенният контакт е заземен.
3. С цел намаляване на риска от запалване във вътрешността на фурната:
 - а) Не надвишавайте необходимото време за приготвяне на храните;
 - б) Преди поставяне на хартиени или пластмасови торби във фурната, отстранете лентите с метални частици, с които са били затворени;
 - в) Не затопляйте в микровълновата фурна олио или мазнина за пържене, защото тяхната температура не може да се контролира;
 - г) След употреба на фурната, избършете капака на водача на микровълната с мека кърпа, след това със суха, за да отстраните капките от мазнина или храни. Натрупването на дебел слой мазнина може да прегрее, може да доведе до образуване на дим и може да се възпламени.
 - д) Ако материалите от вътрешността на фурната образуват дим или се възпламенят, дръжте вратата на фурната затворена, изключете фурната и извадете нейния щепсела от контакта.
 - е) Тогава, когато затопляте храни в пластмасови или хартиени съдове, има риск от тяхно запалване. Поради тази причина, процесът на затопляне трябва да се наблюдава постоянно.
4. С цел намаляване на риска от възникване на експлозия или от внезапно разливане на храните във вътрешната част:
 - а) **ПРЕДУПРЕЖДЕНИЕ:** Течностите и други храни не трябва да се затоплят в плътно затворени опаковки, защото могат да експлодират. Бибероните, предвидени с капак с резба, се считат за плътно затворени съдове.
 - б) За затопляне на течности, използвайте съд с широк отвор. Съдът с течност не трябва да се изважда от фурната непосредствено след приключване на процеса на затопляне. Изчакайте няколко секунди преди да го извадите, за да предотвратите риска от внезапно разливане на горещата течност.
 - в) Обелете или набодете картофите, надениците и кестените, преди да ги поставите във фурната. Не нагривайте във фурната яйца с кората или варени яйца, защото могат да експлодират дори и след приключване на процеса на затопляне
 - г) С цел предотвратяване на изгарянията разклатете бибероните и бурканите с детски храни или смесете тяхното съдържание и проверете температурата на храните преди да започнете храненето на децата.
5. С цел предотвратяване на опасността от токов удар, ако захранващият кабел е повреден, трябва да се подмени от производителя, от своя оторизиран сервиз или от квалифициран техник.

6. След затопляне на храните съдовете могат да се нагриват. Използвайте кухненски ръкавици, за да извадите храните и предпазвайте лицето и ръцете Ви, за да предотвратите изгарянията, причинени от парите.
7. Вдигнете бавно откъм противоположния край на капака на съда или на пластмасовия съд и отворете внимателно торбичките с пуканки предпазвайки лицето Ви.
8. С цел предотвратяване спукването на въртящата се чиния:
 - а) Оставете въртящата се чиния да изстине преди почистване;
 - б) Не поставяйте горещи храни или съдове върху студена чиния;
 - в) Не поставяйте замръзнали храни или съдове върху топла чиния.
9. Уверете се, че съдовете с храни не се допират до вътрешните стени на фурната по време на приготвяне.
10. Използвайте само съдове, които са подходящи за използване в микровълнова фурна.
11. Не съхранявайте храни или други предмети във вътрешността на фурната.
12. Не включвайте микровълновата фурна, ако във вътрешността ѝ не е поставен съд с храни или течности. Това може да доведе до повреждане на фурната.
13. Тогава, когато уредът се използва в режим на комбинирано приготвяне, децата трябва да използват фурната само под наблюдение на възрастно лице, защото във фурната се образуват много високи температури.
14. Използването на аксесоари, не препоръчани от производителя на уреда, може да причини наранявания.
15. Не използвайте уреда на открито.
16. Пазете тези инструкции.
17. ПРЕДУПРЕЖДЕНИЕ: Ако вратата или уплътнението на вратата е повредена(о) или ако фурната функционира по несъответстващ начин, спрете употребата на уреда до неговото ремонтване от квалифицирано лице.
18. ПРЕДУПРЕЖДЕНИЕ: Извършването на операции за поддръжка или на ремонти, които включват отстраняване на корпусите, които предлагат защита от микровълни, е опасно за неквалифицирани лица.
19. Ако излиза дим от уреда, изключете го от източника за захранване с електроенергия и дръжте вратата затворена, за да изгаснат пламъците.
20. Затоплянето с микровълни на напитки може да доведе до внезапно разливане на течностите от съдовете; следователно, боравяйте внимателно със съдовете.
21. Не използвайте абразивни агенти за почистване или метални телчета с цел почистване на стъклото на вратата на фурната, защото може да се надраска или спуква.
22. Лампата на микровълновата фурна не е предназначена за използване за други цели освен за тази, за която е проектирана.
23. Уредите не са предназначени за използване чрез външен таймер или чрез система за дистанционно управление.
24. Този уред е предназначен **само за домашна употреба**.

25. Микровълновата фурна е предназначена за затопляне на храни и напитки. Изсушаването на храни или дрехи, затоплянето на възглавници, чехли, гъби за почистване, влажни кърпи или на други подобни предмети може да доведе до риск от нараняване или до възникване на пожар.
26. Уредът може да се използва от деца на възраст най-малко 8 години и от лица с намалени физически, сетивни или умствени способности, или с липса на достатъчен опит и познания, само ако са под наблюдение или са получили указания във връзка с използването на уреда по безопасен начин и ако разбират опасностите, които могат да възникнат при използване на уреда. Децата нямат право да си играят с уреда. Почистването и поддръжката не трябва да се извършват от деца, освен ако са на възраст най-малко 8 години и са под наблюдение. Не оставяйте уреда и хранящия кабел в близост до деца на възраст по-малко от 8 години.
27. Уредът не е предназначен за използване от лица (включително деца) с намалени физически, сетивни или умствени проблеми, или с липса на опит и познания, освен ако са под наблюдение или са получили указания по отношение на използването на уреда от лице, което е отговорно за тяхната безопасност.
28. Децата трябва да бъдат под наблюдение, така че да не си играят с уреда.
29. Не използвайте уреди за почистване с пара.
30. Вратата и външната повърхност могат да се нагряват тогава, когато уредът работи.
31. ПРЕДУПРЕЖДЕНИЕ: Достъпните компоненти могат да се нагряват по време на употреба. Децата на малка възраст трябва да стоят далеч от уреда.
32. По време на употреба уредът се нагрява. Предотвратявайте докосването на нагревателните елементи от вътрешността на фурната.
33. По време на употреба повърхностите на уреда могат да се нагряват.

IV. ИНСТАЛИРАНЕ

1. Отстранете всички опаковки. Ако уредът е завит във защитно фолио, отстранете фолиото преди употреба. Проверете внимателно дали няма повреди. Ако уредът има повреди, свържете се с дистрибутора или обърнете се към оторизирания сервиз на производителя.
2. Микровълновите фурни трябва да се поставят в сухи и некорозионни среди, далеч от източници на топлина и влажност, като горелки или водни резервоари.
3. С цел осигуряване на съответстващо проветрение, разстоянието между задната страна на уреда и стената трябва да бъде най-малко 10 см, разстоянието между страничните части и стената трябва да бъде най-малко 5 см, а пространството над уреда трябва да има височина най-малко 20 см. Уредът трябва да се поставя на височина най-малко 85 см от пода.
4. Фурната трябва да се поставя далеч от телевизори, радиоапарати или антени, защото може да образува интерференции. Разстоянието трябва да бъде най-малко 5 метра.
5. Уредът трябва да се позиционира, така че щепселът да бъде достъпен, а електрическият контакт трябва да бъде заземен.
6. Микровълновата фурна трябва да функционира със затворена врата.
7. Микровълновата фурна не трябва да се поставя в шкаф. Микровълновата фурна е предназначена за употреба като самостоятелен уред.
8. Поради следите от индустриално масло, останали върху вътрешните стени на фурната или върху нагревателния елемент, е възможно по време на първата употреба да се усеща специфична миризма или дори да излиза дим. Това събитие е нормално и ще изчезне след няколко използвания. С цел осигуряване на съответстващо проветрение, отворете прозореца или вратата. Така, преди първата употреба, се препоръчва да поставите една кана с вода върху въртящата се чиния, да настроите уреда на висока мощност и да го включите няколко пъти.

V. ПОЧИСТВАНЕ

ПОДДЪРЖАНЕ НА МИКРОВЪЛНОВАТА ФУРНА

ВНИМАНИЕ!

Фурната трябва да се почиства редовно, а отлаганията на храни трябва да се отстраняват.

ПРЕДУПРЕЖДЕНИЕ!

1. Преди почистване, изключвайте щепсела от източника за захранване с електроенергия. По време на почистване, не потапяйте уреда във вода или други течности.
2. Ако фурната не се поддържа чиста, нейните повърхности могат да се повредят, като времето за употреба на продукта може да се намали и могат да възникнат дори опасни ситуации.
3. Не използвайте много силни препарати за миене, бензин, абразивни прахове или метални телчета с цел почистване на уреда.
4. Не изваждайте капака на водача на микровълната.
5. След дълга употреба на микровълновата фурна, от вътрешността ѝ могат да се отделят неприятни миризми. За отстраняване на тези миризми разполагате със следните 3 метода:
 - а) Поставете няколко резенчета лимон в една чашка, след това включете уреда на висока мощност за 2-3 минути;
 - б) Поставете във фурната една чашка с червен чай, след това стоплете чая включвайки уреда на висока мощност;
 - в) Поставете във фурната няколко портокалови корички, след това включете уреда на висока мощност за 1 минута.
6. ПРЕДУПРЕЖДЕНИЕ: Не позволявайте на децата да използват фурната без да бъдат под наблюдение, освен ако са обучени по съответстващ начин по отношение на безопасната употреба на уреда и разбират опасностите, които могат да възникнат при несъответстваща употреба.

СЪВЕТИ ЗА ПОЧИСТВАНЕ

Подробности относно почистването на уплътнението на вратата, на вътрешната част и на съседните зони:

Външна част:

Избърсвайте външната част на уреда с мека и влажна кърпа.

Врата:

Избърсвайте вратата и стъклото на фурната с мека и влажна кърпа.

Избърсвайте уплътнението и съседните зони отстранявайки петната и капките.

Избърсвайте контролния панел с мека и леко влажна кърпа.

Вътрешни стени:

Избърсвайте вътрешността на уреда с мека и влажна кърпа.

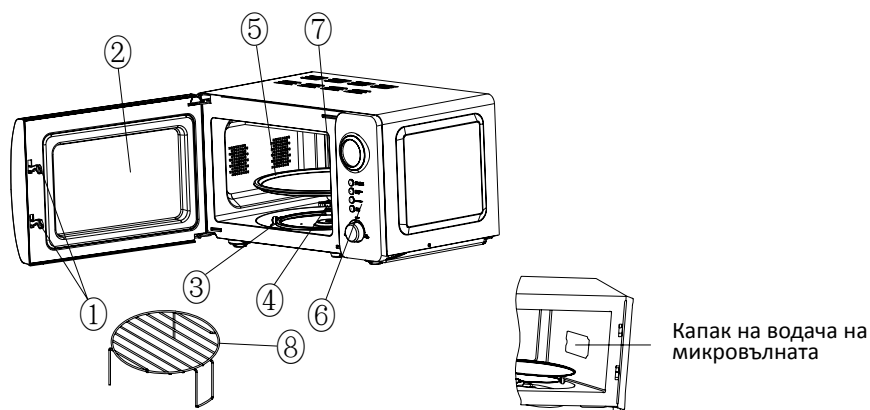
Избърсвайте капака на водача на микровълната, за да отстраните капките върху него.

Въртяща се чиния / Въртящ се пръстен / Въртяща се ос:

Измивайте ги с вода и неутрален препарат за миене.

Изплаквайте ги с чиста вода и избърсвайте ги добре.

VI. ОПИСАНИЕ НА ПРОДУКТА



1) Система за блокиране на вратата

Вратата на микровълновата фурна трябва да се затваря по съответстващ начин, така че да функционира.

2) Стъкло на фурната

Позволява на потребителя да следи през него процеса на приготвяне.

3) Въртяща се ос

Оста върти стъклената чиния с помощта на мотора, който се намира под нея.

4) Въртящ се пръстен

Въртящата се чиния е поставена върху колелцата на въртящия се пръстен; той поддържа въртящата се чиния и я уравновесява.

5) Въртяща се чиния

Съдовете с храни се поставят върху въртящата се чиния; въртящото движение помага за равномерно приготвяне на храните.

ВНИМАНИЕ!

- Поставете първо въртящия се пръстен.

- Нагласете въртящата се чиния върху въртящата се ос и уверете се, че е позиционирана по съответстващ начин.

6) Контролен панел

Вижте подробностите по-долу (конфигурацията на контролния панел може да се променя без предварително уведомление)

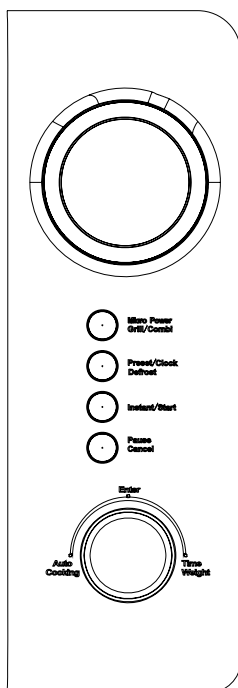
7) Капак на водача на микровълната

Той се намира във вътрешността на микровълновата фурна, до стената на контролния панел.

8) Скара за грил

Никога не демонтирайте капака на водача на микровълната.

VII. ИЗПОЛЗВАНЕ НА КОНТРОЛНИЯ ПАНЕЛ



1. ПРЕДИ ПРИГОТВЯНЕ

Екранът светва премигвайки 3 пъти в момента на свързване на уреда към източника за захранване с електроенергия. След това върху екрана ще се показва премигвайки знака ":" като изисква от Вас да въведете програма и час.

2. ВЪРТЯЩИЯТ СЕ БУТОН **AUTO.COOKING/TIME.WEIGHT**

Можете да увеличите или намалите времето за приготвяне и теглото или можете да изберете програма за автоматично приготвяне по време на функциониране завъртвайки бутона **Auto.Cooking /Time.Weight**.

3. АВТОМАТИЧНА АЛАРМА

При приключване на предварително определената програма на приготвяне, върху екрана се показва надпис "End" и се издават три звукови сигнала, които Ви сигнализират, че трябва да извадите храната от фурната. Ако не натиснете бутона **Pause/Cancel** един път или ако не отворите вратата на фурната, звуковият сигнал ще продължава да се издава на интервали от три минути.

5. НЕЗАБАВНО ПРИГОТВЯНЕ

Тогава, когато фурната се намира в режим на изчакване (Standby), натиснете бутона **Instant/Start** и фурната ще започне приготвянето при висока мощност по време на 1 минута. Можете да увеличите или намалите времетраенето за приготвяне чрез завъртане на бутона **Auto.Cooking/Time.Weight**.

Забележка: Функцията за незабавно приготвяне се прилага в следните ситуации:

- Активиране на функцията за незабавно приготвяне в интервал от 2 минути тогава, когато вратата на фурната е затворена.
- Активиране на функцията за незабавно приготвяне в интервал от 2 минути при натискане на бутона **Pause/Cancel**.
- Активиране на функцията за незабавно приготвяне в интервал от 2 минути след приключване на предварително настроената програма за приготвяне.

6. НАСТРОЙКА НА ЧАСА

Бутонът **Prerest/Clock.Defrost** Ви позволява да въведете текущия час или времетраенето за приготвяне тогава, когато знакът ":" е показан премигвайки върху екрана след свързване на уреда към източника за захранване с електроенергия. Тази стъпка може да бъде пропусната, ако я считате за безполезна.

Пример: за настройка на час 12:30		
	Стъпки	Екран
1	След свързване към източника за захранване, знакът е показан премигвайки.	:
2	Натиснете и задръжте натиснат бутона Preset/Clock.Defrost по време на три секунди.	00:00
3	Завъртете бутона Auto Cooking/Time.Weight , за да настроите часа.	12:00
4	Натиснете отново бутона Preset/Clock.Defrost .	12:00
5	Завъртете бутона Auto cooking/Time.Weight , за да настроите минутите.	12:30
6	Натиснете отново бутона Preset/Clock.Defrost или изчакайте 5 секунди и часът ще се показва постоянно.	

7. ПРОГРАМА ЗА ПРИГОТВЯНЕ С МИКРОВЪЛНИ И ГРИЛ

Тази функция позволява приготвяне и печене на грил на храните. Натиснете този бутон и върху екрана ще се показва последователно 100P, 80P, 60, 40P, 20P, G, C.1, C.2.

Висока мощност	100% мощност на микровълните За бързо приготвяне и в дълбочина
Средно-висока мощност	80% мощност на микровълните За средна степен на приготвяне
Средна мощност	60% мощност на микровълните За готвене с пара на храните
Средно-ниска мощност	40% мощност на микровълните За размразяване на храни
Ниска мощност	20% мощност на микровълните За поддържане на храните топли
G	Грил. Нагревателният елемент ще функционира по време на приготвяне. За приготвяне на грил на тънки парчета свинско месо, наденици и пилешки крилца, като те могат да бъдат добре изпечени
C.1	Комбинирано приготвяне, с грил и микровълни 30% от времето - приготвяне с микровълни, 70% от времето - приготвяне с грил
C.2	Комбинирано приготвяне, с грил и микровълни 55% от времето - приготвяне с микровълни, 45% от времето - приготвяне с грил

ВНИМАНИЕ!

- а. Максималното време за приготвяне е 60 минути.
- б) Не използвайте фурната, ако е празна.
- в) НЕ използвайте скарата за грил по време на обработката с микровълни.
- г) Тогава, когато използвате микровълните при максимална мощност, фурната ще намалява автоматично мощността след определено време, за да удължи времето за употреба на уреда.
- д. Ако желаете да обърнете храните по време на функциониране, натиснете един път бутона **Instant/Start** и предварително определеният процес на приготвяне ще продължи.
- е) Ако желаете да извадите храните от фурната преди предварително определеното време, трябва да натиснете бутона **Pause/Cancel** един път, за да анулирате предварително определената процедура предотвратявайки по този начин случайното функциониране при следващата употреба.
- ж) В режим на приготвяне **Grill/Combi**, всички компоненти на фурната (включително скарата за грил и съдовете) могат да се нагряват. Препоръчва се да внимавате тогава, когато изваждате предметите от фурната. Използвайте кухненски ръкавици или поставки за тенджери, за да предотвратите изгарянията.

Пример: За приготвяне при P80 по време на 10 минути	
Стъпки	Екран
След свързване към източника за захранване, знакът е показан премигвайки.	:
Изберете желаната мощност на микровълните като натискате последователно бутона Micro Power/Grill.combi	80P
Определете времетраенето за приготвяне като завъртите бутона Auto cooking/Time.Weight	10:00
Натиснете бутона Instant/Start , и екранът ще започне обратно броене, за да посочва времетраенето за функциониране.	

8. РАЗМРАЗЯВАНЕ

Тази функция позволява размразяване на храните. Натиснете бутона **Preset.Clock/Defrost** и върху екрана ще се показва последователно d.1 - d.2 - d.3.

d.1	За размразяване на свинско или телешко месо с тегло между 0,1 и 2,0 кг.
d.2	За размразяване на птиче месо с тегло между 0,2 и 3,0 кг.
d.3	За размразяване на морски дарове с тегло между 0,1 и 0,9 кг.

ВНИМАНИЕ!

- а) С цел равномерно размразяване е необходимо обръщане на храните по време на функциониране на уреда.
- б) Обикновено размразяването на храните е процес, който трае повече от приготвянето на храните.
- в) Ако храните могат да бъдат нарязани с нож, процесът на размразяване може да се счита за приключен.
- г) Микровълните проникват около 4 см във вътрешността на повечето хранителни продукти.
- д) Размразените хранителни продукти трябва да бъдат консумирани възможно най-скоро. Не се препоръчва повторното им поставяне в хладилник и/или повторното замразяване.

Пример: За размразяване на 0,4 кг птиче месо	
Стъпки	Екран
След свързване към източника за захранване, знакът е показан премигвайки.	:
Натиснете бутона Preset /Clock. Defrost за да настроите вида на храната.	d.2
Завъртете бутона Auto Cooking/Time. Weight за да настроите теглото на продукта, който следва да бъде размразен.	0,4
Включете приготвянето чрез натискане на бутона Instant/Start	05:16
След изтичане на половината от необходимото време за размразяване, ще бъдат издадени два пъти 3 звукови сигнала, които Ви предупреждават по отношение на факта, че трябва да обърнете храните. Отворете вратата и обърнете храните, след това затворете вратата. Натиснете отново бутона Instant /Start с цел продължаване на размразяването.	

9. АВТОМАТИЧНО ПРИГОТВЯНЕ

С цел улесняване на приготвянето фурната разполага със съответстващи програми за автоматично приготвяне. Тогава, когато върху екрана се показва знака ":", завъртете бутона в обратна посока на часовниковите стрелки и върху екрана ще се показва последователно A-01, A-02 A-12. След настройване на програмата за автоматично приготвяне, можете да натиснете бутона **Enter**, за да настроите теглото.

Изберете съответстващата програма в зависимост от вида и теглото на храните и следвайте стриктно указанията от долната таблица. В противен случай ефектът от приготвянето ще бъде засегнат значително.

Екран	Вид	Тегло
A-01	Пуканки	На разположение са две опции (85 гр. и 100 гр.)
A-02	Картофи	На разположение са две опции (0,45 кг. и 0,65 кг.)
A-03	Зеленчуци	На разположение са пет опции (0,1 , 0,2-----0,5 кг.)
A-04	Свинско или телешко месо	На разположение са шест опции (0,2 , 0,3-----0,7 кг.)
A-05	Риба	На разположение са шест опции (0,2 , 0,3-----0,7 кг.)
A-06	Пилешко месо	На разположение са шест опции (0,2 , 0,3-----0,7 кг.)
A-07	Претопляне	На разположение са пет опции (0,2 , 0,4-----1,0 кг.)
A-08	Напитки	На разположение са две опции (250 мл. и 500 мл.)
A-09	Ориз	На разположение са пет опции (0,1 , 0,2-----0,5 кг.)
A-10	Тестени изделия	На разположение са пет опции (0,1 , 0,2-----0,5 кг.)
A-11	Хляб	На разположение са пет опции (0,1 , 0,2-----0,5 кг.)
A-12	Пица	На разположение са две опции (1 парче и 2 парчета)

ВНИМАНИЕ!

а) Температурата на храните преди приготвяне трябва да бъде 20-25°C. По-ниската или по-високата температура на продукта преди приготвяне изисква увеличаване или намаляване на времетраенето за приготвяне.

б) Температурата, теглото и формата на храните оказват значително влияние върху ефекта на приготвянето. Ако се нарушат горните условия, можете да определите времетраенето за готвене, съответстващо за всяка ситуация по отделно.

Пример: За готвене на пара на 0,4 кг риба		
Стъпки		Екран
1.	След свързване към източника за захранване, знакът е показан премигвайки.	:
2.	Завъртете бутона, така че уредът да влезе в режим на програмиране на приготвянето	
3.	Настройте програмата за приготвяне чрез завъртане на бутона	A-05
4.	Натиснете бутона Enter , за да потвърдите	A-05
5.	Завъртете бутона Auto Cooking/ Time. Weight за да настроите теглото	0,4
6.	Включете приготвянето чрез натискане на бутона Instant/Start	

10. АВТОМАТИЧНО ВКЛЮЧВАНЕ (ФУНКЦИЯ С ТАЙМЕР)

Ако желаете програмата да не започне веднага, можете да изберете предварително програмата за приготвяне и часа за включване и предварително избраната програма ще се включи автоматично в определения. Настройката се състои в 2 стъпки:

- Настройка на текущия час;
- Настройка на програмата за приготвяне и на часа за включване.

ВНИМАНИЕ!

Ако желаете определената програма да се включи веднага, натиснете бутона **Instant/Start**; ако желаете да анулирате функцията за автоматично включване, натиснете бутона **Pause/Cancel**.

Пример: Предполагайки че текущият час е 12:30, ако желаете уредът да включи автоматичното приготвянето при мощност 100p на микровълните за 9 минути и 30 секунди в 14:20 ч., следвайте стъпките по-долу:		
	Стъпки	Екран
1	След свързване към източника за захранване, знакът е показан премигвайки.	:
1.1	Натиснете и задръжте натиснат бутона Preset/Clock.Defrost по време на три секунди.	00:00
1.2	Настройте часа чрез въртене на бутона Auto cooking/Time.Weight	12:00
1.3	Натиснете отново бутона Preset/Clock.Defrost , за да потвърдите часа.	12:00
1.4	Настройте минутите чрез въртене на бутона Auto cooking/Time.Weight	12:30
1.5	Натиснете отново бутона Preset/Clock.Defrost или изчакайте 5 секунди и часът ще се показва постоянно.	12:30
2	Настройте програмата за приготвяне и часа за включване.	
2.1	Изберете мощността чрез натискане на бутона Micro Power/Grill.combi	100P
2.2	Завъртете бутона Auto cooking/Time.Weight , за да настроите времетраенето на приготвянето.	9:30
2.3	Натиснете и задръжте натиснат бутона Preset/Clock.Defrost по време на 3 секунди за връщане към показването на текущия час.	
3	Настройте желания час за включване. Повторете стъпките от подточки 1.2, 1.3 и 1.4.	
4	Натиснете бутона Preset/Clock.Defrost с цел потвърждаване на програмата с таймер. Програмата е активирана и ще започне в 14:20 ч.	
5	За проверка на предварително настроените час за включване натиснете бутона Preset/Clock.Defrost .	

11. ПРИГОТВЯНЕ В ПОСЛЕДОВАТЕЛНИ ЕТАПИ

За получаване на най-добри резултати, някои рецепти изисква различни програми и времена за приготвяне. Можете да персонализирате програмата по следния начин:

Пример: Желаете да готвите храни с микровълни при мощност 100P за 3 минути, след това на грил за 9 минути. Тази настройка съдържа два етапа.		
	Стъпки	Екран
1	Микровълни при 100P за 3 минути	
1.1	Натиснете бутона Micro Power/Grill.combi , за да настроите нивото на мощността.	100P
1.2	Завъртете бутона Auto cooking/Time.Weight , за да настроите времетраенето за приготвяне.	3:00
2	Грил за 9 минути	
2.1	Натиснете бутона Micro Power/Grill.combi , за да настроите програмата за приготвяне на грил.	G
2.2	Завъртете бутона Auto cooking/Time.Weight , за да настроите времетраенето на приготвянето.	09:00
3	Включете приготвянето чрез натискане на бутона Instant/Start	

ВНИМАНИЕ!

- а) След приключване на приготвянето с микровълни, фурната ще включи автоматично грила.
- б) Могат да се настройват най-много 4 последователни етапа за приготвяне.

12. ФУНКЦИЯ ЗА ЗАЩИТА СРЕЩУ ЗАДЕЙСТВАНЕ ОТ ДЕЦА

Използвайте тази функция, за да блокирате контролния панел по време на почистване на уреда или за да възпрепятствате използването на фурната от деца.

По този начин се изключва действието на всички бутони.

Активиране на функцията за защита срещу задействане от деца: Натиснете и задръжте натиснат бутона **Pause/Cancel** за 3 секунди.

Деактивиране на функцията за защита срещу задействане от деца: Натиснете и задръжте натиснат бутона **Pause/Cancel** за 3 секунди.

VIII. ФУНКЦИОНИРАНЕ

- 1) Свържете уреда към източника за захранване с електроенергия.
 - Преди включване на щепсела в контакта, уверете се, че таймерът се намира в позиция "0".
 - Не блокирайте вентилационните отвори.
- 2) Поставете храните върху въртящата се чиния и затворете вратата.
 - Храните трябва да бъдат поставени в един съд.
- 3) Изберете желаното ниво на мощност.
- 4) Настройте таймера.

Ако желаното време за приготвяне е по-малко от 10 минути, завъртете бутона на таймера до позиция, която посочва 10 минути, след това завъртете го обратно до желаната настройка.
- 5) След настройка на времетраенето, приготвянето ще започне. Ако желаете да прекъснете процеса на приготвяне, отворете вратата във всеки момент, след това затворете я, за да възобновите приготвянето.
- б) След приключване на процеса на приготвяне, микровълновата фурна ще издаде звуков сигнал и лампата от вътрешността на фурната ще се изключи автоматично.

Ако храните са извадени от фурната преди приключване на процеса на приготвяне, уверете се, че сте поставили бутона на таймера в позиция "0", за да предотвратите функционирането на микровълновата фурна без храни в нея.

IX. УКАЗАНИЯ ЗА ИЗПОЛЗВАНЕ НА СЪДОВЕТЕ

Препоръчваме Ви да използвате само подходящи съдове за приготвяне на храни в микровълнова фурна. Обикновено съдовете, които са произведени от керамика, стъкло или пластмаса и са устойчиви на топлина, са подходящи за приготвяне с микровълни. Никога не използвайте метални съдове при приготвяне с микровълни или при комбинирано приготвяне, защото има риск от образуване на искри. За допълнителни подробности вижте таблицата по-долу:

Материал на съда	Микровълни	Забележки:
Термоустойчива керамика	Да	Не използвайте съдове с метални украси или емайлирани съдове.
Термоустойчива пластмаса	Да	Не може да се използва за дълъг период от време.
Термоустойчиво стъкло	Да	
Стреч фолио	Да	Не трябва да се използва, ако приготвяте месо или котлети, защото високата температура може да повреди фолиото.
Скара за грил	Не	
Метални съдове	Не	Не трябва да се използват в микровълнова фурна. Микровълните не могат да проникват през метали.
Емайлирани съдове	Не	Ниска термоустойчивост. Не могат да се използват за приготвяне при високи температури.
Хартия и бамбуково дърво	Не	Ниска термоустойчивост. Не могат да се използват за приготвяне при високи температури.

X. СЪВЕТИ ОТНОСНО ПРИГОТВЯНЕТО

Факторите по-долу могат да засегнат резултата от приготвянето:

Разполагане на храните

Разположете по-дебелите части на храните към външната част на въртящата се чиния, а по-тънките към нейната среда. Ако е възможно, не поставяйте храните едни върху други.

Времетраене на приготвянето

Започнете процеса с намалено времетраене за приготвяне, вижте резултата, след това увеличете времетраенето според случая. Прекомерно дългото приготвяне може да образува дим или изгаряния.

Равномерно приготвяне на храните

Продукти като пилешко месо, хамбургери или пържоли трябва да се обръщат по време на приготвяне.

В зависимост от вида на храната, ако е необходимо, размесвайте в съда откъм външната страна към средата, един път или два пъти.

Оставете храните да се "смесят"

След приключване на приготвянето, оставете храните във фурната за адекватен период от време, като им позволите да се "смесят" и да изстинат постепенно.

Проверка на храните

Проверете цвета и гъстотата на храните, за да се уверите, че са добре приготвени:

- Проверете дали парата излиза от цялата повърхност на препарата, не само от края;
- Проверете дали ставите на пилешкото месо могат да бъдат раздвижени с лекота;
- Уверете се, че в свинското или птичето месо няма вече кръв;
- Уверете се, че рибата е непрозрачна и може да бъде нарязана лесно с вилица.

Използване на специален съд за препичане

Тогава, когато използвате съд за препичане или съд за автоматично затопляне, винаги поставяйте под него термоустойчив изолатор, като порцеланова чиния, за да се предотврати повреждането на въртящата се чиния и въртящия се пръстен.

Използване на стреч фолио

Тогава, когато приготвяте храни с високо съдържание на мазнини, не оставяйте стреч фолиото да контактува с храните, защото може да се разтопи.

Използване на съответстващи пластмасови съдове

Възможно е определени пластмасови съдове за микровълни да не са подходящи за приготвяне на храни с високо съдържание на мазнини или захар. Също така, времетраенето за претопляне, посочено в наръчниците с инструкции на съдовете, не трябва да се превишава.

XI. ПОДДРЪЖКА

РЕМОНТИ

Преди да се свържете с квалифициран техник, проверете следното:

1. Поставете във фурната една кана с вода (около 150 мл) в стъклен измервателен съд и затворете вратата на фурната. Ако вратата е затворена по съответстващ начин, лампата на фурната изгасва. Оставете фурната да функционира за една минута.

2. Лампата на фурната светва ли?

3. Вентилаторът работи ли?

(Поставете ръката си върху вентилационните отвори от задната страна на фурната.)

4. Въртящата се чиния върти ли се?

(Въртящата се чиния се върти в посока на часовниковите стрелки или обратно на тях. Това е нормално.)

5. Водата от вътрешността на фурната гореща ли е?

Ако отговорът е "НЕ" за всички горепосочени въпроси, моля проверете стенния контакт и предпазителя на електрическата инсталация от жилището.

Ако стенният контакт и предпазителят на електрическата инсталация работят по съответстващ начин, тогава СВЪРЖЕТЕ СЕ С НАЙ-БЛИЗКИЯ ОТОРИЗИРАН СЕРВИЗ.

ЗАЩИТНИ МЕРКИ ЗА ОТСТРАНЯВАНЕ НА ПРОБЛЕМИ

Внимание: РАДИАЦИИ НА МИКРОВЪЛНИ

1. Има електрическа енергия в кондензатора за високо напрежение след изключване от източника на захранване. Направете късо-съединение между негативния полюс на кондензатора за високо напрежение и рамката на фурната (използвайте отвертка), за да го разреждате, преди да го докоснете.

2. По време на извършване на ремонти, компонентите по-долу могат да бъдат подменени и имат електрически потенциал над 250 V:

- Магнетрон;
- Трансформатор за високо напрежение;
- Кондензатор за високо напрежение;
- Диод за високо напрежение;
- Предпазител за високо напрежение.

3. Описаните по-горе обстоятелства могат да намалят прекомерното излагане на действието на микровълните:

Несъответстващото инсталиране на магнетрона;

Неправилното монтиране на пантите, на вратата или на системата за блокиране на вратата;

Несъответстващото инсталиране на прекъсвача;

Вратата, уплътнението на вратата или корпусът са повредени.

Правилно изхвърляне на този продукт

Този знак показва факта, че продуктът не трябва да се изхвърля заедно с други битови отпадъци на цялата територия на ЕС. С цел предотвратяване на възможните ефекти, които вредят на околната среда или човешкото здраве в резултат на неконтролното изхвърляне на отпадъци, рециклирайте отговорно с цел подпомагане на устойчивото повторното използване на материалните ресурси. За изхвърляне на продукта, моля обърнете се към централите за събиране или свържете се с дистрибутора, от който продуктът е бил закупен. По този начин Вашият продукт ще бъде рециклиран при безопасни условия за околната среда.

XII. ТЕХНИЧЕСКА ИНФОРМАЦИЯ

Мощност	700W
Напрежение:	230V~ 50Hz
Обем	20 L



Изхвърляне на отпадъците по начин, отговорен за околната среда

Можете да помогнете за опазването на околната среда!

Моля спазвайте местните разпоредби: Предайте нефункциониращото електрическо оборудване на център за събиране на отпадъци от електрическо оборудване.



HEINNER е регистрирана марка на компанията **Network One Distribution SRL**. Останалите търговски марки и наименованията на продуктите са търговски марки или регистрирани търговски марки на съответните им притежатели.

Нито една част от спецификациите не може да бъде възпроизвеждана под каквато и да е форма или средство, или използвана за получаване на производни като преводи, трансформации или адаптации, без предварителното съгласие на компанията NETWORK ONE DISTRIBUTION.

Copyright © 2013 Network One Distribution. Всички права запазени.

www.heinner.com, <http://www.nod.ro>

<http://www.heinner.com>, <http://www.nod.ro>



Този продукт е проектиран и произведен в съответствие със стандартите и нормите на Европейската общност.

Вносител: **Network One Distribution**

ул. Марчел Янку № 3-5, Букурещ, Румъния

Tel: +40 21 211 18 56, www.heinner.com, www.nod.ro

HEINNER

MIKROHULLÁMÚ SÜTŐ
Modell: HMW-20GRD



- Mikrohullámú sütő
- Úrtartalom: 20 L

Köszönjük, hogy ezt a terméket választotta!

I. BEVEZETÉS

Kérjük, figyelmesen olvassa el az utasításokat, és őrizze meg a kézikönyvet későbbi tanulmányozás céljából.

A kézikönyv célja a készülék beszerelésével, használatával és karbantartásával kapcsolatos minden szükséges tudnivalót rendelkezésére bocsátani. A készülék helyes és biztonságos használata érdekében, kérjük, hogy beszerelés és használat előtt olvassa el figyelmesen a

II. AZ ÖN CSOMAGJÁNAK TARTALMA



- **Mikrohullámú sütő**
- **Használati útmutató**
- **Garancialevél**

III. FONTOS ÓVINTÉZKEDÉSEK

Az elektromos készülékek használatakor mindig tartsa be az alábbi alapvető óvintézkedéseket:

1. Használat előtt olvasson el minden utasítást.
2. Győződjön meg arról, hogy a lakásában lévő tápforrás feszültsége megfelel a készülék műszaki adatokat tartalmazó címkéjén feltüntetettel. Győződjön meg arról, hogy a fali csatlakozó földelve van.
3. A sütő belsejében történő begyulladás veszélyének csökkentéséért:
 - a. Ne lépje túl az élelmiszerek elkészítéséhez szükséges időt.
 - b. A sütőbe helyezés előtt a papír vagy műanyag tasakokról távolítsa el a fémberakású lezáró csíkokat.
 - c. Ne süssön olajban a mikrohullámú sütőben, mivel nem ellenőrizhető a zsiradék hőmérséklete.
 - d. A sütő használata után a zsiradék vagy élelmiszercseppek eltávolításáért a hullámvezető fedőlapját törölje át puha ronggyal, majd szárazzal. A vastag zsiradék lerakódás túlhevülhet, füstöt bocsáthat ki és lángra lobbannak.
 - e. Ha a sütő belsejében lévő anyagok füstöt bocsátanak ki és lángra lobbannak, tartsa a sütő ajtaját becsukva, állítsa meg a sütőt és csatlakoztassa le az áramforrásról.
 - f. Az élelmiszerek műanyag vagy papír edényekben való melegítésekor fennáll a lángra lobbánás veszélye. Ennek érdekében a melegítési folyamatot állandó felügyelet mellett végezze.
4. Az élelmiszereknek a sütő belsejében történő váratlan felrobbanása vagy kiömlése kockázatának csökkentéséért:
 - a. **FIGYELMEZTETÉS:** A folyadékokat és más élelmiszereket ne melegítse zárt tárolóedényben, mert felrobbanhatnak. A csavaros tetővel vagy cuclival ellátott cuclisüvegek zárt tárolóedényeknek számítanak.
 - b. Folyadékok melegítésére használjon széles szájú edényt. A melegítési folyamat befejezése után azonnal ne vegye ki az edényt. A forró folyadék hirtelen kiömlése veszélyének elkerülése végett, várjon néhány percet.
 - c. A sütőbe tevés előtt hámozza vagy szurkálja meg a krumplit, kolbászt és a gesztenyét. Ne melegítsen a sütőben egész tojást héjában vagy főtt tojást, mivel ezek a melegítési művelet befejezése után is szétdurranhatnak.
 - d. Az égési sérülések elkerülése érdekében rázza fel a cuclisüvegeket vagy a bébiételeket vagy keverje össze azok tartalmát, a gyermekek etetése előtt pedig ellenőrizze az élelmiszerek hőmérsékletét.
5. Az áramütés veszélyének elkerülése érdekében cseréltesse ki a meghibásodott tápvezetéket a gyártóval, ügynökével vagy egy szakemberrel.

6. Az ételek felmelegedése után a tárolóedények nagyon felforrósodhatnak. Az ételek sütőből való kiemeléséhez használjon sütőkesztyűt, arcát és kezeit pedig védje a gőz általi sérülésektől.
7. A pattogatott kukoricát tartalmazó tasakokat lassan emelje meg a tál vagy a műanyag tárolóedény fedelével ellenkező szélénél fogva, és arcát védve, óvatosan nyissa ki.
8. A forgótányér törésének elkerülése érdekében:
 - a. Tisztítás előtt hagyja kihűlni a forgótányért.
 - b. Ne helyezzen forró ételt vagy tárolóedényt a hideg tányérra.
 - c. Ne helyezzen fagyott ételt vagy tárolóedényt a meleg tányérra.
9. Győződjön meg arról, hogy a készítés során az ételes tárolóedények nem érintik a sütő belső falait.
10. A mikrohullámos sütőben csakis mikrózható, megfelelő edényeket használjon.
11. Ne tároljon ételt vagy más tárgyakat a sütőben.
12. Ne kapcsolja be a mikrohullámú sütőt, ha belsejében nem található ételt vagy folyadékot tartalmazó edény, ez a sütő meghibásodásához vezethet.
13. A kombinációs módon való sütéskor a gyermekek csak felnőtt felügyelete mellett használhatják a sütőt, mivel ilyenkor nagyon nagy hőmérsékletek keletkeznek a sütőben.
14. A gyártó által nem javasolt tartozékok használata sérüléseket okozhat.
15. Ne használja a berendezést nyílt térben.
16. Őrizze meg ezeket az utasításokat.
17. FIGYELMEZTETÉS: A sütő ajtajának vagy az ajtó pakolásának meghibásodása vagy a sütő nem megfelelő működése esetén ne használja a készüléket mindaddig, amíg egy szakember meg nem javítja.
18. FIGYELMEZTETÉS: Szakképzett szerelőkön kívül mindenki más számára veszélyes olyan karbantartási vagy javítási műveletet végezni, amely a mikrohullámú energia kisugárzása elleni védelmet biztosító burkolat eltávolításával jár.
19. Füstszivárgás esetén csatlakoztassa le a készüléket a tápforrásról, a lángok elfojtása érdekében pedig tartsa csukva a sütő ajtaját.
20. Az italok mikrohullámú sütőben való melegítése a folyadékok tárolóedényből való hirtelen kiömléséhez vezethet, ezért kezelje óvatosan az edényeket.
21. A sütő ablakának tisztításához ne használjon dörzshatású tisztítószeret vagy fémszivacsot, mert ezek megkarcolhatják az ablak felületét vagy eltörhetik azt.
22. A mikrohullámú sütő izzója csak a gyártó által tervezett célokra használható.
23. A készüléket nem külső időzítő vagy távirányítás segítségével történő használatra tervezték.
24. Ezt a készüléket **csak háztartási használatra tervezték.**

25. A mikrohullámú sütő élelmiszerek és italok felmelegítésére szolgál. Étel vagy ruha szárítása, melegítőpárna, papucs, nedves szivacs, rongy vagy más hasonló tárgy melegítése sérülést, robbanást vagy tüzet okozhat.
26. A készüléket 8 év fölötti gyermekek és korlátozott fizikai, érzékszervi vagy mentális képességekkel rendelkező, illetve a megfelelő tapasztalattal és jártassággal nem rendelkező személyek csak felügyelet mellett használhatják, vagy ha felkészítették őket a készülék biztonságos használatára, illetve ha tisztában vannak a helytelen használat veszélyeivel. A gyermekeknek tilos játszani a készülékkel. A készülék tisztítását és karbantartását gyermekek nem végezhetik, kivéve, ha már elmúltak 8 évesek, és valaki felügyeli a tevékenységüket. Ne hagyja a készüléket és a tápkábelt 8 évesnél kisebb gyerekek számára elérhető helyen.
27. A készülék nem használható csökkent értelmi, érzékszervi, vagy fizikai képességű személyek által (gyermekeket is beleértve), vagy olyanok által, akik nem rendelkeznek a kellő mennyiségű tudással és tapasztalattal, csak felügyelet mellett, vagy ha a felügyeletért és a biztonságukért felelős személy megtanította őket a helyes használatra.
28. A gyerekekre figyelni kell, nem kell engedni, hogy a készülékkel játszanak.
29. A készülék nem tisztítható gőzmosóval.
30. Üzemelés közben a készülék ajtója és a külső felülete felforrósodhat.
31. FIGYELMEZTETÉS: Az elérhető alkatrészek használat során felforrósodhatnak. Tartsa távol a készüléktől a kisgyermekeket.
32. A használat során a készülék felforrósodik. Kerülje a sütő belsejében lévő melegítő elemek érintését.
33. A használat során a készülék felületei felforrósodhatnak.

IV. ÜZEMBEHELYEZÉS

1. Távolítsa el a csomagolóanyagokat. Ha a készülék védőfóliába van csavarva, használat előtt távolítsa el a fóliát. Figyelmesen ellenőrizze az esetleges sérüléseket. Meghibásodás észlelésekor, lépjen kapcsolatba a forgalmazóval vagy forduljon a gyártó javítóközpontjához.
2. A mikrohullámos sütőket száraz és nem korrodáló környezetbe kell elhelyezni, olyan hő- és nedvességforrásoktól távol, mint pl. fűtőtestek és víztartályok.
3. A sütő megfelelő szellőzésének biztosítása érdekében a készülék mögött, a készülék és a fal közt legalább 10 cm, a két oldal mellett legalább 5 cm, felette pedig legalább 20 cm szabad tér legyen. A készüléket a padlótól legalább 85 centiméter távolságra kell elhelyezni
4. Helyezze a sütőt tévé-, rádiókészülékektől vagy antennáktól legalább 5 m távolságba, mert gerjedést okozhatnak.
5. A készüléket úgy helyezze el, hogy dugasza elérhető legyen, a konnektor pedig legyen földelve.
6. A mikrohullámú sütőt mindig működtessük zárt ajtóval.
7. Ne helyezze a mikrohullámú sütőt szekrénybe. A mikrohullámú sütőt önálló készüléknek szánták.
8. Mivel a sütő belső falain ipari olajfoltok maradtak, megtörténhet, hogy első üzemeltetéskor jellegzetes szag érződik vagy akár füst bocsátódik ki. Ez normális jelenség, mely többszöri használat után eltűnik. Megfelelő levegőzés biztosítása érdekében, nyissa ki az ajtót vagy ablakot. Ezért, az első használat előtt, azt ajánljuk, hogy a forgóedényre tegyen egy csupor vizet, állítsa a készüléket nagy teljesítményre, és üzemeltesse néhányszor.

V. TISZTÍTÁS

A MIKROHULLÁMÚ SÜTŐ KARBANTARTÁSA

VIGYÁZAT!

Tisztítsa ki rendszeresen a sütőt, távolítsa el az ételmaradékokat.

FIGYELMEZTETÉS!

1. A tisztítás előtt áramtalanítsa a készüléket. A tisztítás alatt ne helyezze a készüléket vízbe vagy más folyadékba.
2. Ha nem tartja tisztán a sütőt, sérülhetnek a felületei, működési időtartama csökkenhet, akár veszélyes helyzetek is létrejöhetnek.
3. A készülék tisztításához ne használjon erős tisztítószeret, oldószeret, dörzsható tisztítószeret vagy fémszivacsot.
4. Ne távolítsa el a hullámvezető fedőlapját.
5. A mikrohullámú sütő belseje hosszas használat után kellemetlen szagokat bocsáthat ki. Ezek eltüntetésére az alábbi három módszert alkalmazhatja:
 - a. Helyezzen néhány szelet citromot egy csuporba, majd 2-3 percig működtesse a készüléket magas teljesítményen
 - b. Helyezzen a sütőbe egy csupor piros teát, majd melegítse fel a teát, a készüléket legnagyobb teljesítményre kapcsolva.
 - c. Helyezzen a sütőbe néhány narancshéjat, majd 1 percig üzemeltesse a készüléket a legnagyobb teljesítményen.
6. FIGYELMEZTETÉS: A készüléket nem üzemeltethetik gyermekek, kivéve, ha a biztonságáért felelős személy biztosítja számára a felügyeletet, és ismerteti az eszköz helytelen használatával járó veszélyeket.

TISZTÍTÁSRA VONATKOZÓ TANÁCSOK

Az ajtó tömítésre, a készülék belsejére és környező területeinek tisztítására vonatkozó részletek:

Külső rész:

A készülék külső részét törölje meg puha és nedves ronggyal.

Ajtó:

A sütő ajtaját és ablakát törölje meg nedves és puha ronggyal.

Törölje meg a tömítéseket és a környező részeket, távolítsa el a foltokat és cseppeket.

Törölje meg a vezérlőpanelt egy enyhén megnedvesített, puha törlővel.

Belső oldalak:

A készülék belsejét törölje ki nedves és puha ronggyal.

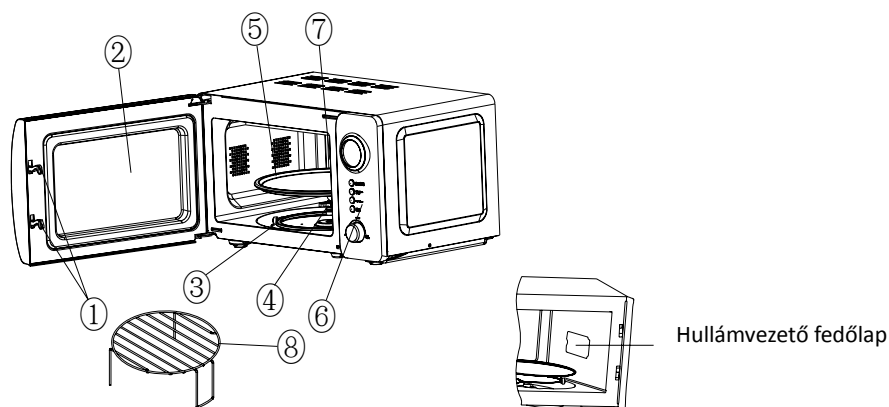
Törölje meg a hullámvezető fedőlapját, hogy eltüntesse a rajta lévő foltokat, szennyeződést.

Forgó tányér/Görgős gyűrű/Forgó tengely:

Mossa meg vízzel és semleges tisztítószerrel.

Öblítse le tiszta vízzel és törölje szárazra.

VI. A TERMÉK LEÍRÁSA



1) Ajtó zárrendszere

A mikrohullámú sütő ajtója megfelelően be kell legyen csukva ahhoz, hogy a készülék működjön.

2) Sütő ablak;

Lehetővé teszi a felhasználó számára a készítési folyamat követését.

3) Forgó tengely

A tengely az alatta található motor segítségével forgatja az üvegedényt

4) Görgős gyűrű

A forgó edény a görgős gyűrű kerekeire nehezedik, ez tartja fenn és egyensúlyozza a forgó edényt

5) Forgó edény

Az élelmiszeres edények a forgótányérra vannak helyezve, a forgó mozgás segít az élelmiszerek egyenletes melegítésében vagy elkészítésében

VIGYÁZAT!

- Legelőször a görgős gyűrűt helyezze fel.

- Helyezze a forgó edényt a forgó tengelyre és győződjön meg róla, hogy megfelelően beállította.

6) Kezelőpanel

Tanulmányozza a lenti részleteket (a kezelőpanel konfigurációja előzetes bejelentés nélkül megváltoztatható)

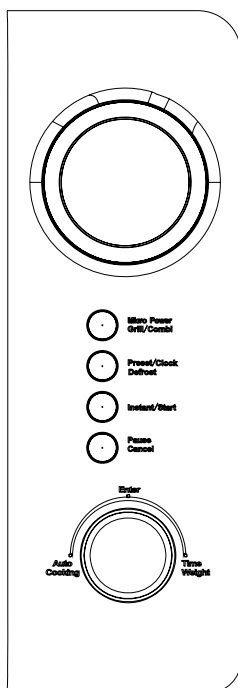
7) A hullámvezeték fedőlapja

A mikrohullámú sütő belsejében található, a kezelőpanel fala mellett.

8) Grillező rostély

Ne távolítsa el a hullámvezető fedőlapját.

VII. A KEZELŐPANEL HASZNÁLATA



1. KÉSZÍTÉS ELŐTT

A tápforráshoz való csatlakoztatás pillanatában a képernyő 3-szor villogva világítani kezd, majd a képernyőm a „:” jelzés villogni kezd, kérve a program és az óra beállítását.

2. AZ AUTO COOKING/ TIME.WEIGHT FORGÓ GOMB

Meghosszabbíthatja vagy lerövidítheti a főzési időtartamot, növelheti vagy csökkentheti a súlyt vagy működés közben az Auto cooking /Time.Weight gomb elfogatásával kiválaszthatja az automatikus főzési módot

3. AUTOMATIKUS EMLÉKEZTETŐ

Az előre meghatározott főzési folyamat befejezésekor, a kijelzőn megjelenik az End üzenet, a készülék három hangjelzést bocsát ki, amellyel értesíti az ételek sütőből való kivételére. Ha ez nem következik be, nyomja meg a Pause/Cancel gombot egyszer, vagy, ha a felhasználó nem nyitja ki a sütő ajtaját, a sütő három percenként hangjelzéseket bocsát ki.

5. AZONNALI ELKÉSZÍTÉS

Amikor a sütő standby üzemmódban van, nyomja meg az Instant/Start gombot, így a sütő egy percen keresztül nagy teljesítményen készíti el az ételt. Az Auto cooking/Time.Weight gomb csavarásával az elkészítési időt hosszabbra vagy rövidebbre állíthatja.

Megjegyzés: az azonnali elkészítés funkciót az alábbi körülmények mellett kell alkalmazni:

- Aktiválja az azonnali elkészítési módot 2 perces időtartamra, miután a sütő ajtaját bezárta.
- Aktiválja az azonnali elkészítési módot 2 perces időtartamra, miután lenyomta a Pause/Cancel gombot.
- Aktiválja az azonnali elkészítési módot 2 perces időtartamra, miután kiválasztotta a megfelelő elkészítési programot.

6. AZ ÓRA BEÁLLÍTÁSA

A Preset/Clock.Defrost gomb a felhasználó számára lehetővé teszi az aktuális időpont vagy az elkészítési idő tartamának beállítását, miután a berendezésnek a villamoshálózathoz történő csatlakoztatását követően a kijelzőn a villogó „:” jelzés jelenik meg. Ez a lépés átugorható, ha feleslegesnek tartja.

Példa: 12:30 óra beállítására		
	Lépések	Kijelző
1	A tápforráshoz való csatlakoztatást követően a jelzés villogni kezd.	:
2	Nyomja be és tartsa lenyomva a Preset /Clock.Defrost gombot három másodpercig	0:00
3	Forgassa az Auto Cooking/Time.Weight gombot az órabeállításához.	12:00
4	Nyomja meg ismét a Preset /Clock.Defrost gombot.	12:00
5	Forgassa az Auto Cooking/Time.Weight gombot a percek beállításához.	12:30
6	Nyomja meg újból a Preset /Clock.Defrost gombot vagy várjon 5 másodpercet, s az óra állandóan ki lesz jelezve.	

7. MIKROHULLÁM ÉS GRILL PROGRAM

Ez a funkció lehetővé teszi az ételeknek rostélyon történő elkészítését, sütését. Nyomja meg ezt a gombot, majd a kijelzőn a következők jelennek meg: 100P, 80P, 60, 40P, 20P, G, C.1, C.2.

Magas teljesítmény	100%-os mikrohullám teljesítmény. Gyors és mélységi hatáshoz
Közepesen magas teljesítmény	80%-os mikrohullám teljesítmény. Közepes elkészítéshez
Közepes teljesítmény	60%-os mikrohullám teljesítmény. Az élelmiszerek gőzben való elkészítéséhez
Közepesen csökkent teljesítmény	40%-os mikrohullám teljesítmény. Az élelmiszerek kiolvasztásához
Csökkent teljesítmény	20%-os mikrohullám teljesítmény. Az élelmiszerek melegen tartásához
G	Grill. A melegítő rész a sütés közben működni fog. Vékony sertéshús-szeletek, kolbászok és csirkeszárny grillezése esetén ezeket jól megpiríthatjuk.
C.1	Grillezés és mikrohullámmal való sütés kombináltan: az elkészítési idő 30%-a mikrózás, 70% grillezés.
C.2	Grillezés és mikrohullámmal való sütés kombináltan: az elkészítési idő 55%-a mikrózás, 45% grillezés.

VIGYÁZAT!

- a. A maximális működtetési idő 60 perc.
- b. Ne használja a mikrohullámú sütőt amikor üres.
- c. NE használja a grillrácst a mikrózás során.
- d. Amikor a mikrohullámokat maximális teljesítményen használja, a mikrohullámú sütő bizonyos idő után automatikusan csökkenti a teljesítményt a készülék élettartamának meghosszabítása érdekében.
- e. Ha működtetés közben szeretné a benne levő élelmet megfordítani, nyomja le egyszer az **Instant/Start** gombot és az előre beállított program szerint fogja a gép folytatni az elkészítést.
- f. Ha szeretné az előre beprogramozott idő előtt kivenni az élelmeket, nyomja le egyszer a **Pause/Cancel** gombot a beállított üzemmód törléséhez, így megelőzheti, hogy utólag akarjunk ellenére ebben az üzemmódban folytassa.
- g. A grill/kombi üzemmódban, a sütő minden alkatrésze (ide értve a grillrácst és az edényeket is) nagyon felforrósodhat. Amikor a sütőből kivesszük a különböző tárgyakat, legyünk nagyon óvatosak. Használjon konyhakesztyűt vagy edénytartót az égési sérülések elkerülése érdekében.

Példa: P80-on való működtetés 10 percen át.	
Lépések	Kijelző
A tápforráshoz való csatlakoztatást követően a jelzés villogni kezd.	:
Válassza ki a megfelelő mikrohullám-erősséget, a Micro Power/Grill.combi gomb többszöri lenyomása által	80P
Forgassa el az Auto cooking/Time.Weight gombot, ez által állítsa be a készítési időt.	10:00
Nyomja le az Instant/Start gombot, a kijelzőn elindul a visszaszámlálás, így követhető a működési idő.	

8. KIOLVASZTÁS

Ez a funkció lehetővé teszi az élelmiszerek kiolvasztását. Nyomja meg a **Preset.Clock/Defrost** gombot, majd a kijelzőn a következők jelennek meg: d.1, d.2 ,d.3.

d.1	Sertés- vagy marhahús kiolvasztásához, ha annak súlya 0,1 és 2,0 kg közt van.
d.2	Baromfiús kiolvasztásához, ha annak súlya 0,2 és 3,0 kg közt van.
d.3	Tenger gyümölcsei kiolvasztásához, ha annak súlya 0,1 és 0,9 kg közt van.

VIGYÁZAT!

- A fagyasztott élelmiszert a készülék működése közben meg kell fordítani annak érdekében, hogy egyenletesen kiolvadjon.
- Általában a kiolvasztási folyamat hosszabb mint a melegítési vagy sütési folyamat.
- A kiolvasztási folyamat akkor tekinthető lezártnak, ha a kiolvasztott élelmiszer késsel vágható.
- A mikrohullámok körülbelül 4 cm-re hatolnak be az élelmiszerfajták többségébe.
- A kiolvasztott termékeket mihamarabb fogyassza el. Nem ajánlott a hűtőbe való visszatételük vagy az újrafagyasztásuk

Példa: 0,4 kg baromfi kiolvasztására	
Lépések	Kijelző
A tápforráshoz való csatlakoztatást követően a jelzés villogni kezd.	:
Az élelmiszer típusának kiválasztásához nyomja meg a Preset /Clock. Defrost gombot.	d.2
Forgassa el az Auto Cooking/ Time. Weight gombot a kiolvasztandó élelmiszerek súlyának beállítása érdekében.	0,4
Az Instant/Start gomb megnyomásával indítsa el az elkészítést.	5:16
Miután a kiolvasztási idő fele eltelt, egymás után kétszer 3 sípolásból álló jelzés hangzik el, amely azt jelzi, hogy az élelmiszert meg kell fordítani. Nyissa ki az ajtót, fordítsa meg az élelmiszert, majd csukja vissza az ajtót. Ezután a kiolvasztás folytatásához nyomja meg ismét az Instant /Start gombot.	

9. AUTOMATIKUS FŐZÉS

A használat megkönnyítése érdekében a sütő automatikus főzési programmal is rendelkezik. Ha a kijelzőn a „:” jelzés jelenik meg, fordítsa el a gombot az óramutató járásával ellentétes irányba és a kijelzőn sorrendben az A-01, A-02 A-12 jelenik meg. Az automatikus főzőprogram beállítása után az „Enter” gomb lenyomásával az élelmiszer tömegét lehet beállítani.

Az ételek típusának és súlyának megfelelően válassza ki a megfelelő programot, és tartsa be szigorúan a lenti táblázat utasításait. Ellenkező esetben jelentős hatással lesz a főzésre.

Kijelző	Típus	Tömeg
A-01	Pattogatott kukorica	Két lehetőség áll rendelkezésre (85 g és 100 g)
A-02	Krumpli	Két lehetőség áll rendelkezésre (0,45 Kg és 0,65 Kg)
A-03	Zöldségek	Öt lehetőség áll rendelkezésre (0,1 , 0,2-----0,5 Kg)
A-04	Sertés-vagy marhahús	Hat lehetőség áll rendelkezésre (0,2 , 0,3-----0,7 Kg)
A-05	Hal	Hat lehetőség áll rendelkezésre (0,2 , 0,3-----0,7 Kg)
A-06	Szárnyas hús	Hat lehetőség áll rendelkezésre (0,2 , 0,3-----0,7 Kg)
A-07	Újramelegítés	Öt lehetőség áll rendelkezésre (0,2, 0,4-----1,0 Kg)
A-08	Italok	Két lehetőség áll rendelkezésre (250 ml és 500 ml)
A-09	Rizs	Öt lehetőség áll rendelkezésre (0,1 , 0,2-----0,5 Kg)
A-10	Laskafélék	Öt lehetőség áll rendelkezésre (0,1, 0,2-----0,5 Kg)
A-11	Kenyér	Öt lehetőség áll rendelkezésre (0,1, 0,2-----0,5 Kg)
A-12	Pizza	Két lehetőség áll rendelkezésre (1 szelet és 2 szelet)

VIGYÁZAT!

- a. Az ételek készítés előtti hőmérséklete 20-25 °C kell, hogy legyen. A termék készítés előtti kisebb vagy nagyobb hőmérséklete, a főzési idő növelését vagy csökkentését teszi szükségessé.
- b. Az ételek hőmérséklete, súlya és alakja jelentősen befolyásolja a főzés eredményét. A fenti feltételektől való eltérések estén, minden esetre külön meghatározhatja a főzési időtartamot.

Példa: 0,4 kg hal gőzben való főzésére		
Lépések		Kijelző
1.	A tápforráshoz való csatlakoztatást követően a jelzés villogni kezd.	:
2.	Fordítsa el a gombot, hogy a készülék a főzés programozási üzemmódra váltson.	
3.	A gomb elforgatásával válassza ki a főzési programot	A-05
4.	A megerősítés érdekében nyomja meg az Enter gombot	A-05
5.	A súly beállítása érdekében forgassa el az Auto cooking/Time. Weight gombot.	0,4
6.	Az Instant/Start gomb megnyomásával indítsa el az elkészítést.	

10. AUTOMATIKUS INDÍTÁS (IDŐZÍTŐ FUNKCIÓ)

Ha azt szeretné, hogy a program ne azonnal induljon, előre kiválaszthatja a programot és az automatikus bekapcsolási időt, így az választott program a meghatározott időben automatikusan elindul. A beállítás 2 lépésben történik:

- Az aktuális óra beállítása;
- Az elkészítési program és az elindítási idő beállítása.

VIGYÁZAT!

A kiválasztott program azonnali elindulásához nyomja meg az Instant/Start gombot; az automatikus indító funkció törléséhez pedig nyomja meg a Pause/Cancel gombot.

Példa: Feltételezzük, hogy az aktuális idő 12:30, ha azt akarja, hogy a készülék 14:20 órakor automatikusan elindítsa 100P mikrohullám teljesítményen 9 perc és 30 másodperc ideig a főzést, kövesse az alábbi lépéseket:

	Lépések	Kijelző
1	A tápforráshoz való csatlakoztatást követően a jelzés villogni kezd.	:
1.1	Nyomja be és tartsa lenyomva a Preset /Clock.Defrost gombot három másodpercig	0:00
1.2	Az Auto cooking/Time.Weight gomb elforgatásával állítsa be az órát.	12:00
1.3	Az időpont megerősítése érdekében nyomja meg újból a Preset/Clock.Defrost gombot.	12:00
1.4	Az Auto cooking/Time.Weight gomb elforgatásával állítsa be a perceket.	12:30
1.5	Nyomja meg újból a Preset/Clock.Defrost gombot vagy várjon 5 másodpercet, s az óra állandóan ki lesz jelezve.	12:30
2	Válassza ki az elkészítési programot és az elindítási időpontot.	
2.1	A Micro Power/Grill.combi gomb benyomásával válassza ki a teljesítmény erősségét.	100P
2.2	Az elkészítési idő kiválasztásához forgassa el az Auto cooking/Time. Weight gombot	9:30
2.3	Az aktuális idő kijelzéséhez való visszatéréshez nyomja meg és tartsa lenyomva 3 másodpercig a Preset/Clock.Defrost gombot.	
3	Válassza ki a kívánt elindítási időt. Ismételje meg a 1.2, 1.3, 1.4 pontok lépéseit	
4	Az időzítő program megerősítése érdekében nyomja meg a Preset/Clock.Defrost gombot. Aktiválta a programot, és az 14:20 órakor beindul.	
5	Az előre meghatározott indítási időpont ellenőrzéséhez nyomja meg a Preset/Clock.Defrost gombot.	

11. EGYMÁST KÖVETŐ FÁZISÚ FŐZÉS

A legjobb eredmények elérése érdekében, egyes receptek különböző programokat és főzési időtartamokat igényelnek. Az alábbiak alapján személyre szabhatja a programot:

Példa: 3 percig 100 P erősségen mikrózni, majd 9 percig a grillenezni szeretné az ételt. Ez a beállítás 2 lépésből áll.		
	Lépések	Kijelző
1	100P erősségű mikrohullámok 3 percig	
1.1	Az erősségi szint kiválasztásához nyomja meg a Micro Power/Grill.combi gombot.	100P
1.2	Az elkészítési idő kiválasztásához fordítsa el az Auto cooking/Time.Weight gombot.	3:00
2	Grillezés 9 percig.	
2.1	A grillező program kiválasztásához nyomja meg a Micro Power/Grill.combi gombot.	G
2,2	Az elkészítési idő kiválasztásához forgassa el az Auto cooking/Time. Weight gombot	9:00
3	Az Instant/Start gomb megnyomásával indítsa el az elkészítést.	

VIGYÁZAT!

- A mikrohullámon való készítés befejezésekor a sütő automatikusan átvált a grillezés üzemmódra.
- Legtöbb 4 egymás utáni elkészítési fázis választható ki.

12. GYERMEKZÁR FUNKCIÓ

Ezt a funkciót a kezelőpanel lezárásához (tisztítás közben ne legyen aktív) vagy a sütő gyermekek általi használatának megakadályozására használhatja. Ebben a funkcióban, egyik gomb sem működtethető.

A gyermekbiztos panel zárolásának módja: tartsa lenyomva 3 másodpercen keresztül a **Pause/Cancel** gombot.

A gyermekbiztos panel zárolásának feloldása: tartsa lenyomva 3 másodpercen keresztül a **Pause/Cancel** gombot.

VIII. MŰKÖDÉS

1) Csatlakoztassa a berendezést az elektromos tápegységhez.

-A dugasznak a hálózati aljzatba történő csatlakoztatása előtt bizonyosodjon meg róla, hogy az időzítő a „0” állásra van beállítva

- Ne zárja el a berendezés szellőztető nyílásait

2) Helyezze az élelmiszereket a forgó tálcára, majd csukja be az ajtót

- Az élelmiszereket mindig egy tárolóedényben kell a tálcára helyezni

3) Válassza ki a szükséges teljesítményszintet

4) Állítsa be az időzítőt

Amennyiben a kiválasztott elkészítési idő tartama rövidebb 10 percnél, forgassa el az időzítő gombját a 10 percet mutató állásra, majd forgassa ellentétes irányba addig, amíg az óhajtott időtartamot beállította.

5) Az elkészítési idő beállítása után a sütő működésbe lép. Amennyiben a berendezés működését meg akarja szakítani, nyissa ki az ajtaját, a folytatáshoz pedig csukja vissza.

6) Amikor az adott élelmiszer elkészítése befejeződött, a mikrohullámú sütő hangjelzést bocsát ki, majd a belsejében lévő lámpa kialszik.

Amennyiben az élelmiszereket még a beállított program vége előtt kiveszi a sütőből, bizonyosodjon meg róla, hogy a berendezés időzítője a „0” állásra van beállítva, annak érdekében, hogy a berendezés üresben történő használatát elkerülhesse.

IX. AZ EDÉNYEK HASZNÁLATÁRA VONATKOZÓ ÚTMUTATÓ

Azt javasoljuk, hogy a mikrohullámú sütőben való főzéshez csak megfelelő edényeket használjon. Általában a kerámiából, üvegből vagy hőálló műanyagból gyártott edények felelnek meg erre a célra. Soha ne használjon fémedényeket a mikrohullámú vagy a kombinációs főzéshez, mert fennáll a szikraképződés veszélye. Kiegészítő részletekért tanulmányozza az alábbi táblázatot:

Az edény anyaga	Mikrohullám	Megjegyzések
Hőálló kerámia	Igen	Ne használjon fémdíszítésű vagy mázas tálakat
Hőálló műanyag	Igen	Nem használható hosszú ideig
Hőálló üveg	Igen	
Műanyag fólia	Igen	Ne használja hús vagy bordaszelet készítésénél, mert a magas hőmérséklet károsíthatja a fóliát
Grillező rostély	Nem	
Fém edények	Nem	Ne használja mikrohullámú sütőben. A mikrohullámok nem képesek áthatolni a fémen.
Mázas edények	Nem	Alacsony hőálló képesség. Nem használhatóak magas hőmérsékleten való készítéshez.
Papír és bambuszfa	Nem	Alacsony hőálló képesség. Nem használhatóak magas hőmérsékleten való készítéshez.

X. A FŐZÉSRE VONATKOZÓ TANÁCSOK

Az alábbi tényezők befolyásolhatják a készítés eredményét.

Az ételek elrendezése

Az ételek vastagabb felét helyezze a forgótányér széle fele, a vékonyabb részüket pedig a közepére. Ha lehetőség van rá, ne helyezze egymásra az ételeket.

A elkészítés időtartama

A folyamatot egy rövidebb készítési időtartammal kezdje, figyelje meg az eredményt, majd szükség esetén növelje az időtartamot. A túl hosszú főzési időtartam füstölést vagy odaégést eredményezhet.

Az ételek egyenletes elkészítése

Az olyan élelmiszereket, mint a baromfi, hamburger vagy sülték, készítés közben meg kell forgatni.

Az étel típusától függően, szükség esetén, az edényben egyszer vagy kétszer kavargassa meg a szélétől a közepe felé.

Hagyja az ételeket „összeérni”

Az főzés befejezése után, hagyja az ételeket megfelelő ideig a sütőben, hogy az ízek „összeérjenek”, és hogy fokozatosan hűljön ki.

Az ételek ellenőrzése

Ellenőrizze az ételek színét és állagát, hogy meggyőződjön arról, hogy megfelelő módon elkészültek:

- Ellenőrizze, hogy a készítménynek nem csak a széle, hanem az egész felülete gőzöl
- Ellenőrizze, hogy a baromfi ízletei könnyen mozgathatók.
- Győződjön meg arról, hogy a disznó- és a baromfi hús jól elkészült
- Győződjön meg arról, hogy a hal nem áttetsző és villával könnyen darabolható

Csak sütéshez való tál használata

Sütéshez való tál vagy önmelegedő edény használata esetén, a forgó tányér és a görgős gyűrű megrongálódásának elkerülése végett helyezzen ezek alá mindig egy hőálló szigetelőt, pl. egy porcelán tányért.

Műanyag fólia használata

Ha magas zsírtartalmú ételt készít, ne hagyja a fóliát az étellel érintkezni, mert megolvadhat.

Megfelelő műanyag edények használata

Előfordulhat, hogy egyes mikrohullámmal főzésre alkalmas műanyag tálak nem felelnek meg nagy zsír- vagy cukor tartalmú ételek készítésére. Ugyanakkor ne haladja meg az edények használati kézikönyvében feltüntetett előmelegítési időtartamot.

XI. KARBANTARTÁS

JAVÍTÁSOK

Mielőtt szakembert hívná, ellenőrizze az alábbiakat:

1. Helyezzen a sütőbe egy pohár vizet (kb. 150ml) egy üveg mérőpohárba és csukja be a sütő ajtaját. Ha az ajtót megfelelően becsukta, a sütő égője kialszik. Hagyja a sütőt egy percig működni.

2. Kigyúl a sütő égője?

3. Működik a ventilátor?

(Tartsa a kezét a sütő hátsó oldalánál található szellőzőnyílásokhoz.)

4. Forog a forgótányér?

(A forgótányér az óramutató járásával azonos vagy ellentétes irányban forog. Ez normális jelenség.)

5. A sütő belsejében forró a víz?

Ha a fenti kérdések bármelyikére „NEM” a válasz, kérjük, ellenőrizze a fali csatlakozót és a lakásban lévő áramkör biztosítótábláját.

Ha a fali csatlakozó és az áramkör megfelelően működik, LÉPJEN KAPCSOLATBA A LEGKÖZELBBI SZAKSZERVÍZZEL.

JAVÍTÁSSAL KAPCSOLATOS ÓVINTÉZKEDÉSEK

Figyelem: MIKROHULLÁM KISUGÁRZÁS

1. A magas feszültségű kondenzátorban villamos áram található a tápforrásról való lecsatlakoztatás után is. Zárja rövidre a magasfeszültségű kondenzátor negatív pólusát a sütő vázával (használjon egy csavarhúzó), hogy áramtalanítsa, mielőtt hozzáér.

2. A javítás elvégzése alatt az alábbi alkotóelemek cserélhetők ki, amelyek elektromos feszültsége 250 V feletti.

- Magnetron
- Magas feszültségű transzformátor
- Magas feszültségű kondenzátor
- Magas feszültségű dióda
- Magas feszültségű biztosíték

3. A fent leírt körülmények a mikrohullámú energia-kisugárzás túlzott hatásának való kitételhez vezethetnek:

A magnetron nem megfelelő beszerelése;

Az ajtó elzáró rendszerének, az ajtópántnak vagy az ajtónak a helytelen felszerelése;

A kapcsoló helytelen felszerelése;

Az ajtó, az ajtó tömítés vagy a burkolat megsérültek.

A termék helyes megsemmisítése

Ez a jelzés azt jelenti, hogy a terméket az EU területén nem szabad más háztartási hulladékkal együtt kidobni. A szabálytalan hulladékba helyezés által okozott környezet- és egészségkárosodás megelőzése érdekében ezeket a tárgyakat különítse el a többi hulladéktól, és felelősségteljesen gondoskodjon az újrahasznosításukról az anyagi erőforrások fenntartható újrafelhasználásának elősegítése érdekében. Az újrahasznosítás érdekében, kérjük, forduljon a gyűjtőközpontokhoz vagy vegye fel a kapcsolatot a forgalmazóval, ahonnan a terméket vásárolta. Ily módon a terméket a környezetre nézve biztonságos körülmények közt újrahasznosítják.

XII. TECHNIKAI LEÍRÁS

Teljesítmény	700W
Feszültség:	230V~ 50Hz
Porgyűjtő	20 L



A hulladékok környezetfelelős eltávolítása

Segíthet a környezet védelmében!

Kérjük, tartsa be a helyi rendelkezéseket: a nem működő elektromos berendezéseket a használt elektromos hulladékokat gyűjtő központba szolgáltatassa be.



A HEINNER a **Network One Distribution SRL(KFT)** társaság által bejegyzett védjegy. A többi márkajelzés és a termékek megnevezése kereskedelmi vagy az illető birtoklók által bejegyzett márkanevek.

A műszaki leírások egyik része sem reprodukálható semmilyen formában és semmilyen módon, és nem használható fel fordításra, átváltoztatásra vagy alkalmazásra a NETWORK ONE DISTRIBUTION társaság előzetes beleegyezése nélkül.

Copyright © 2013 Network One Distribution. Minden jog fenntartva.

www.heinner.com, <http://www.nod.ro>

<http://www.heinner.com>, <http://www.nod.ro>



A terméket az Európai Közösség előírásainak és jogszabályainak megfelelően tervezték és gyártották.

Importőr: **Network One Distribution**

Marcel Iancu utca, 3-5 szám, Bukarest (București), Románia

Tel: +40 21 211 18 56, www.heinner.com, www.nod.ro

