

# REFRIGERATOR

Model:

**HF-HM90E++/HF-HM90SE++**



- Refrigerator
- Total capacity: 90 L
- Energy class: E

**HEINNER**

## 1. INTRODUCTION

Please read the instructions carefully and keep the manual for future information.

This manual is designed to give all necessary instructions concerning installation, use and maintenance of the unit. In order to operate the unit correctly and safely, please read this instruction manual carefully before installation and use.

## 2. CONTENT OF YOUR PACKAGE

- ➔ Refrigerator
- ➔ User manual
- ➔ Certificate of warranty

## 3. SAFETY INFORMATION

In the interest of your safety and to ensure the correct use, before installing and first using the appliance, read this user manual carefully, including its hints and warnings. To avoid unnecessary mistakes and accidents, it is important to ensure that all people using the appliance are thoroughly familiar with its operation and safety features. Save these instructions and make sure that they remain with the appliance if it is moved or sold, so that everyone using it through its life will be properly informed on appliance use and safety.

For the safety of life and property keep the precautions of these user's instructions as the manufacturer is not responsible for damages caused by omission.

### Children and vulnerable people safety

- This appliance can be used by children aged from 8 years and above and persons with reduced physical, sensory or mental capabilities or lack of experience and knowledge if they have been given supervision or instruction concerning use of the appliance in a safe way and understand the hazards involved.
- Children should be supervised to ensure that they do not play with the appliance.
- Cleaning and user maintenance shall not be made by children unless they are aged from 8 years and above and supervised.
- Keep all packaging well away from children. There is risk of suffocation.
- If you are discarding the appliance pull the plug out of the socket, cut the connection cable (as close to the appliance as you can) and remove the door to prevent playing children to suffer electric shock or to close themselves into it.
- If this appliance featuring magnetic door seals is to replace an older appliance having a spring lock (latch) on the door or lid, be sure to make that spring lock unusable before you discard the old appliance. This will prevent it from becoming a death trap for a child.
- Children aged from 3 to 8 years are allowed to load and unload refrigerating appliances (this clause applies only to the EU region).

### General safety

**Warning!** Keep ventilation openings, in the appliance enclosure or in the built-in structure, clear of obstruction.

**Warning!** Do not use mechanical devices or other means to accelerate the defrosting process, other than those recommended by the manufacturer.

**Warning!** Do not damage the refrigerant circuit.

**Warning!** Do not use other electrical appliances (such as ice cream makers) inside of refrigerating appliances, unless they are approved for this purpose by the manufacturer.

**Warning!** Do not touch the light bulb if it has been on for a long period of time because it could be very hot.

**Warning!** When positioning the appliance, ensure the supply cord is not trapped or damaged.

**Warning!** Do not locate multiple portable socket-outlets or portable power supplies at the rear of the appliance.

- Do not store explosive substances such as aerosol cans with a flammable propellant in this appliance.
- The refrigerant isobutane (R600a) is contained within the refrigerant circuit of the appliance, a natural gas with a high level of environmental compatibility, which is nevertheless flammable.
- During transportation and installation of the appliance, be certain that none of the components of the refrigerant circuit become damaged.
  - avoid open flames and sources of ignition
  - thoroughly ventilate the room in which the appliance is situated
- It is dangerous to alter the specifications or modify this product in any way. Any damage to the cord may cause a short circuit, fire and/or electric shock.
- This appliance is intended to be used in household and similar applications as:
  - staff kitchen areas in shops, offices and other working environments;
  - farm houses and by clients in hotels, motels and other residential type environments;
  - bed and breakfast type environments;
  - catering and similar non(etail applications.

**Warning!** Any electrical components (plug, power cord, compressor and etc.) must be replaced by a certified service agent or qualified service personnel.

**Warning!** The light bulb supplied with this appliance is a “special use lamp bulb” usable only with the appliance supplied. This “special use lamp” is not usable for domestic lighting. (if there is a light in the compartment)

- Power cord must not be lengthened.
- Make sure that the power plug is not squashed or damaged by the back of the appliance. A squashed or damaged power plug may overheat and cause a fire.
- Make sure that you can come to the mains plug of the appliance.
- Do not pull the mains cable.
- If the power plug socket is loose, do not insert the power plug. There is a risk of electric shock or fire.
- You must not operate the appliance without the lamp.
- This appliance is heavy. Care should be taken when moving it.
- Do not remove nor touch items from the freezer compartment if you hands are damp/wet, as this could cause skin abrasions or frost/freezer burns.
- Avoid prolonged exposure of the appliance to direct sunlight.



#### **Warning! Risk of fire**

If the refrigerant circuit should be damaged:

- Avoid opening flames and sources of ignition.
- Thoroughly ventilate the room in which the appliance is situated.



**Warning!** During using, service and disposal the appliance, please pay attention to symbol similar as left side, which is located on rear of appliance (rear panel or compressor) and with yellow or orange color. It's risk of fire warning symbol. There are flammable materials in refrigerant pipes and compressor. Please be far away fire source during using, service and disposal.

## Daily use

- Do not put hot on the plastic parts in the appliance.
- Do not place food products directly against the rear wall.
- Frozen food must not be re-frozen once it has been thawed out.
- Store pre-packed frozen food in accordance with the frozen food manufacturer's instructions.
- Appliances manufactures storage recommendations should be strictly adhered to. Refer to relevant instructions.

- Do not place carbonated or fizzy drinks in the freezer compartment as it creates pressure on the container, which may cause it to explode, resulting in damage to the appliance.
- Ice lollies can cause frost burns if consumed straight from the appliance.

## Care and cleaning

- Before maintenance, switch off the appliance and disconnect the mains plug from the mains socket.
- Do not clean the appliance with metal objects.
- Do not use sharp objects to remove frost from the appliance. Use a plastic scraper.<sup>1)</sup>
- Regularly examine the drain in the refrigerator for defrosted water. If necessary, clean the drain. If the drain is blocked, water will collect in the bottom of the appliance.<sup>2)</sup>

1) If there is a freezer compartment

2) If there is a fresh-food storage compartment

## Installation

**Important!** For electrical connection carefully follow the instructions given in specific paragraphs.

- Unpack the appliance and check if there are damages on it. Do not connect the appliance if it is damaged. Report possible damages immediately to the place you bought it. In that case retain packing.
- It is advisable to wait at least four hours before connecting the appliance to allow the oil to flow back in the compressor.
- Adequate air circulation should be around the appliance, lacking this leads to overheating. To achieve sufficient ventilation, follow the instructions relevant to installation.
- Wherever possible the spacers of the product should be against a wall to avoid touching or catching warm parts (compressor, condenser) to prevent possible burn.
- The appliance must not be located close to radiators or cookers.
- Make sure that the mains plug is accessible after the installation of the appliance.

## Service


- Any electrical work required to do the servicing of the appliance should be carried out by a qualified electrician or competent person.
- This product must be serviced by an authorized Service Center, and only genuine spare parts must be used.

## Energy saving

- Don't put hot food in the appliance.
- Don't pack food close together as this prevents air circulating.
- Make sure food do not touch the back of the compartment(s).
- If electricity goes off, do not open the door(s).
- Don't open the door(s) frequently.
- Don't keep the door(s) open for too long time.
- Don't set the thermostat on exceeding cold temperatures.
- All accessories, such as drawers, shelves, door balconies should be kept in original place for lower energy consumption.

## Environment protection & packing materials

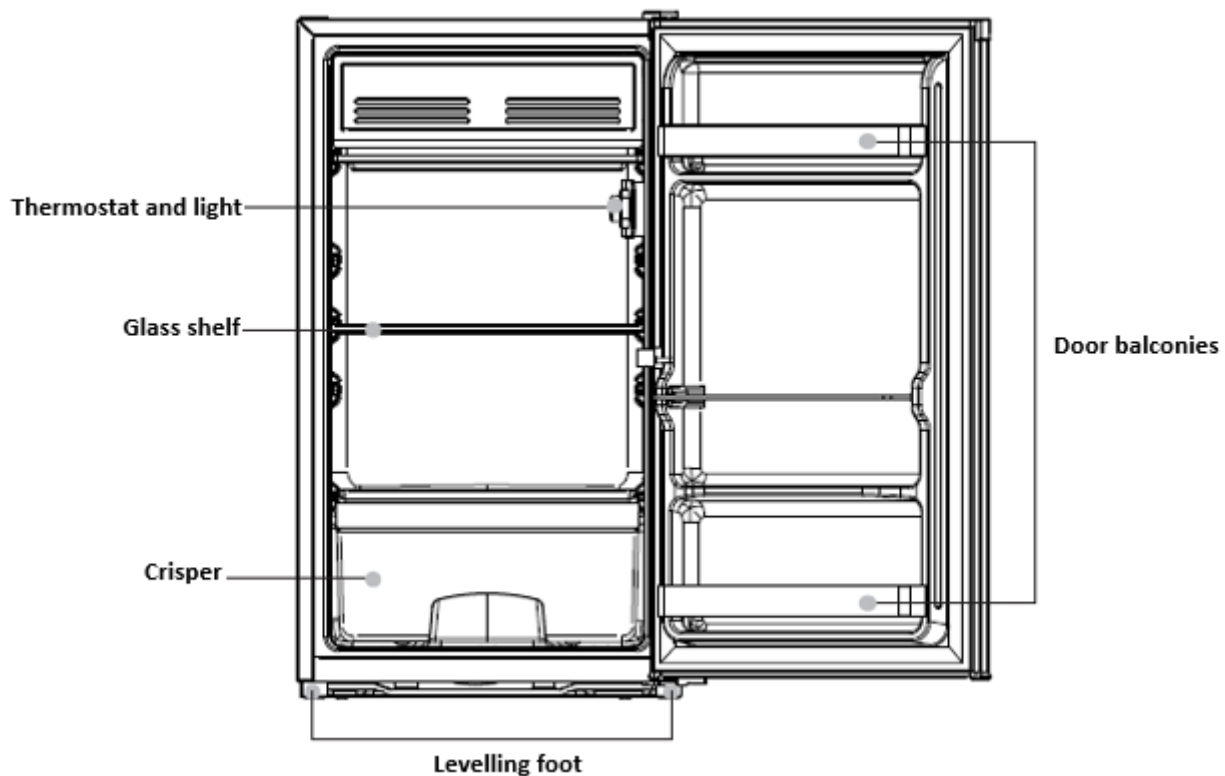
This appliance does not contain gasses which could damage the ozone layer, in either its refrigerant circuit or insulation materials. The appliance shall not be discarded together with the urban refuse and rubbish. The

insulation foam contains flammable gases: the appliance shall be disposed according to the appliance regulations to obtain from your local authorities. Avoid damaging the cooling unit, especially the heat exchanger. The materials used on this appliance marked by the symbol  are recyclable. The materials with the symbol are recyclable. Dispose the packaging in a suitable collection containers to recycle it.

## Disposal of the appliance

- Disconnect the mains plug from the mains socket.
- Cut off the mains cable and discard it.

## 4. PRODUCT DESCRIPTION



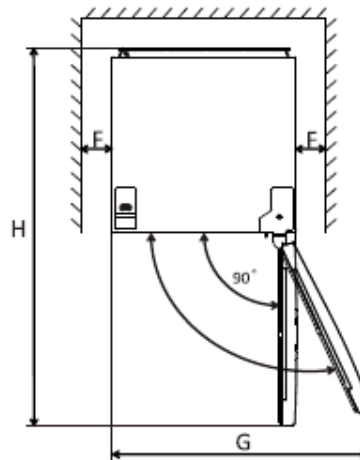
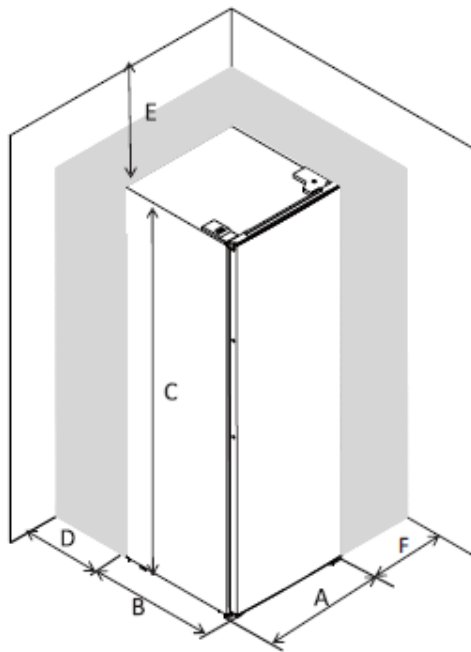
To get the best energy efficiency of this product, please place all shelves, drawers on their original position as the illustration.

Note: Above picture is for reference only. Real appliance probably is different.

## 5. INSTALLATION

### Space requirement

- Select a location without direct exposure to sunlight.
- Select a location with enough space for the refrigerator doors to open easily.
- Select a location with level (or nearly level) flooring.
- Allow sufficient space to install the refrigerator on a flat surface.
- Allow clearance to the right, left, back and top when installing. This will help reduce power consumption and keep your energy bills lower.
- Keep at least 50 mm gap at two sides and back.



A	480
B	450
C	850
D	min=50
E	min=50
F	min=50
G	960
H	930

## Positioning

Install this appliance at a location where the ambient temperature corresponds to the climate class indicated on the rating plate of the appliance:

For refrigerating appliances with climate class:

- extended temperate: this refrigerating appliance is intended to be used at ambient temperatures ranging from 10°C to 32°C (SN);
- temperate: this refrigerating appliance is intended to be used at ambient temperatures ranging from 16°C to 32°C (N);
- subtropical: this refrigerating appliance is intended to be used at ambient temperatures ranging from 16°C to 38°C (ST);
- tropical: this refrigerating appliance is intended to be used at ambient temperatures ranging from 16°C to 43°C (T).

## Location

The appliance should be installed well away from sources of heat such as radiators, boilers, direct sunlight etc. Ensure that air can circulate freely around the back of the cabinet. To ensure best performance, if the appliance is positioned below an overhanging wall unit, the minimum distance between the top of the cabinet and the wall unit must be at least 50 mm. Ideally, however, the appliance should not be positioned below overhanging wall units. Accurate leveling is ensured by one or more adjustable feet at the base of the cabinet.

This refrigerating appliance is not intended to be used as a built-in appliance.

**Warning!** It must be possible to disconnect the appliance from the mains power supply; the plug must therefore be easily accessible after installation.

## Electrical connection

Before plugging in, ensure that the voltage and frequency shown on the rating plate correspond to your domestic power supply. The appliance must be earthed. The power supply cable plug is provided with a contact for this purpose. If the domestic power supply socket is not earthed, connect the appliance to a separate earth in compliance with current regulations, consulting a qualified electrician.

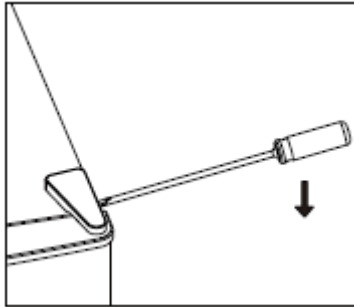
The manufacturer declines all responsibility if the above safety precautions are not observed. This appliance complies with the E.E.C. Directives.

## Door reversibility

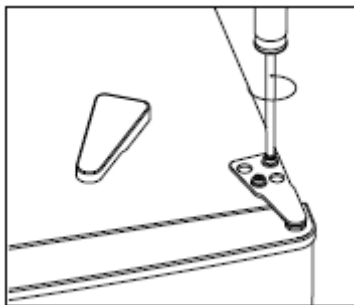
Tool required: Philips screwdriver, Flat bladed screwdriver, hexagonal spanner.

- Ensure the unit is unplugged and empty.
- To take the door off, it is necessary to tilt the unit backwards. You should rest the unit on something solid so that it will not slip during the door reversing process.
- All parts removed must be saved to do the reinstallation of the door. Do not lay the unit flat as this may damage the coolant system.
- It's better that 2 people handle the unit during assembly.

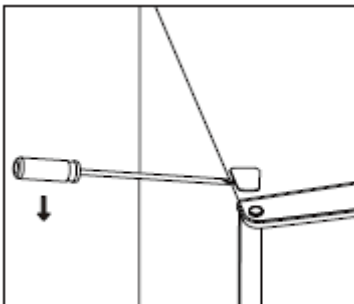
1. Remove the top right hinge cover



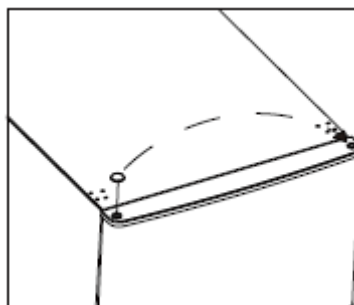
2. Undo the screws. Then remove the hinge bracket.



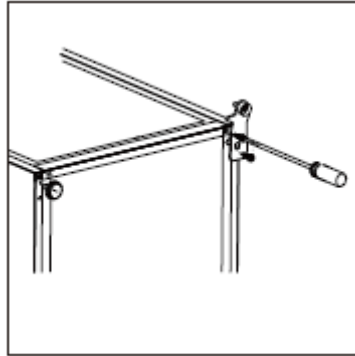
3. Remove the top left screw cover.



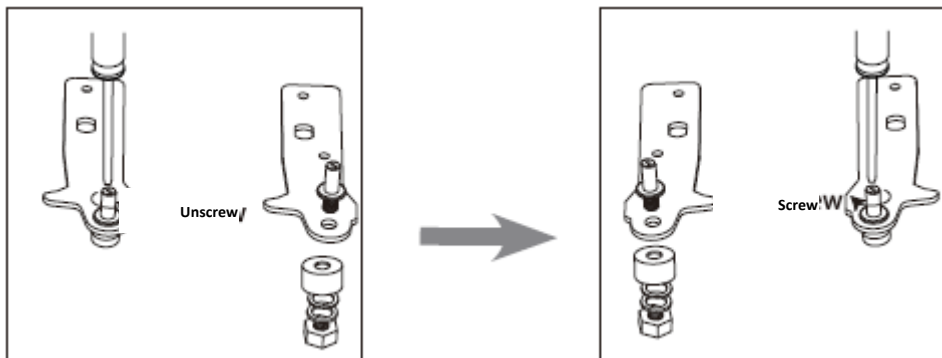
4. Move the core cover from left side to right side. And then lift the upper door and place it on a padded surface to prevent it from scratching.



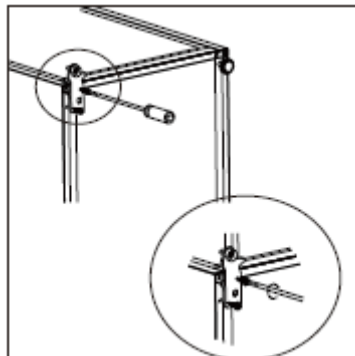
5. Unscrew bottom hinge. Then remove the adjustable feet from another side.



6. Unscrew and remove the bottom hinge pin with flat screw drivers, turn the bracket over and replace the pin.

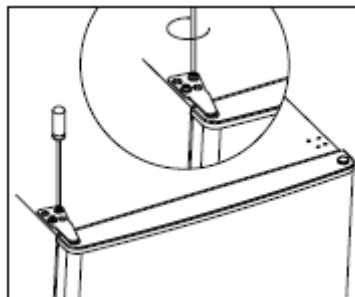


7. Refit the bracket fitting the bottom hinge pin. Replace the adjustable foot.



8. Place the door back on. Ensure the door is aligned horizontally and vertically so that the seals are closed on all sides before finally tightening the top hinge.

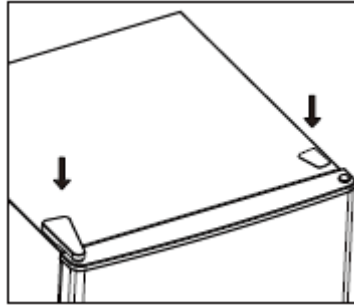
9. Insert the hinge bracket and screw it to the top of the unit.



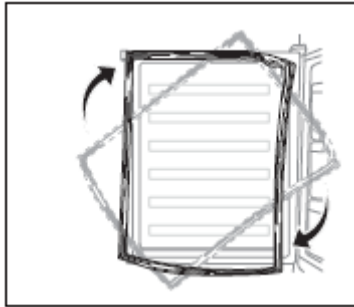
10. Use a spanner to tighten it if necessary.



11. Put the hinge cover and the screw cover back.

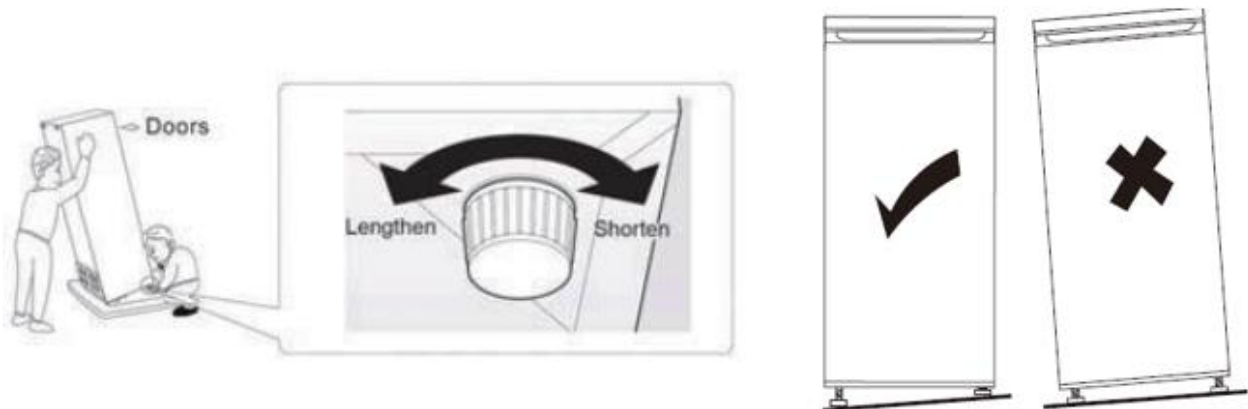


12. Detach the Fridge and the Freezer door gaskets and then attach them after rotating.



## Levelling the unit

To do this adjust the two levelling feet at front of the unit. If the unit is not level, the doors and magnetic seal alignments will not be covered properly.



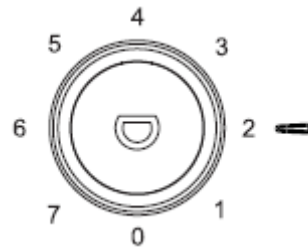
## 6. CONTROL PANEL

### Cleaning the interior

Before using the appliance for the first time, wash the interior and all internal accessories with lukewarm water and some neutral soap to remove the typical smell of a brand-new product. Important! Do not use detergents or abrasive powders, as these will damage the finish.

### Temperature setting

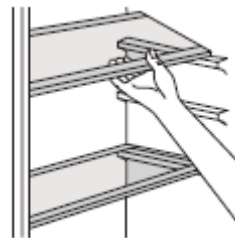
- Plug on your appliance. The internal temperature is controlled by a thermostat. There are 8 settings. 1 is warmest setting and 7 is coldest setting and 0 is to turn off the appliance.
- The appliance may not operate at the correct temperature if it is in a particularly hot or if you open the door often.



## 7. DAILY USE

### Movable shelf

The shelf can be moved to suitable positions.



### Positioning the door balconies

To store food or beverage with different size, the door balconies can be placed at different height. Follow below process to adjust the shelves.

Step 1: Pull the balcony to be free.

Step 2: Select suitable position and press the balcony to two convex plates until it is totally blocked.

### Vegetable drawer

The drawer is suitable for storing fruit and vegetables. It can be pull out freely.

### Hints for fresh food refrigeration

To obtain the best performance:

- Do not store warm food or evaporating liquids in the refrigerator.
- Do cover or wrap the food, particularly if it has a strong favor.
- Position food so that air can circulate freely around it.

### Hints for refrigeration

Useful hints:

- Make (all types): wrap in polythene bags and place on the glass shelves above the vegetable drawer.
- For safety, store in this way only one or two days at the most.
- Cooked foods, cold dishes, etc.: these should be covered and may be placed on any shelf.
- Fruit and vegetables: these should be thoroughly cleaned and placed in the special drawer(s) provided.
- Butter and cheese: these should be placed in special airtight containers or wrapped in aluminum foil or polythene bags to exclude as much air as possible.
- Milk bottle: these should have a cap and should be stored in the balconies on the door.
- Bananas, potatoes, onions and garlic, if not packed, must not be kept in the fridge.

To avoid contamination of food, please respect the following instructions:

- Opening the door for long periods can cause a significant increase of the temperature in the compartments of the appliance.
- Clean regularly surfaces that can come in contact with food and accessible drainage systems.
- Store raw meat and fish in suitable containers in the refrigerator, so that it is not in contact with or drip onto other food.
- Two-star frozen-food compartments are suitable for storing pre-frozen food, storing or making ice cream and making ice cubes.
- One-, two- and three-star compartments are not suitable for the freezing of fresh food.

Note: Please store different foods according to the compartments or target storage temperature of your purchased products.

- If the appliance is left empty for long periods, switch off, defrost, clean, dry, and leave the door open to prevent mould developing within the appliance.

Order	Compartments TYPE	Target storage temp. [°C]	Appropriate food
1	Fridge	+2≤+6	Eggs, cooked food, packaged food, fruits and vegetables, dairy products, cakes, drinks and other foods are not suitable for freezing.
2	(***)*-Freezer	≤-18	Seafood (fish, shrimp, shellfish), freshwater aquatic products and meat products (recommended for 3 months, the longer the storage time, the worse the taste and nutrition), suitable for frozen fresh food.
3	***-Freezer	≤-18	Seafood (fish, shrimp, shellfish), freshwater aquatic products and meat products (recommended for 3 months, the longer the storage time, the worse the taste and nutrition), are not suitable for frozen fresh food.
4	** -Freezer	≤-12	Seafood (fish, shrimp, shellfish), freshwater aquatic products and meat products (recommended for 2 months, the longer the storage time, the worse the taste and nutrition), are not suitable for frozen fresh food.
5	*-Freezer	≤-6	Seafood (fish, shrimp, shellfish), freshwater aquatic products and meat products (recommended for 1 months, the longer the storage time, the worse the taste and nutrition), are not suitable for frozen fresh food.
6	0-star	-6≤0	Fresh pork, beef, fish, chicken, some packaged processed foods, etc. (Recommended to eat within the same day, preferably no more than 3 days). Partially encapsulated processed foods (non-freezable foods)
7	Chill	-2≤+3	Fresh/frozen pork, beef, chicken, freshwater aquatic products, etc.(7 days below 0 °C and above 0 °C is recommended for consumption within that day, preferably no more than 2 days). Seafood (less than 0 for 15 days, it is not recommended to store above 0 °C).
8	Fresh Food	0≤+4	Fresh pork, beef, fish, chicken, cooked food, etc. (Recommended to eat within the same day, preferably no more than 3 days).
9	Wine	+5≤+20	Red wine, white wine, sparkling wine, etc.

## 8. CLEANING & DEFROSTING

### Cleaning

For hygienic reasons the appliance interior, including interior accessories, should be cleaned regularly.

**Caution!** The appliance may not be connected to the mains during cleaning. Danger of electrical shock! Before cleaning switch off the appliance and remove the plug from the mains or switch off or turn out the circuit breaker or fuse. Never clean the appliance with a steam cleaner. Moisture could accumulate in electrical components, danger of electrical shock! Hot vapors can lead to the damage of plastic parts. The appliance must be dry before it is placed back into service.

**Important!** Ethereal oils and organic solvents can attack plastic parts, e.g. lemon juice or the juice from orange peel, butyric acid, cleanser that contain acetic acid.

- Do not allow such substances to come into contact the appliance parts.
- Do not use any abrasive cleaners.
- Remove the food from the freezer. Store them in a cool place, well covered.
- Switch the appliance off and remove the plug from the mains or switch off or turn out the circuit breaker or fuse.
- Clean the appliance and the interior accessories with a cloth and lukewarm water. After cleaning wipe with fresh water and rub dry.
- Accumulation of dust at the condenser increases energy consumption. For this reason, carefully clean the condenser at the back of the appliance once a year with a brush or a vacuum cleaner.
- After everything is dry place appliance back into service.

### Defrosting

The evaporator, however, will become progressively covered with frost. This should be removed.

Never use sharp metal tools to scrape off frost from the evaporator as you could damage it.

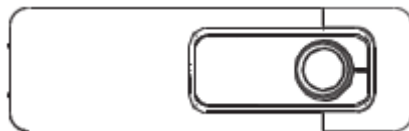
However, when the ice becomes very thick on the evaporator, complete defrosting should be carried out as follows:

- Pull out the plug from the socket.
- Remove all store food, wrap it in several layers of newspaper and put it in a cool place.
- Keep the door open and placing a basin underneath of the appliance to collect the defrost water.
- When defrosting is completed, dry the interior thoroughly.
- Replace the plug in the power socket to tun the appliance again.

## 9. TROUBLESHOOTING

### Replacing the lamp

The internal light is a LED type. To replace the lamp, please contact a qualified technician.



**Caution!** Before troubleshooting, disconnect the power supply. Only a qualified electrician of competent person must do the troubleshooting that is not in this manual.

**Important!** There are some sounds during normal use (compressor, refrigerant circulation).

Problem	Possible cause	Solution
Appliance does not work	Temperature regulation knob is set at number "0".	Set the knob at other number to switch on the appliance.
	Mains plug is not plugged in or is loose	Insert mains plug.
	Fuse has blown or is defective	Check fuse, replace if necessary.
	Socket is defective	Mains malfunctions are to be corrected by an electrician.
The food is too warm	Temperature is not properly adjusted.	Please look in the initial Temperature Setting section.
	Door was open for an extended period.	Open the door only as long as necessary.
	A large quantity of warm food was placed in the appliance within the last 24 hours.	Turn the temperature regulation to a colder setting temporarily.
	The appliance is near a heat source.	Please look in the installation location section.
Appliance cools too much	Temperature is set too cold.	Turn the temperature regulation knob to a warmer setting temporarily.
Unusual noises	Appliance is not level.	Re-adjust the feet.
	The appliance is touching the wall or other objects.	Move the appliance slightly.
	A component, e.g. a pipe, on the rear of the appliance is touching another part of the appliance or the wall.	If necessary, carefully bend the component out of the way.

If the malfunction shows again, contact the Service Center.

#### CUSTOMER CARE AND SERVICE

Always use original spare parts.

When contacting our Authorised Service Centre, ensure that you have the following data available: Model and Serial Number.

The information can be found on the rating plate. Subject to change without notice.

#### TECHNICAL DATA

The technical information is situated in the rating plate on the internal side of the appliance and on the energy label.

The QR code on the energy label supplied with the appliance provides a web link to the information related to the performance of the appliance in the EU EPREL database.

Keep the energy label for reference together with the user manual and all other documents provided with this appliance.

It is also possible to find the same information in EPREL using the link <https://eprel.ec.europa.eu> and the model name and product number that you find on the rating plate of the appliance.

To access information about your product in the EPREL portal, you can scan the codes below:

HF-HM90E++



HF-HM90SE++



Thank you for purchasing this product. If you need support with your product, visit our website using the links below.

**Get User manuals:** <https://www.heinner.ro>

**Get Service information:** <https://www.heinner.ro>



#### Environment friendly disposal

You can help protect the environment!

Please remember to respect the local regulations: hand in the non-working electrical equipment's to an appropriate waste disposal center.



**HEINNER** is a registered trademark of **Network One Distribution SRL**. Other brands and product names are trademarks or registered trademarks of their respective holders.

No part of the specifications may be reproduced in any form or by any means or used to make any derivative such as translation, transformation, or adaptation without permission from NETWORK ONE DISTRIBUTION.

Copyright © 2013 Network One Distribution. All rights reserved.

[www.heinner.com](http://www.heinner.com), <http://www.nod.ro>



This product is in conformity with norms and standards of European Community



Importer: **Network One Distribution**

Marcel Iancu Street, 3-5, Bucharest, Romania

Tel: +40 21 211 18 56, [www.heinner.com](http://www.heinner.com) , [www.nod.ro](http://www.nod.ro)

# FRIGIDER

Model:

**HF-HM90E++/HF-HM90SE++**



- Frigider
- Capacitate totală: 90 L
- Clasa de eficiență energetică: E

**HEINNER**

## 1. INTRODUCERE

Vă rugăm să citiți instrucțiunile cu atenție și să păstrați manualul pentru consultări ulterioare. Acest manual are scopul de a vă oferi toate instrucțiunile necesare cu privire la instalarea, utilizarea și întreținerea aparatului. Pentru utilizarea corectă și în siguranță a aparatului, vă rugăm să citiți cu atenție acest manual de instrucțiuni înainte de instalare și utilizare.

## 2. CONȚINUTUL PACHETULUI DUMNEAVOASTRĂ

- ➔ **Frigider**
- ➔ **Manual de utilizare**
- ➔ **Certificat de garanție**

## 3. INFORMAȚII PRIVIND SIGURANȚA

Pentru siguranța dumneavoastră și o utilizare corectă, înainte de a instala și a folosi aparatul pentru prima dată, citiți cu atenție acest manual de instrucțiuni, inclusiv sugestiile și avertismentele. Pentru a evita erorile inutile și accidentele, este important să vă asigurați că toate persoanele care utilizează aparatul sunt familiarizate cu modul de funcționare și cu măsurile de siguranță. Păstrați aceste instrucțiuni și asigurați-vă că vor rămâne împreună cu aparatul, dacă acesta este mutat sau vândut, astfel încât orice persoană care îl folosește pe durata de utilizare a acestuia să fie bine informată în legătură cu utilizarea sa și cu măsurile de siguranță.

Pentru garantarea siguranței persoanelor și a bunurilor, respectați măsurile de precauție specificate în cadrul prezentului manual de instrucțiuni, deoarece producătorul nu este răspunzător pentru daunele cauzate prin omisiune.

### **Siguranța copiilor și a altor persoane vulnerabile**

- Aparatul poate fi utilizat de către copii cu vârste începând de la 8 ani și de către persoane cu capacități fizice, senzoriale sau mentale reduse, cu lipsă de experiență sau cunoștințe, numai dacă acestea sunt supravegheate sau instruite în ceea ce privește utilizarea în siguranță a aparatului și dacă înțeleg pericolele pe care le implică utilizarea.
- Copiii trebuie supravegheați, astfel încât aceștia să nu se joace cu aparatul.
- Curățarea și întreținerea nu pot fi efectuate de către copii, cu excepția cazului în care aceștia sunt în vârstă de cel puțin 8 ani și sunt supravegheați.
- Nu lăsați ambalajele la îndemâna copiilor. Pericol de asfixiere.
- Pentru a evita situațiile în care copiii se pot electrocuta sau închide în interiorul aparatului, înainte de a-l arunca, scoateți ștecărul din priză, tăiați cablul de alimentare (cât mai aproape de aparat posibil) și demontați ușa aparatului.
- Dacă acest aparat (care este prevăzut cu un sistem de închidere magnetic) înlocuiește un aparat mai vechi, prevăzut cu închizătoare cu arc (zăvor) pe ușă sau pe capac, înainte de a arunca aparatul vechi, asigurați-vă că închizătoarea cu arc nu mai poate fi folosită. Astfel, copiii nu vor putea rămâne blocați înăuntru.
- Copiilor cu vârste începând de la 3 ani le este permis să introducă și să scoată alimente din aparatele frigorifice (această prevedere este aplicabilă numai pentru statele din Uniunea Europeană).

### **Măsuri generale de siguranță**

**Avertisment!** Asigurați-vă că orificiile de ventilație ale carcasei aparatului sau ale corpului acestuia nu sunt obturate.

**Avertisment!** Utilizați numai dispozitive mecanice sau mijloace de grăbire a procesului de dezghețare recomandate de către producător.

**Avertisment!** Nu deteriorați circuitul de refrigerare.

**Avertisment!** Nu folosiți alte aparate electrice (cum ar fi, de exemplu, aparatele de făcut înghețată) în interiorul compartimentelor de depozitare a alimentelor din acest aparat, decât dacă acestea sunt de tipul celor recomandate de către producător.



**Avertisment!** Nu atingeți becul în cazul în care acesta a stat aprins pentru o perioadă îndelungată, deoarece acesta poate fi foarte fierbinte.

**Avertisment!** Atunci când poziționați aparatul, asigurați-vă că nu striviți și nu deteriorați cablul de alimentare.

**Avertisment!** Nu amplasați în spatele aparatului prize multiple sau surse de alimentare portabile.

- Nu depozitați în acest aparat produse explozive precum spray-urile cu aerosoli inflamabili.
- Circuitul de refrigerare al aparatului conține agent frigorific R600a (izobutan), un gaz natural cu un nivel ridicat de compatibilitate cu mediul înconjurător, dar inflamabil.
- În timpul transportului și al montării aparatului, asigurați-vă că niciuna dintre componentele circuitului de refrigerare nu este deteriorată.
  - Evitați utilizarea focului deschis și sursele de aprindere a focului.
  - Aerisiți bine camera în care se află aparatul.
- Modificarea în orice fel a specificațiilor sau a produsului este periculoasă. Orice deteriorare a cablului de alimentare poate genera riscul de scurtcircuitare, incendiu sau electrocutare.
- Acest aparat este destinat uzului casnic și în unități precum:
  - bucătăriile personalului din magazine, birouri și alte medii de lucru;
  - în gospodării și de către clienții din hoteluri, moteluri și alte medii de tip rezidențial;
  - medii de tipul pensiune cu mic dejun;
  - activități de tip catering și non-retail.

**Avertisment!** Componentele electrice (ștecărul, cablul de alimentare, compresorul) trebuie înlocuite de către un electrician calificat sau de către o persoană competentă.

**Avertisment!** Becul furnizat împreună cu aparatul este un „bec pentru utilizare specială” și poate fi utilizat numai pentru acest aparat. Acest „bec pentru utilizare specială” nu poate fi utilizat pentru iluminatul casnic (în cazul în care compartimentul este prevăzut cu bec).

- Nu prelungiți cablul de alimentare.
- Asigurați-vă că ștecărul nu este strivit sau deteriorat de partea din spate a aparatului. În cazul în care cablul de alimentare este strivit sau deteriorat, acesta se poate supraîncălzi și poate provoca un incendiu.
- Asigurați-vă că aveți acces la ștecărul aparatului.
- Nu trageți de cablul de alimentare.
- Dacă priza în care trebuie introdus ștecărul este desprinsă, nu introduceți ștecărul în ea. Există riscul de electrocutare și de incendiu.
- Nu utilizați aparatul fără capacul lămpii de iluminare din interior.
- Aparatul este greu. Mutați-l cu grijă.
- Nu scoateți și nu atingeți obiecte din congelator dacă aveți mâinile umede/ude, deoarece vă puteți provoca leziuni ale pielii sau degerături.
- Evitați expunerea prelungită a aparatului la lumina directă a soarelui.



**Avertisment! Pericol de incendiu!**

În cazul în care circuitul de refrigerare este deteriorat:

- Evitați utilizarea focului deschis și sursele de aprindere a focului.
- Aerisiți bine camera în care se află aparatul.



**Avertisment!** În timpul utilizării, întreținerii sau eliminării aparatului, vă rugăm să acordați atenție simbolului asemănător cu cel din partea stângă, situat pe partea posterioară a aparatului (panoul din spate sau compresorul), de culoare galbenă sau portocalie. Acesta este simbolul de avertizare privind pericolul de incendiu. În conductele de agent frigorific și în compresor sunt prezente materiale inflamabile. Feriți aparatul de surse de foc în timpul utilizării, întreținerii sau eliminării acestuia.

## Utilizare cotidiană

- Nu așezați obiecte fierbinți pe componentele din plastic ale aparatului.
- Nu așezați alimente direct pe peretele posterior din interiorul aparatului.
- Nu congelați din nou alimentele care s-au dezghețat.
- Depozitați alimentele congelate preambalate în conformitate cu instrucțiunile producătorului alimentelor congelate.
- Respectați cu strictețe recomandările producătorului acestui aparat privind depozitarea. Consultați instrucțiunile aferente.

- Nu depozitați băuturi carbogazoase sau acidulate în congelator, deoarece se creează presiune asupra recipientelor, acestea putând exploda, având drept rezultat deteriorarea aparatului.
- Alimentele înghețate pot cauza degerături dacă sunt consumate direct din congelator.

## Curățare și întreținere

- Înainte de efectuarea operațiilor de întreținere, opriți aparatul și scoateți ștecărul din priză.
- Nu curățați aparatul cu obiecte din metal.
- Nu folosiți obiecte ascuțite pentru a îndepărta gheața din aparat. Folosiți o racletă din plastic. <sup>1)</sup>
- Verificați cu regularitate orificiul de scurgere al aparatului. Dacă este necesar, curățați orificiul de scurgere. Dacă orificiul de scurgere este blocat, se va strânge apă în partea de jos a aparatului. <sup>2)</sup>

1) Dacă aparatul este prevăzut cu un compartiment de refrigerare.

2) Dacă aparatul este prevăzut cu un compartiment pentru depozitarea alimentelor proaspete.

## Instalare

**Important!** Pentru conexiunea electrică, urmați cu atenție instrucțiunile referitoare la aceasta.

- Despachetați aparatul și verificați dacă este deteriorat. Dacă aparatul prezintă deteriorări, nu îl conectați la sursa de alimentare. Dacă aparatul este deteriorat, comunicați imediat acest lucru distribuitorului de la care l-ați cumpărat. În acest caz, păstrați ambalajul.
- Vă recomandăm să așteptați cel puțin patru ore înainte de a conecta aparatul la sursa de alimentare, pentru ca uleiul să aibă timp să revină în compresor.
- Aerul trebuie să poată circula liber în jurul aparatului. În lipsa circulației aerului, aparatul se poate supraîncălzi. Pentru a obține o ventilație adecvată, respectați instrucțiunile referitoare la montare.
- Dacă este posibil, distanțierile produsului trebuie să fie orientate către un perete, pentru a evita atingerea sau prinderea părților calde (compresorul, condensatorul) și pentru a preveni eventualele arsuri.
- Nu amplasați aparatul în apropierea radiatoarelor sau a aragazelor.
- Asigurați-vă că aveți acces la ștecăr după montarea aparatului.

## Reparații

- Lucrările electrice necesare în vederea reparării aparatului trebuie efectuate de către un electrician calificat sau de către o persoană competentă.
- Produsul trebuie reparat de către un centru de service autorizat, folosindu-se numai piese de schimb originale.

## Economisirea energiei

- Nu introduceți alimente fierbinți în aparat.
- Nu depozitați alimentele aproape unele de celelalte, deoarece aceasta împiedică circulația aerului.
- Asigurați-vă că alimentele nu ating partea din spate a compartimentului/elor;
- Dacă furnizarea energiei electrice se întrerupe, nu deschideți ușa/ușile.
- Nu deschideți ușa/ușile frecvent.
- Nu țineți ușa/ușile deschise pentru prea mult timp.
- Nu reglați termostatul la o temperatură mai redusă decât este necesar.
- Pentru un consum redus de energie, toate accesoriile, cum ar fi rafturile, sertarele și rafturile de pe uși trebuie menținute în pozițiile care au fost prevăzute pentru acestea.

## Protecția mediului și materiale de ambalare

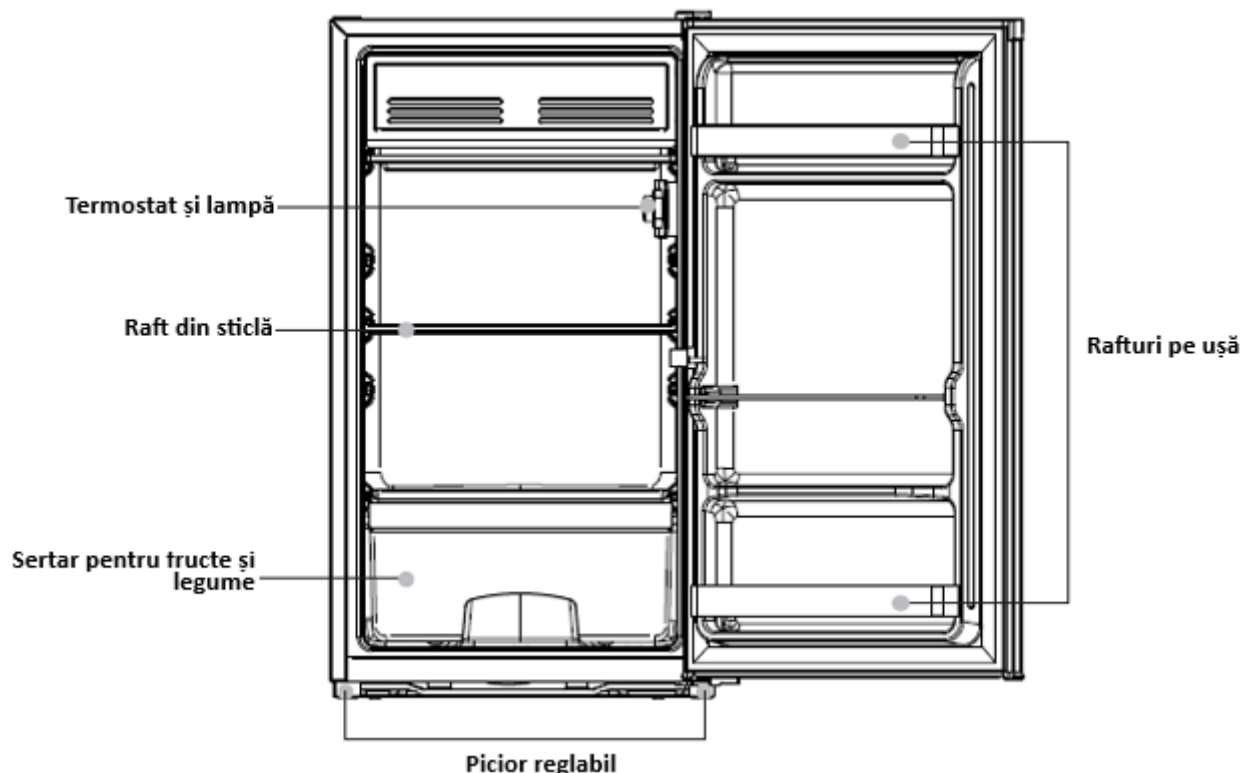
Acest aparat nu conține gaze care ar putea dăuna stratului de ozon, nici în circuitul de refrigerare, nici în materialele izolante. Aparatul nu trebuie eliminat împreună cu deșeurile menajere și cu gunoiul. Spuma izolantă conține gaze inflamabile: aparatul trebuie eliminat în conformitate cu reglementările adoptate de

autoritățile locale. Evitați deteriorarea unității de răcire, în special a schimbătorului de căldură. Simbolul marcat pe anumite materialele folosite la fabricarea aparatului indică faptul că acestea sunt reciclabile. Materialele marcate cu acest simbol sunt reciclabile. Aruncați ambalajele în containere speciale destinate reciclării.

## Eliminarea produsului

- Deconectați ștecărul de la sursa de alimentare cu energie.
- Tăiați cablul de alimentare și aruncați-l.

## 4. DESCRIEREA PRODUSULUI



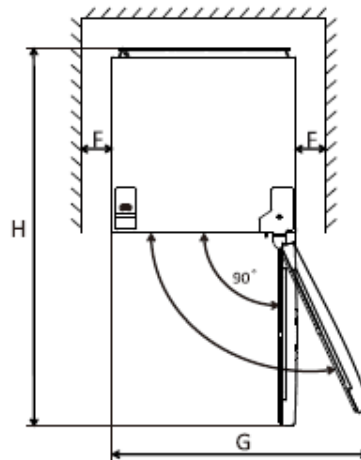
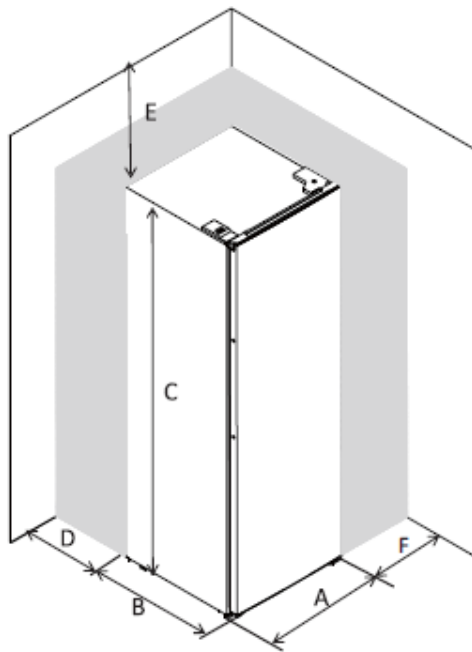
Pentru ca acest produs să fie cât mai eficient, vă rugăm să amplasați rafturile și sertarele în pozițiile indicate în ilustrația de mai sus.

Observație: Imaginea de mai sus are rol strict informativ. Produsul real poate fi diferit

## 5. INSTALARE

### Cerințe privind spațiul

- Alegeți un loc care să nu fie expus la lumina directă a soarelui.
- Alegeți loc care să permită deschiderea cu ușurință a ușilor aparatului.
- Alegeți un loc în care podeaua are o suprafață netedă.
- Lăsați spațiu suficient pentru instalarea aparatului pe o suprafață plană.
- Lăsați spațiu la dreapta, la stânga, în spate și deasupra în momentul instalării. Acest lucru va ajuta la reducerea consumului de energie electrică.
- Lăsați un spațiu de cel puțin 50 de mm în laterale și în spate.



A	480
B	450
C	850
D	min=50
E	min=50
F	min=50
G	960
H	930

## Poziționare

Instalați acest aparat într-un loc în care temperatura ambiantă corespunde clasei climatice indicate pe plăcuța cu informații tehnice a aparatului.

Pentru aparatele frigorifice cu clasă climatică:

- temperată extinsă: acest aparat frigorific este destinat a fi utilizat la temperaturi ambiante cuprinse între 10°C și 32°C (SN);
- temperată: acest aparat frigorific este destinat a fi utilizat la temperaturi ambiante cuprinse între 16°C și 32°C (N);
- subtropicală: acest aparat frigorific este destinat a fi utilizat la temperaturi ambiante cuprinse între 16°C și 38°C (ST);
- tropicală: acest aparat frigorific este destinat a fi utilizat la temperaturi ambiante cuprinse între 16°C și 43°C (T).

## Locul instalării

Aparatul trebuie să fie amplasat departe de sursele de căldură precum caloriferele, boilerele și lumina directă a soarelui. Pentru asigurarea unei performanțe ridicate, în cazul în care aparatul este poziționat sub un corp de mobilier suspendat, distanța minimă dintre partea de sus a aparatului și corpul suspendat trebuie să fie de cel puțin 50 de mm. Totuși, în mod ideal, aparatul nu ar trebui amplasat sub corpuri de mobilier suspendate. Pentru a amplasa aparatul cu precizie în poziție orizontală utilizați picioarele reglabile de la bază. Acest aparat frigorific nu este destinat utilizării ca aparat încorporat.

**Avertisment!** Trebuie să existe posibilitatea de a deconecta aparatul de la sursa de alimentare; prin urmare, ștecărul trebuie să fie accesibil după montare.

## Conectarea la rețeaua electrică

Înainte de a conecta aparatul, asigurați-vă că tensiunea și frecvența indicate pe plăcuța cu date tehnice corespund cu cele ale sursei de alimentare din locuința dumneavoastră. Aparatul trebuie să fie legat la pământ. În acest scop, ștecărul cablului electric este prevăzut cu un contact. Dacă priza din locuință nu este legată la pământ, conectați aparatul la o împământare separată, în conformitate cu reglementările în vigoare, după ce ați consultat un electrician calificat.

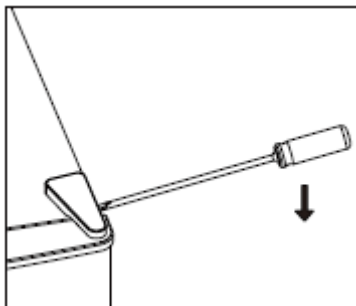
Producătorul nu își asumă nicio răspundere în cazul în care aceste măsuri de siguranță nu sunt respectate. Acest aparat este în conformitate cu Directivele C.E.E.

## Reversibilitatea ușii

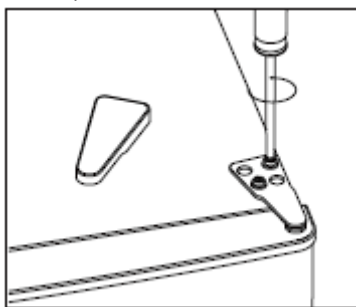
Unelte necesare: Șurubelniță în cruce/ Șurubelniță în linie/ Cheie hexagonală

- Asigurați-vă că aparatul este gol și deconectat de la sursa de alimentare.
- Pentru a putea scoate ușa, este necesar să înclinați aparatul către spate. Aparatul trebuie sprijinit pe o suprafață solidă, astfel încât acesta să nu alunece în timpul procesului de inversare a sensului de deschidere a ușii.
- Toate piesele demontate trebuie păstrate în vederea reînălării ușii. Nu așezați aparatul pe spate, deoarece acest lucru poate deteriora sistemul de refrigerare.
- Se recomandă realizarea montajului de către două persoane.

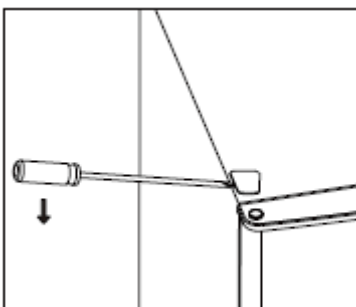
1. Scoateți capacul balamalei superioare din partea dreaptă.



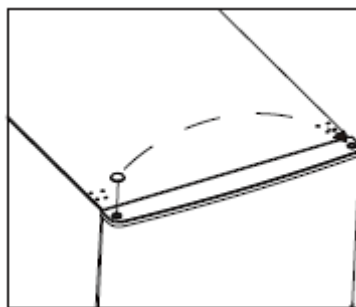
2. Desfaceți șuruburile. Scoateți placa de susținere a balamalei.



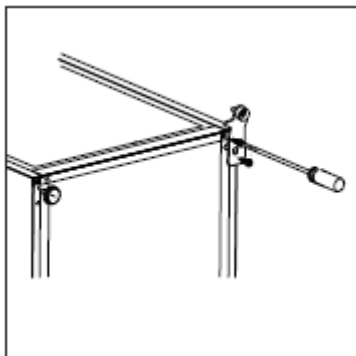
3. Scoateți capacul balamalei superioare din partea stângă.



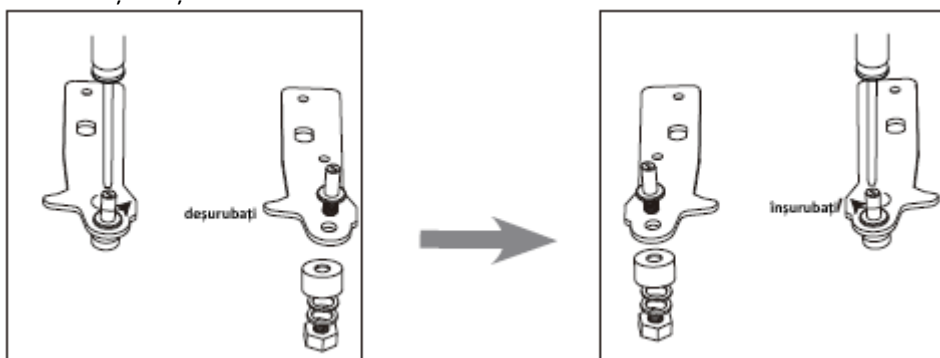
4. Mutați din partea stângă în partea dreaptă capacele pentru orificiile balamalei. Ridicați ușa superioară și așezați-o pe o suprafață moale pentru a preveni zgârierea acesteia.



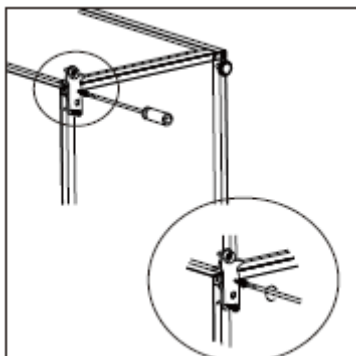
5. Deșurubați balamaua inferioară. Apoi scoateți picioarele reglabile din cealaltă parte.



6. Deșurubați și scoateți axul balamalei inferioare cu ajutorul unei șurubelnițe cu cap drept, întoarceți placa de fixare și reintroduceți bolțul.

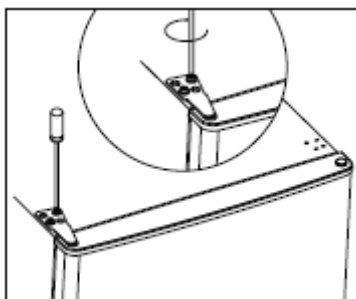


7. Montați la loc placa de fixare. Puneți la loc piciorul reglabil.



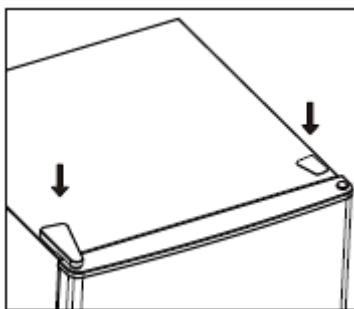
8. Puneți ușa la loc. Înainte de a strânge balamaua superioară, asigurați-vă că ușa este aliniată pe orizontală și verticală, astfel încât garniturile să fie poziționate corect.

9. Apoi introduceți placa de susținere a balamalei și fixați-o cu șuruburi în partea de sus a aparatului.

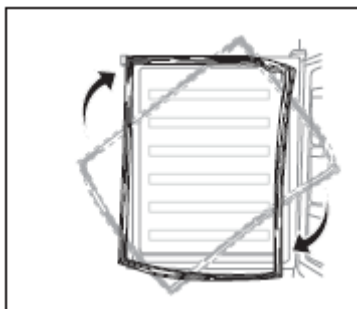


10. Dacă este necesar, utilizați o cheie.

11. Puneți capacul balamalei și fixați-l cu șuruburi.

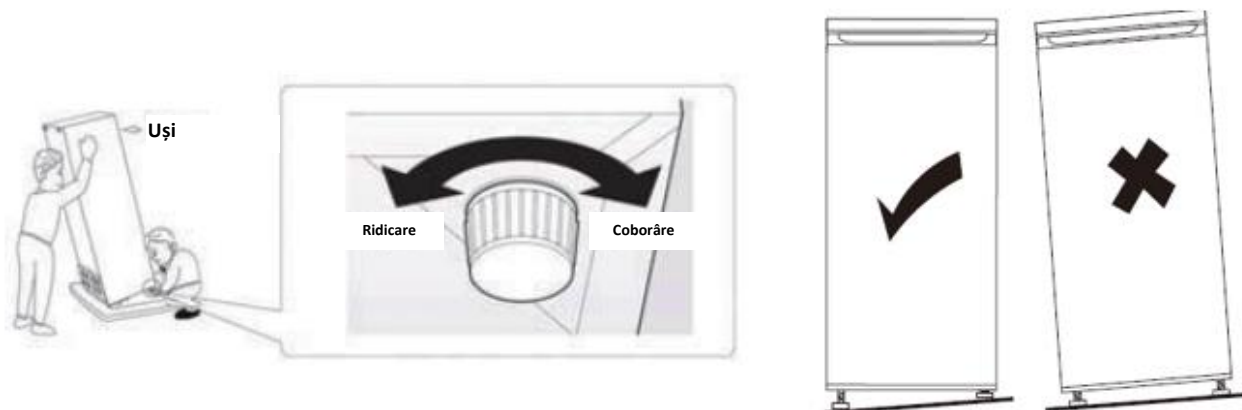


12. Detașați garnitura ușii compartimentului de refrigerare și garnitura ușii compartimentului de congelare, apoi fixați-le după ce le rotiți.



## Echilibrarea aparatului

Pentru a echilibra aparatul, reglați cele două picioare din partea din față a aparatului. Dacă aparatul nu este echilibrat, ușa și garniturile magnetice nu vor fi aliniate corespunzător.



## 6. PANOUL DE COMANDĂ

### Curățarea interiorului

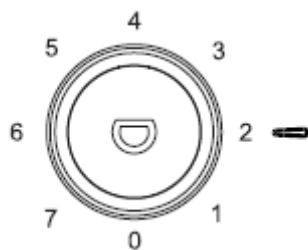
Înainte de a folosi aparatul pentru prima dată, spălați interiorul și toate accesoriile interne cu apă caldă și cu detergent neutru, pentru a înlătura mirosul specific de produs nou.

Important! Nu folosiți detergenți sau prafuri abrazive, deoarece acestea vor deteriora suprafețele.

### Setarea temperaturii

- Introduceți ștecăru în priză. Temperatura interioară este controlată prin intermediul unui termostat. Sunt disponibile 8 setări. Setarea 1 înseamnă cea mai ridicată temperatură, setarea 7 înseamnă cea mai scăzută temperatură, iar 0 înseamnă OPRIT.

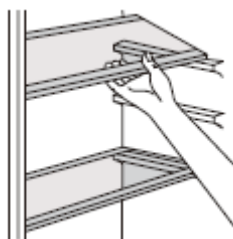
- Dacă aparatul este amplasat într-un mediu foarte cald sau dacă deschideți ușa des, este posibil ca acesta să nu funcționeze la temperatura corectă.



## 7. UTILIZARE COTIDIANĂ

### Rafturi detașabile

Rafturile pot fi montate în pozițiile potrivite.



### Poziționarea rafturilor de pe ușă

Pentru depozitarea alimentelor sau băuturilor de dimensiuni diferite, rafturile ușii pot fi așezate la înălțimi diferite. Urmați pașii de mai jos pentru reglarea rafturilor.

Pasul 1: Scoateți raftul.

Pasul 2: Alegeți poziția potrivită și apăsați raftul pe două plăci convexe până când acesta se fixează.

### Sertarul pentru legume

Acest sertar este potrivit pentru depozitarea fructelor și legumelor. Acesta poate fi scos complet.

### Recomandări privind refrigerarea alimentelor proaspete

Pentru obținerea unor performanțe optime:

- Nu depozitați în aparat mâncare caldă sau lichide care se evaporă.
- Acoperiți sau împachetați alimentele, în special în cazul în care acestea emit mirosuri puternice.
- Așezați alimentele în mod corespunzător, astfel încât aerul să poată circula liber în jurul acestora.

### Recomandări privind refrigerarea

Sfaturi utile:

- Carnea (de toate tipurile) se împachetează în folie de polietilenă și se așază pe raftul din sticlă situat deasupra sertarului pentru legume și fructe.
- Pentru siguranță, depozitați carnea în acest mod numai timp de o zi sau cel mult două.
- Alimentele gătite, mezelurile etc.: acestea trebuie acoperite și așezate pe orice raft.
- Fructe și legume: acestea trebuie curățate bine și așezate în sertarele destinate acestora.



- Unt și brânzeturi: acestea trebuie așezate în recipiente speciale închise ermetic sau înfășurate în folie din aluminiu sau în pungă de polietilenă cât mai etanșe.
- Sticle de lapte: acestea trebuie prevăzute cu capac și depozitate în rafturile de pe ușă.
- În cazul în care nu sunt ambalate, bananele, cartofii, ceapa și usturoiul nu trebuie păstrate la frigider.

Pentru a evita contaminarea alimentelor, respectați instrucțiunile de mai jos:

- Dacă ușa aparatului este lăsată deschisă pe perioade lungi, temperatura din compartimentele aparatului crește semnificativ.
- Curățați periodic suprafețele care pot intra în contact cu alimentele, precum și sistemele de scurgere ale aparatului.
- Păstrați carnea crudă și peștele proaspăt în recipiente corespunzătoare, astfel încât produsele să nu intre în contact cu alte alimente.
- Compartimentele de congelare cu două stele sunt potrivite pentru păstrarea alimentelor precongelate, păstrarea sau prepararea înghețatei și producerea cuburilor de gheață.
- Compartimentele cu una, două și trei stele nu sunt potrivite pentru congelarea alimentelor proaspete.

Notă: Vă rugăm să păstrați alimentele în compartimentele corespunzătoare și la temperaturile de depozitare recomandate.

- Dacă aparatul frigorific este lăsat gol pe perioade lungi, opriți-l, decongelați-l, curățați-l, ștergeți-l bine și lăsați-i ușa deschisă, pentru a preveni formarea mușgaiului în interiorul acestuia.

Nr. de ordine	Tipul compartimentului	Temperatură de depozitare recomandată [°C]	Alimente
1	Refrigerare	+2≤+6	Ouăle, alimentele gătite, alimentele ambalate, fructele și legumele, lactatele, prăjiturile și băuturile nu sunt potrivite pentru congelare.
2	(***)*-Congelare	≤-18	Fructele de mare (peștele, creveții, crustaceele), produsele acvatice și cele din carne sunt potrivite pentru congelare (se recomandă depozitarea acestora timp de 3 luni; cu cât durata de depozitare este mai mare, cu atât gustul și proprietățile nutritive se pierd).
3	***-Congelare	≤-18	Fructele de mare (peștele, creveții, crustaceele), produsele acvatice și cele din carne nu sunt potrivite pentru congelare (se recomandă depozitarea acestora timp de 3 luni; cu cât durata de depozitare este mai mare, cu atât gustul și proprietățile nutritive se pierd).
4	** - Congelare	≤-12	Fructele de mare (peștele, creveții, crustaceele), produsele acvatice și cele din carne nu sunt potrivite pentru congelare (se recomandă depozitarea acestora timp de 2 luni; cu cât durata de depozitare este mai mare, cu atât gustul și proprietățile nutritive se pierd).
5	*-Congelare	≤-6	Fructele de mare (peștele, creveții, crustaceele), produsele acvatice și cele din carne nu sunt potrivite pentru congelare (se recomandă depozitarea acestora timp de 1 lună; cu cât durata de depozitare este mai mare, cu atât gustul și proprietățile nutritive se pierd).

6	Fără stele	$-6 \leq 0$	Carne proaspătă de porc, vită și pui, pește proaspăt, anumite alimente prelucrate și ambalate etc. (se recomandă să fie consumate în aceeași zi, de preferință în termen de cel mult 3 zile) Alimente prelucrate, ambalate parțial (alimente necongelabile)
7	Răcire	$-2 \leq +3$	Carne proaspătă/congelată de porc, vită și pui, produse acvatice etc. (aceste alimente pot fi păstrate cel mult 7 zile la temperaturi sub 0 °C; în cazul păstrării la temperaturi care depășesc 0 °C, se recomandă să fie consumate în aceeași zi, de preferință în termen de cel mult 2 zile) Fruite de mare (aceste alimente pot fi păstrate cel mult 15 zile la temperaturi sub 0 °C; nu se recomandă păstrarea acestora la temperaturi care depășesc 0 °C)
8	Alimente proaspete	$0 \leq +4$	Carne proaspătă de porc, vită și pui, mâncare gătită etc. (se recomandă să fie consumate în aceeași zi, de preferință în termen de cel mult 3 zile)
9	Vin	$+5 \leq +20$	vin roșu, vin alb, vin spumant etc.

## 8. CURĂȚAREA ȘI DEZGHEȚAREA

### Curățarea

Din motive de igienă, interiorul aparatului și accesoriile interne trebuie să fie curățate în mod regulat.

**Atenție!** În timpul curățării, aparatul trebuie să fie deconectat de la sursa de alimentare cu energie electrică. Pericol de electrocutare! Înainte de a curăța aparatul, opriți-l și scoateți ștecărul din priză sau întrerupeți circuitul electric general al locuinței. Nu curățați aparatul cu un dispozitiv de curățare cu abur. Pericol de electrocutare! Umezeala se poate acumula în componentele electrice. Aburii fierbinți pot deteriora componentele din plastic. Înainte de a repune aparatul în funcțiune, asigurați-vă că acesta este uscat.

**Important!** Uleiurile eterice și solvenții organici (sucul de lămâie sau sucul din coaja de portocală, acidul butiric, substanțele de curățat care conțin acid acetic) pot ataca elementele din plastic ale aparatului.

- Nu lăsați substanțe de acest tip să intre în contact cu piesele aparatului.
- Nu folosiți substanțe de curățat abrazive.
- Scoateți alimentele din congelator. Depozitați-le într-un loc răcoros și acoperiți-le bine.
- Opriți aparatul și scoateți ștecărul din priză sau întrerupeți circuitul electric general din locuință.
- Curățați aparatul și accesoriile interne cu o lavetă și apă caldă. După curățarea aparatului, clătiți-l cu apă curată și ștergeți-l cu o lavetă uscată.
- Acumularea prafului pe condensator crește consumul de energie. Din acest motiv, trebuie să curățați cu grijă condensatorul situat în spatele aparatului, o dată pe an, cu o perie moale sau cu un aspirator.
- După ce toate componentele sunt din nou uscate, puteți repune aparatul în funcțiune.

### Dezghețarea

Evaporatorul se va acoperi progresiv cu gheață. Aceasta trebuie înlăturată.

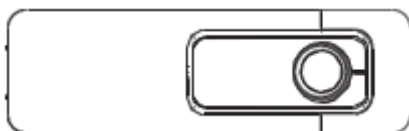
Nu utilizați instrumente ascuțite din metal pentru a îndepărta gheața de pe evaporator, deoarece îl puteți deteriora.

Cu toate acestea, dacă stratul de gheață devine foarte gros, trebuie realizată o dezghețare completă, după cum urmează:

- Scoateți ștecărul din priză.
- Scoateți toate alimentele depozitate, înfășurați-le în mai multe straturi din hârtie de ziar și puneți-le într-un loc răcoros.
- Lăsați ușa deschisă și așezați un recipient sub aparat pentru strângerea apei rezultate în urma dezghețării.
- După ce dezghețarea este completă, ștergeți bine interiorul.
- Reintroduceți ștecărul în priză pentru a porni din nou aparatul.

## 9. REMEDIEREA PROBLEMELOR

Becul din interior este de tip LED. Pentru înlocuirea becului, contactați un tehnician calificat.



**Atenție!** Înainte de a remedia defecțiunile scoateți ștecărul din priză. Problemele tehnice care nu sunt prezentate în acest manual pot fi remediate numai de către un electrician calificat sau de către o persoană competentă.

**Important!** În timpul utilizării normale, se pot auzi unele sunete (compresorul, circulația agentului de răcire).

Problemă	Cauză posibilă	Soluție
Aparatul nu funcționează	Butonul de reglare a temperaturii este în poziția „0”.	Rotiți butonul către altă poziție pentru ca aparatul să funcționeze.
	Ștecărul nu este introdus corect în priză.	Introduceți ștecărul în priză.
	Siguranța s-a ars sau este defectă.	Verificați siguranța. Dacă este necesar, înlocuiți-o.
	Priza este defectă.	Defecțiunile sursei de alimentare cu energie electrică trebuie remediate de către un electrician.
Alimentele sunt prea calde.	Temperatura nu este reglată corect.	Vă rugăm să citiți capitolul privind setarea temperaturii.
	Ușa a fost lăsată deschisă pentru o perioadă îndelungată.	Nu țineți ușa deschisă mai mult decât este necesar.
	În ultimele 24 de ore, au fost introduse în aparat alimente calde în cantitate mare.	Rotiți temporar butonul regulatorului către o poziție superioară.
	Aparatul se află lângă o sursă de căldură.	Vă rugăm să citiți capitolul privind locul instalării aparatului.
Aparatul răcește prea mult.	Temperatura setată este prea scăzută.	Rotiți temporar butonul de reglare a temperaturii către o poziție inferioară.
Zgomote neobișnuite	Aparatul nu este stabil.	Reglați picioarele
	Aparatul atinge peretele sau alte obiecte.	Mutați puțin aparatul.
	O componentă (de exemplu, o conductă a aparatului) atinge o altă piesă a aparatului sau peretele.	Dacă este necesar, îndoiți cu atenție componenta, astfel încât aceasta să nu mai atingă nimic.

Dacă defecțiunea apare din nou, contactați centrul de service.

## SERVICE ȘI ASISTENȚĂ PENTRU CLIEȚI

Utilizați numai piese de schimb originale.

Când contactați centrul nostru de service autorizat, asigurați-vă că aveți la îndemână următoarele informații:

Denumirea modelului și numărul de serie.

Informațiile pot fi găsite pe plăcuța cu date tehnice. Acestea pot suferi modificări fără o notificare prealabilă.

## DATE TEHNICE

Informațiile tehnice se află pe plăcuța cu date tehnice a aparatului și pe eticheta energetică.

Codul QR de pe eticheta energetică furnizată împreună cu aparatul oferă un link web către informațiile din baza de date EPREL cu privire la performanțele aparatului.

Păstrați eticheta energetică pentru consultări ulterioare, împreună cu manualul de utilizare și cu toate celelalte documente furnizate împreună cu acest aparat.

De asemenea, puteți găsi aceleași informații în baza de date EPREL, folosind link-ul <https://eprel.ec.europa.eu> și denumirea modelului și numărul de serie al produsului, pe care le găsiți pe plăcuța cu date tehnice a aparatului.

Pentru a accesa informațiile despre produsul Dvs în portalul EPREL, puteți scana codurile de mai jos:

HF-HM90E++



HF-HM90SE++



Vă mulțumim pentru achiziționarea acestui produs! Dacă aveți nevoie de asistență în ceea ce privește produsul dumneavoastră, vizitați site-ul nostru web utilizând linkurile de mai jos:

**Get User manuals:** <https://www.heinner.ro>

**Get Service information:** <https://www.heinner.ro>



## MASURI PENTRU PROTECTIA MEDIULUI

Va informam ca persoanele fizice au urmatoarele obligatii prin legislatia specifica privind protectia mediului si regimul deșeurilor:

- Deșeurile de echipamente electrice și electronice (DEEE), pot conține substanțe periculoase pentru mediu și sănătatea umană. Conform OUG 5/2015, există obligativitatea predării acestora, pentru tratarea corespunzătoare și valorificarea componentelor reciclabile. Societatea Network One Distribution S.R.L. este platitoare de taxa de "timbru verde" pentru fiecare Echipament Electric și Electronic (EEE) pe care îl pune pe piață. Acest cost asigură tratarea ulterioară a echipamentelor uzate colectate. Din acest motiv, odată ce devine deșeu, produsul EEE poate fi predat gratuit operatorului Dvs. de salubritate, la magazine atunci când achiziționați alt echipament similar, sistemul "unul la unu" sau la punctul de colectare organizat de Primăria Sectorului / Localității Dvs.
- Simbolul (marcajul) aplicat produselor, care indică faptul că deșeurile DEEE, bateriile și acumulatorii - fac obiectul unei colectări separate, îl reprezintă o pubeză goală cu o cruce.



***Aceste masuri vor ajuta la protejarea mediului***

Societatea Network One Distribution S.R.L. este inregistrata in Registrul de punere pe piata a echipamentelor electrice si electronice, avand numarul de inregistrare: RO-2016-03-EEE-0201-IV. De asemenea, au fost intocmite si sunt gestionate: Registrul de Retragere EEE si Registrul de Rechemare EEE, in conformitate cu HG 322/2013. Totodata societatea este inregistrata in Registrul de punere pe piata a bateriilor, avand numarul de inregistrare: RO-2011-03-B&A-0283.

Conformitatea cu directiva RoHS: Produsul pe care l-ați cumpărat este conform cu Directiva RoHS UE (2011/65/UE). Nu conține materialele dăunătoare și interzise specificate în Directivă.

**Va multumim ca participati alaturi de noi la protejarea mediului si a sanatatii umane!**



**HEINNER** este marcă înregistrată a companiei **Network One Distribution SRL**. Celelalte branduri și denumirile produselor sunt mărci de comerț sau mărci de comerț înregistrate ale respectivilor deținători.

Nicio parte a specificațiilor nu poate fi reprodusă, sub nicio formă și prin niciun mijloc, nici utilizată pentru obținerea unor derivate precum traduceri, transformări sau adaptări, fără consimțământul prealabil al companiei NETWORK ONE DISTRIBUTION.

Copyright © 2013 Network One Distribution. Toate drepturile rezervate.

[www.heinner.com](http://www.heinner.com), <http://www.nod.ro>

<http://www.heinner.com>, <http://www.nod.ro>



Acest produs este proiectat și realizat în conformitate cu standardele și normele Comunității Europene.



Importator: **Network One Distribution**

Str. Marcel Iancu, nr. 3-5, București, România

Tel: +40 21 211 18 56, [www.heinner.com](http://www.heinner.com), [www.nod.ro](http://www.nod.ro)

# ХЛАДИЛНИК

Модел:

HF-HM90E++/HF-HM90SE++



- Хладилник
- Общ капацитет: 90 л.
- Енергиен клас: E

**HEINNER**

## 1. ВЪВЕДЕНИЕ

Моля прочетете внимателно инструкциите и запазете наръчника за бъдещи справки. Този наръчник има за цел да Ви предостави всички необходими инструкции по отношение на инсталирането, използването и поддържането на уреда. Преди инсталиране и използване на уреда, с цел правилна и безопасна употреба на уреда, моля прочетете внимателно този наръчник с инструкции.

## 2. СЪДЪРЖАНИЕ НА ВАШИЯ ПАКЕТ

- ➔ Хладилник
- ➔ Наръчник за употреба
- ➔ Сертификат за гаранция

## 3. ПРЕДУПРЕЖДЕНИЯ ОТНОСНО БЕЗОПАСНОСТТА

За Вашата безопасност и за правилна употреба, преди да инсталирате и използвате устройството за първи път, прочетете внимателно този наръчник за потребителя, включително препоръките и предупрежденията. За да се избегнат излишни грешки и злополуки е много важно да се уверите, че всички хора, които използват устройството са запознати с начина на експлоатация и мерките за безопасност. Запазете тези инструкции и се уверете, че ще останат заедно с уреда, ако той бъде преместен или продаден, така че всеки, който го използва в срок на неговата експлоатация да бъде добре информиран във връзка с неговата употреба и с мерките за сигурност.

За безопасност на живота и имуществото, спазвайте разпоредбите в този наръчник за потребителя, тъй като производителя не носи отговорност за щетите причинени поради пропуски.

### Безопасност за деца и други уязвими лица

- Уредът може да се използва от деца на възраст от 8 години и от лица с намалени физически, сетивни или умствени възможности, които нямат опит или познания само, ако са наблюдавани или обучени относно безопасната употреба на уреда и, ако разбират опасностите, свързани с употребата.
- Децата трябва да бъдат наблюдавани, така че да не си играят с уреда.
- Почистването и поддръжката, не могат да се извършват от деца, освен ако те са на поне 8 годишна възраст и са под наблюдение.
- Не оставяйте опаковките на достъпни места за деца. Опасност от задушаване.
- За да избегнете ситуации, в които децата могат да пострадат от токов удар или да се затворят вътре в устройството, преди да го изхвърлите, изключете щепсела от контакта, отрежете захранващия кабел (възможно най-близо до устройството) и премахнете вратата на уреда.
- Ако това устройство (което е снабдено с магнитна система за затваряне) заменя по-стар уред, снабден с пружинно затваряне (клипс) на вратата или на капака, преди да изхвърлите старото устройство се уверете, че пружинното затваряне не може да се използва повече. По този начин децата не могат да останат блокирани вътре.
- Децата на възраст над 3 години имат право да поставят и изваждат храни от хладилните уреди (тази разпоредба е приложима само за страните от ЕС).

### Общи мерки за безопасност

**Предупреждение!** Уверете се, че отворите за проветрение върху корпуса на уреда или върху неговото тяло не са запушени.

**Предупреждение!** Не използвайте механични устройства или други средства за ускоряване на процеса за размразяване освен тези, които са препоръчани от производителя.

**Предупреждение!** Не повреждайте мрежата на хладилния агент.

**Предупреждение!** Не използвайте други електрически устройства (като, например, машини за сладолед) вътре в отделенията за съхранение на хранителните продукти на това устройство, освен ако не са от препоръчания от производителя вид.

**Предупреждение!** Не докосвайте лампата в случай, че е останала светната за дълго време, защото може да бъде много гореща.

**Предупреждение!** Когато позиционирате уреда, уверете се, че не сте смачкали или повредили хранващия кабел.

**Предупреждение!** Не поставяйте зад уреда разклонители за контакт или преносими източници на хранване.

- Не съхранявайте в това устройство взривни вещества, като аерозолни спрейове със запалима течност.
- Хладилната верига на устройството съдържа охладителен агент R600a (изобутан), природен газ с висока степен на съвместимост с околната среда, но запалим.
- По време на транспортирането и монтажа на устройството се уверете, че нито един от компонентите на хладилната верига не е повреден.
  - Избягвайте употребата на открит пламък и източници за запалване.
  - Проветрете добре стаята, в която се намира устройството.
- Всякаква промяна на спецификациите или на продукта е опасна. Всяка повреда на хранващият кабел може да създаде риск от късо съединение, пожар или токов удар.
- Този уред е предназначен за домашна употреба и в заведения като:
  - кухни на персонала в магазини, офиси и други работни среди;
  - в домакинствата и от клиенти на хотели, мотели и други жилищни среди;
  - среди от тип пансион с предлагана закуска;
  - дейности от вида на кетъринг и доставки на едро.

**Предупреждение!** Електрическите компоненти (щепсела, хранващия кабел, компресора) трябва да бъдат заменени от квалифициран електротехник или от компетентно лице.

**Предупреждение!** Лампата, доставена с устройството е „лампа за специално използване“ и може да бъде използвана само за този уред. Тази „лампа за специално използване“ не може да бъде използвана за битово осветление (в случай, че отделението е снабдено с лампа).

- Не удължавайте хранващият кабел.
- Уверете се, че щепселът не е смачкан или повреден от задната страна на устройството. В случай, че хранващият кабел е смачкан или повреден, той може да прегрее и да причини пожар.
- Уверете се, че имате достъп до щепсела на устройството.
- Не дърпайте хранващият кабел.
- Ако контакта, в който трябва да се включи щепсела е разхлабен, не включвайте щепсела в него. Съществува риск от токов удар и пожар.
- Не употребявайте устройството без капак на лампата за вътрешно осветление.
- Устройството е тежко. Премествайте го внимателно.
- Не изваждайте и не докосвайте предмети от фризера, ако ръцете Ви са влажни / мокри, защото това може да причини увреждания на кожата или измръзване.
- Избягвайте продължителното излагане на устройството на пряка слънчева светлина.



### **Внимание! Опасност от пожар!**

Ако охладителната верига е повредена:

- Избягвайте употребата на открит пламък и източници за запалване.
- Проветрете добре стаята, в която се намира устройството.



**Предупреждение!** По време на употреба, поддръжка или изхвърляне на уреда, моля, обърнете внимание на символа, подобен на този от лявата страна, разположен на гърба на уреда (задния панел или компресора), жълт или оранжев на цвят. Това е предупредителният символ за опасност от пожар. В тръбопроводите за хладилен агент и в компресора се намират запалими материали. Дръжте уреда далеч от източници на огън по време на употреба, поддръжка или изхвърляне.

## Ежедневна употреба

- Не поставяйте горещи предмети върху пластмасовите компоненти на устройството.
- Не поставяйте храни директно до задната стена във вътрешността на уреда.
- Не замразявайте повторно размразени храни.
- Съхранявайте опакованите замразени храни в съответствие с инструкциите на производителя на замразените храни.
- Спазвайте стриктно препоръките за съхранение от страна на производителя на това устройство. Вижте съответните указания.



- Не съхранявайте газирани напитки във фризера, защото се създава налягане върху съдовете, които могат да експлодират, което води до повреда на устройството.
- Замразените храни могат да предизвикат измръзване, ако се консумират директно от фризера.

## Почистване и поддръжка

- Преди мерките за поддръжка, изключете устройството и извадете щепсела от контакта.
- Не почиствайте устройството с метални предмети.
- Не използвайте остри предмети за отстраняване на леда от устройството. Използвайте пластмасова стъргалка.<sup>1)</sup>
- Проверявайте редовно дренажния отвор на устройството. Ако е необходимо, почистете дренажния отвор. Ако дренажния отвор е запушен, ще се събере вода в долната част на устройството.<sup>2)</sup>

1) Ако устройството е снабдено с отделение за замразяване.

2) Ако устройството е снабдено с отделение за пресни храни.

## Инсталиране

**Важно!** За свързване към електрическата мрежа, следвайте внимателно инструкциите.

- Разопакувайте устройството и проверете за повреди. Ако уреда е повреден, не го свързвайте към източника за хранване. Ако устройството е повредено, незабавно съобщете това на търговеца, от който сте го закупили. В такъв случай запазете опаковката.
- Препоръчваме Ви да изчакате най-малко четири часа, преди да свържете устройството към електрическата мрежа, за да може маслото да има време да се върне в компресора.
- Въздухът трябва да може да се движи свободно около устройството. Без тази вентилация, уреда може да прегрее. За да получите подходяща вентилация спазвайте инструкциите за инсталиране.
- Ако е възможно, ограничителите на продукта трябва да бъдат насочени към стената, за да се избегне докосването или хващането на горещите части (компресор, кондензатор) и, за да предотвратите евентуални изгаряния.
- Не поставяйте устройството близо до радиатори или готварски печки.
- Уверете се, че имате достъп до щепсела, след инсталиране на устройството.

## Ремонти

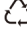
- Електрическите дейности, необходими за ремонт на устройството трябва да бъдат извършени от квалифициран електротехник или от компетентно лице.
- Продуктът трябва да бъде ремонтиран от оторизиран сервизен център, като се използват само оригинални резервни части.

## Съвети за пестене на енергия

- Не поставяйте топла храна в уреда.
- Не съхранявайте храните една до друга, защото затрудняват въздушната циркулация.
- Уверете се, че храните не докосват задната страна на отделението/отделенията;
- Ако доставянето на електроенергия бъде прекъснато, не отваряйте вратата/вратите.
- Не отваряйте често вратата/вратите.
- Не оставяйте вратата/вратите отворени за прекалено дълго време.
- Не настройвайте термостата на по-ниска температура, отколкото е необходимо.
- За ниска консумация на енергия, всички аксесоари, като рафтове, чекмеджета и рафтове на вратите, трябва да се държат в предвидените за тях позиции.

## Защита на околната среда и опаковъчни материали

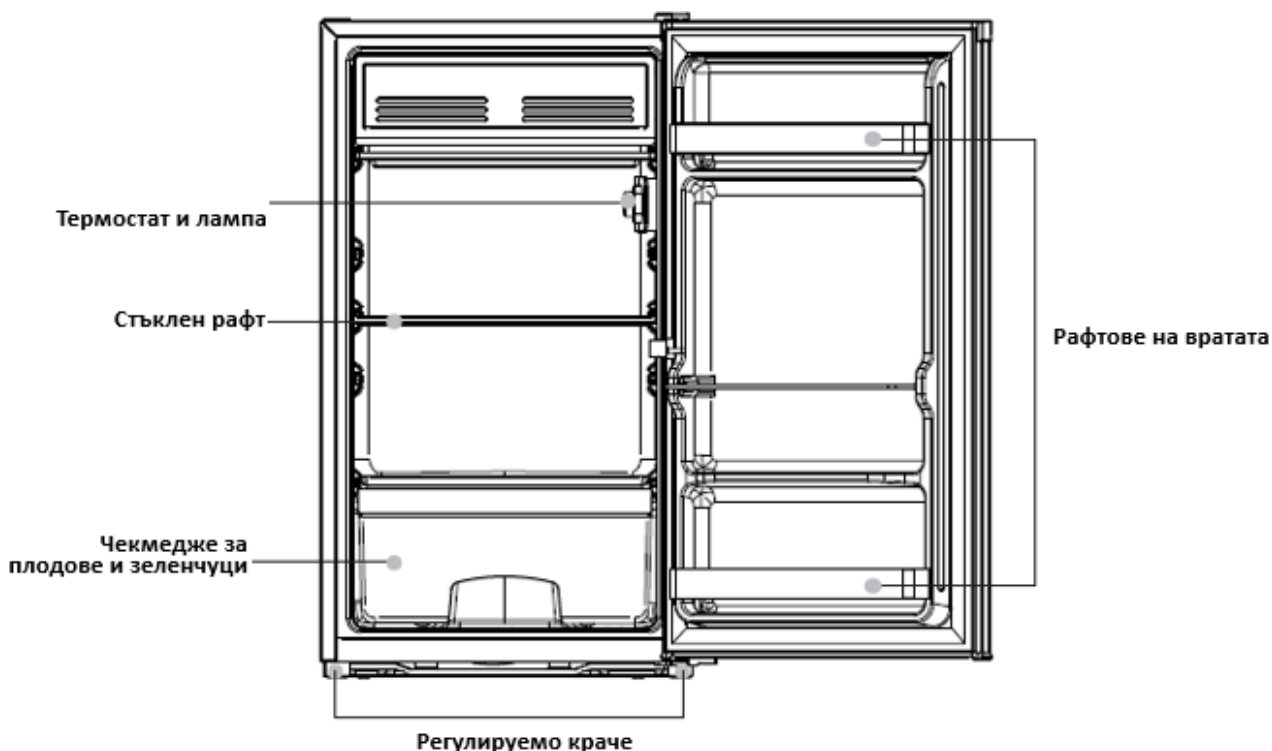
Това устройство не съдържа газове, които биха могли да навредят на озоновия слой, нито в охладителната верига, нито в изолационните материали. Устройството не трябва да се изхвърля

заедно с битовите отпадъци и боклук. Изолационната пяна съдържа запалими газове: устройството трябва да се изхвърля в съответствие с разпоредбите, приети от местните власти. Избягвайте повреди на охладителния блок, по-специално на топлообменника. Символът , отбелязан на някои материали, използвани при производството на устройството показва, че те могат да се рециклират. Материалите обозначени с този символ могат да бъдат рециклирани. Изхвърляйте опаковките в специални контейнери за рециклиране.

### Обезвреждане (изхвърляне) на уреда

- Извадете щепсела от източника за захранване с електроенергия.
- Отрежете захранващият кабел и го изхвърлете.

## 4. ОПИСАНИЕ НА ПРОДУКТА



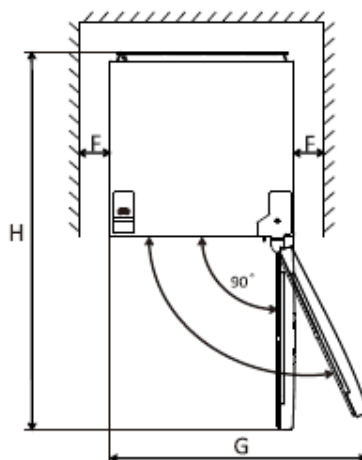
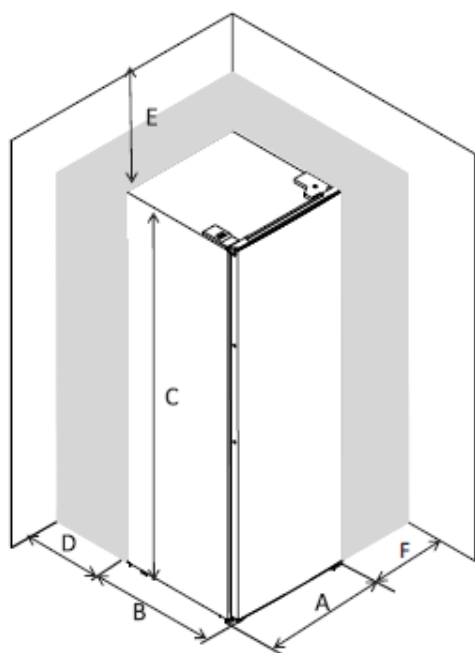
За да бъде този продукт възможно най-ефективен, моля, поставете рафтовете и чекмеджетата в позициите, които са показани в изображението по-горе.

Забележка: Горното изображение служи само за информация. Реалният продукт може да е различен.

## 5. ИНСТАЛИРАНЕ

### Изисквания за пространство

- Изберете място, което да не е изложено на пряка слънчева светлина.
- Изберете място, което да позволява отварянето с лекота на вратите на уреда.
- Изберете място, където подът има гладка повърхност.
- Оставете достатъчно място за инсталиране на уреда върху равна повърхност.
- Оставете място отдясно, отляво, отзад и отгоре в момента на инсталиране. Това ще Ви помогне да намалите консумацията на електроенергия.
- Оставете място най-малко 50 мм отстрани и отзад.



A	480
B	450
C	850
D	min=50
E	min=50
F	min=50
G	960
H	930

## Разположение

Инсталирайте това устройство на място, където температурата на помещението съответства на климатичния клас, посочен в таблицата с техническа информация за уреда.

За хладилни уреди с климатичен клас:

- разширен умерен: този хладилен уред е предназначен да се използва при температура на околната среда от 10°C до 32°C (SN);
- умерен: този хладилен уред е предназначен да се използва при температура на околната среда от 16°C до 32°C (N);
- субтропичен: този хладилен уред е предназначен да се използва при температура на околната среда от 16°C до 38°C (ST);
- тропичен: този хладилен уред е предназначен да се използва при температура на околната среда от 16°C до 43°C (T).

## Място на инсталацията

Устройството трябва да се постави на място далеч от източници на топлина като радиатори, бойлери и пряка слънчева светлина. За да се осигури висока производителност, когато устройството се поставя под окачен шкаф, минималното разстояние между горната част на уреда и окаченият шкаф трябва да бъде най-малко 50 мм. Въпреки това, идеалният начин е, устройството да не бъде поставяно под окачени шкафове. За да поставите устройството точно в хоризонтално положение използвайте регулируемите крачета от основата.

Този хладилен уред не е предназначен за използване като вграден уред.

**Внимание!** Трябва да имате възможност да изключите устройството от източника за захранване; следователно, щепселът трябва да бъде достъпен след инсталиране.

## Свързване към електрическата мрежа

Преди да свържете уреда се уверете, че напрежението и честотата, отбелязани в таблицата с технически данни, съответстват на тези на електрозахранването в дома Ви. Устройството трябва да бъде заземено. За тази цел, щепселът на електрическия кабел е снабден с един контакт. Ако контакта в жилището не е заземен, свържете устройството към отделно заземяване, в съответствие с текущите регламенти, след като се консултирате с квалифициран електротехник.

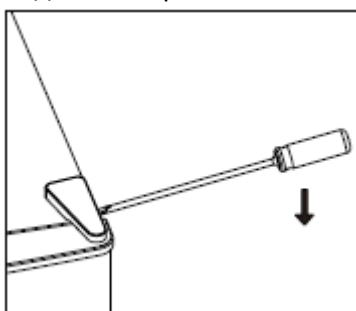
Производителя не поема никаква отговорност, ако тези предпазни мерки не са спазени. Това устройство отговаря на Директивите на ЕИО.

## Реверсивност на вратата

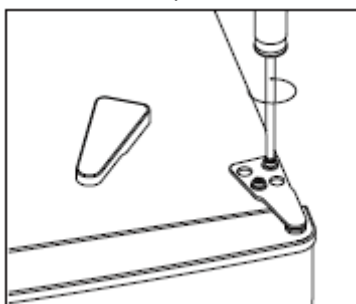
Необходими инструменти: Кръстата отвертка/ Права отвертка/ Шестоъгълен ключ

- Уверете се, че уредът е празен и е изключен от източника за захранване.
- За да извадите вратата, е необходимо да наклоните уреда назад. Уредът трябва да се подпре на здрава повърхност, така че да не се подхлъзне по време на процеса за смяна на посоката на отваряне на вратата.
- Всички демонтирани части трябва да се съхраняват с оглед повторна инсталация на вратата. Не поставяйте уреда върху задната страна, т.к. това може да повреди системата за охлаждане.
- Препоръчва се монтажът да се извърши от двама души.

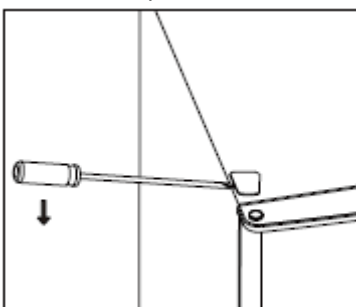
1. Извадете капака на горната панта от дясната страна.



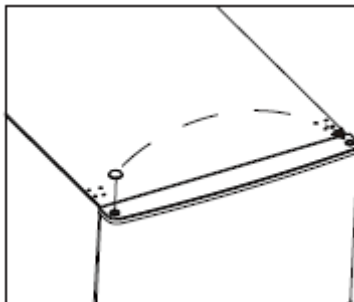
2. Развийте винтовете. Извадете плочата за поддържане на пантата.



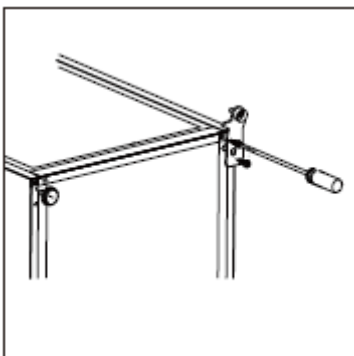
3. Извадете капака на горната панта от лявата страна.



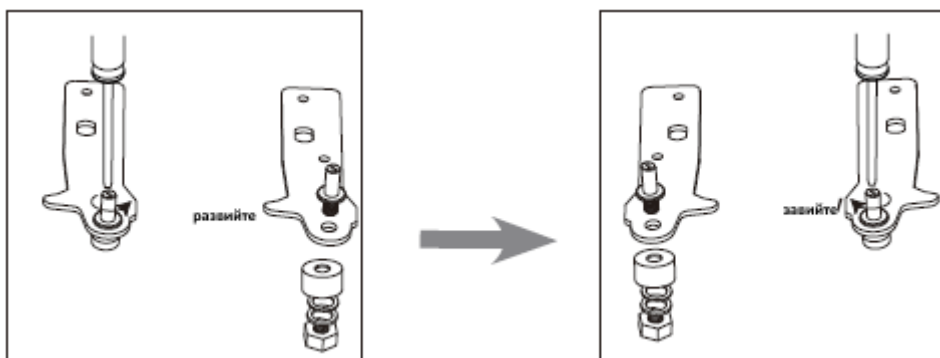
4. Преместете капците на отворите на пантите от лявата към дясната страна. Повдигнете горната врата и я поставете върху мека повърхност, за да предотвратите надраскване.



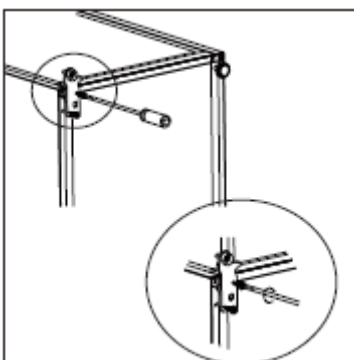
5. Развийте долната панта. След това отстранете регулируемите крачета от другата страна.



6. Развийте и отстранете щифта на долната панта с помощта на плоска отвертка, обърнете фиксиращата плоча и поставете отново болта.

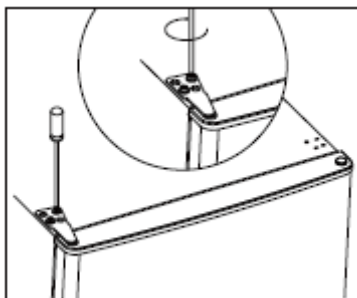


7. Монтирайте отново фиксиращата плоча. Поставете на мястото му регулируемото краче.



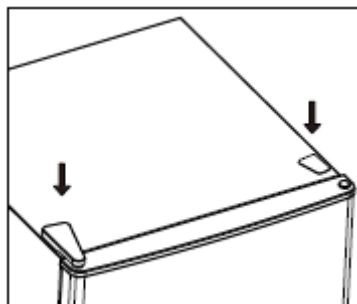
8. Поставете вратата на място. Преди да стегнете горната панта, уверете се, че вратата е подравнена хоризонтално и вертикално, така че уплътненията да бъдат позиционирани правилно.

9. След това вкарайте плочата за поддържане на пантата и фиксирайте я с винтове в горната страна на уреда.

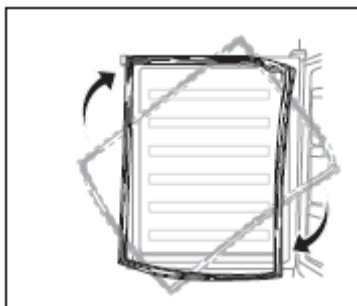


10. Ако е необходимо, използвайте ключ.

11. Поставете капака на пантата и фиксирайте го с винтове.

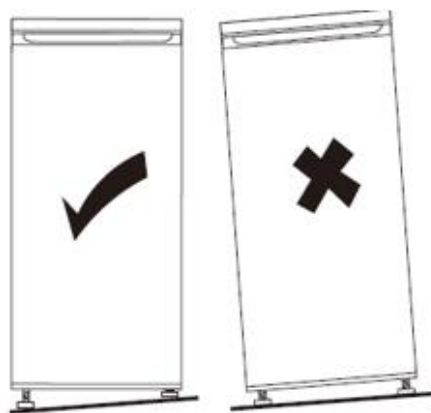
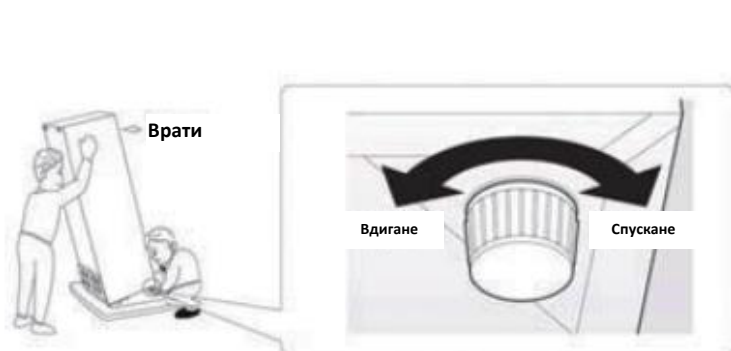


12. Отстранете уплътнението на вратата на хладилното отделение и уплътнението на вратата на фризерното отделение, след което ги закрепете, след като ги завъртите.



## Нивелиране на уреда

За нивелиране на уреда регулирайте двете крачета от предната страна на уреда. Ако уредът не е нивелиран, вратата и магнитните уплътнения няма да бъдат подравнени по съответстващ начин.



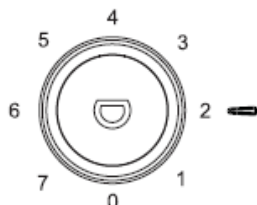
## 6. КОНТРОЛЕН ПАНЕЛ

### Почистване на вътрешната част

Преди да използвате уреда за първи път, измийте вътрешната част и всички вътрешни аксесоари с леко топла вода и с неутрален препарат за миене, за да отстраните специфичната миризма на нов продукт. Важно! Не използвайте абразивни препарати за миене или прахове, защото ще повредят повърхностите.

### Задаване на температурата

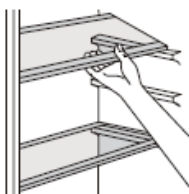
- Включете щепсела в контакта. Вътрешната температура се контролира чрез термостат. На разположение са 8 настройки. Настройка "1" означава най-високата температура, настройка "7" най-ниската температура, а "0" означава ИЗКЛЮЧЕНО.
- Ако уредът е поставен в много топла среда или ако отваряте често вратата, възможно е той да не функционира при правилната температура.



## 7. ЕЖЕДНЕВНА УПОТРЕБА

### Преместваеми рафтове

Рафтовете могат да се монтират в съответните позиции.



### Позициониране на рафтовете върху вратата

За съхранение на храни и напитки с различни размери, рафтовете на вратата могат да бъдат поставени на различни височини. Следвайте долните стъпки с цел регулиране на рафтовете.

Стъпка 1: Извадете рафта.

Стъпка 2: Изберете подходяща позиция и натиснете рафта върху две изпъкнали плочи, докато се фиксира

### Чекмедже за зеленчуци

Тази кутия е подходяща за съхранение на плодове и зеленчуци. Може да се извади изцяло.

## Препоръки относно охлаждането на пресните храни

За получаване на оптимални постижения:

- Не съхранявайте в уреда топла храна или течности, които се изпаряват.
- Покрийте или опаковайте храните, особено ако образуват силни миризми.
- Поставайте храните по съответстващ начин, така че въздухът да може да циркулира свободно около тях.

## Препоръки при охлаждане

Полезни съвети:

- Месото (от всеки вид) се опакова в полиетиленово фолио и се поставя върху стъкления рафт, който се намира над чекмеджето за плодове и зеленчуци.
- За сигурност, съхранявайте месото по този начин само за един или най-много два дни.
- Готвени храни, колбаси и др.: Трябва да се покриват и да се поставят върху произволен рафт.
- Плодове и зеленчуци: Трябва да бъдат добре почистени и трябва да се поставят в чекмеджетата, предназначени за тях.
- Краве масло и сирена: Трябва да бъдат поставени в специални съдове, затворени херметически, или да бъдат увити в алуминиево фолио или в полиетиленови торбички, възможно най-плътно затворени.
- Бутилки с мляко: трябва да бъдат предвидени с капак и трябва да се съхраняват върху рафтовете на вратата.
- Ако не са опаковани, бананите, картофите, лукът и чесънът не трябва да се съхраняват в хладилник.

За да избегнете заразяването на храни, спазвайте инструкциите по-долу:

- Ако вратата на уреда е оставена отворена за дълъг период от време, температурата в отделенията на уреда се увеличава значително.
- Почиствайте периодично повърхностите, които могат да влязат в контакт с храните, както и източващите системи на уреда.
- Съхранявайте суровото месо и прясната риба в подходящи съдове, така че продуктите да не влизат в контакт с други храни.
- Фризерните отделения с две звезди са подходящи за съхранение на предварително замразени храни, за съхранение или приготвяне на сладолед и за производство на кубчета лед.
- Отделенията с една, две и три звезди не са подходящи за замразяване на пресни храни.

Забележка: Моля, съхранявайте храните в подходящите отделения и при препоръчаните температури за съхранение.

- Ако хладилният уред ще бъде оставен празен за дълъг период от време, изключете го, размразете го, почистете го, избършете го добре и оставете вратата му отворена, за да се предотврати образуването на мухъл във вътрешността му.

Пореден номер	Тип на отделението	Препоръчвана температура за съхранение [°C]	Храни
1	Охлаждане	+2 ≤ +6	Яйцата, готвените храни, пакетирани храни, плодовете и зеленчуците, млечните продукти, сладкишите и напитките не са подходящи за замразяване.
2	(***)*- Замразяване	≤-18	Морските дарове (рибата, скаридите, ракообразните), водните и месните продукти са подходящи за замразяване (препоръчва се тяхното съхранение за 3 месеца; колкото повече е времето за съхранение,



			толкова повече се губят вкуса и хранителните свойства).
3	***-Замразяване	$\leq -18$	Морските дарове (рибата, скаридите, ракообразните), водните и месните продукти не са подходящи за замразяване (препоръчва се тяхното съхранение за 3 месеца; колкото повече е времето за съхранение, толкова повече се губят вкуса и хранителните свойства).
4	** -Замразяване	$\leq -12$	Морските дарове (рибата, скаридите, ракообразните), водните и месните продукти не са подходящи за замразяване (препоръчва се тяхното съхранение за 2 месеца; колкото повече е времето за съхранение, толкова повече се губят вкуса и хранителните свойства).
5	*-Замразяване	$\leq -6$	Морските дарове (рибата, скаридите, ракообразните), водните и месните продукти не са подходящи за замразяване (препоръчва се тяхното съхранение за 1 месец; колкото повече е времето за съхранение, толкова повече се губят вкуса и хранителните свойства).
6	Без звезди	$-6 \leq 0$	Прясно свинско, говеждо, телешко и пилешко месо, прясна риба, някои преработени и пакетирани храни и др. (препоръчва се да се консумират в същия ден, за предпочитане до 3 дни)  Преработени храни, частично пакетирани (храни, които не трябва да се замразяват)
7	Охлаждане	$-2 \leq +3$	Прясно/замразено свинско, говеждо, телешко и пилешко месо, водни продукти и др. (тези храни могат да се съхраняват до 7 дни при температури под $0^{\circ}\text{C}$ ; в случай на съхранение при температури, които надвишават $0^{\circ}\text{C}$ , препоръчва се да се консумират в същия ден, за предпочитане до 2 дни) Морски дарове (тези храни могат да се съхраняват до 15 дни при температури под $0^{\circ}\text{C}$ ; не се препоръчва съхранението им при температури, които надвишават $0^{\circ}\text{C}$ )
8	Пресни храни	$0 \leq +4$	Прясно свинско, говеждо, телешко и пилешко месо, готвена храна и др. (препоръчва се да се консумират в същия ден, за предпочитане до 3 дни)
9	Вино	$+5 \leq +20$	Червено вино, бяло вино, пенливо вино и др.

## 8. ПОЧИСТВАНЕ И РАЗМРАЗЯВАНЕ

### Почистване

Поради хигиенни съображения, вътрешността на устройството и вътрешните аксесоари трябва да се почистват редовно.

**Внимание!** По време на почистване, устройството трябва да е изключено от източника на енергия. Опасност от токов удар! Преди да почистите уреда, изключете го и извадете щепсела от контакта или прекъснете общата електрическа верига на жилището. Не почиствайте устройството с парочистачка. Може да се натрупа влага в електрическите компоненти. Горещата пара може да повреди пластмасовите компоненти. Преди да включите отново уреда се уверете, че е сух.

**Важно!** Етеричните масла и органичните разтворители (лимонов сок или сок от портокалова кора, маслена киселина, почистващи вещества, които съдържат оцетна киселина) могат да повредят пластмасовите части на уреда.

- Не допускайте такива вещества да влизат в контакт с частите на устройството.
- Не използвайте абразивни почистващи препарати.
- Извадете храните от фризера. Съхранявайте ги на хладно място и ги покрийте добре.
- Изключете уреда и извадете щепсела от контакта или прекъснете общата електрическа верига на жилището.
- Почистете устройството и вътрешните аксесоари с кърпа и хладка вода. След почистване на уреда, изплакнете с чиста вода и го подсушете със суха кърпа.
- Натрупването на прах върху кондензатора увеличава разхода на електроенергия. Поради тази причина, трябва да почиствате внимателно кондензатора, който се намира зад уреда, един път годишно, с мека четка или с прахосмукачка.
- След като всички компоненти са сухи, можете да включите устройството да работи.

### Размразяване

Изпарителят ще се покрие постепенно с лед. Той трябва да бъде отстранен.

Не използвайте остри метални предмети за отстраняване на леда от изпарителя, защото можете да го повредите

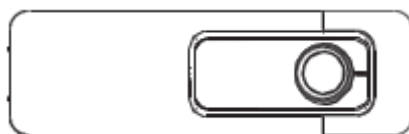
Въпреки това, ако леденият слой стане много дебел, трябва да направите пълно размразяване, както следва:

- Извадете щепсела от контакта.
- Извадете всички съхранявани храни, увийте ги в няколко слоя хартия от вестници и поставете ги на хладно място;
- Оставете вратата отворена и поставете един съд под уреда с цел събиране на водата, която е образувана вследствие на размразяването;
- След приключване на размразяването, избършете добре вътрешната част;

## 9. ОТСТРАНЯВАНЕ НА ПРОБЛЕМИ

### Смяна на крушката

Крушката от вътрешната страна е от тип светодиод. За смяна на крушката, свържете се с квалифициран техник.



**Внимание!** Преди да отстраните повредите, извадете щепсела от контакта. Техническите проблеми, които не са представени в това ръководство, могат да бъдат отстранени само от квалифициран електротехник или от компетентно лице.

**Важно!** По време на нормална употреба, може да чувате шумове (компресорът, циркулация на охлаждащата течност).

Проблем	Възможна причина	Решение
Уредът не работи.	Бутонът за регулиране на температурата се намира в позиция "0".	Завъртете бутона към друга позиция, така че уредът да функционира.
	Щепселът не е поставен правилно в контакта.	Поставете щепсела в контакта.
	Предпазителят е изгорял или е повреден.	Проверете предпазителя. Ако е необходимо, сменете го.
	Електрическият контакт е повреден.	Повредите на източника за захранване с електроенергия трябва да се отстраняват от електротехник.
Храните са твърде топли.	Температурата не е настроена правилно.	Моля прочетете главата относно настройката на температурата.
	Вратата е била оставена отворена за дълъг период от време.	Не дръжте вратата отворена повече време отколкото е необходимо.
	През последните 24 часа е било поставено в уреда голямо количество топли храни.	Завъртете временно бутона на регулатора към по-горна позиция.
	Уредът се намира до източник на топлина.	Моля прочетете главата относно мястото за инсталиране на уреда.
Устройството охлажда прекалено много.	Зададената температура е твърде ниска.	Завъртете временно бутона за регулиране на температурата към подолна позиция.
Необичайни шумове	Устройството не е нивелирано.	Регулирайте крачетата.
	Уредът контактува със стената или с други предмети.	Преместете леко уреда.
	Една компонента (например тръба на уреда) контактува с друга част на уреда или със стената.	Ако е необходимо, сгънете внимателно компонентата, така че да не докосва вече нищо.

Ако неизправността се появи отново, свържете се със сервизния център.

### СЕРВИЗ И ОБСЛУЖВАНЕ НА КЛИЕНТИ

Използвайте само оригинални резервни части.

Когато се свързвате с нашия оторизиран сервизен център, уверете се, че имате под ръка следната информация: Наименование на модела и сериен номер.

Информацията може да бъде намерена на табелката с технически данни. Те подлежат на промяна без предварително уведомление.

### ТЕХНИЧЕСКИ ДАННИ

Техническата информация се намира на табелката с технически данни на уреда и на енергийния етикет.

QR кодът на енергийния етикет, предоставен заедно с уреда, предлага уеб връзка към информацията в базата данни на EPREL относно постиженията на уреда.

Запазете енергийния етикет за бъдещи справки, заедно с ръководството за употреба и с всички други документи, предоставени заедно с този уред.

Също така, можете да намерите същата информация в базата данни на EPREL, като използвате

връзката <https://eprel.ec.europa.eu> и наименованието на модела и серийния номер на продукта, които можете да намерите на табелката с технически данни на уреда.

За достъп до информация за вашия продукт в портала EPREL можете да сканирате кодовете по-долу:

HF-HM90E++



HF-HM90SE++



Благодарим ви, че закупихте този продукт! Ако имате нужда от помощ във връзка с вашия продукт, посетете нашия уебсайт, като използвате връзките по-долу:

Получете ръководства за употреба: <https://www.heinner.ro>

Получете информация относно ремонтите: <https://www.heinner.ro>



**Изхвърляне на отпадъците по начин, отговорен за околната среда**

Можете да помогнете за опазването на околната среда!

Моля спазвайте местните разпоредби: Предайте нефункциониращото електрическо оборудване на център за събиране на отпадъци от електрическо оборудване.



**HEINNER** е регистрирана марка на компанията **Network One Distribution SRL**. Останалите търговски марки и наименованията на продуктите са търговски марки или регистрирани търговски марки на съответните им притежатели.

Нито една част от спецификациите не може да бъде възпроизвеждана под каквато и да е форма или средство, или използвана за получаване на производни като преводи, трансформации или адаптации, без предварителното съгласие на компанията NETWORK ONE DISTRIBUTION.

Copyright © 2013 Network One Distribution. Всички права запазени.

[www.heinner.com](http://www.heinner.com), <http://www.nod.ro>

<http://www.heinner.com>, <http://www.nod.ro>



Този продукт е проектиран и произведен в съответствие със стандартите и нормите на Европейската общност.



Вносител: **Network One Distribution**

ул. Марчел Янку № 3-5, Букурещ, Румъния

Tel: +40 21 211 18 56, [www.heinner.com](http://www.heinner.com), [www.nod.ro](http://www.nod.ro)

# HŰTŐSZEKRENY

Modell:

HF-HM90E++/HF-HM90SE++



- Hűtőszekrény
- Teljes űrtartalom: 90 L
- Energia hatékonysági osztály: E

**HEINNER**

## 1. BEVEZETÉS

Kérjük, figyelmesen olvassa el az utasításokat, és őrizze meg a kézikönyvet későbbi tanulmányozás céljából. A kézikönyv célja a készülék beszerelésével, használatával és karbantartásával kapcsolatos minden szükséges tudnivalót rendelkezésére bocsátani. A készülék helyes és biztonságos használata érdekében, kérjük, hogy beszerelés és használat előtt olvassa el figyelmesen a használati kézikönyvet.

## 2. AZ ÖN CSOMAGJÁNAK TARTALMA

- ➔ **Hűtőszekrény**
- ➔ **Használati kézikönyv**
- ➔ **Jótállási bizonylat**

## 3. BIZTONSÁGI FIGYELMEZTETÉSEK

Az ön biztonsága és a helyes használat érdekében a készülék felállítása és első használata előtt olvassa el figyelmesen a felhasználó kézikönyvét, az ajánlásokkal és figyelmeztetésekkel együtt. A fölösleges tévedések és balesetek elkerülése érdekében fontos meggyőződni arról, hogy minden személy, aki a készüléket használja, ismeri a biztonságos működés módját és a biztonsági intézkedéseket. Őrizze meg ezt a kézikönyvet, és gondoskodjon arról, hogy a készülékkel együtt marad, ha azt elköltöztetnék vagy eladnák, s ily módon bárki használná az élettartama alatt, megfelelőképpen tájékozódhasson a használatáról és a szükséges biztonsági intézkedésekről.

Életének és vagyonának biztonsága érdekében tartsa be a használati kézikönyv előírásait, mivel a mulasztásokból származó károkért a gyártó nem felel.

### **A gyermekek és más érzékeny személyek biztonsága**

- Ezt a készüléket 8 éven felüli gyermekek és szellemileg fogyatékos- sérült vagy tapasztalattal nem rendelkező emberek csak akkor használhatják, ha az értük felelős személy felügyeli őket, illetve előzetesen megértette velük a készülék biztonságos használatát.
- A gyerekekre figyelni kell, nem kell engedni, hogy a készülékkel játszanak.
- A készülék tisztítását és karbantartását nem végezheti felügyelet nélküli gyermek, kivéve, ha elmúlt 8 éves és felügyeljük.
- A csomagolást tartsa gyermekektől elzárt helyen. Vigyázat, fulladásveszély!
- Hogy elkerülje a gyerekek bezáródását a készülék belsejébe, vagy áramütés elszennvedését, mielőtt kidobná a készüléket, húzza ki az aljzathoz, vágja le az áramellátó kábelt (minél közelebb a készülékhez) és szerelje le a készülék ajtaját.
- Ha ez a mágneses ajtóval ellátott készülék, olyan régi készüléket helyettesít, amelynek ajtója, vagy fedele rugóval (retesszel) működik, mielőtt kidobná, bizonyosodjon meg, hogy a rugós rendszer használhatatlan. Így megelőzi, hogy a gyermekek bezáródjanak az eldobott hűtőszekrénybe.
- A 3 éves és idősebb gyermekek számára engedélyezett, hogy behelyezzenek és eltávolítsanak élelmiszereket a hűtőszekrényből (ez csak az EU-országokra vonatkozik).

### **Általános biztonsági intézkedések**

**Figyelmeztetés!** Ellenőrizze, hogy a hűtőszekrény szellőzőnyílásai szabadon álljanak.

**Figyelmeztetés!** Leolvasztáshoz kizárólag a gyártó által ajánlott módszereket használja, ne használjon gépi vagy más eszközt a leolvasztás gyorsítására.

**Figyelmeztetés!** Ne sértse meg a hűtőfolyadék keringési rendszerét.

**Figyelmeztetés!** Ne használjon egyéb elektromos készüléket az élelmiszerek tárolására kialakított rekeszekben (mint például jégkrém készítő gép), csak ha ezek kizárólag a gyártó által ajánlott típusú elektromos készülékek.

**Figyelmeztetés!** Ne érjen hozzá az izzóhoz, ha az egy ideje ég, mert ez nagyon felforrósodhat.

**Figyelmeztetés!** A berendezés elhelyezése során figyeljen arra, hogy a tápkábelt ne nyomja össze és ne rongálja meg.

**Figyelmeztetés!** Ne helyezzen a berendezés mögé elosztókat vagy hordozható áramforrásokat.

- Ne tároljon a készülékben robbanó anyagokat, mint például aeroszolos gyúlékony üzemanyagot tartalmazó sprayeket.
- A készülék hűtőfolyadék rendszere R600a (izobután) hűtőfolyadékot tartalmaz, amely egy természetes gáz, magas szintű környezeti kompatibilitással, de gyúlékony.
- Győződjön meg, hogy szállítás és felállítás idején a hűtőfolyadék keringési rendszerének egyetlen eleme sem rongálódott meg.
  - Kerülje a nyílt láng használatát és a tűzforrásokat.
  - Alaposan szellőztesse ki a helyiséget, amelyben a készülék található.
- A készülék jellegzetességeinek bármely megváltoztatása vagy módosítása veszélyes. A tápkábel bármely megrongálódása rövidzárlatot, tüzet és/vagy áramütést okozhat.
- Ezt a készüléket háztartási használatra és olyan létesítményekben való használatra szánták, mint például:
  - üzletek, irodák és más munkahelyek személyzetének konyhája;
  - háztartási és szállodák, motelek és más hasonló tartózkodási hely típusú környezet;
  - reggelit is felszolgáló panzió típusú környezet;
  - catering típusú és ehhez hasonló, nem kereskedelmi alkalmazások.

**Figyelmeztetés!** Ha az elektromos összetevők bármelyike sérült (aljzat, tápkábel, kompresszor), ezt szakemberrel, vagy erre illetékes személlyel kell cseréltetni.

**Figyelmeztetés!** A készülékkel szállított izzó egy „speciális használatra szánt izzó” és csak ezzel a készülékkel használható. Ez a „speciális használatra szánt izzó” nem használható háztartási világításra (amennyiben a belső tér el van látva izzóval).

- Ne hosszabbítsa meg a tápkábelt.
- Győződjön meg, hogy hátul a dugó nem zúzódott össze és nem rongálódott meg. Az összezúzott vagy megrongálódott dugó túlhevülhet, és kigyulladhat.
- Győződjön meg, hogy mindig hozzáférhet a tápkábelhez.
- Ne rángassa a tápkábelt.
- Ha meglazult az aljzat, amelybe a dugót be kell dugni, ne használja. Áramütés- és tűzveszély léphet fel.
- A készüléket ne használja, ha a hűtőteret világító izzólámpa nem működik.
- A készülék nehéz. Óvatosan költöztesse.
- Ne nyúljon nedves/vizes kézzel a fagyasztott termékekhez, mert fagyégési sebeket, vagy bőrkárosodást szenvedhet.
- Ne tegye ki hosszabb ideig a készüléket közvetlen napfénynek.



### **Figyelem! Tűzveszély!**

A mélyhűtő körfolyam meghibásodása esetén:

- Kerülje a nyílt láng használatát és a tűzforrásokat.
- Alaposan szellőztesse ki a helyiséget, amelyben a készülék található.



**Figyelmeztetés!** A készülék használatakor, karbantartásakor vagy ártalmatlanításakor figyeljen a készülék hátoldalán (a hátlapon vagy a kompresszoron) található, a bal oldalihoz hasonló sárga vagy narancssárga szimbólumra. Ez a tűzveszélyre figyelmeztető szimbólum. A hűtőközeg-vezetékekben és a kompresszorban gyúlékony anyagok vannak jelen. A készüléket használat, karbantartás vagy ártalmatlanítás során tartsa távol a tűzforrásoktól.

## Mindennapos használat

- A készülék műanyag összetevőire ne helyezzen forró tárgyakat.
- Ne helyezze az élelmiszereket közvetlenül a készülék belső hátsó falára.
- A kiolvasztott élelmiszereket ne fagyassza le újra.
- A fagyott élelmiszert az élelmiszergyártó utasításainak megfelelően előcsomagolva tárolja.
- Szigorúan tartsa be a készülék gyártójának a tárolásra vonatkozó ajánlásait. Tanulmányozza a tárolásra vonatkozó utasításokat.
- A mélyhűtőben ne tároljon szénsavas italokat, mivel ez nyomást gyakorol az edényre, amely elrobbanhat, és megrongálhatja a készüléket.
- A fagyasztott élelmiszerek fagyási sérülést okozhatnak, ha közvetlenül a mélyhűtőből kivéve fagyasztja.

## Tisztítás és karbantartás

- A karbantartási műveletek előtt kapcsolja ki a készüléket és húzza ki az aljzatból a dugót.
- Ne tisztítsa a készüléket fémtárgyakkal.
- A jégnek a készülékről való eltávolításához ne használjon éles tárgyakat. Használjon műanyagkaparót. <sup>1)</sup>
- Rendszeresen ellenőrizze a készülék lefolyónyílását. Ha szükséges, tisztítsa meg a lefolyónyílást. Ha a lefolyónyílás eltömődik, a készülék aljában víz fog összegyűlni. <sup>2)</sup>

1) Ha a készülék rendelkezik fagyasztótérrel.

2) Ha a készülék rendelkezik friss élelmiszerek tárolására szolgáló rekeszsel.

## Üzembe helyezés

**Fontos!** Az elektromos áramhoz való csatlakoztatáskor kövesse gondosan az erre vonatkozó utasításokat.

- Csomagolja ki a készüléket, ellenőrizze, hogy nem sérült-e a szállítás során. Ha a készülék sérült, ne csatlakoztassa az áramforráshoz. Ha a készülék sérült, az esetleges sérüléseket jelentse azonnal a forgalmazónak, ahonnan a készüléket vásárolta. Ebben az esetben őrizze meg a csomagolást.
- Javasoljuk, hogy a készülék villamos hálózatra csatlakoztatása előtt várjon legalább négy órát, hogy az olaj folyjon vissza a kompresszorba.
- A készülék körül a levegőnek szabadon kell keringenie; szellőzés hiányában a készülék túlhevülhet. A megfelelő szellőzés érdekében tartsa be a szerelési utasításokat.
- Amennyiben lehetséges, a készülék távolságtartóit helyezze egy fal irányába, hogy elkerülje a meleg részek (kompresszor, kondenzátor) érintését, vagy megfogását, az égési sérülések megelőzése érdekében.
- A készüléket ne helyezze fűtőtestek vagy tűzhelyek közelébe.
- Győződjön meg, hogy a dugóhoz a készülék beszerelését követően is hozzá lehet férni.

## Javítások

- A készülék javításával kapcsolatos elektromos munkákat minősített villanyszerelőnek vagy illetékes személynek kell elvégeznie.
- A készüléket engedélyezett szervizben kell javíttatni, és kizárólag eredeti pótalkatrészeket kell használni.


## Energiatakarékosság

- Ne helyezzen a hűtőszekrénybe meleg élelmiszereket.
- Ne tárolja az élelmiszereket szorosan egymás mellett, mert ez megakadályozza a levegő áramlását.
- Győződjön meg, hogy az élelmiszerek nem érnek hozzá a rekesz/rekeszek hátsó falához;
- Áramkimaradás esetén ne nyissa ki az ajtót/ajtókat.
- Ne nyissa ki túl gyakran az ajtót/ajtókat.
- Ne tartsa nyitva az ajtót/ajtókat hosszabb ideig.
- Ne állítsa a készülék hőszabályozóját a szükségesnél alacsonyabb hőfokra.
- Az alacsony energiafogyasztás érdekében minden tartozékot, például a polcokat, fiókokat és az ajtópolcokat az előre meghatározott pozícióban kell elhelyezni.

## Környezetvédelem és csomagolóanyagok

Ez a készülék sem a hűtőfolyadék-keringető rendszerben, sem a szigetelő anyagokban nem tartalmaz az ózonréteget károsító gázokat. A készüléket nem szabad a lakossági hulladékkal és szeméttel együtt kidobni. A szigetelőhab gyúlékony gázokat tartalmaz: a készüléket a helyi hatóságoktól beszerezhető vonatkozó rendelkezésekkel összhangban kell hulladékba helyezni. Vigyázzon, ne sérüljön meg a hűtőegység, különösen



hátul a hőcserélő környéke. A készüléken használt és  szimbólummal megjelölt anyagok újrahasznosíthatóak.

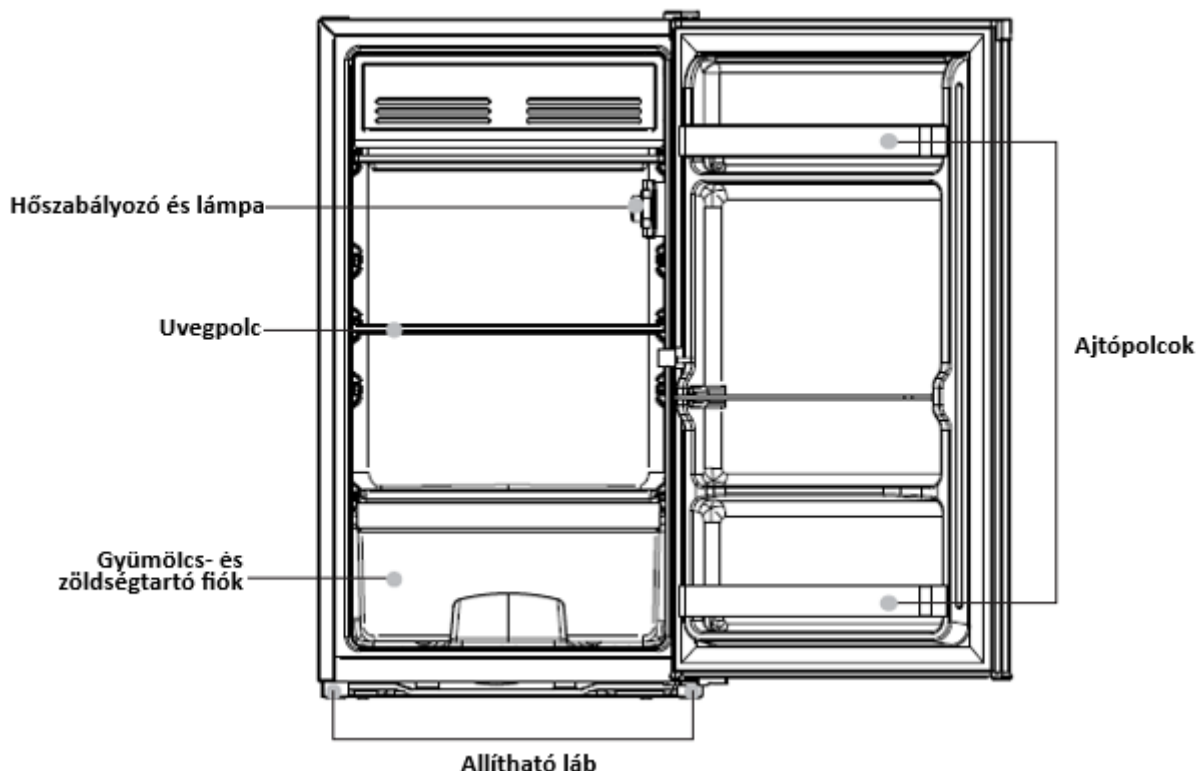
Ezzel a jelzéssel ellátott csomagolóanyagok újrahasznosíthatók.

A csomagolóanyagot dobja az újrahasznosításra kijelölt speciális konténerekbe.

## A termék eltávolítása

- Húzza ki a készüléket a csatlakozóaljzatból.
- Vágja el a vezetéket, és dobja el.

## 4. A TERMÉK LEÍRÁSA



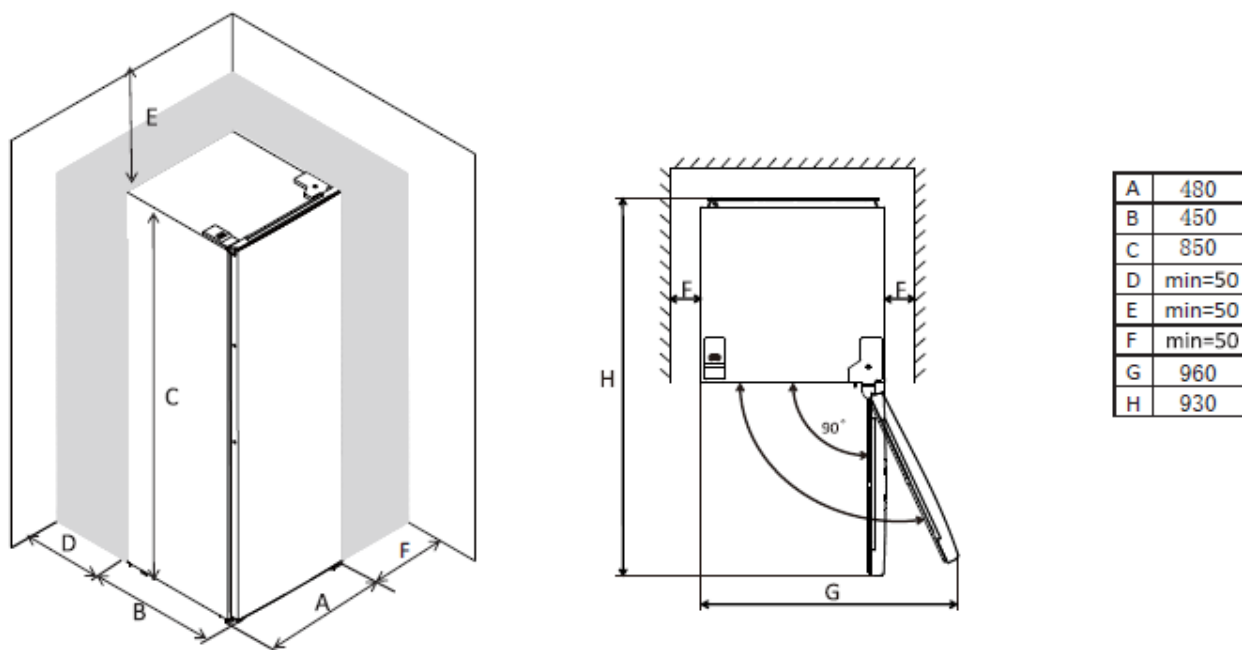
Annak érdekében, hogy ennek a terméknek minél nagyobb hatékonyságot biztosítson, kérjük, a polcokat és a fiókokat a fenti ábrán jelölt módon helyezze el.

Megjegyzés: A fenti ábra kizárólag tájékoztató jellegű. A valós termék különbözhet.

## 5. FELSZERELÉS

### A térközre vonatkozó követelmények

- Olyan helyet válasszon, ahol a hűtőszekrényt nem éri direkt módon a nap sugarai.
- Olyan helyet válasszon, ahol a készülék ajtóit könnyen ki lehet nyitni.
- Helyezze készülékét egyenes helyre.
- Hagyon elegendő helyet, hogy sík felületen legyen a készülék egésze.
- A készülék elhelyezésekor hagyjon helyet a készülék jobb és bal oldalán, hátsó felénél és a készülék fölött. Ezzel csökkentheti az elektromos energia fogyasztást.
- Hagyon szabadon legkevesebb 50 mm helyet a készülék mindkét oldalán és a hátoldalon is.



## Elhelyezés

Kérjük, helyezze a készüléket olyan helyre, ahol a környezeti hőmérséklet megfelel a készülék műszaki adatokat tartalmazó lapján található klímaosztálynak.

A valamely klímaosztályba tartozó hűtőkészülékek esetében:

- kiterjesztett mérsékelt övi: Ezt a hűtőkészüléket 10°C és 32°C közötti környezeti hőmérsékleten való használatra tervezték (SN);
- mérsékelt övi: Ezt a hűtőkészüléket 16°C és 32°C közötti környezeti hőmérsékleten való használatra tervezték (N);
- szubtrópusi övi: Ezt a hűtőkészüléket 16°C és 38°C közötti környezeti hőmérsékleten való használatra tervezték (ST);
- trópusi övi: „Ezt a hűtőkészüléket 16°C és 43°C közötti környezeti hőmérsékleten való használatra tervezték (T).

## A beszerelés helye

A készüléket a hőforrásoktól, mint fűtőtestek, melegvíz-tároló és a közvetlen napfénytől távol kell elhelyezni. A jó teljesítmény biztosítása érdekében, amennyiben a készülék egy felfüggesztett bútordarab alá van elhelyezve, a készülék felső része és a bútor közötti távolságnak minimum 50 mm-nek kell lennie. Mindazonáltal, ideális körülmények között, kerülni kell a készülék felfüggesztett bútor alá helyezését. A pontos vízszintbe helyezést a készülék alján található, állítható lábak biztosítják.

Ez a hűtőszekrény nem használható beépített készülékként.

**Figyelmeztetés!** A beszerelt készüléknél az elektromos vezetéknek és a konnektornak könnyen hozzáférhetőnek kell lennie a beszerelést követően, a csatlakoztatás megszakítása érdekében.

## Csatlakoztatás az áramforráshoz

A csatlakoztatás előtt győződjön meg, hogy az adatlapon szereplő áramfeszültség és frekvencia megfelel a házi áramellátásnak. A készüléket le kell földelni. Ennek céljából, a villásdugót ellátták egy érintkezővel. Amennyiben a házi áramellátás nem földeléses, külön földelés szükséges, az érvényes rendszabályoknak megfelelően, lépjen kapcsolatba egy szakképzett villanyszerelővel.

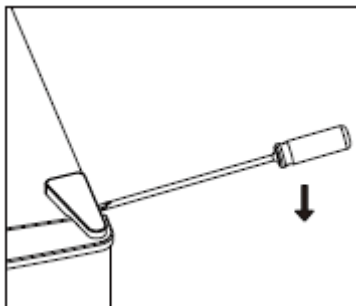
A gyártó nem vállal semmilyen felelősséget a termékkel kapcsolatban, amennyiben a fenti biztonsági intézkedések nincsenek betartva. Ez a készülék megfelel a CEE rendelkezésnek.

## Az ajtó nyitási irányának megváltoztatása

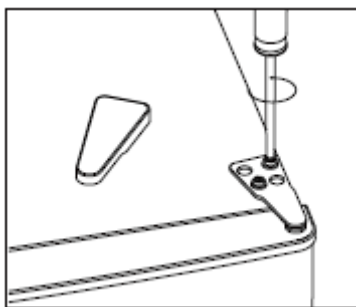
Szükséges szerszámok: Csillagcsavarhúzó/ Lapos csavarhúzó/ Hexagon kulcs

- Ellenőrizze, hogy a gép üres, és kihúzta az áramforrásból.
- Az ajtó eltávolítása érdekében a berendezést hátrafelé kell megdönteni. A készüléknek szilárd, sima tartófelületen kell állnia, hogy a ne csúszhasson meg, miközben az ajtó nyitásának irányát megfordítják.
- A szekrényajtó visszaszerelésének érdekében minden leszerelt alkatrészt meg kell őrizni. Ne helyezze a készüléket a hátára, mivel ezzel károsulhat a hűtőrendszer.
- Javasoljuk, hogy a szerelést két ember végezze.

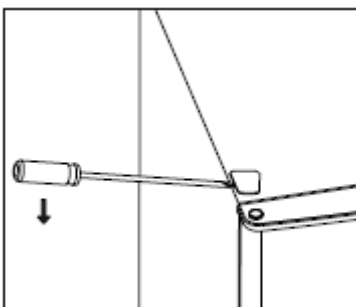
1. Vegye le a jobb felső sarok borítóját.



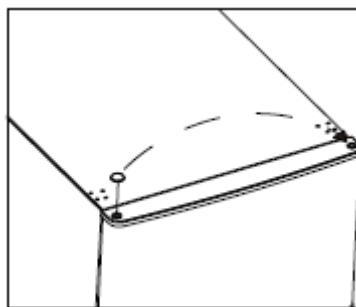
2. Csavarja ki a csavarokat. Vegye le a sarok tartólemezt.



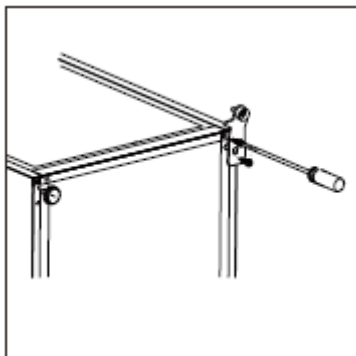
3. Vegye le a bal felső sarok borítóját.



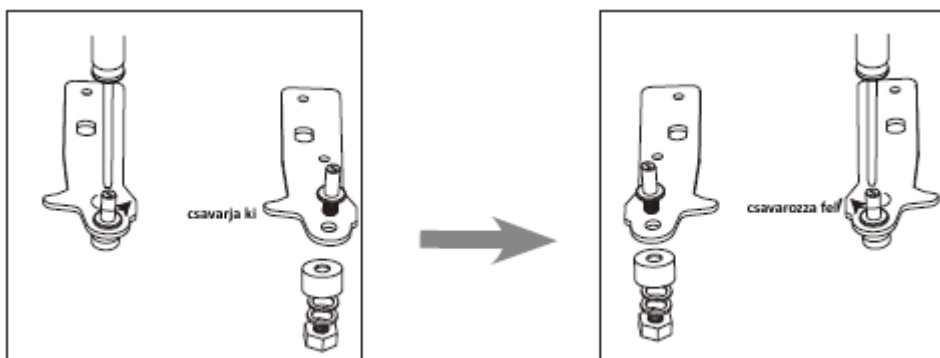
4. Mozgassa át a zsanérnyílások fedeleit a bal oldalról a jobb oldalra. Emelje fel a felső ajtót, és helyezze egy puha felületre, hogy elkerülje a karcolásokat.



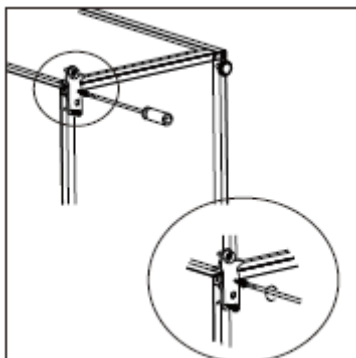
5. Csavarja ki az alsó zsanért. Ezután távolítsa el az állítható lábakat a másik oldalon.



6. Csavarja ki és távolítsa el az alsó zsanércsapot egy egyenes fejű csavarhúzóval, fordítsa el a rögzítőlemezt és helyezze vissza a csavart.

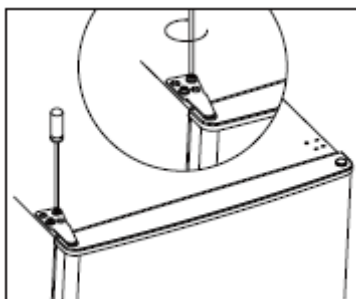


7. Helyezze vissza a rögzítőlemezt. Cserélje vissza az állítható lábat.



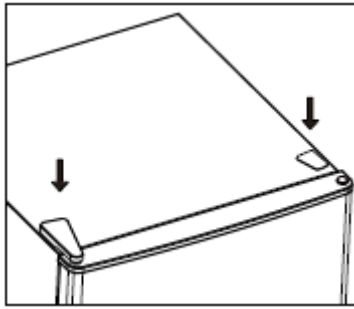
8. Helyezze vissza az ajtót a helyére Mielőtt a felső sarkat is rögzítené, győződjön meg, hogy az ajtó úgy vízszintes mint függőleges irányban jól helyezkedik el, az ajtó tömítései megfelelő helyen legyenek.

9. Aztán tegye a helyére és rögzítse a készülékhez csavarokkal a felső részen a sarok tartólemezt.

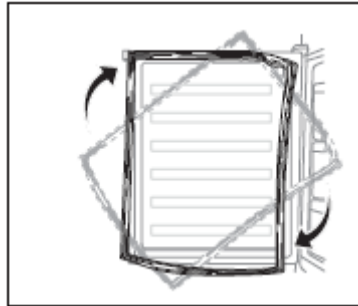


10. Ha szükséges, használjon kulcsot.

11. Helyezze el és csavarokkal rögzítse a sarok borítóját.

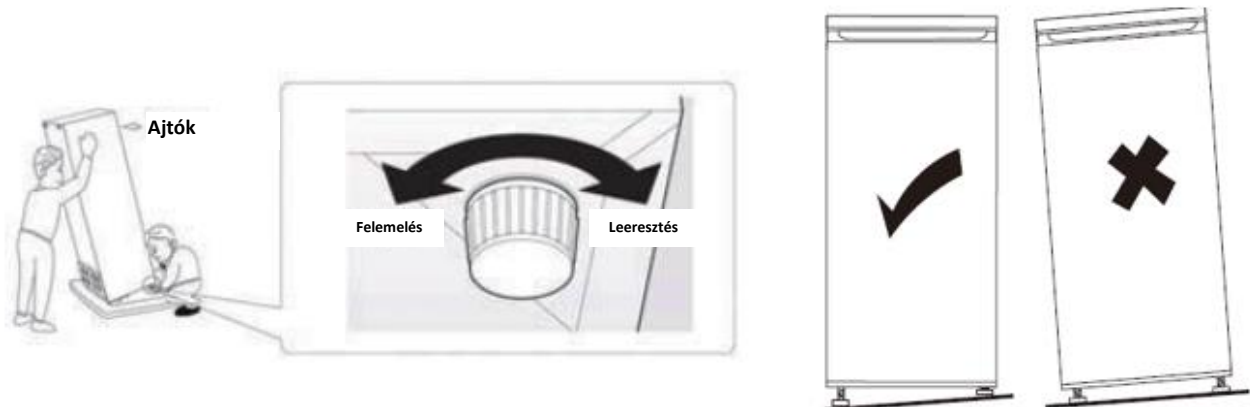


12. Vegye le a hűtőrekesz ajtó tömítését és a fagyasztórekesz ajtó tömítését, majd megfordítás után rögzítse őket.



## A készülék kiegyensúlyozása

A készülék kiegyensúlyozásához, használja a készülék első felén található állítható lábakat. Ha a készülék nincs kiegyensúlyozva, az ajtó és a mágneses tömítés nem fognak megfelelően illeszkedni.



## 6. VEZÉRLŐPANEL

### A készülék belsejének tisztítása

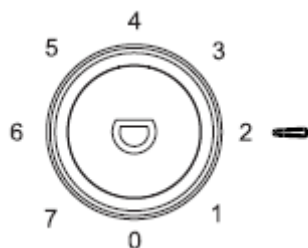
Mielőtt először használná, törölje le a készülék belsejét és minden belső tartozékát langyos vízzel és semleges tisztítószerrel, hogy elűzhesse az új termékekre jellemző szagot.

Fontos! Ne használjon maró hatású vegyszereket, mert ezek károsítják a készülék felületeit.

### Hőmérséklet beállítása

- Csatlakoztassa a dugaszt az aljzathoz. A belső hőmérsékletet termosztát segítségével lehet szabályozni. 8 beállítás áll rendelkezésre. Az 1 állásban a legmagasabb, a 7-es állásban a legalacsonyabb hőmérsékletet állíthatjuk be, a 0 állás pedig a KIKAPCSOLÁS.

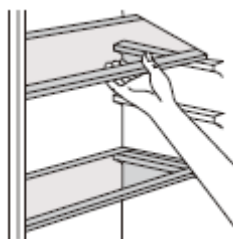
- Ha nagyon meleg környezetbe helyezi a készüléket, vagy gyakran nyitogatja az ajtóját, megtörténhet, hogy nem működik a megfelelő hőmérsékleten.



## 7. MINDENNAPOS HASZNÁLAT

### Elmozdítható rácsok

A polcokat a megfelelő pozíciókba lehet szerelni.



### Az ajtón lévő polcok elhelyezése

Különböző méretű élelmiszerek vagy italok tárolása végett, az ajtóban levő polcokat különböző magasságokra lehet helyezni. Kövesse az alábbi lépéseket a polcok áthelyezése érdekében:

1. lépés: Vegye ki a polcot.
2. lépés: Válassza ki a megfelelő magasságot és nyomja be a polcot a két ívelt lemeznél, amíg rögzül.

### Zöldséges fiók

Ezt a fiókot zöldségek és gyümölcsök tárolására használhatja. Ez teljesen kivehető.

### Ajánlatok a friss élelmiszerek hűtött tárolásához

Az optimális teljesítmény érdekében:

- Ne helyezzen be a készülékbe meleg ételt vagy párolgó folyadékot.
- Fődjé be vagy csomagolja be az ételeket, élelmiszereket, különösen abban az esetben, ha ezek erős szagot árasztanak.
- Helyezze el az élelmiszereket megfelelő módon, azaz úgy, hogy a levegő szabadon keringhessen körülöttük.

### Javaslatok a hűtéshez

Hasznos tanácsok:

- A húst (bármely fajtát) polietilén fóliába csomagoljuk és a zöldségek és gyümölcsök részére kialakított fiók fölötti üvegpolcra helyezzük.
- A biztonság érdekében, ilyen módon legfeljebb egy vagy két napig tárolja így a húst.
- A főtt ételek, a felvágottak stb.: ezeket le kell takarni és bármely polcon elhelyezni.

- Gyümölcsök és zöldségek: ezeket jól meg kell pucolni és elhelyezni az ezeknek szánt fiókokba.
- Vaj és sajtfélék: ezeket speciális tárolóedénybe kell helyezni, melyek hermetikusan zárnak vagy legalább alumínium vagy polietilén fóliába tekerni a lehető legszorosabban.
- Tej: jól záró üvegben, a hűtőszekrény ajtajában levő polcon kell tárolni.
- Ha nincsenek becsomagolva, a banánt, a krumplit, a hagymát és a fokhagymát ne tárolja a hűtőszekrényben.

Annak érdekében, hogy az élelmiszerek ne romoljanak meg, tartsa be az alábbi utasításokat:

- Ha a készülék ajtója huzamos ideig nyitva van, akkor a készülék rekeszeiben a hőmérséklet jelentősen megnő.
- Tisztítsa rendszeresen azokat a felületeket, amelyekkel az élelmiszerek érintkezhetnek, valamint a készülék lefolyó rendszerét is.
- A nyers húst valamint a friss halat tárolja megfelelő edényekben, hogy ne érintkezzen más élelmiszerekkel.
- A két csillaggal jelölt fagyasztó a gyorsfagyasztott élelmiszerek tárolására, fagyalt készítésére vagy tárolására és jégkocka készítésére alkalmas.
- Az egy, két és három csillagos fagyasztó a friss ételek fagyasztására nem alkalmas.

Megjegyzés: Kérjük, tárolja az élelmiszereket a nekik megfelelő rekeszekben és a nekik megfelelő hőmérsékleten.

- Ha a fagyasztó készülék hosszú ideig üres, kapcsolja ki, takarítsa ki, törölje ki jól és hagyja az ajtaját nyitva, hogy megelőzze a penész keletkezését a készülék belsejében.

Sorszám:	Fagyasztó rész típusa:	Javasolt tárolási hőmérséklet [°C]	Élelmiszer
1	Hűtés	+2≤+6	Tojás, főtt ételek, csomagolt élelmiszer, gyümölcs és zöldség, tejtermék, a sütemények és italok fagyasztása nem megengedett.
2	(***)*-Fagyasztás	≤-18	A tenger gyümölcsei, hal, garnélarák, rákfélék, akvakultúra-termékek és a húsfélék fagyasztása javasolt (javasolt tárolási idő 3 hónap, a tárolási idő növekedésével fokozatosan veszítenek az ízükből és tápértékükből. )
3	***-Fagyasztás	≤-18	A tenger gyümölcsei, hal, garnélarák, rákfélék, akvakultúra-termékek és a húsfélék fagyasztása nem javasolt (javasolt tárolási idő 3 hónap, a tárolási idő növekedésével fokozatosan veszítenek az ízükből és tápértékükből. )
4	** -Fagyasztás	≤-12	A tenger gyümölcsei, hal, garnélarák, rákfélék, akvakultúra-termékek és a húsfélék fagyasztása nem javasolt (javasolt tárolási idő 2 hónap, a tárolási idő növekedésével fokozatosan veszítenek az ízükből és tápértékükből. )
5	*-Fagyasztás	≤-6	A tenger gyümölcsei, hal, garnélarák, rákfélék, akvakultúra-termékek és a húsfélék fagyasztása nem javasolt (javasolt tárolási idő 1 hónap, a tárolási idő növekedésével fokozatosan veszítenek az ízükből és tápértékükből. )

6	Csillag nélkül	-6≤0	Friss disznó-, borjú- és csirkehús, friss hal, különböző feldolgozott és csomagolt élelmiszerek stb. (javasolt azon a napon elfogyasztani, illetve legkésőbb három napon belül.) Feldolgozott élelmiszerek, részben csomagolva (nem fagyasztható élelmiszerek)
7	Hűtés	-2≤+3	Friss/fagyasztott disznó, borjú, csirke hús, akvakultúra-termékek, stb. (ezeket az élelmiszereket legtöbb 7 napot lehet tárolni 0°C alatti hőmérsékleten; 0 °C fölötti hőmérsékleten való tárolás esetén javasolt még aznap de legtöbb 2 napon belül elfogyasztani.) Tenger gyümölcsei (ezeket az élelmiszereket 15 napot lehet tárolni 0°C alatti hőmérsékleten, ezek tárolását nem javasolják 0°C fölött. )
8	Friss élelmiszerek	0≤+4	A friss disznó-, borjú-, csirkehús, főtt étel stb. (javasolt ugyanazon a napon vagy legkésőbb 3 napon belül elfogyasztani)
9	Bor	+5≤+20	vörös bor, fehér bor, pezsgőbor stb.

## 8. TISZTÍTÁS ÉS KIOLVASZTÁS

### Tisztítás

Higiéniiai okokból a készülék belsejét, ideértve a tartozékokat is, rendszeresen tisztítani kell.

**Figyelem!** A készüléket húzza ki az elektromos hálózatról a tisztítás idejére. Áramütés veszély! Tisztítás előtt kapcsolja ki a készüléket, és húzza ki a konnektorból, vagy szakítsa meg az áramellátást vezérlő gombtól, illetve a főbiztosítéktól. A tisztításhoz soha ne használjon gőzkeltő készüléket. A nedvesség lerakódhat az elektromos összetevőkben. A meleg gőz megrongálhatja a műanyag részeket. Üzembe visszahelyezés előtt, győződjön meg, hogy a készülék teljesen kiszáradt.

**Fontos!** Az étrolajok és a szerves oldószerek, mint például a citromlé vagy a narancshéj leve, a vajsav, az ecetsavat tartalmazó tisztítószerek, megrongálhatják a műanyag részeket.

- Ne hagyja, hogy ilyen anyagok a készülék komponenseivel érintkezzenek.
- Ne használjon dörzshatású tisztítószereket.
- Vegye ki az élelmiszereket. Helyezze hűvös helyre, jól letakarva.
- Kapcsolja ki a készüléket, és húzza ki a konnektorból, vagy szakítsa meg az áramellátást vezérlő gombtól, illetve a főbiztosítéktól.
- A készüléket és a belső részeket mossa le egy törlőkendővel, langyos vízzel. Tisztítás után öblítse le tiszta vízzel és törölje szárazra egy száraz törlőkendővel.
- A kondenzátoron felgyülemlt por növeli a készülék energiafogyasztását. Ezért, évente egyszer puha kefével vagy porszívóval tisztítsa meg a készülék hátsó felén található kondenzátort.
- Miután minden összetevő teljesen kiszáradt, helyezze ismét működésbe a készüléket.

### Kiolvasztás

A párologtatót fokozatosan be fogja lepni a jég. Ezt el kell távolítani.

Ne használjon hegyes fémtárgyakat a jég eltávolításához a párologtatóról, mert ez megsérülhet.

Mindazonáltal, ha a jégréteg nagyon vastag, teljes leolvasztás javasolt, a következőképpen:

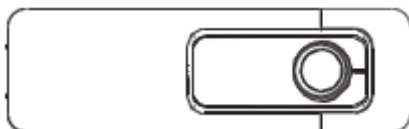


- Húzza ki a tápkábel dugaszát a fali csatlakozóaljzathoz.
- Vegye ki az összes benn tárolt élelmiszert, csomagolja be azokat több rétegnyi vastagságú újságpapírba, majd helyezze hűvös helyre;
- Hagyja nyitva az ajtót és a kifolyó olvadékvíz felfogása érdekében helyezzen a berendezés alsó részéhez egy edényt;
- Miután a berendezés teljesen kiolvadt, törölje ki jól annak belsejét.
- A berendezés újraindításához helyezze vissza a dugaszt a hálózati aljzatba.

## 9. HIBAEHÁRÍTÁS

### Az izzó cseréje

A hűtőszekrény belső lámpája LED rendszerű. Ennek cseréje érdekében forduljon szakképzett személyhez.



**Figyelem!** Hibaelhárítás előtt húzza ki a készüléket a villamos hálózathoz. Azokat a hibákat, amelyek nem szerepelnek ebben a kézikönyvben, kizárólag szakosított villanyszerelő, vagy illetékes személy háríthatja el.

**Fontos!** A szokványos használat alatt hallatszik néhány zaj (kompresszor, a hűtőfolyadék áramlása).

Probléma	Esetleges ok	Megoldás
A készülék nem működik	A hőmérsékletet szabályozó állítógomb a „0” állásban maradt.	A berendezés működtetése érdekében csavarja el a gombot egy másik állásba.
	A dugasz nincs megfelelő módon csatlakoztatva a fali csatlakozóaljzathoz.	Csatlakoztassa a gépet az áramforráshoz.
	A biztosíték kiégett vagy meghibásodott.	Ellenőrizze a biztosítékot. Szükség esetén cserélje ki.
	A dugasz meghibásodott.	A villamossági rendszer meghibásodásait kizárólag szakképzett villanyszerelővel javíttassa meg.
Az élelmiszerek túl melegek.	A hőmérséklet értéke nem megfelelő.	Olvassa el a hőmérséklet szabályozását leíró részt.
	Az ajtó túlságosan hosszú ideig maradt nyitva.	Ne tartsa nyitva az ajtót a szükségesnél hosszabb ideig.
	Az elmúlt 24 órában nagy mennyiségű meleg élelmiszer került be a hűtőszekrénybe.	Ideiglenesen csavarja el a hőmérsékletállító gombot egy magasabb állásba.
	A berendezés egy hőforráshoz közel helyezkedik el.	Kérjük, olvassa el a berendezés elhelyezésére vonatkozó részeket.
A berendezés túlságosan hűt.	A beállított hőmérséklet túl alacsony.	Ideiglenesen csavarja el a hőmérsékletállító gombot egy alacsonyabb állásba.
Szokatlan zajok	A készülék nem áll stabilan.	Állítsa a lábak magasságát.
	A készülék a fallal vagy egyéb tárgyakkal érintkezik.	Mozdítsa el kicsit a berendezést.
	Egy adott alkatrész (például a készülék egyik csöve) a falhoz vagy egy másik alkatrészhez ér hozzá.	Amennyiben szükséges, óvatosan hajlítsa meg az alkatrészt, hogy az semmihez se érhesen hozzá.

Ha a hiba ismét jelentkezik, forduljon a szervizközponthoz.

## SZERVIZ ÉS ÜGYFÉLSZOLGÁLAT

Kizárólag eredeti cserealkatrészeket használjon.

Mielőtt felvenné a kapcsolatot az engedélyezett szakszervizünkkel, győződjön meg róla, hogy a következő adatok a rendelkezésére állnak: Modell megnevezése és sorozatszám

Ezeket az adatokat a készülék műszaki adattábláján találja. Ezek az adatok előzetes értesítés nélkül is megváltoztathatók.

## MŰSZAKI ADATOK

A termék műszaki adatai a készülék műszaki adattábláján és az energiacímkéjén vannak feltüntetve.

A hűtőszekrény energiacímkéjén található QR-kód egy internetes linket biztosít a készülék teljesítményével kapcsolatos információkhoz, melyek az EPREL adatbázisban találhatóak.

Utólagos tanulmányozás céljából, őrizze meg az energiacímkét a használati útmutatóval valamint a készülék egyéb dokumentumaival együtt.

Úgyszintén, ezeket az információkat az EPREL adatbázisban is megtalálja. Ennek érdekében használja a következő linket: <https://eprel.ec.europa.eu> és adja meg a termék megnevezését és sorozatszámát, amelyeket a készülék műszaki adattábláján talál.

A termékével kapcsolatos információk eléréséhez az EPREL portálon beolvashatja az alábbi kódokat:

HF-HM90E++



HF-HM90SE++



Köszönjük, hogy termékünket választotta! Ha termékével kapcsolatosan további információra van szüksége, keresse fel honlapunkat az alábbi linkeket használva:

A használati útmutatókat innen töltheti le: <https://www.heinner.ro>

A javításokra vonatkozó adatokat itt találja: <https://www.heinner.ro>



### A hulladékok környezetfelelős eltávolítása

Segíthet a környezet védelmében!

Kérjük, tartsa be a helyi rendelkezéseket: a nem működő elektromos berendezéseket a használt elektromos hulladékokat gyűjtő központba szolgáltatassa be.



A HEINNER a Network One Distribution SRL(KFT) társaság által bejegyzett védjegy. A többi márkajelzés és a termékek megnevezése kereskedelmi vagy az illető birtoklók által bejegyzett márkanevek.

A műszaki leírások egyik része sem reprodukálható semmilyen formában és semmilyen módon, és nem használható fel fordításra, átváltoztatásra vagy alkalmazásra a NETWORK ONE DISTRIBUTION társaság előzetes beleegyezése nélkül.

Copyright © 2013 Network One Distribution. Minden jog fenntartva.

[www.heinner.com](http://www.heinner.com), <http://www.nod.ro>

<http://www.heinner.com>, <http://www.nod.ro>



A terméket az Európai Közösség előírásainak és jogszabályainak megfelelően tervezték és gyártották.



Importator: **Network One Distribution**

Str. Marcel Iancu, nr. 3-5, București, România

Tel: +40 21 211 18 56, [www.heinner.com](http://www.heinner.com), [www.nod.ro](http://www.nod.ro)