

HOT AIR FRYER

Model: BlackMatte

HAF-B4BK1500



- Capacity: 4L
- Power: 1500 W
- Temperature 80-200C

HEINER

1. INTRODUCTION

Please read the instructions carefully and keep the manual for future information.

This manual is designed to give all necessary instructions concerning installation, use and maintenance of the unit. In order to operate the unit correctly and safely, please read this instruction manual carefully before installation and use.

2. CONTENT OF YOUR PACKAGE

- ➔ **Hot air fryer**
- ➔ **User manual**
- ➔ **Certificate of warranty**
- ➔ **Declaration of conformity**

3. SAFETY INSTRUCTIONS

GENERAL

When using electrical appliances, basic safety precautions should always be followed including the following:

1. Read all instructions.
2. Do not touch hot surfaces.
3. To protect against electric shock do not immerse cord, plugs, or base in water or other liquid.
4. **WARNING:** This electrical appliance contains a heating function. Surfaces, also different than the functional surfaces, can develop high temperatures. Since temperatures are differently perceived by different persons, this equipment shall be used with **CAUTION**. The equipment shall be touched only at intended handles and gripping surfaces and use heat protection like gloves or similar. Surfaces other than intended gripping surfaces shall get sufficiently time to cool down before getting touched.
5. Unplug from outlet when not in use and before cleaning. Allow to cool before putting on or taking off parts.
6. Type Y: If the supply cord is damaged, it must be replaced by the manufacturer, its service agent or similarly qualified persons in order to avoid a hazard.
7. The use of accessory attachments not recommended by the appliance manufacturer may cause injuries.
8. Do not use outdoors
9. Do not let cord hang over the edge of table or counter or touch hot surfaces.
10. Do not place on or near a hot gas or electric burner, or in a heated oven.
11. Extreme caution must be used when moving an appliance containing hot oil or other hot liquids.
12. Always attach plug to appliance first, then plug cord in the wall outlet. To disconnect, turn any control to "off," then remove plug from wall outlet.
13. Do not use appliance for other than intended use.
14. This appliance can be used by children aged from 8 years and above and persons with reduced physical, sensory or mental capabilities or lack of experience and knowledge if they have been given supervision or instruction concerning use of the appliance in a safe way and understand the hazards involved.

Children shall not play with the appliance. Cleaning and user maintenance shall not be done by children unless they are older than 8 and supervised.

15. Keep the appliance and its cord out of reach of children less than 8 years.

16. The appliances are not intended to be operated by means of an external timer or separate remote-control system.

Important

-Children aged 8 years and older, and persons with reduced physical, sensory or mental capacity or lack of experience and knowledge may use the appliance provided that they are supervised or instructed in safe use of the appliance and understand the dangers involved.

-Children are not allowed to play with this appliance. Children are not permitted to clean and use for maintenance unless they are over 8 years old and have a guardian.

-Keep out of reach of children under 8 years old.

-Do not immerse the housing containing the electrical components and heating elements in water and do not rinse them under the tap.

-Do not allow any water or other liquids to enter the appliance to prevent electric shock.

-The ingredients to be cooked must be placed in a fryer or baking pan to prevent contact with the heating element.

-Do not cover the air inlet and outlet vents while the appliance is in operation.

-Do not fill the fryer or baking tray with oil as this may cause a fire hazard.

-Do not touch the inside of the appliance while it is operating.

-When the appliance is operating, the temperature of the accessible surface may be high.

Warnings

-Check that the voltage shown on the appliance matches the local mains voltage.

-Do not use the appliance if there are any damaged plugs, power cords or other components.

-Do not go to any unauthorized person to replace or repair a damaged main power cord.

-Keep the main power cord away from hot surfaces.

-Do not insert the appliance or operate the control panel with wet hands.

-Do not lean the appliance against a wall or other appliance. Leave at least 10 cm of space on the back and sides, and at least 10 cm above the appliance. Do not place anything on top of the appliance.

-Do not use the appliance for any purpose other than that described in this manual.

-Do not leave the appliance running unattended.

-The hot air is released through the outlet in the fryer. Keep your hands and face at a safe distance from the outlet to avoid burns from the hot air and steam released by the outlet. Also be careful of hot air and steam when you remove the fryer, glass lid assembly, and baking pan from the appliance.

-Any accessible surface may become hot during use.

-If you find black smoke coming out, please unplug the power plug immediately. Wait for smoke emissions to stop before removing the fryer basket, glass lid assembly, and baking pan from the appliance. Always use insulated gloves when holding grill, baking pan or glass lid assembly.

Attention

-Ensure that the appliance is placed on a level, even, and stable surface.

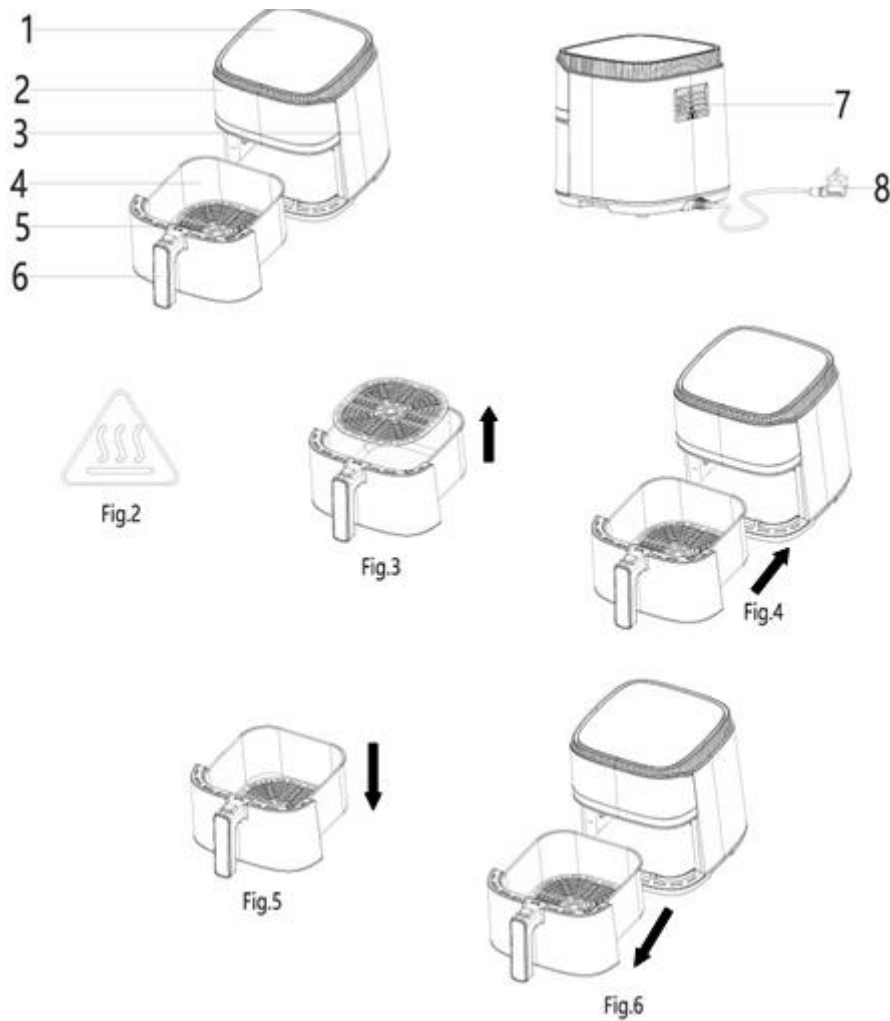
-This appliance is intended for domestic use only. It may not be safe for use in staff kitchens, farms, motels, and other non-residential Settings. It is also not intended for use by customers in hotels, motels, and other residential Settings.

-If the appliance is used improperly or for a professional or semi-professional purpose, or is used improperly or not for a professional or semi-professional purpose, or is not used in accordance with the instructions for use, the warranty is void and we may refuse liability for any damage.

-Unplug electrical appliances when not in use.

-Products must be allowed to cool for approximately 30 minutes before handling or cleaning.

4. PRODUCT DESCRIPTION



1. Lid
2. Control panel
3. Housing
4. Pot
5. Grill for positioning food
6. Basket handle
7. Air outlet
8. Power cord

5. USING THE PRODUCT

Before First Use:

1. Remove all packaging materials.
2. Remove any stickers or labels on the appliance.
3. Thoroughly clean the fryer, grill, baking pan, and glass lid assembly with hot water, washing solution, and a non-abrasive sponge.

4. Wipe the inside and outside of the appliance with a wet cloth.
5. Do not fill the fryer or baking pan with oil or fried fat.

Hot air frying:

1. Connect the mains plug into an earthed wall socket.
2. Carefully pull the pan out of the Hot-air fryer (Fig.6)
3. Put the ingredients in the basket. (Fig.5)
4. Slide the pan back into the Hot-air fryer (Fig 4)

Noting to carefully align with the guides in the body of the fryer.

Never use the pan without the basket in it.

Caution: Do not touch the pan during and some time after use, as it gets very hot. Only hold the pan by the handle.

5. Determine the required preparation time for the ingredient
6. Some ingredients require shaking halfway through the preparation time. To shake the ingredients, pull the pan out of the appliance by the handle and shake it. Then slide the pan back into the fryer.
7. When you hear the buzzer alarm, the set preparation time has elapsed. Pull the pan out of the appliance and place it on the trial framework.
8. Check if the ingredients are ready.

If the ingredients are not ready yet, simply slide the pan back into the appliance and set the timer to a few extra minutes.

9. To remove ingredients (e.g. fries), pull the pan out of the Hot-air fryer and place it on trial framework, and press the basket release button and lift the basket out of the pan.

Do not turn the basket upside down with the pan still attached to it, as any excess oil that has collected on the bottom of the pan will leak onto the ingredients.

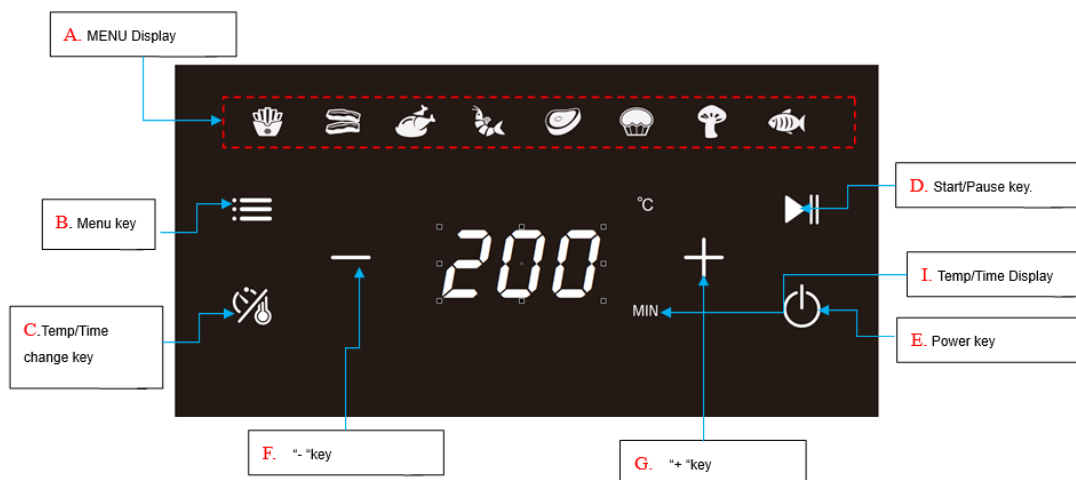
The pan and the ingredients are hot and hot fryer. Depending on the type of the ingredients in the fryer, steam may escape from the pan.

10. Empty the basket into a bowl or onto a plate.

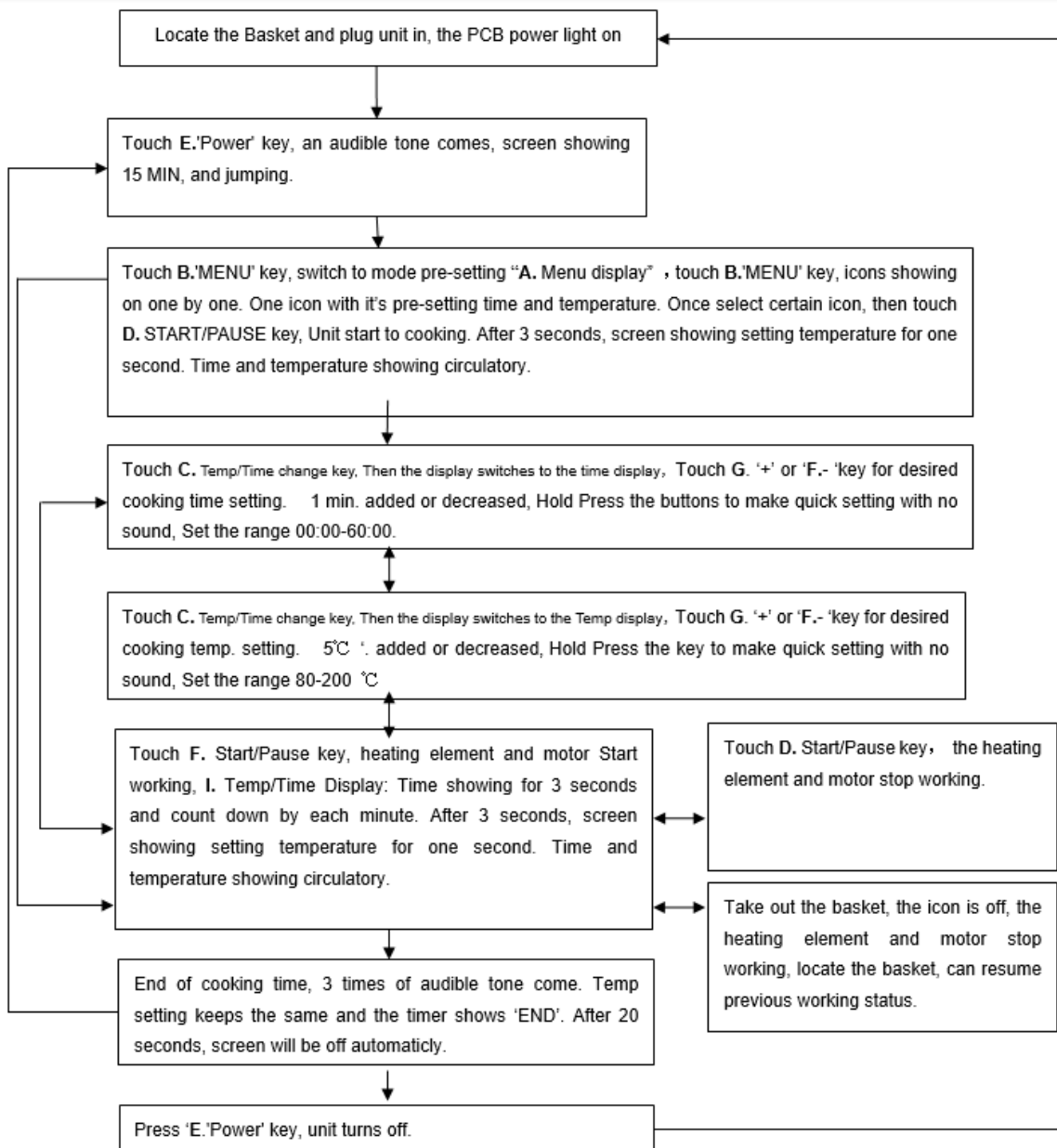
Tip: To remove large or fragile ingredients, lift the ingredients out of the basket by a pair of tongs.

11. When a batch of ingredients is ready, the Hot-air fryer is instantly ready for preparing another batch.

Control panel



OPERATION INSTRUCTION



Tips

- Smaller ingredients usually require a slightly shorter preparation time than larger ingredients.
- A larger amount of ingredients only requires a slightly longer preparation time, a smaller amount of ingredients only requires a slightly shorter preparation time.
- Shaking smaller ingredients halfway through the preparation time optimizes the result and can help prevent unevenly fried ingredients.
- Add some oil to fresh potatoes for a crispy result. Fry your ingredients in the Hot-air fryer within a few minutes after you add the oil.
- Do not prepare extremely greasy ingredients such as sausages in the Hot-air fryer.
- Snacks that can be prepared in an oven can also be prepared in the Hot air fryer.
- The optimal amount for preparing crispy fries is 500 grams.
- Use pre-made dough to prepare filled snacks quickly and easily. Pre-made dough also requires a shorter preparation time than home-made dough.
- Place a baking tin or oven dish in the Hot-air fryer basket if you want to bake a cake or quiche or if you want to fry fragile ingredients or filled ingredients.

- You can also use the Hot-air fryer to reheat ingredients. To reheat ingredients, set the temperature to 150 °C for up to 10 minutes.

	Min-max Amount(g)	Time (min.)	Temperature (°C)	Shake	Extra information
Potato & fries					
Thin frozen fries	400-500	18-25	200	Yes	
Thick frozen fries	400-500	20-25	200	Yes	
Potato gratin	500	20-25	200	Yes	
Meat & Poultry					
Steak	100-500	12-18	180	No	
Pork chops	100-500	12-18	180	No	
Hamburger	100-500	10-20	180	No	
Sausage roll	100-500	13-15	200	No	
Drumsticks	100-500	25-30	180	No	
Chicken breast	100-500	18-25	180	No	
Snacks					
Spring rolls	100-500	8-10	200	Yes	
Frozen chicken nuggets	100-500	8-12	180	Yes	
Frozen fish fingers	100-500	6-10	200	No	
Frozen bread crumbed. cheese snacks	100-500	8-10	180	No	
Stuffed vegetables	100-500	12-20	160	No	
Baking					
Cake	500	8-15	180	No	
Quiche	500	20-22	180	No	
Muffins	500	15-18	200	No	
Sweet snacks	500	20	160	No	

6. CLEANING

Clean the appliance after every use.

The basket and grill have non-stick coating. Do not use metal kitchen utensils or abrasive cleaning materials to clean them, as this may damage the non-stick coating.

1. Remove the mains plug from the wall socket and let the appliance cool down.

Note: Remove the basket to let the air fryer cool down more quickly.

2. Wipe the outside of the appliance with a moist cloth.

3. Clean the basket and grill with hot water, some washing-up liquid and a non-abrasive sponge.

You can use a degreasing liquid to remove any remaining dirt.

Note: The basket and grill are dishwasher-proof.

Tip: If dirt is stuck to the basket and grill, fill the basket with hot water with some washing-up liquid. Put the grill in the basket and let the basket and the grill soak for approximately 10 minutes.

1. Clean the inside of the appliance with hot water and a non-abrasive sponge.

2. Clean the heating element with a cleaning brush to remove any food residues.

Storage

1. Unplug the appliance and let it cool down.
2. Make sure all parts are clean and dry.

Ordering accessories

If you have any difficulties obtaining accessories for your appliance, please contact the Consumer Care Centre in your country. You find its contact details in the worldwide guaranteed leaflet.

Environment

Do not throw away the appliance with the normal household waste at the end of its life, but hand it in at an official collection point for recycling. By doing this, you help to preserve the environment.

7. TROUBLESHOOTING

Problem	Possible cause	Solution
The Hot-air fryer does not work	The appliance is not plugged in.	Put the mains plug in an earthed wall socket.
	You have not set the timer.	Turn the timer knob to the required preparation time to switch on the appliance.
The ingredients fried with the air fryer are not done.	The amount of ingredients in the basket is too big.	Put smaller batches of ingredients in the basket. Smaller batches are fried more evenly.
	The set temperature is too low.	Turn the temperature control knob to the required temperature setting (see section 'settings' in chapter 'Using the appliance').
	The preparation time is too short.	Turn the timer knob to the required preparation time (see section 'Settings' in chapter 'Using the appliance').
The ingredients are fried unevenly in the air fryer.	Certain types of ingredients need to be shaken halfway through the preparation time.	Ingredients that lie on top of or across each other (e.g. fries) need to be shaken halfway through the preparation time. See section 'Settings' in chapter 'Using the appliance'.
Fried snacks are not crispy when they come out of the air fryer.	You used a type of snacks meant to be prepared in a traditional deep fryer.	Use oven snacks or lightly brush some oil onto the snacks for a crispier result.
I cannot slide the pan into the appliance properly.	There are too many ingredients in the basket.	Do not fill the basket beyond the MAX indication.
	The basket is not placed in the pan correctly.	Push the basket down into the pan until you hear a click.
White smoke comes out of the appliance.	You are preparing greasy ingredients.	When you fry greasy ingredients in the air fryer, a large amount of oil will leak into the pan. The oil produces white smoke and the pan may heat up more than usual. This does not affect the appliance or the end result.
	The pan still contains grease residues from previous use.	White smoke is caused by grease heating up in the pan. Make sure you clean the pan properly after each use.
Fresh fries are fried unevenly in the air fryer.	You did not use the right potato type.	Use fresh potatoes and make sure they stay firm during frying.

	You did not rinse the potato sticks properly before you fried them.	Rinse the potato sticks properly to remove starch from the outside of the sticks.
Fresh fries are not crispy when they come out of the air fryer.	The crispiness of the fries depends on the amount of oil and water in the fries.	Make sure you dry the potato sticks properly before you add the oil.
		Cut the potato sticks smaller for a crispier result.
		Add slightly more oil for a crispier result.

CUSTOMER CARE AND SERVICE

Always use original spare parts.

When contacting our Authorised Service Centre, ensure that you have the following data available: Model and Serial Number.

The information can be found on the rating plate. Subject to change without notice.

TECHNICAL DATA

Voltage	220-240V~50/60Hz
Power	1500 W
Capacity	4L
Temperature	80-200C

Thank you for purchasing this product. If you need support with your product, visit our website using the links below.

Get User manuals: <https://www.heinner.ro>

Get Service information: <https://www.heinner.ro>



Environment friendly disposal

You can help protect the environment!

Please remember to respect the local regulations: hand in the non-working electrical equipment's to an appropriate waste disposal center.



HEINNER is a registered trademark of **Network One Distribution SRL**. Other brands and product names are trademarks or registered trademarks of their respective holders.

No part of the specifications may be reproduced in any form or by any means or used to make any derivative such as translation, transformation, or adaptation without permission from NETWORK ONE DISTRIBUTION.

Copyright © 2013 Network One Distribution. All rights reserved.

www.heinner.com, <http://www.nod.ro>



This product is in conformity with norms and standards of European Community.



Importer: **Network One Distribution**

Marcel Iancu Street, 3-5, Bucharest, Romania

Tel: +40 21 211 18 56, www.heinner.com , www.nod.ro

FRITEUZĂ CU AER CALD

Model: BlackMatte

HAF-B4BK1500



- Capacitate: 4L
- Putere: 1500 W
- Temperatură 80-200°C

HEINNER

1. INTRODUCERE

Vă rugăm să citiți instrucțiunile cu atenție și să păstrați manualul pentru consultări ulterioare.

Acest manual are scopul de a vă oferi toate instrucțiunile necesare cu privire la instalarea, utilizarea și întreținerea aparatului. Pentru utilizarea corectă și în siguranță a aparatului, vă rugăm să citiți cu atenție acest manual de instrucțiuni înainte de instalare și utilizare.

2. CONȚINUTUL PACHETULUI DUMNEAVOASTRĂ

- ➔ **Friteuză cu aer cald**
- ➔ **Manual de utilizare**
- ➔ **Certificat de garanție**
- ➔ **Declarație de conformitate**

3. INSTRUCȚIUNI PRIVIND SIGURANȚA

GENERALITĂȚI

Atunci când utilizați aparate electrice, respectați măsurile de precauție de bază, inclusiv următoarele instrucțiuni:

1. Citiți toate instrucțiunile.
2. Nu atingeți suprafețele fierbinți.
3. Pentru a vă proteja împotriva electrocutării, nu introduceți cablul, ștecărul sau baza aparatului în apă sau alte lichide.
4. **AVERTISMENT:** Acest aparat electric este prevăzut cu o funcție de încălzire. Chiar și suprafețele care nu fac parte din sistemul de încălzire al aparatului pot atinge temperaturi ridicate. Dat fiind faptul că temperaturile sunt percepute diferit de către persoane diferite, acest aparat trebuie utilizat cu **ATENȚIE**. Aparatul trebuie manevrat numai prin atingerea mânerelor și suprafețelor de prindere. Purtați mănuși de protecție. Suprafețele care nu constituie suprafețe de prindere trebuie lăsate să se răcească suficient înainte de a fi atinse.
5. Deconectați aparatul de la sursa de alimentare atunci când acesta nu este în uz și înainte de curățare. Lăsați aparatul să se răcească înainte de a monta sau demonta piese sau accesorii ale acestuia.
6. Pentru evitarea pericolelor, în cazul în care cablul de alimentare este deteriorat, acesta trebuie înlocuit de către producător, de către agentul său de service sau de persoane cu o calificare similară.
7. Utilizarea accesoriilor nerecomandate de către producătorul aparatului poate provoca vătămări.
8. Nu utilizați aparatul în aer liber.
9. Nu lăsați cablul electric să atârne pe marginea mesei, nici să intre în contact cu suprafețe fierbinți.
10. Nu puneți aparatul pe sau lângă un arzător cu gaz sau electric; nu puneți aparatul într-un cuptor încălzit.
11. Este necesar să acționați cu prudență deosebită atunci când transportați un aparat care conține ulei încins sau alte lichide fierbinți.
12. Introduceți mai întâi conectorul cablului în aparat, apoi conectați ștecărul la sursa de alimentare. Pentru deconectarea de la sursa de alimentare, rotiți butoanele de comandă la poziția „Oprit” și scoateți ștecărul din priză.

13. Nu utilizați aparatul în alt scop decât cel pentru care a fost proiectat.
14. Aparatul poate fi utilizat de către copii cu vârste începând de la 8 ani și de către persoane cu capacități fizice, senzoriale sau mentale reduse, cu lipsă de experiență sau cunoștințe, numai dacă acestea sunt supravegheate sau instruite în ceea ce privește utilizarea în siguranță a aparatului și dacă înțeleg pericolele pe care le implică utilizarea. Copiii nu au voie să se joace cu aparatul. Curățarea și întreținerea nu pot fi efectuate de către copii, cu excepția cazului în care aceștia sunt în vârstă de cel puțin 8 ani și sunt supravegheați.
15. Nu lăsați aparatul și cablul de alimentare la îndemâna copiilor cu vârste mai mici de 8 ani.
16. Aparatele nu sunt destinate utilizării prin intermediul unui temporizator extern sau printr-un sistem de comandă de la distanță.

Important

Acest aparat poate fi utilizat de către copii cu vârste începând de la 8 ani și de către persoane cu capacități fizice, senzoriale sau mentale reduse, cu lipsă de experiență sau cunoștințe, numai dacă acestea sunt supravegheate sau instruite în ceea ce privește utilizarea în siguranță a produsului și dacă înțeleg pericolele pe care le implică utilizarea.

Nu permiteți copiilor să se joace cu acest aparat. Copiilor nu le este permisă curățarea, utilizarea și întreținerea acestui aparat decât în cazul în care au peste 8 ani și sunt supravegheați de către un adult.

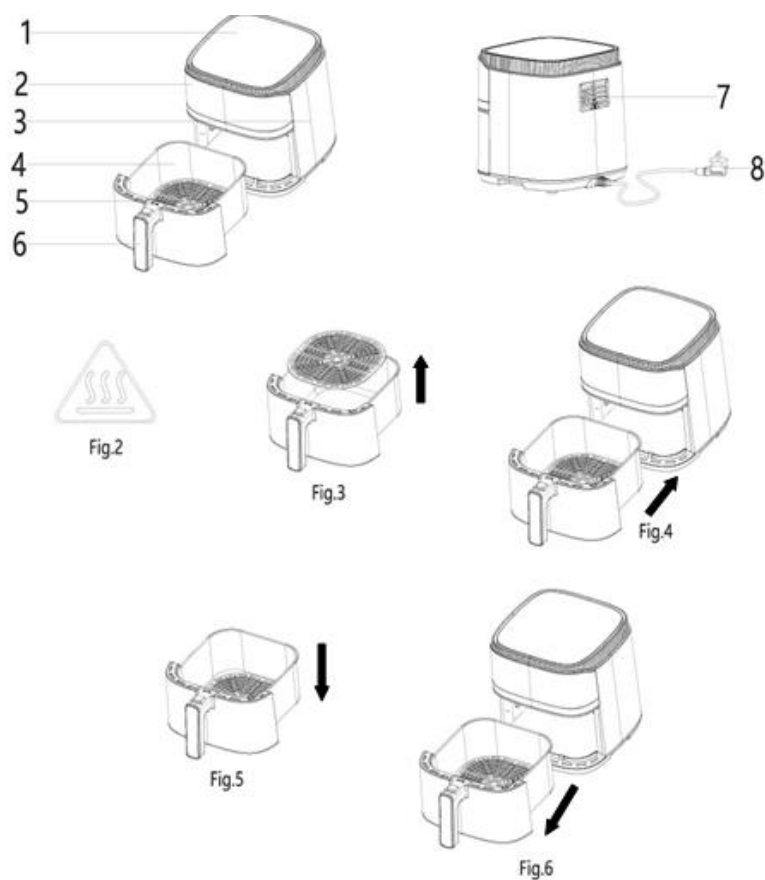
- Nu lăsați aparatul la îndemâna copiilor cu vârsta sub 8 ani.
- Nu introduceți în apă și nu clătiți sub jet de apă carcasa aparatului și elementele de încălzire, deoarece acestea conțin componente electrice.
- Pentru prevenirea electrocutării, nu permiteți pătrunderea apei sau a altor lichide în aparat.
- Ingredientele care urmează să fie gătite trebuie să fie așezate într-un vas de prăjire sau de coacere, pentru a preveni contactul cu elementul de încălzire.
- Nu acoperiți orificiile de admisie și de evacuare a aerului în timpul funcționării aparatului.
- Nu umpleți vasul de preparare cu ulei, deoarece acest lucru poate provoca pericol de incendiu.
- Nu atingeți interiorul aparatului în timp ce acesta este în funcțiune.
- Temperaturile suprafețelor accesibile pot fi foarte ridicate în timpul funcționării aparatului.

Avertismente

- Asigurați-vă că tensiunea specificată pe aparat corespunde celei furnizate de rețeaua de alimentare cu energie electrică.
- Nu utilizați aparatul în cazul în care observați deteriorări ale cablului de alimentare, ale ștecărilor sau ale altor componente.
- Nu apelați la persoane neautorizate în vederea înlocuirii sau reparării cablurilor de alimentare deteriorate.
- Feriți cablul de alimentare de suprafețele fierbinți.
- Nu conectați ștecărul la sursa de alimentare și nu acționați butoanele panoului de comandă cu mâinile ude.
- Nu așezați aparatul foarte aproape de perete sau de alte aparate. Lăsați un spațiu de cel puțin 10 cm în spatele, în lateralele și deasupra aparatului. Nu puneți nimic deasupra aparatului.
- Nu utilizați acest aparat în alt scop decât cel descris în cadrul prezentului manual.
- Nu lăsați aparatul să funcționeze nesupravegheat.
- Aerul fierbinte iese prin orificiul de evacuare a aerului. Țineți mâinile și fața la distanță de orificiul de evacuare, pentru a evita arsurile provocate de aerul fierbinte și de aburul care iese din orificiul de evacuare. De asemenea, aveți grijă la aerul fierbinte și la abur atunci când scoateți vasul de prăjire, capacul de sticlă și vasul de coacere din aparat.
- Suprafețele accesibile se pot încinge în timpul utilizării aparatului.
- Dacă observați că iese fum negru, vă rugăm să deconectați imediat ștecărul de la sursa de alimentare cu energie electrică. Așteptați până când nu mai iese fum înainte de a scoate din aparat coșul friteuzei, capacul de sticlă și vasul de coacere. Utilizați întotdeauna mănuși de protecție atunci când țineți grătarul, vasul de coacere sau capacul de sticlă.

Atenție!

- Asigurați-vă ca aparatul este așezat pe o suprafață orizontală, uniformă și stabilă.
- Acest aparat este destinat numai uzului casnic. Este posibil ca acesta să nu fie potrivit pentru utilizare în condiții de siguranță în medii cum ar fi bucătăriile, fermele, motelurile și alte spații nerezidențiale. De asemenea, aparatul nu este destinat utilizării de către clienții din hoteluri, moteluri, pensiuni sau alte spații similare.
- Dacă aparatul este utilizat în mod necorespunzător sau în scopuri profesionale sau semi-profesionale, precum și în cazul în care nu este utilizat în conformitate cu instrucțiunile din cadrul manualului de utilizare, garanția se anulează, iar noi putem declina orice răspundere pentru daunele cauzate.
- Deconectați aparatul de la sursa de alimentare atunci când nu îl utilizați.
- Produsele trebuie lăsate să se răcească timp de aproximativ 30 de minute înainte de a fi manevrate sau curățate.

4. DESCRIEREA PRODUSULUI

1. Carcasa
2. Panou de comandă
3. Carcasă
4. Vas de preparare
5. Grătar pentru poziționarea alimentelor
6. Mânerul coșului
7. Orificii de evacuare a aerului
8. Cablul de alimentare

5. UTILIZAREA PRODUSULUI

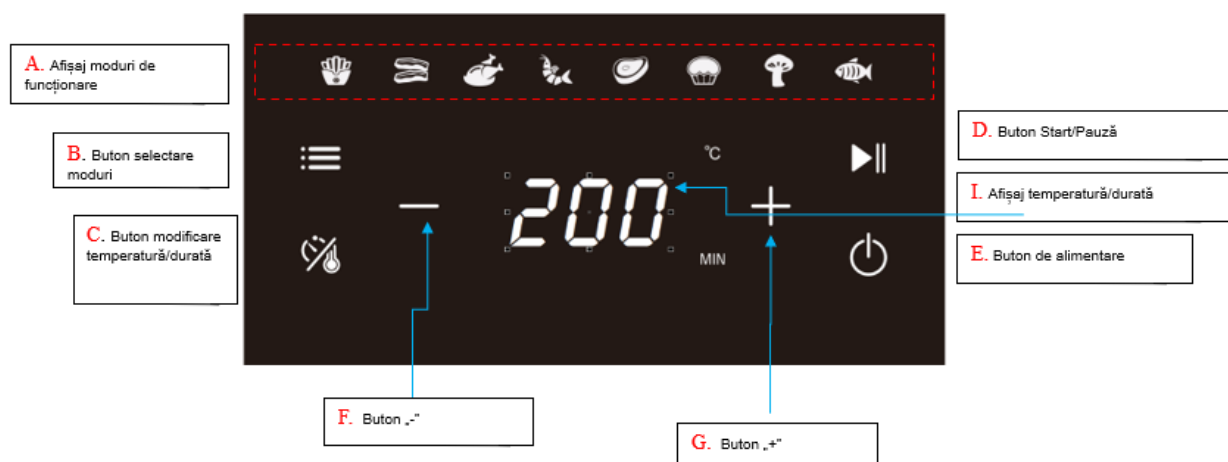
Înainte de prima utilizare:

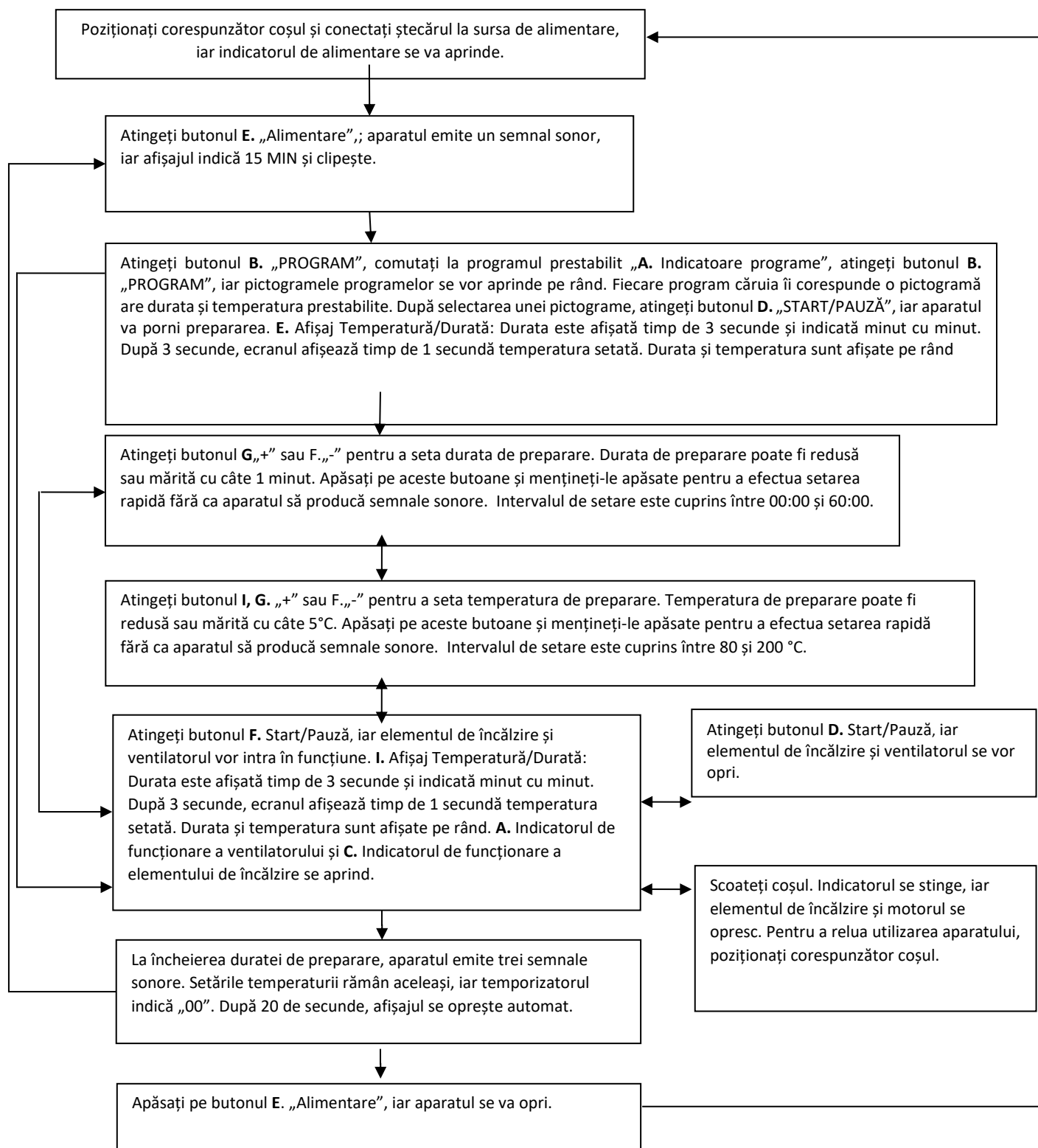
1. Îndepărtați toate elementele de ambalaj.
2. Scoateți toate autocolantele sau etichetele de pe aparat.
3. Curățați bine vasul de prăjire, grătarul, vasul de coacere și capacul de sticlă cu apă caldă, detergent și un burete neabraziv.
4. Ștergeți interiorul și exteriorul aparatului cu o cârpă umedă.
5. Nu umpleți vasul de prăjire sau vasul de coacere cu ulei sau cu grăsime.

Funcția de friteuza cu aer cald:

1. Conectați ștecărul la o priză de perete prevăzută cu împământare.
2. Scoateți cu grijă vasul de preparare din friteuză (Fig. 6).
3. Puneți ingredientele în coș (Fig. 5).
4. Reintroduceți vasul de preparare în friteuză (Fig. 4).
Nu utilizați niciodată vasul de preparare fără coș.
5. Stabiliți timpul necesar pentru prepararea ingredientului ales (consultați informațiile din secțiunea „Setări” din cadrul prezentului capitol).
6. Unele ingrediente necesită agitare la jumătatea timpului de preparare (consultați informațiile din secțiunea „Setări” din cadrul prezentului capitol). Pentru a agita ingredientele, scoateți vasul de preparare din aparat ținându-l de mâner și agitați-l. Reintroduceți vasul de preparare în friteuză.
7. Semnalul sonor emis indică faptul că durata de preparare stabilită s-a scurs. Scoateți vasul de preparare din aparat și puneți-l pe un suport stabil.
8. Verificați dacă ingredientele sunt preparate.
Dacă ingredientele nu sunt încă preparate, reintroduceți vasul de preparare în aparat și reglați temporizatorul pentru a prepara ingredientele câteva minute în plus.
9. Pentru a scoate ingredientele (de exemplu, cartofii prăjiți), scoateți vasul de preparare din friteuză și așezați-l pe suportul stabil, apoi apăsați pe butonul pentru deblocarea coșului și scoateți coșul din vasul de preparare.
10. Goliți coșul într-un castron sau pe o farfurie.
Sfat: Pentru a scoate ingredientele mari sau fragile, luați-le din coș cu ajutorul unui clește de bucătărie.
11. Atunci când o serie de ingrediente este gata, friteuza cu aer cald este gata imediat pentru prepararea unei alte serii.

Panoul de control





Recomandări

- De obicei, ingredientele de dimensiuni reduse necesită un timp de preparare puțin mai scurt decât ingredientele mai mari.
- O cantitate mai mare de ingrediente necesită un timp de preparare puțin mai lung, iar o cantitate mai mică de ingrediente necesită un timp de preparare puțin mai scurt.
- Agitarea ingredientelor de dimensiuni reduse la jumătatea timpului de preparare optimizează rezultatul final și poate ajuta la prevenirea preparării neuniforme a ingredientelor.
- În cazul preparării cartofilor proaspeți, puneți puțin ulei în vasul de preparare, iar cartofii vor fi mai crocanți. Puneți ingredientele în friteuza cu aer cald la câteva minute după ce ați pus uleiul.
- Nu preparați ingrediente cu un conținut ridicat de grăsime (cum ar fi, de exemplu, carnații) în friteuza cu aer cald.
- Gustările care pot fi preparate la cuptor pot fi preparate și în friteuza cu aer cald.
- Cantitatea optimă pentru prepararea cartofilor prăjiți crocanți este de 500 de grame.
- Utilizați aluat gata făcut pentru a găti rapid și ușor gustări umplute. Acest aluat necesită un timp de preparare mai scurt decât aluatul făcut în casă.
- Așezați o formă de copt sau un vas pentru cuptor în coșul friteuzei cu aer cald, dacă doriți să coaceți un tort sau o tarta, sau dacă doriți să preparați ingrediente fragile sau gustări umplute.
- De asemenea, puteți utiliza friteuza pentru a reîncălzi ingredientele. Pentru a reîncălzi ingredientele, setați temperatura la 150 °C și puneți aparatul în funcțiune timp de cel mult 10 minute.

	Cantitate minimă - maximă (g)	Durată(min.)	Temperatură(°C)	Agitare	Informații suplimentare
Cartofi și cartofi pai					
Cartofi tăiați subțire congelați	400-500	18-25	200	Da	
Cartofi tăiați gros congelați	400-500	20-25	200	Da	
Cartofi gratinați	500	20-25	200	Da	
Carne					
Cotlet	100-500	12-18	180	Nu	
Cotlete de porc	100-500	12-18	180	Nu	
Hamburger	100-500	10-20	180	Nu	
Pateuri cu carne	100-500	13-15	200	Nu	
Ciocănele de pui	100-500	25-30	180	Nu	
Piept de pui	100-500	18-25	180	Nu	
Gustări					
Rulouri de primăvara	100-500	8-10	200	Da	
Nuggets de pui congelate	100-500	8-12	180	Da	
Crochete de pește congelate	100-500	6-10	200	Nu	
Crochete de cașcaval congelate	100-500	8-10	180	Nu	
Legume umplute	100-500	12-20	160	Nu	
Coacere					
Prăjituri	500	8-15	180	Nu	
Tartă	500	20-22	180	Nu	
Brioșe	500	15-18	200	Nu	
Gustări dulci	500	20	160	Nu	

6. CURĂȚARE

Curățați aparatul după fiecare utilizare.

Vasul de preparare și grătarul pentru poziționarea alimentelor sunt prevăzute cu un înveliș neaderent. Nu folosiți ustensile de bucătărie din metal sau substanțe abrazive pentru a le curăța, deoarece acestea pot deteriora învelișul neaderent.

1. Deconectați ștecărul de la sursa de alimentare și lăsați aparatul să se răcească.

Observație: Pentru ca friteuza cu aer cald să se răcească mai repede, scoateți coșul din aceasta.

2. Ștergeți exteriorul aparatului cu o cârpă umedă.

3. Curățați cu apă fierbinte coșul și grătarul de poziționare a alimentelor, utilizând puțin detergent de vase și un burete neabraziv.

Pentru a elimina murdăria rămasă, puteți utiliza lichid degresant.

Observație: Coșul și grătarul de poziționare a alimentelor sunt potrivite pentru spălare în mașina de spălat vase.

Sfat: Dacă murdăria se lipește de coș sau de grătarul de poziționare a alimentelor, puneți în coș apă fierbinte și puțin detergent de vase. Puneți grătarul de poziționare a alimentelor în coș și lăsați grătarul și coșul la înmuiat timp de aproximativ 10 minute.

1. Curățați interiorul aparatului cu apă fierbinte și cu un burete neabraziv.

2. Curățați elementul de încălzire cu o perie, pentru a îndepărta resturile de alimente.

Depozitare

1. Deconectați ștecărul de la sursa de alimentare și lăsați aparatul să se răcească.

2. Asigurați-vă că toate componentele sunt curate și uscate.

3. Împingeți cablul în compartimentul de depozitare a cablului. Fixați cablul prin introducerea acestuia în fanta de fixare.

Comandarea accesoriilor

Dacă întâmpinați dificultăți în obținerea de accesorii pentru aparatul dumneavoastră, vă rugăm să contactați Centrul de asistență pentru clienți din țara dumneavoastră. Datele de contact ale acestuia sunt disponibile în certificatul de garanție.

Protejarea mediului înconjurător

Atunci când aparatul ajunge la finalul duratei de exploatare, nu îl aruncați împreună cu deșeurile menajere, ci adresați-vă unui punct de colectare a deșeurilor în vederea reciclării. Procedând astfel, ajutați la protejarea mediului înconjurător.

7. REMEDIEREA PROBLEMELOR

Problemă	Cauză posibilă	Soluție
Friteuza cu aer cald nu funcționează	Aparatul nu este conectat la sursa de alimentare.	Conectați ștecărul la o priză de perete prevăzută cu împământare.
	Este necesară reglarea temporizatorului.	Rotiți butonul de reglare a temporizatorului la timpul de preparare dorit, pentru a porni aparatul.
Ingredientele nu sunt preparate suficient	Cantitatea de ingrediente din coș este prea mare.	Puneți în coș cantități mai mici de ingrediente. Cantitățile mai mici sunt preparate mai uniform.
	Temperatura setată este prea scăzută.	Rotiți butonul pentru reglarea temperaturii la temperatura dorită la temperatura dorită (consultați informațiile din secțiunile „Setări” și „Utilizarea aparatului”).
	Durata de preparare este prea scurtă.	Rotiți butonul de reglare a temporizatorului la timpul necesar (consultați informațiile din secțiunile „Setări” și „Utilizarea aparatului”).
Ingredientele sunt preparate neuniform.	Anumite tipuri de ingrediente trebuie să fie agitate la jumătatea timpului de preparare.	Ingredientele care se află în partea superioară sau unele peste celelalte (de exemplu, cartofii pai) trebuie să fie agitate la jumătatea timpului de preparare. Consultați informațiile din secțiunile „Setări” și „Utilizarea aparatului”.
Gustările nu sunt crocante atunci când sunt scoase din friteuză.	Ați utilizat ingrediente destinate preparării într-o friteuză tradițională.	Utilizați gustări destinate preparării la cuptor sau aplicați puțin ulei pe gustări, pentru ca acestea să fie mai crocante în urma preparării.
Vasul de preparare nu poate fi introdus corespunzător în aparat.	Sunt prea multe ingrediente în coș.	Nu umpleți coșul peste semnul MAX.
	Coșul nu este așezat corect în vasul de preparare.	Apăsați pe coș în vasul de preparare până la fixarea acestuia în poziție.
Aparatul emite fum alb.	Preparați ingrediente cu un conținut ridicat de grăsime.	Atunci când preparați ingrediente cu un conținut ridicat de grăsime, o cantitate mare de ulei se va scurge în vasul de preparare. Uleiul produce fum alb, iar vasul de preparare se poate încălzi mai mult decât de obicei. Acest lucru nu afectează funcționarea aparatului sau rezultatul final.
	Vasul de preparare conține grăsime rămasă în urma utilizării anterioare.	Fumul alb este cauzat de grăsimea care se încălzește în vasul de preparare. Curățați bine vasul de preparare după fiecare utilizare.
Cartofii proaspeți sunt preparați neuniform.	Nu ați folosit tipul de cartofi potrivit.	Utilizați cartofi proaspeți și asigurați-vă că aceștia nu se înmoaie.
	Nu ați clătit corespunzător cartofii pai înainte de a-i prepara.	Clătiți corespunzător cartofii pai pentru a îndepărta amidonul de pe aceștia.
Cartofii nu sunt crocanți atunci când sunt scoși din friteuză.	Textura crocantă a cartofilor depinde de cantitatea de ulei din vasul de preparare și de cantitatea de apă din cartofi.	Asigurați-vă că îndepărtați apa de pe cartofi înainte de a adăuga uleiul.
		Tăiați cartofii în bucăți mai mici, pentru ca aceștia să fie mai crocanți în urma preparării.
		Adăugați puțin mai mult ulei pentru a prepara cartofi mai crocanți.

SERVICE ȘI ASISTENȚĂ PENTRU CLIEȚI

Utilizați numai piese de schimb originale.

Când contactați centrul nostru de service autorizat, asigurați-vă că aveți la îndemână următoarele informații:
Denumirea modelului și numărul de serie.

Informațiile pot fi găsite pe plăcuța cu date tehnice. Acestea pot suferi modificări fără o notificare prealabilă.

DATE TEHNICE

Tensiune de alimentare	220-240V~50/60Hz
Putere	1500 W
Capacitate	4L
Temperatura	80-200 °C



MASURI PENTRU PROTECTIA MEDIULUI

Va informam ca persoanele fizice au urmatoarele obligatii prin legislatia specifica privind protectia mediului si regimul deseurilor:

- Deseurile de echipamente electrice si electronice (DEEE), pot contine substante periculoase pentru mediu si sanatatea umana. Conform OUG 5/2015, exista obligativitatea predarii acestora, pentru tratarea corespunzatoare si valorificarea componentelor reciclabile. Societatea Network One Distribution S.R.L. este platitoare de taxa de "timbru verde" pentru fiecare Echipament Electric si Electronic (EEE) pe care il pune pe piata. Acest cost asigura tratarea ulterioara a echipamentelor uzate colectate. Din acest motiv, odata ce devine deșeu, produsul EEE poate fi predat gratuit operatorului Dvs. de salubritate, la magazine atunci cand achizitionati alt echipament similar, sistemul "unul la unu" sau la punctul de colectare organizat de Primaria Sectorului / localitatii Dvs.
- Simbolul (marcajul) aplicat produselor, care indica faptul ca deseurile DEEE, bateriile si acumulatorii - fac obiectul unei colectari separate, il reprezinta o pubela barata cu o cruce.



Aceste masuri vor ajuta la protejarea mediului

Societatea Network One Distribution S.R.L. este inregistrata in Registrul de punere pe piata a echipamentelor electrice si electronice, avand numarul de inregistrare: RO-2016-03-EEE-0201-IV. De asemenea, au fost intocmite si sunt gestionate: Registrul de Retragere EEE si Registrul de Rechemare EEE, in conformitate cu HG 322/2013. Totodata societatea este inregistrata in Registrul de punere pe piata a bateriilor, avand numarul de inregistrare: RO-2011-03-B&A-0283.

Conformitatea cu directiva RoHS: Produsul pe care l-ați cumpărat este conform cu Directiva RoHS UE (2011/65/UE). Nu conține materialele dăunătoare și interzise specificate în Directivă.

Va multumim ca participati alaturi de noi la protejarea mediului si a sanatatii umane!

Vă mulțumim pentru achiziționarea acestui produs! Dacă aveți nevoie de asistență în ceea ce privește produsul dumneavoastră, vizitați site-ul nostru web utilizând linkurile de mai jos.

Obțineți manuale de utilizare: <https://www.heinner.ro>

Obțineți informații privind reparațiile: <https://www.heinner.ro>



HEINNER este marcă înregistrată a companiei **Network One Distribution SRL**. Celelalte branduri și denumirile produselor sunt mărci de comerț sau mărci de comerț înregistrate ale respectivilor deținători.

Nicio parte a specificațiilor nu poate fi reprodusă sub nicio formă și prin niciun mijloc, nici utilizată pentru obținerea unor derivate precum traduceri, transformări sau adaptări, fără consimțământul prealabil al companiei NETWORK ONE DISTRIBUTION.

Copyright © 2013 Network One Distribution. Toate drepturile rezervate.

www.heinner.com, <http://www.nod.ro>



Acest produs este proiectat și realizat în conformitate cu standardele și normele Comunității Europene.



Importator: **Network One Distribution**

Str. Marcel Iancu, nr. 3-5, București, România

Tel: +40 21 211 18 56, www.heinner.com , www.nod.ro

FORRÓLEVEGŐS SÜTŐ

Model: BlackMatte

HAF-B4BK1500



- Kapacitás: 4 L
- Teljesítmény: 1500 W
- Hőmérséklet 80-200°C

HEINNER

1. BEVEZETŐ

Kérjük, figyelmesen olvassa el az utasításokat, és őrizze meg a kézikönyvet későbbi tanulmányozás céljából.

A kézikönyv célja a készülék beszerelésével, használatával és karbantartásával kapcsolatos minden szükséges tudnivalót rendelkezésére bocsátani. A készülék helyes és biztonságos használata érdekében, kérjük, hogy beszerelés és használat előtt olvassa el figyelmesen a használati kézikönyvet.

2. AZ ÖN CSOMAGJÁNAK TARTALMA

- ➔ **Forrólevegős sütő**
- ➔ **Használati kézikönyv**
- ➔ **Jótállási bizonylat**
- ➔ **Megfelelőségi nyilatkozat**

3. A BIZTONSÁGRA VONATKOZÓ UTASÍTÁSOK

ÁLTALÁNOSSÁGOK

Fontos óvintézkedések

Villamos berendezések használatakor, kérjük, tartsa be az alapvető biztonsági intézkedéseket, beleértve az alább felsoroltakat:

1. Olvasson el minden utasítást.
2. Ne érintse meg a forró felületeket.
3. Az áramütés elleni védelem érdekében ne helyezze a huzalt, a dugaszt vagy a készüléket vízbe vagy más folyadékba.
4. FIGYELMEZTETÉS: Ez az elektromos készülék melegítő funkcióval van ellátva. Azok az alkatrészek is felmelegedhetnek, amelyek nem tartoznak a készülék melegítő rendszeréhez. Ismerve azt a tényt, hogy különböző személyek másképp érzékelik a hőt, bánjon FIGYELMESEN ezzel a készülékkel. A készüléket csak a fogantyúktól és a markoló felületektől fogva szabad kezelni. Használjon védőkesztyűt. Mielőtt megérintené a készülék egyéb részeit, engedje azokat kellőképpen lehűlni.
5. Húzza ki a készülék dugaszát a használatot követően, illetve a készülék tisztítása előtt. Engedje a készüléket kihűlni, mielőtt alkatrészeket szerelne fel vagy távolítana el.
6. A veszélyek elkerülése érdekében, ha a hálózati kábel megsérült, ki kell cseréltetni a gyártóval, ennek hivatalos márkaszervizével vagy egy hasonló szakképzettséggel rendelkező személlyel.
7. A gyártó által nem javasolt tartozékok használata testi sérülést okozhat.
8. Ne használja a készüléket a szabadban.
9. Ne hagyja a készülék tápkábelét az asztal széléről lelógni és előzze meg, hogy a kábel forró felületekhez érjen.
10. Ne helyezze a készüléket gázégőre vagy elektromos kályhára illetve azok mellé; ne helyezze a készüléket befűtött sütőbe.
11. Cselekedjen nagyon óvatosan a felforrósodott olajat vagy más forró folyadékot tartalmazó készülék áthelyezése során.

12. Először helyezze be a tápkábel csatlakozóját a készülékbe és csak ezt követően csatlakoztassa a dugaszt az elektromos hálózatra. A készülék kikapcsolásához fordítsa a kapcsológombot a „Kikapcsolva” pozícióba, és húzza ki a dugaszt a csatlakozóaljzatból.
13. Ne használja a készüléket egyéb célra, mint amire tervezték.
14. A készüléket 8 év fölötti gyermekek, csökkent fizikai, érzéki vagy szellemi képességekkel, gyakorlattal vagy ismeretekkel rendelkezők csak akkor használhatják, ha felügyelik, vagy felkészítik őket a készülék biztonságos használatára, és ha megértik a készülék használatával járó veszélyeket. Tilos gyermekeknek a készülékkel játszani. A készülék tisztítását és karbantartását nem végezhetik gyermekek, kivéve, ha legalább 8 évesek, és felügyelve vannak.
15. Ne hagyja a készüléket és a tápvezetékét 8 éven aluli gyermekek keze ügyében.
16. A készüléket nem külső időzítő vagy távirányítás segítségével történő használatra tervezték.

A készüléket 8 év fölötti gyermekek és korlátozott fizikai, érzékszervi vagy mentális képességekkel rendelkező, illetve a megfelelő tapasztalattal és jártassággal nem rendelkező személyek csak felügyelet mellett használhatják, vagy ha felkészítették őket a készülék biztonságos használatára, illetve ha tisztában vannak a helytelen használat veszélyeivel.

Ne engedje a gyerekeket a készülékkel játszani. Gyermekek csak 8 éves kor felett, felnőtt felügyelete mellett tisztíthatják, használhatják és karbantarthatják ezt a készüléket.

- Ne hagyja a készüléket 8 év alatti gyermekek számára elérhető közelségben.
- Ne merítse vízbe és ne öblítse vízszög alatt a készülék burkolatát és a fűtőelemeket, mert azok elektromos alkatrészeket tartalmaznak.
- Az áramütés elkerülése érdekében ügyeljen rá, hogy a készülékbe ne juthasson víz vagy egyéb folyadék.
- A főzni kívánt hozzávalókat főzési vagy sütőedénybe kell helyezni, hogy megakadályozzák a fűtőelemmel való érintkezést.
- A készülék működése közben ne takarja le a levegőbemeneti és levegőkimeneti nyílásokat.
- Ne töltsön a sütőedénybe olajat, mert az tűzveszélyt okozhat.
- Ne érintse meg a készülék belsejét működés közben.
- A hozzáférhető felületek magas hőmérsékletet érhetnek el a készülék működése során.

Figyelmeztetések

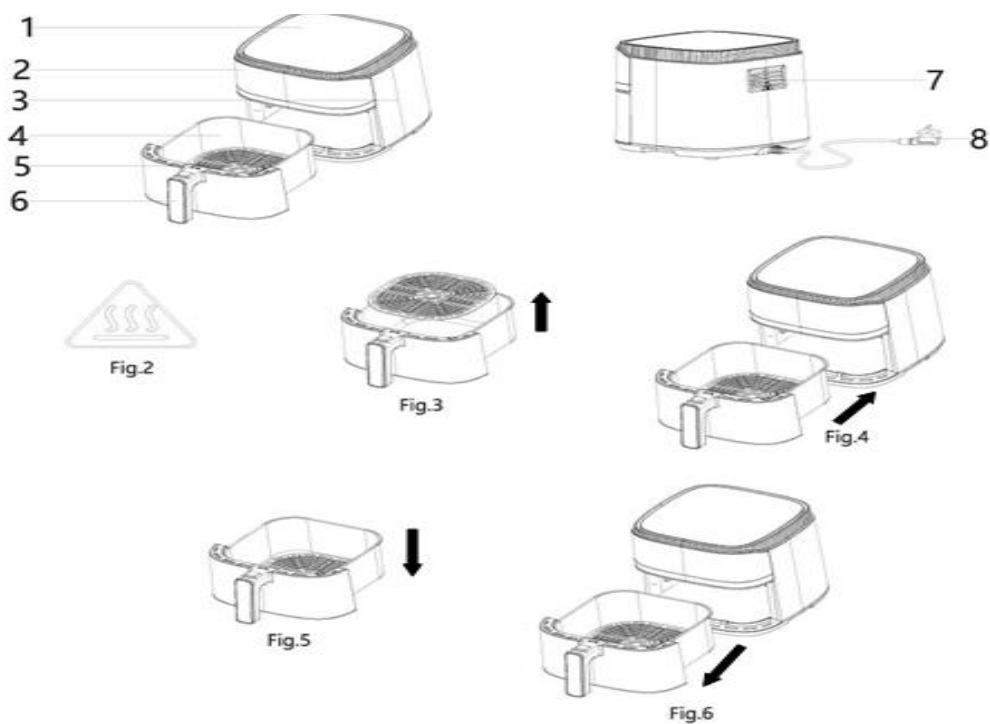
- Győződjön meg róla, hogy a készüléken feltüntetett áramfeszültség megfelel a tápforrás által biztosított értékeknek.
- Ne használja a készüléket, ha a tápkábel, a dugasz vagy egyéb tartozékok sérültek.
- Ne forduljon illetéktelen személyekhez a tápkábel javítása vagy kicserélése érdekében.
- Óvja a tápkábelt a forró felületektől.
- Nedves kézzel ne csatlakoztassa a dugaszt az elektromos hálózatra és ne érjen a vezérlőpanel gombjaihoz.
- Ne helyezze a készüléket túl közel a falhoz vagy más készülékekhez. Hagyjon szabadon legkevesebb 10 cm helyet a készülék mindkét oldalán, hátoldalán és felett.
- Ne használja a készüléket más célra, mint amire jelen kézikönyv alapján javasolt.
- Soha ne hagyja a készüléket felügyelet nélkül működni.
- A forró levegő a levegőkimeneten keresztül távozik. Tartsa távol a kezét és az arcát a légvizetető nyílástól, hogy elkerülje az égési sérüléseket a légvizetető nyíláson kiáramló forró levegő és gőz miatt. Vigyázzon a forró levegővel és gőzzel akkor is, amikor kiveszi a kosarat, az üvegfedelelet és a sütőedényt a készülékből.
- Az elérhető alkatrészek a készülék használata során felforrósodhatnak.
- Ha fekete füstöt észlel, azonnal áramtalanítsa a készüléket. Várjon, amíg nem jön ki több füst, mielőtt kiveszi a készülékből a sütőkosarat, az üvegfedelelet és a sütőedényt. Mindig viseljen védőkesztyűt, amikor a rostélyt, a sütőedényt vagy az üvegfedelelet fogja.

Figyelem!

- Győződjön meg róla, hogy a készülék vízszintes, egyenes és stabil felületre van helyezve.
- Ezt a készüléket csak háztartási használatra tervezték. Megtörténhet, hogy ez a készülék nem használható biztonságos körülmények között olyan környezetekben, mint például konyhák, farmok, motelek vagy más nem lakó épületek. A készülék nem használható szállodák, motelek, panziók vagy hasonló vendéglátó egységek ügyfelei által.

- Ha a készüléket nem megfelelően vagy szakmai, fél szakmai célokra, illetve nem a használati útmutatóban leírtak szerint használja, a garancia elveszíti érvényességét, és a gyártó nem vállal semmilyen felelősséget az esetleges károkért.
- Amikor nem használja, áramtalanítsa a készüléket.
- A termékeket kezelés vagy tisztítás előtt körülbelül 30 percig hagyni kell hűlni

4. A TERMÉK LEÍRÁSA



1. Felső felület
2. Vezérlőpanel
3. Készülékház
4. Főzőedény
5. Rács az élelmiszerek elhelyezéséhez
6. Kosár fogantyú
7. Levegő kimeneti nyílás
8. Tápkábel

5. A TERMÉK HASZNÁLATA

Az első használat előtt:

1. Távolítsa el a csomagolóanyagokat.
2. Távolítsa el a készülékre ragasztott összes matricát és címkét.
3. Alaposan tisztítsa meg a kosarat, a rostélyt, a sütőedényt és az üvegfedelelet forró vízzel, mosószerrel és egy nem súroló szivaccsal.
4. Törölje meg a készülék belső és külső részeit nedves törlőronggyal.
5. Ne töltsen meg a kosarat vagy a tepsit olajjal vagy zsírral.

Az első használat előtt:

1. Távolítsa el a csomagolóanyagokat.
2. Távolítsa el a készülékre ragasztott összes matricát és címkét.
3. Alaposan tisztítsa meg a kosarat, a rostélyt, a sütőedényt és az üvegfedelelet forró vízzel, mosószerrel és egy nem súroló szivaccsal.
4. Törölje meg a készülék belső és külső részeit nedves törlőronggyal.
5. Ne töltsen meg a kosarat vagy a tepsit olajjal vagy zsírral.

Használat előtti előkészítés

1. Helyezze a készüléket stabil, vízszintes és egyenletes felületre; ne helyezze a készüléket instabil felületre.
 2. Helyezze a rostélyt a kosárba.
 3. Ne töltsen meg a kosarat vagy a sütőedényt olajjal vagy más folyadékkal.
- Ne helyezzen tárgyakat a termék tetejére, mivel azok zavarják a légáramlást és befolyásolják a forrólevegős sütés eredményét.

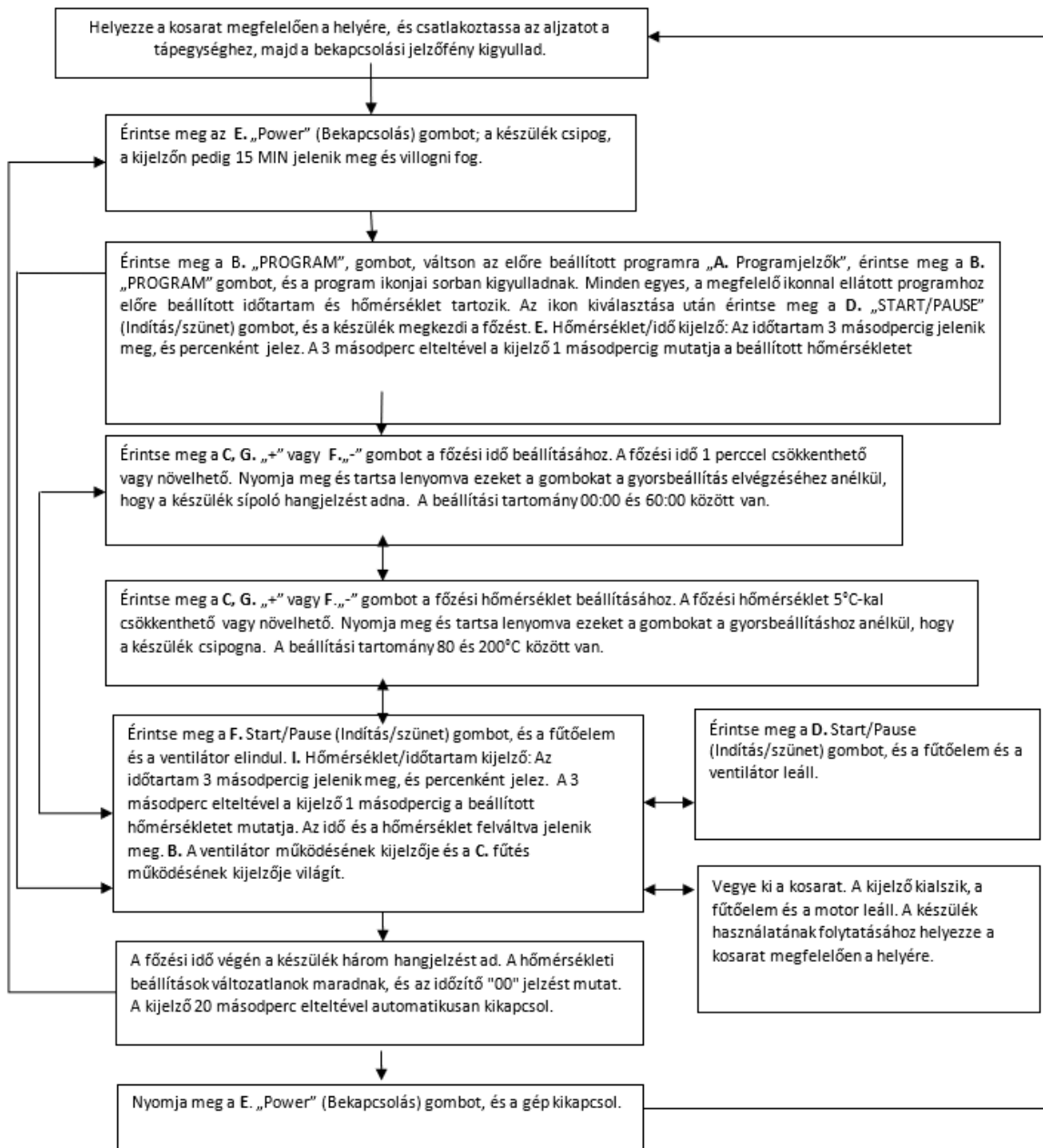
A készülék használata

Sok összetevő olaj nélkül is elkészíthető. A csomag tartalmaz egy receptfüzetet, amely segít megérteni a készülék működését.

Forrólevegős fritőz funkció

1. Csatlakoztassa a csatlakozót egy földelt falaljzathoz.
2. Óvatosan vegye ki a sütőkosarat a főegységéből.
3. Helyezze a hozzávalókat a sütőkosár belsejében lévő rostélyra.
4. Helyezze vissza a sütőkosarat a főegységbe.
5. Határozza meg a kiválasztott hozzávaló elkészüléséhez szükséges időtartamot (tanulmányozza a jelen fejezet „Beállítások” alpontját).
6. Egyes hozzávalókat a készítési idő felénél meg kell kavarni (tanulmányozza a jelen fejezet „Beállítások” alpontját). Rázza fel a hozzávalókat, majd csúsztassa vissza a kosarat a sütőbe.
7. Amikor meghallja a hangjelzést az azt jelenti, hogy az elkészítési idő lejárt. Vegye ki a készülékből a sütőedényt és helyezze egy stabil felületre.
8. Ellenőrizze, hogy a hozzávalók elkészültek-e.
Ha a hozzávalók nem készültek még el, helyezze vissza a sütőedényt a készülékbe és állítsa be az időzítőt további néhány percre.
9. Az összetevők (pl. sült krumpli) eltávolításához vegye ki a kosarat a forrólevegős sütőből, és helyezze egy hőálló rácsra.
10. Ürítse a kosár tartalmát egy tálba vagy egy tányérra.
Tipp: A nagyméretű vagy törékeny hozzávalók eltávolításához vegye ki azokat a kosárból egy konyhai fogóval.
11. Amikor egy adag hozzávaló elkészült a sütő készen áll egy újabb adag készítésére.

Vezérlőpanelek



Javaslatok

- Általában a kisebb hozzávalók hamarabb elkészülnek, mint a nagyobb hozzávalók.
- Nagyobb mennyiségű hozzávalónak több időre van szüksége ahhoz, hogy elkészüljön, mint a kisebb mennyiségű hozzávalónak.
- A kisebb méretű összetevők a készítési idő felénél történő összekavarása optimalizálja a végeredményt és segít megelőzni a hozzávalók egyenlőtlen sülését.
- Ha friss burgonyát süt, cseppentsen a sütőedény aljára néhány csepp olajat, így a burgonya ropogósabb lesz. Helyezze a hozzávalókat a sütőbe néhány perccel az után, hogy hozzáadta az olajat.
- Soha ne készítsen olyan zsíros hozzávalókat (mint például kolbászt) a forrólevegős sütőben.
- A sütőben készíthető harapnivalókat a forrólevegős sütőben is elkészítheti.
- A ropogós sültburgonya készítés optimális mennyisége 500 gramm.
- Töltött harapnivalók gyors és könnyű elkészítéséhez használjon kész tésztát. Ez a tészta rövidebb idő alatt elkészül, mint az otthon készített változata.
- Ha tortát, pitét, törekeny hozzávalókat vagy töltött harapnivalókat szeretne készíteni, helyezzen egy edényt vagy egy sütőformát a kosárba.
- Úgyisint, használhatja a forrólevegős sütőt hozzávalók felmelegítésére is. A hozzávalók felmelegítéséhez állítsa be a hőmérsékletet 150 °C-ra és kapcsolja be a készüléket legtovább 10 percre.

	Mennyiség minimum- maximum (g)	Időtartam (perc)	Hőmérséklet (°C)	Kavargatás	További információk
Burgonya és hasáburgonya					
Vékonyra vágott fagyasztott burgonya	400-500	18-25	200	Igen	
Vastagra vágott fagyasztott burgonya	400-500	20-25	200	Igen	
Rakott burgonya	500	20-25	200	Igen	
Hús					
Karaj	100-500	12-18	180	No	
Sertéskaraj	100-500	12-18	180	No	
Hamburger	100-500	10-20	180	No	
Húspogácsa	100-500	13-15	200	No	
Csirkecomb	100-500	25-30	180	No	
Csirkemell	100-500	18-25	180	No	
Harapnivalók					
Tavaszi tekerics	100-500	8-10	200	Igen	
Fagyasztott csirkefalatkák	100-500	8-12	180	Igen	
Fagyasztott hal rudacskák	100-500	6-10	200	No	
Fagyasztott sajt rudacskák	100-500	8-10	180	No	
Töltött zöldségfélék	100-500	12-20	160	No	
Sütés					
Sütemények	500	8-15	180	No	
Pite	500	20-22	180	No	
Muffin	500	15-18	200	No	
Édes harapnivalók	500	20	160	No	

6. TISZTÍTÁS

Tisztítsa meg a készüléket minden egyes használat után.

A főzőedény és az ételek elhelyezésére szolgáló rács tapadásmentes bevonattal van ellátva. A tisztításhoz ne használjon fémből készült konyhai eszközöket vagy dörzshatású tisztítószeret, mert azok károsíthatják a tapadásmentes bevonatot.

1. Húzza ki a dugaszt a tápforrásból és várja meg, amíg a készülék kihűl.

Megjegyzés: Ahhoz, hogy a forrólevegős sütő gyorsabban lehűljön, vegye ki belőle a kosarat.

2. A készülék külső burkolatát törölje meg egy nedves törlőronggyal.

3. Tisztítsa meg a kosarat és az ételek elhelyezésére szolgáló rácsot forró vízzel, egy kevés mosogatószer és egy nem súroló szivacs segítségével.

A lerakódások eltávolítására használjon zsíroldó folyadékot.

Megjegyzés: Élelmiszer elhelyező kosár és rács alkalmasak mosogatógépben történő mosogatóra.

Tanács: Ha a kosárhoz vagy az ételek elhelyezésére szolgáló rácsra szennyeződés tapad, tegyen forró vizet és egy kevés mosogatószeret a kosárba. Tegye az ételrehelyező rácsot a kosárba, és hagyja a rácsot és a kosarat kb. 10 percig ázni.

1. A készülék belsejét forró vízzel és dörzsmentes szivaccsal tisztítsa.

2. A fűtőelem tisztításához használjon egy kefét, amellyel eltávolíthatja az ételmaradékokat.

Tárolás

1. Húzza ki a dugaszt a tápforrásból és várja meg, amíg a készülék kihűl.

2. Győződjön meg róla, hogy minden alkatrész tiszta és száraz.

3. Nyomja a kábelt a kábeltároló rekeszbe. Rögzítse a kábelt a rögzítő nyílásba történő behelyezéssel.

Tartozékok rendelése

Ha nehézségekbe ütközik a készülékhez szükséges tartozékok beszerzése során, kérjük, forduljon az országában működő ügyfélszolgálati központhoz. Elérhetőségük a garanciaigazolásban található.

Környezetvédelem

A készülék élettartamának lejártá után ne dobja ki a többi háztartási hulladékkal, hanem újrahasznosítás céljából vegye fel a kapcsolatot egy gyűjtőközponttal. Így hozzájárulhat a környezet védelméhez.

7. HIBAELHÁRÍTÁS

Probléma	Esetleges ok	Megoldás
A forrólevegős sütő nem működik.	A készülék nincs csatlakoztatva az elektromos hálózathoz.	Csatlakoztassa a dugaszt egy földeléssel ellátott falicsatlakozóba.
	Az időzítő beállítása szükséges.	A bekapcsoláshoz fordítsa el az időzítő szabályzó gombot a kívánt készítési időtartamra.
A hozzávalók nincsenek elkészülve	Túl sok hozzávaló van a kosárban.	Tegyen kisebb mennyiségű hozzávalót a kosárba. A kisebb mennyiségek egyenletesebben készülnek el.
	A beállított hőmérséklet túl alacsony.	Fordítsa el a hőmérséklet szabályzó gombot a kívánt hőmérsékletre (tanulmányozza a „Beállítások” és a „Készülék használata” című fejezeteket).
	Az elkészítési idő túl rövid.	Fordítsa el az időzítő szabályzó gombot a megfelelő időtartamra (tanulmányozza a „Beállítások” és a „Készülék használata” című fejezeteket).
A hozzávalók egyenlőtlenül vannak elkészítve.	Egyes hozzávalókat össze kell kavarni az elkészítési idő felénél.	Azokat az összetevőket, amelyek legfelül vagy egymáson vannak (mint például a sült burgonya) az elkészítési idő felénél össze kell kavarni. Tanulmányozza a „Beállítások” és a „Készülék használata” című fejezeteket.
Amikor kivesszi a sütőből a harapnivalók nem ropogósak.	Hagyományos sütőben történő sütéshez való hozzávalókat használt.	Használjon megfelelő hozzávalókat vagy kenje be a harapnivalók tetejét kevés olajjal, így azok ropogósabbak lesznek.
A sütőedényt nem lehet megfelelően betenni a készülékbe.	Túl sok hozzávaló van a kosárban.	Csak a MAX jelzésig töltsen teli a kosarat.
	A kosár nincs megfelelően elhelyezve a főzőedényben.	Nyomja a kosarat a főzőedénybe, amíg az a helyére nem rögzül.
A készülékből fehér füst szivárog.	Magas zsírtartalmú hozzávalókat készít.	Amikor magas zsírtartalmú hozzávalókat készít jelentős mennyiségű zsír halmozódik fel az edény alján. Az olaj fehér füstöt képez, a sütőedény túlmelegedhet. Ez azonban nem befolyásolja a készülék működését vagy a végeredményt.
	A sütőedényből nem takarították ki az előző használat alatt felgyűlt zsiradékot.	A fehér füst a sütőedényben található zsiradék felmelegedése következtében jön létre. Minden használat után tisztítsa ki jól az edényt.
A friss burgonya egyenlőtlenül készül el.	Nem a megfelelő burgonyafajtát használta.	Használjon friss burgonyát, és ügyeljen arra, hogy ne legyen puhány.
	Készítés előtt nem mosta meg eléggé a burgonyát.	Öblítse le jól a hasábburgonyát, hogy a keményítő ne maradjon rajta.
Amikor kivesszi a sütőből a burgonya nem ropogós.	A burgonya ropogóssága a sütőedényben található olaj mennyiségétől és a burgonya víztartamától függ.	Mielőtt hozzáadná az olajat, győződjön meg róla, hogy a burgonya nem vizes. Minél kisebb darabokra vágja a burgonyát, annál ropogósabb lesz a készítés végén. Adjon hozzá egy kicsivel több olajat az igazán ropogós hasábburgonyáért.

SZERVIZ ÉS ÜGYFÉLSZOLGÁLAT

Kizárólag eredeti cserealkatrészeket használjon.

Mielőtt felvenné a kapcsolatot az engedélyezett szakszervizünkkel, győződjön meg róla, hogy a következő adatok a rendelkezésére állnak: Modell megnevezése és sorozatszám.

Ezeket az adatokat a készülék műszaki adattábláján találja. Ezek az adatok előzetes értesítés nélkül is megváltoztathatók.

MŰSZAKI ADATOK

Tápfeszültség	220-240V~50/60Hz
Teljesítmény	1500 W
Kapacitás	4L
Hőmérséklet	80-200 °C

Köszönjük, hogy megvásárolta termékünket! Ha segítségre van szüksége a termékkel kapcsolatban, kérjük, látogasson el weboldalunkra az alábbi linkek segítségével.

Használati útmutatók beszerzése: <https://www.heinner.ro>

Javítási információk letöltése: <https://www.heinner.ro>



A hulladékok környezetfelelős eltávolítása

Segíthet a környezet védelmében!

Kérjük, tartsa be a helyi rendelkezéseket: a nem működő elektromos berendezéseket a használt elektromos hulladékokat gyűjtő központba szolgáltassa be.



A HEINNER a Network One Distribution SRL(KFT) társaság által bejegyzett védjegy. A többi márkajelzés és a termékek megnevezése kereskedelmi vagy az illető birtoklók által bejegyzett márkanévek.

A leírtak egyetlen része sem használható fel semmilyen formában, még lefordított, átalakított változatban sem, a NETWORK ONE DISTRIBUTION előzetes beleegyezése nélkül.

Copyright © 2013 Network One Distribution. Minden jog fenntartva.

www.heinner.com, <http://www.nod.ro>



A terméket az Európai Közösség előírásainak és jogszabályainak megfelelően tervezték és gyártották.



Importőr: **Network One Distribution**

Marcel Iancu utca, 3-5 szám, Bukarest (București), Románia

Tel: +40 21 211 18 56, www.heinner.com, www.nod.ro

ФРИТЮРНИК С ГОРЕЩ ВЪЗДУХ

Model: BlackMatte

HAF-B4BK1500



- Капацитет: 4 Л
- Мощност: 1500 W
- Температура 80-200°C

HEINNER

1. ВЪВЕДЕНИЕ

Моля прочетете внимателно инструкциите и запазете наръчника за бъдещи справки.

Този наръчник има за цел да Ви предостави всички необходими инструкции по отношение на инсталирането, използването и поддържането на уреда. Преди инсталиране и използване на уреда, с цел правилна и безопасна употреба на уреда, моля прочетете внимателно този наръчник с инструкции.

2. СЪДЪРЖАНИЕ НА ВАШИЯ ПАКЕТ

- ➔ Фритюрник с горещ въздух
- ➔ Наръчник за употреба
- ➔ Сертификат за гаранция
- ➔ Декларация за съответствие

3. ИНСТРУКЦИИ ЗА БЕЗОПАСНОСТ

ОБЩИ УКАЗАНИЯ

Тогава, когато използвате електроуреди, спазвайте основните предпазни мерки за безопасност, включително следните:

1. Прочетете всички инструкции.
2. Не докосвайте горещите повърхности.
3. За да се защитите от токов удар, не поставяйте кабела, щепсела или корпуса на уреда във вода или други течности.
4. ПРЕДУПРЕЖДЕНИЕ: Този електроуред е оборудван с функция за нагряване. Даже и повърхностите, които не са част от системата за нагряване на уреда, могат да достигнат до високи температури. Този електроуред трябва да се използва ВНИМАТЕЛНО поради факта, че различните хора имат различно усещане за температура. Боравенето с уреда трябва да се извършва само чрез захващане на дръжките и докосване на повърхностите за захващане. Носете защитни ръкавици. Повърхностите, които не са предназначени за захващане, трябва да бъдат оставени да се охладят достатъчно, преди да бъдат докосвани.
5. Изключвайте уреда от източника за хранване с електроенергия тогава, когато не се използва и преди почистване. Оставете уреда да изстива преди добавяне или премахване на аксесоари, както и преди почистване на уреда.
6. С цел предотвратяване на опасности, ако хранващият кабел е повреден, трябва да се подмени от производителя, от неговия сервизен представител или от лица с подобна квалификация.
7. Използването на аксесоари, не препоръчани от производителя на уреда, може да причини наранявания.

8. Не използвайте уреда на открито.
9. Не оставяйте електрическия кабел да виси над ръба на масата или да контактува с горещи повърхности.
10. Не поставяйте уреда върху или до газова горелка или електрически котлон; не поставяйте уреда в нагрятата фурна.
11. Необходимо е да действате особено внимателно, когато премествате уред, който съдържа горещо олио или други горещи течности.
12. Включете първо конектора на кабела в уреда, след това включете щепсела в източника за захранване. За изключване от източника на захранване, завъртете бутоните за управление до позиция „Изключено“ и извадете щепсела от контакта.
13. Не използвайте уреда за цел, различна от тази, за която е проектиран.
14. Уредът може да се използва от деца на възраст най-малко 8 години и от лица с намалени физически, сетивни или умствени способности, или с липса на достатъчен опит и познания, само ако са под наблюдение или са получили указания във връзка с използването на уреда по безопасен начин и ако разбират опасностите, които могат да възникнат при използване на уреда. Децата нямат право да си играят с уреда. Почистването и поддръжката не трябва да се извършват от деца, освен ако са на възраст най-малко 8 години и са под наблюдение.
15. Не оставяйте уреда и захранващия кабел в близост до деца на възраст по-малка от 8 години тогава, когато уредът е включен или се охлажда.
16. Уредите не са предназначени за използване чрез външен таймер или чрез система за дистанционно управление.

Важно

Уредът може да се използва от деца на възраст от 8 години и от лица с намалени физически, сетивни или умствени възможности, които нямат опит или познания само, ако са наблюдавани или обучени относно безопасната употреба на уреда и, ако разбират опасностите, свързани с употребата.

Не позволявайте на децата да си играят с този уред. Децата нямат право да почистват, използват и поддържат този уред, освен ако не са на възраст над 8 години и са наблюдавани от възрастен.

- Не оставяйте уреда на достъпни места за деца на възраст под 8 години.
- Не потапяйте корпуса на уреда и неговите нагревателни елементи във вода и не ги изплаквайте под водна струя, тъй като съдържат електрически компоненти.
- За да предотвратите токов удар, не допускате проникването на вода или на други течности в уреда.
- Съставките, които следва да се готвят, трябва да бъдат поставени в съд за пържене или печене, за да се предотврати контакта с нагревателния елемент.
- Не покривайте отворите за влизане или за извеждане на въздух по време на функциониране на уреда.
- Не поставяйте олио в съда за готвене, тъй като това може да причини опасност от пожар.
- Не докосвайте вътрешността на уреда, докато работи.
- Температурите на достъпните повърхности са много високи по време на функциониране на уреда.

Предупреждения

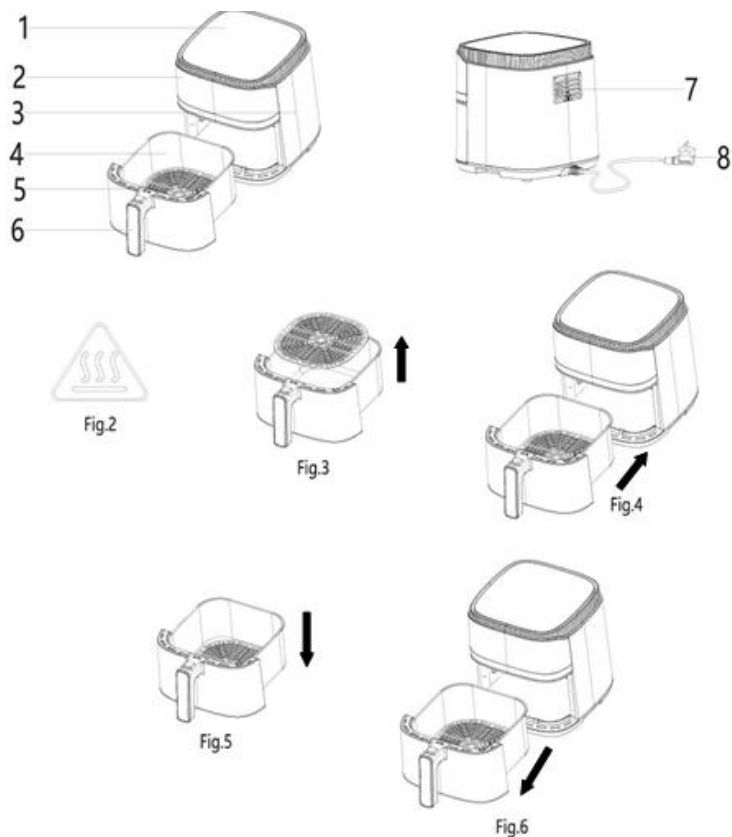
- Уверете се, че посоченото върху уреда напрежение съответства на доставеното от мрежата за захранване с електроенергия.
- Не използвайте уреда, ако забележите повреди на захранващия кабел, щепсела или други компоненти.
- Не използвайте уреда, ако забележите повреди на захранващия кабел, щепсела или други компоненти.
- Предпазвайте захранващия кабел от горещи повърхности.

- Не включвайте щепсела в източника на захранване и не натискайте бутоните на контролния панел с мокри ръце.
- Не поставяйте уреда много близо до стена или други уреди. Оставете свободно място най-малко 10 см от задната страна, горната страна и от двете страни на уреда. Не поставяйте нищо върху уреда.
- Използвайте уреда само за целите, които са посочени в настоящия наръчник.
- Не оставяйте уреда да функционира без наблюдение.
- Горещият въздух излиза през изпускателния отвор за въздух. Дръжте ръцете и лицето си далеч от изпускателния отвор, за да избегнете изгаряния от горещия въздух и парата, които излизат от изпускателния отвор. Освен това внимавайте с горещия въздух и парата, когато изваждате от уреда съда за пържене, стъкления капак и съда за печене.
- Достъпните повърхности могат да се нагриват по време на използване на уреда.
- Ако забележите, че излиза черен дим, моля, изключете незабавно щепсела от източника на захранване с електроенергия. Изчакайте, докато спре да излиза дим, преди да извадите от уреда кошницата на фритюрника, стъкления капак и съда за печене. Винаги използвайте защитни ръкавици, когато боравите със скарата, съда за печене или стъкления капак.

Внимание!

- Уверете се, че уредът е поставен върху хоризонтална, равна и стабилна повърхност.
- Този уред е предназначен само за домашна употреба. Възможно е той да не е подходящ за използване при безопасни условия в среди като кухни, ферми, мотели и други нежилищни помещения. Също така, уредът не е предназначен за използване от страна на клиентите на хотели, мотели, пансиони или други подобни места.
- Ако уредът се използва по несъответстващ начин или за професионални / полупрофесионални цели, както и ако не се използва в съответствие с инструкциите от наръчника за употреба, гаранцията ще се анулира и ние не носим никаква отговорност за причинени щети.
- Изключвайте уреда от източника на захранване, когато няма да го използвате.
- Продуктите трябва да се оставят да се охлаждат за около 30 минути преди да се борави с тях или преди да се почистват.

4. ОПИСАНИЕ НА ПРОДУКТА



1. Горна повърхност
2. Контролен панел
3. Корпус
4. Съд за приготвяне
5. Решетка за позициониране на храната
6. Дръжка на кошницата
7. Отвори за отвеждане на въздуха
8. Захранващ кабел

5. ИЗПОЛЗВАНЕ НА ПРОДУКТА

Преди първата употреба:

1. Отстранете всички елементи за опаковане.
2. Премахнете всички стикери или етикети от уреда.
3. Почистете добре съда за пържене, скарата, съда за печене и стъкления капак с топла вода, препарат за миене на съдове и неабразивна гъба.
4. Избършете вътрешната и външната част на уреда с влажна кърпа.
5. Не пълнете съда за пържене или съда за печене с олио или мазнина.

Подготовка преди употреба

1. Поставете уреда върху стабилна, хоризонтална и равна повърхност. Не поставяйте уреда върху нестабилна повърхност.
2. Поставете скарата в съда за пържене.
3. Не пълнете съда за пържене или съда за печене с олио или други течности.
Не поставяйте предмети върху продукта, тъй като ще нарушат циркулацията на въздуха и ще засегнат резултатите от готвенето с горещ въздух.

Използване на уреда

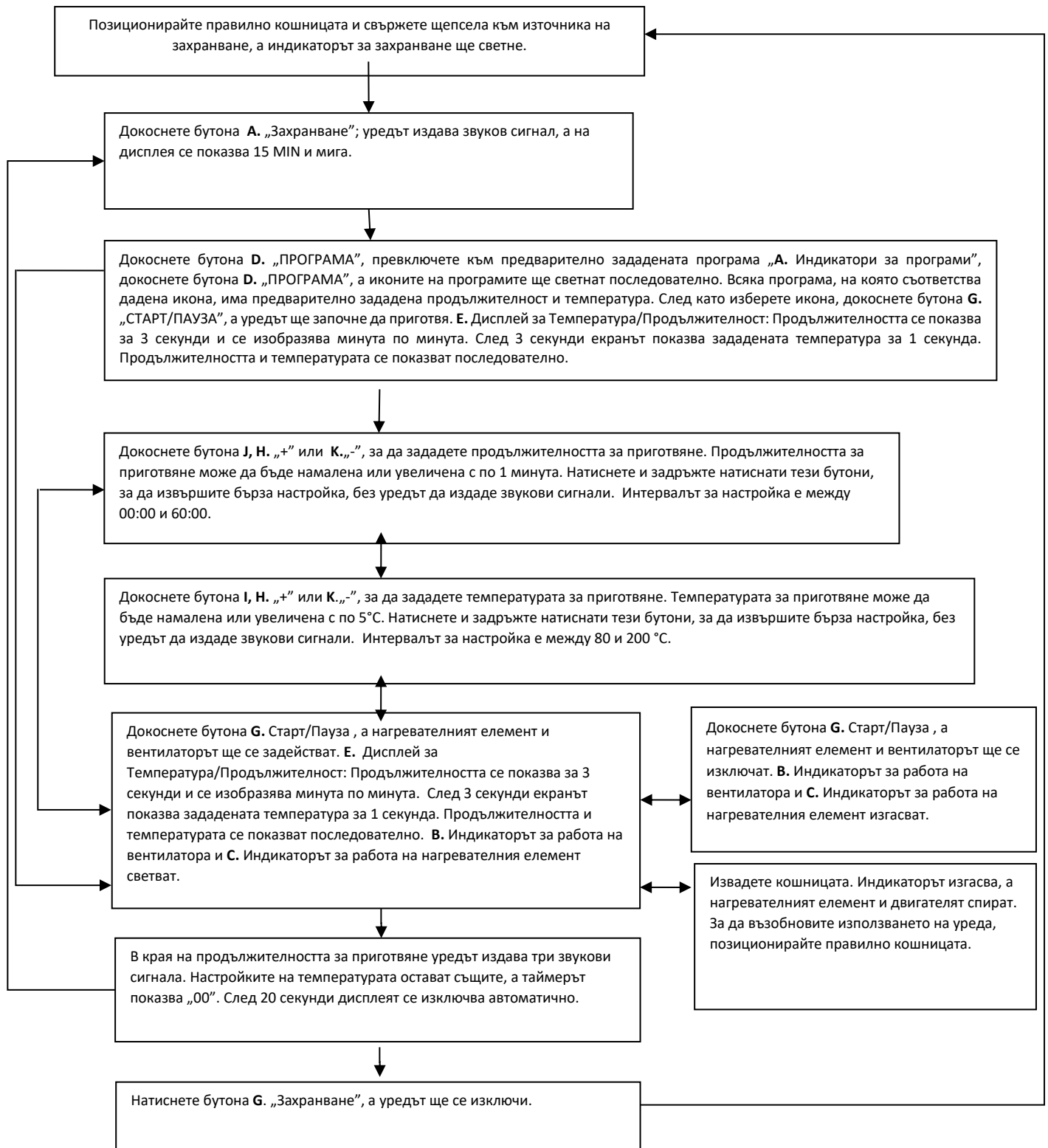
Много съставки могат да се готвят без олио. Опаковката съдържа малка брошура с рецепти, за да Ви помогне да разберете как работи уреда.

Функция фритюрник с горещ въздух

1. Включете щепсела в стенен контакт със заземяване.
2. Извадете внимателно съда за пържене от основния корпус.
3. Поставете съставките върху скарата от вътрешността на съда за пържене.
4. Вкарайте съда за пържене обратно в основния корпус.
5. Определете необходимото време за пържене/готвене за избраната съставка (вижте информацията в раздел „Настройки“ от настоящата глава).
6. Някои съставки изискват разбъркване, като се разклаща кошницата, по средата на времето за готвене (вижте информацията в раздел „Настройки“ от настоящата глава). Разклатете съставките, след което плъзнете съда обратно във фритюрника.
7. Когато чуете звуковия сигнал на таймера, настроеното време за готвене е изтекло. Извадете съда за пържене от уреда и поставете го върху стабилна поставка.
8. Проверете дали съставките са приготвени.
Ако съставките не са още приготвени, поставете съда за пържене отново в уреда и настройте таймера, за да пригответе съставките няколко минути допълнително.
9. За да извадите съставките (например пържените картофи), извадете съда от фритюрника с горещ въздух и го поставете върху топлоустойчива поставка.
10. Изсипете съдържанието на кошницата в една купа или чиния.
Съвет: За да изваждате големите или крехките съставки, вземайте ги от съда за готвене с помощта на кухненски щипки.
11. След приготвяне на една партида съставки фритюрникът с горещ въздух е готов веднага за приготвяне на друга партида.

Контролни панели





Препоръки

- По принцип, съставките с малки размери изискват по-кратко време за приготвяне, в сравнение с по-големите съставки.
- По-голямото количество съставки изисква по-дълго време за приготвяне, а по-малкото количество съставки изисква по-кратко време за приготвяне.

- Разбъркването на съставките с малки размери по средата на времето за готвене подобрява крайния резултат и може да помогне за предотвратяване на неравномерното приготвяне на съставките.
- При приготвяне на пресни картофи, поставете малко олио в съда за пържене и картофите ще станат по-хрупкави. Поставяйте съставките във фритюрника с горещ въздух няколко минути след наливане на олиото.
- Не приготвяйте съставки с високо съдържание на мазнини (като например наденици) във фритюрника с горещ въздух.
- Закуските, които могат да бъдат приготвени във фурна, могат да бъдат приготвени и във фритюрника с горещ въздух.
- Оптималното количество за приготвяне на хрупкави пържени картофи е 500 грама.
- Използвайте закупено тесто, за да пригответе бързо и лесно закуски с пълнеж. Това тесто изисква по-кратко време за приготвяне в сравнение с домашно приготвеното тесто.
- Поставете съд или форма за печене във фурна в кошницата на фритюрника с горещ въздух, ако желаете да изпечете блатове за торта или питка, или ако желаете да пригответе крехки съставки или закуски с пълнеж.
- Също така, може да използвате фритюрника, за да претоплите съставките. За тази цел настройте температурата на 150°C и включете уреда за най-много 10 минути.

	Минимално - максимално количество (гр.)	Продължителност (мин.)	Температура (°C)	Разбъркване (чрез разклащане на кошницата)	Допълнителна информация
Картофи и картофи на пръчици					
Замразени тънко нарязани картофи	500-600	18-25	200	да	
Дебело нарязани замразени картофи	500-600	20-25	200	да	
Картофи огретен	600	20-25	200	да	
Месо					
Котлет	100-600	12-18	180	Не	
Свински котлети	100-600	12-18	180	Не	
Хамбургер	100-600	10-20	180	Не	
Бюрек/Баничка с месо	100-600	13-15	200	Не	
Пилешки горни бутчета	100-600	25-30	180	Не	
Пилешки гърди	100-600	18-25	180	Не	
Закуски				Не	
Пролетни рулца	100-600	8-10	200	да	
Замразени пилешки пръчици	100-600	8-12	180	да	
Замразени рибни крокети	100-500	6-10	200	Не	
Замразен паниран кашкавал	100-500	8-10	180	Не	
Пълнени зеленчуци	100-500	12-20	160	Не	
Печене					
Сладкиши	500	8-15	180	Не	
Питка	500	20-22	180	Не	
Мъфини	500	15-18	200	Не	
Сладки закуски	350	20	160	Не	

6. ПОЧИСТВАН

Почиствайте уреда след всяка употреба.

Съдът за приготвяне и решетката за позициониране на храната са снабдени с незалепващо покритие. Не използвайте метални кухненски прибори или абразиви за почистването им, тъй като те могат да повредят незалепващото покритие.

1. Изключете щепсела от източника на захранване и оставете уреда да се охлади.

Забележка: За да охладите фритюрника с горещ въздух по-бързо, извадете кошницата от него.

2. Избършете външната част на уреда с влажна кърпа.

3. Почистете кошницата и решетката за позициониране на храната с гореща вода, като използвате малко препарат за миене на съдове и неабразивна гъба.

За да премахнете останалата мръсотия, можете да използвате обезмаслителна течност.

Забележка: Кошницата и решетката за позициониране на храната са подходящи за миене в съдомиялна машина.

Съвет: Ако мръсотията полегне по кошницата или решетката за позициониране на храната, сложете гореща вода и малко препарат за миене на съдове в кошницата. Поставете решетката за позициониране на храната в кошницата и оставете решетката и кошницата да се накиснат за около 10 минути.

1. Почистете вътрешната част на уреда с гореща вода и неабразивна гъба.

2. Почиствайте нагревателния елемент с четка, за да отстраните остатъците от храни.

Съхранение

1. Изключете щепсела от източника на захранване и оставете уреда да се охлади.

2. Уверете се, че всички компоненти са чисти и сухи.

3. Избутайте кабела в отделението за съхранение на кабела. Закрепете кабела, като го въведете в слота за закрепване.

Поръчване на аксесоари

Ако срещнете трудности при набавянето на аксесоари за вашия уред, моля, свържете се с Центъра за обслужване на клиенти във вашата страна. Неговите данни за контакт са налични в гаранционния сертификат.

Опазване на околната среда

Когато уредът стигне до края на периода за експлоатация, не го изхвърляйте заедно с битовите отпадъци, а транспортирайте го до пункт за събиране на отпадъци с оглед рециклиране. По този начин помагате за опазване на околната среда.

7. ОТСТРАНЯВАНЕ НА НЕИЗПРАВНОСТИ

Проблем	Възможна причина	Решение
Фритюрникът с горещ въздух не функционира.	Уредът не е свързан към източника на захранване.	Свържете щепсела към контакт на стената, предвиден със заземяване.
	Необходима е настройка на таймера.	Завъртете бутона за настройка на таймера до желаното време за готвене, за да включите уреда.
Съставките не са достатъчно приготвени	Количеството на съставките в кошницата е твърде голямо.	Поставете по-малки количества съставки в кошницата. По-малките количества се приготвят по-равномерно.
	Зададената температура е твърде ниска.	Завъртете бутона за настройка на температурата до желаната температура (вижте информацията в раздели „Настройки“ и „Използване на уреда“).
	Продължителността на готвене е твърде кратка.	Завъртете бутона за настройка на таймера до необходимото време (вижте информацията в раздели „Настройки“ и „Използване на уреда“).
Съставките са приготвени неравномерно.	Определени видове съставки трябва да се разбъркат, чрез разклащане на кошницата, по средата на времето за готвене.	Съставките, които се намират в горната страна или едни върху други (например картофите на пръчици) трябва да се разбъркат по средата на времето за готвене. Вижте информацията в раздели „Настройки“ и „Използване на уреда“.
Закуските не са хрупкави, когато се извадят от фритюрника.	Използвали сте съставки, предназначени за приготвяне в традиционен фритюрник.	Използвайте закуски, предназначени за печене във фурна, или поставете малко олио върху закуските, за да станат по-хрупкави по време на приготвяне.
Съдът за пържене не може да бъде поставен по съответстващ начин в уреда.	В кошницата има твърде много съставки.	Не пълнете кошницата над знака MAX.
	Кошницата не е поставена правилно в съда за готвене.	Натиснете кошницата в съда за готвене, докато се закрепят на място.
От уреда излиза бял дим.	Пригответе съставки с високо съдържание на мазнини.	Когато пригответе съставки с високо съдържание на мазнини, голямо количество мазнина ще изтече в съда за пържене. Олиото образува бял дим, а съдът за пържене може да се нагрее повече от обикновено. Това не засяга функционирането на уреда или крайния резултат.
	Съдът за пържене съдържа мазнина, която е останала вследствие на предходна употреба.	Белият дим се образува от мазнината, която се нагрее в съда за пържене. Почистете добре съда за пържене след всяка употреба.
Пресните картофи са приготвени/изпържени неравномерно.	Не сте използвали подходящия вид картофи.	Използвайте пресни картофи и уверете се, че не омекват.
	Не сте изплакнали по съответстващ начин картофите на пръчици преди да ги пригответе.	Изплакнете по съответстващ начин картофите на пръчици, за да отстраните нишестето върху тях.
Картофите не са хрупкави, когато се извадят от фритюрника.	Хрупкавата текстура на картофите зависи от количеството олио в съда за пържене и от количеството вода в картофите.	Уверете се, че сте отстранили водата върху картофите, преди да добавите олиото.
		Нарежете картофите на по-дребни парченца, за да бъдат по-хрупкави след приготвяне.
		Добавете малко повече олио, за да станат картофите по-хрупкави.

СЕРВИЗ И ОБСЛУЖВАНЕ НА КЛИЕНТИ

Използвайте само оригинални резервни части.

Когато се свързвате с нашия оторизиран сервизен център, уверете се, че имате под ръка следната информация: Наименование на модела и сериен номер.

Информацията може да бъде намерена на табелката с технически данни. Те подлежат на промяна без предварително уведомление.

ТЕХНИЧЕСКИ ДАННИ

Захранващо напрежение	220-240V~50/60Hz
Мощност	1500 W
Капацитет	4 Л
Температура	80-200 °C

Благодарим Ви за закупуването на този продукт! Ако се нуждаете от помощ за вашия продукт, посетете нашия уебсайт, като използвате линковете по-долу.

Получете ръководства за употреба: <https://www.heinner.ro>

Получете информация за ремонт: <https://www.heinner.ro>



Изхвърляне на отпадъците по начин, отговорен за околната среда

Можете да помогнете за опазването на околната среда!

Моля спазвайте местните разпоредби: Предайте нефункциониращото електрическо оборудване на център за събиране на отпадъци от електрическо оборудване.



HEINNER е регистрирана марка на компанията Network One Distribution SRL.

Останалите търговски марки и наименованията на продуктите са търговски марки или регистрирани търговски марки на съответните им притежатели.

Нито една част от спецификациите не може да бъде възпроизвеждана под каквато и да е форма или средство, или използвана за получаване на производни като преводи, трансформации или адаптации, без предварителното съгласие на компанията NETWORK ONE DISTRIBUTION.

Copyright © 2013 Network One Distribution. Всички права запазени.

www.heinner.com, <http://www.nod.ro>



Този продукт е проектиран и произведен в съответствие със стандартите и нормите на Европейската общност.



Вносител: Network One Distribution

ул. Марчел Янку № 3-5, Букурещ, Румъния

Тел: +40 21 211 18 56, www.heinner.com , www.nod.ro