

HEINNER

FREEZER

Model:

HFF-N240NFF+/HFF-N240NFXF+



www.heinner.ro

- Freezer
- Energy class: F
- Total capacity: 240 L

Thank you for choosing this product!

I. INTRODUCTION

Please read the instructions carefully and keep the manual for future information.

This manual is designed to give all necessary instructions concerning installation, use and maintenance of the unit. In order to operate the unit correctly and safely, please read this instruction manual carefully before installation and use.

II. YOUR PACKAGE CONTAINS



- Refrigerator
- User manual
- Certificate of warranty

III. SAFETY INFORMATION

For your safety and correct usage, before installing and first using the appliance, read this user manual carefully, including its hints and warnings. To avoid unnecessary mistakes and accidents, it is important to make sure that all people using the appliance are thoroughly familiar with its operation and safety features. Save these instructions and be sure that they remain with the appliance if it is moved or sold, so that anyone using it throughout its life, will be properly informed on its usage and safety notices.

For the safety of life and property, keep the precautions of these user's instructions as the manufacturer is not responsible for damages caused by omission.

According to EN standard:

This appliance can be used by children aged from 8 years and above and persons with reduced physical, sensory or mental capabilities or lack of experience and knowledge if they have been given supervision or instruction concerning use of the appliance in a safe way and understand the hazards involved. Children shall not play with the appliance. Cleaning and user maintenance shall not be made by children without supervision.

According to IEC standard:

This appliance is not intended for use by persons (including children) with reduced physical, sensory or mental capabilities, or lack of experience and knowledge, unless they have been given supervision or instruction concerning use of the appliance by a person being responsible for their safety.

- Children should be supervised to ensure that they do not play with the appliance.
- Keep all packaging away from children as there is risk of suffocation.
- If you are discarding the appliance, pull the plug out of the socket, cut the connection cable (as close to the appliance as you can) and remove the door to prevent children playing from suffering an electric shock or from closing themselves inside it.
- If this appliance, featuring a magnetic door seal, is to replace an older appliance having a spring lock (latch) on the door or lid, be sure to make the spring lock unusable before you discard the old appliance. This will prevent it from becoming a death trap for a child.

General safety

WARNING - This appliance is intended to be used in household and similar applications such as:

- staff kitchen areas in shops, offices and other working environments;
- farm houses and hotels, motels and other residential type environments;
- bed and breakfast type environments;
- catering and similar non-retail applications.

WARNING - Do not store explosive substances such as aerosol cans with a flammable propellant in this appliance.

WARNING - If the supply cord is damaged, it must be replaced by the manufacturer, its service agent or similarly qualified persons in order to avoid a hazard.

WARNING - Keep ventilation openings, in the appliance enclosure or in the built-in structure, clear of obstruction.

WARNING - Do not use mechanical devices or other means to accelerate the defrosting process, other than those recommended by the manufacturer.

WARNING - Do not damage the refrigerant circuit.

WARNING - Do not use electrical appliances inside the food storage compartments of the appliance, unless they are of the type recommended by the manufacturer.

WARNING - The refrigerant and insulation blowing gas are flammable. When disposing of the appliance, do so only at an authorized waste disposal centre. Do not expose to flame.

WARNING - When positioning the appliance, ensure the supply cord is not trapped or damaged.

WARNING - Do not locate multiple portable socket-outlets or portable power supplies at the rear of the appliance.

Replacing the illuminating lamps

WARNING - The illuminating lamps must not be replaced by the user! If the illuminating lamps is damaged, contact the authorized service. This warning is only for refrigerators that contain illuminating lamps.

Refrigerant

The refrigerant isobutene (R600a) is contained within the refrigerant circuit of the appliance, a natural gas with a high level of environmental compatibility, which is nevertheless flammable. During transportation and installation of the appliance, ensure that none of the components of the refrigerant circuit becomes damaged.

The refrigerant (R600a) is flammable.

WARNING - Refrigerators contain refrigerant and gases in the insulation. Refrigerant and gases must be disposed of professionally as they may cause eye injuries or ignition. Ensure that tubing of the refrigerant circuit is not damage prior to proper disposal.

It is hazardous for anyone other than an Authorized Service Person to service this appliance.



Warning: Risk of fire

If the refrigerant circuit should be damaged:

- Avoid opening flames and sources of ignition.
- Thoroughly ventilate the room in which the appliance is situated.

It is dangerous to alter the specifications or modify this product in any way. Any damage to the cord may cause a short circuit, fire, and/or electric shock.

Electrical safety

1. The power cord must not be lengthened.
2. Make sure that the power plug is not crushed or damaged. A crushed or damaged power plug may overheat and cause a fire.

3. Make sure that you can access the main plug of the appliance.
4. Do not pull the main cable.
5. If the power plug socket is loose, do not insert the power plug. There is a risk of electric shock or fire.
6. You must not operate the appliance without the interior lighting lamp cover.
7. The fridge is only applied with power supply of single-phase alternating current of 220~240V/50Hz. If fluctuation of voltage in the district of user is so large that the voltage exceeds the above scope, for safety's sake, be sure to apply A.C. Automatic voltage regulator of more than 350W to the fridge. The fridge must employ a special power socket instead of common one with other electric appliances. Its plug must match the socket with ground wire.

Daily use

- Do not store flammable gas or liquids in the appliance, There is a risk of an explosion.
- Do not operate any electrical appliances in the appliance (e.g. electric ice cream makers, mixers etc.).
- When unplugging always pull the plug from the mains socket, do not pull on the cable.
- Do not place hot items near the plastic components of this appliance.
- Do not place food products directly against the air outlet on the rear wall.
- Store pre-packed frozen food in accordance with the frozen food manufacturer's instructions.
- The appliances manufactures storage recommendations should be strictly adhered to. Refer to relevant instructions for storage.
- Do not place carbonated or fizzy drinks in the freezer compartment as it creates pressure on the container, which may cause it to explode, resulting in damage to the appliance.
- Frozen food can cause frost burns if consumed straight from the freezer compartment.
- Do not place the appliance in direct sunlight.
- Keep burning candles, lamps and other items with naked flames away from the appliance so that do not set the appliance on fire.
- The appliance is intended for keeping food stuff and/or beverages in normal household as explained in this instruction booklet. You should take care when move it as the appliance is heavy.
- Do not remove nor touch items from the freezer compartment if your hands are damp/wet, as this could cause skin abrasions or frost/freezer burns.
- Never use the base, drawers, doors etc. to stand on or as supports.
- Frozen food must not be refrozen once it has been thawed out.

- Do not consume ice popsicles or ice cubes straight from the freezer as this can cause freezer burn to the mouth and lips.
- To avoid items falling and causing injury or damage to the appliance, do not overload the door racks or put too much food in the crisper drawers.
- This refrigerating appliance is not intended to be used as a built-in appliance.
- Children aged from 3 to 8 years are allowed to load and unload refrigerating appliances.

Care and cleaning

- Before maintenance, switch off the appliance and disconnect the mains plug from the mains socket.
- Do not clean the appliance with metal objects, steam cleaner, ethereal oils, organic solvents or abrasive cleansers.
- Do use a plastic scraper instead of a sharp object to remove frost from the appliance.

Installation

- For electrical connection carefully, follow the instructions given in this manual. Unpack the appliance and check if there are damages on it.
- Do not connect the appliance if it is damaged. Report possible damages immediately to the place you bought it. In this case retain packing.
- It is advisable to wait at least four hours before connecting the appliance to allow the oil to flow back in the compressor.
- Adequate air circulation should be around the appliance, lacking this leads to overheating. To achieve sufficient ventilation, follow the instructions relevant to installation.
- Wherever possible the back of the product should not be too close to a wall to avoid touching or catching warm parts (compressor) to prevent the risk of a fire, follow the instructions relevant to installation.
- The appliance must not be located close to radiators or cookers.
- Make sure that the mains plug is accessible after the installation of the appliance.

Service

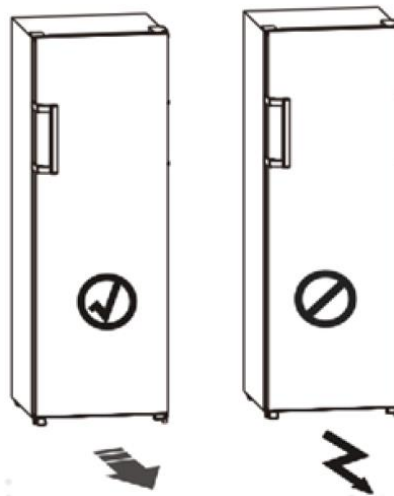
- Any electrical work required to do the servicing of the appliance should be carried out by qualified electrician or competent person.
 - This product must be serviced by an authorized Service Center, and only genuine spare parts must be used.
- 1) If the appliance is Frost Free.
 - 2) If the appliance contains freezer compartment.

IV. INSTALLING YOUR NEW APPLIANCE

Before using the appliance for the first time, you should be informed of the following tips.

Warning!

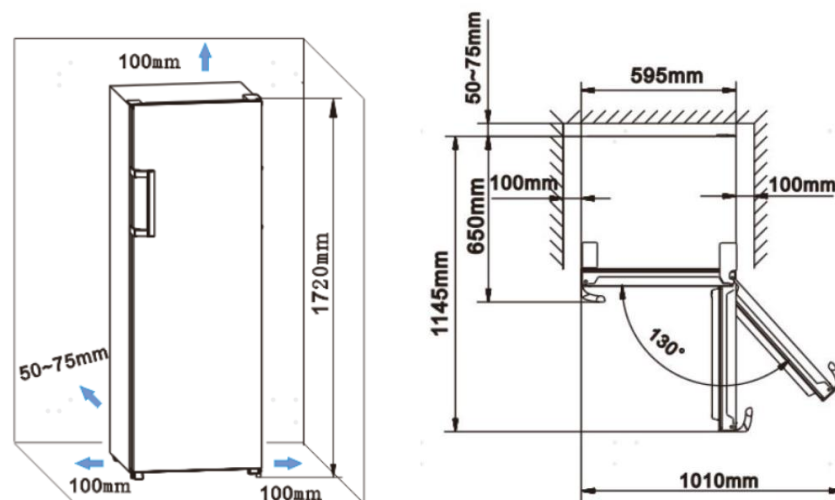
For proper installation, this freezer must be placed on a level surface of hard material that is the same height as the rest of the flooring. This surface should be strong enough to support a fully loaded freezer. The rollers, which are not castors, should be only used for forward or backward movement. Moving the freezer sideways may damage your floor and the rollers.



Ventilation of appliance

In order to improve efficiency of the cooling system and save energy, it is necessary to maintain good ventilation around the appliance for the dissipation of heat. For this reason, sufficient clear space should be available around the freezer.

Suggest: It is advisable for there to be 50-75 mm of space from the back to the wall, at least 100 mm from its top, at least 100 mm from its side to the wall and a clear space in front to allow the doors to open 130°. As shown in follow diagrams.



Note:

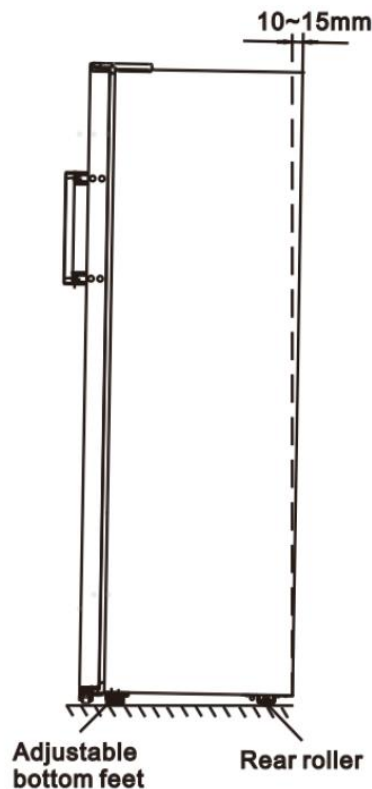
- This appliance performs well within the climate class from SN to T showed in the table below. It may not work properly if being left at a temperature above or below the indicated range for a long period.

Climate class	Ambient temperature
SN	+10°C to +32°C
N	+16°C to +32°C
ST	+16°C to +38°C
T	+16°C to +43°C

- Stand your appliance in a dry place to avoid high moisture.
- Keep the appliance out of direct sunlight, rain or frost. Stand the appliance away from heat sources such as stoves, fires or heaters.

Leveling of appliance

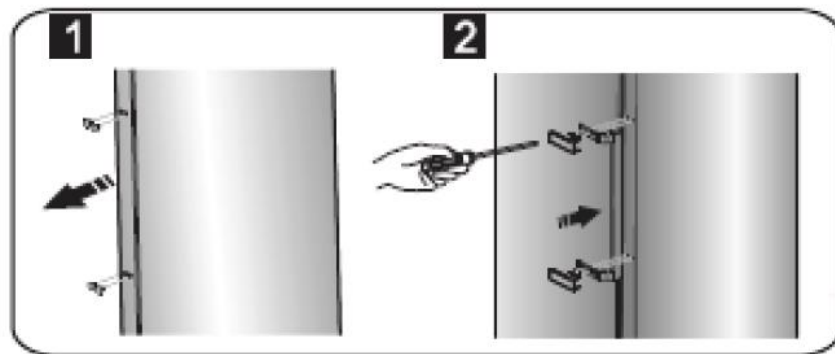
- For sufficient leveling and air circulating in the lower rear section of the appliance, the bottom feet may need to be adjusted. You can adjust them manually by hand or by using a suitable spanner.
- To allow the doors to self-close, tilt the top backwards by 10 – 15 mm.



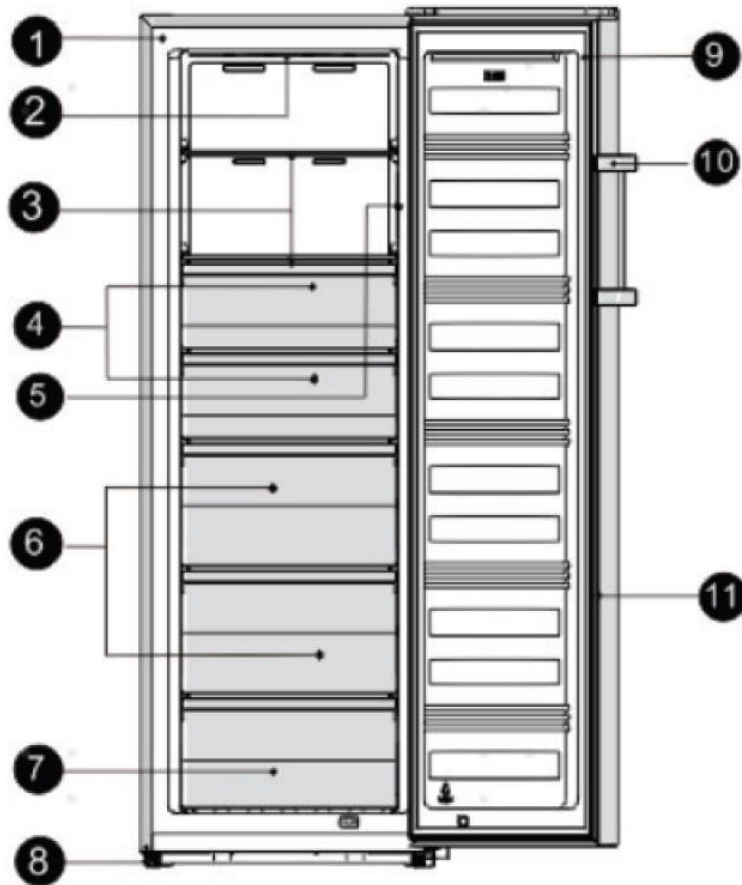
Installing the door handles

For the convenience of transportation, the door handles are separately provided in a plastic bag, you can install the door handles as follows.

1. Lever screw covers on the left side of the door, and then put them back to the plastic bag.
2. Match the handle on the left side of the door, keeping axes of the screw holes in the handle and the door in a line, as the picture shows.
3. Fix the handle with the special screws provided in the plastic bag.



V. DESCRIPTION OF THE APPLIANCE



1. Cabinet	7. Lower drawer part
2. LED light	8. Adjustable bottom feet
3. Glass shelf	9. Freezer door
4. Upper drawer parts	10. Handle
5. Display	11. Freezer gasket
6. Middle drawer parts	

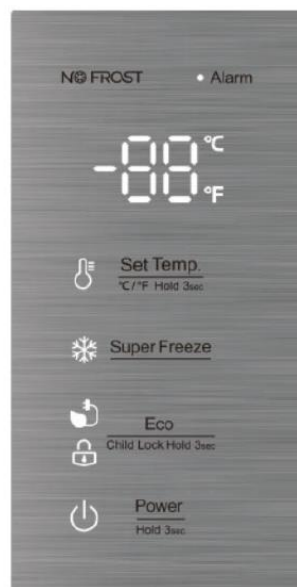
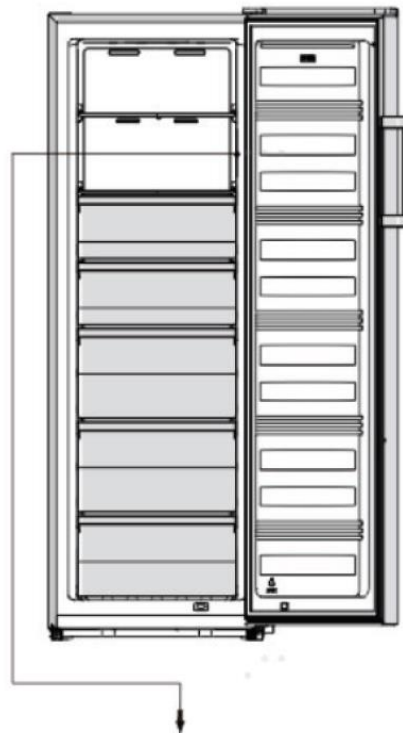
Due to unceasing modification of our products, your freezer may be slightly different from this instruction manual, but its functions and using methods remain the same.

To get the best energy efficiency of this product, please place all shelves, drawers and baskets on their original position as the illustration above.

VI. DISPLAY CONTROLS

Use your appliance according to the following control regulations, your appliance has the corresponding functions and modes as the control panels showed in the pictures below. When the appliance is powered on for the first time, the backlighting of the icons on display panel starts working. If no buttons have been pressed and the doors are closed, the backlighting will turn off.

Display panel inside



Controlling the temperature

For optimum food preservation, we recommend that when you start your freezer for the first time, the temperature for the freezer is set to -18°C (0°F), if you want to change the temperature, follow the instructions below.

Caution!

When you set temperature, you set an average temperature for the whole freezer cabinet. Temperature inside each compartment may vary from the temperature values displayed on the panel, depending on how much food you store and where you place them. Ambient temperature may also affect the actual temperature inside the appliance.

Note: High temperature setting will accelerate food waste.


Temperature

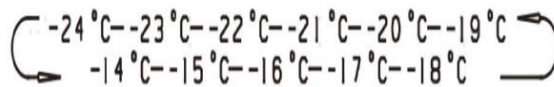
In the unlocked state, you can switch the display mode from $^{\circ}\text{C}$ to $^{\circ}\text{F}$ by press the




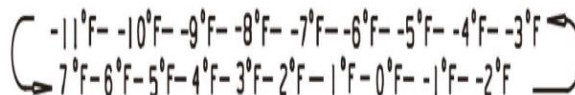
button for 3 seconds. In the unlocked state, press



the  light is on, the freezer set temperature is cyclically adjusted between -14°C and -24°C .

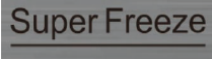


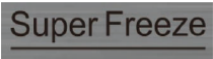
When the  light is on, the freezer set temperature is cyclically adjusted between 7°F and -11°F .



Super freeze

Super Freeze will quickly lower the temperature within the freezer so food will freeze faster. This feature also helps to keep the vitamins and nutrition of fresh food for longer period.

- In the unlocked state, press  button to enter the Super Freeze mode, the Super Freeze icon is lit and the temperature is set to -24°C (-11°F).
- To freeze fresh food activate the Super Freeze function at least 24 hours before placing the food to complete prefreezing.
- Super Freeze mode automatically exits after about 52 hours.
- When Super Freeze function is on, in the unlocked state, you can switch it off by

pressing 

button and the freezer temperature setting will revert back to the previous setting.


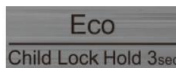




Eco

If you are going to be away for a long period of time, you can turn it to Eco mode to save on electricity.

- In the unlocked state, press Eco button to enter the Eco mode, the Eco icon is lit and the temperature is set to -17°C (1°F).
- When the Eco function is on, in the unlocked state, you can switch it off by pressing Eco button. The freezer temperature setting will revert back to the previous setting.

Child lock


- When the  light is on, the freezer is locked. Press and hold the  button for 3 seconds, the  light is off, the freezer is in the unlocked state. It can perform other button operation.
- If no button have been press for 20 seconds, the  light will be on.

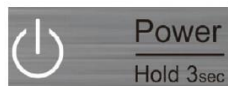
Alarm

• Alarm

In case of alarm,  icon will be flashing and there will be buzzing sound.


Door alarm

- When the door is open for over 2 minutes, the door alarm will sound, meanwhile the display panel show "dr". In case of door alarm, buzzer will sound 3 times every 1 min.
- After the door alarm time exceeds more than 10 minutes, the buzzer stops beeping, the  icon is off, and the display screen shows normal. The door alarm can also be cleared by closing the door.
- To save energy, please avoid keeping the door open for a long time when using the appliance.




Power

Pressing and hold the Power button for 3 seconds to turn the power function on or off.

- When the freezer is working, In the unlocked state, you can switch the appliance off by pressing Power button for 3 seconds, the  light is on, meanwhile the display panel show"- -".

Important! Do not store any food in the freezer during this time.

- When the freezer is in standby mode and unlocked, press the Power button for 3 seconds, the  light is off, the freezer will turn on and the display will shows normal.

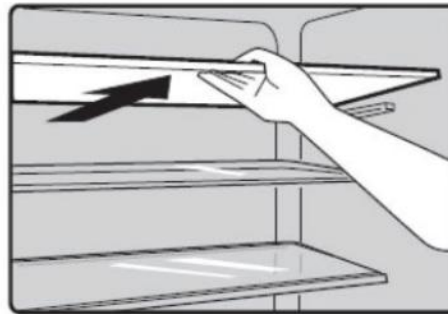
Note: The display control only can be setted in the unlocked state.

VII. USING YOUR APPLIANCE

Your appliance has the accessories as the "Description of the appliance" showed in general, with this part instruction you can have the right way to use them. We recommend that you read through them carefully before using the appliance.

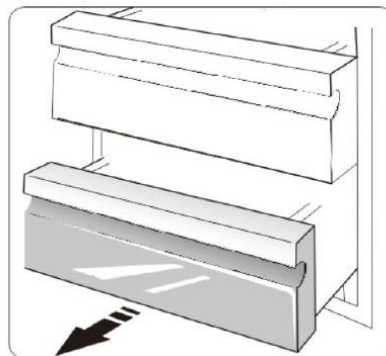
Shelf in refrigerator chamber

There are shelves in freezer chamber, and they can be taken out to be cleaned.



Freezer drawer

It is used to store food which needs to be frozen, including meat, fish, ice cream, etc.



VIII. CLEANING AND CARE

For hygienic reasons the appliance (including exterior and interior accessories) should be cleaned regularly (at least every two months).

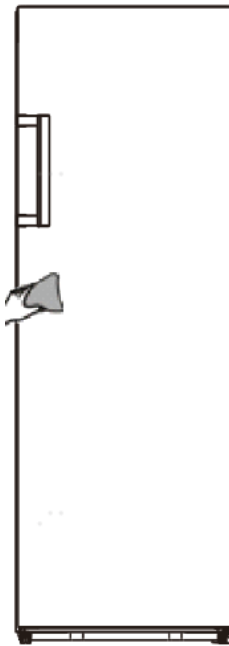
Warning!

The appliance must not be connected to the mains during cleaning as there is a danger of electrical shock! Before cleaning switch the appliance off and remove the plug from the mains socket.

Exterior cleaning

Wipe the control panel with a clean, soft cloth.

- Spray water onto the cleaning cloth instead of spraying directly on the surface of the appliance. This helps ensure an even distribution of moisture to the surface.
- Clean the doors, handles and cabinet surfaces with a mild detergent and then wiped dry with a soft cloth.

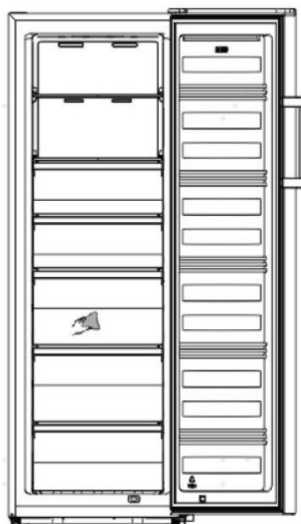


Caution!

- Don't use sharp objects as they are likely to scratch the surface.
- Don't use Thinner, Car detergent, Clorox, ethereal oil, abrasive cleansers or organic solvent such as Benzene for cleaning. They may damage the surface of the appliance and may cause fire.

Interior cleaning

You should clean the appliance interior regularly. It will be easier to clean when food stocks are low. Wipe the inside of the freezer with a weak solution of bicarbonate of soda, and then rinse with warm water using a wrung-out sponge or cloth. Wipe completely dry before replacing the shelves and baskets. Thoroughly dry all surfaces and removable parts before putting them back into place.



Caution!

Do not use sharp objects to remove frost from the freezer compartment. Only after the interior is completely dry should the appliance be switched back on and plugged back into the mains socket.

Door seals cleaning

Take care to keep door seals clean. Sticky food and drinks can cause seals to stick to the cabinet and tear when you open the door. Wash seal with a mild detergent and warm water. Rinse and dry it thoroughly after cleaning.

Caution!

Only after the door seals are completely dry should the appliance be powered on.

Replacing the LED light

This product contains a light source of energy efficiency class F.

Warning: The LED light should be replaced by a competent person. If the LED light is damaged, contact the customer helpline for assistance. To replace the LED light, the below steps can be followed:

1. Unplug your appliance.
2. Remove light cover by pushing up and out.
3. Detach the LED and pull it while pressing the connector latch.
4. Replace LED light and snap it correctly in place.

Defrosting

The freezer is made based on the air-cooling principle and thus has automatic defrosting function.

IX. HELPFUL HINTS AND TIPS

Energy saving tips

We recommend that you follow the tips below to save energy.

- Try to avoid keeping the door open for long periods in order to conserve energy.
- Ensure the appliance is away from any sources of heat (Direct sunlight, electric oven or cooker etc).
- Don't set the temperature colder than necessary.
- Don't store warm food or evaporating liquid in the appliance.
- Place the appliance in a well ventilated, humidity free, room. Please refer to Installing your new appliance chapter.
- If the diagram shows the correct combination for the drawers, crisper and shelves, do not adjust the combination as this is designed to be the most energy efficient configuration.

Hints for freezing

- When first starting-up or after a period out of use, let the appliance run at least 2 hours on the higher settings before putting food in the compartment.
- Prepare food in small portions to enable it to be rapidly and completely frozen and to make it possible to subsequently thaw only the quantity required.
- Wrap up the food in aluminum foil or polyethylene wraps which are airtight.
- Do not allow fresh, unfrozen food to touch the food which is already frozen to avoid temperature rise of the latter.
- Iced products, if consumed immediately after removal from the freezer compartment, will probably cause frost burns to the skin.
- It is recommended to label and date each frozen package in order to keep track of the storage time.

Hints for the storage of frozen food

- Ensure that frozen food has been stored correctly by the food retailer.
- Once defrosted, food will deteriorate rapidly and should not be re-frozen. Do not exceed the storage period indicated by the food manufacturer.

To avoid contamination of food, please respect the following instructions:

- Opening the door for long periods can cause a significant increase of the temperature in the compartments of the appliance.
- Clean regularly surfaces that can come in contact with food and accessible drainage systems.
- Store raw meat and fish in suitable containers in the refrigerator, so that it is not in contact with or drip onto other food.
- Two-star frozen-food compartments are suitable for storing pre-frozen food, storing or making icecream and making ice cubes.
- One-, two- and three- star compartments are not suitable for the freezing of fresh food.

Order	Compartments TYPE	Target storage temp. [°C]	Appropriate food
1	Fridge	+2≤+6	Eggs, cooked food, packaged food, fruits and vegetables, dairy products, cakes, drinks and other foods are not suitable for freezing.
2	(***)*-Freezer	≤-18	Seafood (fish, shrimp, shellfish), freshwater aquatic products and meat products (recommended for 3 months, the longer the storage time, the worse the taste and nutrition), suitable for frozen fresh food.
3	***-Freezer	≤-18	Seafood (fish, shrimp, shellfish), freshwater aquatic products and meat products (recommended for 3 months, the longer the storage time, the worse the taste and nutrition), are not suitable for frozen fresh food.
4	** -Freezer	≤-12	Seafood (fish, shrimp, shellfish), freshwater aquatic products and meat products (recommended for 2 months, the longer the storage time, the worse the taste and nutrition), are not suitable for frozen fresh food.
5	*-Freezer	≤-6	Seafood (fish, shrimp, shellfish), freshwater aquatic products and meat products (recommended for 1 months, the longer the storage time, the worse the taste and nutrition), are not suitable for frozen fresh food.
6	0-star	-6≤0	Fresh pork, beef, fish, chicken, some packaged processed foods, etc. (Recommended to eat within the same day, preferably no more than 3 days). Partially encapsulated processed foods (non-freezable foods)
7	Chill	-2≤+3	Fresh/frozen pork, beef, chicken, freshwater aquatic products, etc. (7 days below 0 °C and above 0 °C is recommended for consumption within that day, preferably no more than 2 days). Seafood (less than 0 for 15 days, it is not recommended to store above 0 °C).
8	Fresh Food	0≤+4	Fresh pork, beef, fish, chicken, cooked food, etc. (Recommended to eat within the same day, preferably no more than 3 days).
9	Wine	+5≤+20	Red wine, white wine, sparkling wine, etc.

Note: please store different foods according to the compartments or target storage temperature of your purchased products.

- If the refrigerating appliance is left empty for long periods, switch off, defrost, clean, dry, and leave the door open to prevent mould developing within the appliance.

Warning! Food needs to be packed in bags before putting into the refrigerator, and liquids need to be packed in bottles or capped containers to avoid the problem that the product design structure is not easy to clean.










Switching off your appliance

If the appliance needs to be switched off for an extended period, the following steps should be taken prevent mould on the appliance.

1. Remove all food.
2. Remove the power plug from the mains socket.
3. Clean and dry the interior thoroughly.
4. Ensure that all the doors are wedged open slightly to allow air to circulate.

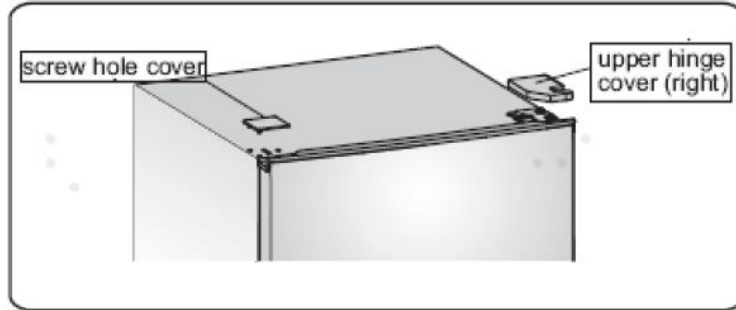
X. REVERSING THE DOOR

The side in which the door opens can be changed from the right side (as supplied) to the left side, if the installation site allows for it. Tools you will need:

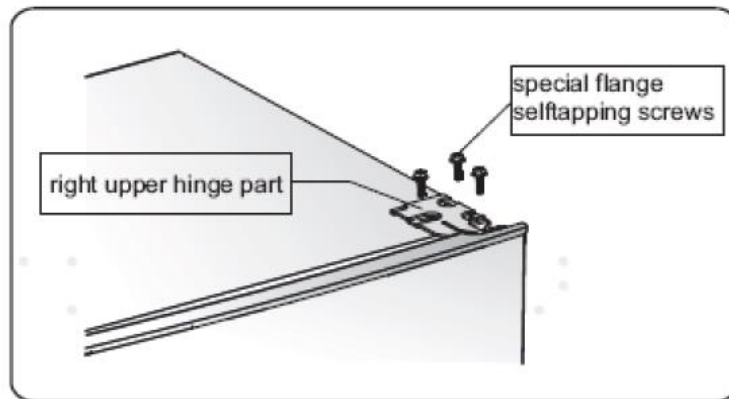
Not provided		
		
8mm socket wrench	Thin-blade screwdriver	Putty knife
		
Cross-shaped screwdriver	Monkey wrench	7mm wrench
Additional parts(in the plastic bag)		
		Left Hinge
		Left Hinge Cover
		Right Screw Cover

Note: Before you start lay the freezer on it's back in order to gain access to the base, you should rest it on soft foam packaging or similar material to avoid damaging the backboard of the freezer. To reverse the door. The following steps are generally recommended.

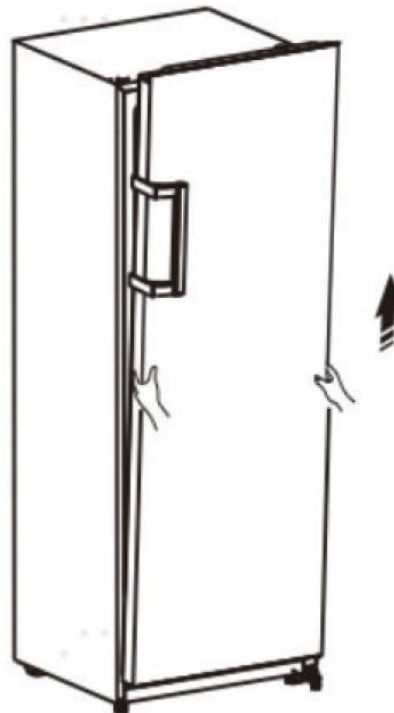
1. Stand the freezer upright. Remove the screw hole cover and upper hinge cover (right) as follow diagram.



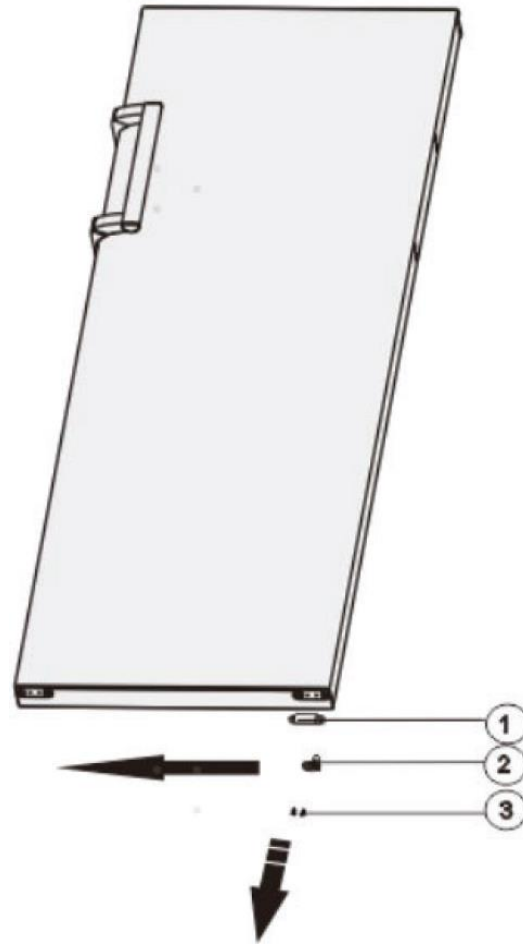
2. Remove the three screws as follow diagram. Lift the right upper hinge part.



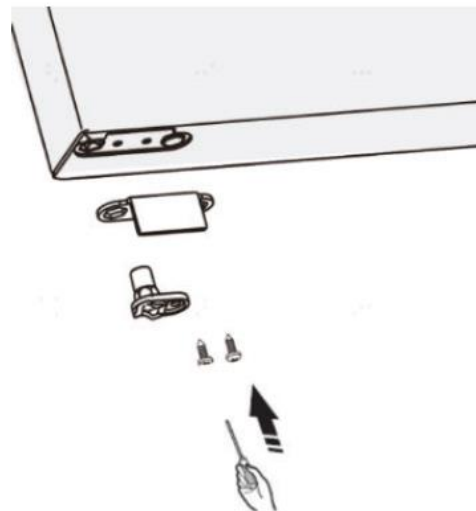
3. Lift the door and place it on a padded surface to prevent scratching.



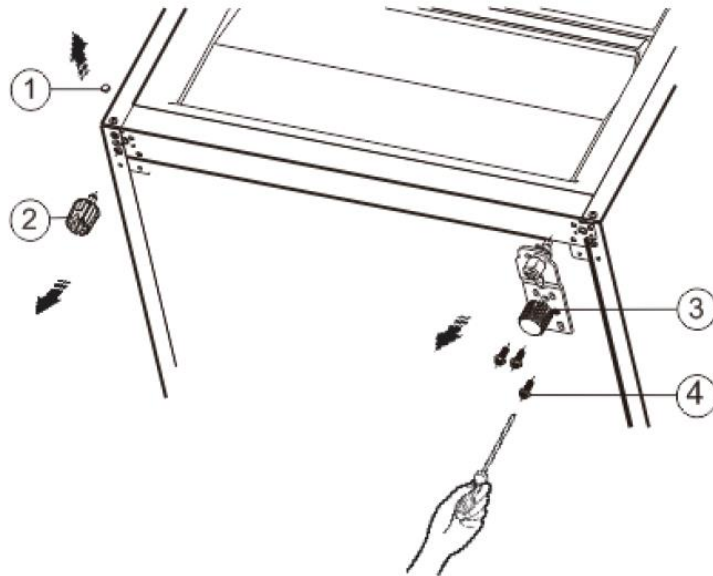
4. Loose screws 3, remove part 1 and part 2, then replace them to the left side and tighten securely with screws 3.



- 1 – Door stopper
- 2 – Limit block
- 3 – Self-tapping screw



5. Lay the freezer on soft foam packaging or similar material. Remove part 1, part 2 and part 3 by unscrewing the screws 4.



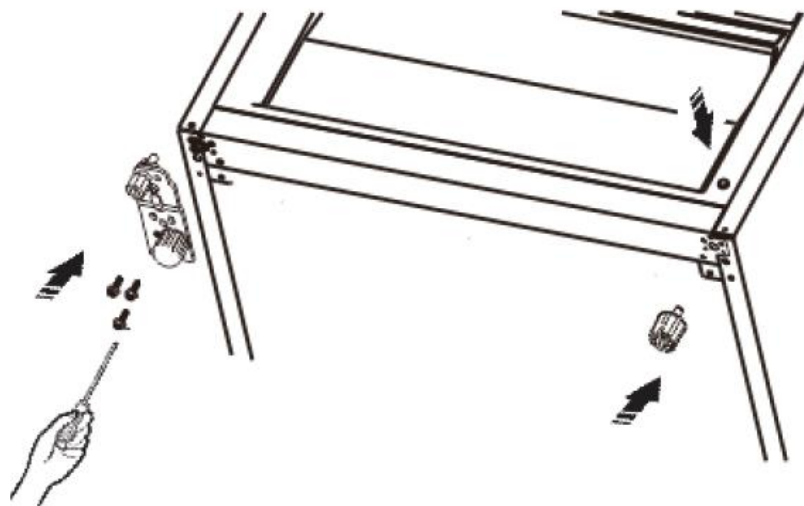
1 – Screw cover

2 – Adjustable bottom feet part

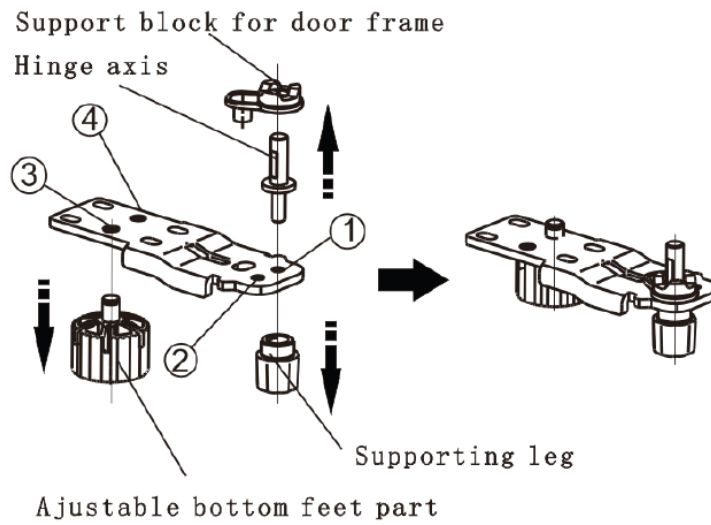
3 – Right lower hinge part

4 – Special flange self-tapping screw

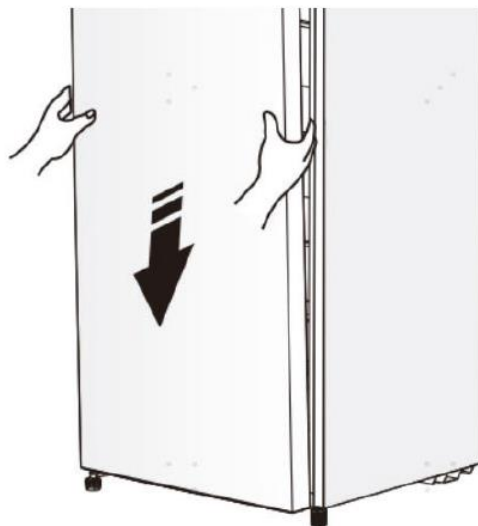
6. Replace part 3 to the left side and fixing it with the screws 4. Replace part 1 and part 2 to another side and fixing it.



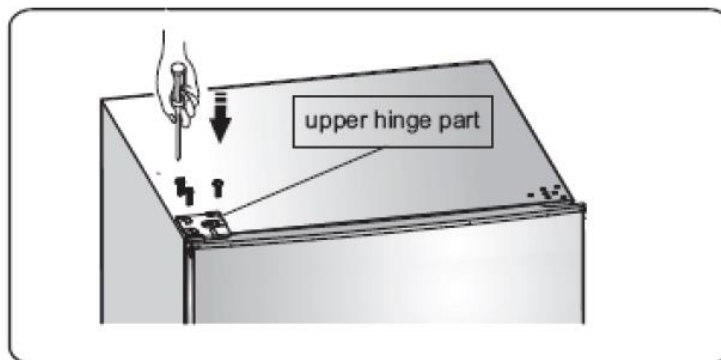
Note: You need move hinge axis from hole 1 to 2, move adjustable bottom feet part from hole 3 to 4 before transfer.



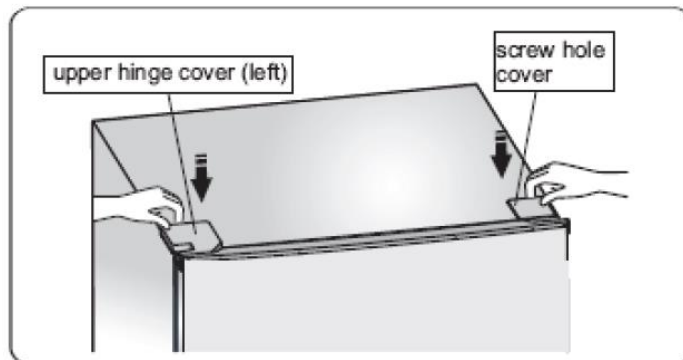
7. Set the door into its new place making sure the pin enters the bushing at the lower frame section.



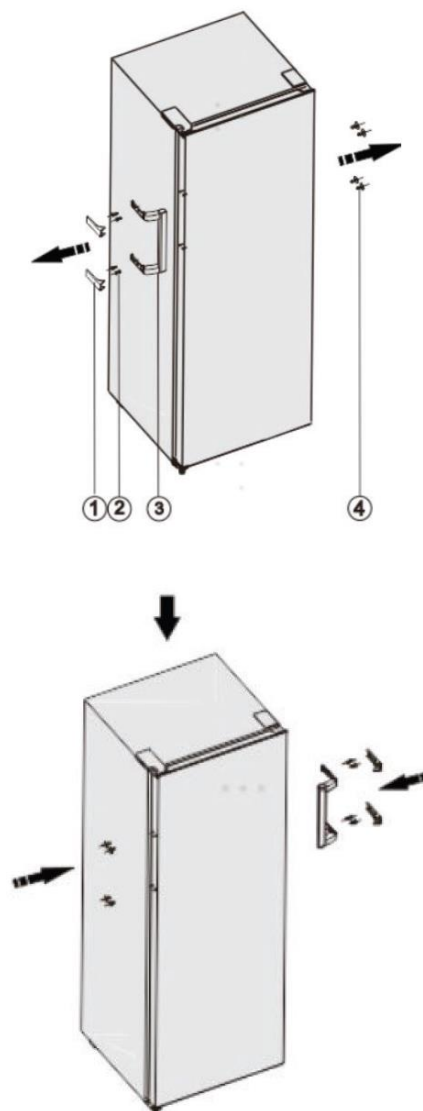
8. Replace the lid by fitting the upper hinge core into the upper door's hole, securing it with the 3 screws.



9. Put the screw hole cover and upper hinge cover (left) as follow diagram.

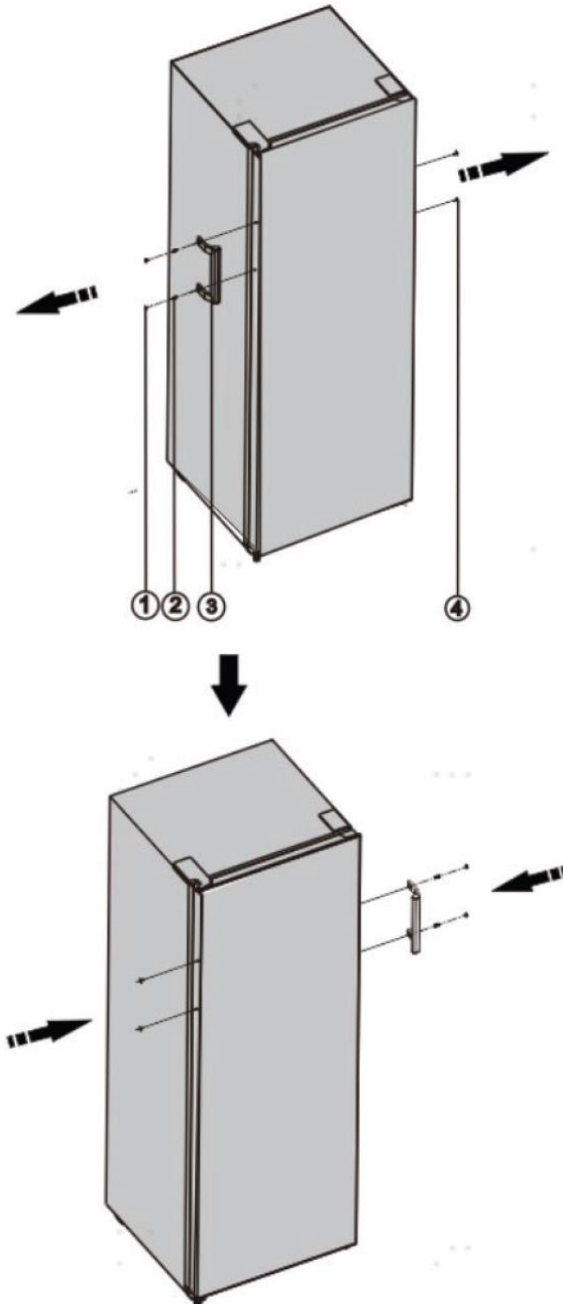


10. Switch the handles from the left to the right (only for the model with handles).



- 1 – Handle cover
- 2 – Screw
- 3 – Handle part
- 4 – Cover-screw cap

Note: Due to unceasing modification of our products, handle may be slightly different from this instruction manual, but its functions and using methods remain the same. Switch the handles from the left to the right as follow diagram.



- 1 - Screw cover
- 2 – Screw
- 3 – Handle part
- 4 - Cover-screw cap

Warning!

When changing the side at which the door opens, the appliance must not be connected to the mains. Remove plug from the mains beforehand.

XI. TROUBLESHOOTING

If you experience a problem with your appliance or are concerned that the appliance is not functioning correctly, you can carry out some easy checks before calling for service, please see below.

Warning! Don't try to repair the appliance yourself. If the problem persists after you have made the checks mentioned below, contact a qualified electrician, authorized service engineer or the shop where you purchased the product.

Problem	Possible cause & solution
Appliance is not working correctly	Check whether the power cord is plugged into the power outlet properly.
	Check the fuse or circuit of your power supply, replace if necessary.
	It is normal that the freezer is not operating during the defrost cycle, or for a short time after the appliance is switched on to protect the compressor.
Odours from the compartments	The interior may need to be cleaned
	Some food, containers or wrapping cause odours.
Noise from the appliance	The sounds below are quite normal:
	- Compressor running noises.
	- Air movement noise from the small fan motor in the freezer compartment or other compartments.
	- Gurgling sound similar to water boiling.
	- Popping noise during automatic defrosting.
	- Clicking noise before the compressor starts.
	Other unusual noises are due to the reasons below and may need you to check and take action:
	- The cabinet is not level.
	- The back of appliance touches the wall.
	- Bottles or containers fallen or rolling.
The motor runs continuously	It is normal to frequently hear the sound of the motor, it will need to run more when in following circumstances:
	- Temperature setting is set colder than necessary
	- Large quantity of warm food has recently been stored within the appliance.
	- The temperature outside the appliance is too high.
	- Doors are kept open too long or too often.
	- After your installing the appliance or it has been switched off for a long time.

A layer of frost occurs in the compartment	Check that the air outlets are not blocked by food and ensure food is placed within the appliance to allow sufficient ventilation. Ensure that the door is fully closed. To remove the frost, please refer to the "Cleaning and care" chapter.
Temperature inside is too warm	You may have left the doors open too long or too frequently; or the doors are kept open by some obstacle; or the appliance is located with insufficient clearance at the sides, back and top
Temperature inside is too cold	Increase the temperature by following the "control panel" chapter.
Doors can't be closed easily	Check whether the top of the refrigerator is tilted back by 10-15mm to allow the doors to self close, or if something inside is preventing the doors from closing.

XII. DISPOSAL OF THE APPLIANCE

It is prohibited to dispose of this appliance as household waste.

Packaging materials

Packaging materials with the recycle symbol are recyclable. Dispose of the packaging into a suitable waste collection container to recycle it.

Before disposal of the appliance

1. Pull out the mains plug from the mains socket.
2. Cut off the power cord and discard with the mains plug

Warning! Refrigerators contain refrigerant and gases in the insulation. Refrigerant and gases must be disposed of professionally as they may cause eye injuries or ignition.

CUSTOMER CARE AND SERVICE

Always use original spare parts.

When contacting our Authorised Service Centre, ensure that you have the following data available: Model and Serial Number.

The information can be found on the rating plate. Subject to change without notice.

TECHNICAL DATA

The technical information is situated in the rating plate on the internal side of the appliance and on the energy label.

The QR code on the energy label supplied with the appliance provides a web link to the information related to the performance of the appliance in the EU EPREL database.

Keep the energy label for reference together with the user manual and all other documents provided with this appliance.

It is also possible to find the same information in EPREL using the link <https://eprel.ec.europa.eu> and the model name and product number that you find on the rating plate of the appliance.

To access information about your product in the EPREL portal, you can scan the codes below:

HFF-N240NFF+



HFF-N240NFXF+



Thank you for purchasing this product. If you need support with your product, visit our website using the links below.

Get User manuals: <https://www.heinner.ro>

Get Service information: <https://www.heinner.ro>



Environment friendly disposal

You can help protect the environment!

Please remember to respect the local regulations: hand in the non-working electrical equipment's to an appropriate waste disposal center.



HEINNER is a registered trademark of **Network One Distribution SRL**. Other brands and product names are trademarks or registered trademarks of their respective holders.

No part of the specifications may be reproduced in any form or by any means or used to make any derivative such as translation, transformation, or adaptation without permission from NETWORK ONE DISTRIBUTION.

Copyright © 2013 Network One Distribution. All rights reserved.

www.heinner.com, <http://www.nod.ro>

<http://www.heinner.com>, <http://www.nod.ro>



This product is in conformity with norms and standards of European Community.

Importer: **Network One Distribution**

Marcel Iancu, 3-5, Bucharest, Romania

Tel: +40 21 211 18 56, www.heinner.com, www.nod.ro

HEINNER

CONGELATOR

Model:

HFF-N240NFF+/HFF-N240NFXF+



- Congelator
- Clasa de eficiență energetică: F
- Capacitate totală: 240 L

Vă mulțumim pentru alegerea acestui produs!

I. INTRODUCERE

Vă rugăm să citiți instrucțiunile cu atenție și să păstrați manualul pentru consultări ulterioare.

Acest manual are scopul de a vă oferi toate instrucțiunile necesare cu privire la instalarea, utilizarea și întreținerea aparatului. Pentru utilizarea corectă și în siguranță a aparatului, vă rugăm să citiți cu atenție acest manual de instrucțiuni înainte de instalare și utilizare.

II. CONȚINUTUL PACHETULUI DUMNEAVOASTRĂ



- **Congelator**
- **Manual de utilizare**
- **Certificat de garanție**

III. INFORMAȚII PRIVIND SIGURANȚA

Pentru siguranța dumneavoastră și o utilizare corectă, înainte de a instala și a folosi aparatul pentru prima dată, citiți cu atenție acest manual de instrucțiuni, inclusiv sugestiile și avertismentele. Pentru a evita erorile și accidentele, este important să vă asigurați că toate persoanele care utilizează aparatul sunt familiarizate cu modul de funcționare și cu măsurile de siguranță. Păstrați aceste instrucțiuni și asigurați-vă că vor rămâne împreună cu aparatul dacă acesta este mutat sau vândut, astfel încât orice persoană care îl folosește pe durata de exploatare a acestuia să fie bine informată în legătură cu utilizarea sa și cu măsurile de siguranță.

Pentru garantarea siguranței persoanelor și a bunurilor, respectați măsurile de precauție specificate în cadrul prezentului manual de instrucțiuni, deoarece producătorul nu este răspunzător pentru daunele cauzate prin omisiune.

Conform standardului EN:

Aparatul poate fi utilizat de către copii cu vârste începând de la 8 ani și de către persoane cu capacități fizice, senzoriale sau mentale reduse, cu lipsă de experiență sau cunoștințe, numai dacă acestea sunt supravegheate sau instruite în ceea ce privește utilizarea în siguranță a aparatului și dacă înțeleg pericolele pe care le implică utilizarea. Copiii nu au voie să se joace cu aparatul. Curățarea și întreținerea nu trebuie efectuate de către copii nesupravegheați.

Conform standardului IEC:

Aparatul nu este destinat utilizării de către persoane (inclusiv copii) care au capacități fizice, senzoriale sau mentale reduse, sau cărora le lipsesc experiența și cunoștințele necesare, decât dacă sunt supravegheate sau au fost instruite cu privire la utilizarea aparatului de către o persoană care răspunde pentru siguranța acestora.

- Copiii trebuie supravegheați, astfel încât aceștia să nu se joace cu aparatul.
- Nu lăsați ambalajele la îndemâna copiilor. Pericol de asfixiere.
- Pentru a evita situațiile în care copiii se pot electrocuta sau închide în interiorul aparatului, înainte de a-l arunca, scoateți ștecărul din priză, tăiați cablul de alimentare (cât mai aproape de aparat posibil) și demontați ușa aparatului.
- Dacă acest aparat (care este prevăzut cu un sistem de închidere magnetic) înlocuiește un aparat mai vechi, prevăzut cu închizătoare cu arc (zăvor) pe ușă sau pe capac, înainte de a arunca aparatul vechi, asigurați-vă că închizătoarea cu arc nu mai poate fi folosită. Astfel, copiii nu vor putea rămâne blocați înăuntru.

Măsuri generale de siguranță

AVERTISMENT - Acest aparat este destinat utilizării în locuințe și alte unități similare:

- bucătăriile personalului din magazine, birouri și alte medii de lucru;
- în gospodării și de către clienții din hoteluri, moteluri și alte medii de tip rezidențial;
- medii de tip pensiune cu mic dejun;
- activități de tip catering și non-retail.

AVERTISMENT - Nu depozitați în acest aparat produse explozive precum spray-urile cu aerosoli inflamabili.

AVERTISMENT - Pentru evitarea pericolelor, în cazul în care cablul de alimentare este deteriorat, acesta trebuie înlocuit de către producător, de către agentul său de service sau de persoane cu o calificare similară.

AVERTISMENT - Asigurați-vă că orificiile de ventilație ale carcasei aparatului sau ale corpului acestuia nu sunt obturate.

AVERTISMENT - Utilizați numai dispozitive mecanice sau mijloace de grăbire a procesului de dezghețare recomandate de către producător.

AVERTISMENT - Nu deteriorați circuitul de refrigerare.

AVERTISMENT - Nu folosiți aparate electrice în interiorul compartimentelor de depozitare a alimentelor din acest aparat, decât dacă acestea sunt de tipul celor recomandate de către producător.

AVERTISMENT - Agentul frigorific și gazul izolant sunt inflamabile. Dacă doriți să aruncați aparatul, apălați la un centru autorizat de eliminare a deșeurilor. Nu expuneți aparatul la foc.

AVERTISMENT - Atunci când poziționați aparatul, asigurați-vă că nu striviți și nu deteriorați cablul de alimentare.

AVERTISMENT - Nu amplasați în spatele aparatului prize multiple sau surse de alimentare portabile.

Înlocuirea becurilor

AVERTISMENT - Becurile nu trebuie înlocuite de către utilizator! Dacă becurile se defectează, apălați la asistență specializată. Acest avertisment este valabil numai pentru frigiderule prevăzute cu lămpi de iluminare.

Agentul frigorific

Circuitul de refrigerare al aparatului conține agent frigorific R600a (izobutan), un gaz natural cu un nivel ridicat de compatibilitate cu mediul înconjurător, dar inflamabil. În timpul transportului și al montării aparatului, asigurați-vă că niciuna dintre componentele circuitului de refrigerare nu este deteriorată.

Agentul frigorific (R600a) este inflamabil.

AVERTISMENT - Frigiderele conțin agent frigorific și gaze izolante. Agentul frigorific și gazele trebuie să fie eliminate în mod corespunzător, deoarece acestea pot provoca leziuni oculare sau se pot aprinde. Înainte de eliminare, asigurați-vă că tubulatura circuitului de refrigerare nu este deteriorată.

Repararea acestui aparat este periculoasă pentru orice altă persoană în afara unei persoane autorizate.



Avertisment: Pericol de incendiu!

În cazul în care circuitul de refrigerare este deteriorat:

- Evitați utilizarea focului deschis și sursele de aprindere a focului.
- Aerisiți bine camera în care se află aparatul.

Modificarea în orice fel a specificațiilor sau a produsului este periculoasă. Orice deteriorare a cablului de alimentare poate genera pericol de scurtcircuitare, incendiu și/sau electrocutare.

Siguranța electrică

1. Nu prelungiți cablul de alimentare.
2. Asigurați-vă că ștecărul nu a fost strivit sau deteriorat. În cazul în care cablul de alimentare este strivit sau deteriorat, acesta se poate supraîncălzi și poate provoca un incendiu.

3. Asigurați-vă că aveți acces la ștecărul aparatului.
4. Nu trageți de cablul de alimentare.
5. Dacă priza în care trebuie introdus ștecărul este desprinsă, nu introduceți ștecărul în ea. Există riscul de electrocutare și de incendiu.
6. Nu utilizați aparatul fără capacul lămpii de iluminare din interior.
7. Aparatul nu poate fi alimentat decât de la un circuit electric de curent alternativ monofazat, de 220~240V/50Hz. Dacă variațiile de tensiune din zona în care locuieste utilizatorul nu se încadrează în limitele domeniului de tensiune de mai sus, pentru siguranță, utilizați un regulator de tensiune automat AC cu o putere mai mare de 350 W. Aparatul trebuie alimentat de la o priză separată, nu de la o priză la care sunt conectate și alte aparate electrice. Ștecărul trebuie să fie compatibil cu priza cu împământare.

Utilizare cotidiană

- Nu depozitați gaze sau lichide inflamabile în aparat. Există riscul producerii unei explozii.
- Nu utilizați dispozitive electrice în interiorul aparatului (ex.: aparate electrice de făcut înghețată, mixere etc.).
- Atunci când deconectați aparatul de la sursa de alimentare, scoateți ștecărul din priză fără a trage de cablu.
- Nu așezați obiecte fierbinți lângă componentele din plastic ale aparatului.
- Nu așezați alimente imediat lângă orificiul de evacuare a aerului situat pe peretele posterior din interiorul aparatului.
- Depozitați alimentele congelate preambalate în conformitate cu instrucțiunile producătorului alimentelor congelate.
- Respectați cu strictețe recomandările producătorului acestui aparat privind depozitarea. Consultați instrucțiunile referitoare la depozitare.
- Nu depozitați băuturi carbogazoase sau acidulate în compartimentul de congelare, deoarece se creează presiune asupra recipientelor, acestea putând exploda, având drept rezultat deteriorarea aparatului.
- Alimentele înghețate pot cauza degerături dacă sunt consumate direct din congelator.
- Nu expuneți aparatul la lumina directă a soarelui.
- Țineți lămpile, lumânările aprinse și alte obiecte cu flacără deschisă cât mai departe de aparat, astfel încât acesta să nu ia foc.
- Aparatul este destinat depozitării alimentelor și/sau băuturilor într-o gospodărie obișnuită, așa cum a este specificat în prezentul manual de instrucțiuni. Acționați cu prudență atunci când deplasați aparatul, deoarece acesta este greu.
- Nu scoateți și nu atingeți obiecte din congelator dacă aveți mâinile umede/ude, deoarece vă puteți provoca leziuni ale pielii sau degerături.
- Nu folosiți niciodată baza, sertarele, ușile etc. pentru a vă urca pe ele sau ca suporturi.
- Nu congelați din nou alimentele care s-au dezghețat.

- Nu consumați înghețată sau cuburi de gheață direct din congelator, deoarece acestea pot provoca leziuni ale gurii și buzelor.
- Pentru a evita căderea obiectelor și provocarea vătămarilor corporale sau a deteriorării aparatului, nu supraîncărcați rafturile de pe ușă și nu puneți prea multe alimente în sertarul pentru legume și fructe.
- Acest aparat frigorific nu este destinat utilizării ca aparat încorporat.
- Copiilor cu vârste începând de la 3 ani le este permis să introducă și să scoată alimente din aparatele frigorifice.

Curățare și întreținere

- Înainte de efectuarea operațiilor de întreținere, opriți aparatul și scoateți ștecărul din priză.
- Nu curățați aparatul cu obiecte din metal, aparate de curățat cu aburi, uleiuri eterice, solvenți organici sau substanțe abrazive.
- Pentru a îndepărta gheața din aparat, utilizați o racletă de plastic, nu un obiect ascuțit.

Instalare

- Pentru conectarea aparatului la sursa de alimentare cu energie electrică, urmați cu atenție instrucțiunile din cadrul prezentului manual. Despachetați aparatul și verificați dacă este deteriorat.
- Dacă aparatul prezintă deteriorări, nu îl conectați la sursa de alimentare. Dacă aparatul este deteriorat, comunicați imediat acest lucru distribuitorului de la care l-ați cumpărat. În acest caz, păstrați ambalajul.
- Vă recomandăm să așteptați cel puțin patru ore înainte de a conecta aparatul la sursa de alimentare, pentru ca uleiul să aibă timp să revină în compresor.
- Aerul trebuie să poată circula liber în jurul aparatului. În lipsa circulației aerului, aparatul se poate supraîncălzi. Pentru a obține o ventilație adecvată, respectați instrucțiunile referitoare la montare.
- Partea din spate a produsului nu trebuie să fie prea aproape de perete, pentru a evita atingerea sau prinderea componentelor calde (compresor). Pentru prevenirea riscului de producere a unui incendiu, urmați instrucțiunile cu privire la instalare.
- Nu amplasați aparatul în apropierea radiatoarelor sau a aragazelor.
- Asigurați-vă că aveți acces la ștecăr după montarea aparatului.

Reparații

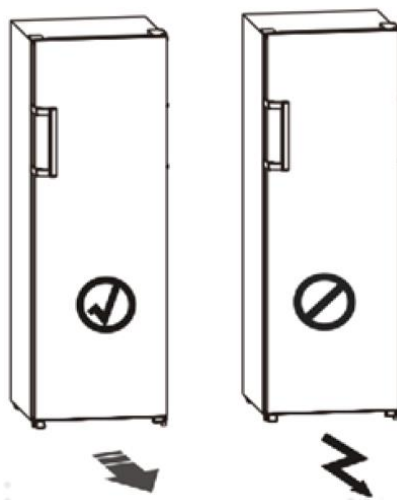
- Lucrările electrice necesare în vederea reparării aparatului trebuie efectuate de către un electrician calificat sau de către personal specializat.
 - Produsul trebuie reparat de către un centru de service autorizat, folosindu-se numai piese de schimb originale.
- 1) Dacă aparatul este prevăzut cu un sistem Frost Free.
 - 2) Dacă aparatul este prevăzut cu un compartiment de congelare.

IV. INSTALAREA APARATULUI

Înainte de a utiliza aparatul pentru prima dată, vă rugăm să citiți recomandările de mai jos.

Avertisment!

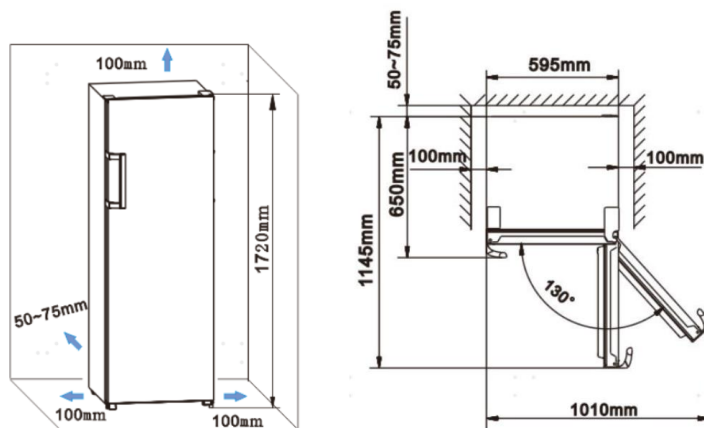
Pentru o instalare corespunzătoare, acest aparat trebuie să fie așezat pe o suprafață orizontală și dură, situată la același nivel cu restul pardoselii. Rezistența acestor suprafețe trebuie să permită susținerea unui aparat încărcat complet. Aparatul este prevăzut cu role, nu cu roți. Acestea trebuie utilizate numai pentru deplasare către înainte sau înapoi. Deplasarea în lateral a aparatului poate deteriora podeaua și rolele.



Aerisirea aparatului

Pentru o eficiență ridicată a refrigerării și un consum scăzut de energie electrică, în jurul aparatului trebuie să existe o bună ventilație, în vederea înlesnirii dispersării căldurii. În acest sens, trebuie să lăsați suficient spațiu liber în jurul aparatului.

Recomandare: Vă recomandăm să lăsați o distanță de 50-70 de mm între spatele aparatului și perete, cel puțin 100 de mm în partea superioară, cel puțin 100 de mm în laterale, precum și un spațiu liber în față care să permită deschiderea ușilor la 130°. Consultați ilustrațiile de mai jos:



Observație:

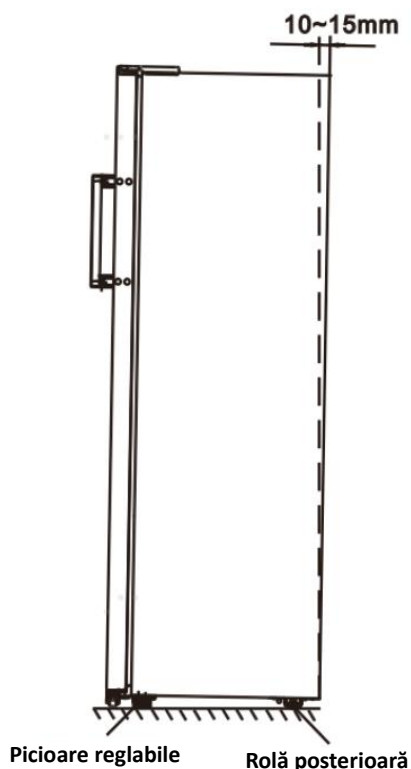
- Acest aparat funcționează corespunzător în clasele de climă de la SN la T specificate în tabelul de mai jos. Dacă aparatul este lăsat pentru o perioadă mai îndelungată la o temperatură superioară sau inferioară limitelor intervalului specificat, este posibil ca acesta să nu mai funcționeze corect.

Clasa de climă	Temperatura ambientală
SN	de la +10°C la +32°C
N	de la +16°C la +32°C
ST	de la +16°C la +38°C
T	de la +16°C la +43°C

- Instalați aparatul într-un loc uscat, ferit de umezeală.
- Nu expuneți aparatul la lumina directă a soarelui, la ploaie sau îngheț. Instalați aparatul departe de surse de căldură precum sobele sau încălzitoarele.

Echilibrarea aparatului

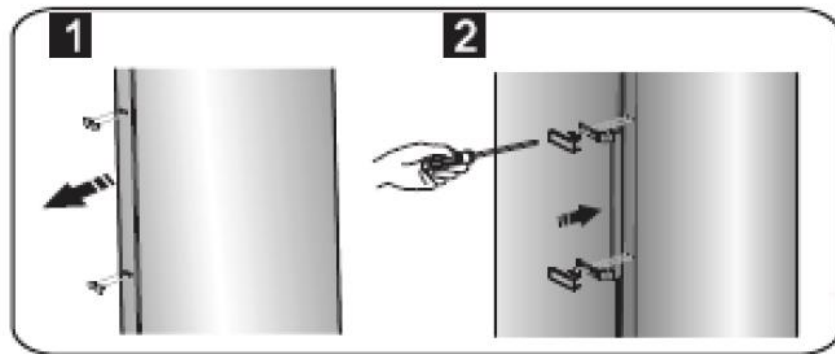
- Pentru asigurarea unei echilibrări eficiente și a unei circulații optime a aerului în partea din spate a aparatului, poate fi necesară reglarea picioarelor aparatului. Reglarea picioarelor poate fi realizată manual sau cu ajutorul unei chei potrivite.
- Pentru ca ușile să se poată închide singure, înclinați aparatul către partea din spate aproximativ 10-15 mm.



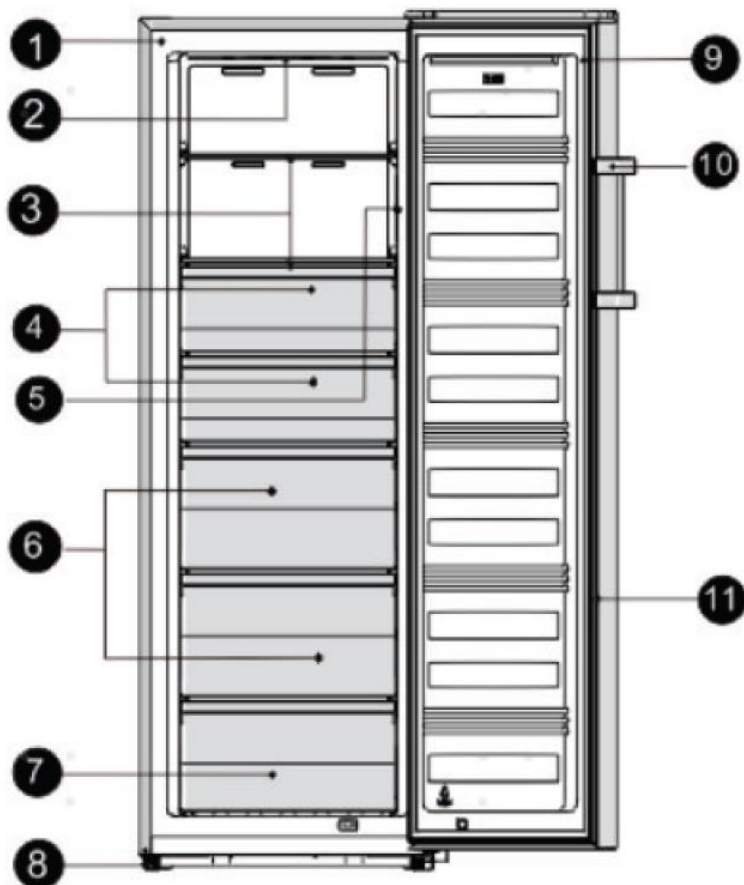
Instalarea mânerelor

Pentru facilitarea transportului, mânerele ușilor sunt furnizate separat, într-o pungă de plastic; puteți instala mânerele după cum urmează:

1. Scoateți capacele de șuruburi de pe partea stângă a ușii, apoi puneți-le în pungă de plastic.
2. Potrivii mânerul pe partea stângă a ușii, aliniind găurile pentru șuruburi de pe mâner cu cele de pe ușă, așa cum este indicat în imagine.
3. Fixați mânerul cu ajutorul șuruburilor speciale furnizate în pungă de plastic.



V. DESCRIEREA APARATULUI



1. Carcasă	7. Sertar inferior
2. Lampă cu LED	8. Picioare reglabile
3. Raft din sticlă	9. Ușă congelator
4. Sertare superioare	10. Mâner
5. Afișaj	11. Garnitură ușă congelator
6. Sertare centrale	

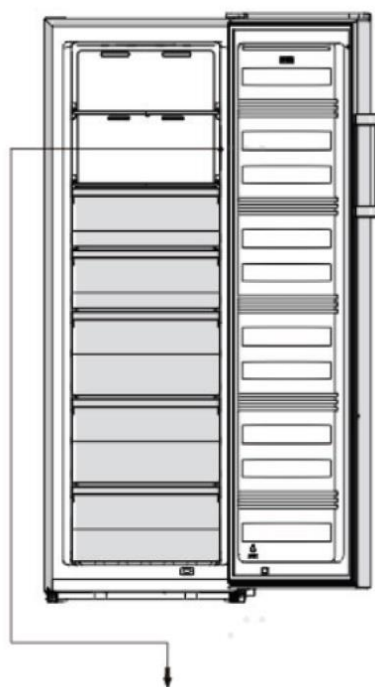
Date fiind modificările continue aduse produselor, aparatul dumneavoastră poate fi puțin diferit de cel descris în acest manual de utilizare, însă funcțiile și modalitatea de utilizare rămân aceleași.

Pentru ca acest produs să fie cât mai eficient, vă rugăm să amplasați rafturile, sertarele și coșurile în pozițiile indicate în ilustrația de mai sus.

VI. PANOUL DE COMANDĂ

Utilizați aparatul cu ajutorul panoului de comandă indicat în imaginile de mai jos, care vă permite să configurați modul de funcționare a aparatului. Atunci când aparatul este pornit pentru prima dată, iluminarea pictogramelor de pe afișaj începe să funcționeze. În cazul în care nu a fost apăsat niciun buton și ușile sunt închise, iluminarea se va opri.

Panoul de comandă interior



Controlul temperaturii

Pentru o conservare optimă a alimentelor, vă recomandăm ca atunci când porniți congelatorul pentru prima dată, temperatura acestuia să fie setată la -18°C (0°F). Dacă doriți să modificați temperatura, urmați instrucțiunile de mai jos.

Atenție!



Când setați temperatura, setați o temperatură medie pentru întregul congelator. Temperaturile din interiorul fiecărui compartiment pot diferi de cele afișate pe panoul de control, în funcție de cantitatea de alimente depozitate și de poziționarea acestora în aparat. De asemenea, temperatura ambiantă poate influența temperatura efectivă din interiorul aparatului.

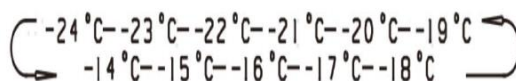
Notă: Setarea unei temperaturi ridicate grăbește procesul de alterare a alimentelor.


Temperatura

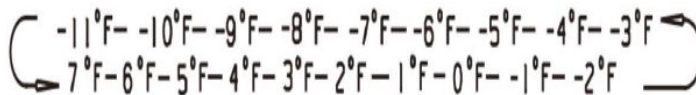
Atunci când panoul de comandă este deblocat, puteți comuta modul de afișare de la $^{\circ}\text{C}$ la $^{\circ}\text{F}$ prin

apăsarea butonului  timp de 3 secunde. Atunci când panoul de comandă este

deblocat, apăsați pe butonul , iar când indicatorul  este aprins, temperatura congelatorului poate fi reglată între -14°C și -24°C .



Atunci când indicatorul  este aprins, temperatura congelatorului poate fi reglată între 7°F și -11°F .



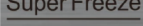
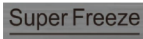
Super freeze

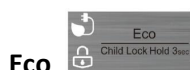


Super Freeze

Funcția „Super Freeze” reduce rapid temperatura din congelator, astfel încât alimentele să poată fi congelate mai rapid.

Această funcție ajută, de asemenea, la păstrarea vitaminelor și substanțelor nutritive din alimentele proaspete pentru o perioadă mai îndelungată.

- Atunci când panoul de comandă este deblocat, apăsați pe butonul  pentru activarea funcției „Super Freeze”. Pictograma „Super Freeze” se aprinde, iar temperatura este setată la -24°C (-11°F).
- Pentru a congela alimente proaspete, activați funcția „Super Freeze” cu cel puțin 24 de ore înainte de a introduce alimentele în congelator.
- Funcția „Super Freeze” este dezactivată automat după aproximativ 52 de ore.
- Atunci când funcția „Super Freeze” este activă și panoul de comandă este deblocat, o puteți dezactiva prin apăsarea butonului , iar temperatura de congelare va reveni la setarea anterioară.


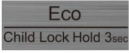




Eco


Dacă urmează să lipsiți pentru o perioadă îndelungată, puteți activa funcția „Eco” pentru a economisi energie electrică.

- Atunci când panoul de comandă este deblocat, apăsați pe butonul „Eco” pentru activarea funcției „Eco”. Pictograma „Eco” se aprinde, iar temperatura este setată la -17 °C (1°F).
- Atunci când funcția „Eco” este activă și panoul de comandă este deblocat, o puteți dezactiva prin apăsarea butonului Eco. Temperatura congelatorului va reveni la setarea anterioară.


Blocarea împotriva acționării de către copii

- Atunci când indicatorul  este aprins, panoul de comandă este blocat. Apăsați și mențineți apăsat butonul  timp de 3 secunde. Indicatorul  se stinge, iar panoul de comandă este deblocat. Astfel, butoanele sunt active.
- Dacă timp de 20 de secunde nu apăsați pe niciun buton, indicatorul  se aprinde.

Alarmă

În cazul declanșării acestei funcții, pictograma  se aprinde intermitent, iar aparatul emite un semnal sonor.


Avertizarea privind deschiderea ușii

- În cazul în care ușa rămâne deschisă pentru mai mult de 2 minute, aparatul emite un semnal sonor de avertizare, iar ecranul afișează pictograma „dr”. Semnalul sonor va fi emis de 3 ori la intervale de câte 1 minut.
- La depășirea duratei de 10 minute, avertizarea sonoră se dezactivează, pictograma  se stinge, iar afișajul revine la normal. Semnalul sonor de avertizare poate fi oprit prin închiderea ușii.
- Pentru a economisi energie în timpul utilizării aparatului, vă rugăm să nu lăsați mult timp ușa deschisă.




Alimentare

Apăsați și mențineți apăsat butonul de alimentare timp de 3 secunde pentru a porni sau opri aparatul.

- Atunci când aparatul este în funcțiune și panoul de comandă este deblocat, puteți opri aparatul prin apăsarea butonului de alimentare timp de 3 secunde. Indicatorul  se aprinde, iar afișajul indică „- -”.

Important! Nu depozitați alimente în aparat în această perioadă.

- Atunci când aparatul este în standby și panoul de comandă este deblocat, apăsați și mențineți apăsat butonul de alimentare timp de 3 secunde. Indicatorul  se stinge, aparatul pornește și afișajul revine la normal.

Observație: Butoanele de comandă sunt active numai atunci când panoul de comandă este deblocat.

VII. UTILIZAREA APARATULUI DUMNEAVOASTRĂ

Aparatul dumneavoastră este prevăzut cu accesoriile specificate în secțiunea „Descrierea produsului”. În general, aceste instrucțiuni sunt suficiente pentru a utiliza corect accesoriile. Vă recomandăm să citiți cu atenție aceste instrucțiuni înainte de utilizarea aparatului.

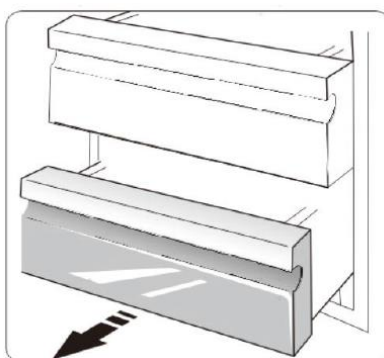
Rafturile din compartimentul de refrigerare

Compartimentul de refrigerare este prevăzut cu rafturi care pot fi scoase în vederea curățării.



Sertarul congelatorului

Acest sertar este utilizat pentru depozitarea alimentelor care necesită congelare, inclusiv carne, pește, înghețată etc.



VIII. CURĂȚARE ȘI ÎNGRIJIRE

Din motive de igienă, aparatul (inclusiv accesoriile exterioare și interioare) trebuie curățat cu regularitate, cel puțin o dată la două luni.

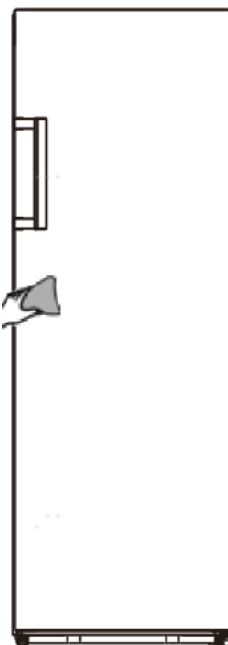
Avertisment!

În timpul curățării, aparatul trebuie să fie deconectat de la sursa de alimentare cu energie electrică, pentru evitarea pericolului de electrocutare. Înainte de efectuarea operațiilor de întreținere, opriți aparatul și scoateți ștecărul din priză.

Curățarea exteriorului aparatului

Ștergeți panoul de comandă cu o cârpă și moale și curată.

- Pulverizați apă pe cârpă, nu direct pe suprafața aparatului. Acest lucru ajută la o distribuție uniformă a umezelii pe suprafețe.
- Curățați ușile, mânerele și suprafețele carcasei cu un detergent slab, apoi ștergeți-le cu o lavetă moale.

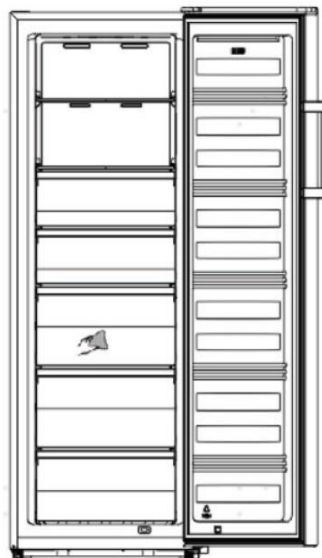


Atenție!

- Nu folosiți obiecte ascuțite, deoarece acestea pot zgâria suprafețele.
- Nu utilizați diluant, detergent auto, clor, uleiuri eterice, agenți de curățare abrazivi sau solvenți organici. Acestea pot deteriora suprafața aparatului și pot provoca incendii.

Curățarea interiorului aparatului

Interiorul aparatului trebuie curățat periodic. Interiorul poate fi curățat mai ușor atunci când în aparat nu sunt multe alimente. Ștergeți interiorul aparatului cu o soluție diluată din bicarbonat de sodiu. Clătiți cu apă caldă, utilizând un burete sau o lavetă stoarsă. Ștergeți rafturile și sertarul pentru legume înainte de a le reintroduce în aparat. Ștergeți bine toate suprafețele și componentele detașabile.



Atenție!

Nu folosiți obiecte ascuțite pentru a îndepărta gheața din compartimentul de congelare. Aparatul trebuie reconectat la sursa de alimentare și repornit numai după ce interiorul acestuia este complet uscat.

Curățarea garniturilor ușilor

Păstrați curate garniturile ușilor. Alimentele și băuturile lipicioase pot face ca garniturile să se lipească de carcasă și să se rupă atunci când deschideți ușa. Spălați garniturile cu detergent delicat și apă caldă. După curățare, clătiți și ștergeți bine garniturile.

Atenție!

Aparatul poate fi conectat la sursa de alimentare cu energie electrică numai după ce garniturile sunt complet uscate.

Înlocuirea lămpii LED

Acest produs conține o sursă de iluminat din clasa de eficiență energetică F.

Avertisment: Lampa LED trebuie înlocuită numai de către o persoană calificată! Dacă lampa cu LED este deteriorată, apălați la asistență specializată. Pentru înlocuirea lămpii cu LED, pot fi urmați pașii de mai jos:

1. Deconectați aparatul de la sursa de alimentare.
2. Scoateți capacul lămpii împingând în sus și spre exterior.
3. Detașați lampa trageți de aceasta în timp ce apăsați pe dispozitivul de blocare.
4. Înlocuiți lampa și fixați-o corect.

Dezghetarea

Congelatorul este conceput pe baza principiului de răcire cu aer și, prin urmare, este prevăzut cu o funcție de dezghetare automată.

IX. RECOMANDĂRI ȘI SFATURI UTILE

Sfaturi pentru economisirea energiei electrice

Vă recomandăm să urmați sfaturile de mai jos în vederea economisirii energiei.

- Pentru a economisi energie, vă rugăm să nu lăsați mult timp ușa deschisă.
- Asigurați-vă că aparatul este departe de orice surse de căldură (lumina directă a soarelui, cuptoare electrice sau aragaze etc.).
- Nu setați temperatura la un nivel mai scăzut decât este necesar.
- Nu depozitați în aparat mâncare caldă sau lichide care se evaporă.
- Instalați aparatul într-o încăpere bine aerisită, ferită de umiditate. Vă rugăm să consultați capitoul privind instalarea aparatului.
- În cazul în care schema indică o configurație corectă pentru sertare și rafturi, vă rugăm să nu modificați acea configurație, deoarece este special concepută pentru eficientizarea consumului de energie electrică.

Recomandări privind congelarea

- La prima pornire sau după o perioadă de neutilizare, lăsați aparatul să funcționeze cel puțin 2 ore la setări pentru temperaturi scăzute înainte de a pune produsele alimentare în compartimente.
- Pregătiți porții mici de alimente, care să poată fi congelate rapid și complet, pentru ca apoi să puteți dezgheța numai cantitatea necesară.
- Împachetați alimentele în folie de aluminiu sau polietilenă.
- Asigurați-vă că alimentele proaspete necongelate nu intră în contact cu cele deja congelate, evitând astfel creșterea temperaturii acestora din urmă.
- În cazul în care sunt consumate imediat după ce sunt scoase din congelator, produsele înghețate pot cauza degerături.
- Se recomandă etichetarea și datarea fiecărui pachet de alimente congelate, pentru a ține evidența duratei de conservare.

Recomandări privind conservarea alimentelor congelate

- Asigurați-vă că alimentele congelate au fost depozitate în mod corect de către comercianți.
- După dezghețare, alimentele se deteriorează rapid și nu trebuie recongelate; Nu depășiți perioadele de păstrare indicate de producătorul alimentelor.

Pentru a evita contaminarea alimentelor, respectați instrucțiunile de mai jos.

- Dacă ușa aparatului este lăsată deschisă pe perioade lungi, temperatura din compartimentele aparatului crește semnificativ.
- Curățați periodic suprafețele care pot intra în contact cu alimentele, precum și sistemele de scurgere ale aparatului.
- Păstrați carnea crudă și peștele proaspăt în recipiente corespunzătoare, astfel încât acestea să nu intre în contact cu alte alimente.
- Compartimentele de congelare cu două stele sunt potrivite pentru păstrarea alimentelor precongelate, păstrarea sau prepararea înghețatei sau producerea cuburilor de gheață.
- Compartimentele cu una, două și trei stele nu sunt potrivite pentru congelarea alimentelor proaspete.

Nr. de ordine	Tipul compartimentului	Temperatură de depozitare recomandată [°C]	Alimente potrivite
1	Refrigerare	+2≤+6	Ouăle, alimentele găsite, alimentele ambalate, fructele și legumele, lactatele, prăjiturile și băuturile nu sunt potrivite pentru congelare.
2	(***)*-Congelare	≤-18	Fructele de mare (peștele, creveții, crustaceele), produsele de acvacultură și cele din carne sunt potrivite pentru congelare (se recomandă depozitarea acestora timp de 3 luni; cu cât durata de depozitare este mai mare, cu atât gustul și proprietățile nutritive se pierd).
3	***-Congelare	≤-18	Fructele de mare (peștele, creveții, crustaceele), produsele de acvacultură și cele din carne nu sunt potrivite pentru congelare (se recomandă depozitarea acestora timp de 3 luni; cu cât durata de depozitare este mai mare, cu atât gustul și proprietățile nutritive se pierd).
4	** - Congelare	≤-12	Fructele de mare (peștele, creveții, crustaceele), produsele de acvacultură și cele din carne nu sunt potrivite pentru congelare (se recomandă depozitarea acestora timp de 2 luni; cu cât durata de depozitare este mai mare, cu atât gustul și proprietățile nutritive se pierd).
5	*-Congelare	≤-6	Fructele de mare (peștele, creveții, crustaceele), produsele de acvacultură și cele din carne nu sunt potrivite pentru congelare (se recomandă depozitarea acestora timp de 1 luni; cu cât durata de depozitare este mai mare, cu atât gustul și proprietățile nutritive se pierd).
6	fără stele	-6≤0	Carne proaspătă de porc, vită și pui, pește proaspăt, anumite alimente prelucrate și ambalate etc. (se recomandă să fie consumate în aceeași zi, de preferință în termen de cel mult 3 zile). Alimente prelucrate, ambalate parțial (alimente necongelabile)
7	Răcire	-2≤+3	Carne proaspătă/congelată de porc, vită și pui, produse de acvacultură etc.(aceste alimente pot fi păstrate cel mult 7 zile la temperaturi sub 0 °C; în cazul păstrării la temperaturi care depășesc 0 °C, se recomandă să fie consumate în aceeași zi, de preferință în termen de cel mult 2 zile). Fructe de mare (aceste alimente pot fi păstrate cel mult 15 zile la temperaturi sub 0 °C; nu se recomandă păstrarea acestora la temperaturi care depășesc 0 °C).
8	Alimente proaspete	0≤+4	Carne proaspătă de porc, vită și pui, mâncare gătită etc. (se recomandă să fie consumate în aceeași zi, de preferință în termen de cel mult 3 zile).
9	Vin	+5≤+20	Vin roșu, vin alb, vin spumant etc.

Notă: vă rugăm să păstrați alimentele în compartimentele corespunzătoare și la temperaturile de depozitare recomandate.

- Dacă aparatul frigorific este lăsat gol pe perioade lungi, opriți-l, decongelați-l, curățați-l, ștergeți-l bine și lăsați-i ușa deschisă pentru a preveni formarea mușgaiului în interiorul acestuia.

Avertisment! Ambalați alimentele în pungi și puneți lichidele în sticle sau recipiente acoperite înainte de a le introduce în frigider, pentru a evita murdărirea componentelor interioare ale aparatului.










Oprirea aparatului

În cazul în care aparatul urmează a fi oprit pentru o perioadă mai îndelungată, parcurgeți pașii de mai jos pentru a preveni formarea mușgaiului.

1. Scoateți toate alimentele din aparat.
2. Deconectați ștecărul de la sursa de alimentare cu energie.
3. Curățați și uscați bine interiorul.
4. Asigurați-vă că ușile sunt întredeschise pentru a permite circulația aerului.

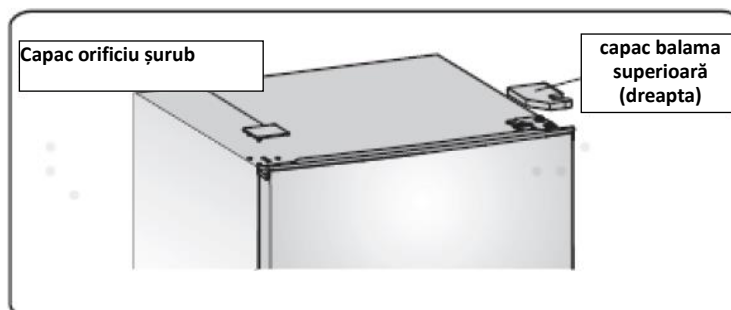
X. INVERSAREA SENSULUI DE DESCHIDERE A UȘII

Sensul de deschidere a ușii poate fi inversat, trecând de la deschidere către partea dreaptă (așa cum este montat în fabrică) la deschidere către partea stângă, dacă locul în care este poziționat aparatul impune acest lucru. Aveți nevoie de următoarele unelte:

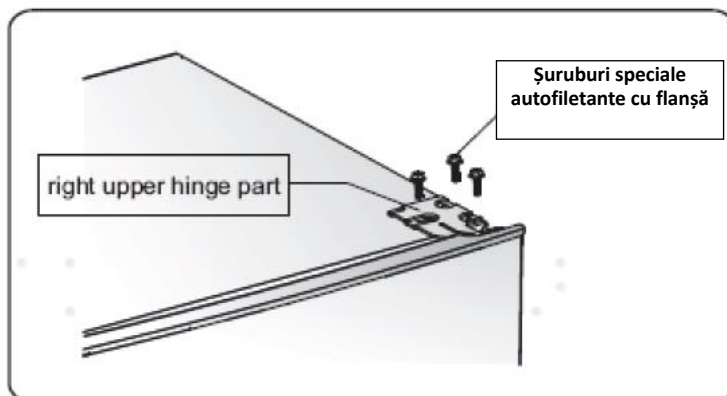
Nu sunt furnizate		
		
Cheie tubulară de 8 mm	Șurubelniță în linie	Șpaclu
		
Șurubelniță în cruce	Cheie franceză	Cheie fixă de 7 mm
Componente suplimentare (în punga de plastic)		
		
		Balama pentru stânga
		
		Capac balama stânga
		
		Capac șuruburi dreapta

Notă: Înainte de a începe, pentru a avea acces la baza aparatului, așezați-l pe spate, pe o bucată de ambalaj din polistiren sau din material similar, în vederea evitării deteriorării componentelor de pe partea din spate a aparatului. Pentru inversarea sensului de deschidere a ușii, se recomandă parcurgerea pașilor de mai jos:

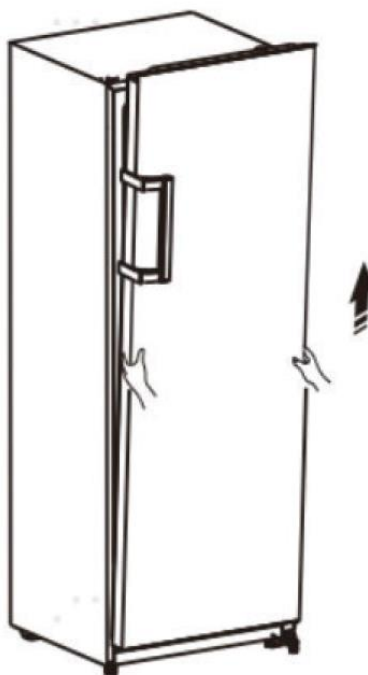
1. Puneți congelatorul în poziție verticală. Îndepărtați capacul de mascare a orificiului pentru șurub și capacul balamalei superioare (dreapta), conform schemei de mai jos.



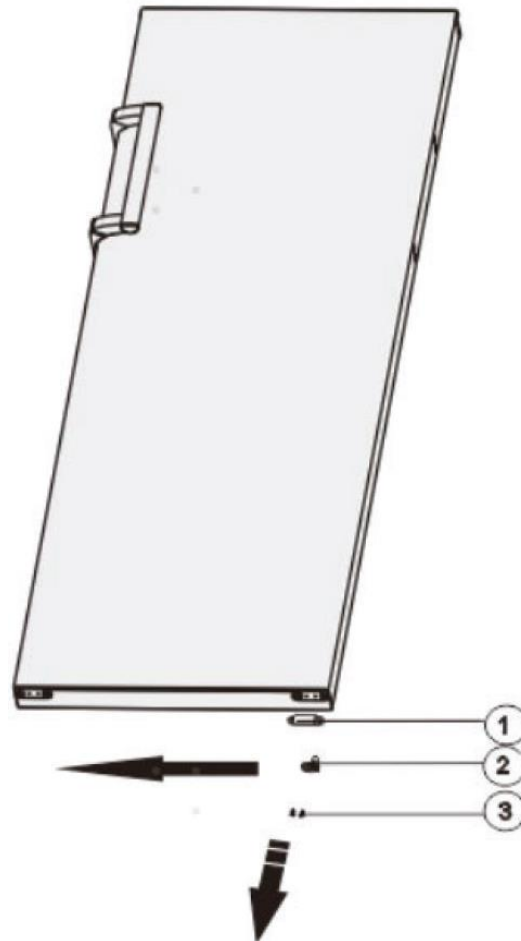
2. Scoateți cele trei șuruburi așa cum este indicat în schema de mai jos. Ridicați balamaua superioară din dreapta.



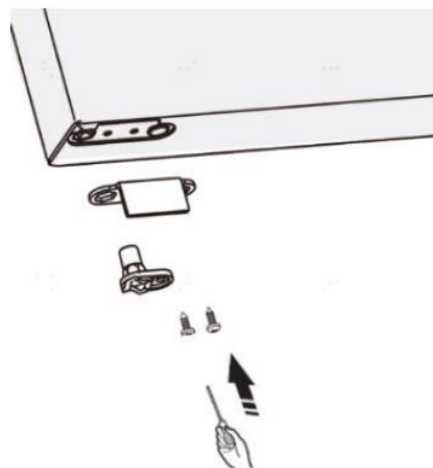
3. Ridicați ușa și așezați-o pe o suprafață moale, pentru a preveni zgârierea acesteia.



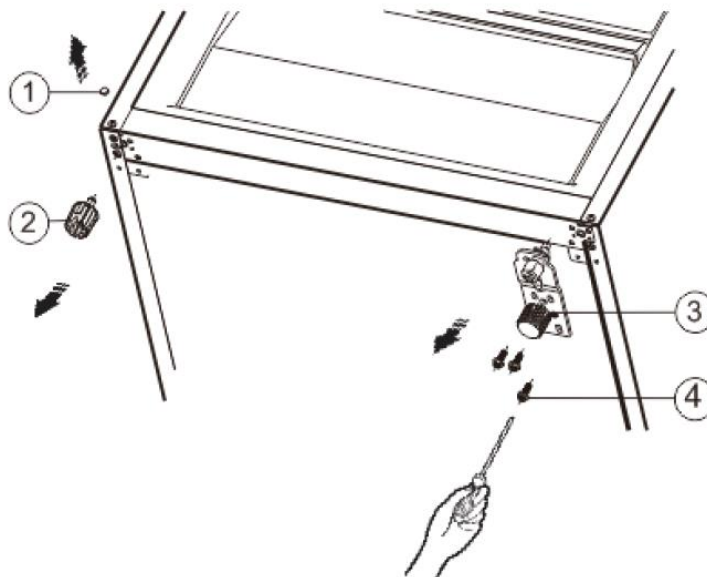
4. Desfaceți șuruburile 3, scoateți piesa 1 și piesa 2, apoi puneți-le la loc în partea stângă și fixați-le bine cu șuruburile 3.



- 1 – Opritor ușă
2 – Blocaj opritor
3 – Șurub autofiletant



5. Așezați congelatorul pe un ambalaj din spumă moale sau pe un material similar. Scoateți piesa 1, piesa 2 și piesa 3 prin desfacerea șuruburilor 4.



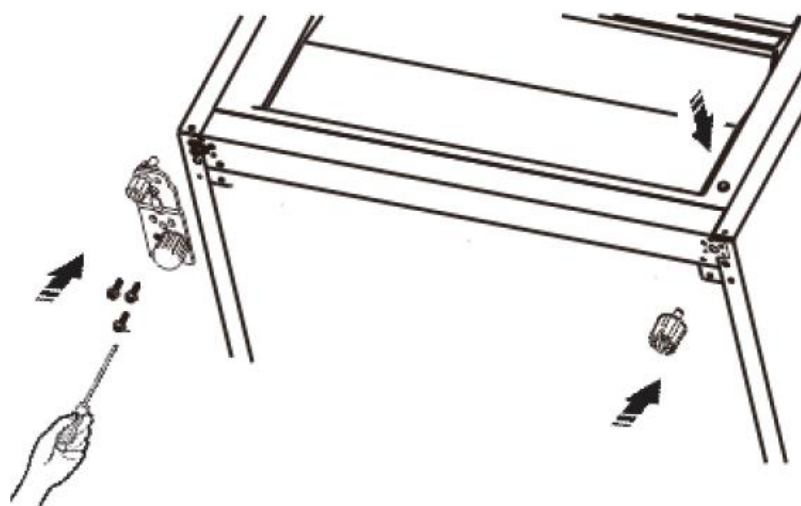
1 – Capac șurub

2 – Picioar reglabil

3 – Balama inferioară dreapta

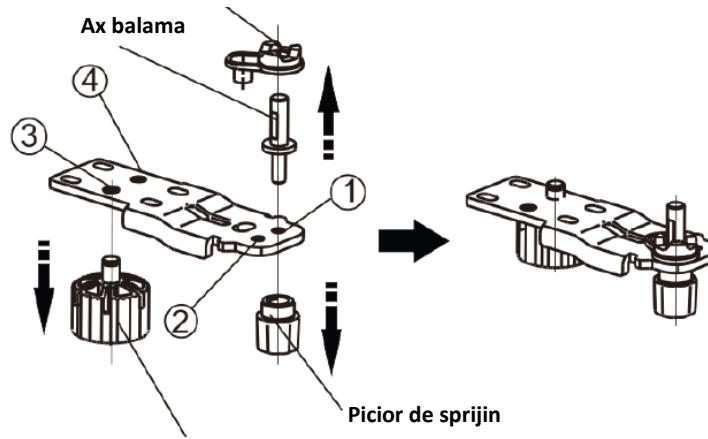
4 – Șurub special autofiletant cu flanșă

6. Puneți piesa 3 în partea stângă și fixați-o cu șuruburile 4. Puneți piesa 1 și piesa 2 în partea opusă și fixați-le.



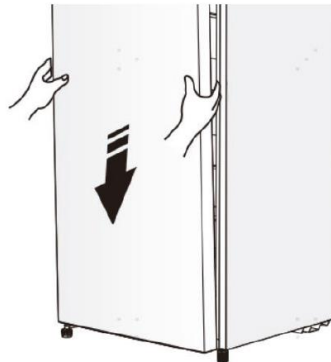
Observație: Este necesar să mutați mai întâi axul balamalei de la orificiul 1 la orificiul 2 și piciorul reglabil de la orificiul 3 la orificiul 4 .

Piesă de susținere pentru cadrul ușii

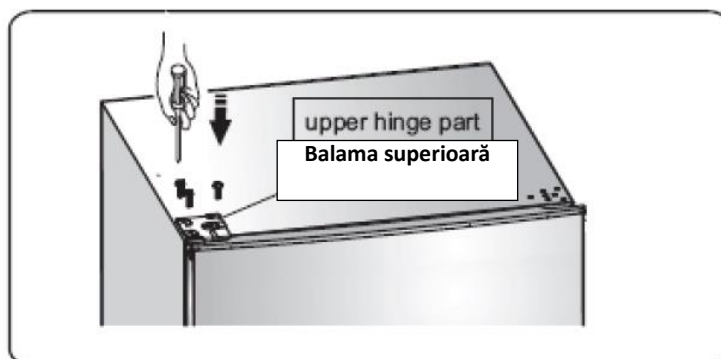


Picioar reglabil

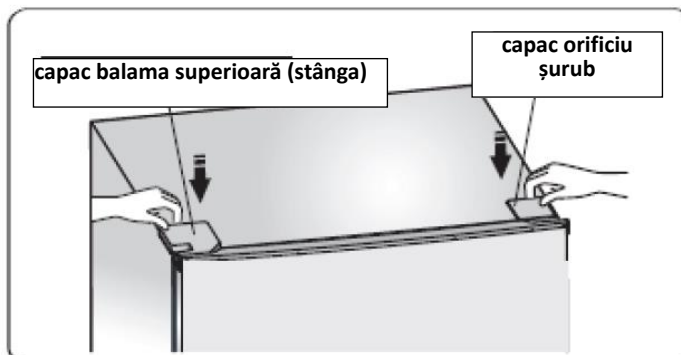
7. Fixați ușa în noua poziție, asigurându-vă că știftul intră în bucașa din partea inferioară a cadrului.



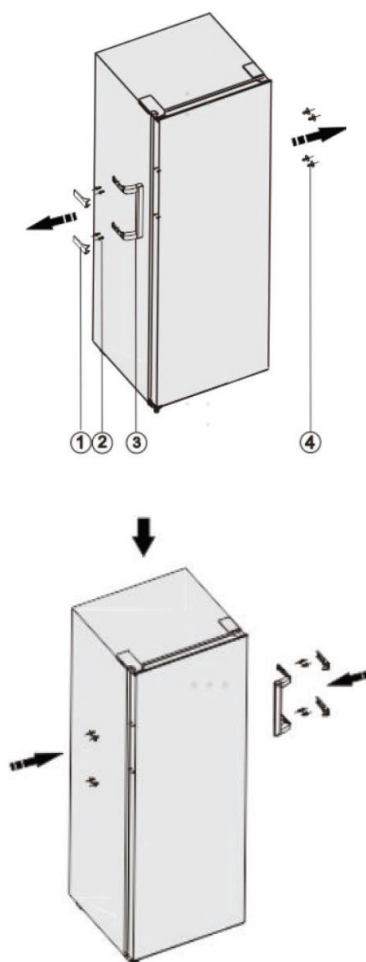
8. Puneți capacul la loc, potrivind axul balamalei superioare în orificiul din partea superioară a ușii, apoi fixați-l cu cele două șuruburi.



9. Poziționați capacul de mascare a orificiului pentru șurub și capacul balamalei superioare (stânga), conform schemei de mai jos.



10. Mutați mânerele de pe stânga pe dreapta (numai în cazul modelului cu mâner).



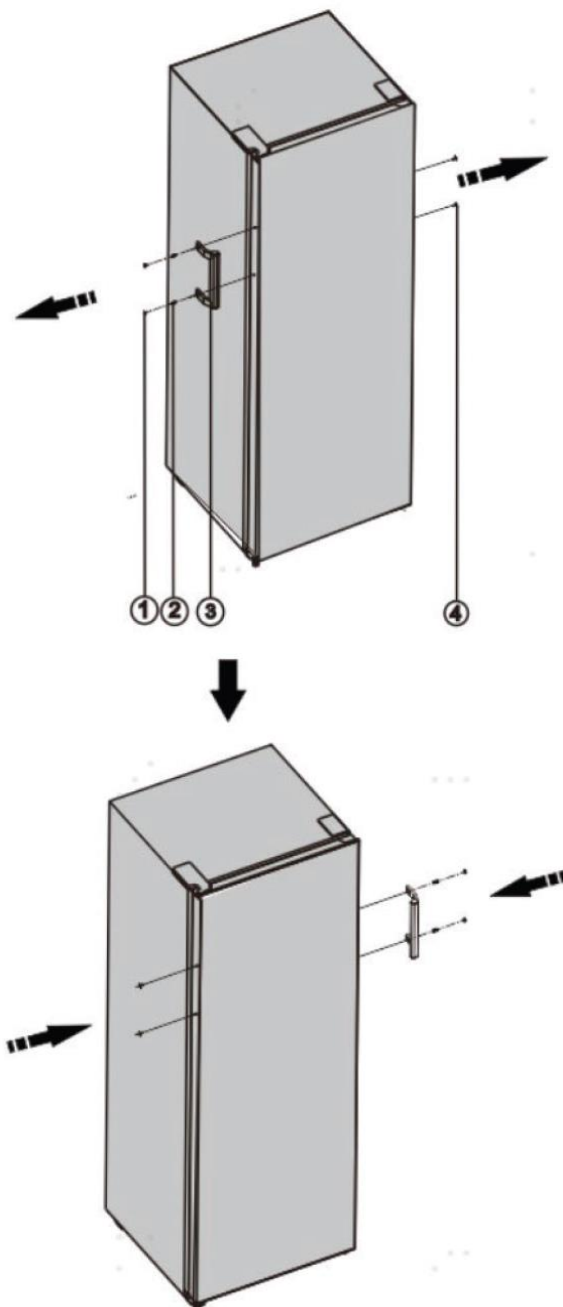
1 – Capac mâner

2 – Şurub

3 – Mâner

4 – Capac de mascare

Observație: Date fiind modificările continue aduse produselor, mânerul poate fi puțin diferit de cel descris în acest manual de utilizare, însă funcțiile și modalitatea de utilizare rămân aceleași. Mutați mânerul din partea stângă în partea dreaptă conform schemei de mai jos.



- 1 - Capac
- 2 – Şurub
- 3 – Mâner
- 4 – Capac de mascare

Avertisment!

Atunci când inversați sensul de deschidere a ușii, aparatul nu trebuie să fie conectat la sursa de alimentare cu energie electrică. Pentru aceasta, deconectați ștecărul de la sursa de alimentare cu energie electrică.

XI. REMEDIEREA PROBLEMELOR

În cazul în care aveți probleme cu aparatul sau vă preocupă faptul că acesta nu funcționează corect, puteți efectua unele verificări simple înainte de a apela la asistență tehnică specializată.

Avertisment! Nu încercați să reparați aparatul pe cont propriu. Dacă problema persistă după ce ați efectuat verificările menționate mai jos, contactați un electrician calificat, un tehnician autorizat sau magazinul de unde ați achiziționat produsul.

Problemă	Cauză posibilă și soluție
Aparatul nu funcționează corect.	Asigurați-vă că ștecărul este introdus corespunzător în priza de curent.
	Verificați siguranța sau circuitul sursei de alimentare; dacă este necesar, înlocuiți siguranța.
	Este normal ca aparatul să nu funcționeze pe durata ciclului de dezghețare automată sau pentru o perioadă scurtă după pornire, pentru a proteja compresorul.
Compartimentele emană mirosuri neplăcute	Este posibil să fie necesară curățarea interiorului aparatului.
	Anumite alimente, recipiente sau ambalaje emană mirosuri.
Aparatul produce zgomote.	Zgomotele enumerate mai jos sunt normale:
	- Zgomote provocate de funcționarea compresorului.
	- Zgomote provocate de curentul de aer provenit de la ventilator, în compartimentul de congelare sau în alte compartimente.
	- Clipocit similar cu zgomotul produs de apă.
	- Pocnituri în timpul dezghețării automate.
	- Păcănituri înainte de pornirea compresorului.
	Alte zgomote neobișnuite pot avea una dintre cauzele de mai jos și poate fi necesară luarea de măsuri:
	- Aparatul nu este echilibrat.
- Partea din spate a aparatului atinge peretele.	
- Sticlele sau recipientele cad sau se rostogolesc.	
Motorul funcționează fără întrerupere	Este normal ca sunetul cauzat de funcționarea motorului să se audă frecvent, acesta funcționând mai mult în următoarele cazuri:
	- Temperatura este setată la un nivel mai scăzut decât este necesar.
	- O cantitate mare de alimente a fost introdusă recent în aparat.

	- Temperatura din exteriorul aparatului este prea ridicată. - Ușile sunt lăsate deschise prea mult timp sau sunt deschise prea des. - După instalarea aparatului sau după ce acesta a fost oprit pentru o perioadă îndelungată.
Se formează un strat de gheață în compartiment.	Asigurați-vă că orificiile de ieșire a aerului nu sunt blocate de alimente și că alimentele sunt așezate corespunzător în compartimente și permit circulația aerului. Asigurați-vă că ușa este închisă bine. Pentru sfaturi privind îndepărtarea gheții, vă rugăm să consultați secțiunea referitoare la curățare și întreținere.
Temperatura din interiorul aparatului este prea ridicată.	Este posibil să fi lăsat ușile deschise pentru prea mult timp sau să le fi deschis prea des; sau închiderea ușilor este împiedicată de obstacole; sau nu ați lăsat un spațiu suficient în părțile laterale ale aparatului, în spatele sau deasupra acestuia.
Temperatura din interiorul aparatului este prea scăzută.	Măriți temperatura, urmând instrucțiunile din secțiunea referitoare la setarea temperaturii.
Ușile nu pot fi închise cu ușurință.	Verificați dacă un obiect din interior împiedică închiderea ușilor sau dacă partea de sus a frigiderului este înclinată către înapoi 10-15 mm pentru a permite ușilor să se închidă singure.

XII. ELIMINAREA PRODUSULUI

Este interzisă eliminarea acestui aparat împreună cu deșeurile menajere.

Materiale de ambalare

Materialele marcate cu simbolul de reciclare sunt reciclabile. Aruncați ambalajele în containere speciale destinate reciclării.

Înainte de eliminarea aparatului

1. Deconectați ștecărul de la sursa de alimentare cu energie.
2. Tăiați cablul de alimentare și aruncați-l împreună cu ștecărul.

Avertisment! Frigiderele conțin agent frigorific și gaze izolante. Agentul frigorific și gazele trebuie să fie eliminate în mod corespunzător, deoarece acestea pot provoca leziuni oculare sau se pot aprinde.

SERVICE ȘI ASISTENȚĂ PENTRU CLIEȚI

Utilizați numai piese de schimb originale.

Când contactați centrul nostru de service autorizat, asigurați-vă că aveți la îndemână următoarele informații: Denumirea modelului și numărul de serie.

Informațiile pot fi găsite pe plăcuța cu date tehnice. Acestea pot suferi modificări fără o notificare prealabilă.

DATE TEHNICE

Informațiile tehnice se află pe plăcuța cu date tehnice a aparatului și pe eticheta energetică.

Codul QR de pe eticheta energetică furnizată împreună cu aparatul oferă un link web către informațiile din baza de date EPREL cu privire la performanțele aparatului.

Păstrați eticheta energetică pentru consultări ulterioare, împreună cu manualul de utilizare și cu toate celelalte documente furnizate împreună cu acest aparat.

De asemenea, puteți găsi aceleași informații în baza de date EPREL, folosind link-ul <https://eprel.ec.europa.eu> și denumirea modelului o găsiți pe plăcuța cu date tehnice a aparatului.

Pentru a accesa informațiile despre produsul Dvs în portalul EPREL, puteți scana codurile de mai jos:



Vă mulțumim pentru achiziționarea acestui produs! Dacă aveți nevoie de asistență în ceea ce privește produsul dumneavoastră, vizitați site-ul nostru web utilizând linkurile de mai jos:

Manuale de utilizare: <https://www.heinner.ro>

Informații referitoare la service: <https://www.heinner.ro>



MASURI PENTRU PROTECTIA MEDIULUI

Va informam ca persoanele fizice au urmatoarele obligatii prin legislatia specifica privind protectia mediului si regimul deseurilor:

- Deeurile de echipamente electrice si electronice (DEEE), pot contine substante periculoase pentru mediu si sanatatea umana. Conform OUG 5/2015, exista obligativitatea predarii acestora, pentru tratarea corespunzatoare si valorificarea componentelor reciclabile. Societatea Network One Distribution S.R.L. este platitoare de taxa de " timbru verde" pentru fiecare Echipament Electric si Electronic (EEE) pe care il pune pe piata. Acest cost asigura tratarea ulterioara a echipamentelor uzate colectate. Din acest motiv, odata ce devine deeu, produsul EEE poate fi predat gratuit operatorului Dvs. de salubritate, la magazine atunci cand achizitionati alt echipament similar, sistemul "unul la unu "sau la punctul de colectare organizat de Primaria Sectorului / localitatii Dvs.
- Simbolul (marcajul) aplicat produselor, care indica faptul ca deeurile DEEE, bateriile si acumulatorii - fac obiectul unei colectari separate, il reprezinta o pubela barata cu o cruce.



Aceste masuri vor ajuta la protejarea mediului

Societatea Network One Distribution S.R.L. este inregistrata in Registrul de punere pe piata a echipamentelor electrice si electronice, avand numarul de inregistrare: RO-2016-03-EEE-0201-IV. De asemenea, au fost intocmite si sunt gestionate: Registrul de Retragere EEE si Registrul de Rechemare EEE, in conformitate cu HG 322/2013. Totodata societatea este inregistrata in Registrul de punere pe piata a bateriilor, avnd numarul de inregistrare: RO-2011-03-B&A-0283.

Conformitatea cu directiva RoHS: Produsul pe care l-ati cumparat este conform cu Directiva RoHS UE (2011/65/UE). Nu contine materialele daunatoare si interzise specificate in Directiva.

Va multumim ca participati alaturi de noi la protejarea mediului si a sanatatii umane!



HEINNER este marcă înregistrată a companiei **Network One Distribution SRL**. Celelalte branduri și denumirile produselor sunt mărci de comerț sau mărci de comerț înregistrate ale respectivilor deținători.

Nicio parte a specificațiilor nu poate fi reprodusă, sub nicio formă și prin niciun mijloc, nici utilizată pentru obținerea unor derivate precum traduceri, transformări sau adaptări, fără consimțământul prealabil al companiei NETWORK ONE DISTRIBUTION.

Copyright © 2013 Network One Distribution. Toate drepturile rezervate.

www.heinner.com, <http://www.nod.ro>
<http://www.heinner.com>, <http://www.nod.ro>



Acest produs este proiectat și realizat în conformitate cu standardele și normele Comunității

Importator: **Network One Distribution**

Str. Marcel Iancu, nr. 3-5, București, România

Tel: +40 21 211 18 56, www.heinner.com , www.nod.ro

HEINNER

ФРИЗЕР

Модел:

HFF-N240NFF+/HFF-N240NFXF+



- Фризер
- Енергиен клас: F
- Общ обем: 240 л.

Благодарим Ви, че избрахте този продукт!

I. ВЪВЕДЕНИЕ

Моля прочетете внимателно инструкциите и запазете наръчника за бъдещи справки.

Този наръчник има за цел да Ви предостави всички необходими инструкции по отношение на инсталирането, използването и поддържането на уреда. Преди инсталиране и използване на уреда, с цел правилна и безопасна употреба на уреда, моля прочетете внимателно този наръчник с инструкции.

II. СЪДЪРЖАНИЕ НА ВАШИЯ ПАКЕТ



- Фризер
- Наръчник за употреба
- Гаранционна карта

III. ПРЕДУПРЕЖДЕНИЯ ОТНОСНО БЕЗОПАСНОСТТА

За Вашата безопасност и за правилна употреба, преди да инсталирате и използвате устройството за първи път, прочетете внимателно този наръчник за потребителя, включително препоръките и предупрежденията. За да се избегнат излишни грешки и злополуки е много важно да се уверите, че всички хора, които използват устройството са запознати с начина на експлоатация и мерките за безопасност. Запазете тези инструкции и се уверете, че ще останат заедно с уреда, ако той бъде преместен или продаден, така че всеки, който го използва в срок на неговата експлоатация да бъде добре информиран във връзка с неговата употреба и с мерките за сигурност.

За безопасност на живота и имуществото, спазвайте разпоредбите в този наръчник за потребителя, тъй като производителя не носи отговорност за щетите причинени поради пропуски.

Съгласно стандарт EN:

Уредът може да се използва от деца на възраст най-малко 8 години и от лица с намалени физически, сетивни или умствени способности, или с липса на достатъчен опит и познания, само ако са под наблюдение или са получили указания във връзка с използването на уреда по безопасен начин и ако разбират опасностите, които могат да възникнат при използване на уреда. Децата нямат право да си играят с уреда. Почистването и поддръжката не трябва да се извършват от деца, които не са под наблюдение.

Съгласно стандарт IEC:

Устройството не е предназначено за използване от лица (включително деца) с намалени физически, сензорни или умствени способности, или които нямат необходимите опит и познания, освен ако са наблюдавани или са били обучени относно използването на уреда от лице, отговорно за тяхната безопасност.

- Децата трябва да бъдат наблюдавани, така че да не си играят с уреда.
- Не оставяйте опаковките на достъпни места за деца. Опасност от задушаване.
- За да избегнете ситуации, в които децата могат да пострадат от токов удар или да се затворят вътре в устройството, преди да го изхвърлите, изключете щепсела от контакта, отрежете захранващия кабел (възможно най-близо до устройството) и премахнете вратата на уреда.
- Ако това устройство (което е снабдено с магнитна система за затваряне) заменя по-стар уред, снабден с пружинно затваряне (клипс) на вратата или на капака, преди да изхвърлите старото устройство се уверете, че пружинното затваряне не може да се използва повече. По този начин децата не могат да останат блокирани вътре.

Общи мерки за безопасност

ПРЕДУПРЕЖДЕНИЕ - Този уред е предназначен за използване в жилища и други подобни помещения:

- кухни на персонала в магазини, офиси и други работни среди;
- в домакинствата и от клиенти на хотели, мотели и други жилищни среди;
- среди от тип пансион с предлагана закуска;
- дейности от вида на кетъринг и доставки на едро.

ПРЕДУПРЕЖДЕНИЕ - Не съхранявайте в това устройство взривни вещества, като аерозолни спрейове със запалима течност.

ПРЕДУПРЕЖДЕНИЕ - Ако захранващият кабел е повреден, той трябва да се подмени от производителя, сервизния персонал или от лица с подобна квалификация, за да се избегнат евентуални опасности.

ПРЕДУПРЕЖДЕНИЕ - Уверете се, че отворите за проветрение върху корпуса на уреда или върху неговото тяло не са запушени.

ПРЕДУПРЕЖДЕНИЕ - Не използвайте механични устройства или други средства за ускоряване на процеса за размразяване освен тези, които са препоръчани от производителя.

ПРЕДУПРЕЖДЕНИЕ - Не повреждайте мрежата на хладилния агент.

ПРЕДУПРЕЖДЕНИЕ - Не използвайте електрически уреди на местата за съхраняване на храни в този уред, освен ако са от типа на тези, които се препоръчват от производителя.

ПРЕДУПРЕЖДЕНИЕ - Хладилният агент и изолационният газ са запалими. Елиминирайте уреда само чрез депониране в оторизиран център за елиминиране на отпадъци. Не излагайте уреда на огън.

ПРЕДУПРЕЖДЕНИЕ - Когато позиционирате уреда, уверете се, че не сте смачкали или повредили захранващия кабел.

ПРЕДУПРЕЖДЕНИЕ - Не поставяйте зад уреда разклонители за контакт или преносими източници на захранване.

Смяна на крушки

ПРЕДУПРЕЖДЕНИЕ - Крушките не трябва да се сменят от потребителя! Ако крушките се повредят, обърнете се към специализиран сервиз. Това предупреждение е валидно само за хладилници, оборудвани с осветителни лампи.

Хладилният агент

Хладилната верига на устройството съдържа охладителен агент R600a (изобутан), природен газ с висока степен на съвместимост с околната среда, но запалим. По време на транспортирането и монтажа на устройството се уверете, че нито един от компонентите на хладилната верига не е повреден.

Хладилният агент (R600a) е запалим.

ПРЕДУПРЕЖДЕНИЕ - Хладилниците съдържат хладилен агент и изолационни газове. Хладилният агент и газовете трябва да бъдат обезвредени по съответстващ начин, защото могат да предизвикат очни наранявания или могат да се запалят. Преди обезвреждане, уверете се, че системата от тръбопроводи на охлаждащия кръг не е повредена.

Ремонтът на този уред е опасен за всеки, освен за упълномощено за това лице.



Внимание! Опасност от пожар!

Ако охладителната верига е повредена:

- Избягвайте употребата на открит пламък и източници за запалване.
- Проветрете добре стаята, в която се намира устройството.

Всякаква промяна на спецификациите или на продукта е опасна. Всяка повреда на захранващият кабел може да създаде риск от късо съединение, пожар или токов удар.

Електрическа безопасност

1. Не удължавайте захранващият кабел.
2. Уверете се, че щепсела не е смачкан или повреден. В случай, че захранващият кабел е смачкан или повреден, той може да прегрее и да причини пожар.

3. Уверете се, че имате достъп до щепсела на устройството.
4. Не дърпайте захранващият кабел.
5. Ако контакта, в който трябва да се включи щепсела е разхлабен, не включвайте щепсела в него. Съществува риск от токов удар и пожар.
6. Не употребявайте устройството без капак на лампата за вътрешно осветление.
7. Уредът може да се захранва само от електрически кръг с монофазен променлив ток 220-240V~/50Hz. Ако промените в напрежението в зоната, в която живее потребителят, не попадат в границите на диапазона на напрежение по-горе, за безопасност, използвайте автоматичен регулатор на напрежението AC с мощност по-голяма от 350 W. Уредът трябва да се захранва от отделен контакт, а не от контакт, към който са свързани и други електрически уреди. Щепселът трябва да е съвместим с контакта за заземяване.

Ежедневна употреба

- Не съхранявайте газове или запалими течности в устройството; съществува риск от експлозия.
- Не използвайте електрически устройства във вътрешността на уреда (например електрически устройства за правене на сладолед, миксери и др.).
- Когато го изключвате от контакта, винаги изваждайте щепсела от контакта, не дърпайте кабела.
- Не поставяйте горещи предмети върху пластмасовите компоненти на устройството.
- Не поставяйте храни точно до отвора за извеждане на въздух, който се намира на задната стена от вътрешността на уреда.
- Съхранявайте опакованите замразени храни в съответствие с инструкциите на производителя на замразените храни.
- Спазвайте стриктно препоръките за съхранение от страна на производителя на това устройство. Вижте съответните указания.
- Не складирайте газирани напитки в хладилната камера, т.к. се образува налягане в бутилките и могат да експлодират, като ще последва повреждане на уреда.
- Замразените храни могат да предизвикат измръзване, ако се консумират директно от фризера.
- Не излагайте устройството на пряка слънчева светлина.
- Дръжте запалени свещи, лампи и други предмети с отворен пламък възможно най-далече от устройството, така че то да не се запали.
- Устройството е предназначено за съхранение на хранителни продукти и/или напитки в обикновено жилище, както е обяснено в този наръчник за потребителя. Бъдете внимателни, когато премествате уреда, тъй като е тежък.
- Не изваждайте и не докосвайте предмети от фризера, ако ръцете Ви са влажни / мокри, защото това може да причини увреждания на кожата или измръзване.
- Никога не използвайте основата, чекмеджетата, вратите и др., за да се качвате върху тях или като подложка.
- Не замразявайте повторно размразени храни.

- Не яжте сладолед или ледени кубчета директно от фризера, защото могат да причинят измръзване на устата или устните.
- За да предотвратите падане на предмети и причиняване на телесни наранявания или повреждане на уреда, не претоварвайте рафтовете върху вратата и не поставяйте твърде много храни в контейнера за плодове и зеленчуци.
- Този хладилен уред не е предназначен за използване като вграден уред.
- Децата на възраст над 3 години имат право да поставят и изваждат храни от хладилните уреди.

Почистване и поддръжка

- Преди мерките за поддръжка, изключете устройството и извадете щепсела от контакта.
- Не почиствайте устройството с метални предмети, почистващи уреди на пара, етерични масла, органични разтворители или абразивни прахове.
- За да отстраните леда от уреда, използвайте пластмасова стъргалка, а не остър предмет.

Инсталиране

- За свързване на уреда към източник на захранване с електроенергия, следвайте внимателно инструкциите от настоящия наръчник. Разопакувайте устройството и проверете за повреди.
- Ако уреда е повреден, не го свързвайте към източника за захранване. Ако устройството е повредено, незабавно съобщете това на търговеца, от който сте го закупили. В такъв случай запазете опаковката.
- Препоръчваме Ви да изчакате най-малко четири часа, преди да свържете устройството към електрическата мрежа, за да може маслото да има време да се върне в компресора.
- Въздухът трябва да може да се движи свободно около устройството. Без тази вентилация, уреда може да прегрее. За да получите подходяща вентилация спазвайте инструкциите за инсталиране.
- Задната страна на продукта не трябва да се намира твърде близо до стената, за да се предотврати контакта или захващането на топлите компоненти (компресор). За предотвратяване на риска от възникване на пожар, следвайте инструкциите за инсталиране.
- Не поставяйте устройството близо до радиатори или готварски печки.
- Уверете се, че имате достъп до щепсела, след инсталиране на устройството.

Ремонти

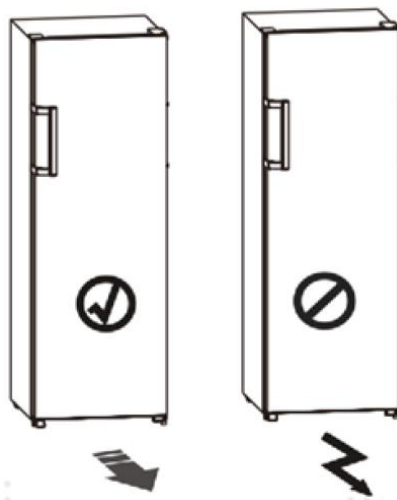
- Електрическата работа за ремонтване на уреда трябва да се извършва от квалифициран електротехник или от специализиран персонал.
 - Продуктът трябва да бъде ремонтиран от оторизиран сервизен център, като се използват само оригинални резервни части.
- 1) Ако уредът е оборудван със система "Frost Free".
 - 2) Ако уредът е оборудван с хладилна камера.

IV. ИНСТАЛИРАНЕ НА УРЕДА

Преди първата употреба на уреда, моля, прочетете препоръките по-долу.

Предупреждение!

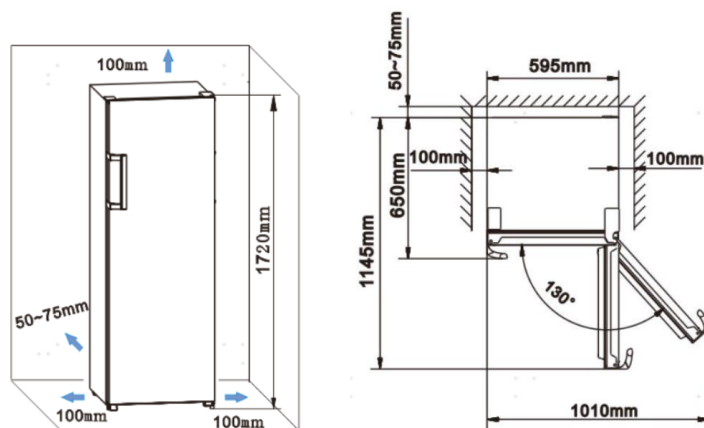
За съответстващо инсталиране, този уред трябва да бъде поставен върху хоризонтална и твърда повърхност, разположена на същото ниво като останалата част на пода. Устойчивостта на тези повърхности трябва да позволява поддържането на цялостно зареден уред. Уредът е оборудван с ролки, а не с колела. Те трябва да се използват само за движение напред или назад. Преместването на уреда настрани може да повреди пода и ролките.



Проветряване на уреда

За висока ефективност на охлаждането и ниска консумация на електроенергия трябва да има добра вентилация около уреда, за да се улесни разсейването на топлината. За тази цел трябва да оставите достатъчно свободно пространство около уреда.

Препоръка: Ви да оставите разстояние от 50-70 мм между задната страна на уреда и стената, най-малко 100 мм в горната страна, най-малко 100 мм от двете страни, както и свободно пространство отпред, което да позволява отваряне на вратите на 130°. Вижте изображенията по-долу:



Забележка:

- Този уред функционира по съответстващ начин в климатичните класове от SN до T, посочени в таблицата по-долу. Възможно е хладилникът да не функционира правилно, ако е оставен продължително време на температура под или над посочените стойности.

Климатичен клас	Околна температура
SN	от +10° C до +32° C
N	от +16° C до +32° C
ST	от +16° C до +38° C
T	от +16° C до +43° C

- Инсталирайте уреда на сухо място и с ниска относителна влажност.
- Не излагайте уреда на пряка слънчева светлина, дъжд или студ. Инсталирайте уреда далеч от източници на топлина като печки или нагреватели.

Нивелиране на уреда

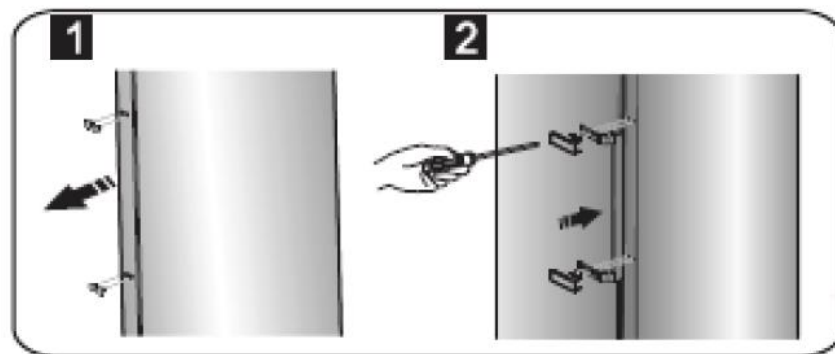
- За осигуряване на ефикасно нивелиране и оптимална циркулация на въздуха в задната страна на уреда, може да се налага регулиране на крачетата на уреда. Регулирането на крачетата може да се реализира ръчно или с помощта на подходящ ключ.
- За да могат вратите да се затварят сами, наклонете уреда назад около 10-15 мм.



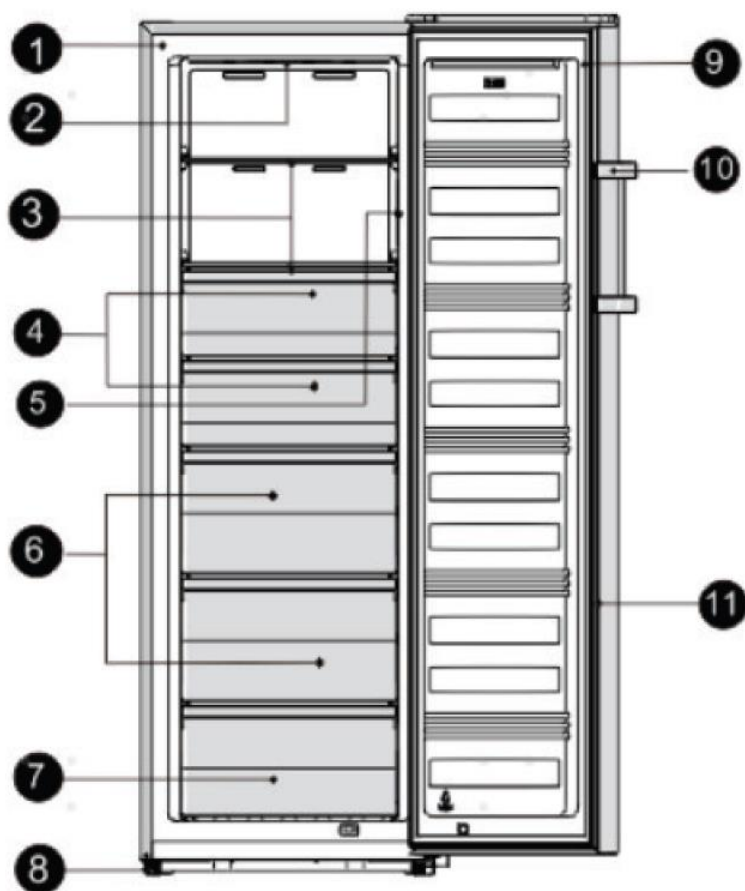
Инсталиране на дръжките

С цел улесняване на транспорта, дръжките на вратите се доставят отделно, в пластмасова торбичка; можете да инсталирате дръжките по следния начин:

1. Отстранете капачките на винтовете от лявата страна на вратата, след което ги поставете в найлоновата торбичка.
2. Поставете дръжката от лявата страна на вратата, като подравните отворите за винтове на дръжката с тези на вратата, както е показано на снимката.
3. Фиксирайте дръжките с помощта на специалните винтове, доставени в пластмасовата торбичка.
- 4.



V. ОПИСАНИЕ НА УРЕДА



1. Корпус	7. Долно чекмедже
2. LED лампа	8. Регулируеми крачета
3. Стъклен рафт	9. Врата на фризера
4. Горни чекмеджета	10. Дръжка
5. Дисплей	11. Уплътнение на вратата на фризера
6. Централни чекмеджета	

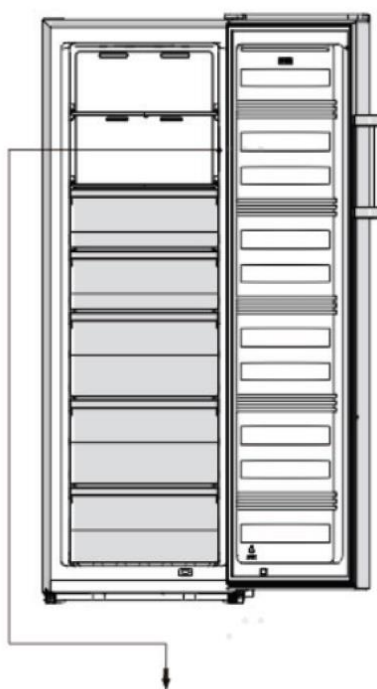
Поради непрекъснатите изменения на продуктите, Вашият уред може да е малко по-различен от описания в този наръчник за употреба, но функциите и начинът на употреба си остават същите.

За да бъде този продукт възможно най-ефективен, моля, поставете рафтовете, чекмеджетата и кошниците в позициите, които са показани в изображението по-горе.

VI. КОНТРОЛЕН ПАНЕЛ

Използвайте уреда с помощта на контролния панел, показан в изображенията по-долу, който ви позволява да конфигурирате режима на функциониране на уреда. Когато уредът се включи за първи път, осветяването на иконите върху екрана започва да функционира. Ако не е натиснат нито един бутон и вратите са затворени, осветяването ще се изключи.

Вътрешен контролен панел



Контрол на температурата

За оптимално съхранение на храната препоръчваме, когато стартирате фризера за първи път, температурата му да бъде настроена на -18°C (0°F). Ако искате да промените температурата, следвайте инструкциите по-долу.


Внимание!



Когато настройвате температурата, задайте средна температура за целия фризер. Температурите от вътрешната страна на всяко отделение могат да бъдат различни от тези, показани на контролния панел, в зависимост от количеството съхранявани храни и тяхното позициониране в уреда. Също така температурата на околната среда може да оказва влияние върху ефективната температура от вътрешната страна на уреда.

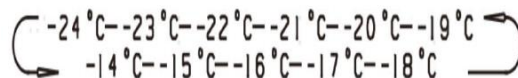
Забележка: Настройването на висока температура ускорява процеса на разваляне на храната.


Температура

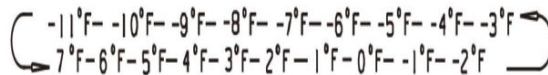
Когато контролният панел е отключен, можете да превключите режима на дисплея от $^{\circ}\text{C}$

на $^{\circ}\text{F}$, като натиснете бутона  за 3 секунди. Когато контролният панел е отключен,

натиснете бутона , и когато индикаторът  светне, температурата на фризера може да се регулира между -14°C и -24°C .



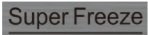
Когато индикаторът  свети, температурата на фризера може да се регулира между 7°F и -11°F .



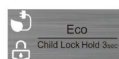
Super freeze (Супер замразяване)

Функцията „Super Freeze” намалява бързо температурата в камерата, така че храните да могат да бъдат замразени по-бързо.

Тази функция също така помага за запазване на витамините и хранителните вещества в пресните храни за по-дълго време.

- Когато контролният панел е отключен, натиснете върху бутона  с цел активиране на функцията „Super Freeze”. Светва пиктограмата „Super Freeze” и температурата се настройва при -24°C (-11°F).
- За да замразите прясна храна, активирайте функцията „Super Freeze” поне 24 часа преди да поставите храната във фризера.
- Функцията „Super Freeze” се деактивира автоматично след около 52 часа.
- Когато функцията „Super Freeze” е активна и контролният панел е отключен, можете да я деактивирате чрез натискане на бутона  и температурата на замразяване ще се върне към предишната настройка.


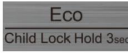


Есо (Еко)



Ако ще отсъствате за дълго време, можете да активирате функцията „Есо“, за да пестите електроенергия.

- Когато контролният панел е отключен, натиснете върху бутона „Есо“ с цел активиране на функцията „Есо“. Светва пиктограмата „Есо“ и температурата се настройва при -17 °C (1°F).
- Когато функцията „Есо“ е активна и контролният панел е отключен, можете да я деактивирате, като натиснете бутона Есо. Температурата на фризера ще се върне към предишната настройка.

Заклучване против задействие от деца


- Когато индикаторът  свети, контролният панел е заключен. Натиснете и задръжте натиснат бутона  за 3 секунди. Индикаторът  изгасва и контролният панел се отключва. По този начин, бутоните са активни.
- Ако в продължение на 20 секунди не натиснете нито един бутон, индикаторът  светва.

Аларма



Когато тази функция се задейства, иконата  мига и уредът издава звуков сигнал.


Предупреждение за отваряне на вратата

- Ако вратата остане отворена за повече от 2 минути, уредът издава предупредителен звуков сигнал и на екрана се показва иконата „dr“. Звуковият сигнал ще прозвучи 3 пъти на интервали от 1 минута.
- Когато продължителността от 10 минути бъде надвишена, звуковото предупреждение се деактивира, иконата  се изключва и екранът се връща в нормално състояние. Звуковият сигнализатор може да се изключи чрез затваряне на вратата.
- За да спестите енергия по време на използване на уреда, моля, не оставяйте вратата отворена за дълго време.


Захранване



Натиснете и задръжте натиснат бутона за захранване за 3 секунди, за да включите или изключите уреда.

- Когато уредът работи и контролният панел е отключен, можете да изключите уреда, като натиснете бутона за захранване за 3 секунди. Индикаторът  светва и на дисплея се показва „- -“.

Важно! Не съхранявайте храна в уреда през този период.

- Когато уредът е в режим на готовност и контролният панел е отключен, натиснете и задръжте натиснат бутона за захранване за 3 секунди. Индикаторът  изгасва, уредът се включва и дисплеят се връща в нормално състояние.

Забележка: Бутоните за управление са активни само когато контролният панел е отключен.

VII. ИЗПОЛЗВАНЕ НА ВАШИЯ УРЕД

Вашият уред е оборудван с аксесоарите, които са посочени в раздел „Описание на продукта“. По принцип тези инструкции са достатъчни, за да използвате правилно аксесоарите. Моля прочетете внимателно тези инструкции преди да използвате уреда.

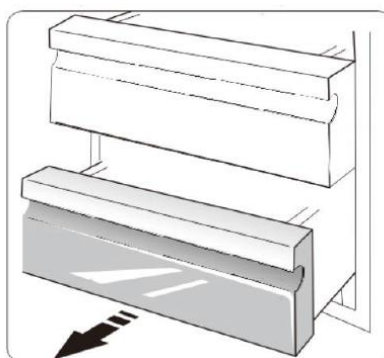
Рафтовете от хладилното отделение

Хладилното отделение е оборудвано с рафтове, които могат да се изваждат с цел почистване.



Чекмеджето на камерата

Това чекмедже се използва за съхранение на храни, които изискват замразяване, включително месо, риба, сладолед и др.



VIII. ПОЧИСТВАНЕ И ОПАЗВАНЕ

По хигиенни причини уредът (включително външните и вътрешните аксесоари) трябва да се почиства редовно, най-малко един път на всеки два месеца.

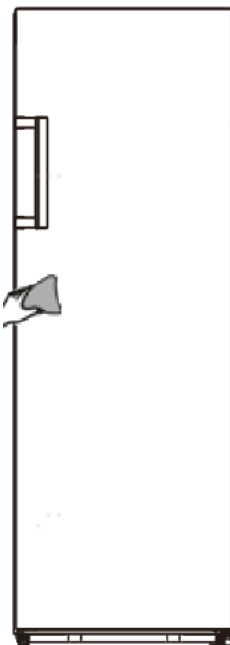
Предупреждение!

Внимание! Внимание! По време на почистване уредът трябва да бъде изключен от източника на захранване с електроенергия, за да се избегне опасността от токов удар. Преди извършване на операции по поддръжка изключвайте уреда и изваждайте щепсела от контакта.

Почистване на външната част на уреда

Избършете контролния панел с мека и чиста кърпа.

- Напръскайте с вода върху кърпата, а не директно върху повърхността на уреда. Това помага за равномерното разпределение на влажността върху повърхностите.
- Почистете вратите, дръжките и повърхностите на корпуса с мек препарат за миене, след това избършете ги с мека абсорбираща кърпа.

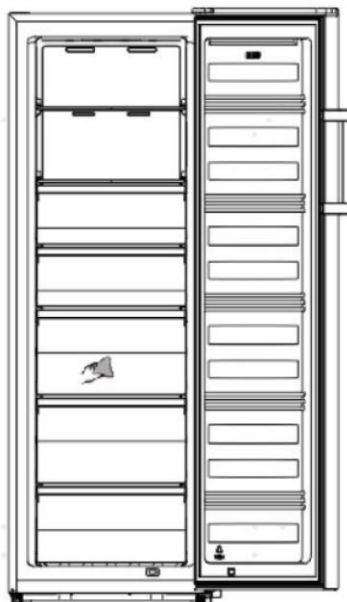


Внимание!

- Не използвайте остри предмети, т.к. могат да надраскат повърхностите.
- Не използвайте разреждател, автомобилен почистващ препарат, хлор, етерични масла, абразивни почистващи агенти или органични разтворители. Те могат да повредят повърхността на уреда и могат да причинят пожар.

Почистване на вътрешната част на уреда

Вътрешната част на уреда трябва да се почиства периодично. Вътрешната част може да се почиства по-лесно тогава, когато в уреда има малко храни. Избършете вътрешната част на уреда с разреден разтвор от натриев бикарбонат. Изплакнете с топла вода, като използвате гъба или влажна кърпа. Избършете рафтовете и чекмеджетата преди да ги поставите отново в уреда. Избършете добре всички повърхности и отделящите се компоненти.



Внимание!

Не използвайте остри предмети, за да отстранявате леда от фризерното отделение. Уредът трябва да се свързва отново към източника на захранване и да се включва отново само след като вътрешната му част е напълно суха.

Почистване на уплътнителите на вратите

Пазете уплътнителите на вратите чисти. Лепкавите храни и напитки могат да предизвикат залепване на уплътнителите за корпуса и могат да се скъсат, когато отворите вратата. Измивайте уплътнителите с мек препарат за миене на съдове и топла вода. След почистване изплакнете и избършете добре уплътнителите.

Внимание!

Уредът може да се свързва към източника на захранване с електроенергия само след като уплътнителите са напълно сухи.

Подмяна на LED лампа

Този продукт съдържа източник на светлина с клас на енергийна ефективност F.

Предупреждение! Светодиодът трябва да се сменя само от квалифицирано лице! Ако светодиодът е повреден, потърсете специализирана сервизна помощ. За смяна на светодиодната лампа следвайте стъпките по-долу:

1. Изключете уреда от източника на захранване.
2. Извадете капака на лампата като натискате нагоре и навън.
3. Извадете лампата, като я издърпате, докато натискате устройството за заключване.
4. Сменете лампата и фиксирайте я правилно.

Размразяване

Хладилникът е проектиран въз основа на принципа на въздушното охлаждане и, следователно, е оборудван с функция за автоматично размразяване.

IX. ПОЛЕЗНИ СЪВЕТИ/ПРЕПОРЪКИ

Съвети за икономия на електроенергия

Препоръчваме Ви да следвате съветите по-долу с оглед икономия на електроенергия.

- За икономия на електроенергия, моля не оставяйте вратата отворена за дълго време.
- Уверете се, че уредът не е инсталиран в близост до източници на топлина (пряка слънчева светлина, електрическа или газова фурна и др.).
- Не настройвайте температурата на по-ниско ниво от необходимото.
- Не съхранявайте в уреда топла храна или течности, които се изпаряват.
- Инсталирайте уреда в добре проветрено помещение, с ниска относителна влажност. Моля вижте главата относно инсталацията на уреда.
- Ако скицата Ви показва правилната комбинация за чекмеджетата и рафтовете, не коригирайте комбинацията, ще доведе до по-висок разход на енергия.

Препоръки при замразяване

- При първо пускане в експлоатация или след период на неизползване, оставете уреда да функционира най-малко 2 часа при настройки за ниски температури, преди да поставите храни в отделенията.
- Пригответе малки порции храни, които ще могат да бъдат замразени бързо и цялостно, така че да можете да размразявате само необходимото количество.
- Опаковайте храните в алуминиево или полиетиленово фолио.
- Уверете се, че незамразените пресни храни не се допират до вече замразените храни, като по този начин предотвратявате покачването на температурата на последните.
- Ако се консумират веднага след като са извадени от фризера, замразените продукти могат да причинят измръзвания.
- Препоръчително е да отбележите на всеки пакет датата на замразяване, за да знаете периода на замразяване.

Препоръки за запазване на замразените храни

- Уверете се, че замразените храни са съхранявани правилно от търговците.
- След размразяване храните се развалят бързо и не трябва да се замразяват повторно; не превишавайте срока за съхранение, посочен от производителя на храните.

За да избегнете заразяването на храни, спазвайте инструкциите по-долу.

- Ако вратата на уреда е оставена отворена за дълъг период от време, температурата в отделенията на уреда се увеличава значително.
- Почиствайте периодично повърхностите, които могат да влязат в контакт с храните, както и източващите системи на уреда.
- Съхранявайте суровото месо и прясната риба в подходящи съдове, така че продуктите да не влизат в контакт с други храни.
- Фризерните отделения с две звезди са подходящи за съхранение на предварително замразени храни, за съхранение или приготвяне на сладолед и за производство на кубчета лед.
- Отделенията с една, две и три звезди не са подходящи за замразяване на пресни храни.

Пореден номер	Тип на отделението	Препоръчвана температура за съхранение [°C]	Подходящи храни
1	Охлаждане	+2≤+6	Яйцата, готвените храни, пакетирани храни, плодовете и зеленчуците, млечните продукти, сладкишите и напитките не са подходящи за замразяване.
2	(***)*-Замразяване	≤-18	Морските дарове (рибата, скаридите, ракообразните), водните и месните продукти са подходящи за замразяване (препоръчва се тяхното съхранение за 3 месеца; колкото повече е времето за съхранение, толкова повече се губят вкуса и хранителните свойства).
3	***-Замразяване	≤-18	Морските дарове (рибата, скаридите, ракообразните), водните и месните продукти не са подходящи за замразяване (препоръчва се тяхното съхранение за 3 месеца; колкото повече е времето за съхранение, толкова повече се губят вкуса и хранителните свойства).
4	***-Замразяване	≤-12	Морските дарове (рибата, скаридите, ракообразните), водните и месните продукти не са подходящи за замразяване (препоръчва се тяхното съхранение за 2 месеца; колкото повече е времето за съхранение, толкова повече се губят вкуса и хранителните свойства).
5	*-Замразяване	≤-6	Морските дарове (рибата, скаридите, ракообразните), водните и месните продукти не са подходящи за замразяване (препоръчва се тяхното съхранение за 1 месеца; колкото повече е времето за съхранение, толкова повече се губят вкуса и хранителните свойства).
6	Без звезди	-6≤0	Прясно свинско, говеждо, телешко и пилешко месо, прясна риба, някои преработени и пакетирани храни и др. (препоръчва се да се консумират в същия ден, за предпочитане до 3 дни). Преработени храни, частично пакетирани (храни, които не трябва да се замразяват).
7	Охлаждане	-2≤+3	Прясно/замразено свинско, говеждо, телешко и пилешко месо, водни продукти и др. (тези храни могат да се съхраняват до 7 дни при температури под 0 °C; в случай на съхранение при температури, които надвишават 0 °C, препоръчва се да се консумират в същия ден, за предпочитане до 2 дни). Морски дарове (тези храни могат да се съхраняват до 15 дни при температури под 0 °C; не се препоръчва съхранението им при температури, които надвишават 0 °C)
8	Пресни храни	0≤+4	Прясно свинско, говеждо, телешко и пилешко месо, готвена храна и др. (препоръчва се да се консумират в същия ден, за предпочитане до 3 дни)
9	Вино	+5≤+20	Червено вино, бяло вино, пенливо вино и др.

Забележка: Моля, съхранявайте храните в подходящите отделения и при препоръчаните температури за съхранение.

- Ако хладилният уред ще бъде оставен празен за дълъг период от време, изключете го, размразете го, почистете го, избършете го добре и оставете вратата му отворена, за да се предотврати образуването на мухъл във вътрешността му.

Предупреждение! Опаковайте храните в торбички и поставете течностите в бутилки или в покрити съдове, преди да ги поставите в хладилника, за да се избегне замърсяването на вътрешните компоненти на уреда.

Изключване на уреда

Ако уредът следва да бъде изключен за по-дълго време, изпълнете стъпките по-долу, за да се предотврати образуването на плесен.

1. Извадете всички храни от уреда.
2. Извадете щепсела от източника за захранване с електроенергия.
3. Почистете и подсушете добре вътрешната част.
4. Уверете се, че вратите са претворени, за да се позволи циркулация на въздуха.

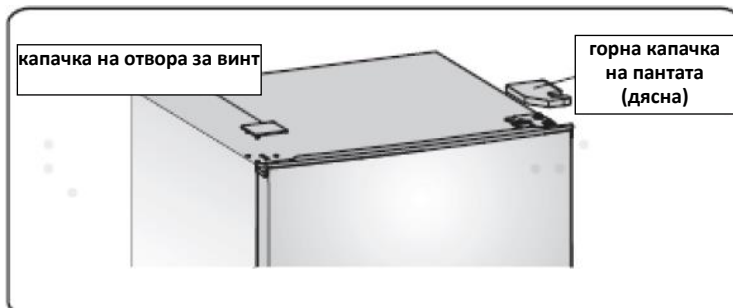
Х. ОБРЪЩАНЕ НА ПОСОКАТА НА ОТВАРЯНЕ НА ВРАТАТА

Посоката на отваряне на вратите може да бъде променена, като отварянето към дясната страна (както са монтирани фабрично) да се извършва към лявата страна, ако мястото за монтиране го позволява. Необходими са следните инструменти:

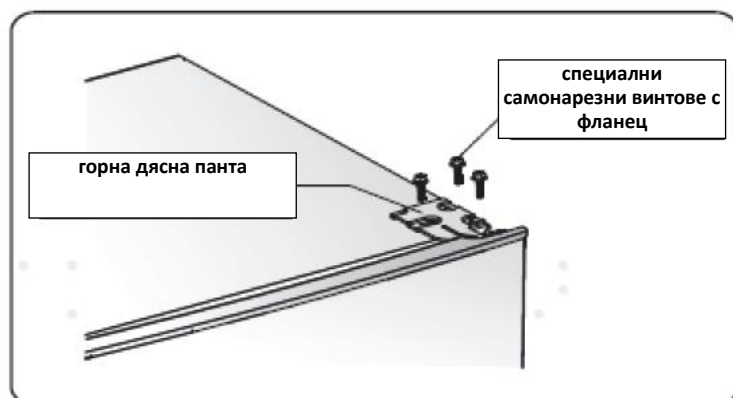
Не са предоставени		
		
Тръбен ключ 8 мм	Права отвертка	Шпакла
		
Кръстосана отвертка	Френски ключ	Гаечен ключ 7 мм
Допълнителни компоненти (в найлонова торбичка)		
		
Панта за ляво отваряне		
		
Капачка на панта за ляво отваряне		
		
Дясна капачка на винтовете		

Забележка: Преди да започнете, за да имате достъп до основата на уреда, поставете го на задната страна върху парче от полистирол или от подобен материал, за да избегнете повреждането на компонентите от задната страна на уреда. За да обърнете посоката на отваряне на вратата, се препоръчва да преминете стъпките по-долу:

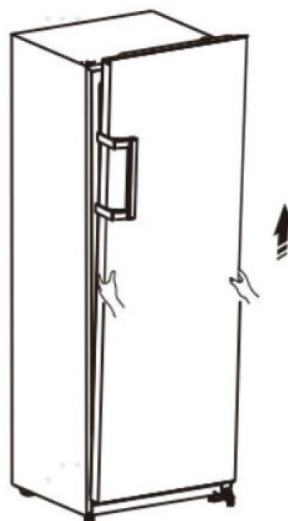
1. Поставете фризера във вертикално положение. Отстранете маскиращата капачката на отвора за винта и горната (дясна) капачка на пантата, както е показано на схемата по-долу.



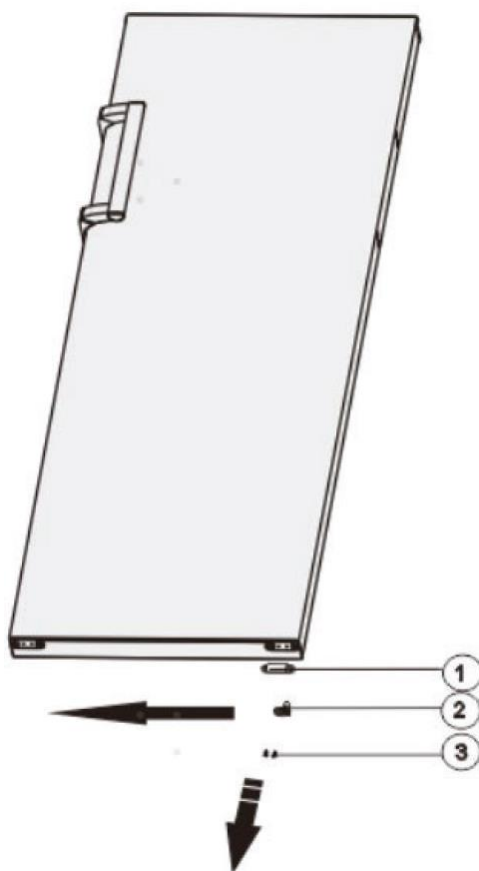
2. Отстранете трите винта, както е показано на схемата по-долу. Повдигнете горната дясна панта.



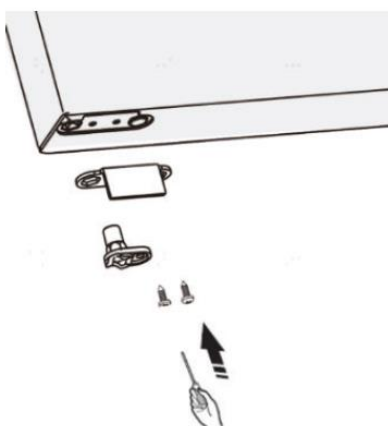
3. Повдигнете вратата и я поставете върху мека повърхност, за да я предпазите от надраскване.



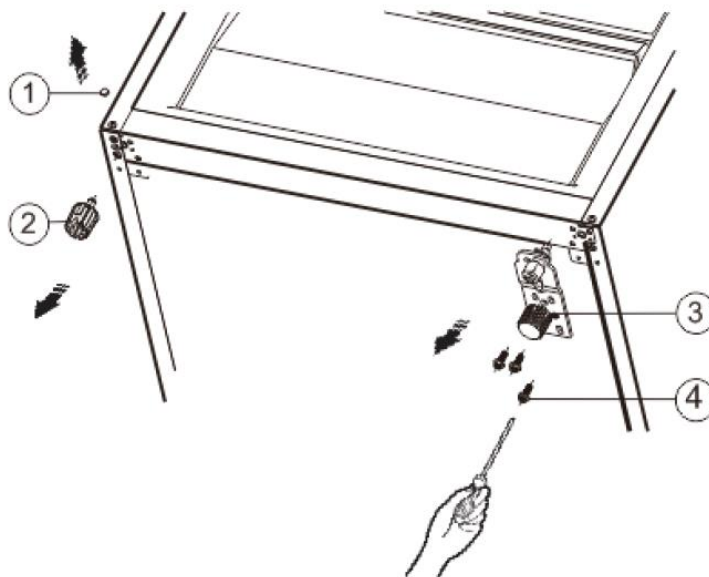
4. Разхлабете винтове 3, извадете част 1 и част 2, след това ги поставете обратно от лявата страна и ги фиксирайте добре с винтове 3.



- 1 – Ограничител на вратата
2 – Заклучване на ограничителя
3 – Самонарезен винт



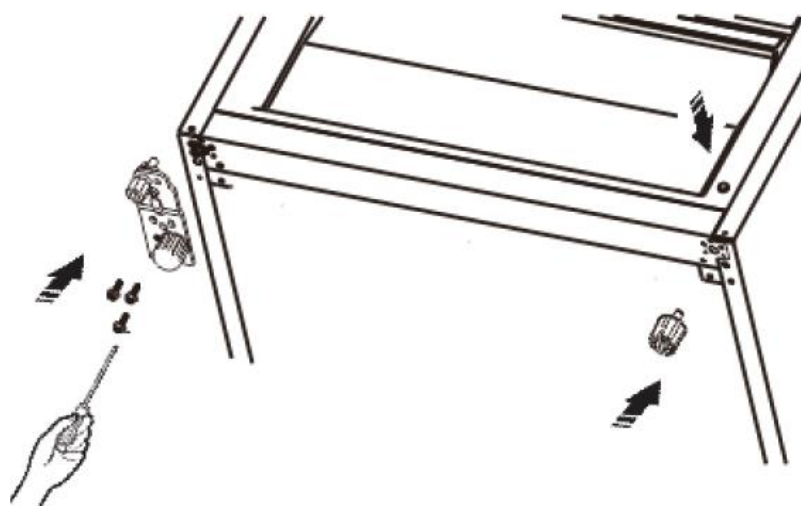
5. Поставете фризера върху опаковка от мека пяна или върху подобен материал. Отстранете част 1, част 2 и част 3 чрез разхлабване на винтове 4.



- 1 – Капачка на винт
- 2 – Регулируемо краче
- 3 – Долна дясна панта

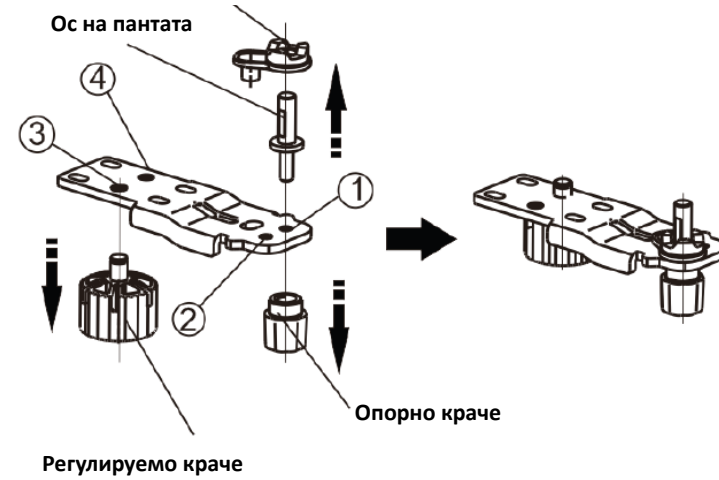
4 – Специален самонарезен винт с фланец

6. Поставете част 3 от лявата страна и я фиксирайте с винтове 4. Поставете част 1 и част 2 от противоположната страна и ги фиксирайте.

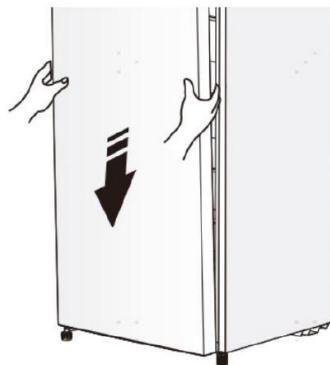


Забележка: Необходимо е първо да преместите оста на пантата от отвор 1 в отвор 2 и регулируемото краче от отвор 3 в отвор 4.

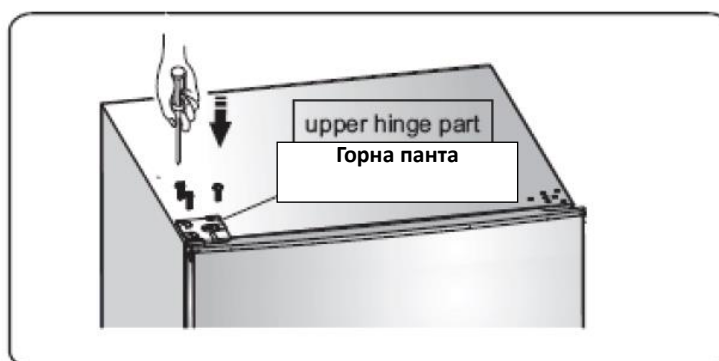
Опорна част за рамката на вратата



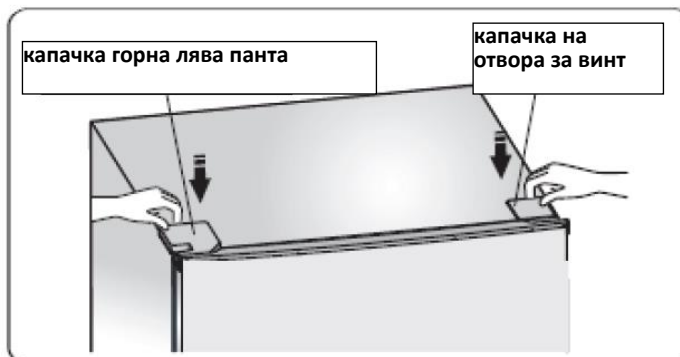
7. Фиксирайте вратата в новата ѝ позиция, като се уверите, че щифтът влиза във втулката в долната част на рамката.



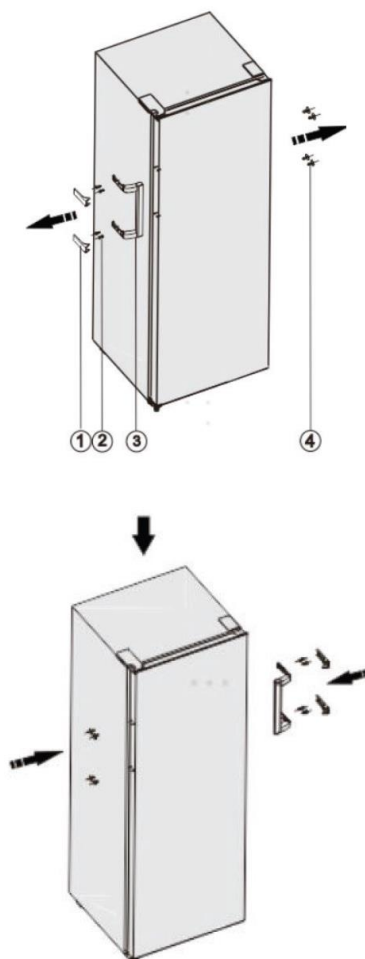
8. Поставете капачката на мястото ѝ, като вкарате оста на горната панта в отвора на горната част на вратата, след което я фиксирайте с двата винта.



9. Позиционирайте маскиращата капачка на отвора за винт и капачката на горната панта (лява), както е показано на схемата по-долу.



10. Преместете дръжките от ляво надясно (само при модела с дръжки).



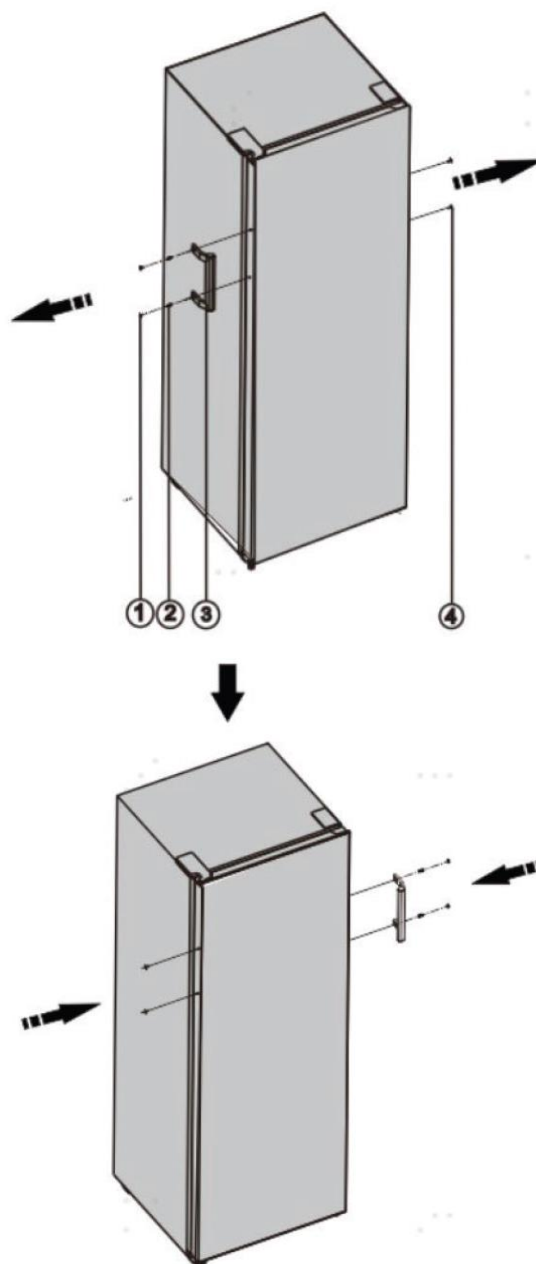
1 – Капачка на дръжката

2 – Винт

3 – Дръжка

4 – Маскираща капачка

Забележка: Поради непрекъснатите промени в продуктите, дръжката може да е малко по-различна от описаната в това ръководство за употреба, но функциите и начинът на употреба остават същите. Преместете дръжката от лявата към дясната страна съгласно схемата по-долу.



- 1 – Капачка
- 2 – Винт
- 3 – Дръжка
- 4 – Маскираща капачка

Предупреждение!

Когато обръщате посоката за отваряне на вратата, уредът не трябва да бъде свързан към източника за захранване с електроенергия. За тази цел, изключете щепсела от източника за захранване с електроенергия.

XI. ОТСТРАНЯВАНЕ НА ПРОБЛЕМИ

Ако имате проблеми с уреда или се притеснявате, че не функционира правилно, може да извършите някои прости проверки, преди да поискате специализирана техническа помощ.

Предупреждение! Не се опитвайте да ремонтирате уреда сами. Ако проблемът продължава след извършване на посочените по-долу проверки, свържете се с квалифициран електротехник, с оторизиран техник или с магазина, откъдето сте закупили продукта.

Проблем	Вероятна причина и решение
Уредът не функционира правилно.	Уверете се, че щепселът е включен по съответстващ начин в електрическия контакт.
	Проверете предпазителя или захранващата верига; ако е необходимо, сменете предпазителя.
	Нормално е уредът да не функционира по време на автоматичния цикъл на размразяване или за кратко време след включване, за да се защитава компресора.
Отделенията излъчват неприятни миризми.	Може да се налага почистване на вътрешната част на уреда.
	Някои храни, съдове или опаковки излъчват миризми.
Уредът образува шумове.	Изброените по-долу шумове са нормални:
	- Шумове, причинени от функционирането на компресора.
	- Шумове, предизвикани от въздушното течение, произхождащо от вентилатора, в отделението за замразяване или в други отделения.
	- Шумолене, подобно на шума, който се образува от водата.
	- Пукане по време на автоматичното размразяване.
	- Тракания преди включване на компресора.
	Други необичайни шумове могат да имат една от причините по-долу и може да се налага предприемането на мерки:
	- Уредът не е нивелиран.
	- Задната страна на уреда се допира до стената.
- Бутилките или съдовете падат или се претъркулват.	
Моторът функционира непрекъснато.	Нормално е звукът, причинен от функционирането на мотора, да се чува често, т.к. функционира по-дълго време в следните случаи:
	- Температурата е настроена на по-ниска стойност отколкото е необходимо.
	- Неотдавна, в уреда е поставено голямо количество храни.
	- Температурата във външната част на уреда е твърде висока.

	<p>- Вратите са оставени отворени твърде дълго време или се отварят твърде често.</p> <p>- След инсталиране на уреда или след като е изключен за дълго време.</p>
Образува се леден слой в отделението.	Уверете се, че отворите за извеждане на въздуха не да блокирани от храни и че храните са поставени по съответстващ начин в отделенията и позволяват циркулацията на въздуха. Уверете се, че вратата е затворена добре. За съвети относно отстраняването на леда, моля вижте раздела за почистване и поддръжка.
Температурата във вътрешната част на уреда е твърде висока.	Възможно е да сте оставили вратите отворени твърде дълго време или да сте ги отваряли твърде често; или има препятствия при затварянето на вратите; или не сте оставили достатъчно пространство в страничните части на уреда, в задната или горната му част.
Температурата във вътрешната част на уреда е твърде ниска.	Увеличете температурата, като следвате инструкциите от раздела за настройка на температурата.
Вратите не могат да се затварят с лекота.	Проверете дали някой вътрешен предмет не възпрепятства затварянето на вратите или дали горната страна на хладилника е наклонена назад с 10-15 мм, за да се позволява на вратите да се затварят сами.

XII. ИЗХВЪРЛЯНЕ НА ПРОДУКТА

Забранява се изхвърлянето на този уред заедно с битовите отпадъци.

Опаковъчни материали

Материалите, маркирани със символа за рециклиране, могат да се рециклират. Изхвърляйте опаковките в специални контейнери, предназначени за рециклиране.

Преди изхвърляне на уреда

1. Изключете щепсела от източника за захранване с енергия.
2. Отрежете захранващия кабел и изхвърлете го заедно със щепсела.

Предупреждение! Хладилниците съдържат хладилен агент и изолационни газове. Хладилният агент и газовете трябва да бъдат обезвредени по съответстващ начин, защото могат да предизвикат очни наранявания или могат да се запалят.

СЕРВИЗ И ОБСЛУЖВАНЕ НА КЛИЕНТИ

Използвайте само оригинални резервни части.

Когато се свързвате с нашия оторизиран сервизен център, уверете се, че имате под ръка следната информация: Наименование на модела и сериен номер.

Информацията може да бъде намерена на табелката с технически данни. Те подлежат на промяна без предварително уведомление.

ТЕХНИЧЕСКИ ДАННИ

Техническата информация се намира на табелката с технически данни на уреда и на енергийния етикет.

QR кодът на енергийния етикет, предоставен заедно с уреда, предлага уеб връзка към информацията в базата данни на EPREL относно постиженията на уреда.

Запазете енергийния етикет за бъдещи справки, заедно с ръководството за употреба и с всички други документи, предоставени заедно с този уред.

Също така, можете да намерите същата информация в базата данни на EPREL, като използвате връзката <https://eprel.ec.europa.eu> и наименованието на модела и серийния номер на продукта, които можете да намерите на табелката с технически данни на уреда.

За достъп до информация за вашия продукт в портала EPREL можете да сканирате кодовете по-долу:

HFF-N240NFF+



HFF-N240NFXF+



Благодарим ви, че закупихте този продукт! Ако имате нужда от помощ във връзка с вашия продукт, посетете нашия уебсайт, като използвате връзките по-долу:

Получете ръководства за употреба: <https://www.heinner.ro>

Получете информация относно ремонтите: <https://www.heinner.ro>



Изхвърляне на отпадъците по начин, отговорен за околната среда

Можете да помогнете за опазването на околната среда!

Моля спазвайте местните разпоредби: Предайте нефункциониращото електрическо оборудване на център за събиране на отпадъци от електрическо оборудване.



HEINNER е регистрирана марка на компанията **Network One Distribution SRL**. Останалите търговски марки и наименованията на продуктите са търговски марки или регистрирани търговски марки на съответните им притежатели.

Нито една част от спецификациите не може да бъде възпроизвеждана под каквато и да е форма или средство, или използвана за получаване на производни като преводи, трансформации или адаптации, без предварителното съгласие на компанията NETWORK ONE DISTRIBUTION.

Copyright © 2013 Network One Distribution. Всички права запазени.

www.heinner.com, <http://www.nod.ro>

<http://www.heinner.com>, <http://www.nod.ro>



Този продукт е проектиран и произведен в съответствие със стандартите и нормите на Европейската общност.

Вносител: **Network One Distribution**

ул. Марчел Янку № 3-5, Букурещ, Румъния

Tel: +40 21 211 18 56, www.heinner.com, www.nod.ro

HEINNER

FAGYASZTÓ

Modell:

HFF-N240NFF+/HFF-N240NFXF+



- Fagyasztó
- Energia hatékonysági osztály: F
- Teljes űrtartalom: 240 L

Köszönjük, hogy ezt a terméket választotta!

I. BEVEZETÉS

Kérjük, figyelmesen olvassa el az utasításokat, és őrizze meg a kézikönyvet későbbi tanulmányozás céljából.

A kézikönyv célja a készülék beszerelésével, használatával és karbantartásával kapcsolatos minden szükséges tudnivalót rendelkezésére bocsátani. A készülék helyes és biztonságos használata érdekében, kérjük, hogy beszerelés és használat előtt olvassa el figyelmesen a használati kézikönyvet.

II. AZ ÖN CSOMAGJÁNAK TARTALMA



- **Fagyasztó**
- **Használati kézikönyv**
- **Garancia tanúsítvány**

III. BIZTONSÁGI FIGYELMEZTETÉSEK

Az ön biztonsága és a helyes használat érdekében a készülék felállítása és első használata előtt olvassa el figyelmesen a felhasználó kézikönyvét, az ajánlásokkal és figyelmeztetésekkel együtt. A fölösleges tévedések és balesetek elkerülése érdekében fontos meggyőződni arról, hogy minden személy, aki a készüléket használja, ismeri a biztonságos működés módját és a biztonsági intézkedéseket. Őrizze meg ezt a kézikönyvet, és gondoskodjon arról, hogy a készülékkel együtt maradjon, ha azt elköltöztetnék vagy eladnák, s ily módon bárki használná az élettartama alatt, megfelelőképpen tájékozódhasson a használatáról és a szükséges biztonsági intézkedésekről.

Életének és vagyonának biztonsága érdekében tartsa be a használati kézikönyv előírásait, mivel a mulasztásokból származó károkért a gyártó nem felel.

Az EN szabványnak megfelelően:

A készüléket 8 év fölötti gyermekek, csökkent fizikai, érzéki vagy szellemi képességekkel, gyakorlattal vagy ismeretekkel rendelkezők csak akkor használhatják, ha felügyelik, vagy felkészítik őket a készülék biztonságos használatára, és ha megértik a készülék használatával járó veszélyeket. Tilos gyermekeknek játszani a készülékkel. A készülék tisztítását és karbantartását nem végezhetik gyermekek felügyelet nélkül.

Az IEC szabványnak megfelelően:

A készülék nem használható csökkent értelmi, érzékszervi, vagy fizikai képességű személyek által (gyermeket is beleértve), vagy olyanok által, akik nem rendelkeznek a kellő mennyiségű tudással és tapasztalattal, csak felügyelet mellett, vagy ha a felügyeletért és a biztonságukért felelős személy megtanította őket a helyes használatra.

- A gyerekek esetében állandó felügyelet szükséges, ne engedje, hogy a készülékkel játszanak.
- A csomagolást tartsa gyermekektől elzárt helyen. Vigyázat, fulladásveszély!
- Hogy elkerülje a gyerekek bezáródását a készülék belsejébe, vagy áramütés elszívését, mielőtt kidobná a készüléket, húzza ki az aljzatból, vágja le az áramellátó kábelt (minél közelebb a készülékhez) és szerelje le a készülék ajtaját.
- Ha ez a mágneses ajtóval ellátott készülék, olyan régi készüléket helyettesít, amelynek ajtója, vagy fedele rugóval (retesszel) működik, mielőtt kidobná, bizonyosodjon meg, hogy a rugós rendszer használhatatlan. Így megelőzi, hogy a gyermekek bezáródjanak az eldobott hűtőszekrénybe.

Általános biztonsági intézkedések

FIGYELMEZTETÉS - Ezt a készüléket lakásokban és más hasonló egységekben való használatra gyártották:

- üzletek, irodák és más munkahelyek személyzetének konyhája;
- háztartási és szállodák, motelek és más hasonló tartózkodási hely típusú környezet;
- reggelit is felszolgáló panzió típusú környezet;
- catering típusú és ehhez hasonló, nem kereskedelmi alkalmazások.

FIGYELMEZTETÉS - Ne tároljon a készülékben robbanó anyagokat, mint például aeroszolos gyúlékony üzemanyagot tartalmazó sprayeket.

FIGYELMEZTETÉS - A veszély elkerülése érdekében, amennyiben a tápkábel sérült, ezt ki kell cseréltetni a gyártó, a gyártó szervizügynöke, vagy hasonló szakképesítéssel rendelkező személy által.

FIGYELMEZTETÉS - Ellenőrizze, hogy a hűtőszekrény szellőzőnyílásai szabadon álljanak.

FIGYELMEZTETÉS - Leolvasztáshoz kizárólag a gyártó által ajánlott módszereket használja, ne használjon gépi vagy más eszközt a leolvasztás gyorsítására.

FIGYELMEZTETÉS - Ne sértse meg a hűtőfolyadék keringési rendszerét.

FIGYELMEZTETÉS - Ne használjon elektromos eszközöket készülék élelmiszertároló rekeszeiben, kivéve, ha azok a gyártó által ajánlott típusba tartoznak.

FIGYELMEZTETÉS - A hűtőanyag és a szigetelőgáz gyúlékony. A készüléket csak hivatalos hulladékgyűjtő központba vigye kiselejtezéskor. Ne égesse el a készüléket.

FIGYELMEZTETÉS - A berendezés elhelyezése során figyeljen arra, hogy a tápkábelt ne nyomja össze és ne rongálja meg.

FIGYELMEZTETÉS - Ne helyezzen a berendezés mögé elosztókat vagy hordozható áramforrásokat.

Égők cseréje

FIGYELMEZTETÉS - Az égőket ne a felhasználó cserélje ki! Amennyiben az égők meghibásodnak, cseréjük érdekében forduljon szakképzett személyekhez. Ez a figyelmeztetés csak az égőkkel felszerelt hűtőkre vonatkozik.

Hűtőfolyadék

A készülék hűtőfolyadék rendszere R600a (izobután) hűtőfolyadékot tartalmaz, amely egy természetes gáz, magas szintű környezeti kompatibilitással, de gyúlékony. Győződjön meg, hogy szállítás és felállítás idején a hűtőfolyadék keringési rendszerének egyetlen eleme sem rongálódott meg.

A hűtőfolyadék (R600a) gyúlékony.

FIGYELMEZTETÉS - A hűtőszekrények hideghordozó közeget és veszélyes gázakat tartalmaznak. A hideghordozó közeget és a gázakat megfelelő módon kell eltávolítani, mert ezek szemsérüléseket okozhatnak vagy meggyúlnak. A készülék mozgatása előtt győződjön meg róla, hogy a hűtőkör csövezete nem sérült.

A készülék javítása az arra felhatalmazott személyeken kívül bárki számára veszélyes.



Figyelem! Tűzveszély!

A mélyhűtő körfolyam meghibásodása esetén:

- Kerülje a nyílt láng használatát és a tűzforrásokat.
- Alaposan szellőztesse ki a helyiséget, amelyben a készülék található.

A készülék jellegzetességeinek bármely megváltoztatása vagy módosítása veszélyes. A tápkábel bármely megrongálódása rövidzárlatot, tüzet és/vagy áramütést okozhat.

Elektromos biztonság

1. Ne hosszabbítsa meg a tápkábelt.
2. Győződjön meg, hogy a dugó nem zúzódott össze és nem rongálódott meg. Az összezúzott vagy megrongálódott dugó túlhevülhet, és kigyulladhat.

3. Győződjön meg, hogy mindig hozzáférhet a tápkábelhez.
4. Ne rángassa a tápkábelt.
5. Ha meglazult az aljzat, amelybe a dugót be kell dugni, ne használja. Áramütés- és tűzveszély léphet fel.
6. A készüléket ne használja, ha a hűtőteret világító izzólámpa nem működik.
7. A berendezés csak 220~240V/50Hz, egyfázisú váltóáramú hálózatról működtethető. Amennyiben a felhasználó lakhelyén a feszültség értéke nem esik a fenti feszültség tartományba, a biztonsági előírásoknak való megfelelés céljából egy automata 350 W-nál nagyobb teljesítményű AC feszültségszabályozó berendezés használatát javasoljuk. A berendezést külön aljzatról kell működtetni, nem olyanról, amelyhez már más elektromos berendezések is csatlakoznak. A dugasznak kompatibilisnek kell lennie a földeléses aljzattal.

Mindennapos használat

- A készülékben ne tároljon gyúlékony gázokat vagy folyadékokat. Robbanásveszély!
- A készülék belsejében ne használjon elektromos készülékeket (pl. elektromos fagylaltgépet vagy mixert stb.)
- Ha ki akarja húzni a konnektorból, mindig a dugót fogja, ne rángassa a kábelt.
- A készülék műanyag komponensei mellé ne helyezzen forró tárgyakat.
- Ne helyezzen élelmiszereket a légelvezető nyílás közvetlen közelébe, amely a berendezés belsejében, annak hátsó falán található.
- A fagyott élelmiszert az élelmiszergyártó utasításainak megfelelően előcsomagolva tárolja.
- Szigorúan tartsa be a készülék gyártójának a tárolásra vonatkozó ajánlásait. Tanulmányozza a tárolásra vonatkozó utasításokat.
- A mélyhűtőben ne tároljon szénsavas italokat, mivel ez túlnyomást gyakorol az edényre, amely emiatt elrobbanhat, és megrongálhatja a készüléket.
- A fagyasztott élelmiszerek fagyási sérülést okozhatnak, ha közvetlenül a mélyhűtőből kivéve fogyasztja.
- Ne tegye ki a készüléket közvetlen napsugaraknak.
- A gyertyákat, a nyílt lángú lámpákat és egyéb készülékeket tartsa minél távolabb a készüléktől, hogy ne gyúljon meg.
- A készüléket szokványos háztartásban élelmiszerek és/vagy italok tárolására gyártották, amint ezt ez a használati kézikönyv előírja. Legyen óvatos a készülék mozgatásakor, mivel nehéz.
- Ne nyúljon nedves/vizes kézzel a fagyasztott termékekhez, mert fagyégési sebeket, vagy bőrkárosodást szenvedhet.
- Sose ne használja a fiókokat, az ajtókat stb. arra a célra, hogy ráálljon vagy posztamensként.
- A kiolvasztott élelmiszereket ne fagyassza le újra.

- Ne fogyasszon fagyaltot vagy jégkockát közvetlenül a mélyhűtőből, mert előidézhetheti a száj és az ajkak fagyási sérülését.
- A tárgyak leesését, illetve a személyi sérüléseket vagy a berendezés megrongálódását elkerülendő, ne terhelje túl az ajtón található polcokat, továbbá ne helyezzen túl sok élelmiszert a zöldség és gyümölcs tárolására alkalmas fiókokba.
- Ez a hűtőszekrény nem használható beépített készülékként.
- A 3 éves kort betöltött gyermekek kivehetnek és betehetnek élelmiszereket a hűtőszekrénybe.

Tisztítás és karbantartás

- A karbantartási műveletek előtt kapcsolja ki a készüléket és húzza ki az aljzatból a dugót.
- Ne tisztítsa a készüléket fémtárgyakkal, gőzzel működő tisztító készülékekkel, illó olajokkal, szerves oldószerekkel vagy súrló hatású porokkal.
- A készülékről a jég eltávolításához műanyag kaparót használjon, ne éles tárgyat.

Üzembe helyezés

- A berendezésnek az elektromos hálózatra való csatlakoztatása során szigorúan kövesse jelen kézikönyv erre vonatkozó utasításait. Csomagolja ki a készüléket, ellenőrizze, hogy nem sérült-e a szállítás során.
- Ha a készülék sérült, ne csatlakoztassa az áramforráshoz. Ha a készülék sérült, az esetleges sérüléseket jelentse azonnal a forgalmazónak, ahonnan a készüléket vásárolta. Ebben az esetben őrizze meg a csomagolást.
- Javasoljuk, hogy a készülék villamos hálózatra csatlakoztatása előtt várjon legalább négy órát, hogy az olaj folyjon vissza a kompresszorba.
- A készülék körül a levegőnek szabadon kell keringenie; szellőzés hiányában a készülék túlhevülhet. A megfelelő szellőzés érdekében tartsa be a szerelési utasításokat.
- A berendezés hátsó része ne legyen túlságosan közel a falhoz, hogy elkerülhető legyen az érintkezés a felforrósodó alkatrészekkel, illetve ezek becsípődése (kompresszor). A balesetek kockázatának elkerülése érdekében kövesse figyelmesen a berendezés üzembe helyezésére vonatkozó utasításokat.
- A készüléket ne helyezze fűtőtestek vagy tűzhelyek közelébe.
- Győződjön meg, hogy a dugóhoz a készülék beszerelését követően is hozzá lehet férni.

Javítások

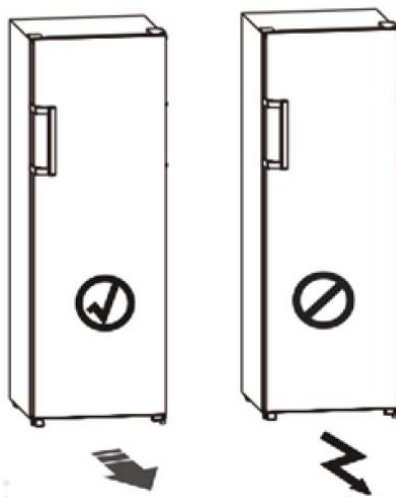
- A készülék javításával kapcsolatos elektromos munkálatokat szakképzett villanyszerelőnek vagy szakmailag illetékes személynek kell elvégeznie.
 - A készüléket engedélyezett szervizben kell javíttatni, és kizárólag eredeti pótalkatrészeket kell használni.
- 1) Ha a készülék rendelkezik Frost Free rendszerrel.
 - 2) Ha a készülék rendelkezik fagyasztótérrel.

IV. A KÉSZÜLÉK ÜZEMBE HELYEZÉSE

A készülék használatba állítása előtt, kérjük, olvassa el az alábbi javaslatokat.

Figyelmeztetés!

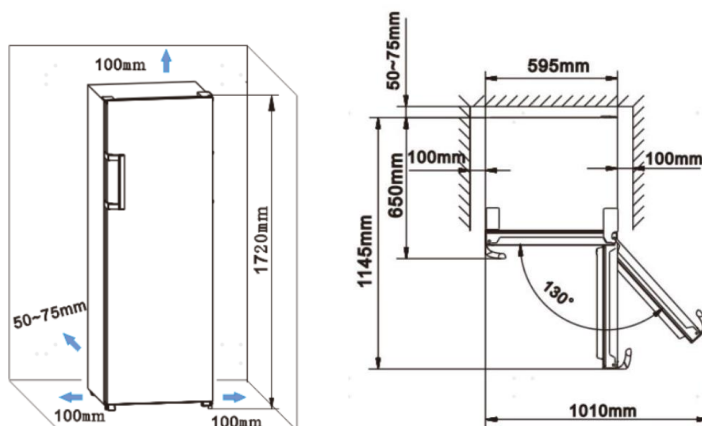
A megfelelő felszerelés érdekében ezt a terméket a padló további részével azonos szintű vízszintes és kemény felületre kell helyezni. Ezen felületek szilárdsága lehetővé kell tegye a teljesen feltöltött készülék súlyának megtartását. A készüléknek görgői vannak, nem kerekei. Ezeket csak előre- vagy hátrafelé történő mozgásra szabad használni. A készülék oldalirányú mozgatása károsíthatja a padlót és a görgőket.



A készülék szellőztetése

A hatékony gyorsfagyasztáshoz és az alacsony energiafogyasztáshoz, a hő elosztásának elősegítése érdekében fontos a készülék körüli megfelelő szellőzésnek a biztosítása. Ennek érdekében hagyjon elég szabad helyet a készülék körül.

Ajánlás: Azt ajánljuk, hogy hagyjon 50-70 mm távolságot a készülék hátoldala és a fal között, legalább 100 mm a készülék felső és legalább 100 mm aoldalsó részeinél, valamint szabad helyet a készülék előtt, mely lehetővé teszi az ajtó 130°-ban történő kinyitását. Tanulmányozza az alábbi ábrákat:



Megjegyzés:

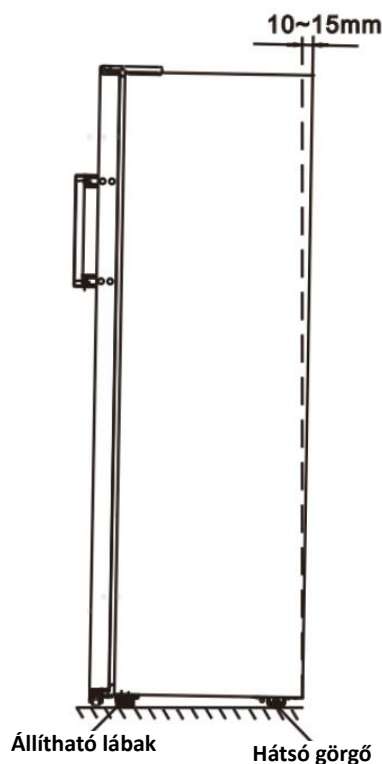
- Ez a készülék az alábbi táblázatban feltüntetett SN-T klímaosztályokon működik megfelelően. Megtörténhet, hogy a hűtőszekrény nem működik megfelelőképpen, ha hosszabb ideig a megjelölt értékek alatti vagy feletti hőmérsékletű környezetben van.

Klímaosztály	Környezeti hőmérséklet
SN	+10°C-tól +32°C-ig
N	+16°C-tól +32°C-ig
ST	+16°C-tól +38°C-ig
T	+16°C-tól +43°C-ig

- A készüléket száraz, nedvességtől mentes helyre állítsa üzembe.
- A készüléket ne tegye ki a nap sugarainak, esőnek vagy fagynak. Készülékét helyezze minél távolabb a hőforrásoktól: kályháktól, fűtőtestektől.

A készülék kiegyensúlyozása

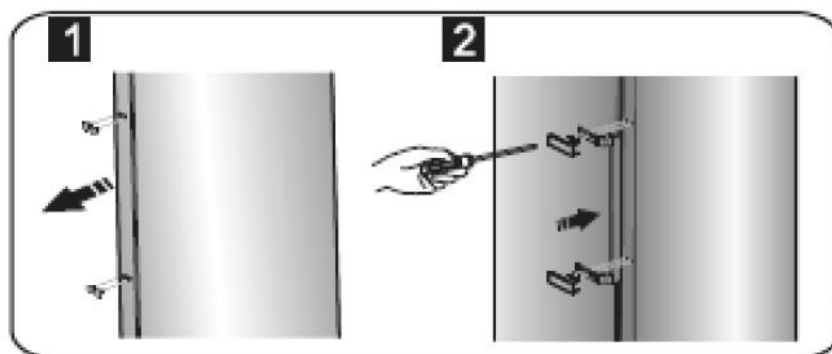
- A készülék megfelelő kiegyensúlyozásához, illetve a készülék mögötti térben a levegő megfelelő áramlásához szükséges lehet a készülék lábainak beállítása. A hűtőszekrény lábainak beállítása elvégezhető kézzel is vagy egy megfelelő kulccsal.
- Annak érdekében, hogy az ajtók maguktól becsukódjanak, döntse meg a készüléket hátrafele hozzávetőlegesen 10-15 mm-re.



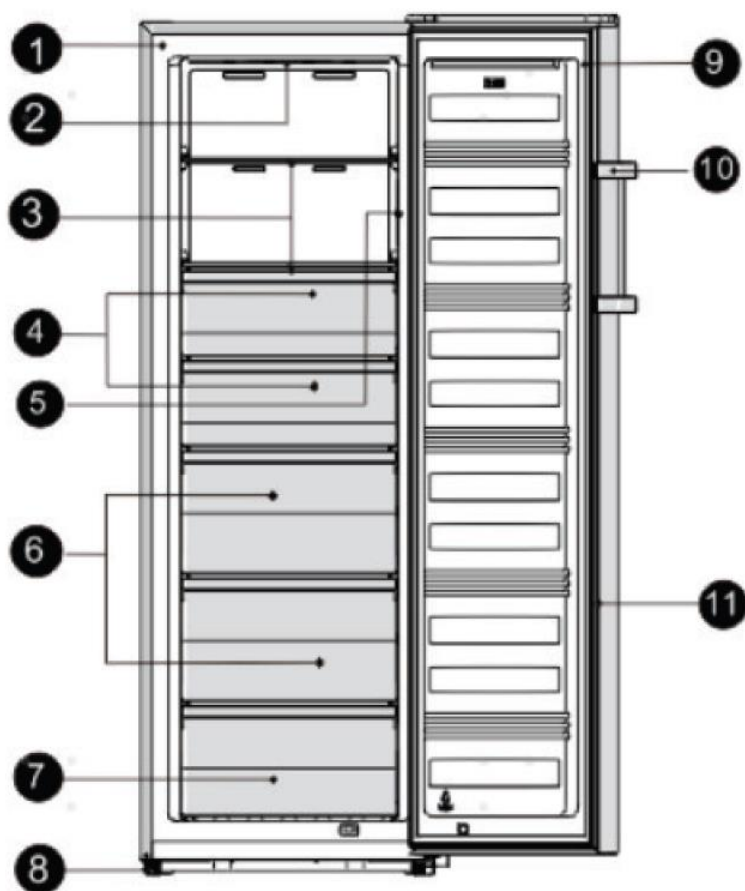
A fogantyúk felszerelése

A szállítás megkönnyítése érdekében az ajtók fogantyúi külön lettek becsomagolva egy műanyag zacskóba; a fogantyúkat a következőképpen szerelheti fel:

1. Távolítsa el az ajtó bal oldalán lévő csavaros kupakokat, majd tegye őket a műanyag zacskóba.
2. Illessze a fogantyút az ajtó bal oldalára, igazítsa a fogantyú csavarfuratait az ajtón lévő furatokhoz, ahogy az a képen látható.
3. Rögzítse a fogantyúkat a műanyag zacskóban levő speciális csavarok segítségével.



V. A KÉSZÜLÉK LEÍRÁSA



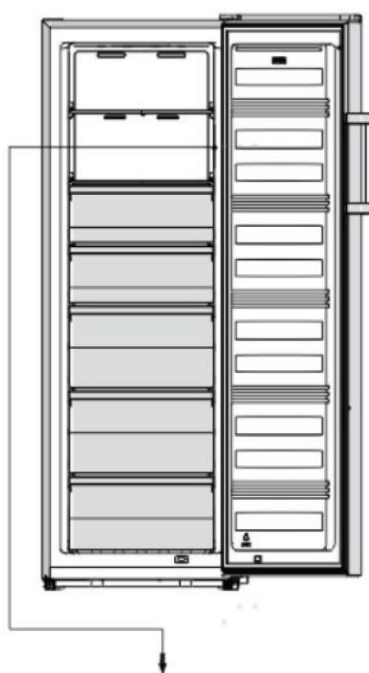
1. Burkolat	7. Alsó fiók
2. LED-es lámpa	8. Állítható lábak
3. Üvegpolc	9. Fagyasztó ajtó
4. Felső fiókok	10. Fogantyú
5. Kijelző	11. Fagyasztó ajtó tömítés
6. Középső fiókok	

A termék folyamatos módosításából adódóan az Ön készüléke kissé eltérhet a jelen használati útmutatóban leírttól, azonban a funkciók és a használati mód azonosak maradnak. A termék hatékony működésének érdekében, kérjük, helyezze a polcokat, tartókat és kosarakat a fenti képen kijelölt helyekre.

VI. VEZÉRLŐPANEL

Íranyítsa a készülékét az alábbi ábrákon látható kezelőfelület segítségével, amely lehetővé teszi, hogy beállítsa készüléke működésének módját. Amikor a készüléket először indítsa el, a kezelőfelület kijelzőjén a piktogramok háttérvilágítása működésbe jön. Abban az esetben, ha egyik gombot se nyomta meg és az ajtók is zárva vannak, a háttérvilágítás kialszik.

Belső vezérlőpanel



Hőmérséklet szabályzás


Az élelmiszerek optimális megőrzése érdekében javasoljuk, hogy a fagyasztó első indításakor a hőmérsékletet -18°C -ra (0°F) állítsa be. Ha meg kívánja változtatni a hőmérsékletet, kövesse az alábbi utasításokat.

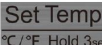
Figyelem!


A hőmérséklet beállításakor állítson be egy átlaghőmérsékletet az egész fagyasztóra. A különböző fiókok és alegységek hőmérséklete különbözhet a kijelzőn megjelenő hőmérséklettől a hűtő részben levő élelmiszerek mennyisége és azok elhelyezése függvényében. Ugyanakkor a külső környezeti hőmérsékleti hatások befolyásolhatják a hűtőszekrény belsejében levő tényleges hőmérsékletet.

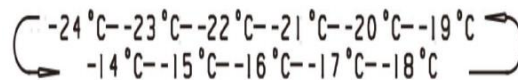
Megjegyzés: A magas hőmérsékletre való beállítás felgyorsíthatja az élelmiszerek romlását.

Hőmérséklet

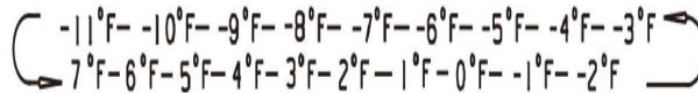
Ha a kezelőpanel ki van nyitva, a  3 másodpercig tartó lenyomásával a kijelző

módját $^{\circ}\text{C}$ -ról $^{\circ}\text{F}$ -ra válthatjuk. Ha a kezelőpanel fel van oldva, nyomja meg a  gombot,

és amikor a  kijelző világít, a fagyasztó hőmérséklete -14°C és -24°C között állítható be.



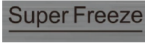

Amikor a  kijelző világít, a fagyasztó hőmérséklete 7°F és -11°F között állítható be.

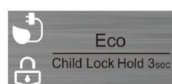


Super freeze Super Freeze

A „Super Freeze” funkció gyorsan csökkenti a mélyhűtő rész hőmérsékletét, így lehetővé válik az élelmiszerek gyorsabb fagyasztása.

Ez a funkció segít abban is, hogy a vitaminok és tápanyagok hosszabb ideig megmaradjanak a friss élelmiszerekben.

- Feloldott műszerfal esetén a „Super Freeze” funkció aktiválásához nyomja meg a  gombot. A „Super Freeze” piktogram kigyúl, a hőmérséklet pedig -24°C -ra (-11°F) van beállítva.
- Friss élelmiszerek lefagyasztásához aktiválja a „Super Freeze” funkciót legalább 24 órával az élelmiszerek fagyasztóba helyezése előtt.
- A „Super Freeze” funkció körülbelül 52 óra elteltével automatikusan kikapcsol.
- Ha a „Super Freeze” funkció aktív, és a kezelőpanel nincs lezárva, a  gomb megnyomásával kikapcsolhatja, és a fagyasztási hőmérséklet visszatér az előző beállításra.


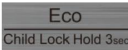




Eco

Ha hosszabb ideig távol lesz, aktiválhatja az „Eco” funkciót, hogy áramot takarítson meg.

- Feloldott műszerfal esetén, nyomja meg az Atunci când panoul de comandă este deblocat, apăsați pe butonul az „Eco” üzemmód aktiválásához nyomja meg az „Eco” gombot. Az „Eco” piktogram kigyúl, a hőmérséklet pedig -17 °C-ra (1°F) van beállítva.
- Ha az „Eco” funkció aktív és a kezelőpanel nincs lezárva, akkor az Eco gomb megnyomásával kikapcsolhatja azt. A fagyasztó hőmérséklete visszatér a korábbi beállításra.

Gyermekek általi működtetés elleni védelem


- Ha a  kijelző világít, a kezelőpanel zárolva van. Nyomja meg és tartsa lenyomva a  gombot 3 másodpercig. A  kijelző kialszik, és a kezelőpanel feloldódik. A gombok most már aktívak.
- Ha 20 másodpercig nem nyomják meg a gombot, a  kijelző kigyullad.

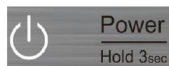
Riasztó

• Alarm

Ha ez a funkció aktiválódik, az  ikon villog és a készülék hangjelzést ad.


Figyelmeztetés az ajtó kinyitásával kapcsolatban

- Ha az ajtó több mint 2 percig nyitva marad, a készülék hangjelzést ad, és a kijelzőn megjelenik a „dr” ikon. A hangjelzés 1 perces időközönként 3 alkalommal szólal meg.
- A 10 perces időkorlát túllépésekor a hangjelzés megszűnik, az  ikon kialszik, és a kijelző visszatér a normál állapotba. A figyelmeztető hangjelzés az ajtó becsukásával kikapcsolható.
- A készülék működése alatti energia megtakarítás érdekében kérjük, ne hagyja hosszú ideig nyitva a készülék ajtaját.




Tápegység

Tartsa lenyomva a bekapcsológombot 3 másodpercig a készülék be- vagy kikapcsolásához.

- Ha a készülék üzemben van, és a kezelőpanel nincs lezárva, a készüléket a bekapcsológomb 3 másodperces megnyomásával lehet kikapcsolni. A  kijelző kigyullad, és a kijelzőn megjelenik a „-”.

Fontos! Ebben az időszakban ne tároljon élelmiszert a készülékben.

- Ha a készülék készenléti állapotban van, és a kezelőpanel ki van nyitva, nyomja meg és tartsa lenyomva a bekapcsológombot 3 másodpercig. A  kijelző elalszik, a készülék elindul, és a kijelző visszatér a normál állapotba.

Megjegyzés: A vezérlőgombok csak akkor aktívak, ha a vezérlőpanel nincs zárva.

VII. AZ ÖN KÉSZÜLÉKÉNEK HASZNÁLATA

Az Ön készüléke a „Termék leírása” c. fejezetben felsorolt tartozékokkal rendelkezik. Általában az alábbi segédlet elégséges ahhoz, hogy helyesen használjuk a tartozékokat. A készülék használata előtt kérjük, olvassa el a következő utasításokat.

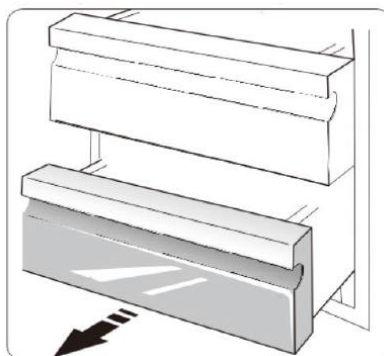
A fagyasztó részleg polcai

A hűtő rész polcai kivehetőek annak érdekében, hogy könnyen tisztíthatóak legyenek.



A mélyhűtő fiókja

Ezt a fiókot a fagyasztást igénylő élelmiszerek tárolására használhatjuk, ide értve a húst, halat, jégkrémet stb.



VIII. TISZTÍTÁS ÉS GONDOZÁS

Higiéniai okokból a készüléket (ide értve a külső és belső tartozékait is) rendszeresen tisztítani kell, legkevesebb kéthavonta egyszer.

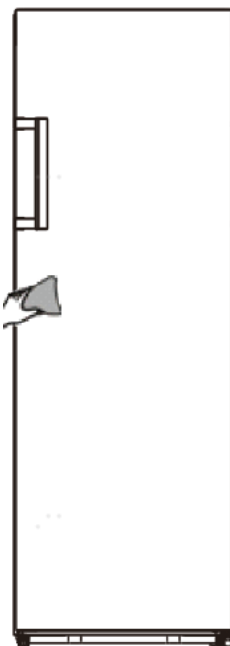
Figyelmeztetés!

Tisztítás közben a készüléket mindenképpen áramtalanítani kell, az áramütés elkerülése érdekében. A karbantartási műveletek előtt kapcsolja ki a készüléket és húzza ki az aljzatból a dugót.

A készülék külsejének tisztítása

Törölje meg a vezérlőpanelt egy enyhén megnedvesített, puha törülkövel.

- Szórjon vizet a törülköendőre és ne közvetlenül a készülék felületére. Ez a módszer segít a felületeken egyenletesen elosztani a nedvességet.
- Tisztítsa meg az ajtókat, fogantyúkat és a külső burkolatot egy finom tisztítószerrel, majd törölje le egy puha törülköendővel.

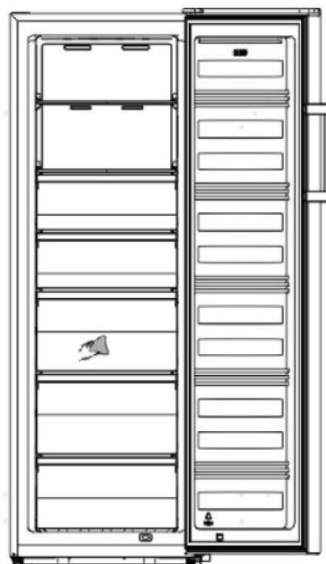


Figyelem!

- Ne használjon éles tárgyakat, mert ezek megkarcolhatják a felületeket.
- Ne használjon hígítót, autó-tisztítószerrel, klórt, illóolajakat, maró hatású vegyszereket vagy szerves oldószereket. Ezek megrongálhatják a készülék felületét és tüzet okozhatnak.

A készülék belsejének tisztítása

A készülék belsejét időközönként tisztítani kell. A készülék belső felét könnyebb olyankor takarítani, amikor nincs benne sok étel. Törölje át a készülék belső felületeit szódabikarbónás oldattal. Öblítse le meleg vízzel, használjon egy kicsavart szivacsot vagy rongyot. Törölje le a polcokat és fiókokat is mielőtt visszahelyezi őket a készülékbe. Jól töröljön le minden felületet és az eltávolítható tartozékokat is.



Figyelem!

Ne használjon éles tárgyakat a fagyasztó rekeszben képződött jég eltávolításához. A készüléket az áramforráshoz akkor csatlakoztassa ismét, ha a belseje már teljesen száraz.

Az ajtó garnitúrák tisztítása

Az ajtó garnitúrákat igyekezzen tisztán megőrizni. A ragadós élelmiszerek és italok hozzáragaszthatják a garnitúrákat a vázhoz, így elszakadhatnak amikor az ajtót nyitja. Mossa le az ajtó tömítéseket enyhe tisztítószerrel és meleg vízzel. Tisztítás után öblítse le és jól törölje át az ajtó tömítéseit.

Figyelem!

A készüléket csak akkor kapcsoljuk ismét vissza az elektromos energiaforráshoz, amikor az ajtó tömítések teljes mértékben megszáradtak.

A LED égő cseréje

Ez a termék F energiahatékonysági osztályú fényforrást tartalmaz.

Figyelmeztetés: A LED égőt kizárólag szakképzett személy cserélheti ki! Ha a LED világítótest meghibásodott, forduljon szakemberhez. A LED világítótest cseréjéhez az alábbi lépéseket kell követni:

1. Húzza ki a készüléket a csatlakozóaljzattól.
2. Vegye le a lámpatest fedelét felfelé és kifelé irányú tolással.
3. Vegye le a lámpát úgy, hogy a zár megnyomásával húzza ki a lámpát.
4. Cserélje ki az égőt és rögzítse helyesen.

Kiolvasztás

A hűtőszekrény a léghűtés elvén alapul, ezért automatikus leolvasztási funkcióval rendelkezik.

IX. TIPPEK ÉS HASZNOS TANÁCSOK

Energiamegtakarítási tanácsok

Kövesse az alábbi tanácsokat az energiatakarékosság érdekében.

- Az energiatakarékos üzemmód megőrzése miatt kérjük, ne hagyja sok ideig nyitva a készülék ajtóit.
- Győződjön meg róla, hogy a készülék nem valamely hőforrás közelében lett felállítva (pl. direkt napsütés, elektromos sütő vagy gázkályha stb.).
- Ne állítsa a hűtőszekrény részlegeinek hőmérsékletét alacsonyabbra mint ahogyan az szükséges.
- Ne helyezzen be a készülékbe meleg ételt vagy párolgó folyadékot.
- A készüléket jól szellőző, nedvességtől mentes helyiségbe szerelje fel. Kérjük olvassa el a készülék beüzemeléséről szóló fejezetet.
- Ha a rajzon megfelelő a fiókok és polcok elhelyezése, ne rendezze át azokat, mert magasabb energiafogyasztást eredményezhet.

Javaslatok a mélyhűtéshez

- Az első indítás alkalmával vagy ha egy ideig a készülék használaton kívül volt, kapcsolja be, majd hagyja legalább 2 órát működni anélkül hogy élelmiszereket tenne bele.
- Készítsen elő kis adagú élelmiszereket, melyek gyorsan és teljes mértékben lefagyaszthatóak, így később könnyebb a szükséges mennyiséget kiolvasztani.
- Csomagolja az élelmiszereket alumínium vagy polietilén fóliába.
- Győződjön meg, hogy a friss, nem fagyasztott élelmiszerek nem érintkeznek a már mélyfagyasztott élelmiszerekkel, így elkerülheti ez utóbbi hőmérsékletének növekedését;
- Abban az esetben, ha a mélyfagyasztóból kivett élelmiszereket azonnal elfogyasztjuk, fagyási sérüléseket okozhatunk.
- Ajánlott felcímkézni és dátummal ellátni minden fagyasztott élelmiszer csomagot, így a tartósítási időt nyilvántarthatjuk.

Ajánlatok a fagyasztott élelmiszerek tárolására vonatkozóan

- Győződjön meg róla, hogy a fagyasztott élelmiszereket a kereskedők megfelelő módon tárolták.
- A kiolvasztás után az élelmiszerek gyorsan romlanak, és ezeket nem szabad újra fagyasztani; ne lépje túl az élelmiszer gyártó által megadott tárolási időt.

Annak érdekében, hogy az élelmiszerek ne romoljanak meg, tartsa be az alábbi utasításokat.

- Ha a készülék ajtója huzamos ideig nyitva van, akkor a készülék rekeszeiben a hőmérséklet jelentősen megnő.
- Tisztítsa rendszeresen azokat a felületeket, amelyekkel az élelmiszerek érintkezhetnek, valamint a készülék lefolyó rendszerét is.
- A nyers húst valamint a friss halat tárolja megfelelő edényekben, hogy ne érintkezzen más élelmiszerekkel.
- A két csillaggal jelölt fagyasztó a gyorsfagyasztott élelmiszerek tárolására, fagyalt készítésére vagy tárolására és jégkocka készítésére alkalmas.
- Az egy, két és három csillagos fagyasztó a friss ételek fagyasztására nem alkalmas.

Sorszám	Rekesz típusa	Javasolt tárolási hőmérséklet [°C]	Megfelelő élelmiszer
1	Hűtés	+2≤+6	Tojás, főtt ételek, csomagolt élelmiszer, gyümölcs és zöldség, tejtermék, a sütemények és italok fagyasztása nem megengedett.
2	(***)*-Fagyasztás	≤-18	A tenger gyümölcsei, hal, garnélarák, rákfélék, akvakultúra-termékek és a húsfélék fagyasztása javasolt (javasolt tárolási idő 3 hónap, a tárolási idő növekedésével fokozatosan veszítenek az ízükből és tápértékükből).
3	***-Fagyasztás	≤-18	A tenger gyümölcsei, hal, garnélarák, rákfélék, akvakultúra-termékek és a húsfélék fagyasztása nem javasolt (javasolt tárolási idő 3 hónap, a tárolási idő növekedésével fokozatosan veszítenek az ízükből és tápértékükből).
4	** - Fagyasztás	≤-12	A tenger gyümölcsei, hal, garnélarák, rákfélék, akvakultúra-termékek és a húsfélék fagyasztása nem javasolt (javasolt tárolási idő 2 hónap, a tárolási idő növekedésével fokozatosan veszítenek az ízükből és tápértékükből).
5	*-Fagyasztás	≤-6	A tenger gyümölcsei, hal, garnélarák, rákfélék, akvakultúra-termékek és a húsfélék fagyasztása nem javasolt (javasolt tárolási idő 1 hónap, a tárolási idő növekedésével fokozatosan veszítenek az ízükből és tápértékükből).
6	Csillag nélkül	-6≤0	Friss disznó-, borjú- és csirkehús, friss hal, különböző feldolgozott és csomagolt élelmiszerek stb. (javasolt azon a napon elfogyasztani, illetve legkésőbb három napon belül). Feldolgozott élelmiszerek, részben csomagolva (nem fagyasztható élelmiszerek).
7	Hűtés	-2≤+3	Friss/fagyasztott disznó, borjú, csirke hús, akvakultúra-termékek, stb. (ezeket az élelmiszereket legtöbb 7 napot lehet tárolni 0 °C alatti hőmérsékleten; 0 °C fölötti hőmérsékleten való tárolás esetén javasolt még aznap de legtöbb 2 napon belül elfogyasztani). Tenger gyümölcsei (ezeket az élelmiszereket 15 napot lehet tárolni 0 °C alatti hőmérsékleten, ezek tárolását nem javasolják 0 °C fölött).
8	Friss élelmiszerek	0≤+4	A friss disznó-, borjú-, csirkehús, főtt étel stb. (javasolt ugyanazon a napon vagy legkésőbb 3 napon belül elfogyasztani).
9	Bor	+5≤+20	Vörös bor, fehér bor, pezsgőbor stb.

Megjegyzés: Kérjük, tárolja az élelmiszereket a nekik megfelelő rekeszekben és a nekik megfelelő hőmérsékleten.

- Ha a fagyasztó készülék hosszú ideig üres, kapcsolja ki, takarítsa ki, törölje ki jól és hagyja az ajtóját nyitva, hogy megelőzze a penész keletkezését a készülék belsejében.

Figyelmeztetés! Csomagolja be az élelmiszereket tasakokba, és a folyadékokat palackokba vagy lefedett tárolóedényekbe, mielőtt behelyezné őket a hűtőszekrénybe, hogy elkerülje a szennyeződést a készülék belsejében.










A készülék kikapcsolása

Ha a készüléket hosszabb időre szeretnénk leállítani, az alábbi lépéseket be kell tartani a penészképződés megelőzése érdekében.

1. Vegyen ki minden élelmiszert a készülékből.
2. Húzza ki a készüléket a csatlakozóaljzatból.
3. Tisztítsa ki és szárítsa meg jól a készülék belsejét.
4. Győződjön meg róla, hogy az ajtók nyitva vannak, és nem akadályozzák a levegő keringését a készülék belsejében.

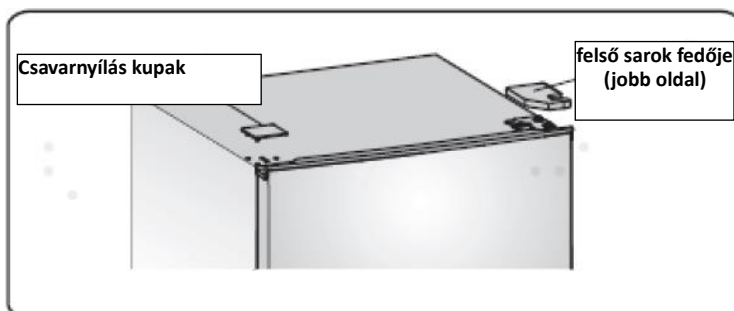
X. AZ AJTÓ NYITÁSI IRÁNYÁNAK MEGFORDÍTÁSA

Az ajtó nyitásának iránya megváltoztatható, áttérhetünk a gyárilag szerelt jobbra nyílásról a balra nyílásra, ha a készülék elhelyezése ezt megkívánja. A következő eszközökre lesz szüksége:

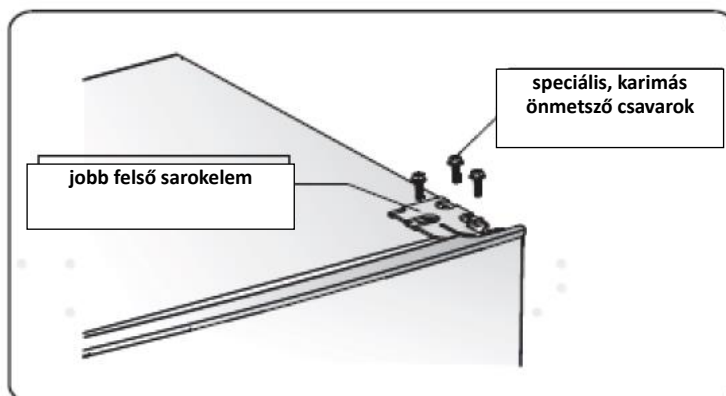
Nem tartozék		
		
8 mm-es csőkulcs	Lapos csavarhúzó	Spakni
		
Keresztfejű csavarhúzó	Franciakulcs	7 mm-es villáskulcs
Kiegészítő alkatrészek (műanyag zacskóba csomagolva)		
		
		Bal oldali csuklópánt
		
		Bal oldali zsanér fedője
		
		Jobb csavaros kupak

Megjegyzés: Mielőtt hozzálátna, annak érdekében, hogy a készülék aljához is hozzáférjen, fektesse a készüléket a hátára, de előtte tegyen alája polisztéren vagy más hasonló összetételű csomaglóanyagot, így elkerülhető, hogy megsérüljenek a készülék hátoldalán levő alkatrészek. Az ajtó nyílási irányának megváltoztatásához az alábbi lépések szerinti cselekvést ajánljuk:

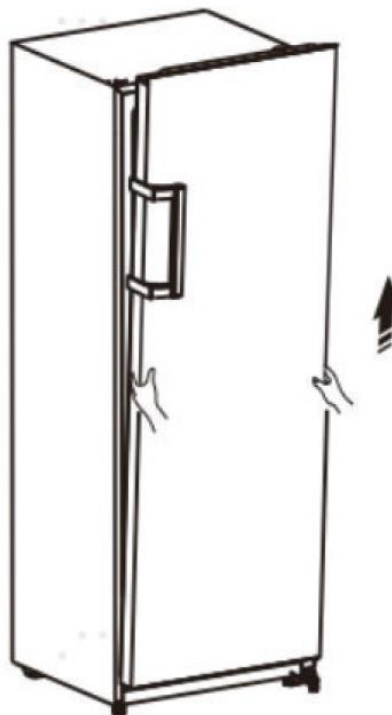
1. Helyezze a fagyasztót függőlegesen. Távolítsa el a csavarnyílások maszkolófedelét és a felső (jobb oldali) zsanérfedelelet az alábbi ábrán látható módon.



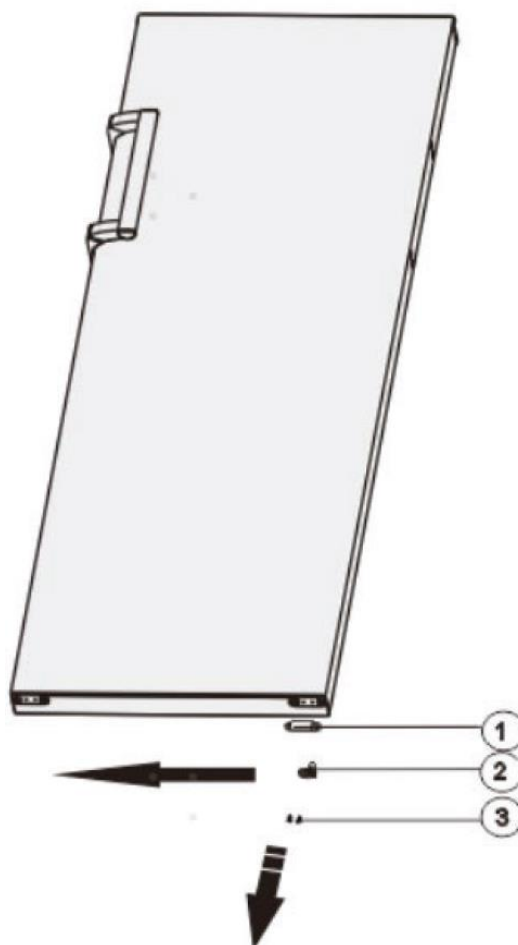
2. Távolítsa el a három csavart az alábbi ábrán látható módon. Emelje fel a jobb felső zsanért.



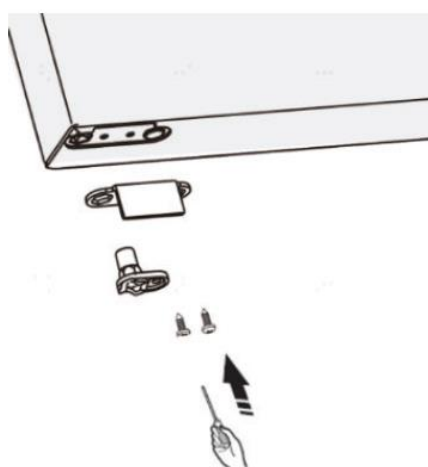
3. Emelje fel az ajtót, és helyezze puha felületre, hogy elkerülje a karcosodást.



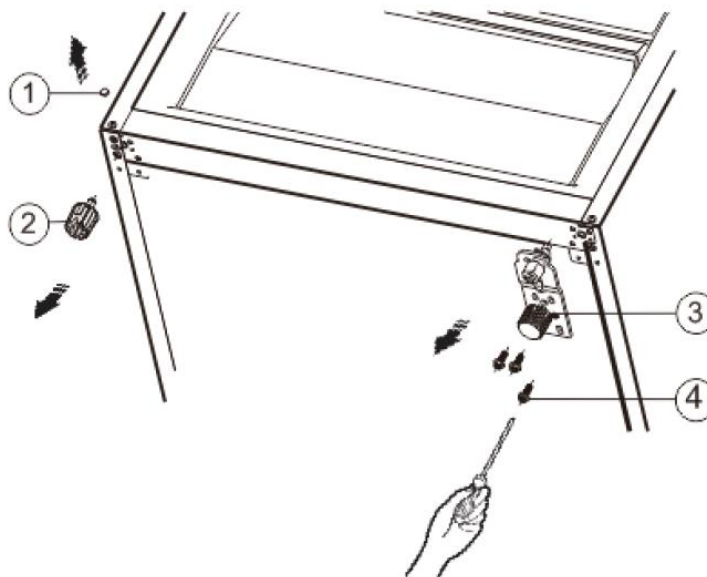
4. Lazítsa ki a 3. csavarokat, vegye ki az 1. és a 2. darabot, majd helyezze vissza őket a bal oldalra, és rögzítse a 3. csavarokkal.



- 1 – Ajtóütköző
- 2 – Ütköző zároló
- 3 – Önmetsző csavar



5. Helyezze a fagyasztót egy puha habszivacs vagy hasonló anyagra. Vegye ki az 1., 2. és 3. darabot a 4. csavarok meglazításával.



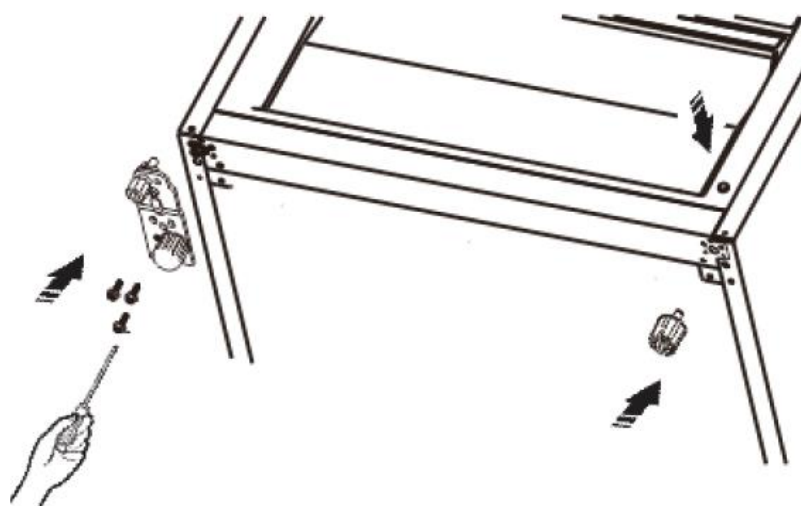
1 – Csavarkupak

2 – Állítható láb

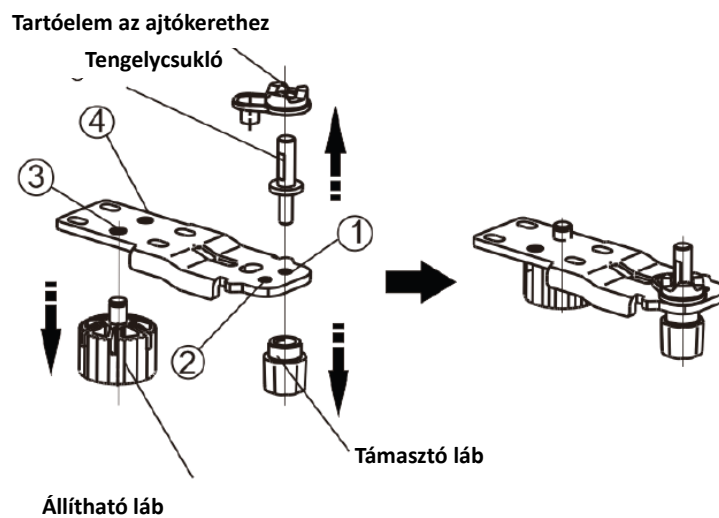
3 – Jobb alsó csuklópánt

4 – Speciális önmetsző csavar peremmel

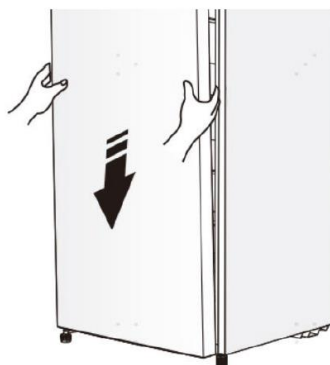
6. Helyezze a 3. elemet a bal oldalra, és rögzítse csavarokkal 4. Helyezze az 1. és 2. elemet az ellenkező oldalra, és rögzítse őket.



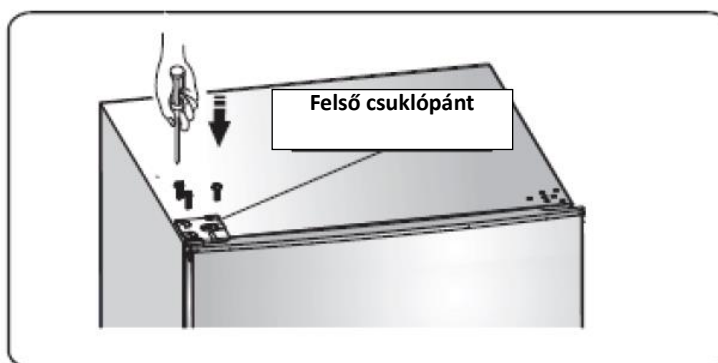
Megjegyzés: Először a csuklócsapot az 1. lyukból a 2. lyukba, az állítható lábat pedig a 3. lyukból a 4. lyukba kell áthelyezni.



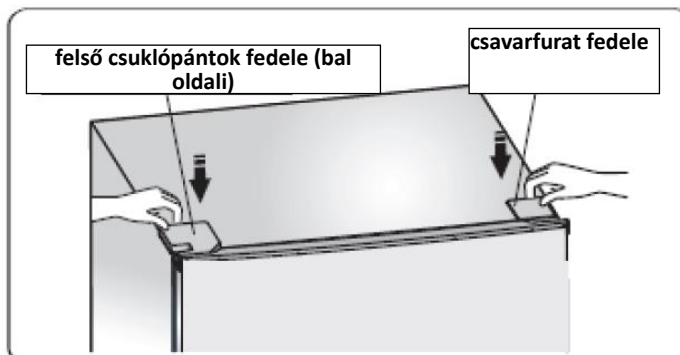
7. Rögzítse az ajtót az új helyzetben, ügyelve arra, hogy a szegecs a keret alján lévő furatba illeszkedjen.



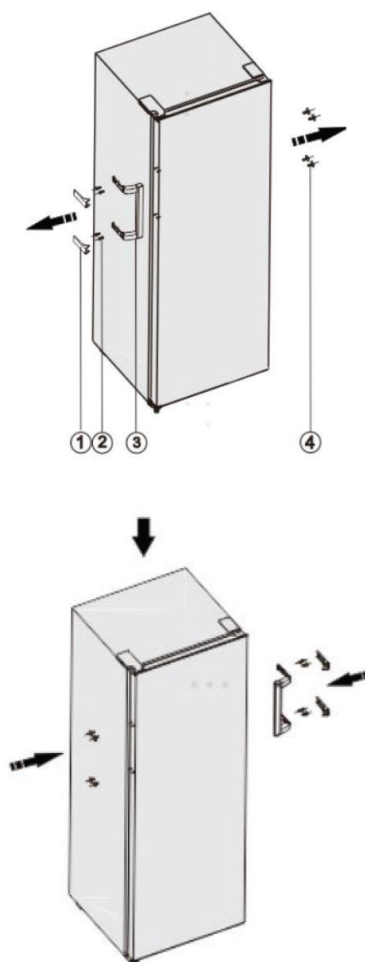
8. Helyezze a fedelet a helyére, illessze a felső csuklópántot az ajtó felső részén lévő lyukba, majd rögzítse a két csavarral.



9. Helyezze el a csavarnyílások takarófedelét és a felső csuklópánt fedelét (balra) az alábbi ábrán látható módon.



10. Mozdassa a fogantyúkat balról jobbra (csak a fogantyúval ellátott modellek esetében).



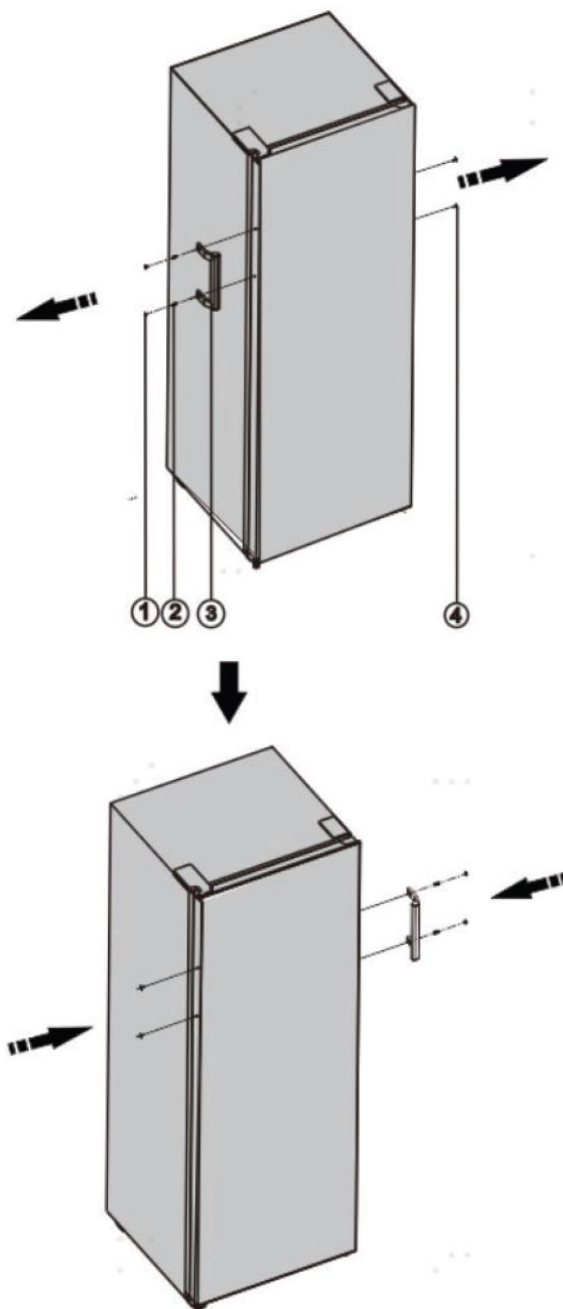
1 – Fogantyú kupak

2 – Csavar

3 – Fogantyú

4 – Maszkoló kupak

Megjegyzés: A folyamatos termékváltozások miatt a fogantyú némileg eltérhet a jelen használati útmutatóban leírtaktól, de a funkciók és a használat módja ugyanaz marad. Mozgassa a fogantyút a bal oldalról a jobb oldalra az alábbi ábra szerint.



- 1 - Kupak
- 2 - Csavar
- 3 - Fogantyú
- 4 - Maszkoló kupak

Figyelmeztetés!

Ha az ajtó nyílási irányát meg akarja változtatni, szerelés előtt a készüléket csatlakoztassa le az áramforrásról. Ennek érdekében húzza ki a készüléket a fali csatlakozóaljzatból.

XI. HIBAELHÁRÍTÁS

Abban az esetben, ha a készülékkel gondjai vannak, vagy úgy látja, hogy nem működik megfelelően, elvégezhet néhány egyszerű ellenőrzési művelet mielőtt szakszervizhez fordulna.

Figyelmeztetés! Ne próbálja házilag megjavítani a készüléket. Ha az alább felsorolt ellenőrzéseket elvégezte és a probléma továbbra is fennáll, forduljon szakképzett technikushoz, villanyszerelőhöz vagy ahhoz az üzlethez ahonnan a készüléket vásárolta.

Probléma	Lehetséges ok és a megoldás
A készülék nem működik megfelelően.	Győződjön meg róla, hogy a készülék csatlakozója megfelelően csatlakoztatva van az áramforráshoz.
	Ellenőrizze az áramforrás biztosítékát vagy áramkörét és ha szükséges cseréljen biztosítékot.
	Az normális, ha az automatikus leolvasztási ciklus alatt vagy a bekapcsolást követően rövid ideig a készülék nem működik, így védi a kompresszort.
A hűtőszekrény különböző részeiben kellemetlen szag van	Elképzelhető, hogy szükséges alaposan kitisztítani a hűtőszekrény belsejét.
	Bizonyos élelmiszerek, csomagolóanyagok vagy tárolóedények szagosak lehetnek.
A készülék hangokat bocsát ki.	Az alábbi hangok normálisak:
	- A kompresszor működése miatt keletkező hangok.
	- A ventilátor által kifújott levegő okozta hangok a mélyhűtő részben vagy más részeken.
	- A vízcsepegéshez hasonló csobogás.
	- Az automata leolvasztás közbeni roppanások.
	- A kompresszor indulása előtti csattanások.
	Más furcsa hangok az alábbi okok miatt jelentkezhetnek és ez esetben lehetséges, hogy intézkedésre van szükség:
	- A készülék nem kiegyensúlyozott.
- A készülék hátsó része hozzáér a falhoz.	
- Az üvegek vagy tárolóedények leesnek vagy elgurulnak.	
A motor megszakítás nélkül működik.	Az normális, hogy a motor hangját gyakrabban halljuk, többet működik az alábbi esetekben:
	- A hűtőszekrény hőmérsékletét alacsonyabbra állították mint ahogyan az szükséges.
	- Nagy mennyiségű élelmiszer került nemrégben a készülékbe.
	- A készüléket körülvevő levegő hőmérséklete túl magas.
	- Az ajtót túl gyakran kinyitják vagy túl sokáig marad nyitva.

	- A készülék első beüzemelését követően vagy ha a készülék hosszabb ideig üzemben kívül volt, most pedig ismét beüzemeltük.
A rekeszben jégképződik.	Győződjön meg róla, hogy a levegő kiáramlásának réseit nem zárta el élelmiszerekkel és, hogy az élelmiszerek megfelelően vannak elhelyezve a hűtőszekrény különböző részeiben, lehetővé téve a levegő áramlását. Győződjön meg róla, hogy az ajtó jól be van csukva. A jégképződés eltávolításához tanácsokat talál a tisztítás és karbantartás fejezetnél, kérjük olvassa el azt a részt.
A készülék belsejében a hőmérséklet túl magas.	Lehetséges, hogy túl sokáig volt nyitva a hűtőszekrény ajtója vagy túl gyakran nyitottuk ki; vagy az ajtók záródását valamilyen akadály nem teszi lehetővé; vagy a készülék oldalsó, felső vagy hátsó részén nem hagyott szabadon elegendő teret.
A készülék belsejében a hőmérséklet túl alacsony.	Növelje a hőmérsékletet a hőmérséklet beállítása fejezetben található utasítások szerint.
Az ajtókat nem lehet könnyedén becsukni.	Ellenőrizze, hogy egy a hűtőszekrényben levő tárgy nem akadályozza-e az ajtók csukódását, illetve, hogy megvan-e a 10-15 mm-es hátrafelé eldőlés annak érdekében, hogy az ajtók maguktól csukódjanak.

XII. A TERMÉK ELTÁVOLÍTÁSA

Tilos ezt a készüléket a háztartási hulladékba dobni.

Csomagolóanyagok

Azok az anyagok, amelyeken megtaláljuk az újrahasznosítás jelét, újrahasznosíthatóak. Ezeket a csomagolóanyagokat a megfelelő szelektív hulladékba dobja.

A készülék végső leállítása előtt

1. Húzza ki a csatlakozót az elektromos hálózatról.
2. Vágja le az áramforráshoz vezető huzalt, azt külön dobja el.

Figyelmeztetés! A hűtőszekrények hideghordozó közeget és veszélyes gázokat tartalmaznak. A hideghordozó közeget és a gázokat megfelelő módon kell eltávolítani, mert ezek szemsérüléseket okozhatnak vagy meggyúlnak.

SZERVIZ ÉS ÜGYFÉLSZOLGÁLAT

Kizárólag eredeti cserealkatrészeket használjon.

Mielőtt felvinné a kapcsolatot az engedélyezett szakszervizünkkel, győződjön meg róla, hogy a következő adatok a rendelkezésére állnak: Modell megnevezése és sorozatszám. Ezeket az adatokat a készülék műszaki adattábláján találja. Ezek az adatok előzetes értesítés nélkül is megváltoztathatók.

MŰSZAKI ADATOK

A termék műszaki adatai a készülék műszaki adattábláján és az energiacímkéjén vannak feltüntetve.

A hűtőszekrény energiacímkéjén található QR-kód egy internetes linket biztosít a készülék teljesítményével kapcsolatos információkhoz, melyek az EPREL adatbázisban találhatóak.

Utólagos tanulmányozás céljából, őrizze meg az energiacímkét a használati útmutatóval valamint a készülék egyéb dokumentumaival együtt.

Úgyisntén, ezeket az információkat az EPREL adatbázisban is megtalálja. Ennek érdekében használja a következő linket: <https://eprel.ec.europa.eu> és adja meg a termék megnevezését és sorozatszámát, amelyeket a készülék műszaki adattábláján talál.

A termékével kapcsolatos információk eléréséhez az EPREL portálon beolvashatja az alábbi kódokat:

HFF-N240NFF+



HFF-N240NFXF+



Köszönjük, hogy termékünket választotta! Ha termékével kapcsolatosan további információra van szüksége, keresse fel honlapunkat az alábbi linkeket használva:

A használati útmutatókat innen töltheti le: <https://www.heinner.ro>

A javításokra vonatkozó adatokat itt találja: <https://www.heinner.ro>



A hulladékok környezetfelelős eltávolítása

Segíthet a környezet védelmében!

Kérjük, tartsa be a helyi rendelkezéseket: a nem működő elektromos berendezéseket a használt elektromos hulladékokat gyűjtő központba szolgáltatassa be.



A HEINNER a Network One Distribution SRL(KFT) társaság által bejegyzett védjegy. A többi márkajelzés és a termékek megnevezése kereskedelmi vagy az illető birtoklók által bejegyzett márkanevek.

A műszaki leírások egyik része sem reprodukálható semmilyen formában és semmilyen módon, és nem használható fel fordításra, átváltoztatásra vagy alkalmazásra a NETWORK ONE DISTRIBUTION társaság előzetes beleegyezése nélkül.

Copyright © 2013 Network One Distribution. Minden jog fenntartva.

www.heinner.com, <http://www.nod.ro>
<http://www.heinner.com>, <http://www.nod.ro>



A terméket az Európai Közösség előírásainak és jogszabályainak megfelelően tervezték és gyártották.

Importőr: **Network One Distribution**

Marcel Iancu utca, 3-5 szám, Bukarest (București),
Románia

Tel: +40 21 211 18 56, www.heinner.com, www.nod.ro