

HEINNER

COMBI FRIDGE

Model: HC-VS268F+/HC-VS268SF+



- Combi fridge
- Total capacity: 268L
- Energy class: F

Thank you for purchasing this product!

I. INTRODUCTION

Before using the appliance, please read carefully this instruction manual and keep it for future reference.

This instruction manual is designed to provide you with all required instructions related to the installation, use and maintenance of the appliance.

In order to operate the unit correctly and safety, please read this instruction manual carefully before installation and usage.

II. CONTENT OF YOUR PACKAGE



- **Combi fridge**
- **User manual**
- **Warranty card**

III. SAFETY PRECAUTIONS

GENERAL WARNINGS!

WARNING: Keep ventilation openings, in the appliance enclosure or in the built-in structure, clear of obstruction.

WARNING: Do not use mechanical devices or other means to accelerate the defrosting process, other than those recommended by the manufacturer.

WARNING: Do not use electrical appliances inside the food storage compartments of the appliance, unless they are of the type recommended by the manufacturer.

WARNING: Do not damage the refrigerant circuit.

WARNING: In order to avoid any hazards resulting from the instability of the appliance, it must be fixed in accordance with the following instructions:

WARNING: When positioning the appliance, ensure the supply cord is not trapped or damaged.

WARNING: Do not locate multiple portable socket-outlets or portable power supplies at the rear of the appliance.



Symbol ISO 7010 W021

WARNING: Risk of fire / flammable materials

- If your appliance uses R600a as a refrigerant (this information will be provided on the label of the cooler) you should take care during transportation and installation to prevent the cooler elements from being damaged. R600a is an environmentally friendly and natural gas, but it is explosive. In the event of a leak due to damage of the cooler elements, move your fridge away from open flames or heat sources and ventilate the room where the appliance is located for a few minutes.
- While carrying and positioning the fridge, do not damage the cooler gas circuit.
- Do not store explosive substances such as aerosol cans with a flammable propellant in this appliance.
- This appliance is intended to be used in household only.
- If the socket does not match the refrigerator plug, it must be replaced by the manufacturer, a service agent or similarly qualified persons in order to avoid a hazard.
- A specially grounded plug has been connected to the power cable of your refrigerator. This plug should be used with a specially grounded socket of 16 amperes. If there is no such socket in your house, please have one installed by an authorised electrician.
- This appliance can be used by children aged from 8 years and above and persons with reduced physical, sensory or mental capabilities or lack of experience and knowledge if they have been given supervision or instruction concerning use of the appliance in a safe way and understand the hazards involved. Children shall not play with the appliance. Cleaning and user maintenance shall not be made by children without supervision.
- Children aged from 3 to 8 years are allowed to load and unload refrigerating appliances. Children are not expected to perform cleaning or user maintenance of the appliance. Very young children (0-3 years old) are not expected to use

Appliances safely unless continuous supervision is given. Older children (8-14 years old) and vulnerable people can use appliances safely after they have been given appropriate supervision or instruction concerning use of the appliance. Very vulnerable people are not expected to use appliances safely unless continuous supervision is given.

- If the supply cord is damaged, it must be replaced by the manufacturer, an authorised service agent or similar qualified persons, in order to avoid a hazard.
- This appliance is not intended for use at altitudes exceeding 2000 m.

NOTES:

- Please read the instruction manual carefully before installing and using your appliance. We are not responsible for the damage occurred due to misuse.
- Follow all instructions on your appliance and instruction manual, and keep this manual in a safe place to resolve the problems that may occur in the future.
- This appliance is produced to be used in homes and it can only be used in domestic environments and for the specified purposes. It is not suitable for commercial or common use. Such use will cause the guarantee of the appliance to be cancelled and our company will not be responsible for losses incurred.
- This appliance is produced to be used in houses and it is only suitable for cooling / storing food. It is not suitable for commercial or common use and/or for storing substances except for food. Our company is not responsible for losses to be incurred in the contrary case.

SAFETY WARNINGS:

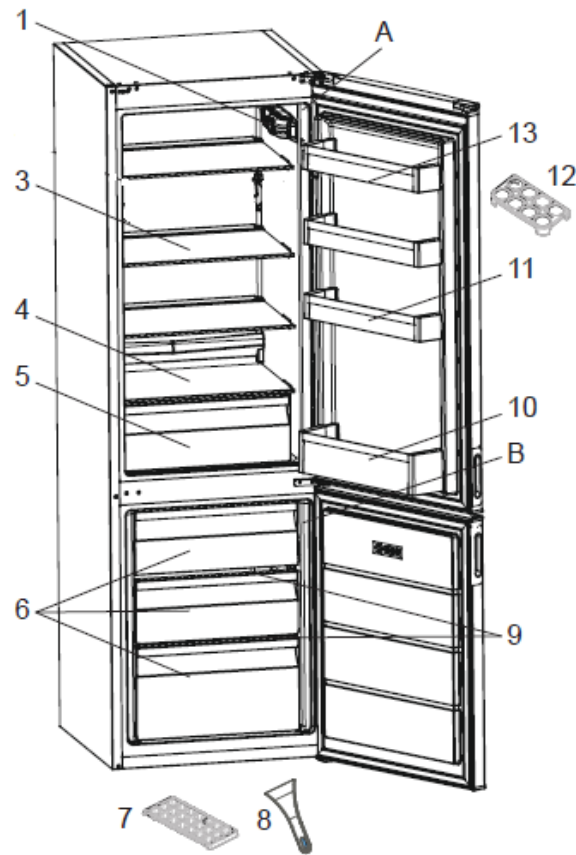
- Do not connect your Fridge Freezer to the mains electricity supply using an extension lead.
- Do not plug in damaged, torn or old plugs.
- Do not pull, bend or damage the cord.
- This appliance is designed for use by adults, do not allow children to play with the appliance or let them hang off the door.
- Never touch the power cord/plug with wet hands as this could cause a short circuit or electric shock.
- Do not place glass bottles or beverage cans in the ice-making compartment as they can burst as the contents freeze.
- Do not place explosive or flammable material in your fridge. Place drinks with high alcohol content vertically in the fridge compartment and make sure that their tops are tightly closed.
- When removing ice from the ice-making compartment, do not touch it. Ice may cause frost burns and/or cuts.
- Do not touch frozen goods with wet hands. Do not eat ice-cream or ice cubes immediately after you have taken them out of the ice-making compartment.
- Do not re-freeze frozen goods after they have melted. This may cause health issues such as food poisoning.
- Do not cover the body or top of fridge with lace. This affects the performance of your fridge.
- Secure any accessories in the fridge during transportation to prevent damage to the accessories.
- Do not use plug adapter.

To avoid contamination of food, please respect the following instructions:

- Opening the door for long periods can cause a significant increase of the temperature in the compartments of the appliance.
- Clean regularly surfaces that can come in contact with food and accessible drainage systems
- Store raw meat and fish in suitable containers in the refrigerator, so that it is not in contact with or drip onto other food.
- Two-star frozen-food compartments are suitable for storing pre-frozen food, storing or making ice cream and making ice cubes.
- One-, two- and three-star compartments are not suitable for the freezing of fresh food.
- If the refrigerating appliance is left empty for long periods, switch off, defrost, clean, dry, and leave the door open to prevent mould developing within the appliance.

V. PRODUCT DESCRIPTION

This appliance is not intended to be used as a built-in appliance.



A	Fridge compartment	10	Bottle shelf
B	Freezer compartment	11	Door shelves
1	Thermostat box	12	Egg holder
3	Fridge compartment shelves	13	Door shelf
4	Crisper cover		
5	Crisper		
6	Freezer drawers		
7	Ice box tray		
8	Plastic Ice scraper * (only some models)		
9	Freezer glass shelves *(only some models)		

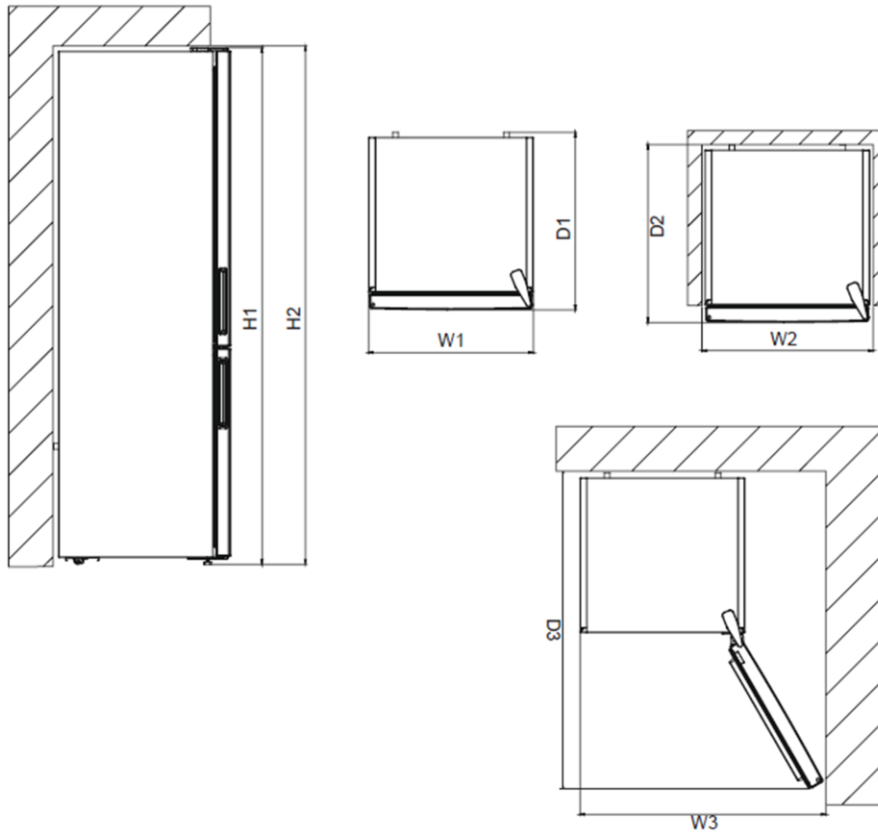
This presentation is only for information about the parts of the appliance. Parts may vary according to the appliance model.

General notes:

Fresh Food Compartment (Fridge): Most efficient use of energy is ensured in the configuration with the drawers in the bottom part of the appliance, and shelves evenly distributed, position of door bins does not affect energy consumption.

Freezer Compartment (Freezer): Most Efficient use of energy is ensured in the configuration with the drawers and bins are on stock position.

Dimensions



Overall dimensions		
H1	mm	1700
W1	mm	540
D1	mm	595

Space required in use		
H2	mm	1850
W2	mm	640
D2	mm	635

Overall space required in use		
W3	mm	640
D3	mm	1137.9

VI. INSTALLATION

Before using the appliance, you should pay attention to the following points:

- The operating voltage for your fridge is 220-240 V at 50Hz.
- The plug must be accessible after installation.
- Before connecting your fridge freezer, ensure that the information on the data plate (voltage and connected load) matches that of the mains electricity supply. If in doubt, consult a qualified electrician.
- Insert the plug into a socket with an efficient ground connection. If the socket has no ground contact or the plug does not match, we recommend you consult a qualified electrician for assistance.
- The appliance must be connected with a properly installed fused socket. The power supply (AC) and voltage at the operating point must match with the details on the name plate of the appliance (the name plate is located on the inside left of the appliance).
- We do not accept responsibility for any damages that occur due to ungrounded usage.
- Place your fridge where it will not be exposed to direct sunlight.
- Your appliance should be at least 50 cm away from stoves, gas ovens and heater cores, and at least 5 cm away from electrical ovens.
- Your fridge should never be used outdoors or exposed to rain.
- When your fridge is placed next to a deep freezer, there should be at least 2 cm between them to prevent humidity forming on the outer surface.
- Do not place anything on your fridge, and install your fridge in a suitable place so that at least 15 cm of free space is available above it.
- Use the adjustable front legs to make sure your appliance is level and stable. You can adjust the legs by turning them in either direction. This should be done before placing food in the fridge.
- Before using your fridge, wipe all parts with a solution of warm water and a teaspoon of sodium bicarbonate, then rinse with clean water and dry. Place all parts in the fridge after cleaning.
- Install the plastic distance guide (the part with black vanes at the rear) by turning it 90° (as shown in the figure) to prevent the condenser from touching the wall.
- The refrigerator should be placed against a wall with a free space not exceeding 75 mm.

Before using the appliance

- When using your fridge for the first time, or after transportation, keep it in an upright position for at least 3 hours before plugging into the mains. This allows efficient operation and prevents damage to the compressor.
- Your fridge may have a smell when it is operated for the first time. This is normal and the smell will fade away when your fridge starts to cool.

VII. USING THE APPLIANCE

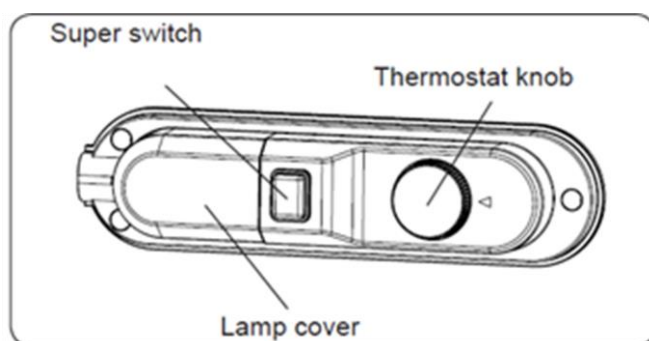
Information on Less Frost Technology

Thanks to the wrap around evaporator, Less Frost technology offers more efficient cooling, less manual defrost requirement, and more flexible storage room.

Thermostat Setting

The thermostat automatically regulates the temperature inside the refrigerator and freezer compartments. Cooler temperatures can be obtained by rotating the knob to higher numbers, 1 to 5.

Important note: Do not try to rotate the knob beyond position 1, it will stop your appliance from working.



Thermostat Settings

- Set the knob to a low/medium position, up to 3, for short-term storage of food in the appliance.
- Set the knob to a medium position, 3 or 4, for long-term storage of food in the appliance.
- Set the knob to 5 position for freezing the fresh food. The appliance will run for colder temperatures.

Super freezing:

This switch shall be used as superfreeze switch. For maximum freezing capacity, please turn on this switch before 24 hours placing fresh food. After placing fresh food in the freezer, 24 hours ON position is generally sufficient. In order to save energy, please turn off this switch after 24 hours from placing fresh food.

Winter Switch: If ambient temperature is below 16 °C, this switch shall be used as winter switch and it keeps your fridge above 0°C while freezer is below -18°C in low ambients.

Warnings about Temperature Adjustments

- The ambient temperature, temperature of the freshly stored food and how often the door is opened affects the temperature in the refrigerator compartment. If required, change the temperature setting.
- It is not recommended that you operate your fridge in environments colder than 10°C in terms of its efficiency.
- Temperature adjustments should be made according to the frequency of door openings and the quantity of food kept inside the fridge.
- Your fridge should be operated up to 24 hours according to the ambient temperature without interruption after being plugged in to be completely cooled. Do not open doors of your fridge frequently and do not place much food inside it in this period.
- Unplug your appliance during a power cut to prevent damage to the compressor. Once power is restored, delay plugging in your appliance for 5 to 10 minutes. This will help prevent damage to the appliance's components.
- Your fridge is designed to operate in the ambient temperature intervals stated in the standards, according to the climate class stated in the information label. We do not recommend operating your fridge out of stated temperatures value limits in terms of cooling effectiveness.
- Your appliance is designed to operate in the ambient temperature (ST/SN = 10°C - 38°C) intervals stated in the standards, according to the climate class displayed on the information label. We do not recommend operating your appliance out of the stated temperature limits in terms of cooling effectiveness.

Climate class and meaning:

T (tropical): This refrigerating appliance is intended to be used at ambient temperatures ranging from 16 °C to 43 °C.

ST (subtropical): This refrigerating appliance is intended to be used at ambient temperatures ranging from 16 °C to 38 °C.

N (temperate): This refrigerating appliance is intended to be used at ambient temperatures ranging from 16 °C to 32 °C.

SN (extended temperate): This refrigerating appliance is intended to be used at ambient temperatures ranging from 10 °C to 32 °C.

Accessories

Ice tray

- Fill the ice tray with water and place in freezer compartment.
- After the water completely turned into ice, you can twist the tray as shown below to get the ice cube.



Plastic scraper

After a period of time frost will build up in certain areas in the freezer compartment. The frost accumulated in the freezer should be removed periodically. Use the plastic scraper provided if necessary. Do not use sharp metal objects for this operation. They could puncture the refrigerator circuit and cause irreparable damage to the unit.



All written and visual description in the accessories may vary according to the appliance model.

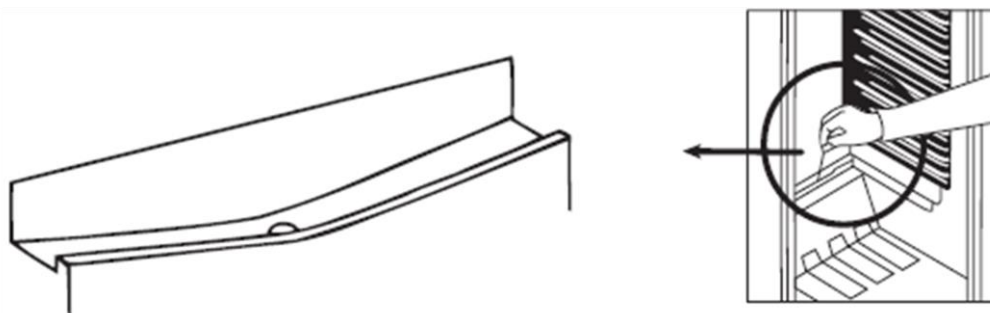
VIII. CLEANING AND MAINTENANCE

- Disconnect the unit from the power supply before cleaning.
- Do not clean the appliance by pouring water.
- Make sure that no water enters the lamp housing and other electrical components.
- The refrigerator should be cleaned periodically using a solution of bicarbonate of soda and lukewarm water.
- Clean the accessories separately with soap and water. Do not clean them in the dishwasher.
- Do not use abrasive products, detergents or soaps. After washing, rinse with clean water and dry carefully. When you have finished cleaning, reconnect the plug to the mains supply with dry hands.
- Clean the condenser with a broom at least twice a year. This will help you to save on energy costs and increase productivity.

THE POWER SUPPLY MUST BE DISCONNECTED.

DEFROSTING

Defrosting the fridge compartment



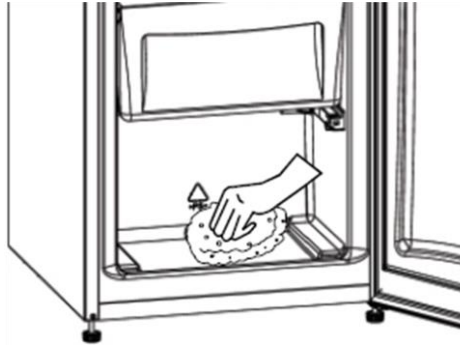
- Defrosting occurs fully automatically in fridge compartment during operation; the defrosted water collected by the evaporating tray and evaporates automatically.
- The evaporating tray and water drain hole (back of the refrigerator crisper shelf) should be cleaned periodically to prevent the water from collecting on the bottom of the fridge instead of flowing out.

Defrosting the freezer compartment

The frost, which covers the shelves of the freezer compartment, should be removed periodically.

- Do not use sharp metal objects for this operation. They could puncture the refrigerant circuit and cause irreparable damage to the unit. Use the plastic scraper provided.
- When there is more than 5 mm of frost on the shelves, defrosting must be carried out.
- Before defrosting, place the frozen food in a cool place after wrapping it in sheets of newspaper (this will help the food to maintain its temperature for longer).
- To accelerate the defrosting process, place one or more bowls of warm water in the freezer compartment.

- Dry the inside of the compartment with a sponge or a clean cloth.
- Once the unit has been defrosted, place the food into freezer and remember to consume it in a short period of time.

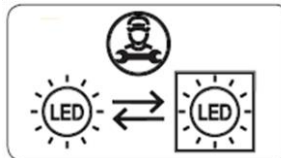


- After defrosting is complete, clean the inside of the appliance with a solution of warm water and a little bicarbonate of soda, then dry thoroughly. Wash all removable parts in the same way and reassemble. Reconnect the appliance EN - 20 to the mains supply and leave for 2 to 3 hours on setting number '5' before introducing the food back into the freezer.

Replacing LED lighting

If your refrigerator has LED lighting contact the help desk as this should be changed by authorized personnel only.

Note: The numbers and location of the LED strips may change according to the model.



If product equipped with LED lamp: This product contains a light source of energy efficiency class <E>.

If product equipped with LED Strip(s) or LED card(s): This product contains a light source of energy efficiency class <F>.

IX. STORING THE FOOD

Refrigerator compartment

The refrigerator compartment is used for storing fresh food for a few days.

- Do not place food in direct contact with the rear wall of the refrigerator compartment. Leave some space around food to allow circulation of air.
- Do not place hot food or evaporating liquid in the refrigerator.
- Always store food in closed containers or wrapped.
- To reduce humidity and avoid formation of frost, never place liquids in unsealed containers in the refrigerator.
- Meat of all types, wrapped in packages, is recommended to be placed on the glass shelf just above the vegetable bin, where the air is colder.
- You can put fruit and vegetables into the crisper without packaging.
- To avoid cold air escaping, try not to open the door too often, and not leave the door open for a long time.
- For normal working conditions, it will be sufficient to adjust the temperature setting of your refrigerator to +4 °C.
- The temperature of the fridge compartment should be in the range of 0-8 °C, fresh foods below 0 °C are iced and rotted, bacterial load increases above 8 °C, and spoils.
- Do not put hot food in the refrigerator immediately, wait for the temperature to pass outside. Hot foods increase the degree of your refrigerator and cause food poisoning and unnecessary spoiling of the food.
- Meat, fish, etc. should be store in the chiller compartment of the food, and the vegetable compartment is preferred for vegetables. (if available)
- To prevent cross contamination, meat products and fruit vegetables are not stored together.
- Foods should be placed in the refrigerator in closed containers or covered

Some recommendations have been specified below for the placement and storage of your food in the cooling compartment.

Food	Maximum storing time	Where to place in the fridge compartment
Vegetables and fruits	1 week	Vegetable bin
Meet and fish	2 -3 days	Wrapped in plastic foil or bags or in a meat container (on the glass shelf)
Fresh cheese	3-4 days	In special door shelf
Butter and margarine	1 week	In special door shelf
Bottled products milk and yoghurt	Until the expiry date recommended by the producer	In special door shelf
Eggs	1 month	In the egg shelf
Cooked food		All shelves

Freezer compartment

The freezer compartment is used for freezing fresh food and for storing frozen food for the period of time indicated on packaging, and for making ice cubes.

- When freezing fresh food, wrap and seal the food properly; the packaging should be air tight and shouldn't leak. Special freezer bags, aluminum foil (heavy grade, if in doubt double wrap), polythene bags and plastic containers are ideal.
- To get maximum capacity for freezer compartment, please just use glass shelves for upper and middle section. For bottom section, please use lower basket.
- The maximum amount of fresh foods that can be loaded in the freezer within 24 hours is indicated on the name plate (see Freezing Capacity).
- Use the fast freezing shelf to freeze home cooking (and any other food which needs to be frozen quickly) more quickly because of the freezing shelf's greater freezing power. Fast freezing shelf is the bottom drawer of the freezer compartment.
- For optimum appliance performance to reach maximum freezing capacity, set the refrigerator thermostat at 4 - 5 for 24 hours before placing fresh food into the freezer
- After placing fresh food into the freezer, change the setting to 4 - 5 for 24 hours is generally sufficient. After 24 hours, you can reduce the setting if required.
- Do not allow the fresh food to be frozen to come into contact with the already frozen food.
- Always mark the date and the content on the pack and do not exceed the stated storage time.
- In case of a power failure or malfunction, the freezer compartment will maintain a sufficiently low temperature for food storage. However, avoid opening the freezer door to slow down the temperature rise within the freezer compartment.
- Never place warm food in the freezer compartment.
- When purchasing and storing frozen food products, ensure that the packaging is not damaged.
- The storage time and the recommended temperature for storing frozen food is indicated on the packaging. For storing and using, follow the manufacturer's instructions. If no information is provided, food should not be stored for more than 3 months.
- Place frozen food in the freezer compartment as soon as possible after buying it.
- Once the food has thawed, it must not be refrozen; you must cook it as quickly as possible in order to consume or to freeze once again.

NOTE: If you attempt to open the freezer door immediately after closing it, you will find that it will not open easily. This is normal. Once equilibrium has been reached, the door will open easily.

Important note:

- Frozen foods, when thawed, should be cooked just like fresh foods. If they are not cooked after being thawed they must NEVER be re-frozen.
- The taste of some spices found in cooked dishes (anise, basilica, watercress, vinegar, assorted spices, ginger, garlic, onion, mustard, thyme, marjoram, black pepper, etc.) changes and they assume a strong taste when they are stored for a long period. Therefore, the frozen food should be added little amount of spices or the desired spice should be added after the food has been thawed.
- The storage period of food is dependent on the oil used. The suitable oils are margarine, calf fat, olive oil and butter and the unsuitable oils are peanut oil and pig fat.
- The food in liquid form should be frozen in plastic cups and the other food should be frozen in plastic folios or bags.

Some recommendations have been specified on pages 17 and 18 for the placement and storage of your food in the deep freeze compartment.

Meat and fish	Preparation	Maximum storing time (month)
Steak	Wrapping in a foil	6-8
Lamb meat	Wrapping in a foil	6-8
Veal roast	Wrapping in a foil	6-8
Veal cubes	In small pieces	6-8
Lamb cubes	In pieces	4-8
Minced meat	In packages without using spices	1-3
Giblets (pieces)	In pieces	1-3
Bologna sausage/salami	Should be packaged even if it has membrane	
Chicken and turkey	Wrapping in a foil	4-6
Goose and duck	Wrapping in a foil	4-6
Deer, rabbit, wild boar	In 2.5 kg portions and as fillets	6-8
Fresswater fishes (salmon, carp)	After cleaning the bowesl and scales of the fish, eash and dry it, and if necessary, cut off the tail and head	2
Lean fish: bass, turbot, flounder		4
Fatty fishes (tunny, bluefish)		2-4
Shellfish	Cleaned and in bags	4-6
Caviar	In its package, aluminum or plastic container	2-3
Snails	In salty water, aluminum or plastic container	3

Note: Frozen meat should be cooked as fresh meat after being thawed. If the meat is not cooked after being thawed, it must not be re-frozen.

Dairy products	Preparation	Maximum storing time (months)	Storing conditions
Packet (homogenize) milk	In its own packet	2-3	Pure milk – in its own packet
Cheese - excluding white cheese	In slices	6-8	Original package may be used for short storing period. It should be wrapped in foil for longer periods.
Butter, margarine	In its package	6	

Vegetables and fruits	Preparation	Maximum storing time (months)
String beans and beans	Wash and cut into small pieces and boil in water	10-13
Beans	Hull and wash and boil in water	12
Cabbage	Cleaned and boil in water	6-8
Carrot	Clean and cut to slices and boil in water	12
Pepper	Cut the stem, cut into two pieces, remove the core and boil in water	8-10
Spinach	Washed and boil in water	6-9
Cauliflower	Take the leaves apart, cut the heart into pieces, and leave it in water with a little lemon juice for a while	10-12
Eggplant	Cut to pieces of 2cm after washing	10-12
Corn	Clean and pack with its stem or as sweet corn	12
Apple and pear	Peel and slice	8-10
Apricot and peach	Cut into two pieces and remove the stone	4-6
Strawberry and blackberry	Wash and hull	8-12
Cooked fruits	Adding 10 % of sugar in the container	12
Plum, cherry, sourberry	Wash and hull the stems	8-12

	Maximum storing time (months)	Thawing time in room temperature (hours)	Thawing time in oven (minutes)
Bread	4-6	2-3	4-5 (220-225 °C)
Biscuits	3-6	1-1.5	5-8 (190-200 °C)
Pastry	1-3	2-3	5-10 (200-225 °C)
Pie	1-1.5	3-4	5-8 (190-200 °C)
Phyllo dough	2-3	1-1.5	5-8 (190-200 °C)
Pizza	2-3	2-4	15-20 (200 °C)

TRANSPORTATION AND CHANGING OF INSTALLATION POSITION

Transportation and changing of installation position

- The original packages and foamed polystyrene (PS) can be retained if required.
- During transportation, the appliance should be secured with a wide string or a strong rope. The instructions written on the corrugated box must be followed while transporting.

• Before transporting or changing the installation position, all the moving objects (ie,shelves,crisper...) should be taken out or fixed with bands in order to prevent them from getting damaged.

Carry the fridge in the upright position.

Repositioning the door

- It is not possible to change the opening direction of your refrigerator door, if the door handle on your refrigerator is installed from the front surface of the door.
- It is possible to change the opening direction of the door on models without any handles.
- If the door opening direction of your refrigerator may be changed, you should contact the nearest Authorised Service Agent to have the opening direction changed.

X. TROUBLESHOOTING

If the fridge freezer is not working properly, it may be a minor problem, therefore to save time and money, check the following, before calling an electrician.

What to do if your appliance does not operate

Check that:

- There is no power
- The general switch in your home is disconnected
- The thermostat setting is on the «•» position
- The socket is not faulty. To check this, plug the appliance in to another socket which you know is working.

What to do if your appliance performs poorly

Check that:

- You have overloaded the appliance,
- The thermostat setting is on position "1" (if so set the thermostat dial to a suitable value).
- The doors are closed properly,
- There is no dust on the condenser,
- There is enough space at the rear and side walls.

If your fridge is operating too loudly

Normal Noises

Cracking (Ice cracking) Noise:

During automatic defrosting.

When the appliance is cooled or warmed (due to expansion of appliance material).

Short cracking: Heard when the thermostat switches the compressor on/off.

Compressor noise

- Normal motor noise: This noise means that the compressor operates normally
- The compressor may cause more noise for a short time when it is first activated.

Bubbling noise and splash:

- This noise is caused by the flow of the fridge freezer in the tubes of the system.

If you hear any other noises check that:

- The appliance is level
- Nothing is touching the rear of the appliance
- The objects on the appliance are vibrating.

Water flow noise: Normal flow noise of water flowing to the evaporation container during defrosting. This noise can be heard during defrosting.

Air Blow Noise: Normal fan noise. This noise can be heard in fridges during normal operation of the system due to the circulation of air.

If there is water in the lower part of the fridge freezer.

Check that:

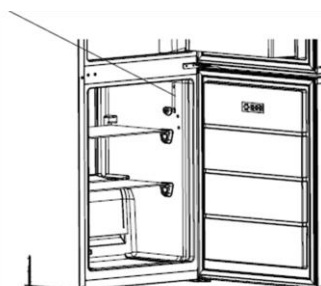
The drain hole for the water is not clogged (use the defrost drain plug to clean the drain hole).

Recommendations

- If you do not intend to use the appliance for long time (for example during the summer holidays) unplug and clean the appliance and leave the door open to prevent the formation of mildew and smells.
- To stop the appliance completely, unplug it from the main socket (for cleaning and when the doors are left open).
- If a problem persists after you have followed all the instructions above, please consult the nearest Authorised Service Centre.

Tips for saving energy

1. Install the appliance in a cool, well ventilated room, but not in direct sunlight and not near a heat source (radiator, cooker.. etc). Otherwise use an insulating plate.
2. Allow warm food and drinks to cool down outside the appliance.
3. When thawing frozen food, place it in the refrigerator compartment. The low temperature of the frozen food will help to cool the refrigerator compartment when it is thawing. This will help to save energy. If the frozen food is put out, it results in a waste of energy.
4. Cover drinks or other liquids when placing them in the appliance. Otherwise humidity increases in the appliance. Therefore, the working time gets longer. Also covering drinks and other liquids helps to preserve smell and taste.
5. Try to avoid keeping the doors open for long periods or opening the doors too frequently as warm air will enter the cabinet and cause the compressor to switch on unnecessarily often.
6. Keep the covers of the different temperature compartments (crisper, chiller ...etc) closed
7. Door gasket must be clean and pliable. Replace gaskets if worn.
8. Energy consumption is declared without drawers and fully loaded in freezer compartment.
9. For saving energy, do not use volume between the load limit and the door, along the load limit line. Load limit line is also used in energy consumption declaration.



CUSTOMER CARE AND SERVICE

Always use original spare parts.

When contacting our Authorised Service Centre, ensure that you have the following data available: Model and Serial Number.

The information can be found on the rating plate. Subject to change without notice.

TECHNICAL DATA

The technical information is situated in the rating plate on the internal side of the appliance and on the energy label.

The QR code on the energy label supplied with the appliance provides a web link to the information related to the performance of the appliance in the EU EPREL database.

Keep the energy label for reference together with the user manual and all other documents provided with this appliance.

It is also possible to find the same information in EPREL using the link <https://eprel.ec.europa.eu> and the model name and product number that you find on the rating plate of the appliance.

To access information about your product in the EPREL portal, you can scan the code below:



Thank you for purchasing this product. If you need support with your product, visit our website using the links below.

Get User manuals: <https://www.heinner.ro>

Get Service information: <https://www.heinner.ro>



Environment friendly disposal

You can help protect the environment!

Please remember to respect the local regulations: hand in the non-working electrical equipment's to an appropriate waste disposal center.



HEINNER is a registered trademark of **Network One Distribution SRL**. Other brands and product names are trademarks or registered trademarks of their respective holders.

No part of the specifications may be reproduced in any form or by any means or used to make any derivative such as translation, transformation, or adaptation without permission from NETWORK ONE DISTRIBUTION.

Copyright © 2013 Network One Distribution. All rights reserved.

www.heinner.com, <http://www.nod.ro>

<http://www.heinner.com>, <http://www.nod.ro>



This product is in conformity with norms and standards of European Community

Importer: **Network One Distribution**

Marcel Iancu Street, 3-5, Bucharest, Romania

Tel: +40 21 211 18 56, www.heinner.com , www.nod.ro

HEINNER

COMBINA FRIGORIFICA

Model: HC-VS268F+/HC-VS268SF+



- Combina frigorifica
- Capacitate totala: 268L
- Clasa energetica: F

Vă mulțumim pentru alegerea acestui produs!

I. INTRODUCERE

Înainte de a utiliza acest aparat, citiți cu atenție manualul de instrucțiuni și păstrați-l pentru consultări ulterioare.

Acest manual este conceput pentru a vă oferi toate instrucțiunile necesare referitoare la instalarea, utilizarea și întreținerea aparatului.

Pentru utilizarea corectă și în siguranță a aparatului, vă rugăm să citiți cu atenție acest manual de instrucțiuni, înainte de instalare și utilizare.

II. CONȚINUTUL PACHETULUI DUMNEAVOASTRĂ

- **Combina frigorifica**
- **Manual de utilizare**
- **Certificat de garanție**

III. MASURI DE SIGURANTA

Avertizări generale

AVERTIZARE: Mențineți fantele de ventilație ale aparatului libere de obstacole.

AVERTIZARE: Nu utilizați dispozitive mecanice sau alte mijloace pentru a accelera procesul de dezghețare, cu excepția celor recomandate de către producător.

AVERTIZARE: Nu utilizați aparate electrice în interiorul compartimentelor de depozitare a alimentelor, exceptând cazul în care acestea sunt de tipul celor recomandate de către producător.

AVERTIZARE: Nu deteriorați circuitul agentului frigorific.

AVERTIZARE: Pentru a evita riscurile ce survin în urma instabilității aparatului, acesta trebuie fixat conform instrucțiunilor următoare:

AVERTIZARE: Când poziționați aparatul, verificați cablul de alimentare să nu fie comprimat sau deteriorat.

AVERTIZARE: Nu plasați prize portabile multiple sau surse de alimentare portabile la partea din spate a aparatului.



Simbol ISO 7010 W021

AVERTIZARE: Risc de incendiu / materiale inflamabile

• Dacă aparatul dumneavoastră utilizează agentul frigorific R600a (această informație se află pe eticheta frigiderului) trebuie să aveți grijă în timpul transportului și al instalării pentru a împiedica deteriorarea elementilor de răcire ai aparatului. Aceasta chiar dacă R600a este un gaz natural, care nu afectează mediul înconjurător. În cazul unei scurgeri provocate de deteriorarea elementilor de răcire, mutați frigiderul la distanță de flăcări deschise sau de surse de căldură și aerisiți câteva minute încăperea în care se află aparatul.

• Nu deteriorați circuitul gazului de răcire în timpul transportului și poziționării frigiderului.

• Nu depozitați în aparat substanțe explozive precum doze de aerosoli cu gaz propulsor inflamabil.

• Acest aparat este destinat a fi utilizat numai în gospodărie.

• Dacă ștecherul frigiderului nu se potrivește cu priza, el trebuie înlocuit de către producător, de agentul său de service sau de persoane cu o calificare similară, pentru a evita pericolele.

• Cablul de alimentare al frigiderului este echipat cu un ștecher special cu împământare. Acest ștecher trebuie utilizat cu o priză specială cu împământare, de 16 amperi. Dacă nu aveți o astfel de priză în locuința dumneavoastră, apălați la un electrician autorizat pentru a o instala.

• Acest produs poate fi utilizat de către copii cu vârsta minimă de 8 ani și de persoanele cu capacități fizice, senzoriale sau mentale reduse sau lipsă de experiență și cunoștințe, dacă aceștia au fost supravegheați sau instruiți cu privire la utilizarea produsului într-un mod sigur și că înțeleg pericolele implicate. Copiii nu trebuie să se joace cu produsul. Operațiunile de curățare și întreținere nu trebuie să fie efectuate de către copii fără supraveghere.

• Copiilor cu vârste cuprinse între 3 și 8 ani le este permis să introducă și să scoată alimente din aparatele frigorifice. Copiilor foarte mici (0-3 ani) nu le este permis să folosească aparatul cu excepția cazului în care se asigură supravegherea continuă a acestora.

- În cazul în care cablul de alimentare este deteriorat, acesta trebuie înlocuit de către producător, agentul său de service sau persoane cu o calificare similară, pentru a evita pericolele.
- Acest produs nu este destinat a fi utilizat la altitudini de peste 2000 de metri.

NOTE:

- Înainte de instalarea și utilizarea aparatului, vă rugăm să citiți cu atenție manualul de instrucțiuni. Nu suntem responsabili pentru deteriorarea cauzată de utilizarea necorespunzătoare.
- Respectați toate instrucțiunile de pe aparat și din manualul de instrucțiuni și păstrați acest manual la loc sigur, pentru a remedia problemele care ar putea interveni în viitor.
- Acest aparat este destinat uzului casnic și trebuie utilizat numai în scopurile specificate. Nu este destinat pentru uz comercial sau uz comun. O astfel de utilizare va duce la anularea garanției aparatului, iar compania noastră nu va fi responsabilă pentru pierderile care vor apărea.
- Acest aparat este produs pentru utilizarea casnică și este potrivit numai pentru răcirea/depozitarea alimentelor. Nu este potrivit utilizării comerciale sau în comun și/sau pentru depozitarea substanțelor nealimentare. Compania noastră nu este responsabilă pentru pierderile care vor apărea în caz contrar.

AVERTIZĂRI PRIVIND SIGURANȚA:

- Nu conectați congelatorul frigiderului la rețeaua de electricitate cu ajutorul unui prelungitor.
- Nu conectați la prize defecte, fisurate sau vechi.
- Nu trageți, îndoiți sau deteriorați cablul.
- Acest aparat este proiectat pentru a fi utilizat de către adulți; nu permiteți copiilor să se joace cu acest aparat sau să se lase pe ușă.
- Nu atingeți niciodată cablul de alimentare/fișa cu mâinile ude, deoarece aceasta ar putea provoca un scurtcircuit sau un șoc electric.
- Nu introduceți sticle sau doze cu băuturi în compartimentul de producere a gheții, deoarece ar putea exploda în urma congelării conținutului.
- Nu amplasați materiale explozive sau inflamabile în frigider. Amplasați băuturile cu conținut ridicat de alcool în poziție verticală și asigurați-vă că recipientele sunt închise etanș.
- Atunci când scoateți gheața din compartimentul de producere a gheții, nu o atingeți. Gheața poate provoca degerături și/sau poate tăia.
- Nu atingeți produsele congelate cu mâinile ude! Nu mâncați înghețata și cuburile de gheață imediat după ce le-ați scos din compartimentul de produs gheață!
- Nu recongelați alimentele după ce acestea s-au topit. Acest lucru ar putea cauza probleme de sănătate, cum ar fi toxiiinfecțiile alimentare.
- Nu acoperiți corpul sau partea de sus a frigiderului cu dantelă. Aceasta influențează performanța frigiderului dumneavoastră.
- Fixați accesoriile în frigider în timpul transportului, pentru a preveni deteriorarea acestora.
- Nu utilizați adaptoare de priză.

Pentru a evita contaminarea alimentelor, respectați instrucțiunile de mai jos:

- Dacă ușa aparatului este lăsată deschisă pe perioade lungi, temperatura din compartimentele aparatului crește semnificativ.
- Curățați periodic suprafețele care pot intra în contact cu alimentele, precum și sistemele de scurgere ale aparatului.
- Păstrați carnea crudă și peștele proaspăt în recipiente corespunzătoare, astfel încât produsele să nu intre în contact cu alte alimente.
- Compartimentele de congelare cu două stele sunt potrivite pentru păstrarea alimentelor precongelate, păstrarea sau prepararea înghețatei și producerea cuburilor de gheață.
- Compartimentele cu una, două și trei stele nu sunt potrivite pentru congelarea alimentelor proaspete.
- Dacă aparatul frigorific este lăsat gol pe perioade lungi, opriți-l, decongelați-l, curățați-l, ștergeți-l bine și lăsați-i ușa deschisă, pentru a preveni formarea mucegaiului în interiorul acestuia.

IV. DESCRIEREA PRODUSULUI

Acest aparat frigorific nu este destinat utilizării ca aparat încorporat;

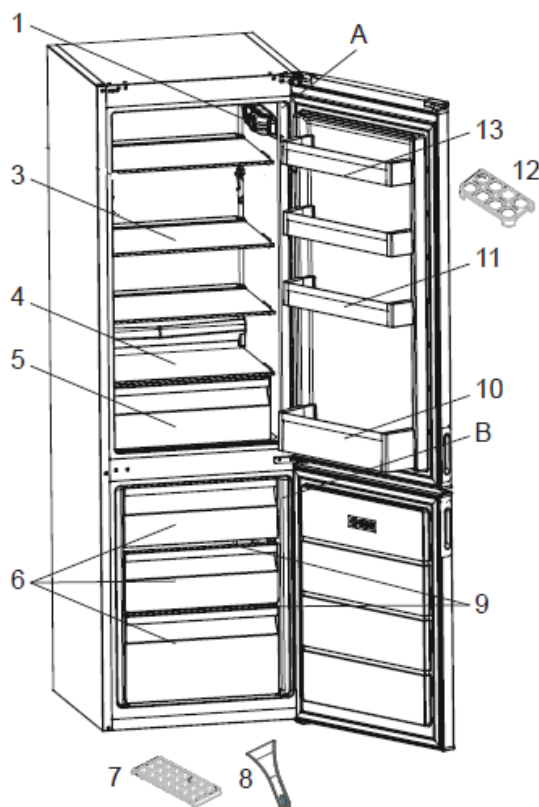


Figura are caracter informativ, ilustrând piesele și accesoriile aparatului. Acestea pot varia în funcție de modelul aparatului.

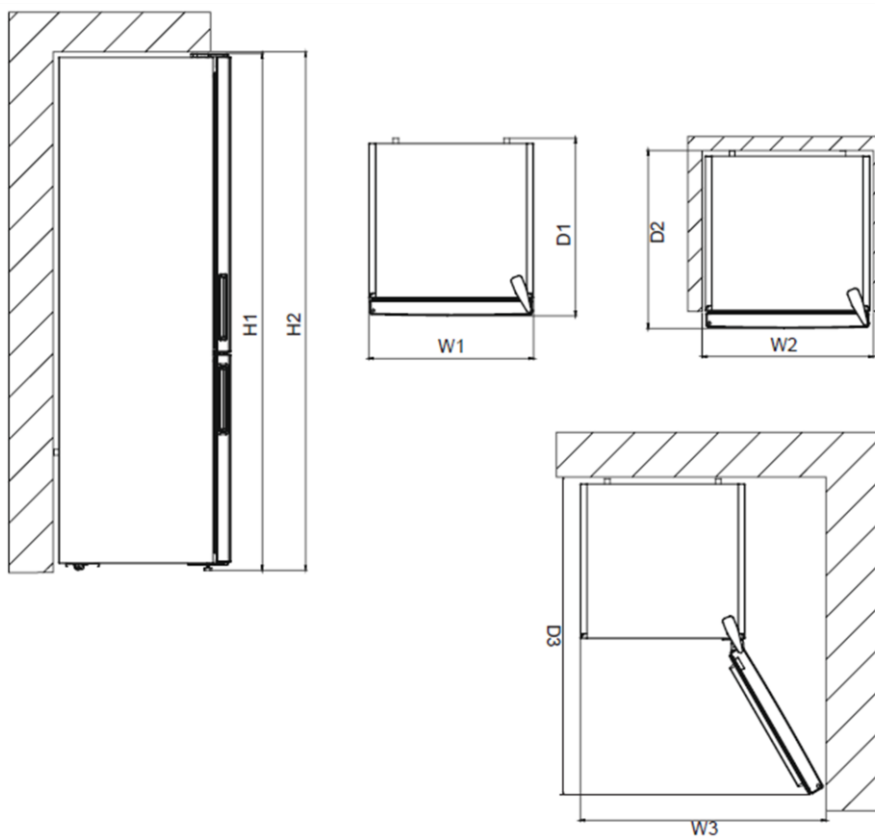
A	Compartimentul de frigider	10	Raft pentru sticle
B	Compartimentul congelator	11	Rafturi usa
1	Termostat	12	Suport pentru oua
3	Rafturi frigider	13	Raft usa
4	Raft compartiment legume		
5	Compartiment legume		
6	Sertare congelator		
7	Tava pentru gheata		
8	Racleta de plastic * (la anumite modele)		
9	Rafturi din sticla congelator * (la anumite modele)		

Note generale:

Compartiment frigider: Utilizarea cea mai eficientă a energiei este asigurată pastrand configurația rafturilor și sertarelor ca în ilustrația de mai sus: sertarele în partea de jos a frigiderului, rafturile distribuite uniform. Poziția rafturilor de pe ușă nu afectează consumul de energie.

Compartiment congelator: Utilizarea cea mai eficientă a energiei este asigurată în configurația cu sertarele amplasate ca în ilustrația de mai sus.

Dimensiuni



Dimensiuni totale		
H1	mm	1700
W1	mm	540
D1	mm	595

Spațiu necesar în utilizare		
H2	mm	1850
W2	mm	640
D2	mm	635

Spațiu total necesar pentru utilizare		
W3	mm	640
D3	mm	1137.9

V. INSTALAREA ȘI FUNCȚIONAREA APARATULUI FRIGORIFIC

Înainte de a începe să utilizați aparatul frigorific, acordați atenție următoarelor puncte:

- Tensiunea de funcționare a aparatului este de 220-240 V la 50 Hz.
- ștecărul trebuie să fie accesibil după instalare.
- Înainte de a conecta frigiderul, asigurați-vă că informațiile de pe plăcuța de date (tensiune și sarcină) corespund cu cele ale sursei de energie electrică. Dacă aveți dubii, consultați un electrician calificat.
- Introduceți ștecărul într-o priză cu împământare. În cazul în care nu aveți o priză cu împământare sau priză nu se potrivește, vă recomandăm să consultați un electrician calificat pentru asistență.
- Nu ne asumăm răspunderea pentru daunele survenite din cauza utilizării fără împământare.
- Așezați frigiderul într-un loc ferit de razele soarelui.
- Aparatul dumneavoastră ar trebui să se afle la cel puțin 50 cm distanță de plite, cuptoare cu gaz și de radiatoare și ar trebui să se afle la cel puțin 5 cm distanță față de cuptoarele electrice.
- Aparatul dumneavoastră frigorific nu trebuie utilizat niciodată în aer liber sau lăsat în ploaie.
- În momentul în care aparatul frigorific este plasat lângă un alt congelator, ar trebui să existe o distanță de cel puțin 2 cm între acestea, pentru a preveni umezirea suprafeței exterioare.
- Nu așezați obiecte grele pe aparat.
- Nu așezați obiecte pe aparat și instalați frigiderul într-un loc potrivit, astfel încât să existe cel puțin 15 cm liberi în partea de sus.
- Picioarele frontale ajustabile ar trebui reglate în așa fel încât să vă asigurați că aparatul dumneavoastră este stabil și la nivel. Puteți regla picioarele rotindu-le în orice direcție. Această operațiune ar trebui efectuată înainte de a amplasa alimente în frigider.
- Înainte de a utiliza aparatul frigorific, ștergeți toate componentele cu apă caldă, în care ați dizolvat o lingură de bicarbonat de sodiu, după care clătiți cu apă curată și uscați. După curățare, montați toate componentele în frigider.
- Instalați distantierele din plastic (partea cu palete negre în partea din spate) întorcându-le la 90° (după cum este ilustrat în figură), pentru a preveni condensarea prin atingerea de perete.
- Frigiderul trebuie amplasat lângă un perete, la o distanță care să nu depășească 75 mm.

Înainte de utilizarea aparatului frigorific

- La prima utilizare a aparatului frigorific sau după transport, lăsați-l în poziție verticală timp de minimum 3 ore, înainte de a-l conecta la priză. Aceasta va permite funcționarea eficientă și va împiedica defectarea compresorului.
- Atunci când este pus în funcțiune pentru prima dată, aparatul poate prezenta un miros. Acest lucru este normal, iar mirosul se va atenua odată cu răcirea acestuia.

VI. UTILIZAREA APARATULUI FRIGORIFIC

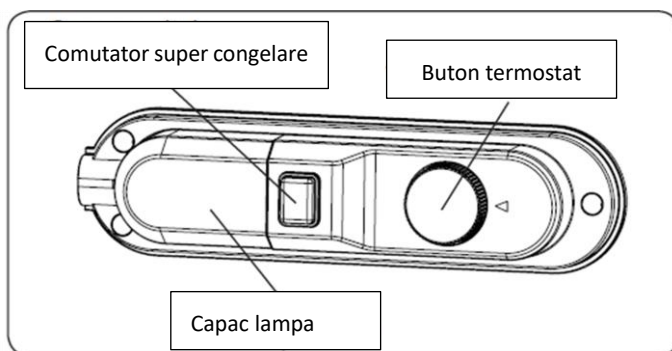
Informatii despre tehnologia *Less Frost*

Datorită evaporatorului integrat în cabinet, tehnologia *Less Frost* oferă o răcire mai eficientă și o reducere a necesității dezghețării congelatorului.

CONFIGURAREA TERMOSTATULUI

Termostatul reglează automat temperatura interioară a compartimentelor de refrigerare și congelare. Temperaturi mai scăzute se pot obține prin rotirea butonului de la poziția 1 la 5.

Notă importantă: Nu încercați să rotiți butonul mai jos de poziția 1, aceasta va opri funcționarea aparatului.



Nivelul termostatului

1 – 2: Pentru depozitarea pe termen scurt a alimentelor în compartimentul congelator, puteți seta butonul pe poziția minim/mediu, până în setarea 3.

3 – 4: Pentru depozitarea pe termen lung a alimentelor în compartimentul congelator, puteți seta butonul la poziția medie.

5: Pentru congelarea alimentelor proaspete. Compresorul va funcționa mai mult timp pentru a atinge temperaturi mai scăzute. Odată ce alimentele sunt congelate complet, poziționați termostatul în poziția inițială.

Comutator super congelare

Pentru o capacitate maximă de congelare, porniți comutatorul cu 24 de ore înainte de a introduce alimentele proaspete în congelator. Pentru a economisi energie, opriți comutatorul după 24 de ore după introducerea alimentelor proaspete în congelator.

Comutator de iarnă

Dacă temperatura ambiantă este sub 16 °C, acest comutator va fi folosit ca comutator de iarnă și vă menține frigiderul peste 0°C și compartimentul de congelare sub -18°C în medii cu temperaturi mai scăzute de 16 °C.

Avertismente pentru setările de temperatură

- Temperatura ambientală, temperatura alimentelor proaspăt depozitate și frecvența de deschidere a ușii, influențează temperatura compartimentului congelatorului. Dacă este necesar, schimbați setările de temperatură.
- Nu este recomandabilă utilizarea frigiderului în medii cu temperaturi sub 10°C, din motive de eficiență.
- Setarea termostatului ar trebui să fie efectuată luând în considerare frecvența deschiderii și închiderii ușii, cantitatea de alimente depozitată în aparatul frigorific și mediul în care este amplasat acesta.
- Atunci când aparatul este pornit pentru prima oară, lăsați-l să funcționeze 24 de ore, pentru a atinge temperatura de funcționare. În acest timp, nu deschideți ușa prea des și nici nu așezați o cantitate mare de alimente în interiorul aparatului.
- Deconectați aparatul pe durata unei întreruperi a alimentării cu energie, pentru a preveni deteriorarea compresorului. De îndată ce alimentarea s-a restabilit, conectați aparatul după o perioadă de 5 până la 10 minute. Aceasta va ajuta la prevenirea deteriorării părților componente ale aparatului.
- Aparatul dumneavoastră este proiectat pentru a funcționa în intervalele de temperatură ambientală menționate în standarde, potrivit clasei de climă menționate pe eticheta cu informații. În ceea ce privește eficiența de răcire a frigiderului, nu este recomandată utilizarea acestuia în medii care depășesc intervalele prezentate de temperatură. Aceasta va reduce eficiența aparatului în procesul de răcire.
- Acest aparat este proiectat pentru a fi utilizat la o temperatură ambientală aflată în intervalul cuprins între 10 °C - 38 °C (ST/SN) intervalele menționate în standarde, conform clasei climatice afișate pe eticheta de informații. Nu recomandăm să folosiți aparatul în afara limitelor de temperatură declarate deoarece eficacitatea de racire poate fi afectată.

Semnificatie clase climatice:

- temperată extinsă: acest aparat frigorific este destinat a fi utilizat la temperaturi ambiante cuprinse între 10 °C și 32 °C (SN);
- temperată: acest aparat frigorific este destinat a fi utilizat la temperaturi ambiante cuprinse între 16 °C și 32 °C (N);
- subtropicală: acest aparat frigorific este destinat a fi utilizat la temperaturi ambiante cuprinse între 16 °C și 38 °C (ST);
- tropicală: acest aparat frigorific este destinat a fi utilizat la temperaturi ambiante cuprinse între 16 °C și 43 °C (T);

Accesorii

Tava pentru cuburi de gheață

- Umpleți tava cu apă și așezați-o în compartimentul de congelare.
- După ce apa s-a transformat în întregime în gheață, puteți răsuși tava, așa cum se arată mai jos, pentru a scoate cuburile de gheață.



Racletă de plastic

După o perioadă de timp, gheața se va depune pe anumite zone ale compartimentul congelatorului. Gheața acumulată în congelator, trebuie să fie eliminată periodic. Dacă este necesar, utilizați racleta de plastic furnizată. Pentru această operație nu folosiți obiecte ascuțite din metal. Acestea ar putea perfora circuitul de refrigerare și provoca deteriorari ireparabile aparatului.

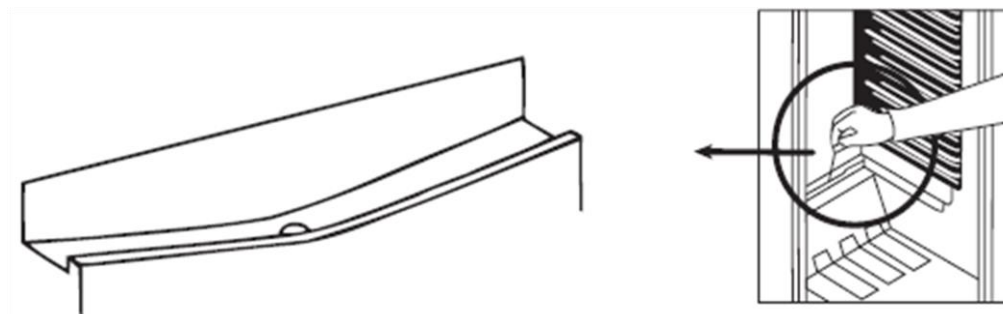
VII. CURATARE SI INTRETINERE

- Deconectați unitatea de la sursa de alimentare înainte de curățare.
- Nu spălați congelatorul turnând apă în el.
- Asigurați-vă că apa nu intră în compartimentul cu bec al frigiderului sau în alte elemente electrice.
- Frigiderul trebuie să fie curățat periodic utilizând o soluție de bicarbonat de sodiu și cu apă caldă.
- Curățați accesoriile separat, cu apă și detergent. Nu le curățați în mașina de spălat vase.
- Nu utilizați produse abrazive, detergenți sau săpunuri. După spălare, clătiți cu apă și uscați cu grijă. După terminarea curățării, reconectați fișa la rețea, cu mâinile uscate.
- Curățați condensatorul cu perie de cel puțin două ori pe an. Aceasta va ajuta la economisirea costurilor cu energia și la creșterea productivității.

ALIMENTAREA CU ENERGIE TREBUIE ÎNTRERUPTĂ IN TIMPUL PROCESULUI DE CURATARE.

Dezghețarea

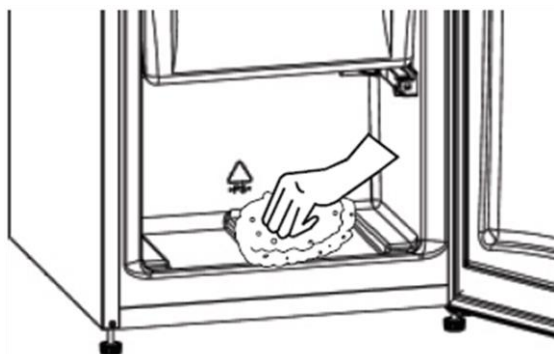
Compartimentul frigider



- Dezghețarea are loc automat în compartimentul frigider în timpul funcționării; apa rezultată din dezghețare se colectează în tava de evaporare și se evaporă automat.
- Tava de evaporare și orificiul de evacuare a apei dezghețate trebuie curățate periodic cu tija de desfundare, pentru a preveni ca apa să se adune în partea de jos a frigiderului, în loc să curgă afară.
- Puteți, de asemenea, turna 1/2 de pahar cu apă în orificiul de evacuare, pentru a curăța partea din interior.

Compartimentul congelator

- Gheața care acoperă rafturile compartimentului de congelare trebuie îndepărtată periodic.
- Pentru această operațiune nu folosiți obiecte ascuțite din metal. Acestea ar putea perfora circuitul de refrigerare și provoca stricăciuni ireparabile ansamblului. Folosiți racleta din plastic furnizată.
- Când stratul de gheață de pe rafturi depășește 5 mm, este obligatorie decongelarea.
- Înainte de operațiunea de decongelare, așezați alimentele congelate într-un loc răcoros, înfășurându-le în foi de ziar (pentru a obține o temperatură constantă mai mult timp).
- Pentru a accelera procesul de decongelare, așezați unul sau mai multe vase cu apă caldă în compartimentul congelator.
- Uscați interiorul compartimentului cu un burete sau cu o lavetă curată.
- După ce aparatul a fost decongelat, așezați alimentele în congelator și nu uitați să le consumați într-o perioadă scurtă de timp.

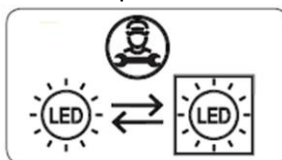


- După ce dezghețarea este finalizată, curățați interiorul aparatului cu apă caldă și puțin bicarbonat apoi uscați bine. Spălați toate piese detașabile în același mod și reasamblați-le. Reconectați aparatul la rețeaua de alimentare și lăsați 2 până la 3 ore termostatul pe setarea numărului „5” înainte de introducerea alimentelor înapoi în congelator.

Înlocuirea luminii de tip LED

Dacă frigiderul dumneavoastră este prevăzut cu lumina tip LED, contactați centrul de asistență deoarece becul trebuie înlocuit doar de personal autorizat.

Notă: Numărul și amplasarea benzilor LED pot fi diferite în funcție de model.



Dacă produsul este echipat cu lampă LED: Acest produs conține o sursă de lumină de clasă de eficiență energetică <E>.

Dacă produsul este echipat cu benzi LED sau carduri LED: Acest produs conține o sursă de lumină de clasă de eficiență energetică <F>.

VIII. DEPOZITAREA ALIMENTELOR

Compartimentul frigider

- Pentru a reduce umiditatea și, prin urmare, creșterea înghețului, nu trebuie să așezați niciodată în frigider lichide în recipiente neînchise etanș. Înghețul are tendința de a se concentra în cele mai reci părți ale lichidului evaporat și, cu timpul, va necesita o decongelare mai frecventă.
- Nu introduceți niciodată alimente calde în frigider. Alimentele calde trebuie lăsate să se răcească la temperatura camerei și trebuie aranjate astfel încât să asigure o circulație adecvată a aerului în compartimentul frigiderului.
- Asigurați-vă ca nici un recipient depozitat nu atinge peretele din spate al aparatului, întrucât aceasta va provoca lipirea gheții și a ambalajului. Nu deschideți ușa frigiderului prea frecvent.
- Depozitați carnea și peștele curățat (ambalate în pachete sau în foi din plastic) pe care intenționați să le utilizați în una-două zile, în partea de jos a compartimentului frigiderului (raftul de deasupra cutiei pentru legume și fructe), întrucât aceasta este cea mai rece secțiune și va asigura cele mai bune condiții de depozitare.
- Depozitați fructele și legumele neambalate în compartimentele destinate.
- Nu introduceți legume ude în frigider.
- Pentru a evita contaminarea încrucișată, nu depozitați produsele din carne împreună cu fructele și legumele. Apă care curge din carne poate contamina alte produse din frigider. Carnea și produsele din carne trebuie ambalate înainte de depozitare. Curățați orice scurgeri de pe rafturi.

Nota

- Pentru condiții normale de funcționare este suficient să reglați temperatura frigiderului la +4 °C.
- Temperatura compartimentului de refrigerare trebuie să se încadreze în intervalul 0-8 °C. Sub 0°C alimentele proaspete îngheata iar la temperaturi de peste 8°C încărcatura bacteriană crește și alimentele se strică.
- Nu puneți mâncarea fierbinte în frigider, așteptați ca aceasta să ajungă la temperatura camerei. Introducerea de alimente fierbinti în frigider cauzează creșterea temperaturii din interior.

Alimentele trebuie depozitate în frigider ambalate în recipiente închise sau acoperite pentru a preveni apariția umidității și a mirosurilor.

Tabelul de mai jos este un ghid rapid pentru a vă arăta cel mai eficient mod de a stoca principalele grupe de alimente în compartimentul frigider:

Aliment	Durată de depozitare maximă	Amplasare în compartimentul frigiderului
Legume și fructe	1 saptamana	Cutia pentru legume
Carne și pește	2 -3 zile	Înfășurate în folie, în pungi de plastic sau în cutii pentru carne (pe raftul de sticlă)
Brânză proaspătă	3-4 zile	Pe raftul special de pe ușă
Unt și margarină	1 saptamana	Pe raftul special de pe ușă
Produce îmbuteliate lapte și iaurt	Până la data de expirare specificată de producător	Pe raftul special de pe ușă
Ouă	1 luna	Pe suportul pentru ouă
Alimente gătite		Pe orice raft

Compartimentul congelator

- Utilizați congelatorul pentru depozitarea alimentelor congelate, pentru congelarea alimentelor proaspete și pentru producerea cuburilor de gheață.
- Atunci când congelați alimente proaspete, asigurați-vă că o cât mai mare parte a suprafeței alimentelor posibil este în contact cu suprafața de răcire.
- Nu depozitați alimente proaspete împreună cu alimente congelate deoarece acestea pot decongela alimentele congelate.
- Atunci când congelați alimente proaspete (de ex., carne, pește și carne tocată), împărțiți-o în porții pe care să le consumați o dată.
- După ce aparatul a fost decongelat, așezați alimentele în congelator și nu uitați să le consumați într-o perioadă scurtă de timp.
- Nu introduceți niciodată alimente calde în compartimentul congelator, întrucât acestea vor afecta alimentele congelate.
- Atunci când depozitați alimente congelate, respectați întotdeauna cu strictețe instrucțiunile prezentate pe ambalajul acestora iar dacă informațiile nu sunt furnizate, alimentele nu trebuie depozitate pentru mai mult de 3 luni de la data achiziției.
- La momentul cumpărării alimentelor congelate asigurați-vă că acestea au fost congelate la temperaturi potrivite, iar ambalajul este intact.
- Alimentele congelate trebuie să fie transportate în recipiente potrivite pentru a menține calitatea acestora și trebuie să fie puse în congelator în cel mai scurt timp cu putință.

- Dacă un pachet de alimente congelate prezintă semne de umiditate și umflare anormală, este probabil să fi fost depozitat anterior la o temperatură nepotrivită și conținutul s-a deteriorat.
- Perioada de depozitare ale alimentelor congelate depinde de temperatura camerei, setarea termostatului, frecvența de deschidere a ușii, tipul de alimente și perioada de timp necesară pentru transportul produsului de la magazin la locuința dumneavoastră. Respectați întotdeauna instrucțiunile de pe pachet și nu depășiți niciodată durata de depozitare specificată.
- Cantitatea maximă de alimente proaspete (în kg) care poate fi congelată în 24 de ore este indicată pe eticheta aparatului.
- Utilizați raftul pentru congelare rapidă pentru a congela alimentele gătite și pe cele care doriți să se congeleze mai repede. Rafturile pentru congelare rapidă sunt în mijlocul compartimentului congelatorului.

Rețineți: Dacă încercați să deschideți ușa congelatorului imediat după ce ați închis-o, veți constata că nu se deschide ușor. Lucrul acesta este normal. Ușa se va deschide ușor, după restabilirea echilibrului.

Tabelul de mai jos este un ghid rapid pentru a vă arăta cel mai eficient mod de stocare a principalelor grupe de alimente din compartimentul congelator.

Carne și pește	Pregătire	Durată de depozitare maximă (luni)
Cotlet	In folie	6-8
Carne de miel	In folie	6-8
Friptura de vitel	In folie	6-8
Cubulete de vitel	Bucatele mici	6-8
Cubulete de miel	Bucati	4-8
Carne tocata	In pachete fara condimente	1-3
Maruntaie (bucati)	Bucati	1-3
Salam	Ambalat chiar si cu membrana	
Pui si curcan	In folie	4-6
Gsca si rata	In folie	4-6
Caprioara, iupure, mistret	In portii de 2.5kg sau file	6-8
Peste de apa dulce (somon, crap)	După curățarea măruntaielor și a solzilor peștelui, spălați-l și uscați-l; dacă este cazul, tăiați-i coada și capul.	2
Peste slab (biban, calcan)		4
Peste gras (ton, macrou)		2-4
Scoici	Curățate și în pungi	4-6
Caviar	În ambalajul său, recipient din aluminiu sau din plastic	2-3
Melci	În apă sărată, recipient din aluminiu sau din plastic	3

Notă: Carnea congelată trebuie gătită ca și carnea proaspătă după dezghețare. În cazul în care carnea nu este gătită după decongelare, nu trebuie recongelată.

Produse lactate	Pregătire	Durată maximă de depozitare (luni)	Condiții de depozitare
Lapte ambalat (omogenizat)	În ambalajul propriu	2-3	Lapte integral - în ambalajul propriu
Brânză-cu excepția brânzeturilor albe	Felii	6-8	Pentru perioade scurte de depozitare, se poate folosi ambalajul original. Pentru perioade mai lungi, se înfășoară în folie.
Unt, margarină	În ambalajul propriu	6	

Legume si fructe	Pregatire	Durată maximă de depozitare (luni)
Fasole verde si fasole boabe	Se spală, se taie bucățele și se fierbe în apă	10-13
Pastai	Se desfac, se spală și se fierb în apă	12
Varza	Se curăță și se fierbe în apă	6-8
Morcov	Se curăță, se taie felii și se fierbe în apă	12
Ardei	Se taie codița, se taie în două, se scoate miezul și se fierbe în apă	8-10
Spanac	Se spală și se fierbe în apă	6-9
Conopida	Se scot frunzele, se taie miezul bucăți și se lasă un timp în apă cu puțin suc de lămâie	10-12
Vanata	Se spală și se taie în bucăți de 2cm	10-12
Porumb	Spălați-l și ambalați-l cu cocean sau boabe	12
Mere si pere	Se decojesc și se feliază	8-10
Caise si piersici	Se taie în două și se scoate sâmburele	4-6
Capsuni si mure	Se spală și se scot codițele	8-12
Fructe gatite	Se adaugă 10% zahăr în recipient	12
Prune, cirese, visine	Se spală și se scot codițele	8-12

	Durată maximă de depozitare (luni)	Durată de decongelare la temperatura camerei (ore)	Durată de decongelare în cuptor (min.)
Paine	4-6	2-3	4-5 (220-225 °C)
Biscuiti	3-6	1-1.5	5-8 (190-200 °C)
Produse de patiserie	1-3	2-3	5-10 (200-225 °C)
Placinta	1-1.5	3-4	5-8 (190-200 °C)
Foietaje	2-3	1-1.5	5-8 (190-200 °C)
Pizza	2-3	2-4	15-20 (200 °C)

TRANSPORTAREA ȘI SCHIMBAREA POZIȚIEI

Transportarea și schimbarea poziției de instalare

- Ambalajele originale și polistirenul spumă (PS) pot fi păstrate, dacă este nevoie.
- În timpul transportului aparatul ar trebui să fie legat cu o bandă lată sau cu o frânghie puternică. Regulile inscripționate pe cutie trebuie respectate în timpul transportului.
- Înainte de a transporta sau de a schimba poziția veche de instalare, toate accesoriile mobile (de ex., rafturile, cutia pentru legume și fructe, etc) ar trebui scoase sau fixate cu benzi, pentru a preveni deteriorarea acestora.

Transportați frigiderul în poziție verticală.

Repoziționarea ușii

- Nu este posibil să schimbați direcția de deschidere a ușii frigiderului dumneavoastră dacă mânerul ușii frigiderului este instalat din partea frontală a ușii.
- Este posibil să schimbați direcția de deschidere a ușilor la modelele fără mâner.
- Dacă direcția de deschidere a ușii frigiderului dumneavoastră poate fi schimbată, contactați cel mai apropiat service autorizat pentru a vă schimba direcția de deschidere a ușii.

IX. DEPANARE

Dacă aparatul frigorific nu funcționează corect, poate fi o problemă minoră, deci pentru a economisi timp și bani, verificați următoarele, înainte de a apela service.

Cum să procedați dacă aparatul nu funcționează:

Verificați dacă:

- Nu există alimentare cu energie electrică,
- Comutatorul general al locuinței dumneavoastră nu este deconectat,
- Priza nu este funcțională. Pentru a verifica acest lucru, conectați un alt aparat despre care știți că funcționează, în aceeași priză.

Cum să procedați dacă aparatul funcționează defectuos:

Verificați dacă:

- Nu ați supraîncărcat aparatul,
- Temperatura frigiderului este setată la MAX.
- Închiderea ușilor este perfectă,
- Nu există praf pe condensator,
- Există destul loc între partea din spate și pereți.

Dacă frigiderul face prea mult zgomot:

Zgomote normale

Pârâituri (de gheață crăpată):

- În timpul dezghețării automate.
- La răcirea sau încălzirea aparatului (datorită dilatației materialelor aparatului)

Pârâit scurt: Se aude când termostatul pornește/oprește compresorul.

Zgomotul compresorului:

- Zgomot normal al motorului: Acest zgomot indică funcționarea normală a compresorului.
- La prima pornire, compresorul poate să genereze un zgomot mai puternic pentru un scurt interval de timp.

Zgomot de bule și stropi: Acest sunet este produs de curgerea agentului frigorific prin tuburile sistemului.

Zgomot de apă care curge: Sunetul normal al apei care curge spre recipientul de evaporare în timpul dezghețării. Acest sunet poate fi auzit în timpul dezghețării.

Zgomot de aer suflat: Zgomotul normal al ventilatorului. Acest sunet poate fi auzit în frigidere în timpul funcționării normale a sistemului, datorită circulației aerului.

Dacă marginile frigiderului care sunt în contact cu ușa aparatului sunt calde:

În special vara (pe vreme caldă), suprafețele de contact se pot încălzi în timpul funcționării compresorului; acest lucru este normal.

Dacă în frigider se acumulează umiditate:

- Alimentele sunt ambalate corect? Recipientele sunt uscate înainte de a fi introduse în frigider?
- Ușile frigiderului sunt deschise frecvent? Umiditatea din încăperea pătrunde în frigider la deschiderea ușii. Umiditatea se acumulează mai rapid când deschideți mai frecvent ușa, în special dacă umiditatea din încăperea este ridicată.

Dacă ușile nu se deschid și nu se închid corect:

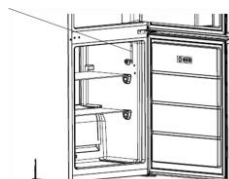
- Alimentele împiedică închiderea ușii?
- Compartimentele ușii, rafturile și sertarele sunt montate corect?
- Garniturile ușii sunt crăpate sau rupte?
- Frigiderul este montat pe o suprafață orizontală?

Recomandări

- Pentru oprirea completă a produsului, deconectați de la priza principală (pentru curățare și în momentul când ușa este lăsată deschisă)

Sfaturi pentru economisirea energiei

1. Instalați aparatul într-o cameră răcoasă, bine ventilată, dar nu în lumina directă a soarelui și nici în apropierea unei surse de căldură (radiator, aragaz etc.). În caz contrar, utilizați o tablă izolatoare.
2. Lăsați alimentele și băuturile calde să se răcească în exteriorul aparatului.
3. Când decongelați alimentele congelate, așezați-le în compartimentul frigiderului. Temperatura joasă a alimentelor congelate va contribui la răcirea compartimentului frigiderului, pe măsură ce acestea se decongelează. Aceasta va ajuta la economisirea energiei. Dacă alimentele congelate sunt amplasate în afara aparatului, se risipește energie.
4. Acoperiți băuturile sau alte lichide atunci când le introduceți în aparat pentru a nu crește umiditatea înăuntru acestuia. Astfel, se prelungeste timpul de funcționare. De asemenea, acoperirea băuturilor și a altor lichide va contribui la păstrarea mirosului și a gustului.
5. Încercați să nu țineți ușile deschise pentru mult timp și să nu deschideți ușile prea des, deoarece aerul cald va intra în frigider și va determina compresorul să pornească prea des.
6. Păstrați închise capacele compartimentelor cu temperaturi diferite din aparat (cutie pentru fructe și legume, răcitor etc.)
7. Garnitura ușii trebuie să fie curată și flexibilă. Înlocuiți garniturile dacă sunt uzate.
8. Consumul de energie al aparatului dumneavoastră este declarat fără sertare și cu compartimentul congelatorului încărcat complet.
9. Pentru a economisi energie, nu folosiți volumul dintre limita de încărcare și ușă, de-a lungul limitei maxime de încărcare. Limita maximă de încărcare este de asemenea folosită în declarația consumului de energie.



SERVICE ȘI ASISTENȚĂ PENTRU CLIEȚI

Utilizați numai piese de schimb originale.

Când contactați centrul nostru de service autorizat, asigurați-vă că aveți la îndemână următoarele informații: Denumirea modelului și numărul de serie.

Informațiile pot fi găsite pe plăcuța cu date tehnice. Acestea pot suferi modificări fără o notificare prealabilă.

DATE TEHNICE

Informațiile tehnice se află pe plăcuța cu date tehnice a aparatului și pe eticheta energetică. Codul QR de pe eticheta energetică furnizată împreună cu aparatul oferă un link web către informațiile din baza de date EPREL cu privire la performanțele aparatului.

Păstrați eticheta energetică pentru consultări ulterioare, împreună cu manualul de utilizare și cu toate celelalte documente furnizate împreună cu acest aparat.

De asemenea, puteți găsi aceleași informații în baza de date EPREL, folosind link-ul <https://eprel.ec.europa.eu> și denumirea modelului o găsiți pe plăcuța cu date tehnice a aparatului.

Pentru a accesa informațiile despre produsul Dvs în portalul EPREL, puteți scana codul de mai jos:

HC-VS268F+



HC-VS268SF+



Vă mulțumim pentru achiziționarea acestui produs! Dacă aveți nevoie de asistență în ceea ce privește produsul dumneavoastră, vizitați site-ul nostru web utilizând linkurile de mai jos:

Manuale de utilizare: <https://www.heinner.ro>

Informații referitoare la service: <https://www.heinner.ro>



MASURI PENTRU PROTECTIA MEDIULUI

Va informam ca persoanele fizice au urmatoarele obligatii prin legislatia specifica privind protectia mediului si regimul deseurilor:

- Deseurile de echipamente electrice si electronice (DEEE), pot contine substante periculoase pentru mediu si sanatatea umana. Conform OUG 5/2015, exista obligativitatea predarii acestora, pentru tratarea corespunzatoare si valorificarea componentelor reciclabile. Societatea Network One Distribution S.R.L. este platitoare de taxa de " timbru verde" pentru fiecare Echipament Electric si Electronic (EEE) pe care il pune pe piata. Acest cost asigura tratarea ulterioara a echipamentelor uzate colectate. Din acest motiv, odata ce devine deseu, produsul EEE poate fi predat gratuit operatorului Dvs. de salubritate, la magazine atunci cand achizitionati alt echipament similar, sistemul "unul la unu" sau la punctul de colectare organizat de Primaria Sectorului / localitatii Dvs.
- Simbolul (marcajul) aplicat produselor, care indica faptul ca deseurile DEEE, bateriile si acumulatorii - fac obiectul unei colectari separate, il reprezinta o pubea barata cu o cruce.



Aceste masuri vor ajuta la protejarea mediului

Societatea Network One Distribution S.R.L. este inregistrata in Registrul de punere pe piata a echipamentelor electrice si electronice, avand numarul de inregistrare: RO-2016-03-EEE-0201-IV. De asemenea, au fost intocmite si sunt gestionate: Registrul de Retragere EEE si Registrul de Rechemare EEE, in conformitate cu HG 322/2013. Totodata societatea este inregistrata in Registrul de punere pe piata a bateriilor, avnd numarul de inregistrare: RO-2011-03-B&A-0283.

Conformitatea cu directiva RoHS: Produsul pe care l-ati cumpărat este conform cu Directiva RoHS UE (2011/65/UE). Nu conține materialele dăunătoare și interzise specificate în Directivă.

Va multumim ca participati alaturi de noi la protejarea mediului si a sanatatii umane!



HEINNER este marcă înregistrată a companiei **Network One Distribution SRL**. Celelalte branduri și denumirile produselor sunt mărci de comerț sau mărci de comerț înregistrate ale respectivilor deținători.

Nicio parte a specificațiilor nu poate fi reprodusă sub nicio formă și prin niciun mijloc, nici utilizată pentru obținerea unor derivate precum traduceri, transformări sau adaptări, fără consimțământul prealabil al companiei NETWORK ONE DISTRIBUTION.

Copyright © 2013 Network One Distribution. Toate drepturile rezervate.

www.heinner.com, <http://www.nod.ro>

<http://www.heinner.com>, <http://www.nod.ro>



Acest produs este proiectat și realizat în conformitate cu standardele și normele Comunității Europene.

Importator: **Network One Distribution**

Str. Marcel Iancu, nr. 3-5, București, România

Tel: +40 21 211 18 56, www.heinner.com, www.nod.ro