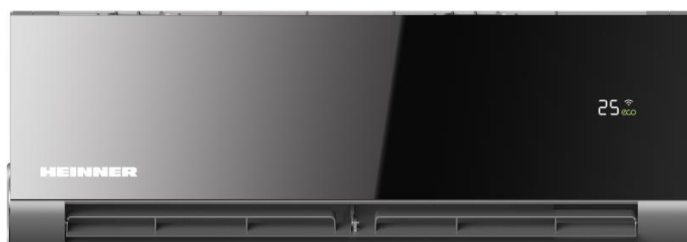


HEINNER

AIR CONDITIONER OBSIDIAN WIFI

Model: HAC-12OWF-BK /
HAC-12OWF-GD /
HAC-09OWF-BK



- Air conditioner
- Capacity: 9000 BTU / 12000BTU
- Color: black / gold

www.heinner.ro

Thank you for purchasing this product!

I. INTRODUCTION

Before using the appliance, please read carefully this instruction manual and keep it for future reference.

This instruction manual is designed to provide you with all required instructions related to the installation, use and maintenance of the appliance.

In order to operate the unit correctly and safety, please read this instruction manual carefully before installation and usage.

II. CONTENT OF YOUR PACKAGE

- **Air conditioner**
- **Remote controller**
- **User manual**
- **Warranty Card**
- **WIFI Kit**





CAUTION: Risk of fire / flammable materials (For R32/R290 units only)

WARNING: Servicing shall only be performed as recommended by the equipment manufacturer. Maintenance and repair requiring the assistance of other skilled personnel shall be carried out under the supervision of the person competent in the use of flammable refrigerants. For more details, please refer to the "Information on servicing on Installation manual. (This is only required for the unit adopts R32/R290 refrigerant).

Explanation of symbols displayed on the indoor unit or outdoor unit

	WARNING	This symbol shows that this appliance used a flammable refrigerant. If the refrigerant is leaked and exposed to an external ignition source, there is a risk of fire.
	CAUTION	This symbol shows that the operation manual should be read carefully.
	CAUTION	This symbol shows that a service personnel should be handling this equipment with reference to the installation manual.
	CAUTION	
	CAUTION	This symbol shows that information is available such as the operating manual or installation manual.

III. SAFETY MEASURES

This appliance can be used by children aged from 8 years and above and persons with reduced physical, sensory or mental capabilities or lack of experience and knowledge if they have been given supervision or instruction concerning use of the appliance in a safe way and understand the hazards involved. Children shall not play with the appliance. Cleaning and user maintenance shall not be made by children without supervision (European Union countries).

This appliance is not intended for use by persons (including children) with reduced physical, sensory or mental capabilities, or lack of experience and knowledge, unless they have been given supervision or instruction concerning use of the appliance by a person responsible for their safety. Children should be supervised to ensure that they do not play with the appliance. If an abnormal situation arises (like a burning smell), immediately turn off the unit and disconnect the power. Call your dealer for instructions to avoid electric shock, fire or injury.

- Do not insert fingers, rods or other objects into the air inlet or outlet. This may cause injury, since the fan may be rotating at high speeds.
- Do not use flammable sprays such as hair spray, lacquer or paint near the unit. This may cause fire or combustion.
- Do not operate the air conditioner in places near or around combustible gases. Emitted gas may collect around the unit and cause explosion.
- Do not operate your air conditioner in a wet room such as a bathroom or laundry room. Too much exposure to water can cause electrical components to short circuit.
- Do not expose your body directly to cool air for a prolonged period of time.
- Do not allow children to play with the air conditioner. Children must be supervised around the unit at all times.
- If the air conditioner is used together with burners or other heating devices, thoroughly ventilate the room to avoid oxygen deficiency.
- In certain functional environments, such as kitchens, server rooms, etc., the use of specially designed air-conditioning units is highly recommended.

Cleaning and maintenance warnings

- Turn off the device and disconnect the power before cleaning. Failure to do so can cause electrical shock
- Do not clean the air conditioner with excessive amounts of water.
- Do not clean the air conditioner with combustible cleaning agents. Combustible cleaning agents can cause fire or deformation.

Caution

- Turn off the air conditioner and disconnect the power if you are not going to use it for a long time.
- Turn off and unplug the unit during storms.
- Make sure that water condensation can drain unhindered from the unit.
- Do not operate the air conditioner with wet hands. This may cause electric shock.
- Do not use device for any other purpose than its intended use.
- Do not climb onto or place objects on top of the outdoor unit.
- Do not allow the air conditioner to operate for long periods of time with doors or windows open, or if the humidity is very high.

Electrical warnings

- Only use the specified power cord. If the power cord is damaged, it must be replaced by the manufacturer, its service agent or similarly qualified persons in order to avoid a hazard.
- Keep power plug clean. Remove any dust or grime that accumulates on or around the plug. Dirty plugs can cause fire or electric shock.
- Do not pull power cord to unplug unit. Hold the plug firmly and pull it from the outlet. Pulling directly on the cord can damage it, which can lead to fire or electric shock.
- Do not modify the length of the power supply cord or use an extension cord to power the unit.
- Do not share the electrical outlet with other appliances. Improper or insufficient power supply can cause fire or electrical shock.
- The product must be properly grounded at the time of installation, or electrical shock may occur.
- For all electrical work, follow all local and national wiring standards, regulations, and the Installation Manual. Connect cables tightly and clamp them securely to prevent external forces from damaging the terminal. Improper electrical connections can overheat and cause fire and may also cause shock. All electrical connections must be made according to the Electrical Connection Diagram located on the panels of the indoor and outdoor units.
- All wiring must be properly arranged to ensure that the control board cover can close properly. If the control board cover is not closed properly, it can lead to corrosion and cause the connection points on the terminal to heat up, catch fire, or cause electrical shock.
- If connecting power to fixed wiring, an all-pole disconnection device which has at least 3mm clearances in all poles, and have a leakage current that may exceed 10mA, the residual current device(RCD) having a rated residual operating current not exceeding 30mA, and disconnection must be incorporated in the fixed wiring in accordance with the wiring rules.

Fuse specifications

The air conditioner's circuit board (PCB) is designed with a fuse to provide overcurrent protection. The specifications of the fuse are printed on the circuit board, such as: T3.15AL/250VAC, T5AL/250VAC, T3.15A/250VAC, T5A/250VAC, T20A/250VAC, T30A/250VAC, etc.

NOTE: For the units using R32 or R290 refrigerant, only the blast-proof ceramic fuse can be used.

Warnings for product installation

1. Installation must be performed by an authorized dealer or specialist. Defective installation can cause water leakage, electrical shock, or fire.
2. Installation must be performed according to the installation instructions. Improper installation can cause water leakage, electrical shock, or fire. (In North America, installation must be performed in accordance with the requirement of NEC and CEC by authorized personnel only.)
3. Contact an authorized service technician for repair or maintenance of this unit. This appliance shall be installed in accordance with national wiring regulations.
4. Only use the included accessories, parts, and specified parts for installation. Using non-standard parts can cause water leakage, electrical shock, fire, and can cause the unit to fail.
5. Install the unit in a firm location that can support the unit's weight. If the chosen location cannot support the unit's weight, or the installation is not done properly, the unit may drop and cause serious injury and damage.

6. Install drainage piping according to the instructions in this manual. Improper drainage may cause water damage to your home and property.
7. For units that have an auxiliary electric heater, do not install the unit within 1 meter (3 feet) of any combustible materials.
8. Do not install the unit in a location that may be exposed to combustible gas leaks. If combustible gas accumulates around the unit, it may cause fire.
9. Do not turn on the power until all work has been completed.
10. When moving or relocating the air conditioner, consult experienced service technicians for disconnection and reinstallation of the unit.
11. How to install the appliance to its support, please read the information for details in "indoor unit installation" and "outdoor unit installation" sections.

Fluorinated Gasses (Not applicable to the unit using R290 Refrigerant)

1. This air-conditioning unit contains fluorinated greenhouse gasses. For specific information on the type of gas and the amount, please refer to the relevant label on the unit itself or the "Owner's Manual - Product Fiche " in the packaging of the outdoor unit. (European Union products only).
2. Installation, service, maintenance and repair of this unit must be performed by a certified technician.
3. Product uninstallation and recycling must be performed by a certified technician.
4. For equipment that contains fluorinated greenhouse gases in quantities of 5 tonnes of CO₂ equivalent or more, but of less than 50 tonnes of CO₂ equivalent, If the system has a leak-detection system installed, it must be checked for leaks at least every 24 months.
5. When the unit is checked for leaks, proper record-keeping of all checks is strongly recommended.

Warning for using R32/R290 refrigerant

- When flammable refrigerant are employed, appliance shall be stored in a well - ventilated area where the room size corresponds to the room area as specified for operation.
For R32 refrigerant models:
Appliance shall be installed, operated and stored in a room with a floor area larger than 4m². Appliance shall not be installed in an unventilated space, if that space is smaller than 4m².
For R290 refrigerant models, the minimum room size needed:
≤9000Btu/h units: 13m²
>9000Btu/h and ≤12000Btu/h units: 17m²
>12000Btu/h and ≤18000Btu/h units: 26m²
>18000Btu/h and ≤24000Btu/h units: 35m²
- Reusable mechanical connectors and flared joints are not allowed indoors. (EN Standard Requirements).
Mechanical connectors used indoors shall have a rate of not more than 3g/year at 25% of the maximum allowable pressure. When mechanical connectors are reused indoors, sealing parts shall be renewed. When flared joints are reused indoors, the flare part shall be re-fabricated. (UL Standard Requirements)
When mechanical connectors are reused indoors, sealing parts shall be renewed. When flared joints are reused indoors, the flare part shall be re-fabricated. (IEC Standard Requirements)
- Mechanical connectors used indoors shall comply with ISO 14903

Disposal guidelines

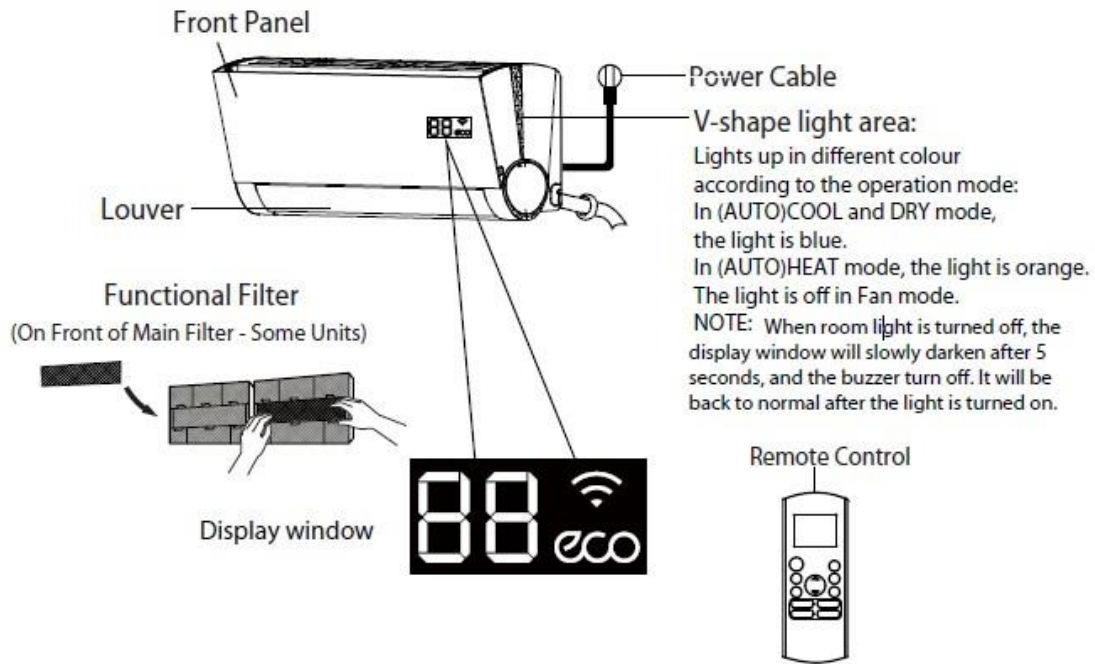
This appliance contains refrigerant and other potentially hazardous materials. When disposing of this appliance, the law requires special collection and treatment. Do not dispose of this product as household waste or unsorted municipal waste.

When disposing of this appliance, you have the following options:

- Dispose of the appliance at designated municipal electronic waste collection facility.
- When buying a new appliance, the retailer will take back the old appliance free of charge.
- The manufacturer will take back the old appliance free of charge.
- Sell the appliance to certified scrap metal dealers.

Disposing of this appliance in the forest or other natural surroundings endangers your health and is bad for the environment. Hazardous substances may leak into the ground water and enter the food chain.

IV. DESCRIPTION



NOTE: Different models have different front panel and display window. Not all the indicators describing below are available for the air conditioner you purchased. Please check the indoor display window of the unit you purchased.

Illustrations in this manual are for explanatory purposes. The actual shape of your indoor unit may be slightly different. The actual shape shall prevail.

DISPLAY CODE MEANINGS

ON – for 3 seconds when:

- TIMER ON is set (if the unit is off, “On” remains on when TIMER ON is set)
- FRESH, SWING, TURBO, or SILENCE features are turned on

OF – for 3 seconds when:


- TIMER OFF is set
- SWING, TURBO, or SILENCE features are turned off


cF - when anti-cold air feature is turned on

dF – when defrosting

FP – when 8°C heating feature is turned on (some units)

SC – when unit is self-cleaning (some units)

 - when WIFI Control feature is activated

 - when ECO function is activated

 Displays temperature, operation feature and error codes.

In Fan mode, the unit will display the room temperature.

When room light is turned off, the display window will slowly darken after 5 seconds, and the buzzer turn on. It will be back to normal after the light is turned on.

In other modes, the unit will display your temperature setting.

ACHIEVING OPTIMAL PERFORMANCE

Optimal performance for the COOL, HEAT, and DRY modes can be achieved in the following temperature ranges. When your air conditioner is used outside of the following temperature ranges, certain safety protection features may activate and cause the unit to disable.

	COOL mode	HEAT mode	DRY mode
Room Temperature	17°C - 32°C (62°F - 90°F)	0°C - 30°C (32°F - 86°F)	10°C - 32°C (50°F - 90°F)
Outdoor Temperature	0°C - 50°C (32°F - 122°F)		
	-15°C - 50°C (5°F - 122°F) (For models with low temp. cooling systems.)	-15°C - 30°C (5°F - 86°F)	0°C - 50°C (32°F - 122°F)
	0°C - 52°C (32°F - 126°F) (For special tropical models)		0°C - 52°C (32°F - 126°F) (For special tropical models)

FOR OUTDOOR UNITS WITH AUXILIARY ELECTRIC HEATER

When outside temperature is below 0°C (32°F), we strongly recommend keeping the unit plugged in at all time to ensure smooth ongoing performance.

Fixed speed type

	COOL mode	HEAT mode	DRY mode
Room Temperature	17°C-32°C (62°F-90°F)	0°C-30°C (32°F-86°F)	10°C-32°C (50°F-90°F)
Outdoor Temperature	18°C-43°C (64°F-109°F)		11°C-43°C (52°F-109°F)
	-7°C-43°C (19°F-109°F) (For models with low-temp cooling systems)	-7°C-24°C (19°F-75°F)	18°C-43°C (64°F-109°F)
	18°C-52°C (64°F-126°F) (For special tropical models)		18°C-52°C (64°F-126°F) (For special tropical models)

NOTE: Room relative humidity less than 80%. If the air conditioner operates in excess of this figure, the surface of the air conditioner may attract condensation. Please sets the vertical air flow louver to its maximum angle (vertically to the floor) and set HIGH fan mode.

To further optimize the performance of your unit, do the following:

- Keep doors and windows closed.
- Limit energy usage by using TIMER ON and TIMER OFF functions.
- Do not block air inlets or outlets.
- Regularly inspect and clean air -lters.

For a detailed explanation of each function, refer to the Remote Control Manual.

ILLUSTRATIONS IN THIS MANUAL ARE FOR EXPLANATORY PURPOSES. THE ACTUAL SHAPE OF YOUR INDOOR UNIT MAY BE SLIGHTLY DIFFERENT. THE ACTUAL SHAPE SHALL PREVAIL.

V. FUNCTIONS

- **Auto-Restart**

If the unit loses power, it will automatically restart with the prior settings once power has been restored.

- **Intelligent Light Detection**

When room light is turned off, the display window and V-shape light area will slowly darken after 5 seconds, and the buzzer turn Off. It will be back to normal after the light is turned on.

NOTE: When room light is bright, the display window and V-shape area remains on. When the room light is dark, you can press the LED button on the remote controller to turn on/of the display window.

- **Wi-Fi Control**

Wi-Fi control allows you to control your air conditioner using your mobile phone and a Wi-Fi connection.

For the USB device access, replacement, maintenance operations must be carried out by professional staff.

- **Louver Angle Memory**

When turning on your unit, the louver will automatically resume its former angle.

- **Refrigerant Leakage Detection**

The indoor unit will automatically display "EC" or "ELOC" when it detects refrigerant leakage.

- **Smart Air Manager (Forest Wind)**

When the unit is under COOL or AUTO mode, press the SWING button on the remote controller, it will blow out very comfortable & quiet wind, which brings you feeling of nature.

For a detailed explanation of your unit's advanced functionality (such as TURBO mode, Follow me, SILENT, 8°C Heating and its self-cleaning functions), refer to the Remote Control Manual.

- **Setting Angle Of Air Flow**

Setting vertical angle of air flow

While the unit is on, use the SWING /DIRECT button to set the direction (vertical angle) of airflow.

1. Press the SWING /DIRECT button once to activate the louver. Each time you press the button, it will adjust the louver by 6°.

Press the button until the direction you prefer is reached.

2. To make the louver swing up and down continuously, press and hold the SWING/DIRECT button for 3 seconds. Press it again to stop the automatic function.

Setting horizontal angle of air flow

The horizontal angle of the airflow must be set manually. Grip the deflector rod and manually adjust it to your preferred direction.

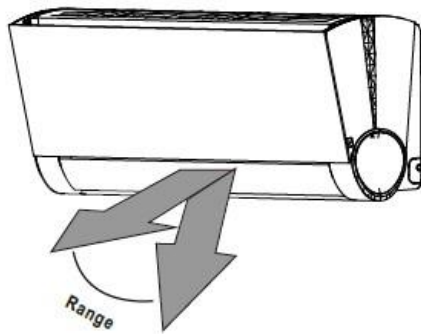
For some units, the horizontal angle of the airflow can be set by remote control. please refer to the Remote Control Manual.

• Note on louver angles

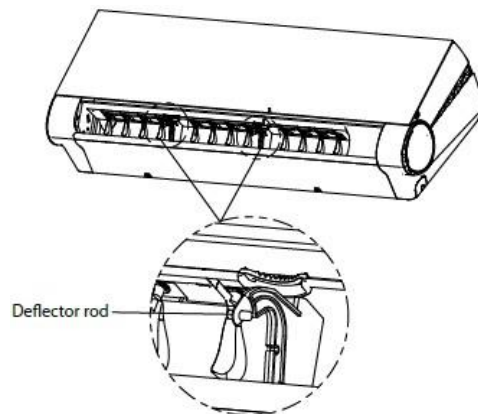
When using COOL or DRY mode, do not set louver at too vertical an angle for long periods of time. This can cause water to condense on the louver blade, which will drop on your floor or furnishings.

When using COOL or HEAT mode, setting the louver at too vertical an angle can reduce the performance of the unit due to restricted air flow.

Do not move louver by hand. This will cause the louver to become out of sync. If this occurs, turn off the unit and unplug it for a few seconds, then restart the unit. This will reset the louver.



Caution: Do not keep louver at too vertical an angle for long periods of time. This can cause water condensation to drip on your furnishings.



CAUTION

Do not put your fingers in or near the blower and suction side of the unit. The high-speed fan inside the unit may cause injury.

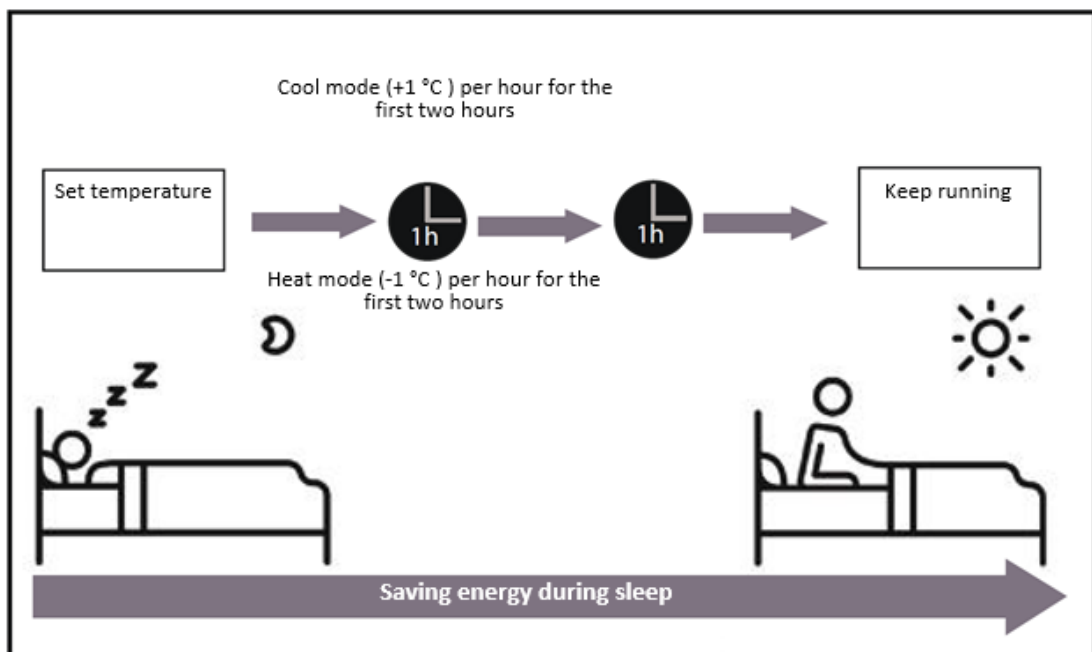
• **Sleep Operation**

The SLEEP function is used to decrease energy use while you sleep (and don't need the same temperature settings to stay comfortable). This function can only be activated via remote control.

Press the SLEEP button when you are ready to go to sleep. When in COOL mode, the unit will increase the temperature by 1°C (2°F) after 1 hour, and will increase an additional 1°C (2°F) after another hour. When in HEAT mode, the unit will decrease the temperature by 1°C (2°F) after 1 hour, and will decrease an additional 1°C (2°F) after another hour.

The sleep feature will stop after 8 hours and the system will keep running with final situation.

Note: The SLEEP function is not available in FAN or DRY mode.



Setting vertical angle of airflow

While the unit is on, use the SWING/DIRECT button on remote control to set the direction (vertical angle) of airflow. Please refer to the Remote Control Manual for details.

VI. USING INSTRUCTIONS (WITHOUT REMOTE CONTROLLER)

How to operate your unit without the remote control

In the event that your remote control fails to work, your unit can be operated manually with the MANUAL CONTROL button located on the indoor unit. Note that manual operation is not a long-term solution, and that operating the unit with your remote control is strongly recommended.

BEFORE MANUAL OPERATION

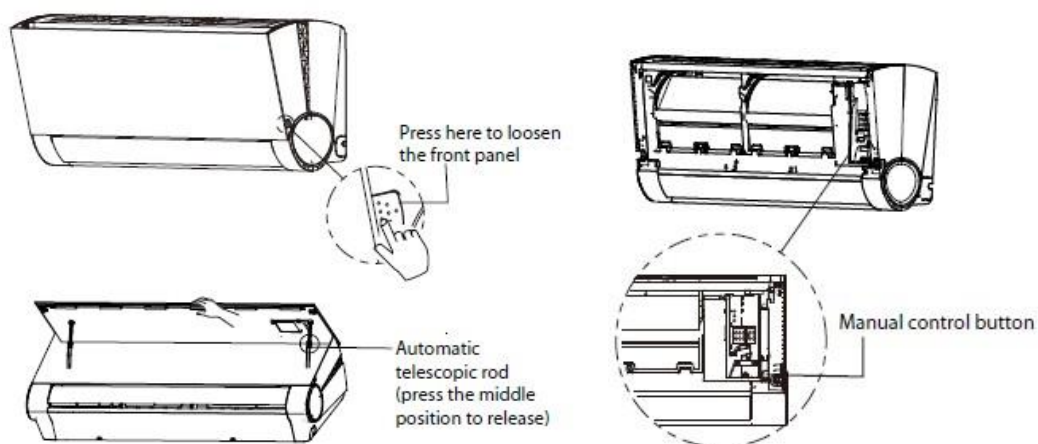
Unit must be turned Off before manual operation.

To operate your unit manually:

- 1 . Press the button on both side of the indoor unit to loosen the panel, then lift the front panel up, use the automatic telescopic rod to prop up the panel.
- 2 . Locate the MANUAL CONTROL button on the right-hand side of the unit. Press the recessed button with your finger or the tip of a ballpoint pen.
- 3 . Press the MANUAL CONTROL button one time to activate FORCED AUTO mode.
- 4 . Press the MANUAL CONTROL again to activate FORCED COOLING mode.
- 5 . Press the MANUAL CONTROL button a third time to turn the unit off.
- 6 . Hold the panel by hand, and press the middle position of the automatic telescopic rod to close the front panel.

CAUTION

The manual button is intended for testing purposes and emergency operation only. Please do not use this function unless the remote is lost and it is absolutely necessary. To restore regular operation, use the remote control to activate the unit.



VII. CLEANING AND MAINTENANCE



BEFORE CLEANING

ALWAYS TURN OFF YOUR AIR CONDITIONER SYSTEM AND DISCONNECT ITS POWER SUPPLY BEFORE CLEANING OR MAINTENANCE.

NOTE: Power supply must be disconnected before cleaning the indoor unit.



CAUTION!

Only use a soft, dry cloth to wipe the unit clean. If the unit is especially dirty, you can use a cloth soaked in warm water to wipe it clean.

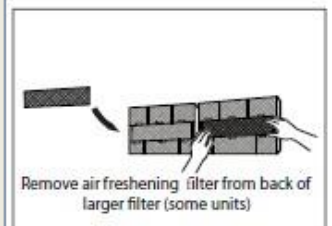
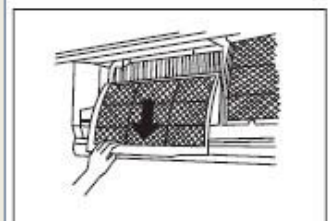
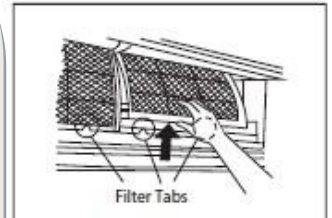
- Do not use chemicals or chemically treated cloths to clean the unit
- Do not use benzene, paint thinner, polishing powder or other solvents to clean the unit. They can cause the plastic surface to crack or deform.
- Do not use water hotter than 40°C (104°F) to clean the front panel. This can cause the panel to deform or become discolored.

Cleaning the air filter

A clogged air conditioner can reduce the cooling efficiency of your unit, and can also be bad for your health. Make sure to clean the filter once every two weeks.

1. Press the button on both side of the indoor unit to loosen the panel, then lift the front panel up, use the suspension bar to prop up the panel.
2. Grip the tab on the end of the filter, push it up slightly, then pull it a little towards yourself.
3. Now pull down to extract the filter.
4. If your filter has a small air freshening filter, unclip it from the larger filter. Clean this air freshening filter with a hand-held vacuum.
5. Clean the large air filter with warm, soapy water. Be sure to use a mild detergent.
6. Rinse the filter with fresh water, then shake off excess water.
7. Dry it in a cool, dry place, and refrain from exposing it to direct sunlight.
8. When dry, re-clip the air freshening filter to the larger filter, then slide it back into the indoor unit.
9. Close the front panel of the indoor unit.

NOTE: After cleaning, re-connect the power the front panel will reset its position.





CAUTION!

- Do not touch air freshening filter for at least 10 minutes after turning off the unit.
- Before changing the filter or cleaning, turn off the unit and disconnect its power supply.
- When removing filter, do not touch metal parts in the unit. The sharp metal edges can cut you.
- Do not use water to clean the inside of the indoor unit. This can destroy insulation and cause electrical shock.
- Do not expose filter to direct sunlight when drying. This can shrink the filter.

Air Filter Reminders (Optional)

Air Filter Cleaning Reminder

After 240 hours of use, the display window on the indoor unit will flash “CL.” This is a reminder to clean your filter. After 15 seconds, the unit will revert to its previous display.

To reset the reminder, press the LED button on your remote control 4 times, or press the MANUAL CONTROL button 3 times. If you don’t reset the reminder, the “CL” indicator will flash again when you restart the unit.

Air Filter Replacement Reminder

After 2880 hours of use, the display window on the indoor unit will flash “nF.” This is a reminder to replace your filter. After 15 seconds, the unit will revert to its previous display.

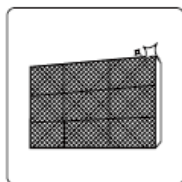


CAUTION!

- Any maintenance and cleaning of outdoor unit should be performed by an authorized dealer or licensed service provider.
- Any unit repairs should be performed by authorized dealer or licensed service provider.

Maintenance – Long Periods of Non-Use

If you plan not to use your air conditioner for an extended period of time, do the following:



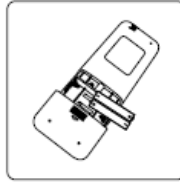
Clean all filters



Turn on FAN function until unit dries out completely



Turn off the unit and disconnect the power



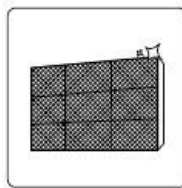
Remove batteries from remote control

Maintenance – Pre-Season Inspection

After long periods of non-use, or before periods of frequent use, do the following:



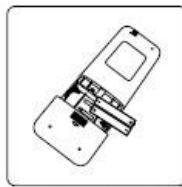
Check for damaged wires



Clean all filters



Check for leaks



Replace batteries



Make sure nothing is blocking all air inlets and outlets

VIII. TROUBLESHOOTING

SAFETY PRECAUTIONS

If ANY of the following conditions occurs, turn off your unit immediately!

- The power cord is damaged or abnormally warm
- You smell a burning odor
- The unit emits loud or abnormal sounds
- A power fuse blows or the circuit breaker frequently trips
- Water or other objects fall into or out of the unit

DO NOT ATTEMPT TO FIX THESE YOURSELF! CONTACT AUTHORIZED SERVICE PROVIDER IMMEDIATELY!

Symptom	Cause
Unit does not turn on when pressing ON/OFF button	The Unit has a 3-minute protection feature that prevents the unit from overloading. The unit cannot be restarted within three minutes of being turned off.
The unit changes from COOL/HEAT mode to FAN mode	The unit may change its setting to prevent frost from forming on the unit. Once the temperature increases, the unit will start operating in the previously selected mode again.
	The set temperature has been reached, at which point the unit turns off the compressor. The unit will continue operating when the temperature fluctuates again.
The indoor unit emits white mist	In humid regions, a large temperature difference between the room's air and the conditioned air can cause white mist.
Both the indoor and outdoor units emit white mist	When the unit restarts in HEAT mode after defrosting, white mist may be emitted due to moisture generated from the defrosting process.
The indoor unit makes noises	A rushing air sound may occur when the louver resets its position.
	A squeaking sound may occur after running the unit in HEAT mode due to expansion and contraction of the unit's plastic parts.
Both the indoor unit and outdoor unit make noises	Low hissing sound during operation: This is normal and is caused by refrigerant gas flowing through both indoor and outdoor units.
	Low hissing sound when the system starts, has just stopped running, or is defrosting: This noise is normal and is caused by the refrigerant gas stopping or changing direction.
	Squeaking sound: Normal expansion and contraction of plastic and metal parts caused by temperature changes during operation can cause squeaking noises.
The outdoor unit makes noises	The unit will make different sounds based on its current operating mode.
Dust is emitted from either the indoor or outdoor unit	The unit may accumulate dust during extended periods of non-use, which will be emitted when the unit is turned on. This can be mitigated by covering the unit during long periods of inactivity.
The unit emits a bad odor	The unit may absorb odors from the environment (such as furniture, cooking, cigarettes, etc.) which will be emitted during operations.
	The unit's filters have become moldy and should be cleaned.

The fan of the outdoor unit does not operate	During operation, the fan speed is controlled to optimize product operation.
Operation is erratic, unpredictable, or unit is unresponsive	Interference from cell phone towers and remote boosters may cause the unit to malfunction. In this case, try the following: <ul style="list-style-type: none"> • Disconnect the power, then reconnect. • Press ON/OFF button on remote control to restart operation.

PROBLEM	POSSIBLE CAUSES	SOLUTION
Poor cooling performance	Temperature setting may be higher than ambient room temperature	Lower the temperature setting
	The heat exchanger on the indoor or outdoor unit is dirty	Clean the affected heat exchanger
	The air filter is dirty	Remove the filter and clean it according to instructions
	The air inlet or outlet of either unit is blocked	Turn the unit off, remove the obstruction and turn it back on
	Doors and windows are open	Make sure that all doors and windows are closed while operating the unit
	Excessive heat is generated by sunlight	Close windows and curtains during periods of high heat or bright sunshine
	Too many sources of heat in the room (people, computers, electronics, etc.)	Reduce amount of heat sources
	Low refrigerant due to leak or long-term use	Check for leaks, re-seal if necessary and top off refrigerant
	SILENCE function is activated	SILENCE function can lower product performance by reducing operating frequency. Turn off SILENCE function.
The unit is not working	Power failure	Wait for the power to be restored
	The power is turned off	Turn on the power
	The fuse is burned out	Replace the fuse
	Remote control batteries are dead	Replace batteries
	The Unit's 3-minute protection has been activated	Wait three minutes after restarting the unit
	Timer is activated	Turn timer off
The unit starts and stops frequently	There's too much or too little refrigerant in the system	Check for leaks and recharge the system with refrigerant.
	Incompressible gas or moisture has entered the system.	Evacuate and recharge the system with refrigerant
	The compressor is broken	Replace the compressor
	The voltage is too high or too low	Install a manostat to regulate the voltage
Poor heating	The outdoor temperature is lower than 7°C (44.5°F)	Use auxiliary heating device

performance	Cold air is entering through doors and windows	Make sure that all doors and windows are closed during use
	Low refrigerant due to leak or long-term use	Check for leaks, re-seal if necessary and top off refrigerant
Indicator lamps continue flashing	<p>The unit may stop operation or continue to run safely. If the indicator lamps continue to flash or error codes appear, wait for about 10 minutes. The problem may resolve itself. If not, disconnect the power, then connect it again. Turn the unit on. If the problem persists, disconnect the power and contact your nearest customer service center.</p>	
<p>Error code appears in the window display of indoor unit:</p> <ul style="list-style-type: none"> • E0, E1, E2... • P1, P2, P3... • F1, F2, F3... 		

NOTE: If your problem persists after performing the checks and diagnostics above, turn off your unit immediately and contact an authorized service center.

 CAUTION

In the case of ANY of the following, turn off the unit immediately!

- Power cord is damaged or abnormally warm.
- Burning odors are smelled.
- Loud or abnormal sounds are heard.
- A power fuse blows or a circuit breaker trips frequently.
- Water or other objects fall into or out of the unit.

** DO NOT ATTEMPT TO CORRECT THESE ITEMS YOURSELF!
CONTACT AN AUTHORIZED SERVICE PROVIDER!**

IX. TECHNICAL DATA

Model	HAC-12OWF-BK	HAC-12OWF-GD	HAC-09OWF-BK
Power	1208-1340 W	1208/1340 W	712-771 W
Voltage	220-240V, 50Hz	220-240V, 50Hz	220-240V, 50Hz
Cooling capacity	12000 BTU	12000 BTU	9000BTU
Noise level	50/63 dB	50/63 dB	50/63 dB
Color	black	gold	black



Environment friendly disposal

You can help protect the environment!

Please remember to respect the local regulations: hand in the non-working electrical equipment's to an appropriate waste disposal center.



HEINNER is a registered trademark of **Network One Distribution SRL**. Other brands and product names are trademarks or registered trademarks of their respective holders.

No part of the specifications may be reproduced in any form or by any means or used to make any derivative such as translation, transformation, or adaptation without permission from NETWORK ONE DISTRIBUTION.

Copyright © 2013 Network One Distribution. All rights reserved.

www.heinner.com, <http://www.nod.ro>



This product is in conformity with norms and standards of European Community.

Importer: **Network One Distribution**

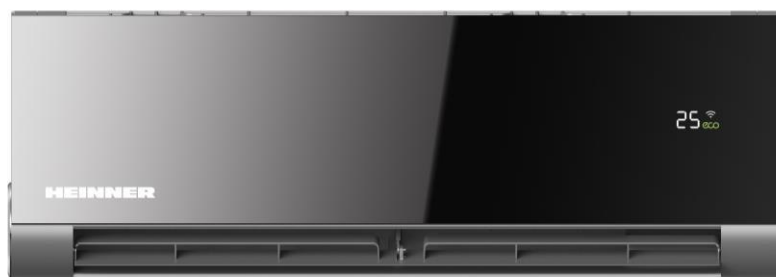
Marcel Iancu Street, 3-5, Bucharest, Romania

Tel: +40 21 211 18 56, www.heinner.com, www.nod.ro

HEINNER

APARAT DE AER CONDIȚIONAT OBSIDIAN WIFI

Model: HAC-12OWF-BK / HAC-12OWF-GD /
HAC-09OWF-BK



- Aparat de aer condiționat
- Capacitate: 9000 BTU / 12000BTU
- Culoare: negru / auriu

www.heinner.ro

Vă mulțumim pentru alegerea acestui produs!

I. INTRODUCERE

Înainte de a utiliza acest aparat, citiți cu atenție manualul de instrucțiuni și păstrați-l pentru consultări ulterioare.

Acest manual este conceput pentru a vă oferi toate instrucțiunile necesare referitoare la instalarea, utilizarea și întreținerea aparatului.

Pentru utilizarea corectă și în siguranță a aparatului, vă rugăm să citiți cu atenție acest manual de instrucțiuni, înainte de instalare și utilizare.

II. CONȚINUTUL PACHETULUI DUMNEAVOASTRĂ

- **Aparat de aer condiționat**
- **Telecomandă**
- **Manual de utilizare**
- **Certificat de garanție**
- **Kit WIFI**





Atentie: Risc de incendiu / materiale inflamabile

AVERTISMENT: Lucrarile de intretinere se vor efectua numai conform recomandarilor producatorului echipamentului. Intretinerea si reparatia care necesita asistenta unui alt personal calificat se efectueaza sub supravegherea persoanei competente in utilizarea agentilor frigorifici inflamabili. Pentru mai multe detalii, consultati sectiunea Informatii privind asistenta tehnica in MANUALUL DE INSTALARE.

Explicarea simbolurilor afisate pe unitatea de interior sau pe unitatea de exterior:

	AVERTISMENT	Acest simbol arata ca acest aparat a folosit un agent frigorific inflamabil. Daca agentul frigorific se scurge si este expus la o sursa de aprindere externa, exista riscul de incendiu.
	PRECAUTIE	Acest simbol arata ca manualul de operare trebuie citit cu atentie.
	PRECAUTIE	Acest simbol arata ca personalul calificat trebuie sa se ocupe de acest echipament cu referire la manualul de instalare.
	PRECAUTIE	Acest simbol arata ca sunt disponibile informatii, cum ar fi manualul de operare sau manualul de instalare.

III. MĂSURI DE SIGURANȚĂ

Aparatul poate fi utilizat de către copii cu vârste începând de la 8 ani și de către persoane cu capacități fizice, senzoriale sau mentale reduse, cu lipsă de experiență sau cunoștințe, numai dacă acestea sunt supravegheate sau instruite în ceea ce privește utilizarea în siguranță a aparatului și dacă înțeleg pericolele pe care le implică utilizarea. Copiii nu au voie să se joace cu aparatul. Curățarea și întreținerea nu trebuie efectuate de către copii nesupravegheați (statele din Uniunea Europeană).

Aparatul nu este destinat utilizării de către persoane (inclusiv copii) care au capacități fizice, senzoriale sau mentale reduse, sau cărora le lipsesc experiența și cunoștințele necesare, decât dacă sunt supravegheate sau au fost instruite cu privire la utilizarea aparatului de către o persoană care răspunde pentru siguranța acestora. Copiii trebuie supravegheați, astfel încât aceștia să nu se joace cu aparatul.

În cazul apariției unei situații anormale (cum ar fi un miros de ars), opriți imediat aparatul și scoateți ștecărul din priză. Contactați distribuitorul pentru instrucțiuni cu privire la evitarea electrocutării, incendiilor și vătămărilor.

- Nu introduceți degetele, tije sau alte obiecte în orificiile de admisie sau evacuare a aerului. Acest lucru poate cauza vătămări, deoarece ventilatorul se poate roti la viteze mari.
- Nu utilizați în apropierea unității spray-uri inflamabile, cum ar fi spray-urile de par, lacuri sau vopsele. Acest lucru poate cauza un incendiu.
- Nu utilizați aparatul de aer condiționat în locuri unde pot fi emise gaze inflamabile. Gazele emise se pot acumula în jurul unității și pot provoca explozii.
- Nu folosiți aparatul de aer condiționat într-o cameră umedă, cum ar fi o cameră de baie sau o spălătorie. Expunerea excesivă la apă poate duce la scurtcircuitarea componentelor.
- Nu vă expuneți corpul la fluxul direct de aer rece pentru o perioadă îndelungată.
- Nu permiteți copiilor să se joace cu aparatul de aer condiționat. Copiii care se află în preajma aparatului trebuie supravegheați permanent.
- Dacă aparatul de aer condiționat este utilizat împreună cu arzătoare sau alte dispozitive de încălzire, aerisiți bine camera pentru a evita deficitul de oxigen.
- În cadrul anumitor medii funcționale, cum ar fi bucătăriile, camerele de servere etc., se recomandă utilizarea aparatelor de aer condiționat special concepute.

Avertismente privind curățarea și întreținerea

- Înainte de curățare, opriți aparatul și deconectați ștecărul. În caz contrar, există riscul de electrocutare.
- Nu utilizați cantități excesive de apă pentru curățarea aparatului de aer condiționat.
- Nu curățați aparatul de aer condiționat cu agenți de curățare inflamabili. Agenții de curățare inflamabili pot provoca incendiu sau deformări.

Atenție!

- Opriți aparatul de aer condiționat și scoateți ștecărul din priză în cazul în care nu utilizați aparatul pentru o perioadă îndelungată.
- Opriți aparatul de aer condiționat și scoateți ștecărul din priză în timpul furtunilor.
- Asigurați-vă apa de condensare se poate scurge nestingherit din aparat.
- Nu acționați butoanele: aparatului de aer condiționat cu mâinile umede. Pericol de electrocutare!
- Nu utilizați aparatul în alt scop decât cel pentru care a fost proiectat.
- Nu vă urcați pe suprafața superioară a unității exterioare și nu puneți obiecte pe aceasta.

- În cazul în care uşile sau ferestrele sunt deschise sau dacă umiditatea este foarte ridicată, nu lăsaţi aparatul de aer condiţionat să funcţioneze pentru o perioadă îndelungată.

Avertismente privind riscurile electrice

- Utilizaţi numai cablul de alimentare recomandat. Pentru evitarea pericolelor, în cazul în care cablul de alimentare este deteriorat, acesta trebuie înlocuit de către producător, de către agentul său de service sau de persoane cu o calificare similară.
- Păstraţi ştecărul curat. Îndepărtaţi praful sau murdăria care se acumulează pe ştecăr sau în jurul acestuia. Ştecărele murdare pot duce la incendiu sau electrocutare.
- Nu trageţi de cablul de alimentare pentru a-l scoate din priză. Țineți ferm ştecărul și trageți-l din priză. În cazul în care trageți direct de cablu, acesta se poate deteriora și poate duce la provocarea unui incendiu sau la electrocutare.
- Nu modificați lungimea cablului de alimentare și nu utilizați un prelungitor pentru a alimenta unitatea.
- Nu folosiți aceeași priză electrică pentru alte aparate. O sursă de alimentare necorespunzătoare poate duce la incendiu sau electrocutare.
- Aparatul trebuie legat corespunzător la pământ în momentul instalării; în caz contrar, poate apărea riscul de electrocutare.
- Pentru toate lucrările electrice, respectați standardele și reglementările locale și naționale privind instalațiile electrice, precum și instrucțiunile din manual. Conectați cablurile corespunzător și prindeți-le cu cleme, pentru a vă asigura că nicio forță externă nu acționează asupra bornelor. Conexiunile electrice necorespunzătoare se pot supraîncălzi și pot cauza incendiu sau electrocutare. Toate conexiunile electrice trebuie realizate conform indicațiilor schemelor de conexiuni electrice situate pe panoul unității exterioare și pe cel al unității interioare.
- Traseele cablurilor trebuie configurate corect, astfel încât panoul de comandă să poată fi închis corespunzător. În cazul în care capacul panoului de comandă nu se închide corect, există riscul de încălzire la punctele de conectare a bornelor, incendiu sau electrocutare.
- În cazul conectării la o instalație electrică fixă, un dispozitiv de deconectare omnipolar cu o distanță de separare de cel puțin 3 mm între contacte trebuie instalat în circuitul de alimentare. Acesta trebuie să aibă un curent de scurgere care poate depăși 10 mA, fiind recomandată instalarea unui dispozitiv de protecție la curentul diferențial rezidual (DDR) care să aibă un curent funcțional rezidual de maximum 30 mA. Acest sistem trebuie încorporat în instalația fixă în conformitate cu reglementările în vigoare.

Specificațiile siguranței

- Placa de circuite integrate a aparatului de aer condiționat este prevăzută cu o siguranță pentru protecție la supracurent. Specificațiile siguranței sunt imprimate pe placa de circuite: T3,15AL/250VAC, T5AL/250VAC, T3.15A/250VAC, T5A/250VAC, T20A/250VAC, T30A/250VAC etc.
- NOTĂ: Pentru aparatele care utilizează agent frigorific R32 sau R290, poate fi utilizată numai siguranța ceramică rezistentă la explozii.

Avertismente privind instalarea produsului

1. Instalarea trebuie efectuată de către un distribuitor sau specialist autorizat. O instalare defectuoasă poate cauza scurgeri de apă, electrocutare sau incendiu.
2. Instalarea trebuie efectuată în conformitate cu instrucțiunile de instalare. O instalare necorespunzătoare poate cauza scurgeri de apă, electrocutare sau incendiu (în America de Nord, instalarea trebuie efectuată în conformitate cu cerințele NEC și CEC, numai de către personal autorizat).
3. Pentru repararea sau întreținerea acestui aparat, contactați un tehnician de service autorizat. Aparatul trebuie instalat în conformitate cu reglementările aplicabile privind instalațiile electrice.

4. Utilizați numai accesoriile furnizate și piesele specificate în vederea instalării. În caz contrar, există riscul de scurgere a apei, de electrocutare, incendiu sau funcționare necorespunzătoare a aparatului.

5. Instalați aparatul într-un loc rezistent și stabil, care să poată susține greutatea aparatului. Dacă locul ales pentru instalare nu poate susține greutatea aparatului sau în cazul în care instalarea nu este efectuată corespunzător, aparatul poate cădea și poate cauza vătămări grave și daune.

6. Montați tubulatura pentru evacuarea apei în conformitate cu instrucțiunile din prezentul manual. Evacuarea necorespunzătoare a apei poate duce la daune cauzate de apă.

7. În cazul aparatelor care sunt prevăzute cu un încălzitor electric auxiliar, nu instalați aparatul la o distanță mai mică de 1 metru de orice materiale combustibile.

8. Nu instalați aparatul într-un spațiu care poate fi expus la scurgeri de gaze inflamabile. Dacă se acumulează gaze inflamabile în apropierea aparatului, acestea pot cauza incendiu.

9. Nu porniți alimentarea cu energie electrică înainte de finalizarea tuturor lucrărilor.

10. Când deplasați sau mutați aparatul de aer condiționat, consultați tehnicienii de service cu experiență în vederea deconectării și reinstalării aparatului.

11. Pentru informații cu privire la montarea aparatului pe suportul acestuia, vă rugăm să citiți secțiunile „Instalarea unității interioare” și „Instalarea unității exterioare”.

Informații privind gazele fluorurate (nu se aplică în cazul aparatului unității care funcționează cu agent frigorific R290)

1. Acest aparat de aer condiționat conține gaze fluorurate cu efect de seră. Pentru informații cu privire la tipul gazului și la cantitatea acestuia, vă rugăm să consultați eticheta de pe aparat sau „Manualul de utilizare - Fișa tehnică a produsului” din ambalajul unității exterioare (numai pentru produse din Uniunea Europeană).

2. Instalarea, depanarea, întreținerea și repararea acestui aparat trebuie să fie efectuate de către un tehnician calificat.

3. Demontarea și reciclarea produsului trebuie să fie efectuate de către un tehnician calificat.

4. Pentru echipamentele care conțin gaze fluorurate cu efect de seră în cantități de 5 tone de echivalent CO₂ sau mai mult, dar mai puțin de 50 de tone de echivalent CO₂, dacă a fost instalat un sistem de detectare a scurgerilor, detectarea scurgerilor se efectuează cel puțin o dată la 24 de luni.

5. Atunci când se verifică dacă aparatul prezintă scurgeri, se recomandă ținerea unei evidențe cu privire la toate verificările.

Avertismente privind utilizarea agentului frigorific R32/R290

- În cazul utilizării unui agent frigorific inflamabil, aparatul trebuie să fie depozitat într-o zonă bine ventilată, unde dimensiunea încăperii să corespundă suprafeței prevăzute pentru funcționare.

Pentru modelele cu agent frigorific R32:

Aparatul trebuie instalat, utilizat și depozitat într-o încăpăre cu o suprafață utilă mai mare de 4 m². Aparatul nu trebuie instalat într-un spațiu neventilat, dacă acest spațiu este mai mic de 4 m².

Pentru modelele cu agent frigorific R290, dimensiunea minimă necesară a încăperii:

Aparatele cu ≤9000Btu/h: 13m²

Aparatele cu >9000Btu/h și ≤12000Btu/h: 17m²

Aparatele cu >12000Btu/h și ≤18000Btu/h: 26m²

Aparatele cu >18000Btu/h și ≤24000Btu/h: 35m²

- Conectorii mecanici reutilizabili și îmbinările evazate reutilizabile nu sunt permise în interior (cerințe ale Standardului EN).
Conectorii mecanici utilizați în interior trebuie să aibă o rată de scurgere de cel mult 3g/an la 25% din presiunea maximă admisibilă. Atunci când conectorii mecanici sunt reutilizați în interior, componentele de etanșare trebuie reînnoite. Atunci când îmbinările evazate sunt refolosite în interior, partea evazată trebuie să fie refabricată (cerințe ale Standardului UL).
Atunci când conectorii mecanici sunt reutilizați în interior, componentele de etanșare trebuie reînnoite. Atunci când îmbinările evazate sunt refolosite în interior, partea evazată trebuie să fie refabricată (cerințe ale Standardului IEC).
- Conectorii mecanici utilizați în interior trebuie să respecte standardul ISO 14903.

Orientări privind eliminarea

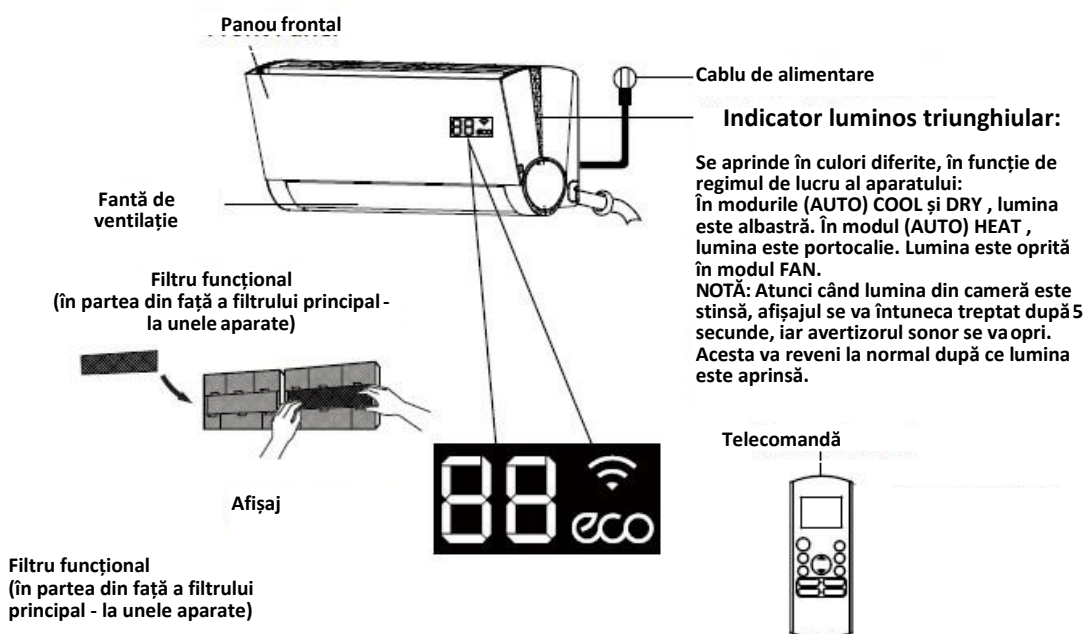
Acest aparat conține agent frigorific și alte materiale potențial periculoase. Pentru eliminarea acestui aparat, legislația aplicabilă prevede o colectare și un tratament speciale. Nu eliminați acest produs ca deșeur menajere sau ca deșeur municipale nesortate.

Atunci când eliminați acest aparat, aveți la dispoziție următoarele opțiuni:

- Eliminați aparatul la un centru de colectare a deșeurilor de echipamente electronice.
- Atunci când cumpărați un aparat nou, vânzătorul va prelua gratuit vechiul aparat.
- Producătorul va prelua gratuit vechiul aparat.
- Vindeți aparatul firmelor autorizate care se ocupă deșeur de metale.

Eliminarea acestui aparat în pădure sau în alte medii naturale vă pune în pericol sănătatea și are un efect nociv pentru mediul înconjurător. Substanțele periculoase se pot scurge în apele subterane și pot pătrunde în lanțul alimentară.

IV. DESCRIERE



SEMNIFICAȚIILE CODURILOR AFIȘATE

ON – timp de 3 secunde atunci când:

- TEMPORIZATORUL este activat (dacă aparatul este oprit, simbolul „On” rămâne afișat atunci când TEMPORIZATORUL este activat)
- sunt activate funcțiile FRESH, SWING, TURBO sau SILENCE

OF – timp de 3 secunde atunci când:

- este activată funcția TIMER OFF
- sunt dezactivate funcțiile SWING, TURBO sau SILENCE

cF - atunci când este activată funcția anti-răcire

dF – în timpul operației de auto-dezghetare.

SC – în timpul operației de auto-curățare

FP – atunci când funcția de încălzire la 8°C este activată (în cazul anumitor modele)

SC – în timpul operației de auto-curățare (în cazul anumitor modele)



- atunci este activată funcția de control prin WIFI



- atunci este activată funcția ECO



Afișează temperatura, modul de funcționare și codurile de eroare.

În modul FAN , unitatea va afișa temperatura camerei.

Atunci când lumina din cameră este stinsă, afișajul se va întuneca treptat, iar avertizarea sonora va porni. Acesta va reveni la normal după ce lumina este aprinsă.

În alte moduri de funcționare, unitatea va afișa temperatura setată.

NOTĂ: Panoul frontal și afișajul diferă în funcție de model. Există posibilitatea ca aparatul pe care l-ați achiziționat să nu dispună de toate indicatoarele prezentate. Vă rugăm să verificați afișajul unității interioare a aparatului pe care l-ați achiziționat.

Ilustrațiile din prezentul manual au un rol explicativ. Forma reală a unității interioare poate fi ușor diferită. Forma reală este de referință.

OBȚINEREA UNOR PERFORMANȚE OPTIME

Performanțele optime pentru modurile COOL, HEAT și DRY pot fi obținute în cadrul următoarelor intervale de temperatură. Atunci când instalația de aer condiționat este utilizată în afara acestor intervale, vor fi activate anumite funcții de protecție care vor face ca unitatea să funcționeze mai puțin optim.

	Modul COOL (RĂCIRE)	Modul HEAT (ÎNCĂLZIRE)	Modul DRY (DEZUMIDIFICARE)
Temperatura camerei	17°C - 32°C (62°F - 90°F)	0°C - 30°C (32°F - 86°F)	10°C - 32°C (50°F - 90°F)
Temperatura exterioară	0°C - 50°C (32°F - 122°F)	-15°C - 30°C (5°F - 86°F)	0°C - 50°C (32°F - 122°F)
	-15°C - 50°C (5°F - 122°F) (Pentru modelele cu sisteme de răcire la temperaturi scăzute.)		
	0°C - 52°C (32°F - 126°F) (Pentru modele speciale, echipate pentru climat tropical.)		0°C - 52°C (32°F - 126°F) (Pentru modele speciale, echipate pentru climat tropical.)

PENTRU UNITĂȚI EXTERIOARE CU ÎNCĂLZITOR ELECTRIC AUXILIAR

Atunci când temperatura exterioară are valori sub 0 ° C (32 ° F), vă recomandăm menținerea permanentă a conectării aparatului la sursa de alimentare, pentru a asigura o performanță optimă a funcționării.

În cazul modelelor cu viteză fixă

	Modul COOL (RĂCIRE)	Modul HEAT (ÎNCĂLZIRE)	Modul DRY (DEZUMIDIFICARE)
Temperatura camerei	17°C-32°C (62°F-90°F)	0°C-30°C (32°F-86°F)	10°C-32°C (50°F-90°F)
Temperatura exterioară	18°C-43°C (64°F-109°F)	-7°C-24°C (19°F-75°F)	11°C-43°C (52°F-109°F)
	-7°C-43°C (19°F-109°F) (Pentru modelele cu sisteme de răcire la temperaturi scăzute.)		18°C-43°C (64°F-109°F)
	18°C-52°C (64°F-126°F) (Pentru modele speciale, echipate pentru climat tropical.)		18°C-52°C (64°F-126°F) (Pentru modele speciale, echipate pentru climat tropical.)

NOTĂ: Umiditatea relativă din încăperea trebuie să fie sub 80%. Dacă aparatul de aer condiționat funcționează într-o încăperea în care umiditatea relativă depășește acest nivel, acesta poate favoriza apariția condensului. Recomandăm reglarea lamei fantei de ventilație pe verticală la unghi maxim (vertical pe podea) și reglarea ventilatorului la treapta pentru viteza cea mai ridicată (HIGH).

Pentru optimizarea suplimentară a performanțelor aparatului dumneavoastră, urmați sfaturile de mai jos:

- Țineți ușile și ferestrele închise.
- Diminuați consumul de energie prin utilizarea funcțiilor TIMER ON și TIMER OFF.
- Nu blocați orificiile de admisie sau evacuare.
- Verificați și curățați periodic filtrele.

ILUSTRAȚIILE DIN PREZENTUL MANUAL AU UN ROL EXPLICATIV. FORMA REALĂ A UNITĂȚII INTERIOARE POATE FI UȘOR DIFERITĂ. FORMA REALĂ ESTE DE REFERINȚĂ.

• **Repornire automată**

În cazul în care alimentarea cu energie electrică este întreruptă, acesta va reporni automat, păstrând setările, odată cu restabilirea alimentării cu energie electrică.

• **Detectare inteligentă a luminii**

Atunci când lumina din cameră este stinsă, afișajul și indicatorul luminos triunghiular se întunecă treptat după 5 secunde, iar avertizorul sonor se oprește. Acesta va reveni la normal după ce lumina este aprinsă.

NOTĂ: Atunci când lumina din cameră este puternică, afișajul și indicatorul luminos triunghiular rămân aprinse. Atunci când lumina din cameră este slabă, puteți apăsa butonul LED de pe telecomandă pentru a aprinde/stinge afișajul.

• **Control prin Wi-Fi**

Funcția de control prin Wi-Fi vă permite să controlați aparatul de aer condiționat cu ajutorul unui telefon mobil și al unei conexiuni Wi-Fi.

Pentru dispozitivul USB, înlocuirea componentelor acestuia și operațiile de întreținere trebuie efectuate de către personal calificat.

• **Memorarea unghiului fantei de ventilare**

La pornirea aparatului, fanta de ventilație va reveni automat la unghiul setat anterior.

• **Detectarea scăpării agentului frigorific**

Unitatea interioară va afișa în mod automat "EC" sau "ELOC", atunci când detectează scăpări de agent de răcire.

• **Sistem inteligent de reglare a curentului de aer (Forest wind)**

Atunci când aparatul este în modul COOL sau AUTO, apăsați butonul SWING de pe telecomandă; astfel, unitatea va furniza un curent de aer confortabil și silențios, care vă va oferi o senzație plăcută.

Pentru explicații detaliate cu privire la funcțiile avansate ale aparatului dumneavoastră (cum ar fi modul TURBO, "Follow me", SILENT, Menținere temperatura la 8°C sau funcția de curățare automată), consultați manualul de instrucțiuni al telecomenzii.

• **Controlul direcției fluxului de aer** Reglarea fluxului de aer pe verticală

În timp ce aparatul este în funcțiune, utilizați butonul SWING /DIRECT pentru a regla direcția (unghiul vertical) a fluxului de aer.

1. Apăsați butonul SWING /DIRECT o dată pentru activarea fantei de ventilație. La fiecare apăsare a butonului, fanta de ventilație se va deplasa cu un unghi de 6°. Apăsați butonul până când direcția dorită este setată.

2. Pentru ca lamela fantei de ventilație să oscileze continuu pe verticală, apăsați și mențineți apăsat butonul SWING/DIRECT timp de 3 secunde. Apăsați butonul din nou pentru a dezactiva această funcție.

Reglarea fluxului de aer pe orizontală

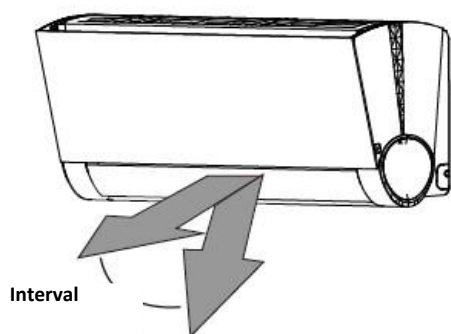
Reglarea pe orizontală a fluxului de aer trebuie efectuată manual. Acționați manual tija deflectorului și reglați-o în direcția dorită.

În cazul anumitor aparate, unghiul orizontal al fluxului de aer poate fi reglat cu ajutorul telecomenzii. Vă rugăm să consultați manualul telecomenzii.

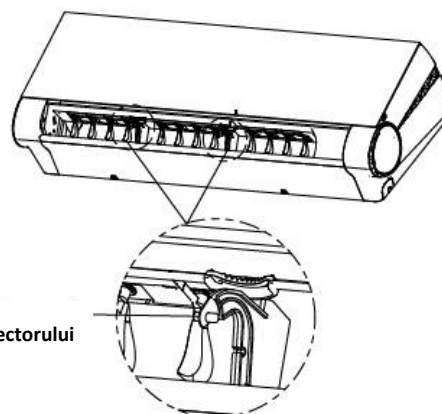
• Notă cu privire la unghiurile fantei de ventilație

Nu folosiți aparatul de aer condiționat mult timp cu fluxul de aer orientat înspre jos în modurile COOL sau DRY. În caz contrar, poate apărea condens pe lamela fantei de ventilație, iar umezeala poate să cadă pe podea sau mobilier.

Atunci când aparatul funcționează în modurile COOL sau DRY, orientarea înspre jos a fluxului de aer poate reduce performanțele aparatului din cauza unui flux de aer redus. Nu deplasați cu mâna lamelele fantei de ventilație. Aceasta va duce la desincronizarea fantei de ventilație. În acest caz, opriți aparatul și deconectați-l de la sursa de alimentare timp de câteva secunde, apoi reporniți-l. Această operație va reseta fanta de ventilație.



Atenție: Nu folosiți aparatul de aer condiționat mult timp cu fluxul de aer orientat înspre jos. Aceasta poate duce la scurgerea apei de condensare pe articolele de mobilier.



ATENȚIE

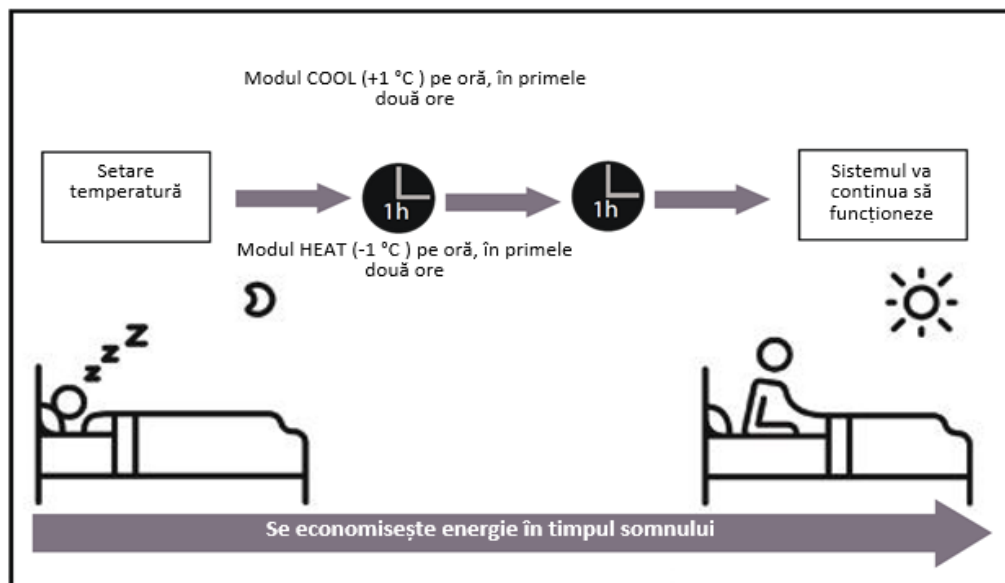
Nu introduceți degetele sau obiecte în orificiile de admisie și evacuare. Ventilatorul din interior vă poate răni.

• **Funcționarea în modul SLEEP (standby)**

Funcția SLEEP este utilizată pentru reducerea consumului de energie în timp ce dumneavoastră dormiți (și nu aveți nevoie de aceleași setări de temperatură pentru a vă simți confortabil). Această funcție poate fi activată numai cu ajutorul telecomenzii. Apăsăți butonul SLEEP atunci când sunteți gata să mergeți la culcare. În modul COOL , unitatea va crește temperatura cu 1°C (2°F) (după 1 oră) și cu încă 1°C (2°F) după încă 1 oră. În modul HEAT, unitatea va scădea temperatura cu 1°C (2°F) (după 1 oră) și cu încă 1°C (2°F) după încă 1 oră.

Funcția SLEEP se va dezactiva după 8 ore, iar sistemul va continua să funcționeze cu setările precedente.

Notă: Funcția SLEEP nu este disponibilă în modul FAN sau DRY.



VI. INSTRUCȚIUNI DE UTILIZARE (FĂRĂ TELECOMANDĂ)

Utilizarea aparatului fără telecomandă

În cazul în care telecomanda nu funcționează, aparatul poate fi acționat manual cu ajutorul butonului pentru COMANDĂ MANUALĂ situat în unitatea interioară. Vă rugăm să rețineți că acționarea manuală nu reprezintă o soluție pe termen lung și că utilizarea telecomenzii este soluția cea mai recomandată.

ÎNAINTE DE ACȚIONAREA MANUALĂ

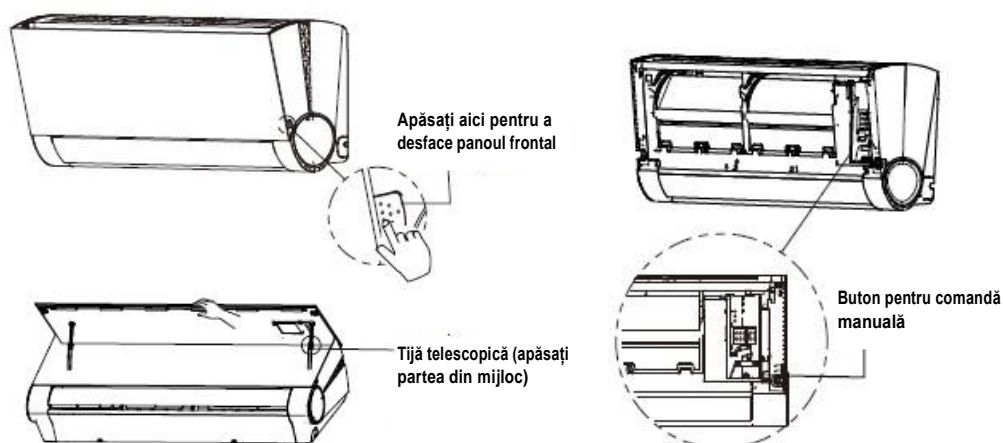
Înainte de acționarea manuală, aparatul trebuie OPRIT.

Pentru acționarea manuală a aparatului:

1. Apăsați butoanele de pe lateralele unității interioare, apoi ridicați panoul frontal și fixați-l cu ajutorul tijei telescopice.
2. Localizați butonul pentru COMANDĂ MANUALĂ de pe partea dreaptă a unității. Apăsați butonul încastrat cu degetul sau cu vârful unui pix.
3. Pentru activarea funcționării forțate în modul AUTO, apăsați o dată butonul pentru COMANDĂ MANUALĂ.
4. Pentru activarea funcționării forțate în modul COOLING (răcire), apăsați din nou butonul pentru COMANDĂ MANUALĂ.
5. Pentru oprirea unității, apăsați a treia oară butonul pentru COMANDĂ MANUALĂ.
6. Pentru închiderea panoului frontal, țineți panoul cu mâna și apăsați partea din mijloc a tijei telescopice.

ATENȚIE

Butonul pentru comandă manuală este folosit numai în scopuri de testare și în caz de nefuncționare a telecomenzii. Vă rugăm să nu folosiți această funcție decât în cazul în care ați pierdut telecomanda sau în cazul în care este absolut necesar. Pentru a reveni la funcționarea normală, utilizați telecomanda pentru a porni aparatul.



VII. CURĂȚARE ȘI ÎNTREȚINERE



ÎNAINTE DE CURĂȚARE

OPRIȚI ÎNTOTDEAUNA APARATUL DE AER CONDIȚIONAT ȘI DECONECTAȚI-L DE LA SURSA DE ALIMENTARE ÎNAINTE DE CURĂȚARE SAU ÎNTREȚINERE.

NOTĂ: Alimentarea cu energie trebuie întreruptă înainte de a curăța unitatea interioară.



ATENȚIE!

Ștergeți aparatul numai cu o lavetă moale și uscată. Dacă aparatul este foarte murdar, ștergeți-l cu o lavetă înmuiată în apă caldă.

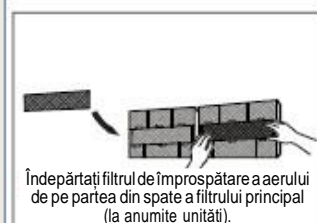
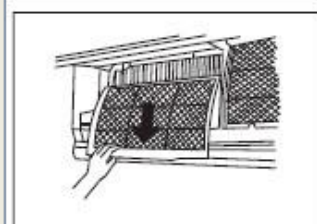
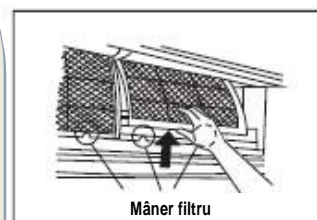
- Nu folosiți pentru curățarea unității substanțe chimice sau lavete tratate cu substanțe chimice.
- Nu folosiți benzină, diluant, pudră de lustruit sau alți solvenți similari pentru curățare. Aceste substanțe pot cauza crăparea sau deformarea suprafeței din plastic.
- Nu folosiți apă cu o temperatură mai mare de 40°C/104°F pentru a curăța panoul frontal. Aceasta poate cauza deformarea sau decolorarea panoului.

Curățarea filtrului de aer

Un filtru de aer înfundat reduce eficiența de răcire a acestui aparat, putând dăuna și sănătății dumneavoastră. Curățați filtrul o dată la două săptămâni.

1. Apăsăți butoanele de pe lateralele unității interioare, apoi ridicați panoul frontal și fixați-l cu ajutorul tijei susținere.
2. Prindeți mânerul filtrului de aer și ridicați-l ușor pentru a-l scoate de pe suportul său, apoi trageți-l ușor către dumneavoastră.
3. Trageți în jos pentru a scoate filtrul.
4. Dacă filtrul principal este prevăzut cu un filtru de îmborsărire a aerului, scoateți-l din filtrul principal. Curățați filtrul de îmborsărire a aerului cu un aspirator portabil.
5. Curățați filtrul principal cu apă și săpun. Asigurați-vă că utilizați un detergent delicat.
6. Clătiți filtrul cu apă curată, apoi eliminați apa în exces.
7. Lăsați-l să se usuce într-un loc răcoros și uscat; nu expuneți filtrul la lumina directă a soarelui.
8. După uscarea filtrului, prindeți filtrul de îmborsărire a aerului pe filtrul principal, apoi introduceți filtrul principal în unitatea interioară.
9. Închideți panoul frontal al unității principale.

NOTĂ: După curățare, reconectați aparatul la sursa de alimentare.





ATENȚIE!

- Nu atingeți filtrul (cu plasmă) de împrospătare a aerului timp de cel puțin 10 minute de la oprirea unității.
- Înainte de schimbarea filtrului sau de efectuarea operațiilor de curățare, opriți unitatea și deconectați-o de la sursa de alimentare.
- Atunci când înlăturați filtrul, nu atingeți piesele metalice din interiorul unității. Muchiile metalice ascuțite vă pot răni.
- Nu folosiți apă la curățarea părții interioare a aparatului de aer condiționat. Expunerea la apă poate distruge izolația și poate provoca electrocutarea.
- Nu expuneți filtrul la lumina directă a soarelui. Aceasta poate duce la contractarea filtrului.

Funcțiile memento pentru filtrul de aer

Funcția memento pentru curățarea filtrului de aer

După 240 de ore de funcționare, ecranul unității interioare va afișa intermitent „CL”. Această funcție reprezintă un memento referitor la curățarea filtrului. După 15 secunde, unitatea va reveni la afișajul anterior.

Pentru resetarea funcției, apăsați de 4 ori butonul LED de pe telecomandă sau apăsați butonul pentru COMANDĂ MANUALĂ de 3 ori. În cazul în care nu resetați funcția, indicatorul „CL” va fi afișat din nou intermitent atunci când reporniți aparatul.

Funcția memento pentru înlocuirea filtrului de aer

După 2880 de ore de funcționare, ecranul unității interioare va afișa intermitent „nF”. Această funcție reprezintă un memento referitor la înlocuirea filtrului. După 15 secunde, unitatea va reveni la afișajul anterior.

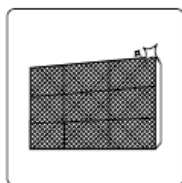


ATENȚIE!

- Toate operațiile care implică întreținerea și curățarea unității exterioare trebuie realizate de către un distribuitor sau agent de service autorizat.
- Toate operațiile care implică repararea unității trebuie realizate de către un distribuitor sau agent de service autorizat.

Întreținere – Perioade lungi de neutilizare

Dacă intenționați să nu utilizați aparatul pentru o perioadă îndelungată, efectuați următoarele operații:



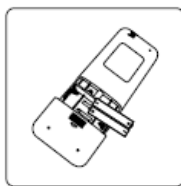
Curățați toate filtrele



Lăsați activată funcția FAN până când unitatea este complet uscată



Opriți unitatea și
deconectăți-o de la sursa de
alimentare



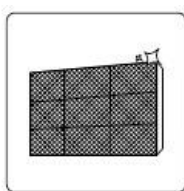
Scoateți bateriile din
telecomandă

Întreținere – Verificări înainte de utilizare

După perioade lungi de neutilizare sau înainte de perioade de utilizare frecventă,
efecuați următoarele operații:



Verificați dacă există fire.



Curățați toate filtrele



Verificați dacă există scăpări



Înlocuiți bateriile



Asigurați-vă că orificiile de admisie și evacuare nu sunt blocate

VIII. DEPANARE

MĂSURI DE SIGURANȚĂ

În cazul ORICĂREIA dintre următoarele situații, opriți imediat aparatul!

- Cablul de alimentare este deteriorat sau anormal de fierbinte.
- Simțiți miros de ars
- Unitatea emite zgomote puternice sau anormale
- Se arde o siguranță sau se declanșează un disjunctiv în mod frecvent.
- Apă sau alte obiecte cad în sau din unitate.

NU ÎNCERCAȚI SĂ REMEDIAȚI ACESTE DEFECȚIUNI PE CONT PROPRIU! CONTACTAȚI IMEDIAT UN CENTRU DE SERVICE AUTORIZAT!

Problemă	Cauză
Unitatea nu pornește la apăsarea butonului de PORNIRE / OPRIRE	Pentru protejarea împotriva supraîncărcării, unitatea este prevăzută cu o protecție care împiedică pornirea timp de 3 minute. Unitatea nu poate fi repornită într-un interval de 3 minute după oprire.
Unitatea comută din modul COOL/HEAT în modul FAN mode	Aparatul poate modifica setarea pentru a preveni formarea gheții pe unitate. Odată ce temperatura crește, unitatea va reîncepe să funcționeze în modul selectat anterior.
	Temperatura setată a fost atinsă, moment în care aparatul oprește compresorul. Unitatea va continua să funcționeze atunci când temperatura va fluctua din nou.
Ies aburi albi din unitatea interioară	În zonele umede, o diferență mare de temperatură între aerul din cameră și aerul condiționat poate provoca emiterea unor aburi de culoare albă.
Ies aburi albi din unitatea interioară și din cea exterioară	Atunci când unitatea repornește în modul HEAT după operația de auto dezghețare, aburul alb poate fi emis ca urmare a umezelii generate de procesul de dezghețare.
Unitatea interioară produce zgomote	Atunci când lamela fantei de ventilație revine în poziția inițială, este posibil să fie produs un șuierat.
	După funcționarea unității în modul HEAT, poate fi produs un scârțâit cauzat de dilatarea și contractia pieselor din plastic ale unității.
Unitatea interioară și cea exterioară produc zgomote	Șuierat cu intensitate redusă în timpul funcționării: Acest lucru este normal și este cauzat de curgerea agentului de răcire prin unitatea interioară și exterioară.
	Șuierat cu intensitate redusă atunci când sistemul pornește, imediat după oprire sau în timpul dejivrării: Acest zgomot este normal și este cauzat de oprirea agentului de răcire sau schimbarea direcției acestuia.
	Scârțâit: Dilatarea și contractia normală a pieselor din plastic și metal, provocate de schimbările de temperatură în timpul funcționării, pot provoca zgomote.
Unitatea exterioară produce zgomote	Unitatea produce sunete diferite în funcție de regimul curent de funcționare.
Iese praf din unitatea interioară sau din cea exterioară	Unitatea poate acumula praf în timpul perioadelor lungi de neutilizare, praf care iese odată cu pornirea aparatului. Acest lucru poate fi atenuat prin acoperirea unității în timpul perioadelor lungi de neutilizare.
Unitatea emite un miros neplăcut	Unitatea poate absorbi mirosurile din mediul înconjurător (cum ar fi mirosul mobilierului, de gătit, de țigări etc.), acestea fiind emise în timpul funcționării.
	Filtrele unității au mucegăit și necesită curățare.

Ventilatorul unității exterioare nu funcționează	În timpul funcționării, turația ventilatorului este controlată în vederea optimizării performanțelor aparatului.
Funcționarea este neregulată, necorespunzătoare sau aparatul nu răspunde la comenzi	Interferențe cauzate de amplificatoare și de turnurile operatorilor de telefonie mobilă pot cauza funcționarea necorespunzătoare a unității. În acest caz, efectuați următoarele operații: <ul style="list-style-type: none"> • Deconectați aparatul de la sursa de alimentare și reconectați-l. • Apăsăți butonul ON / OFF al telecomenzii pentru a reporni funcționarea.

PROBLEMĂ	CAUZE POSIBILE	SOLUȚIE
Răcire ineficientă	Temperatura setată poate fi mai ridicată decât temperatura ambiantă	Setați o temperatură mai scăzută
	Schimbătorul de căldură al unității interioare sau exterioare este murdar	Curățați schimbătorul de căldură
	Filtrul de aer este murdar	Scoateți filtrul și curățați-l în conformitate cu instrucțiunile
	Orificiile de admisie sau evacuare ale oricăreia dintre unități sunt blocate	Opriti aparatul, înlăturați cauza blocajului și porniți-l din nou
	Ușile și ferestrele sunt deschise	Asigurați-vă că toate ușile și ferestrele sunt închise în timpul funcționării aparatului
	Lumina solară produce căldură excesivă	Închideți ușile și ferestrele în perioadele călduroase sau în caz de soare puternic
	Există prea multe surse de căldură în cameră (persoane, computere, aparatură electronică etc.)	Reduceți numărul surselor de căldură
	Cantitate scăzută de agent de răcire din cauza scăpărilor sau utilizării prelungite	Verificați dacă există scăpări, refaceți etanșarea (dacă este necesar) și completați cu agent de răcire
	Este activată funcția SILENCE	Funcția SILENCE poate reduce performanța produsului prin reducerea frecvenței de funcționare. Dezactivați funcția SILENCE.
Unitatea nu funcționează	Întrerupere a alimentării cu energie	Așteptați restabilirea alimentării cu energie
	Aparatul este oprit	Porniți aparatul
	Siguranța este arsă	Înlocuiți siguranța
	Bateriile telecomenzii sunt consumate	Înlocuiți bateriile
	Protecția de 3 minute a unității s-a activat	Așteptați timp de trei minute după repornirea unității
	Temporizatorul este activat	Opriti temporizatorul
Unitatea pornește și se oprește frecvent	Cantitatea de agent de răcire din sistem este prea mare sau prea mică	Verificați dacă există scăpări și reîncărcați sistemul cu agent de răcire.
	În sistem a pătruns gaz incompresibil sau umezeală	Goliți sistemul și reîncărcați-l cu agent de răcire.
	Compresorul este defect	Înlocuiți compresorul

	Tensiunea este prea mare sau prea mică	Instalați un presostat pentru reglarea tensiunii
Încălzire ineficientă	Temperatura exterioară este sub 7°C (44,5°F)	Utilizați dispozitivul de încălzire auxiliar
	Aerul pătrunde prin uși și ferestre	Asigurați-vă că toate ușile și ferestrele sunt închise în timpul funcționării aparatului
	Cantitate scăzută de agent de răcire din cauza scăpărilor sau utilizării prelungite	Verificați dacă există scăpări, refaceți etanșarea (dacă este necesar) și completați cu agent de răcire
Indicatoarele luminoase continuă să clipească	Unitatea poate opri funcționarea sau poate continua să funcționeze în condiții de siguranță. Dacă indicatoarele luminoase continuă să clipească sau apar coduri de eroare, așteptați aproximativ 10 minute. Problema se poate rezolva de la sine. În caz contrar, deconectați unitatea de la sursa de alimentare, apoi conectați-o din nou. Porniți unitatea. Dacă problema persistă, deconectați aparatul de la sursa de alimentare cu energie și contactați cel mai apropiat centru de service.	
Ecranul unității interioare afișează coduri de eroare: • E0, E1, E2... • P1, P2, P3... • F1, F2, F3...		

NOTĂ: Dacă problema persistă după efectuarea verificărilor de mai sus, opriți imediat aparatul și contactați un centru de service autorizat.

ATENȚIE

În cazul ORICĂREIA dintre următoarele situații, opriți imediat aparatul!

- Cablul de alimentare este deteriorat sau anormal de fierbinte.
- Se simte miros de ars.
- Aparatul emite zgomote puternice sau anormale.
- Se arde o siguranță sau se declanșează un disjunctoare în mod frecvent.
- Apă sau alte obiecte cad în sau din unitate.

 **NU ÎNCERCAȚI SĂ REMEDIAȚI ACESTE DEFECȚIUNI!
CONTACTAȚI O UNITATE DE SERVICE AUTORIZATĂ!**

IX. DATE TEHNICE

Model	HAC-12OWF-BK	HAC-12OWF-GD	HAC-09OWF-BK
Alimentare	1208-1340 W	1208-1340 W	712-771 W
Tensiune	220-240V, 50Hz	220-240V, 50Hz	220-240V, 50Hz
Capacitate de răcire	12000 BTU	12000 BTU	9000BTU
Nivel de zgomot	50/63 dB	50/63 dB	50/63 dB
Culoare	negru	auriu	negru



MASURI PENTRU PROTECTIA MEDIULUI

Va informam ca persoanele fizice au urmatoarele obligatii prin legislatia specifica privind protectia mediului si regimul deseurilor:

- Deseurile de echipamente electrice si electronice (DEEE), pot contine substante periculoase pentru mediu si sanatatea umana. Conform OUG 5/2015, exista obligativitatea predarii acestora, pentru tratarea corespunzatoare si valorificarea componentelor reciclabile. Societatea Network One Distribution S.R.L. este platitoare de taxa de "timbru verde" pentru fiecare Echipament Electric si Electronic (EEE) pe care il pune pe piata. Acest cost asigura tratarea ulterioara a echipamentelor uzate colectate. Din acest motiv, odata ce devine deseu, produsul EEE poate fi predat gratuit operatorului Dvs. de salubritate, la magazine atunci cand achizitionati alt echipament similar, sistemul "unul la unu" sau la punctul de colectare organizat de Primaria Sectorului / localitatii Dvs.

- Simbolul (marcajul) aplicat produselor, care indica faptul ca deseurile DEEE, bateriile si acumulatorii - fac obiectul unei colectari separate, il reprezinta o pubea barata cu o cruce.



Aceste masuri vor ajuta la protejarea mediului

Societatea Network One Distribution S.R.L. este inregistrata in Registrul de punere pe piata a echipamentelor electrice si electronice, avand numarul de inregistrare: RO-2016-03-EEE-0201-IV. De asemenea, au fost intocmite si sunt gestionate: Registrul de Retragere EEE si Registrul de Rechemare EEE, in conformitate cu HG 322/2013. Totodata societatea este inregistrata in Registrul de punere pe piata a bateriilor, avand numarul de inregistrare: RO-2011-03-B&A-0283.

Conformitatea cu directiva RoHS: Produsul pe care l-ati cumparat este conform cu Directiva RoHS UE (2011/65/UE). Nu contine materialele daunatoare si interzise specificate in Directiva.

Va multumim ca participati alaturi de noi la protejarea mediului si a sanatatii umane!



HEINNER este marcă înregistrată a companiei **Network One Distribution SRL**. Celelalte branduri și denumirile produselor sunt mărci de comerț sau mărci de comerț înregistrate ale respectivilor deținători.

Nicio parte a specificațiilor nu poate fi reprodusă, sub nicio formă și prin niciun mijloc, nici utilizată pentru obținerea unor derivate precum traduceri, transformări sau adaptări, fără consimțământul prealabil al companiei NETWORK ONE DISTRIBUTION.

Copyright © 2013 Network One Distribution. Toate drepturile rezervate.

www.heinner.com, <http://www.nod.ro>



Acest produs este proiectat și realizat în conformitate cu standardele și normele Comunității Europene.

Importator: **Network One Distribution**

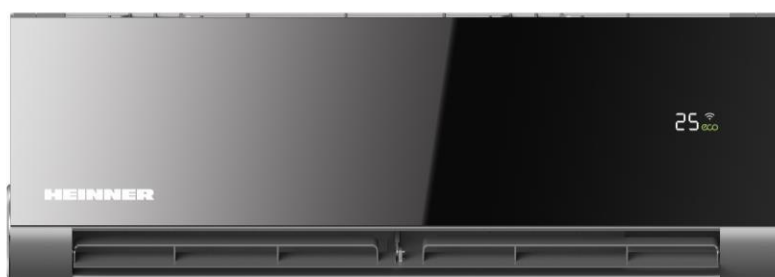
Str. Marcel Iancu, nr. 3-5, București, România

Tel: +40 21 211 18 56, www.heinner.com, www.nod.ro

HEINNER

КЛИМАТИК OBSIDIAN WIFI

Модел: HAC-12OWF-BK / HAC-12OWF-GD /
HAC-09OWF-BK



- Климатик
- Капацитет: 9000 BTU / 12000BTU
- Цвят: черно / aranyárga

www.heinner.ro

Благодарим ви, че избрахте този продукт!

I. ВЪВЕДЕНИЕ

Моля, внимателно прочетете инструкциите и запазете наръчника за бъдещи справки.

Този наръчник е предназначен да ви предоставя всички необходими инструкции, свързани с инсталирането, използването и поддръжката на уреда.

За да работите с устройството правилно и безопасно, моля, прочетете този наръчник с инструкции внимателно преди инсталиране и използване.

II. СЪДЪРЖАНИЕ НА ВАШИЯ ПАКЕТ

- Климатик
- Дистанционно устройство
- Наръчник за употреба
- Гаранционен сертификат





Внимание: Опасност от пожар / запалими материали

ПРЕДУПРЕЖДЕНИЕ: Работите по поддръжка ще се извършват само съгласно препоръките на производителя на оборудването. Поддръжката и ремонтите, изискващи съдействието на друг квалифициран персонал, се извършват само под наблюдение на лицето, което е компетентно за използването на запалими хладилни агенти. За повече подробности, консултирайте раздел Информация относно техническа помощ в РЪКОВОДСТВОТО ЗА ИНСТАЛАЦИЯ.

Обяснение на символите, показани на вътрешното тяло или на външното тяло:

	ПРЕДУПРЕЖДЕНИЕ	Този символ показва, че този уред е използвал запалим хладилен агент. Ако хладилния агент изтича и е изложен на външен източник на запалване, съществува опасност от пожар.
	ПРЕДПАЗЛИВОСТ	Този символ показва, че ръководството за експлоатация трябва да се прочете внимателно.
	ПРЕДПАЗЛИВОСТ	Този символ показва, че квалифицирания персонал трябва да борава с това оборудване по отношение на ръководството за инсталация.
	ПРЕДПАЗЛИВОСТ	
	ПРЕДПАЗЛИВОСТ	Този символ показва, че е налице информация, като ръководството за експлоатация или ръководството за инсталация.

Уредът може да се използва от деца на възраст най-малко 8 години и от лица с намалени физически, сетивни или умствени способности, или с липса на достатъчен опит и познания, само ако са под наблюдение или са получили указания във връзка с използването на уреда по безопасен начин и ако разбират опасностите, които могат да възникнат при използване на уреда. Децата нямат право да си играят с уреда. Децата нямат право да си играят с уреда. Почистването и поддръжката не трябва да се извършват от деца без надзор (държави от Европейския съюз).

Уредът не е предназначен за използване от лица (включително деца) с намалени физически, сетивни или умствени проблеми, или с липса на опит и познания, освен ако са под наблюдение или са получили указания по отношение на използването на уреда от лице, което е отговорно за тяхната безопасност. Децата трябва да бъдат под наблюдение, така че да не си играят с уреда.

При поява на ненормална ситуация (като миризма на изгоряло), изключете веднага уреда и извадете щепсела от контакта. Свържете се с дистрибутора за инструкции по отношение на предотвратяването на токови удари, пожари и злополуки.

- Не поставяйте пръстите си, лостове или други предмети в отворите за влизане или извеждане на въздуха. Това може да причини наранявания, защото вентилаторът може да се върти с висока скорост.
- Не използвайте в близост до тялото запалими спрейове, като например лак за коса, бои или лакове. Това може да причини пожар.
- Не използвайте климатика на места, където могат да се образуват запалими газове. Може да се образува акумулиране на тези газове около уреда и може да се предизвика експлозия.
- Не използвайте климатика в помещение с висока влажност като баня или сушилня. Прекомерното излагане във влажна среда може да предизвика късо съединение на компонентите.
- Не излагайте Вашето тяло на прекия студен въздушен поток за дълъг период от време.
- Не позволявайте на децата да си играят с климатика. Децата, които се намират в близост до уреда, трябва постоянно да бъдат под наблюдение.
- Ако климатикът се използва заедно с газови печки или други уреди за отопление, проветрявайте добре стаята, за да предотвратите недостига на кислород.
- В определени функционални среди като кухни, стаи за сървъри и др., се препоръчва използването климатици, които са специално проектирани.

Предупреждения относно почистването и поддръжката

- Преди почистване изключете уреда и извадете щепсела от контакта. В противен случай има риск от токов удар.
- Не използвайте големи количества вода за почистване на климатика.
- Не почиствайте климатика със запалими препарати за почистване. Запалимите препарати за почистване могат да предизвикат пожар или деформации.

Внимание!

- Изключвайте климатика и изваждайте щепсела от контакта, ако няма да използвате уреда за по-дълъг период от време.
- Изключвайте климатика и изваждайте щепсела от контакта по време на буря.
- Уверете се, че кондензираната вода може да се изтича безпрепятствено от уреда.
- Не натискайте бутоните на климатика с влажни ръце. Опасност от токов удар!
- Не използвайте уреда за цел, различна от тази, за която е проектиран.

- Не се качвайте върху външното тяло и не поставяйте предмети върху него.
- Ако вратите или прозорците са отворени или ако има висока влажност, не оставяйте климатика да функционира за дълъг период от време.

Предупреждения относно електрическите рискове

- Използвайте само препоръчания захранващ кабел. Ако захранващият кабел е повреден, той трябва да се подмени от производителя, сервизния персонал или от лица с подобна квалификация, за да се избегнат евентуални опасности.
- Пазете щепсела чист. Отстранявайте праха и/или мръсотията, които се натрупват върху или около щепсела. Замърсените щепсели могат да доведат до пожар или токов удар.
- Не дърпайте за захранващия кабел, за да го изваждате от контакта. Хванете добре за щепсела и дръпнете го от контакта. Ако дърпате направо за кабела, тогава може да се повреди и това може да доведе до предизвикване на пожар или токов удар.
- Не променяйте дължината на захранващия кабел и не използвайте удължителен кабел при захранването на уреда.
- Не използвайте същия електрически контакт за други уреди. Несъответстващ източник за захранване с електроенергия може да доведе до пожар или токов удар.
- Уредът трябва да се заземи по съответстващ начин в момента на инсталацията, като в противен случай може да се появи риск от токов удар.
- За всички електрически инсталации спазвайте местните и националните стандарти и разпоредби, както и инструкциите от наръчника. Свържете кабелите по съответстващ начин и хванете ги с клеми, за да се уверите, че никакви външни сили не могат да действат върху клемите. Несъответстващите електрически връзки могат да прегреят и да причинят пожар или токов удар. Всички електрически връзки трябва да се реализират съгласно указанията от схемите на електрическите връзки, намиращи се върху панела на външното тяло и този на вътрешното тяло.
- Трасетата на кабелите трябва да бъдат конфигурирани правилно, така че контролният панел да може да се затваря по съответстващ начин. Ако капакът на контролния панел не се затваря правилно, има риск от нагряване на точките за свързване на клемите, риск от пожар или токов удар.
- При свързване към фиксирана електрическа инсталация, в захранващата верига трябва да се инсталира омниполярно разединително устройство с разделително разстояние между контактите най-малко 3 мм. То трябва да има ток на утечка, който може да надвишава 10 mA, като се препоръчва инсталирането на устройство за защита от остатъчен диференциален ток (DDR), което има остатъчен работен ток от максимум 30 mA. Тази система трябва да се вгради във фиксираната инсталация в съответствие с действащите разпоредби.

Спецификации на предпазителя

Плочата с интегралните схеми на климатика е оборудвана с предпазител за защита от голяма сила на тока. Спецификациите на предпазителя са изписани на плочата за интегралните схеми: T3,15AL/250VAC, T5AL/250VAC, T3.15A/250VAC, T5A/250VAC, T20A/250VAC, T30A/250VAC и др.

ЗАБЕЛЕЖКА: За уредите, които използват хладилен агент R32 или R290, може да бъде използван само взривозащитния керамичен предпазител.

Предупреждения относно инсталирането на продукта

1. Инсталирането трябва да се извършва от дистрибутор или оторизиран специалист. Несъответстващото инсталиране може да причини течове на вода, токов удар или пожар.
2. Инсталирането трябва да се извършва в съответствие с инструкциите за инсталиране. Несъответстващото инсталиране може да причини течове на вода, токов удар или пожар (в Северна Америка инсталирането трябва да се извършва в съответствие с изискванията на NEC и CEC само от оторизиран персонал).

3. За ремонт или поддръжка на този уред свържете се с оторизиран сервизен техник. Уредът трябва да се инсталира в съответствие с приложимите разпоредби за електрически инсталации.

4. Използвайте само доставените аксесоари и частите, които са посочени с цел извършване на инсталацията. В противен случай има риск от изтичане на вода, токов удар или несъответстващо функциониране на уреда.

5. Инсталирайте уреда на устойчиво и стабилно място, което да може да поеме тежестта на уреда. Ако избраното място за инсталиране не може да поддържа тежестта на уреда или ако инсталацията не се извърши по съответстващ начин, уредът може да падне и може да причини тежки наранявания и щети.

6. Монтирайте системата от тръбопроводи за извеждане на водата в съответствие с инструкциите от настоящия наръчник. Несъответстващото извеждане на водата може да доведе до щети, причинени от водата.

7. При уредите, които са оборудвани с допълнителен електрически нагревател, не инсталирайте уреда на разстояние по-малко от 1 метър от всякакви запалими материали.

8. Не инсталирайте уреда на място, където може да бъде изложено на изтичане на запалими газове. Ако се натрупват запалими газове в близост до уреда, може да причинят пожар.

9. Не включвайте захранването с електроенергия, докато не приключите всички работи.

10. При преместване или монтиране на климатика на друго място се консултирайте с опитни сервизни техници относно демонтажа и повторния монтаж на уреда.

11. За информация относно монтирането на уреда върху неговата поставка, моля, прочетете раздели „Инсталиране на вътрешното тяло“ и „Инсталиране на външното тяло“.

Информация за флуорирани газове (не е приложимо за уред, който функционира с хладилен агент R290)

1. Този климатик съдържа флуорирани парникови газове. За информация относно вида газ и неговото количество, моля, вижте етикета на уреда или „Наръчник за употреба – Информационен лист за продукта“ в опаковката на външното тяло (само за продукти от Европейския съюз).

2. Инсталирането, отстраняването на повреди, поддръжката и ремонтването на този уред трябва да се извършват от квалифициран техник.

3. Демонтирането и рециклирането на продукта трябва да се извършват от квалифициран техник.

4. За оборудването, което съдържа флуорирани парникови газове в количества 5 тона CO₂ еквивалент или повече, но по-малко от 50 тона CO₂ еквивалент, ако е инсталирана система за откриване на течове, откриването на течове се извършва поне един път на 24 месеца.

5. Тогава, когато се проверява дали уредът има течове, се препоръчва водене на отчетност по отношение на всички проверки.

Предупреждения относно използването на хладилен агент R32/R290

- При използване на запалим хладилен агент уредът трябва да се съхранява в добре вентилирана зона, където размерите на помещението съответстват на повърхността, предвидена за функциониране.

За модели с хладилен агент R32:

Уредът трябва да се инсталира, използва и съхранява в помещение с полезна площ над 4 кв.м. Уредът не трябва да се инсталира в непроветриво пространство, ако това пространство е по-малко от 4 кв.м.

За моделите с хладилен агент R290 минималният необходим размер на помещението:

Уреди с ≤ 9000 Btu/h: 13 кв.м.

Уреди с > 9000 Btu/h и ≤ 12000 Btu/h: 17 кв.м.

Уреди с > 12000 Btu/h и ≤ 18000 Btu/h: 26 кв.м.

Уреди с > 18000 Btu/h и ≤ 24000 Btu/h: 35 кв.м.

- Механичните конектори за многократна употреба и разкроените съединения за многократна употреба не са разрешени на закрито (изисквания на Стандарта EN). Механичните конектори, които се използват на закрито, трябва да имат скорост на изтичане не повече от 3 грама/година при 25% от максимално допустимото налягане. Когато механичните конектори се използват повторно на закрито, уплътняващите компоненти трябва да се подновят. Когато разкроените съединения се използват повторно на закрито, разкроената част трябва да бъде изградена отново (изисквания на Стандарта UL).
Когато механичните конектори се използват повторно на закрито, уплътняващите компоненти трябва да се подновят. Когато разкроените съединения се използват повторно на закрито, разкроената част трябва да бъде изградена отново (изисквания на Стандарта IEC).
- Механичните конектори, които се използват на закрито, трябва да отговарят на стандарта ISO 14903.

Указания относно изхвърлянето (елиминирането)

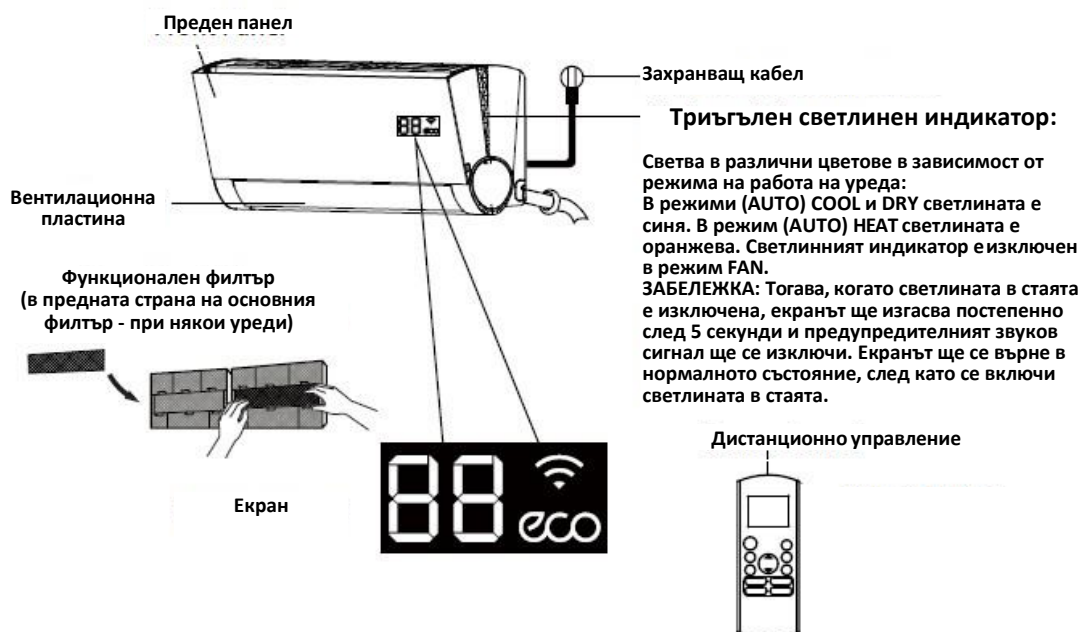
Този уред съдържа хладилен агент и други потенциално опасни материали. За изхвърляне на този уред приложимото законодателство предвижда специално събиране и третиране. Не изхвърляйте този продукт като битови отпадъци или като несортирани общински отпадъци.

Когато изхвърляте този уред, имате на разположение следните опции:

- Изхвърлете уреда в център за събиране на отпадъци от електронно оборудване.
- Когато закупите нов уред, продавачът ще поеме стария уред безплатно.
- Производителят ще поеме стария уред безплатно.
- Продайте уреда на оторизирани фирми, които се занимават с метален скрап.

Изхвърлянето на този уред в гора или в други природни среди застрашава Вашето здраве и има вредно въздействие за околната среда. Опасните вещества може да проникнат в подпочвените води и да навлязат в хранителната верига.

IV. ОПИСАНИЕ



ЗНАЧЕНИЯ НА ПОКАЗАНИТЕ КОДОВЕ

ON – по време на 3 секунди тогава, когато:

- ТАЙМЕРЪТ е активиран (ако уредът е изключен, символът „On“ остава изписан, когато ТАЙМЕРЪТ е активиран)
- са активирани функциите FRESH, SWING, TURBO или SILENCE

OF – по време на 3 секунди тогава, когато:


- е активирана функцията TIMER OFF
- са активирани функциите FRESH, SWING, TURBO или SILENCE

cF – тогава, когато е активирана функцията против охлаждане

dF – по време на операцията за размразяване

SC – по време на операцията за самопочистване (за определени модели)

FP – когато е активирана функцията отопление при 8°C (за определени модели)

 - тогава, когато е активирана функцията за контрол чрез WIFI

eco - тогава, когато е активирана функцията ECO

88 Изписва температурата, режима на функциониране и кодовете за грешка.

В режим FAN уредът ще показва температурата на стаята.

Тогава, когато светлината в стаята е изключена, екранът ще изгасва постепенно и ще се включи предупредителният звуков сигнал. Екранът ще се върне в нормалното състояние, след като се включи светлината в стаята.

В други режими на функциониране уредът ще показва настроената температура.

ЗАБЕЛЕЖКА: Предният панел и дисплеят се различават в зависимост от модела. Уредът, който сте закупили, може да няма всички представени индикатори. Моля, проверете дисплея на вътрешното тяло на закупения от Вас уред.

Изображенията от настоящия наръчник имат обяснителна роля. Реалната форма на вътрешното тяло може да бъде малко по-различна. Реалната форма е за справка.

ПОЛУЧАВАНЕ НА ОПТИМАЛНИ ПОСТИЖЕНИЯ

Оптималните постижения за режимите COOL, HEAT и DRY могат да се получат в рамките на следните температурни интервали. Когато климатикът се използва извън тези диапазони, ще бъдат активирани определени защитни функции, които ще направят устройството да функционира по-малко оптимално.

	Режим COOL (ОХЛАЖДАНЕ)	Режим HEAT (ОТОПЛЕНИЕ)	Режим DRY (ИЗСУШАВАНЕ)
Температура на стаята	17°C - 32°C (62°F - 90°F)	0°C - 30°C (32°F - 86°F)	10°C - 32°C (50°F - 90°F)
Външна температура	0°C - 50°C (32°F - 122°F)	-15°C - 30°C (5°F - 86°F)	0°C - 50°C (32°F - 122°F)
	-15°C - 50°C (5°F - 122°F) (За моделите със системи за охлаждане при ниски температури.)		
	0°C - 52°C (32°F - 126°F) (За специални модели за тропически климат.)		0°C - 52°C (32°F - 126°F) (За специални модели за тропически климат.)

ЗА ВЪНШНИ УРЕДИ С ДОПЪЛНИТЕЛЕН ЕЛЕКТРИЧЕСКИ НАГРЕВАТЕЛ

Тогава, когато външната температура е под 0°C (32°F), Ви препоръчваме да поддържате уреда постоянно включен към източника за захранване с електроенергия с цел осигуряване на оптимални постижения за функциониране.

При моделите с фиксирана скорост

	Режим COOL (ОХЛАЖДАНЕ)	Режим HEAT (ОТОПЛЕНИЕ)	Режим DRY (ИЗСУШАВАНЕ)
Температура на стаята	17°C-32°C (62°F-90°F)	0°C-30°C (32°F-86°F)	10°C-32°C (50°F-90°F)
Външна температура	18°C-43°C (64°F-109°F)	-7°C-24°C (19°F-75°F)	11°C-43°C (52°F-109°F)
	-7°C-43°C (19°F-109°F) (За моделите със системи за охлаждане при ниски температури.)		18°C-43°C (64°F-109°F)
	18°C-52°C (64°F-126°F) (За специални модели за тропически климат.)		18°C-52°C (64°F-126°F) (За специални модели за тропически климат.)

ЗАБЕЛЕЖКА: Относителната влажност в помещението трябва да бъде под 80%. Ако климатикът функционира в помещение, където относителната влажност надвишава това ниво, може да се появи конденз. Препоръчваме Ви да регулирате вертикално пластинката на вентилационния процеп на максималния ъгъл (вертикално спрямо пода) и да регулирате вентилатора при най-високата скорост (HIGH).

С цел допълнителна оптимизация на постиженията на Вашия уред следвайте съветите по-долу:

- Дръжте затворени вратите и прозорците.
- Намалете разхода на електроенергия чрез използване на функциите TIMER ON и TIMER OFF.
- Не блокирайте отворите за влизане или извеждане на въздуха.
- Проверявайте и почиствайте периодично филтрите.

За подробно обяснение на всяка функция прочетете наръчника на дистанционното управление.

ИЗОБРАЖЕНИЯТА ОТ НАСТОЯЩИЯ НАРЪЧНИК ИМАТ ОБЯСНИТЕЛНА РОЛЯ. РЕАЛНАТА ФОРМА НА ВЪТРЕШНОТО ТЯЛО МОЖЕ ДА БЪДЕ МАЛКО ПО-РАЗЛИЧНА. РЕАЛНАТА ФОРМА Е ЗА СПРАВКА

• **Автоматично повторно включване**

Ако се прекъсне захранването с електроенергия, уредът ще се включи автоматично, като се запазват настройките, при възобновяване на захранването с електроенергия.

• **Интелигентно откриване на светлина**

Тогава, когато светлината в стаята е изключена, екранът и триъгълният светлинен индикатор ще изгасват постепенно след 5 секунди и предупредителният звуков сигнал ще се изключи. Екранът ще се върне в нормалното състояние, след като се включи светлината в стаята.

ЗАБЕЛЕЖКА: Тогава, когато има силна светлина в стаята, екранът и триъгълният светлинен индикатор ще останат включени. Тогава, когато има слаба светлина в стаята, можете да натиснете бутона LED от дистанционното управление, за да включите/изключите екрана.

• **Контрол чрез WIFI**

Функцията за контрол чрез WIFI Ви позволява да контролирате климатика с помощта на мобилен телефон и WIFI връзка. Смяната на компонентите на USB устройството и операциите по поддръжка трябва да се извършват от квалифициран персонал.

• **Запаметяване на ъгъла на вентилационната пластина (при определени модели)**

При включване на уреда вентилационната пластина ще се върне автоматично към предходно настроеня ъгъл.

• **Откриване на течове на хладилния агент**

Вътрешното тяло ще показва автоматично на екрана надпис "EC" или „ELOC“ тогава, когато се откриват течове на хладилен агент.

• **Интелигентна система за регулиране на въздушния поток (Forest wind)**

Тогава, когато уредът се намира в режим COOL или AUTO, натиснете бутона SWING от дистанционното управление; по този начин уредът ще подава удобен и тих въздушен поток, който ще Ви предостави приятно усещане.

За подробни обяснения относно напредналите функции на Вашия уред (като режима TURBO, "Follow me", SILENT, 8°C отопление или функцията за автоматично почистване), прочетете наръчника с инструкции на дистанционното управление.

• **Контрол на посоката на въздушния поток**

Вертикално регулиране на въздушния поток

Докато уредът е включен, използвайте бутона SWING/DIRECT, за да регулирате посоката (вертикалния ъгъл) на въздушния поток.

1. Натиснете бутона SWING/DIRECT един път, за да активирате вентилационната пластина. При всяко натискане на бутона вентилационната пластина ще се премества с ъгъл от 6°.

Натискайте бутона, докато се настрои желаната посока.

2. За да се върти постоянно по вертикала пластината на вентилационния отвор, натиснете и задръжте натиснат бутона SWING/DIRECT за 3 секунди. Натиснете отново бутона, за да дезактивирате тази функция.

Хоризонтално регулиране на въздушния поток

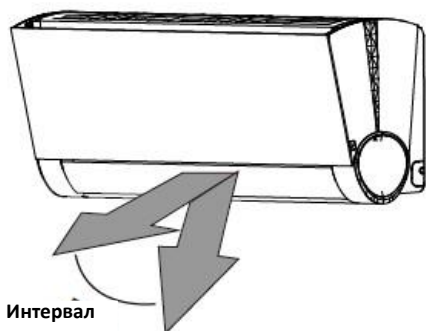
Хоризонталното регулиране на въздушния поток трябва да се извършва ръчно. Задействайте ръчно лоста на дефлектора и регулирайте го в желаната посока. При някои уреди хоризонталният ъгъл на въздушния поток може да се регулира с помощта на дистанционното управление. Моля прочетете наръчника на дистанционното управление.

• Забележка относно ъглите на вентилационната пластина

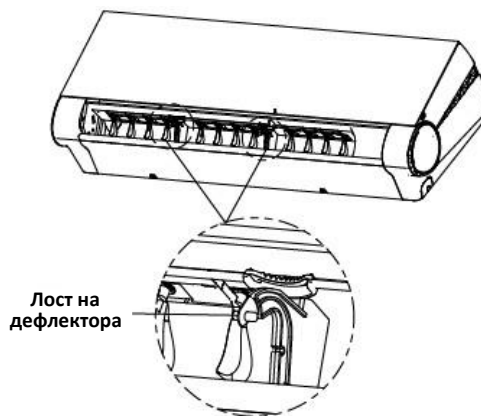
Не използвайте климатика за дълъг период от време с ориентиран надолу въздушен поток в режими COOL или DRY. В противен случай може да се образува конденз върху пластината на вентилационния отвор и кондензираната вода може да започне да капи върху пода или мебелите.

Тогава, когато уредът функционира в режими COOL или DRY, ориентирането надолу на въздушния поток може да намали производителността на уреда поради намален въздушен поток.

Не движете с ръка пластината на вентилационния отвор. Това ще доведе до десинхронизация на вентилационната пластина. В този случай изключете уреда и извадете щепсела от контакта за няколко секунди, а след това включете го отново. Тази операция ще занули настройката на позицията на вентилационната пластина.



Внимание: Не използвайте климатика за дълъг период от време с ориентиран надолу въздушен поток. Това може да доведе до изтичане на кондензираната вода върху мебелите.



ВНИМАНИЕ

Не поставяйте пръстите си или предмети в отворите за влизане или извеждане на въздуха. Вътрешният вентилатор може да Ви нарани.

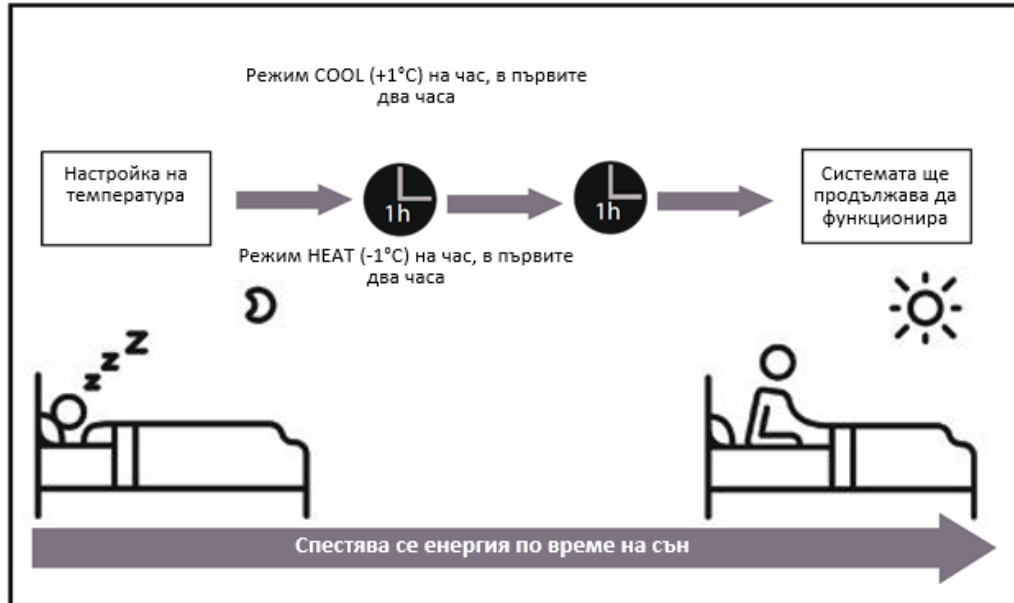
• **Функциониране в режим SLEEP**

Функцията SLEEP се използва за намаляване на разхода на електроенергия докато спите (и нямате нужда от същите настройки на температурата, за да се чувствате комфортно). Тази функция може да се активира само с помощта на дистанционното управление.

Натиснете бутона SLEEP тогава, когато отивате да спите. В режим COOL уредът ще увеличава температурата с 1°C (2°F) (след 1 час) и с още 1°C (2°F) след още 1 час. В режим HEAT уредът ще намалява температурата с 1°C (2°F) (след 1 час) и с още 1°C (2°F) след още 1 час.

Функцията SLEEP ще се дезактивира след 8 часа и системата ще продължи да функционира с предишните настройки.

Забележка: Функцията SLEEP не е достъпна в режим FAN или DRY.



Използване на уреда без дистанционно управление

Ако дистанционното управление не функционира, уредът може да се задейства ръчно с помощта на бутона за РЪЧНА КОМАНДА, намиращ се върху вътрешното тяло. Моля запомнете, че ръчното задействане не представлява дългосрочно решение и използването на дистанционно управление е най-препоръчаното решение.

ПРЕДИ РЪЧНОТО ЗАДЕЙСТВАНЕ

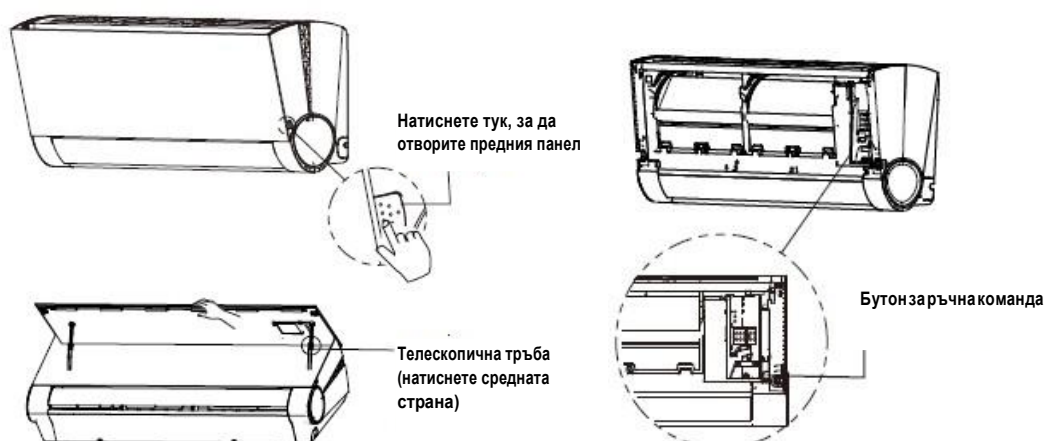
Преди ръчното задействане уредът трябва да се ИЗКЛЮЧИ.

За ръчно задействане на уреда:

1. Натиснете бутоните, намиращи се от двете страни на вътрешното тяло, след това вдигнете предния панел и фиксирайте го с помощта на телескопичната тръба.
2. Намерете бутона за РЪЧНА КОМАНДА в дясната страна на вътрешното тяло. Натиснете вдлъбнатия бутон с пръст или с върха на химикалка.
3. За да активирате принудителното функциониране в режим AUTO, натиснете един път бутона за РЪЧНА КОМАНДА.
4. За да активирате принудителното функциониране в режим COOLING (охлаждане), натиснете отново бутона за РЪЧНА КОМАНДА.
5. За да изключите уреда, натиснете трети път бутона за РЪЧНА КОМАНДА.
6. За затваряне на предния панел дръжте панела с ръка и натиснете средната част на телескопичната тръба.

ВНИМАНИЕ

Бутонът за ръчна команда се използва само за тестване или в случай на нефункциониране на дистанционното управление. Моля не използвайте тази функция, освен ако сте загубили дистанционното управление или ако е абсолютно необходимо. С цел връщане към нормалната употреба използвайте дистанционното управление, за да включите уреда.



VII. ПОЧИСТВАНЕ И ПОДДРЪЖКА



ПРЕДИ ПОЧИСТВАНЕ

ВИНАГИ СПИРАЙТЕ КЛИМАТИКА И ИЗКЛЮЧВАЙТЕ ГО ОТ ИЗТОЧНИКА ЗА ЗАХРАНВАНЕ С ЕЛЕКТРОЕНЕРГИЯ ПРЕДИ ИЗВЪРШВАНЕ НА ОПЕРАЦИИ ЗА ПОЧИСТВАНЕ ИЛИ ПОДДРЪЖКА.

ЗАБЕЛЕЖКА: Захранването с електроенергия трябва да се прекъсва преди почистване на вътрешното тяло.



ВНИМАНИЕ!

Избърсвайте уреда само с мека и суха кърпа. Ако уредът е много замърсен, избърсвайте го с кърпа, която е била потопена в топла вода.

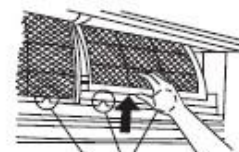
- Не използвайте химични вещества или кърпи третирани с химични вещества, за да почистите уреда.
- Не използвайте бензин, разреждател, пудра за блясък или други подобни разтворители с цел почистване. Тези вещества могат да причинят напукване или деформация на пластмасовата повърхност.
- Не използвайте вода с температура по-висока от 40°C/104°F, за да почиствате предния панел. Това може да причини деформация или обезцветяване на панела.

Почистване на въздушния филтър

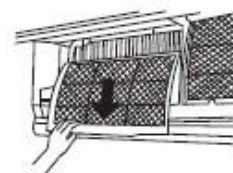
Запушеният въздушен филтър намалява ефективността на този уред при охлаждане, като може и да вреди на Вашето здраве. Почиствайте филтъра веднъж на всеки две седмици.

1. Натиснете бутоните, намиращи се от двете страни на вътрешното тяло, след това вдигнете предния панел и фиксирайте го с помощта на тръбата за задържане.
2. Хванете дръжката на въздушния филтър и вдигнете го леко, за да го извадите от неговата поставка, след това дръпнете го леко към Вас.
3. Дръпнете надолу, за да извадите филтъра.
4. Ако основният филтър е предвиден с филтър за освежаване на въздуха, извадете го от основния филтър. Почиствайте филтъра за освежаване на въздуха с преносима прахосмукачка.
5. Почиствайте основния филтър с вода и сапун. Уверете се, че използвате слаб препарат за миене.
6. Изплаквайте филтъра с чиста вода, след това елиминирайте остатъка от вода.
7. Оставете го да изсъхне на хладно или сухо място; не излагайте филтъра на пряка слънчева светлина.
8. След изсъхване на филтъра поставете филтъра за освежаване на въздуха в основния филтър и монтирайте основния филтър във вътрешното тяло.
9. Затворете предния панел на вътрешното тяло.

ЗАБЕЛЕЖКА: След почистване свържете отново уреда към източника за захранване с електроенергия.



Дръжка на филтъра



Отстранете филтъра за освежаване на въздуха от задната страна на основния филтър (при определени уреди).





ВНИМАНИЕ!

- Не докосвайте филтъра (с плазма) за освежаване на въздуха по време на най-малко 10 минути след изключване на уреда.
- Преди смяна на филтъра или извършване на операции за почистване, спрете уреда и изключете го от източника за захранване селектроенергия.
- Тогава, когато отстранявате филтъра, не докосвайте металните части от вътрешната част на тялото. Металните ръбове могат да Ви наранят.
- Не използвайте вода за почистване на вътрешната част на климатика. Излагането на вода може да повреди изолацията и може да предизвика токов удар.
- Не излагайте филтъра на пряка слънчева светлина. Това може да доведе до свиване на филтъра.

Функция напомняне за въздушния филтър (опционално)

Функция напомняне за почистване на въздушния филтър

След 240 часа на функциониране екранът на вътрешното тяло ще показва премигвайки "CL". Тази функция представлява напомняне за почистване на филтъра. След 15 секунди уредът ще възстанови предходното показание на дисплея.

С цел зануляване на функцията натиснете 4 пъти бутона LED от дистанционното управление или натиснете бутона за РЪЧНА КОМАНДА 3 пъти. Ако не занулите функцията, индикаторът "CL" ще се показва отново премигвайки тогава, когато включите отново уреда.

Функция напомняне за подмяна на въздушния филтър

След 2880 часа на функциониране екранът на вътрешното тяло ще показва премигвайки "nF". Тази функция представлява напомняне за подмяна на филтъра. След 15 секунди уредът ще възстанови предходното показание на дисплея.

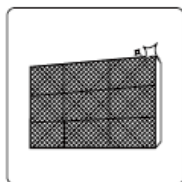


ВНИМАНИЕ!

- Всички операции, които включват поддръжка и почистване на външното тяло, трябва да се извършват от дистрибутор или оторизиран сервизен център.
- Всички операции, които включват ремонт на уреда, трябва да се извършват от дистрибутор или оторизиран сервизен център.

Поддръжка – Ако уредът няма да се използва за по-дълъг период от време

Ако възнамерявате да не използвате уреда за по-дълъг период от време, изпълнете следните действия:



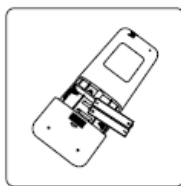
Почистете всички филтри.



Оставете активна функцията FAN, докато уредът е изцяло сух.



Спрете уреда и изключете го от източника захранване селектроенергия.



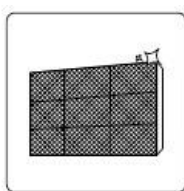
Извадете батериите от дистанционното управление.

Поддръжка – Проверки преди употреба

След дълъг период, когато не сте използвали уреда, или след периоди на честа употреба изпълнете следните действия:



Проверете дали има повредени жици.



Почистете всички филтри.



Проверете дали има течове.



Подменете батериите.



Уверете се, че отворите за влизане и извеждане на въздуха не са запушени.

VIII. ОТСТРАНЯВАНЕ НА ПОВРЕДИ

МЕРКИ ЗА БЕЗОПАСНОСТ

При ВСЯКА от следните ситуации изключете веднага уреда!

- Захранващият кабел е повреден или прекалено горещ.
- Усещате миризма на изгоряло.
- Уредът издава силни или ненормални шумове.
- Често изгаря предпазител или се изключва автоматичния предпазител.
- Вода или други предмети текат/падат върху или от уреда.

НЕ СЕ ОПИТВАЙТЕ ДА ОТСТРАНЯВАТЕ САМИ ТЕЗИ ПОВРЕДИ! СВЪРЖЕТЕ СЕ ВЕДНАГА С ОТОРИЗИРАН СЕРВИЗЕН ЦЕНТЪР!

Проблем	Причина
Уредът не се включва при натискане на бутона за ВКЛЮЧВАНЕ/ИЗКЛЮЧВАНЕ.	С цел защита от претоварване уредът е оборудван със защита, която възпрепятства включването по време на 3 минути. Уредът не може да се включва отново в интервал от 3 минути, считано от момента на изключване.
Уредът превключва от режим COOL/HEAT в режим FAN.	Уредът може да промени настройката с цел предотвратяване на образуването на лед върху тялото. Заедно с увеличаването на температурата, уредът ще започне да работи в предходно избрания режим. Когато е достигната настроената температура, уредът ще изключва компресора. Уредът ще продължава да функционира тогава, когато температурата се промени отново.
Излизат бели изпарения от вътрешното тяло.	На места с висока влажност, голямата разлика в температурата между въздуха в стаята и въздуха от климатика може да причини образуване на изпарения с бял цвят.
Излизат бели изпарения от вътрешното и външното тяло.	Тогава, когато уредът се включва в режим HEAT след операция на размразяване, белите изпарения могат да се образуват вследствие на влагата, генерирана от процеса на размразяване.
Вътрешното тяло образува шумове	Тогава, когато пластината на вентилационния отвор се върне в първоначалната позиция, е възможно да се образува съскане. След функциониране на уреда в режим HEAT, може да се образува скърцане, причинено от разширяването и свиването на пластмасовите части на уреда.
Вътрешното и външното тяло образуват шумове.	Съскане с нисък интензитет по време на функциониране: Това е нормално и е причинено от преминаването на охлаждащия агент през вътрешното и външното тяло. Съскане с нисък интензитет тогава, когато системата се включва, веднага след изключване или по време на размразяване: Този шум е нормален и е причинен от спиране на охлаждащия агент или промяна на неговата посока. Скърцане: Нормалното разширяване и стесняване на пластмасовите и металните части, причинени от промените на температурата по време на функциониране, могат да образуват шумове.
Външното тяло образува шумове	Тялото образува различни шумове в зависимост от текущия режим на функциониране.
Излиза прах от вътрешното и външното тяло.	Тялото може да акумулира прах по време на дългите периоди, когато не се използва, и този прах излиза при включване на уреда. Това може да се ограничи чрез покриване на тялото по време на дългите периоди, когато не се използва.

От вътрешното тяло излиза неприятна миризма.	Тялото може да абсорбира миризмите от околната среда (като например миризмата на мебелите, миризмата по време на готвене, цигарения дим и др.), като тези миризми са образувани по време на функциониране.
	Върху филтрите на тялото е образуван мухъл и изисква почистване.
Вентилаторът на външното тяло не функционира.	По време на функциониране оборотите на вентилатора се контролират с оглед оптимизация на постиженията на уреда.
Непредвидимо или несъответстващо функциониране, или уредът не отговаря на командите	Смущенията, причинени от усилвателите и кулите за клетъчни телефони, могат да причинят несъответстващо функциониране на уреда. В този случай изпълнете следните действия: • Изключете уреда от източника за захранване с електроенергия и включете го отново. • Натиснете бутона ON/OFF от дистанционното управление, за да включите повторно уреда.

ПРОБЛЕМ	ВЪЗМОЖНИ ПРИЧИНИ	РЕШЕНИЕ
Неефективно охлаждане	Настроената температура може да бъде по-висока от температурата на околната среда.	Настройте по-ниска температура.
	Превключвателят на топлината на вътрешното или външното тяло е замърсен.	Почистете превключвателя на топлината.
	Въздушният филтър е замърсен.	Извадете филтъра и почистете го в съответствие с инструкциите.
	Отворите за влизане и изпускане на въздуха на едно от телата са запушени.	Изключете уреда, отстранете причината за запушването и включете го отново.
	Вратите и прозорците са отворени.	Уверете се, че всички врати и прозорци са затворени по време на функциониране на уреда.
	Слънчевата светлина предизвиква прекомерна топлина.	Затворете вратите и прозорците в горещите дни или при силно слънце.
	Има твърде много източници на топлина в стаята (хора, компютри, електроуреди и др.)	Намалете броя на източниците на топлина.
	Ниско ниво на охлаждащия агент поради течове или продължително време на употреба	Проверете дали има течове, възобновете плътното затваряне (ако е необходимо) и заредете с необходимото количество охлаждащ агент.
Активирана е функцията SILENCE	Функцията SILENCE може да намали производителността на продукта чрез намаляване на честотата на функциониране. Деактивирайте функцията SILENCE.	
Уредът не функционира.	Прекъсване на захранването с електроенергия	Изчакайте възстановяване на захранването с електроенергия.
	Уредът е изключен.	Включете уреда.
	Предпазителят е изгорял.	Подменете предпазителя.
	Батериите на дистанционното управление са изтощени.	Подменете батериите.

	3-минутната защита на уреда е активирана.	Изчакайте 3 минути след повторното включване на тялото.
	Таймерът е активиран.	Изключете таймера.
Тялото се включва и изключва често.	Количеството охлаждащ агент от системата е твърде голямо или твърде малко.	Проверете дали има течове и презаредете с необходимото количество
	В системата са проникнали несвиваем газ или влага.	Изпразнете системата и заредете я отново с охлаждащ агент.
	Компресорът е повреден.	Сменете компресора
	Електрическото напрежение е твърде голямо или твърде малко.	Инсталирайте стабилизатор за регулиране на напрежението.
Неефективно отопление	Външната температура е по-ниска от 7°C (44,5°F).	Използвайте допълнителното устройство за отопление.
	Въздухът прониква през вратите и прозорците.	Уверете се, че всички врати и прозорци са затворени по време на функциониране на уреда.
	Ниско ниво на охлаждащия агент поради течове или продължително време на употреба	Проверете дали има течове, възобновете плътното затваряне (ако е необходимо) и заредете с необходимото количество охлаждащ агент.
Светлинните показатели продължават да премигват.	<p>Уредът може да спре да функционира или може да продължава да функционира при безопасни условия. Ако светлинните индикатори продължават да премигват или се появяват кодове за грешка, изчакайте около 10 минути. Проблемът може да се разреши от само себе си. В противен случай изключете тялото от източника за захранване с електроенергия и след това го свържете отново. Включете уреда. Ако проблемът продължава да съществува, изключете уреда от източника за захранване с електроенергия и свържете се с най-близкия сервизен център.</p>	
Екранът на вътрешното тяло показва кодове за грешка:		
	<ul style="list-style-type: none"> • E0, E1, E2... • P1, P2, P3... • F1, F2, F3... 	

ЗАБЕЛЕЖКА: Ако проблемът продължава да съществува след извършване на проверките по-горе, изключете веднага уреда и свържете се с оторизиран сервизен център.

ВНИМАНИЕ

При ВСЯКА от следните ситуации изключвайте веднага уреда!

- Захранващият кабел е повреден или прекалено горещ.
- Усеца се миризма на изгоряло.
- Уредът издава силни или ненормални шумове.
- Често изгаря предпазител или се изключва автоматичния предпазител.
- Вода или други предмети текат/падат върху или от уреда.



**НЕ СЕ ОПИТВАЙТЕ ДА ОТСТРАНЯВАТЕ ТЕЗИ ПОВРЕДИ!
СВЪРЖЕТЕ СЕ С ОТОРИЗИРАН СЕРВИЗЕН ЦЕНТЪР!**

IX. ТЕХНИЧЕСКИ ДАННИ

Модел	НАС-12OWF-GD	НАС-12OWF-ВК	НАС-09OWF-ВК
Захранване	1208-1340 W	1208-1340 W	712-771 W
Напрежение	220-240V, 50Hz	220-240V, 50Hz	220-240V, 50Hz
Капацитет за охлаждане	12000 BTU	12000 BTU	9000 BTU
Ниво на шум	50/63 dB	50/63 dB	50/63 dB
Цвят	aranysárga	czarny	czarny



ИЗХВЪРЛЯНЕТО НА ОТПАДЪЦИТЕ ПО ОТГОВОРЕН НАЧИН КЪМ ОКОЛНАТА СРЕДА

Можете да помогнете за опазването на околната среда!

Молим ви да спазвате местните закони и правила: занесете нефункциониращите електрически уреди в пунктовете за събиране на отпадъци от електрическо оборудване.



HEINNER е регистрирана търговска марка на компанията **Network One Distribution SRL**.

Другите марки, наименованията на продуктите са регистрирани търговски марки на съответните им собственици.

Никаква част от спецификациите не може да бъде възпроизвеждана под каквато и да е форма или по какъвто и да е начин, използвана за получаване на производни като преводи, преработки или адаптиране на текста, без предварителното разрешение на компанията NETWORK ONE DISTRIBUTION.

Copyright © 2013 Network One Distribution. All rights reserved.

<http://www.heinner.com>, <http://www.nod.ro>

Вносител: **Network One Distribution**

Ул. Марчел Янку, № 3-5, Букурещ, Румъния

Тел.: +40 21 211 18 56, www.heinner.ro, www.nod.ro



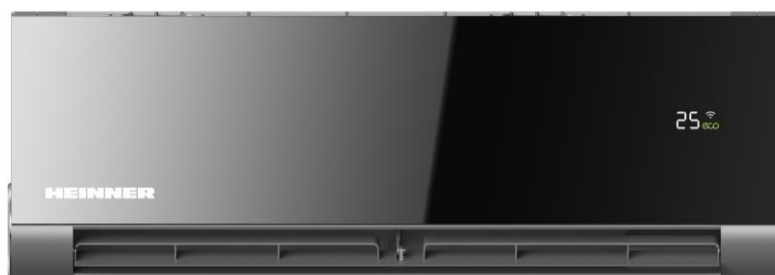
Този продукт е проектиран и реализиран в съответствие с европейските стандарти и норми на Европейската общност.

HEINNER

LÉGKONDITIONÁLÓ KÉSZÜLÉK

OBSIDIAN WIFI

Típus: HAC-12OWF-BK
HAC-12OWF-GD
HAC-09OWF-BK



- Légkondicionáló készülék
- Teljesítmény: 9000 / 12000 BTU
- Szín: fekete, aransárga

Köszönjük, hogy ezt a terméket választotta!

I. BEVEZETŐ

Kérjük, olvassa el figyelmesen az utasításokat, és őrizze meg a kézikönyvet későbbi felhasználásra.

A kézikönyv a készülék telepítésére, használatára és karbantartására vonatkozó összes utasítást tartalmazza.

Kérjük, hogy a helyes és biztonságos kezelés céljából telepítés és használat előtt olvassa el figyelmesen a használati kézikönyvet.

II. A CSOMAG TARTALMA



- **Légkondicionáló készülék**
- **Távírányító**
- **Használati kézikönyv**
- **Garancialevél**



Vigyázat: Tűzveszély / gyúlékony anyagok

FIGYELMEZTETÉS: A karbantartási munkák csak a gyártó előírásainak megfelelően végezhetőek. Az olyan karbantartási és javítási munkák, melyekhez más szakképesítésű személy szükséges, a gyúlékony hűtőközegek használatában kompetens személy felügyelete alatt végzendők. További részletekért olvassa el a TELEPÍTÉSI KÉZIKÖNYV Tájékoztató műszaki támogatásról című fejezetét.

A belső vagy a külső egységen található jelképek magyarázata:

	FIGYELMEZTETÉS	Ez a jel azt mutatja, hogy ez a készülék gyúlékony hűtőközeget használ. Ha a hűtőközeg kifolyik, és egy külső gyújtóforrásnak van kitéve, tűzveszélyes.
	ELŐVIGYÁZAT	Ez a jel azt mutatja, hogy figyelmesen olvassa el a felhasználói kézikönyvet.
	ELŐVIGYÁZAT	Ez a jel azt mutatja, hogy a szakképzett személyek vegyék figyelembe ezzel a felszereléssel kapcsolatosan a telepítési kézikönyvben megszabottakat.
	ELŐVIGYÁZAT	
	ELŐVIGYÁZAT	Ez a jel azt mutatja, hogy tájékoztatók állnak rendelkezésre, úgy mint az üzemeltetési vagy a telepítési kézikönyv.

A készüléket 8 év fölötti gyerekek és korlátozott fizikai, érzékszervi vagy mentális képességekkel rendelkező, illetve a megfelelő tapasztalattal és jártassággal nem rendelkező személyek csak felügyelet mellett használhatják, vagy ha felkészítették őket a készülék biztonságos használatára, illetve ha tisztában vannak a helytelen használat veszélyeivel. A gyermekeknek tilos játszani a készülékkel. A berendezés tisztítását és karbantartását gyerekek felnőttek felügyelete nélkül nem végezhetik (Európai Unió államai szabályzata).

A készülék nem használható csökkent értelmi, érzékszervi, vagy fizikai képességű személyek által (gyermekeket is beleértve), vagy olyanok által, akik nem rendelkeznek a kellő mennyiségű tudással és tapasztalattal, csak felügyelet mellett, vagy ha a felügyeletért és a biztonságukért felelős személy megtanította őket a helyes használatra. A gyerekekre figyelni kell, nem kell engedni, hogy a készülékkel játszanak.

Szokatlan jelenség észlelésekor (például égett szag) azonnal kapcsolja ki és áramtalanítsa a készüléket. Az áramütés, tűz és sérülés elkerülésével kapcsolatos utasításokért lépjen érintkezésbe a forgalmazóval.

- Tilos belenyúlni vagy bármilyen tárgyat beledugni a befűvő vagy kifűvő nyílásába. A nagy sebességű ventilátorral való érintkezés súlyos sérüléshez vezet.
- Az egység közelében tilos gyúlékony folyadék vagy aeroszol (spray) alapú tisztítószer, lakkok vagy festékek használata, mert tűzveszélyt jelentenek.
- Ne használja a légkondicionáló készüléket olyan helyeken, ahol gyúlékony gázok szabadulhatnak fel. A kibocsátott gázok az egység köré gyűlve robbanást okozhatnak.
- Ne használja a légkondicionáló készüléket nedves szobában, mint a fürdőszoba vagy a mosoda. A készülék víznek való túlzott kitevése az alkatrészek rövidzárlatát idézheti elő.
- Ne tartózkodjon hosszú ideig a közvetlen hideg légáramlás közelében.
- Ne engedje a gyermekeket a légkondicionáló készülékkel játszani. A készülék közelében lévő gyermekeket tartsa állandó felügyelet alatt.
- Az oxigénhiány elkerülése érdekében szellőztesse ki jól a helyiséget ha a légkondicionáló készüléket égető vagy más melegítő berendezésekkel együtt használja.
- Egyes funkcionális környezetek, mint konyhák vagy tároló helyiségek stb. esetében speciálisan megtervezett légkondicionáló készülékek használata javasolt.

Tisztításra és a karbantartásra vonatkozó figyelmeztetések

- Az áramütésveszély elkerülése érdekében tisztítás előtt kapcsolja ki és áramtalanítsa a készüléket.
- A légkondicionáló berendezés tisztításához ne használjon túlzott mennyiségű vizet.
- Ne tisztítsa a légkondicionáló készüléket gyúlékony tisztító szerekkel. A gyúlékony tisztítószeres tüzesetet vagy elváltozásokat okozhatnak.

Figyelem!

- Kapcsolja ki a berendezést és húzza ki a dugaszt a csatlakozóaljzatból, ha a készüléket hosszabb ideig nem használja.
- Viharok esetén kapcsolja ki a légkondicionáló készüléket, és húzza ki a dugaszolót a csatlakozóaljzatból.
- Bizonyosodjon a kondenzvíz zavartalan kifolyásáról a készülékből.
- Az áramütésveszély elkerülése érdekében ne nyúljon a légkondicionáló készülékhez nedves kézzel!
- Ne használja a készüléket a tervezett céltól eltérő célra.
- Ne másszon fel a külső egység felső felületére, és ne helyezzen el tárgyakat rajta.
- Ne működtesse a légkondicionáló berendezést hosszú ideig nyitott ajtók és ablakok mellett vagy nagyon magas a nedvességben.

Az elektromos árammal kapcsolatos kockázatokra vonatkozó figyelmeztetések

- Csak a javasolt tápvezetékét használja. A veszélyek elkerülése érdekében, ha a hálózati kábel megsérült, ki kell cseréltetni a gyártóval, ennek hivatalos márkaszervizével vagy egy hasonló szakképzettséggel rendelkező személlyel.
- Tartsa a dugaszolót tisztán. Távolítsa el a dugaszolóban vagy körülötte felgyűlt port vagy szennyeződést. A elszennyeződött dugaszok tüzet vagy áramütést okozhatnak.
- Ne rántsa meg a tápvezetékét a csatlakozóból való kihúzásakor. Tartsa határozottan a dugaszolót, és úgy húzza ki a csatlakozóból. Ha közvetlenül a vezetéktől fogva húzza ki, a vezeték megrongálódhat, és tüzet vagy áramütést okozhat.
- Ne módosítsa a tápkábel hosszát, és ne használjon hosszabbítót a készülékhez.
- Ne használja ezt az elektromos csatlakozójelzőt más készülékekhez is. Egy nem megfelelő tápforrás tüzet vagy áramütést okozhat.
- Az üzembe helyezéskor szükséges elvégezni a készülék megfelelő földelését; ellenkező esetben áramütésveszély alakulhat ki.
- Minden elektromossági munkálat esetében tartsa be az elektromos készülékekre vonatkozó helyi országos szabványokat és előírásokat, valamint a kézikönyv utasításait. Csatlakoztassa helyesen a huzalokat, és kapcsolatokkal fogassa oda, hogy meggyőződjön arról, hogy semmilyen külső hatás nem hat a szorítókra. A nem megfelelő elektromos csatlakoztatások felmelegedhetnek, és tüzet vagy áramütést idézhetnek elő. Minden elektromos csatlakoztatást a belső és külső egység paneljén található elektromos csatlakoztatási ábráknak megfelelően kell végezni.
- Építse ki helyesen a huzalok útvonalait annak érdekében, hogy a vezérlőpanel megfelelően becsukható legyen. Ha a vezérlőpanel fedőlapja nem csukódik be megfelelően, a szorító a csatlakozási pontokban felmelegedhetnek, valamint tűz és áramütés veszély kockázata is fennáll.
- Helyhez kötött villamos berendezéshez csatlakoztatva a tápfeszültség áramkörébe egy omnipoláris leválasztó eszközt kell beépíteni, amelynek érintkezői közötti távolság legalább 3 mm. Ennek egy 10 mA-t meghaladó szivárgási áramnak kell lennie, ugyanakkor ajánlott egy maradékáram-védelmi eszköz (DDR) beszerelése, amelynek maradék funkcionális áramerőssége nem haladja meg a 30 mA. Ezt a rendszert be kell építeni a helyhez kötött berendezésbe, a hatályos előírásoknak megfelelően.

Biztonsági műszaki leírás

A légkondicionáló készülék integrált áramkörös lemeze túláram elleni védelmi biztosítékkal van ellátva. A biztosíték műszaki leírása az áramköri lemezre van feltüntetve: T3,15AL/250VAC, T5AL/250VAC, T3.15A/250VAC, T5A/250VAC, T20A/250VAC, T30A/250VAC stb.

MEGJEGYZÉS: Az R32 vagy R290 hűtőközeget használó készülékekhez csak robbanás biztos kerámia biztosíték használható.

A termék beszerelésére vonatkozó figyelmeztetések

1. Az üzembe helyezést hivatalos forgalmazónak vagy szakembernek kell végeznie. A nem megfelelő üzembe helyezés vízszivárgást, áramütést vagy tüzet idézhet elő.
2. Az üzembe helyezést a beszerelési utasításoknak megfelelően kell elvégezni. A nem megfelelő üzembe helyezés vízszivárgást, áramütést vagy tüzet idézhet elő (Észak-Amerikában a beszerelést, a NEC és a CEC követelményeinek megfelelően, csak erre felhatalmazott személyzet végezheti).
3. A készülék javítása és karbantartása érdekében lépjen érintkezésbe egy szakszerviz képviselőjével. A készüléket az elektromos berendezésekre vonatkozó előírásoknak megfelelően kell felszerelni.
4. Kizárólag az üzembe helyezés érdekében meghatározott alkatrészeket és forgalmazott tartozékokat használja. Ellenkező esetben fennáll a vízszivárgás, az áramütés vagy a készülék nem megfelelő működésének kockázata.

5. A készüléket stabil és teherbíró helyen szerelje fel, amely képes megtartani a készülék súlyát. Ha a kiválasztott hely nem tudja megtartani a készülék súlyát vagy nem történt megfelelően az üzembe helyezés, a készülék leeshet, és súlyos sérüléseket és károkat okozhat
6. A vízkivezető csőrendszert a jelen kézikönyv utasításai szerint szerelje fel. A víz nem megfelelő kivezetése víz által okozott károsodáshoz vezet.
7. Az elektromos mellékmelegítővel ellátott készülékek esetében ne szerelje a készüléket bármilyen gyúlékony anyagtól 1 méternél kisebb távolságra.
8. Ne helyezze a készüléket olyan helyre, amely gyúlékony gázoknak van kitéve. Ha a készülék közelében gyúlékony gázok halmozódnak fel, azok tűzesetet okozhatnak.
9. Ne kapcsolja be az áramellátást, amíg az összes munkálatot nem fejezte be.
10. A legkondicionáló athelyezésekor és mozgatasakor kerje tapasztalt szerviztechnikus tanácsát a berendezés levasztásával és ismételt üzembe helyezésével kapcsolatban.
11. A készülék állványra történő felszerelésével kapcsolatos információkért olvassa el a "A beltéri egység felszerelése" és a "A kültéri egység felszerelése" szakaszokat.

Fluorozott gázra vonatkozó információk (az R290 hűtőközeget használó berendezéseknél nem alkalmazható)

1. Ez a légkondicionáló fluortartalmú üvegházhatású gázokat tartalmaz. A gáz típusára és mennyiségére vonatkozó információkat a készülék címkéjén vagy a kültéri egység csomagolásán található "Felhasználói kézikönyv - Termék adatlap" című részben olvashatja el (csak az Európai Unióban forgalmazott termékekre vonatkozik).
2. A készülék üzembe helyezését, zavarmentesítését, karbantartását és javítását hivatalos szakembernek kell elvégeznie.
3. A termék leszerelését és újrahasznosítását hivatalos szakembernek kell elvégeznie.
4. Fluorozott üvegházhatású gázokat legalább 5 tonna egyenérték mennyiségben, de kevesebb mint 50 tonna CO₂ egyenérték mennyiségben tartalmazó berendezések esetében, ha szivárgásérzékelő rendszert telepítettek, a szivárgásérzékelést legalább 24 havonta egyszer ellenőrzik.
5. A készülék szivárgásának ellenőrzésekor ajánlott az ellenőrzésekre vonatkozó kimutatás készítése.

Figyelmeztetések az R32/R290 hűtőközeg használatára vonatkozóan

- Gyúlékony hűtőközeg használata esetén a készüléket jól szellőző helyen kell tárolni, ahol a helyiség mérete megegyezik a készülék üzemeltetésére előírt terület méreteivel.

Az R32 hűtőközeget használó készülék-modellek esetén:

A készüléket olyan helyiségben kell felszerelni, használni és tárolni, amelynek hasznos területe meghaladja a 4 m²-t. A készüléket nem szabad nem megfelelően szellőző helyre telepíteni, ha ez a tér kisebb, mint 4 m².

Az R290 hűtőközeggel rendelkező modellek esetében a minimális szükséges helyiségméret:

A >9000Btu/h készülékek: 13m²

A >9000Btu/h és ≤12000Btu/h készülékek: 17m²

A >12000Btu/h és ≤18000Btu/h készülékek: 26m²

A >18000Btu/h és ≤24000Btu/h készülékek: 35m²

- Az újrafelhasználható mechanikus csatlakozók és az újrafelhasználható peremes csatlakozások nem engedélyezettek (az EN szabvány követelményei).
A beltéri használatú mechanikus csatlakozók szivárgási sebességének legfeljebb 3 g / évnek kell lennie, a 25% maximálisan megengedett nyomás mellett. Amennyiben a mechanikus csatlakozók beltéri újrafelhasználásra kerülnek, a tömítő alkatrészeket fel kell újítani. Amennyiben a peremes csatlakozók beltéri újrafelhasználásra kerülnek, a peremes részt újra kell gyártani (az UL szabvány követelményei).
Amennyiben a mechanikus csatlakozók beltéri újrafelhasználásra kerülnek, a tömítő alkatrészeket fel kell újítani. Amennyiben a peremes csatlakozók beltéri újrafelhasználásra kerülnek, a peremes részt újra kell gyártani (az IEC szabvány követelményei).
- A beltéri mechanikus csatlakozóknak meg kell felelniük az ISO 14903 szabványnak.

A készülék felszámolására vonatkozó figyelmeztetések

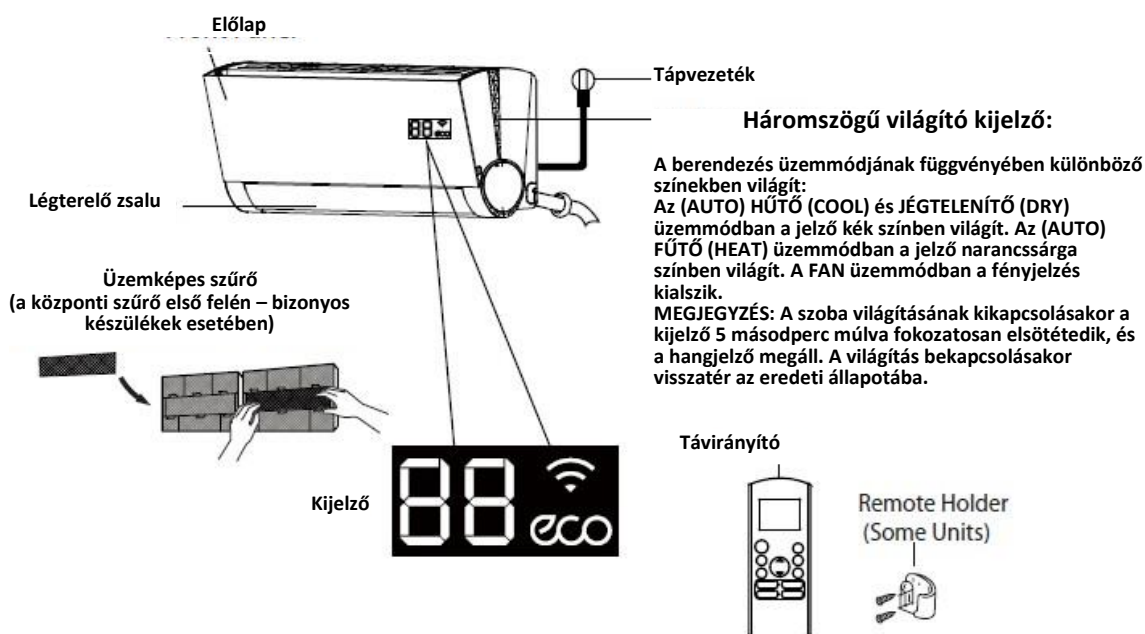
Ez a készülék hűtőközeget és egyéb potenciálisan veszélyes anyagokat tartalmaz. A készülék ártalmatlanításához a vonatkozó jogszabályok különleges gyűjtést és kezelést írnak elő. Ne ártalmatlanítsa a terméket háztartási vagy kommunális hulladékként.

Az eszköz eltávolításakor a következő lehetőségek állnak rendelkezésre:

- A készüléket elektronikai hulladékkezelő központban ártalmatlanítsa.
- Egy új eszköz vásárlásakor az eladó díjmentesen átveszi a régi készüléket.
- A gyártó ingyenesen átveszi a régi készüléket.
- Adja el a készüléket a fémhulladékkal foglalkozó hivatalos vállalatoknak.

Ennek a készüléknek az erdőben vagy más természetes környezetben történő elhelyezése veszélyezteti egészségét és káros hatással van a környezetre. A veszélyes anyagok a talajvízbe szivároghatnak és bejuthatnak az élelmiszerláncba.

IV. LEÍRÁS



A KIJELEZT KÓDOK JELENTÉSE

ON – 3 másodpercig világít:

- a TIMER be van kapcsolva (ha a készülék ki van kapcsolva, akkor az „On” szimbólum továbbra is megjelenik, ha a TIMER be van kapcsolva)
- a FRESH, SWING, TURBO vagy SILENCE funkciók be vannak kapcsolva

OF – 3 másodpercig világít:


- a KIKAPCSOLT IDŐZÍTÉS (TIMER OFF) üzemmódban
- a FRISÍTŐ, REZGŐ, TURBO (FRESH, SWING, TURBO) vagy CSENDES (SILENCE) funkciók ki vannak kapcsolva

cF – a hűtés gátló funkció működésekor világít


dF – a jégtelesenítő művelet alatt világít

SC – öntisztító funkció működése közben (bizonyos modelleknél)

FP – amikor a fűtési funkció 8 ° C-on aktív van (bizonyos modelleknél)

 - akkor világít, amikor a WIFI hálózaton keresztül működik az ellenőrző funkció

 - akkor világít, amikor az ECO funkció működik

 Megjeleníti a hőmérsékletet, az üzemmódot és a hibakódokat.

A VENTILÁTOR (FAN) üzemmódban az egység kijelzi a szoba hőmérsékletét.

A szoba világításának kikapcsolásakor a kijelző fokozatosan elsötétül, és beindul a hangos jelzőberendezés. A világítás bekapcsolásakor a készülék visszatér a normális állapotra. Más üzemmódokban az egység kijelzi a beállított hőmérsékletet.

MEGJEGYZÉS: Az előlap és a kijelző modelltől függően eltérő lehet. Előfordulhat, hogy a megvásárolt készülék nem rendelkezik minden felsorolt alkalmazási lehetőséggel. Kérjük, ellenőrizze a megvásárolt beltéri készülék egységének kijelző képernyőjét az alábbiak érdekében:

A jelen kézikönyv illusztrációinak utasítás szerepük van. A belső egység valódi formája kissé eltérő lehet. A valódi forma tájékoztató jellegű.

OPTIMÁLIS TELJESÍTMÉNY ELÉRÉSE

A HŰTŐ, FŰTŐ és JÉGTELENÍTŐ (COOL, HEAT és DRY) üzemmódok optimális teljesítményei az alábbi hőmérsékleti intervallumokban érhetők el. Ha a légkondicionáló készüléket ezen időközön kívül használják, akkor bizonyos védelmi funkciók aktiválódnak, amelyek azt eredményezhetik, hogy az egység kevésbé optimálisan működjön.

	A COOL (HŰTÉS) mód	A HEAT (FŰTÉS) mód	A DRY (PÁRAMENTESÍTŐ) mód
A szoba hőmérséklete	17°C - 32°C (62°F - 90°F)	0°C - 30°C (32°F - 86°F)	10°C - 32°C (50°F - 90°F)
Kültéri hőmérséklet	0°C - 50°C (32°F - 122°F)	-15°C - 30°C (5°F - 86°F)	0°C - 50°C (32°F - 122°F)
	-15°C - 50°C (5°F - 122°F) (Az alacsony hőmérsékletű hűtőrendszerekkel rendelkező típusoknál.)		
	0°C - 52°C (32°F - 126°F) (A speciális típusú eszközök.)		0°C - 52°C (32°F - 126°F) (A speciális típusú eszközök.)

PÓT MELEGÍTŐVEL ELLÁTOTT KÜLSŐ EGYSÉGEKHEZ

Ha a külső hőmérséklet 0 ° C (32 ° F) alatti, a működés optimális feltételeinek biztosítása érdekében tartsa a készüléket állandóan csatlakoztatva tápvezetékhez.

A rögzített sebességű modellek esetén

	A COOL (HŰTÉS) mód	A HEAT (FŰTÉS) mód	A DRY (PÁRAMENTESÍTŐ) mód
A szoba hőmérséklete	17°C-32°C (62°F-90°F)	0°C-30°C (32°F-86°F)	10°C-32°C (50°F-90°F)
Kültéri hőmérséklet	18°C-43°C (64°F-109°F)	-7°C-24°C (19°F-75°F)	11°C-43°C (52°F-109°F)
	-7°C-43°C (19°F-109°F) (Az alacsony hőmérsékletű hűtőrendszerekkel rendelkező típusoknál.)		18°C-43°C (64°F-109°F)
	18°C-52°C (64°F-126°F) (A speciális típusú eszközök.)		18°C-52°C (64°F-126°F) (A speciális típusú eszközök.)

MEGJEGYZÉS: A helyiség relatív páratartalmának 80% alatt kell lennie. Ha a légkondicionáló olyan helyiségben működik, ahol a relatív páratartalom meghaladja ezt a szintet, az elősegítheti a páralecsapódás jelenlétét. Javasoljuk, hogy a szellőzőnyílást függőlegesen állítsa be a maximális szöghöz (függőlegesen a padlóra) és állítsa a ventilátor sebességfokozatát a legnagyobb sebességre (HIGH).

Készüléke teljesítményének optimalizálásáért kövesse az alábbi tanácsokat:

- Tartsa csukva az ajtókat és ablakokat.
- A BE és KI IDŐZÍTŐ (TIMER ON és TIMER OFF) funkciók használatával csökkentse a villanyáram fogyasztást.
- Ne zárja el a levegő bemeneti és kimeneti nyílásait.
- Időnként ellenőrizze és tisztítsa ki a szűrőket.

A JELEN KÉZIKÖNYV ILLUSZTRÁCIÓINAK UTASÍTÁS SZEREPÜK VAN. A BELSŐ EGYSÉG VALÓDI FORMÁJA KISSÉ ELTÉRŐ LEHET. A VALÓDI FORMA TÁJÉKOZTATÓ JELLEGŰ.

• **Automatikus újraindítás**

A villanyáram ellátás megszűnésekor a készülék automatikusan újraindul, megtartva a beállításokat a villanyáram ellátás visszaállításakor.

• **A világítás intelligens észlelése**

A szoba világításának kikapcsolásakor a kijelző és a háromszögű világítójelző 5 másodperc után fokozatosan elsötétedik, és a hangjelző megáll. A világítás bekapcsolásakor a készülék visszatér az eredeti állapotába.

MEGJEGYZÉS: Erőteljes szobavilágításnál a kijelző és a háromszögű világító jelző bekapcsolva marad. Gyenge szobavilágításnál a kijelző bekapcsolásáért/kikapcsolásáért megnyomhatja a távirányító LED gombot.

• **Wi-Fi hálózaton keresztül történő ellenőrzés**

A Wi-Fi hálózaton keresztül történő ellenőrző funkcióval lehetővé válik a légkondicionáló készülék ellenőrzése egy hordozható telefon és egy Wi-Fi kapcsolódás segítségével. Az USB-eszköz alkatrészeinek kicserélési és karbantartási munkálatait csak szakképzett személyzet végezheti.

A légtelítő zsalu szögének megjegyzése (egyes típusoknál)

A készülék elindításakor a légtelítő zsalu automatikusan visszatér az előzőleg kiválasztott szögbe.

A hűtőanyag vesztés észlelése

Hűtőfolyadék vesztés észlelésekor a belső egység „EC” vagy "ELOC" jelzése automatikusan világítani kezd.

• **Légáram beállító intelligens rendszer**

A készülék HŰTŐ (COOL) vagy AUTOMATIKUS (AUTO) üzemmódjában a távirányító SWING gombjának megnyomása után az egység kényelmes érzést keltő csendes és komfortos légáramot szolgáltat.

Készüléke kiterjesztett funkcióival kapcsolatos magyarázatokért (amilyen a TURBO üzemmód vagy az öntisztító funkció) tanulmányozza a távirányító használati kézikönyvét.

• **A légáramlás irányának ellenőrzése**

A légáram függőleges beállítása

A készülék működése alatt a légáramlás irányának (függőleges szög) beállításához használja a REZGŐ/DIREKT (SWING /DIRECT) gombot.

1. A légtelítő zsalu elindításáért nyomja meg egyszer a FOLYAMATOS LÉGTRELÉS/FÜGGŐLEGES LÉGTRELÉSI IRÁNY (SWING /DIRECT) gombot. A gomb mindenik megnyomásakor a légtelítő zsalu 6°-os szögben elmozdul. Addig nyomja a gombot, amíg a kívánt irány kiválasztotta.

2. A légtelítő zsalu függőlegesen való lengéséért nyomja meg és tartsa benyomva 3 másodpercig a SWING /DIRECT gombot. A funkció kikapcsolásáért nyomja meg újra a gombot.

A légáram vízszintes beállítása

A légáram vízszintes beállítását kézzel végezze és állítsa a kívánt irányba.

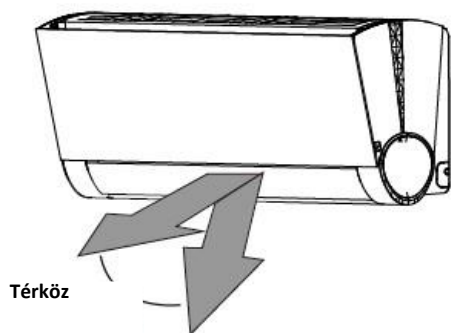
Egyes készülékeknél a légáram vízszintes szögét a távirányítóval állíthatja be. Kérjük, tanulmányozza a távirányító kézikönyvét.

• A légtelítő zsalu szögeire vonatkozó megjegyzés

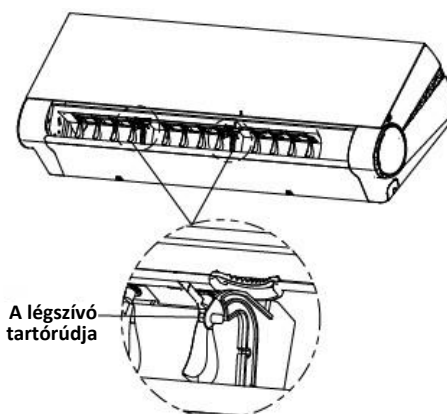
Ne használja sokáig a légkondicionáló berendezést lefelé irányított légárammal a HŰTŐ (COOL) vagy a JÉGTELENÍTŐ (DRY) üzemmódban. Ellenkező esetben kondenzvíz jelenhet meg a légtelítő zsalu lemezén, és a nedvesség a padlóra vagy a bútorra juthat.

A készülék HŰTŐ (COOL) vagy JÉGTELENÍTŐ (DRY) üzemmódban történő működésekor a légáramlás lefelé való irányítása csökkentheti a készülék teljesítményét a mérsékelt légáramlás miatt.

Ne mozgassa el kézzel a légtelítő zsalu lemezeit, mert ez a légtelítő zsalu egybehangelésének elvesztéséhez vezet. Ilyen esetben pár másodpercig állítsa meg a készüléket, csatlakoztassa le a tápvezetékéről, majd indítsa újra. Ez a művelet visszaállítja a légtelítő zsalut.



Figyelem: Ne használja sokáig a légkondicionáló berendezést lefelé irányított légárammal. Ez a kondenzvíz bútorra való kifolyását okozhatja.



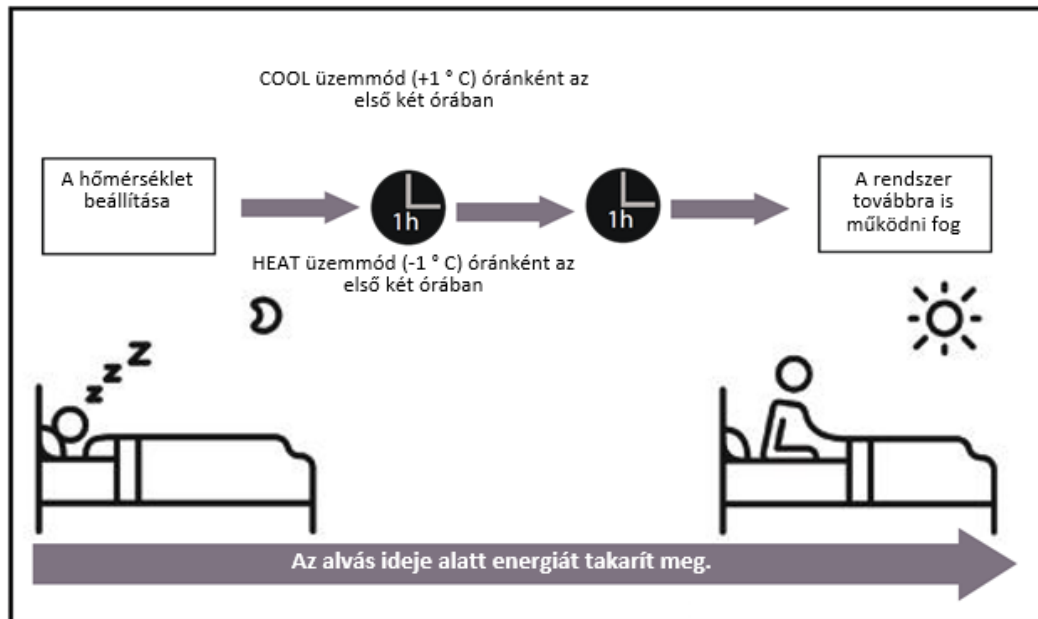
FIGYELEM!

Ne helyezze ujjait vagy tárgyakat a készülék befúvó vagy kifúvó nyílásaiba. A készülék belsejében lévő ventilátor a sebesülését okozhatja.

A SLEEP (standby) takarékos, éjszakai üzemmódban való működés

A SLEEP funkciót használja a villanyáram fogyasztás csökkentésére, mialatt Ön alszik (és nincs szüksége ugyanazon hőmérsékleti beállításokra ahhoz, hogy kényelmesen érezze magát). Ezt a funkciót csak a távirányító segítségével állíthatja be. Nyomja meg a SLEEP gombot lefekvés előtt. A HÚTÓ (COOL) üzemmódban az egység megnöveli a hőmérsékletet 1°C fokkal (2°F) (1 óra múlva) és még 1°C fokkal (2°F) újabb 1 óra elteltével. A FŰTŐ (HEAT) üzemmódban az egység csökkenti a hőmérsékletet 1°C fokkal (2°F) (1 óra múlva) és még 1°C fokkal (2°F) újabb 1 óra elteltével.

A SLEEP funkció 8 óra múlva kikapcsol, és a rendszer továbbra is az előző beállításokkal működik.



Megjegyzés: A SLEEP funkció nem érhető el a CSAK VENTILLÁTOR (FAN) vagy a JÉGTELENÍTŐ (DRY) üzemmódban

A készülék távirányító nélküli használata

A távirányító nem működése esetén a készüléket kézi vezérléssel is működtetheti a belső egységben található KÉZI VEZÉRLÉS gomb segítségével. Kérjük, jegyezze meg, hogy a kézi vezérlés nem jelent hosszú távú megoldást, és a távirányító használata a legajánlottabb megoldás.

A KÉZI VEZÉRLÉS ELŐTT

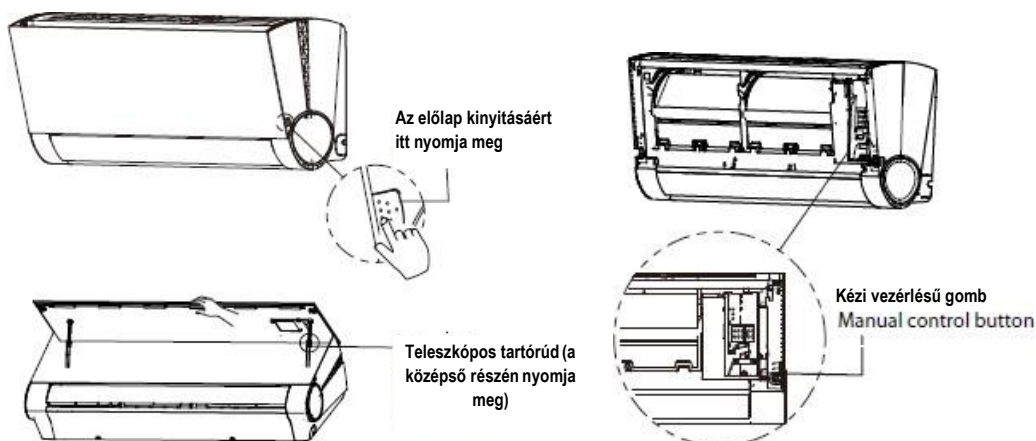
A kézi vezérlés előtt a KAPCSOLJA KI a készüléket.

A készülék kézi vezérléséhez az alábbiak szerint járjon el:

1. Nyomja meg a belső egység oldalain lévő gombokat, majd emelje fel az előlapot, és rögzítse a teleszkópos tartórúddal.
2. Keresse meg az egység jobb oldalán található KÉZI VEZÉRLÉS gombot. Nyomja meg az ujjával vagy egy golyóstoll hegyével a beépített gombot.
3. Az AUTO üzemmód erőltetett működésbe hozásáért nyomja meg egyszer a KÉZI VEZÉRLÉS gombot.
4. A HŰTŐ (COOLING) (hűtés) üzemmód erőltetett működésbe hozásáért nyomja meg újra a KÉZI VEZÉRLÉS gombot.
5. Az egység kikapcsolásáért nyomja meg harmadszor a KÉZI VEZÉRLÉS gombot.
6. Az előlap becsukásához tartsa meg kezével az előlapot, és nyomja meg a teleszkópos tartórúd közepét.

FIGYELEM!

A kézi vezérlésű gombot csak tesztelési célokra és a távirányító nem működése esetén használja. Kérjük, hogy ezt a funkciót csak a távirányító elvesztése vagy feltétlen szükség esetén használja. A normális működésre való visszatérés érdekében a készülék üzembe helyezésére használja a távirányítót.



VII. TISZTÍTÁS ÉS KARBANTARTÁS

TISZTÍTÁS ELŐTT

TISZTÍTÁS VAGY KARBANTARTÁS ELŐTT MINDIG KAPCSOLJA KI ÉS ÁRAMTALANÍTSA A LÉGKONDITIONÁLÓ KÉSZÜLÉKET.

MEGJEGYZÉS: Áramtalanítani a belső egység tisztítása előtt szükséges.

FIGYELEM!

Törölje meg a készüléket egy puha és száraz ronggyal. Ha a készülék nagyon mocskos, meleg vízbe mártott ronggyal törölje meg.

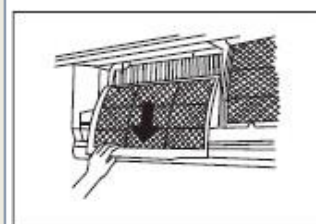
- A készülék tisztításához ne használjon kémiai anyagokat vagy Vegyszerekbe mártott rongyot.
- A tisztításhoz ne használjon benzint, oldószert, fényezőport vagy hasonló oldóanyagokat, mert ezek az anyagok a műanyag felület megrepedését és elferdülését okozhatják.
- Az előlap tisztításához ne használjon 40°C/104°F foknál nagyobb hőmérsékletű vizet, mert ez az előlap elferdülését és elszíneződését okozhatja.

A légszűrő tisztítása

Az eldugult légszűrő csökkenti a készülék hűtési teljesítményét, és az Ön egészségére is ártalmas lehet. Kéthetente egyszer tisztítsa ki a szűrőt.

1. Nyomja meg a belső egység oldalain található gombokat, majd emelje fel az előlapot, és rögzítse a tartóúddal.
2. Fogja meg a légszűrő fogantyúját, lassan emelje fel, hogy kiemelhesse a tartójából, majd óvatosan húzza maga felé
3. Húzza lefelé, hogy kivehesse a szűrőt.
4. Ha a központi szűrő egy légfrissítő szűrővel van ellátva, vegye ki a központi szűrőből. Egy hordozható porszívó segítségével tisztítsa ki a légfrissítő szűrőt.
5. Vízzel és szappannal tisztítsa meg a központi szűrőt. Bizonyosodjon meg arról, hogy egy gyengébb mosószert használ.
6. Öblítse ki tiszta vízzel a szűrőt, majd távolítsa el a fölösleges vizet.
7. Hagyja szellős és száraz helyen megszáradni; a szűrőt ne tegye ki közvetlen napsugárzásnak.
8. A szűrő megszáradása után a légfrissítő szűrőt fogassa a központi szűrőre, majd az utóbbit helyezze be a belső egységbe.

MEGJEGYZÉS: A tisztítás után csatlakoztassa a készüléket a tápforráshoz.





FIGYELEM!

- Az egység megállása után legalább 10 percig ne érintse a légfriessítő (plazmás) szűrőt.
- A szűrő kicserélése vagy a tisztítási műveletek előtt kapcsolja ki és áramtalanítsa a készüléket.
- A szűrő eltávolításakor ne érintse az egység belsejében található fém alkatrészeket. Az éles fémperemek sérülést idézhetnek elő.
- A légkondicionáló készülék belsejének tisztításához ne használjon vizet. A készülék vízzel való érintkezése következtében megrongálódhat a szigetelés és áramütést idézhet elő.
- Ne tegye ki a szűrőt közvetlen napsugárzásnak. Ez a szűrő összehúzódásához vezethet.

A légszűrő emlékeztető funkciói (választható)

A légszűrő tisztításának emlékeztető funkciója

240 órás üzemmód után a belső egység képernyőjén megszakításokkal villogni kezd a „CL” jelzés. Ez a funkció a szűrő tisztítására vonatkozó emlékeztetés. 15 másodperc múlva az egység visszatér az előző kijelzésre.

A funkció visszaállításáért nyomja meg 4-szer a távirányító LED gombját vagy 3-szor a KÉZI VEZÉRLÉS gombot. Ha nem állítja vissza a funkciót, a készülék újraindításakor a „CL” feliratú jelzés villogni kezd.

A légszűrőcserére emlékeztető funkció

2880 órás üzemmód után a belső egység képernyőjén megszakításokkal villogni kezd az „nF” feliratú jelzés. Ez a funkció a légszűrőcserére vonatkozó emlékeztetés. 15 másodperc múlva az egység visszatér az előző kijelzésre.

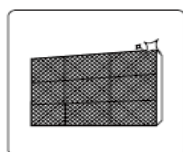


FIGYELEM!

- A belső egység karbantartásával és tisztításával járó minden műveletet a forgalmazónak vagy a szakszerviz képviselőjének kell elvégeznie.
- Az egység javításával járó minden műveletet a forgalmazónak vagy a szakszerviz képviselőjének kell elvégeznie.

Karbantartás – Hosszú használaton kívüli időszakok

A készülék hosszabb ideig tartó szüneteltetése esetén végezze el az alábbi műveleteket:



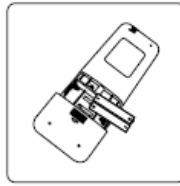
Tisztítsa ki mindenik szűrőt



Hagyja üzemmódban a VENTILLÁTOR(FAN) funkciót az egység teljes kiszáradásáig



Állítsa le és áramtalanítsa az
egységet



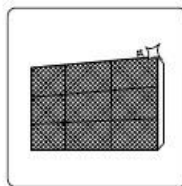
Vegye ki az elemeket a
távírányítóból

Karbantartás – Használat előtti ellenőrzések

Hosszabb szüneteltetés vagy gyakori használati periódusok után az alábbi műveleteket végezze el:



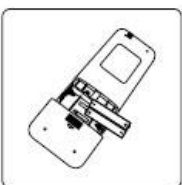
Ellenőrizze a meghibásodott
szálakat



Tisztítsa ki mindenik szűrőt



Ellenőrizze a légkiáramlást



Cserélje ki az elemeket



Bizonyosodjon meg, hogy, a légbevezető és a kivezető nyílások
nincsenek elzárva.

VIII. HIBAELEHÁRÍTÁS



BIZTONSÁGI INTÉZKEDÉSEK

Azonnal kapcsolja ki a készüléket BÁRMELYIK alábbi helyzet előfordulásakor!

- A tápvezeték meghibásodott vagy különösen forró
- Égett szagot érez
- Az egység erős vagy különös zajokat bocsát ki
- Túl gyakran kiég egy biztosíték vagy kioldódik egy kikapcsoló
- Az egységbe/egységből víz vagy más tárgyak estek be/ki.

NE PRÓBÁLJA SAJÁT FELELŐSSÉGÉRE MEGJAVÍTANI EZEKET A MEGHIBÁSODÁSOKAT!

AZONNAL LÉPJEN KAPCSOLATBA EGY ILLETÉKES SZAKSZERVIZSEL!

HIBA	OK
Az egység nem indul el a BE/KIKAPCSOL (PORNIRE / OPRIRE) gomb megnyomásával	A túlterhelés elleni védelem érdekében a készülék egy olyan védőelemmel van ellátva, amely 3 percig megakadályozza működésbe hozását. A készülék nem indítható újra kikapcsolása után 3 percig.
Az egység átvált a HÚTÓ/FŰTŐ (COOL/HEAT) üzemmódból a FAN üzemmódba	A készülék az egységen való jég kialakulásának megelőzése érdekében megváltoztathatja az üzemmódot. A hőmérséklet növekedésével egy időben az egység az előzetesen kiválasztott üzemmódban kezd el működni.
	A kiválasztott hőmérsékleti érték elérésekor a készülék megállítja a kompresszort. A hőmérséklet változásakor az egység elkezd újra működni.
A belső egységből fehér vízgőz távozik	Nedves helyeken a szoba hőmérséklete és a kondicionált levegő közti nagy hőmérsékletkülönbség fehér színű vízgőz kibocsátást idézheti elő.
A belső és külső egységből fehér vízgőz távozik	Amikor az egység a jégtelenítési művelet után a FŰTŐ (HEAT) üzemmódban indul újra, a fehér vízgőz a jégtelenítési művelet következményeként képződhet.
A belső egység zajt bocsát ki	A légterelő zsalu lemezének eredeti helyzetbe való visszatérésekor egy sípoló hang kibocsátása lehetséges.
	Az egység FŰTŐ (HEAT) üzemmódban való működése után az egység műanyag elemeinek kitágulása és összehúzódása által okozott csikorgó zaj hallatszódnak.
A belső vagy a külső egység zajt bocsát ki	Működés közben hallatszó mérsékelt erősségű zúgás: A hűtőanyagnak a belső és külső egységen keresztül történő folyása által okozott természetes jelenség.
	A rendszer elindulásakor, közvetlen a leállítás után vagy a jégtelenítési folyamat alatt hallatszó mérsékelt erősségű zúgás: A hűtőanyag megállása vagy irányának megváltoztatása által okozott természetes zaj.
	Csikorgás: a műanyag és fém alkatrészek kitágulása és összehúzódása, amelyet az üzemmód alatti hőmérsékletváltozások okoznak, zajokat idézhet elő.
A külső egység zajt bocsát ki	Az egység a pillanatnyi működési rendszer függvényében különböző hangokat bocsát ki.
A belső vagy a külső egységből por száll ki	A készülék hosszabb ideig tartó nem üzemeltetése alatt az egységben por halmozódhat fel, amely a készülék üzembe helyezésekor kiáramlik. Ez a dolog a készülék hosszabb ideig tartó nem üzemeltetése alatti letakarásával mérsékelhető.

Az egység kellemetlen szagot áraszt	Az egység beszívhatja a közvetlen környezet szagait (mint a bútor, a főzés, a cigaretta stb. szaga), amelyeket működés közben kibocsát.
	Az egység szűrői megpenészedtek, és tisztítást igényelnek.
Nem működik a külső egység ventilátora	A készülék teljesítményeinek optimalizálása érdekében a ventilátor fordulatszáma ellenőrzött működés alatt.
A működés szabálytalan, nem megfelelő vagy a készülék nem reagál a parancsokra	Az erősítők és a mobiltelefon szolgáltató tornyok okozta interferencia az egység nem megfelelő működését okozhatja. Ebben az esetben végezze el az alábbi műveleteket: <ul style="list-style-type: none"> • Áramtalanítsa a készüléket, majd kapcsolja újra vissza. • A működés újraindításaért nyomja meg a távirányító BE / KI (ON / OFF) gombját.

HIBA	LEHETSÉGES OKOK	MEGOLDÁS
A hűtés nem hatékony	A kiválasztott hőmérséklet magasabb lehet, mint a környezeti hőmérséklet.	Válasszon ki egy alacsonyabb hőmérsékletet.
	A belső vagy külső egység hőcserélője bemocskolódott.	Tisztítsa ki a hőcserélőt.
	A légszűrő bemocskolódott.	Vegye ki a szűrőt, és az utasításoknak megfelelően tisztítsa ki.
	Az egységek bármelyikének bevezető és kijöveteli nyílásai elzáródtak	Kapcsolja ki a készüléket, hárítsa el elzáródás okát, és indítsa újra a készüléket
	Az ajtók és az ablakok nyitva vannak	Győződjön meg, hogy a készülék működése alatt minden ajtó és ablak be van csukva.
	A napsugárzás túlzott meleget termel	Meleg időben vagy erős napsütéskor csukja be az ajtókat és ablakokat.
	Nagyon sok hőforrás található a szobában (személyek, számítógépek, elektromos készülékek stb.)	Csökkentse a hőforrások számát.
	Csökkent mennyiségű hűtőanyag a kiáramlás vagy hosszabb használatból kifolyólag	Ellenőrizze a hűtőanyag kiáramlást, csinálja újra a tömitéseket (szükség esetén) és pótolja a hűtőanyag mennyiségét
Működik a CSENDES (SILENCE) funkció	A CSENDES (SILENCE) funkció a működés gyakoriságának csökkentése által csökkentheti a termék teljesítményét. Kapcsolja ki a CSENDES (SILENCE) funkciót.	
Az egység nem működik	Áramellátás megszakadása	Várja meg az áramellátás helyreállítását.
	A készülék megállt	Kapcsolja be a készüléket.
	A biztosíték kiegészítve	Cserélje ki a biztosítékot.
	Elhasználódtak a távirányító elemei	Cserélje ki az elemeket.
	Működik a 3 perces védelem	A készülék újraindítása után várjon 3 percet.
	Működik az időzítő	Állítsa meg az időzítőt.

Az egység gyakran működik és áll meg	A rendszer hűtőanyagának mennyisége túl sok vagy túl kevés	Ellenőrizze a hűtőanyag kiáramlását, és töltsen fel a rendszert hűtőanyaggal.
	Az egységbe összenyomhatatlan gáz vagy nedvesség került	Ürítse ki a rendszert, és töltsen fel hűtőanyaggal.
	A kompresszor meghibásodott	Cserélje ki a kompresszort.
	A feszültség túl nagy vagy túl alacsony	A feszültség szabályozása érdekében szereljen fel egy nyomásszabályzót.
A fűtés nem hatékony	A külső hőmérséklet 7°C (44,5°F) alatti	Használja a pót fűtőberendezést.
	Az ajtókon és ablakokon keresztül levegő áramlik be	Győződjön meg arról, hogy a készülék működése alatt minden ajtó és ablak be van csukva.
	Áramlás vagy hosszas használat miatti kevés hűtőanyag mennyiség	Ellenőrizze a hűtőanyag áramlást, cserélje ki a tömítéseket (szükség esetén) és pótolja a hűtőanyag mennyiséget.
A világító jelzések továbbra is villognak	Az egység kikapcsolhat vagy továbbra is biztonságos körülmények közt működhet. Ha a világító jelzések továbbra is villognak vagy hibakódok jelennek meg, várjon körülbelül 10 percig. A zavar önmagától is megoldódhat. Ellenkező esetben, csatlakoztassa le az egységet a tápforrásról, majd csatlakoztassa vissza. Ha a zavar továbbra is fennáll, áramtalanítsa a készüléket, és lépjen érintkezésbe a legközelebbi szakszervizzel.	
A belső egység képernyője hibakódokat jelez ki: • E0, E1, E2... • P1, P2, P3... • F1, F2, F3...		

MEGJEGYZÉS: Ha a probléma a fenti ellenőrzések elvégzése után is fennáll, azonnal kapcsolja ki a készüléket, és vegye fel a kapcsolatot egy szakszervizzel..

FIGYELEM

Ha az ALÁBB FELSOROLTAK közül bármelyiket tapasztalja, azonnal állítsa le a berendezést!

- A tápvezeték megrongálódott vagy nagyon forró.
- Égett szagot érez.
- A berendezés erős vagy különös zajt bocsát ki.
- A biztosíték gyakran kiég, vagy az áramközi megszakító gyakran lekapcsol.
- Az egységbe/ből víz vagy idegen anyag kerül be/ki.

 **NE PRÓBÁLJA EZEKET A HIBÁKAT KIJAVÍTANI!
VEGYE FEL A KAPCSOLATOT EGY SZAKSZERVIZZEL**

X. MŰSZAKI ADATOK

Típus	HAC-12OWF-BK	HAC-12OWF-GD	HAC-09OWF-BK
Áramellátás	1208-1340 W	1208-1340 W	712-771 W
Feszültség	220-240V, 50Hz	220-240V, 50Hz	220-240V, 50Hz
Hűtőképesség	12000 BTU	12000 BTU	9000 BTU
Zajszint	50 /63 dB	50 / 63 dB	50/63 dB
Szín	czarny	aranysárga	czarny



A hulladékok környezetfelelős eltávolítása

Segíthet a környezet védelmében!

Kérjük, tartsa be a helyi rendelkezéseket: a nem működő elektromos berendezéseket a használt elektromos hulladékokat gyűjtő központba szolgáltatassa be.



A HEINNER a Network One Distribution SRL(KFT) társaság által bejegyzett védjegy. A többi márkajelzés és a termékek megnevezése kereskedelmi vagy az illető birtoklók által bejegyzett márkanevek.

A műszaki leírások egyik része sem reprodukálható semmilyen formában és semmilyen módon, és nem használható fel fordításra, átváltoztatásra vagy alkalmazásra a NETWORK ONE DISTRIBUTION társaság előzetes bejegyzése nélkül.

Copyright © 2013 Network One Distribution. Minden jog fenntartva.

www.heinner.com, <http://www.nod.ro>
<http://www.heinner.com>, <http://www.nod.ro>



A terméket az Európai Közösség előírásainak és jogszabályainak megfelelően tervezték és gyártották.